

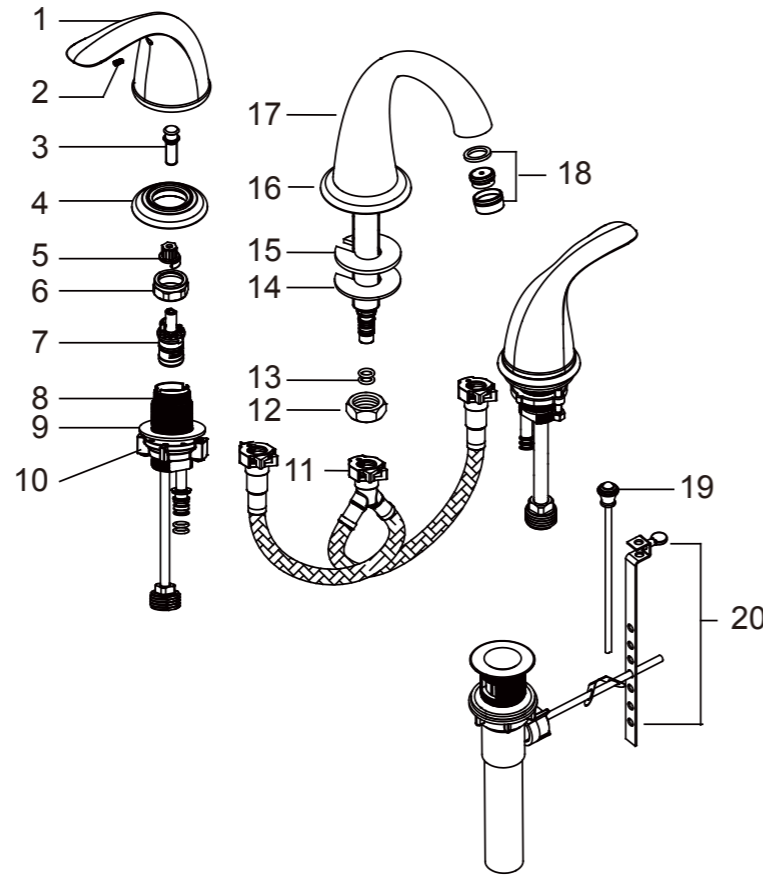
UF55010
UF55013
UF55015

VANTAGE Series

Two Handle Lavatory Faucet



NO.	Description	Part No.
1	Handles	07219
2	Screws	00815
3	Bolt	07218
4	Flange	06610
5	Inverter H & C	06628 & 06629
6	Bonnet	04009
7	Cartridge	06840
8	Body assembly	D06652
9	Metal washer	06614
10	Mounting nut	22827
11	X-Over hose	28858
12	Nut	06606
13	O-Ring	08687
14	Metal washer	06605
15	Rubber washer	06631
16	Spout flange	22803
17	Spout	D22804
18	Aerator assembly	A33121
19	Lift rod	07204
20	Pop-Up assembly	30003



Installation/Installation/Instalación

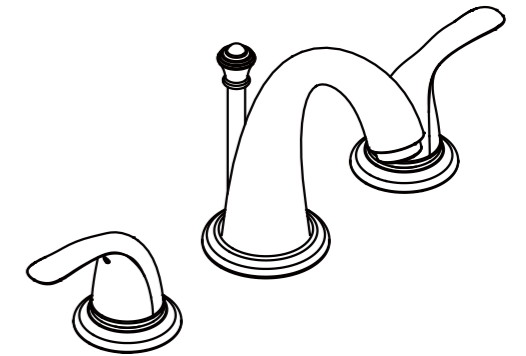
CUSTOMER SERVICE

TOLL-FREE 1-888-OK-ULTRA (658-5872)

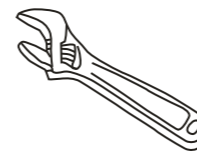
UF55010 - Chrome

UF55013 - Brushed Nickel

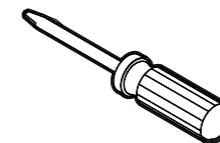
UF55015 - Oil Rubbed Bronze



Tools You Will Need / Outils dont vous aurez besoin / Herramientas necesarias



Adjustable Wrench
Clé à molette
Llave ajustable



Phillips Screwdriver
Tournevis Phillips
Destornillador cruciforme



Pipe Tape
Ruban pour tuyau
Cinta selladora para rosca



Groove joint pliers
Pince multiprise
Pinzas ajustables

Limited Lifetime Warranty

Ultra Faucets warrants to the original purchaser that its products will be free from defects in workmanship and materials. All Ultra Faucets are provided with a life time limited warranty. This warranty does not cover any other labor or service charges associated with the removal, repair, or reinstallation of Ultra Faucets products. This express warranty does not apply to products that have been damaged as a result of misuse, abuse, negligence, accident, faulty installation or maintenance practices and/or used in any manner contrary to those recommended by the manufacturer.

Need help? Please call our toll-free customer service line at 1-888-658-5872 for additional assistance or service.

Besoin d'aide? Veuillez communiquer avec notre service à la clientèle au numéro gratuit 1-888-658-5872 pour tous renseignements ou services complémentaires.

¿Requiere asistencia? Llame a nuestro Servicio al Cliente, sin costo, al 1-888-658-5872 para asistencia adicional o servicio.

SAFETY TIPS

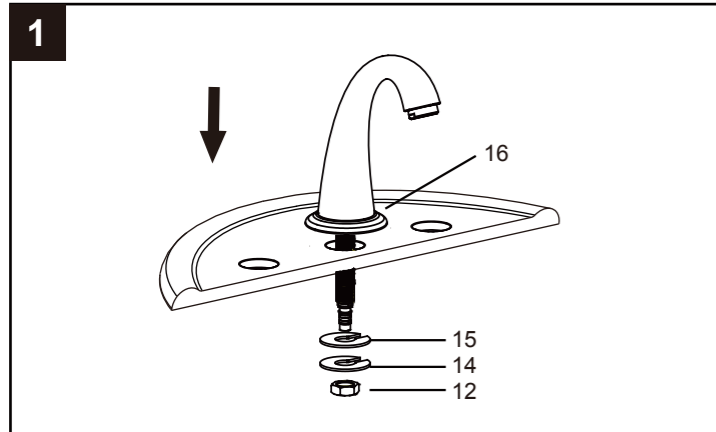
- If you use soldering for the installation of the faucet, the seats, cartridges and washers will have to be removed before using flame. Otherwise, warranty will be void on those parts.
- Cover your drain to avoid losing parts.
- 0°C~55°C.

CONSIGNES DE SÉCURITÉ

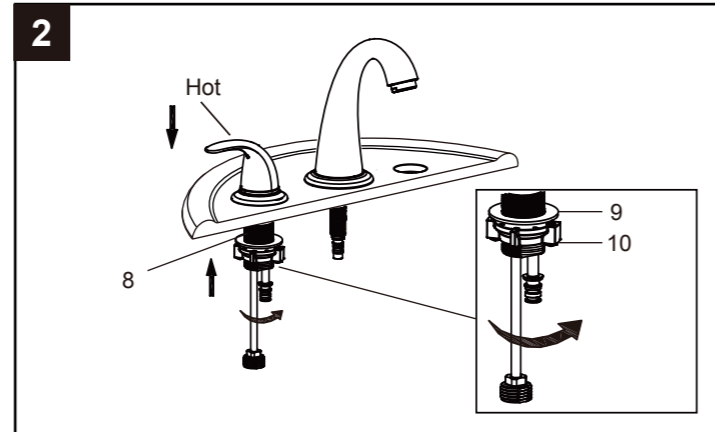
- Si vous posez le robinet par brasage, il est essentiel de retirer les sièges, les cartouches et les rondelles avant d'appliquer la flamme, faute de quoi la garantie sur ces pièces sera annulée.
- Couvrez le drain pour ne pas perdre des pièces.
- 0°C~55°C.

CONSEJOS DE SEGURIDAD

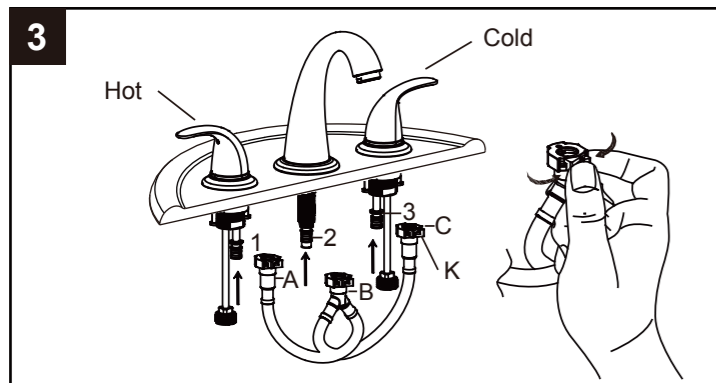
- En el caso de utilizar soldadura para instalar el grifo, remueva los asientos, cartuchos y arandelas antes de usar la llama. De lo contrario, se anulará la garantía para esos componentes.
- Tape la boca del desagüe para prevenir la pérdida de piezas pequeñas.
- 0°C~55°C.



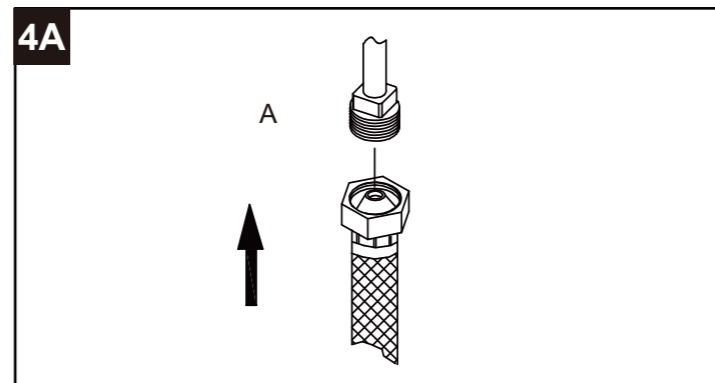
Place the spout flange(16) and spout into center hole (The hole diameter should be 1-3/8") of the sink.Under sink, secure firmly to sink with rubber washer(15),metal washer (14)and nut(12).



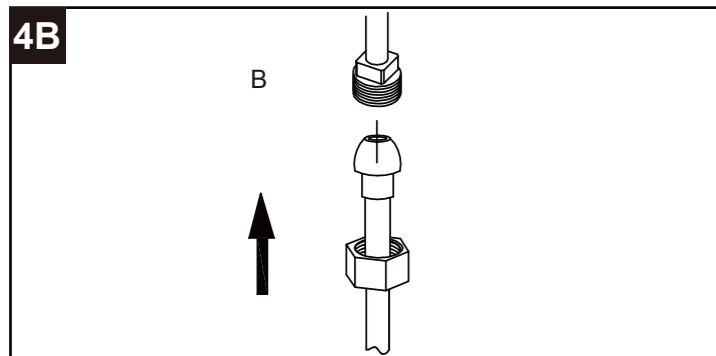
Insert the Valve body assembly(8) with the hot supply label is on the left (hot) side.Hold the body in the proper position. Assemble metal washer(9) and mounting nut(10) onto body underside of sink,tighten it with the locking screws.



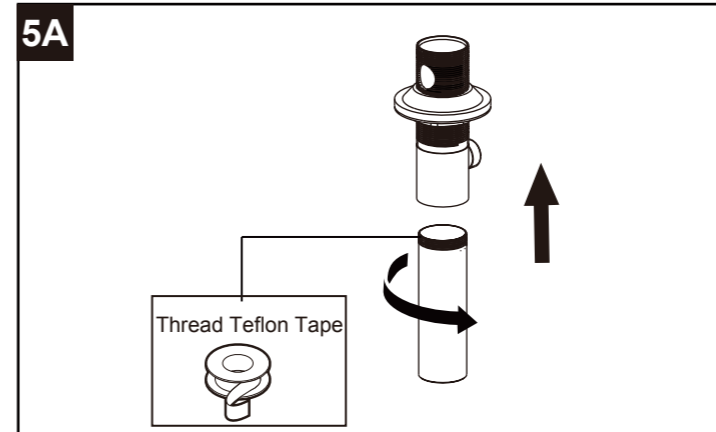
Align the blocks (1,2,3) and tabs (A,B,C) on the quick connects (K).Push the quick connects (K) firmly upward and snap onto the blocks (1,2,3).Pull down moderately to ensure each connection has been made.If it is necessary to remove the X-over hose,press on the tabs (A,B,C) and pull the quick connects (K) .



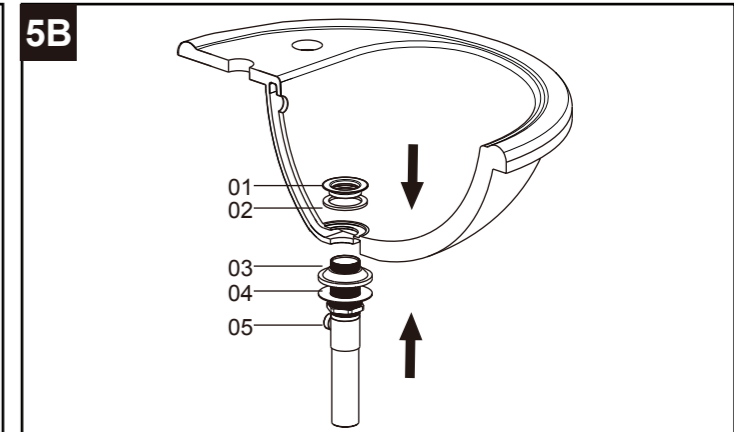
Stainless steel Braided Faucet supply Tubes:This the simplest of all installations.If you are using stainless steel braided faucet supply tubes,this faucet requires one end of the supply tube to have a 1/2" female IPS connection.The other end of this supply tube must match the thread on the water supply fittings or shut off valve under your sink.Once you have identified the required tube,carefully follow the manufacture's installations instructions for each tube.



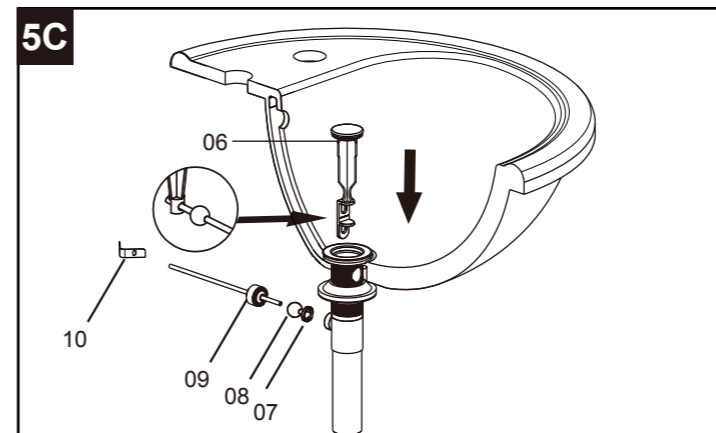
Ball Nose Flexible Supplies: If you are using ball-nose flexible supplies to connect the faucet to water supply lines; Slip coupling nut behind ball-nose of flexible supply tube. Ball nose coupling will go Partially into IPS shank or fitting. Tighten coupling nut (DO NOT OVER TIGHTEN). Install opposite end according to manufacture's instructions for both tubes.



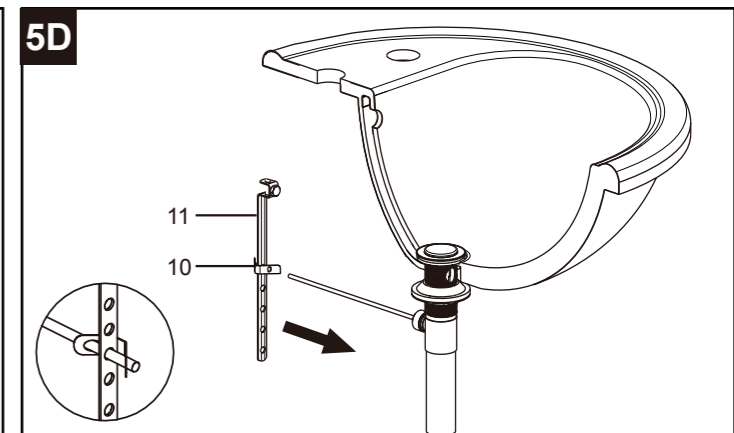
Apply teflon tape to the Tub and thread on the drain plug.



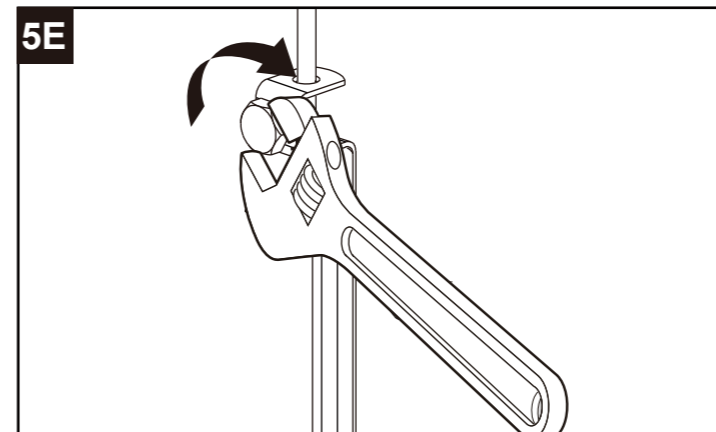
a.Remove flange(01),rubber wahser(02),from thepop-up assembly.
b.Put the pipe body(05) into the sink hole,install the rubber wahser(03),tighten the mounting nut(04) use wrench.



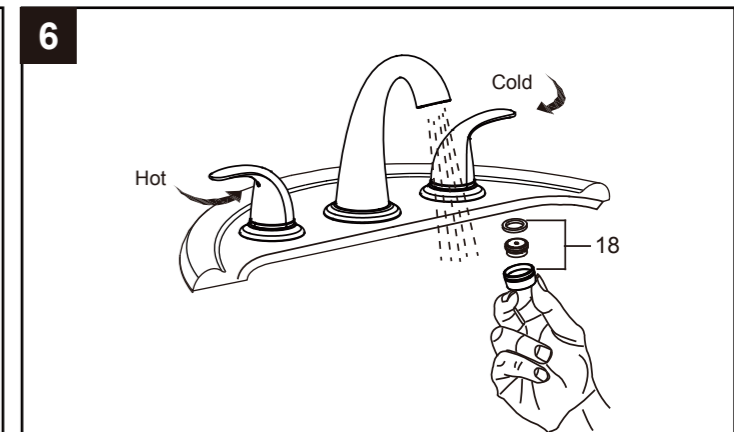
Unscrew the nut(09) from the pipe body,retain the white washer(07), then take off the spring clip(10) from the ball rod(08).insert the stopper(06),insert the ball rod into the side hole of drain,slide the nut on and tighten securely.



Install the spring clip(10) on the ball rod,simultaneously, insert the linker(11).



Tighten the Screw pull Lift Rod and The Splint.



Remove aerator assembly(18). Loosen aerator shell with adjustable wrench. Remove aerator and aerator washer. Turn water on for 1 minute to remove any debris. Reassemble aerator assembly(18).