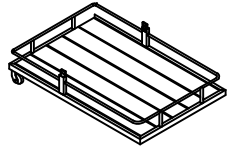
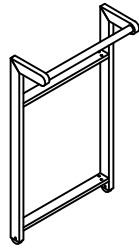


Trolley



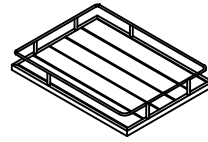
A: 1PC



B: 1PC



C: 2PCS



D: 1PC



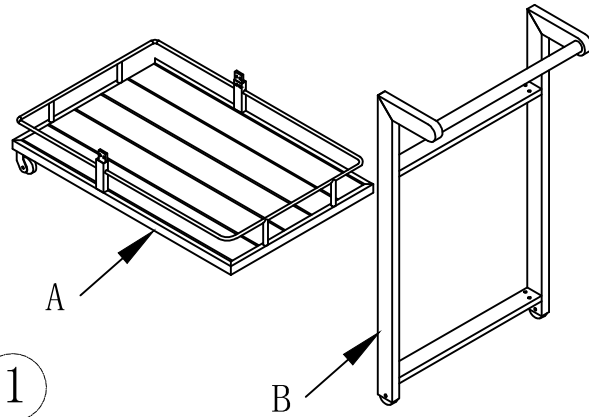
E: M6*35*8PCS



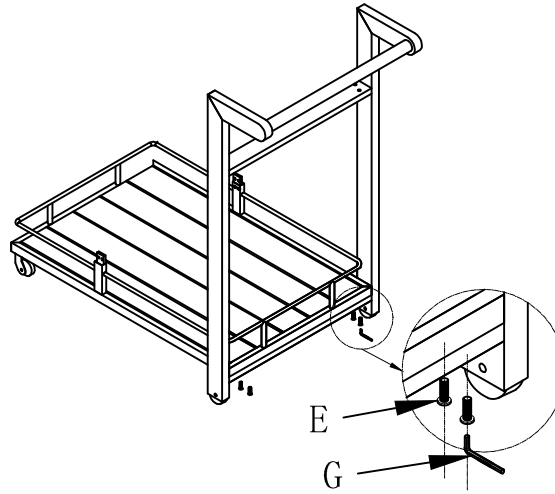
F: M6*10*8PCS



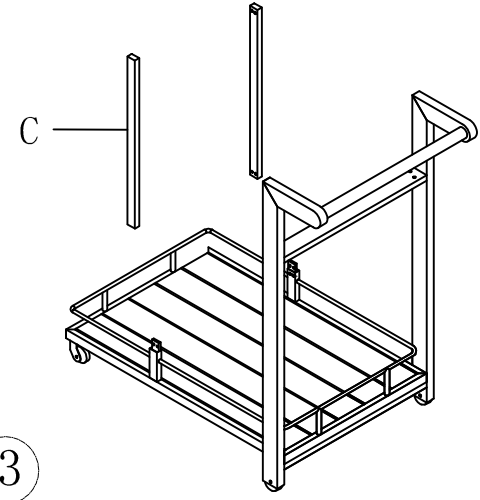
G: 4MM*1PCS



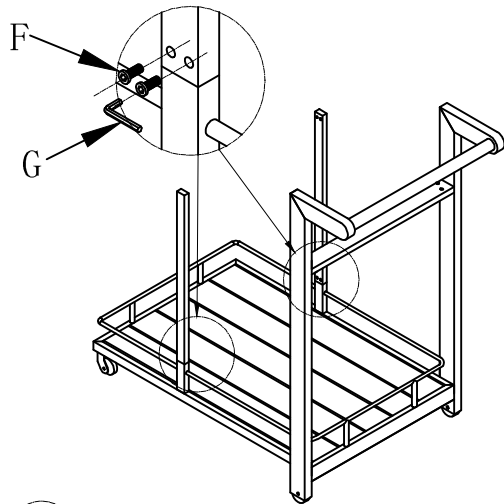
1



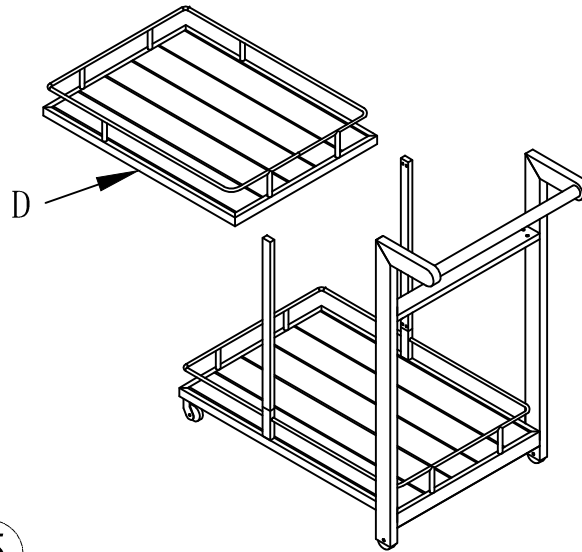
2



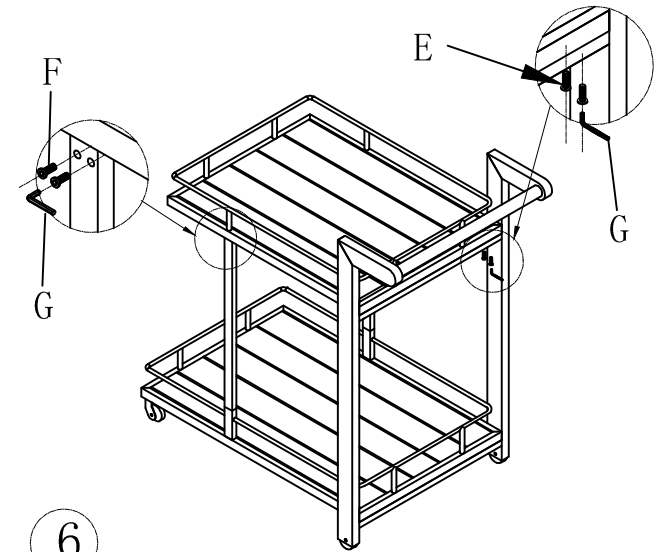
3



4



5



6