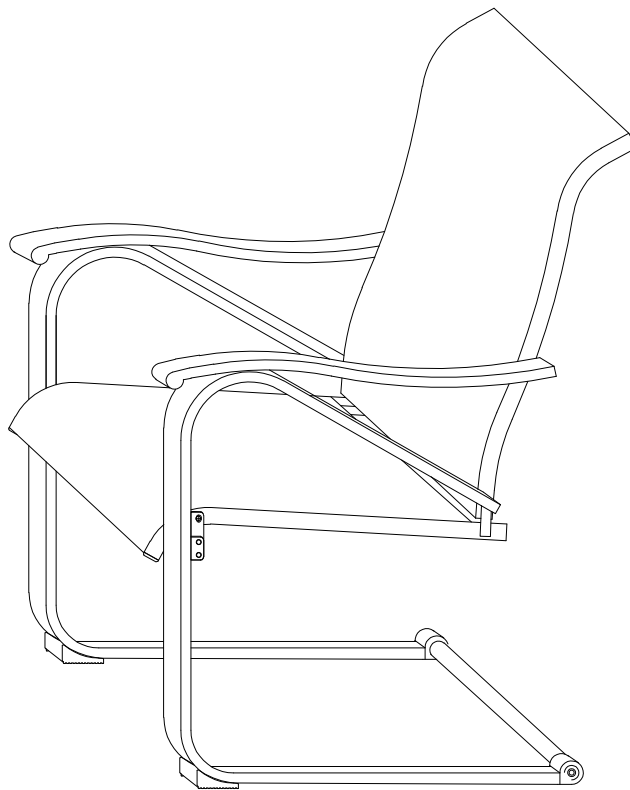


Patio Spring Chair

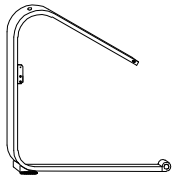



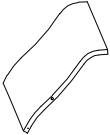
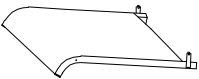






Read the instructions before use of this product.

Please keep this instruction manual for future reference.

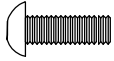





PARTS & HARDWARE LIST

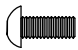

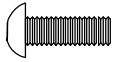

PART	FIGURE	DESCRIPTION	QTY
A		Right Leg	1x2
B		Left Leg	1x2
C		Right Arm	1x2
D		Left Arm	1x2
E		Back Panel	1x2
F		Seat Panel	1x2
G		Stretcher	1x2
H		Support Tube	1x2
I	 M6*12	Bolt M6 *12	6x2
J	 M6*20	Bolt M6 *20	2x2



PARTS & HARDWARE LIST



PART	FIGURE	DESCRIPTION	QTY
K	 M6*25	Bolt M6 *25	2x2
L	 M6*35	Bolt M6 *35	4x2
M		Washer M6	14x2
N		Allen Key	1x2

PARTS & HARDWARE LIST

PART	FIGURE	DESCRIPTION	QTY
I	 M6*12	Bolt M6 *12	1x2
J	 M6*20	Bolt M6 *20	1x2
K	 M6*25	Bolt M6 *25	1x2
L	 M6*35	Bolt M6 *35	1x2



PARTS & HARDWARE LIST

PART	FIGURE	DESCRIPTION	QTY
M		Washer M6	2x2
N		Allen Key	1x2

ATTENTION:

Keep children away during assembly. This item contains small parts that can be dangerous for children. Children should always be under direct adult supervision while using this product.

Do not discard any of the packaging until you have checked that you have all of the parts and fittings required.

Carefully remove the contents from the package. If any parts are missing, do not attempt to use the product until they have been obtained.

Make sure that each bolt needed for all steps matches the corresponding figure to ensure proper assembly.

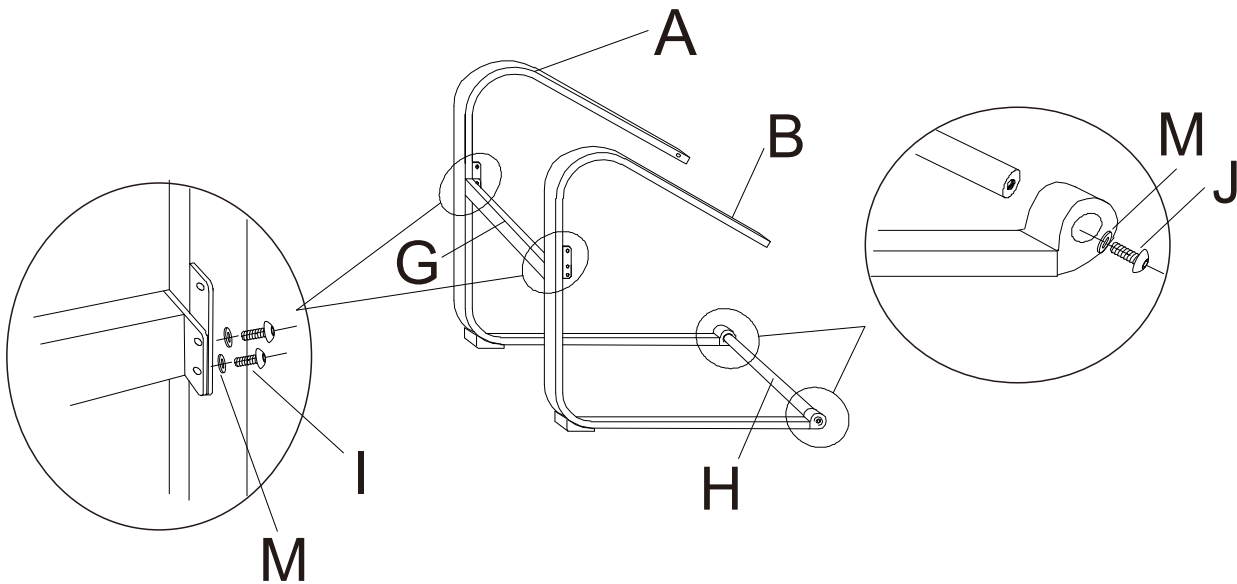


STEP1

Attach the stretcher (G) to leg (A) and leg (B) using bolts M6*12 (I) and washers (M).

Attach the support tube (H) to leg (A) and leg (B) using bolts M6*20 (J) and washers (M).

Please do not fully tighten bolts until unit is fully assembled.

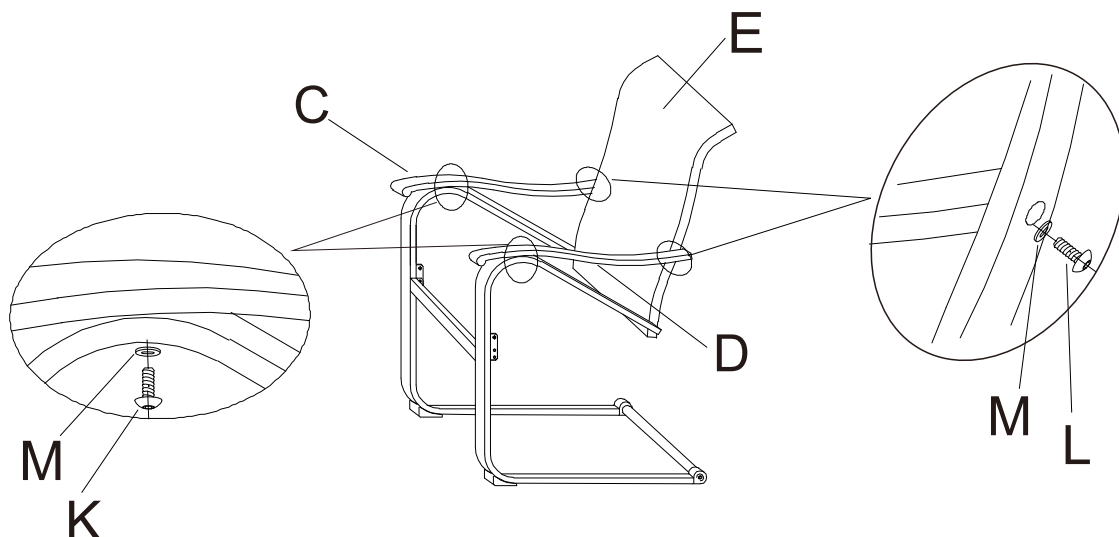


STEP2

Attach arm (C) and (D) to leg (A) and (B) using bolts M6*25 (K) and washers (M).

Attach back panel (E) to right arm (C) and left arm (D) using bolts M6*35 (L) and washers (M).

Please do not fully tighten bolts until unit is fully assembled.



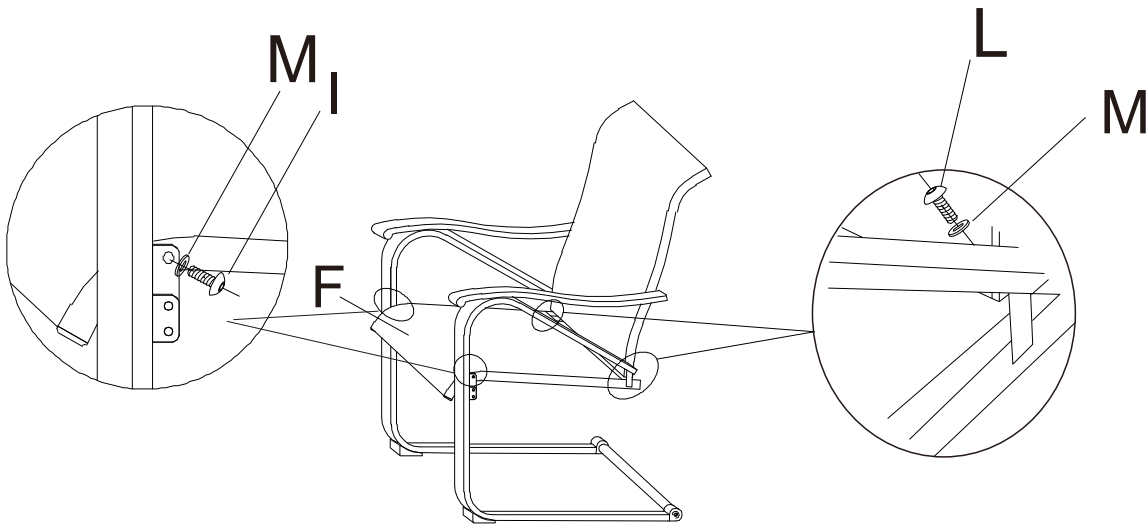


STEP3

Attach seat panel (F) to legs using bolts M6*12 (I) and washers (M).

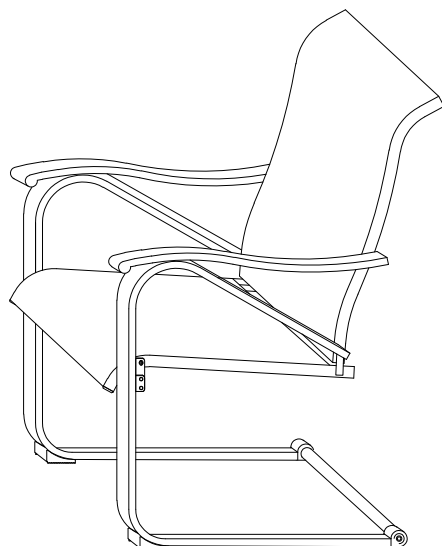
Connect seat panel (F) and back panel (E) using bolts M6*35 (L) and washers (M).

Please do not fully tighten bolts until unit is fully assembled.



STEP4

Please fully tighten all bolts using allen key (N) .



Cleaning and Maintenance

Clean frame with mild soapy water, rinse thoroughly. Dry frame parts completely.

Do not use bleach, acid, or other solvents on the fabric and metal parts.

We recommend the use of furniture covers to protect the Patio Spring Chair when not in use.

Inspect and tighten all bolts on a regular basis to ensure proper performance and safety.

In order to prolong the life and beauty of your chair, we recommend storing it in a dry and protective area during off season periods.