

# Assembly Instruction Manual

## CAUTION:

- Before installing the light fixture, please make sure the power to the circuit is turned off at the main fuse box.

## IMPORTANT SAFETY INSTRUCTIONS:

- These instructions are provided for your safety. It is very important that they are read carefully and completely before beginning the assembly and installation of the light fixture.
- We strongly recommend that a professional electrician install all direct wire fixtures.

## PRE-ASSEMBLY:

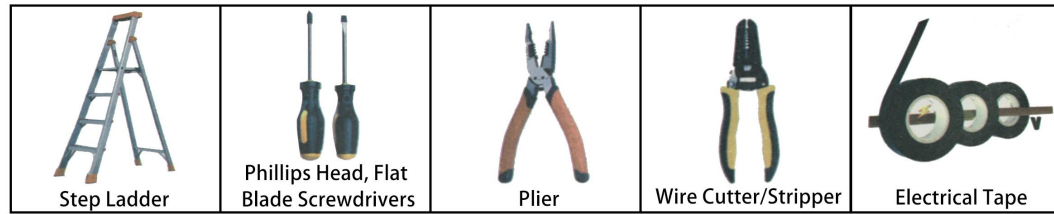
- Remove all parts and hardware from the box along with any plastic protective packaging.
- Do not discard any contents until after assembly is complete to avoid accidentally discarding small parts or hardware.
- For your safety, it is strongly recommended that two people install the light fixture.

## WARNING:

- To reduce the risk of fire, electrical shock or personal injury, always turn off light fixture and allow it to cool prior before replacing the light bulb.
- Do not touch bulb when light fixture is turned on.
- Do not look directly at a lit bulb.
- Keep flammable materials away from lit bulb.

## TOOLS REQUIRED (NOT INCLUDED):

- The following installation tools are for reference only.



## CARE INSTRUCTIONS:

- Wipe clean with a soft, dry cloth or static duster.
- Avoid the use of harsh chemicals or abrasive cleaners as they may cause damage the light fixture's finish.

## PRODUCT ASSEMBLY PROCESS:

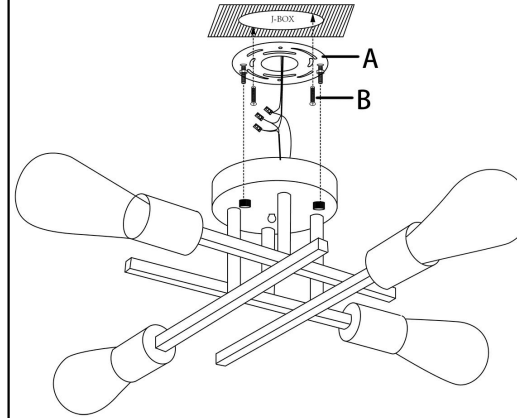


# Instruction

NOTE: Please turn off the power switch before installation.

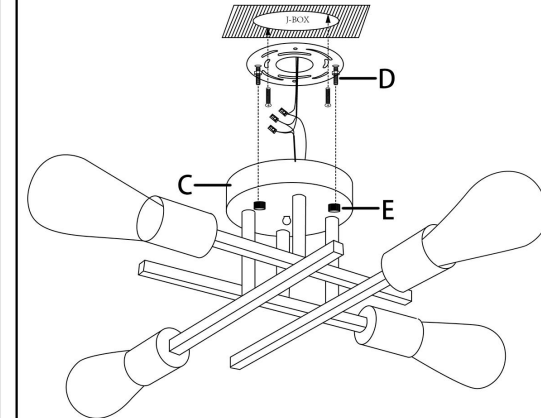
It is better to have a helper to hold the lamp when it is installed.

## Step 1



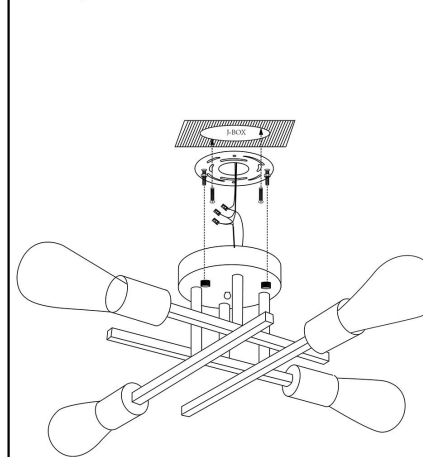
Connect the mounting bracket (A) and ceiling junction box with screws (B).

## Step 3



Connect the ceiling canopy (C) and mounting junction box with screws (E) provided with your fixture.

## Step 2



- ① Connect the white wires and black wires from the house to the light fixture respectively, and twist them on wire nut (provided). Then heat the black shrink tube (provided) to contract it.
- ② Connect the bare wires from the house to the light fixture, then twist on a wire nut (provided).

NOTE: If there is not ground wire in your house, attach ground wire to green grounding crew marked GND.

WARNING: The outlet box in your home must be properly grounded!

- ③ Gently tuck the wires into the junction box through the center of mounting bracket. Push the white and black wires apart so they won't touch each other.

