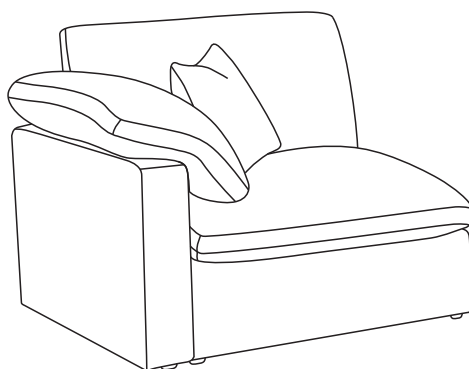
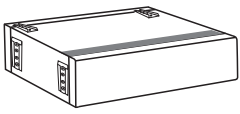
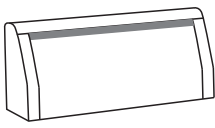
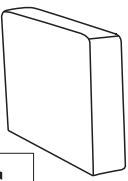

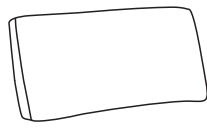
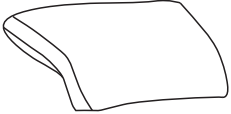
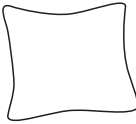


# ASSEMBLY INSTRUCTION

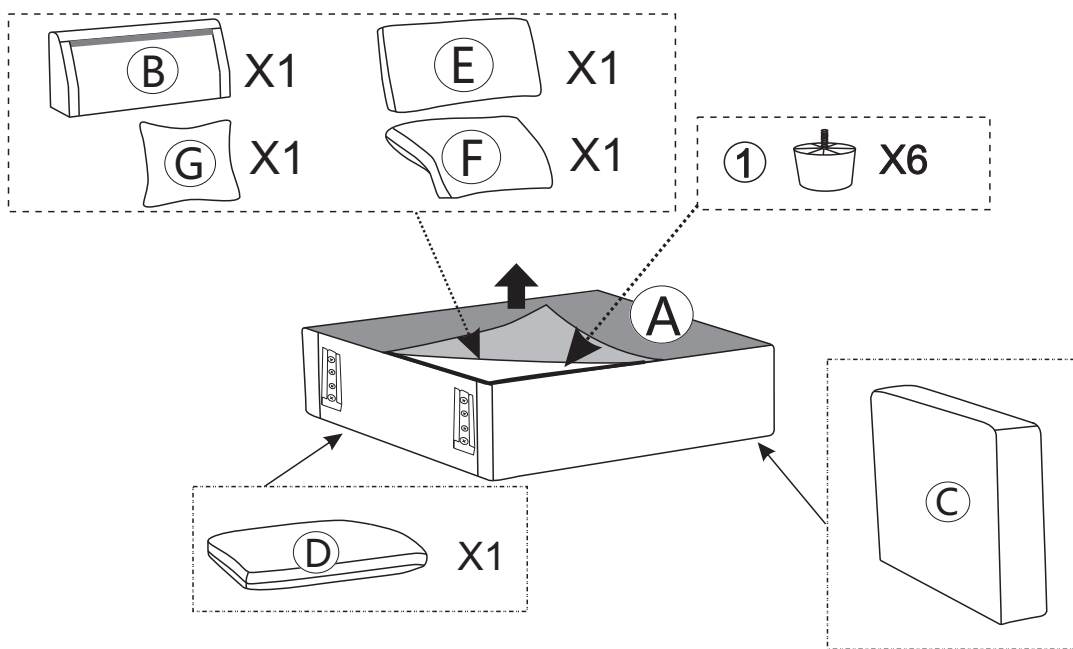


## PARTS LIST

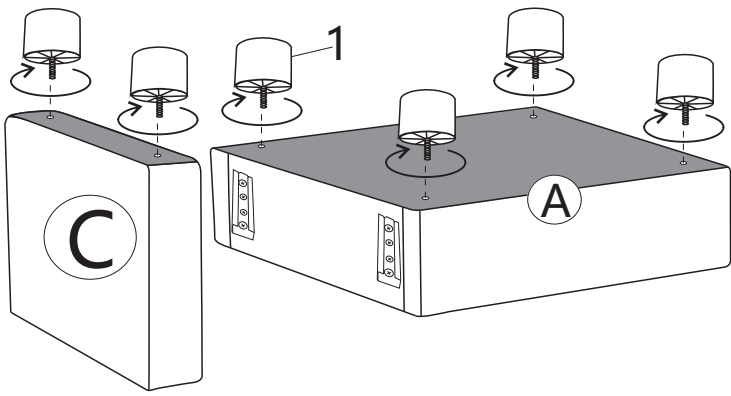
					
<b>A</b>	<b>B</b>	<b>C</b>	<b>D</b>	<b>E</b>	<b>F</b>
X1	X1	X1	X1	X1	X1
					
<b>G</b>					
X1					

## HARDWARE LIST

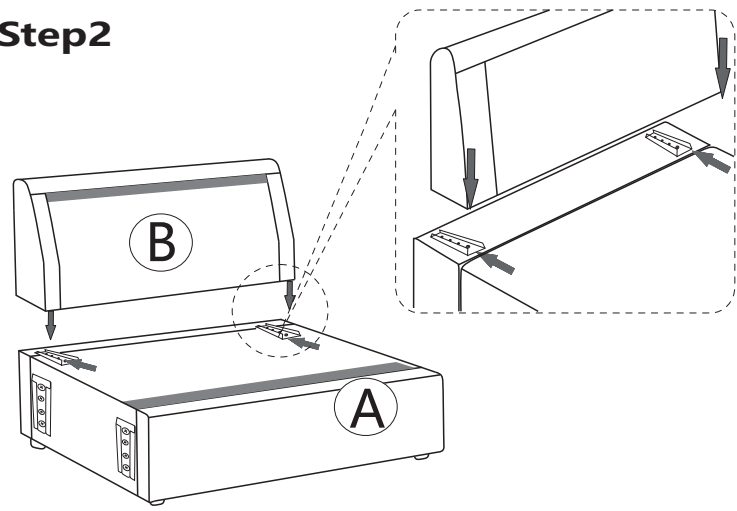
	
<b>1</b>	X6



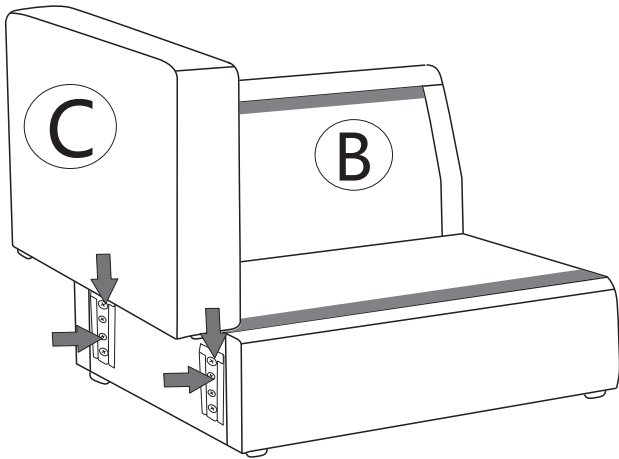
### Step1



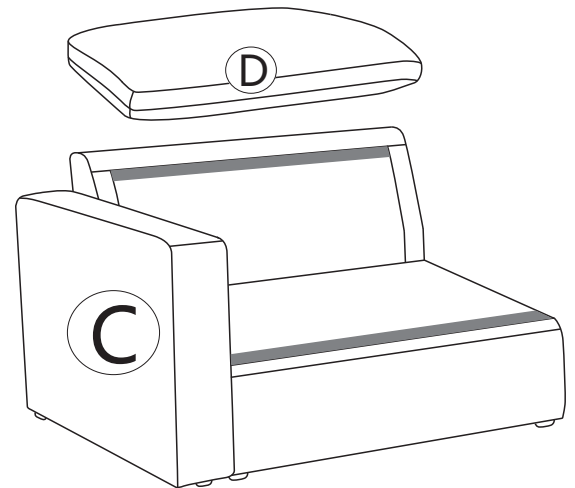
### Step2



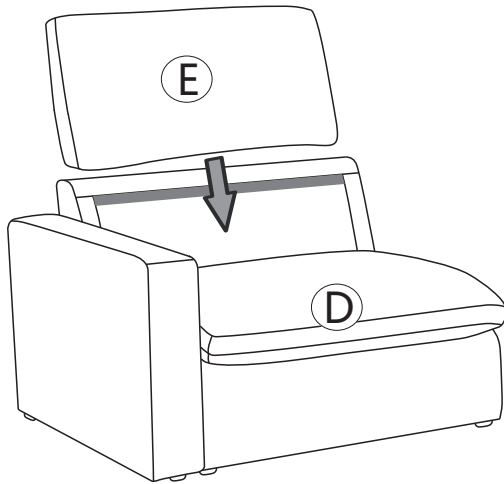
### Step3



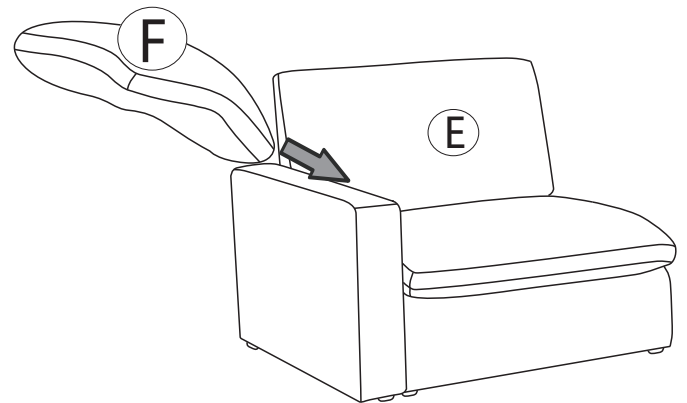
### Step4



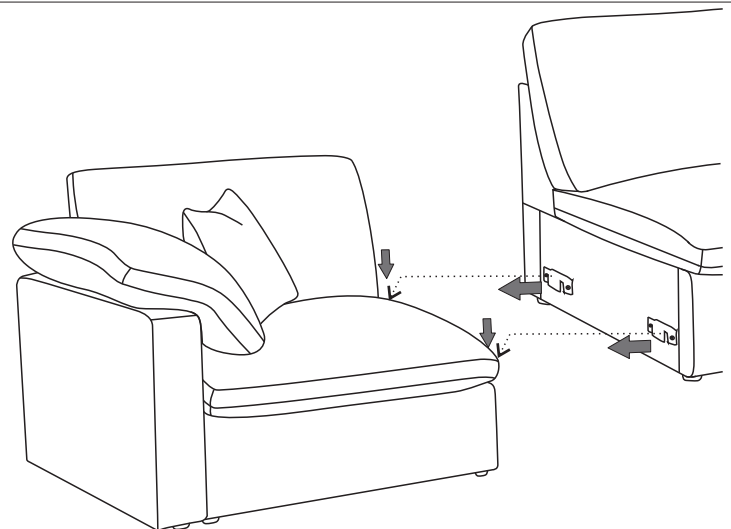
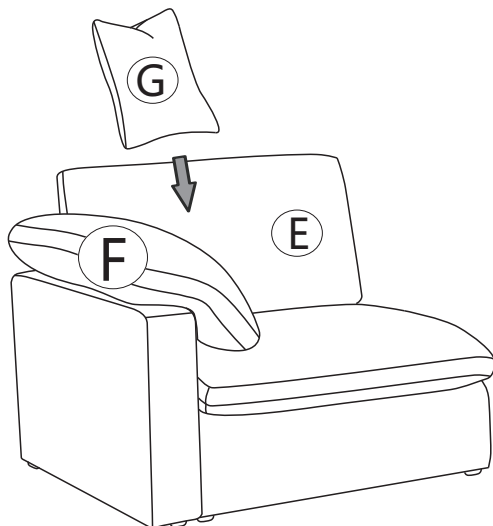
### Step5



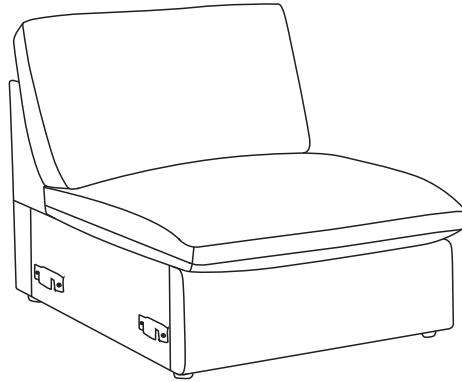
### Step6



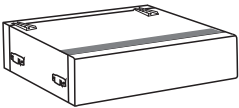
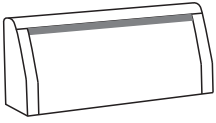


### Step7




# ASSEMBLY INSTRUCTION

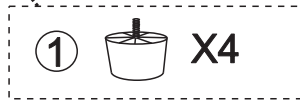
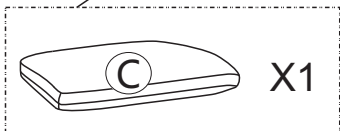
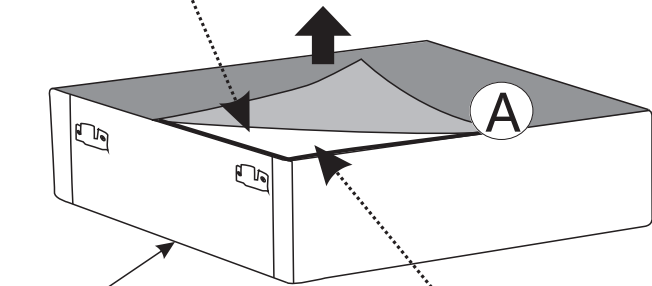
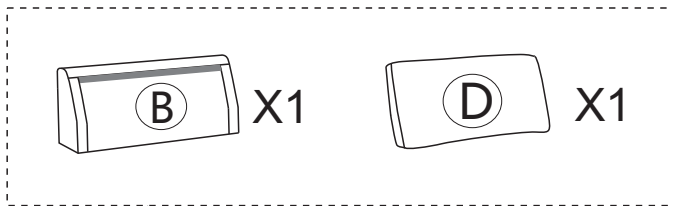


## PARTS LIST

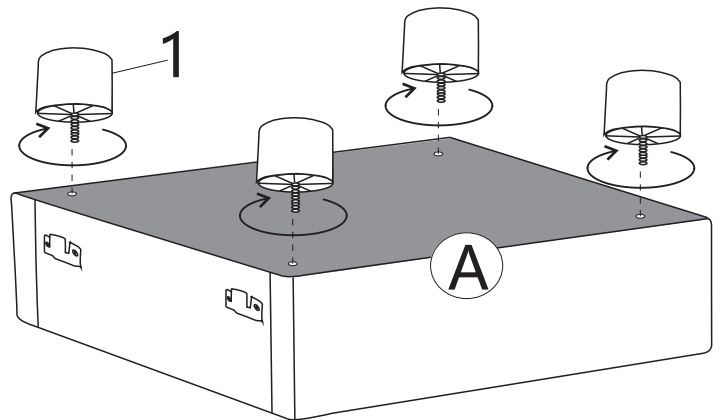
				
<b>A</b>	<b>B</b>	<b>C</b>	<b>D</b>	
X1	X1	X1	X1	

## HARDWARE LIST

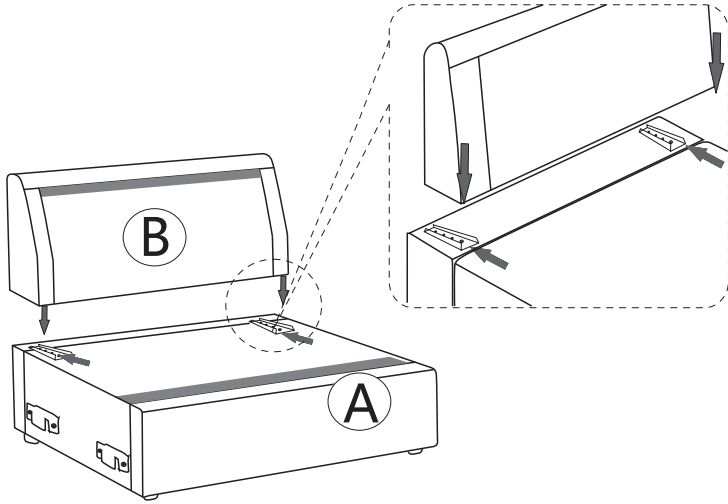
	
<b>1</b>	X4



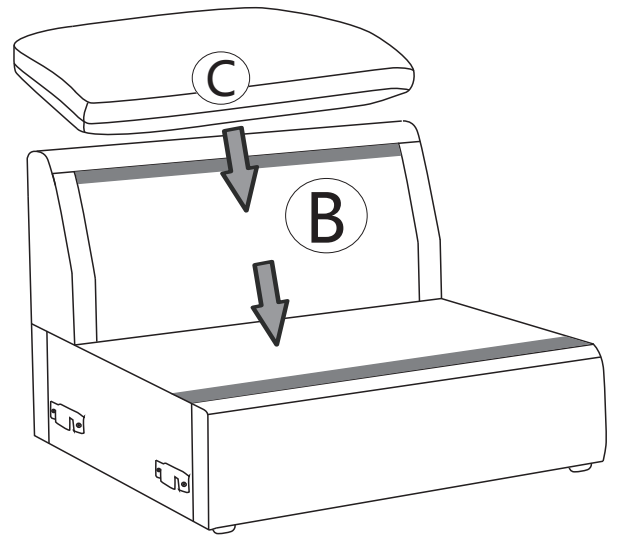
### Step 1



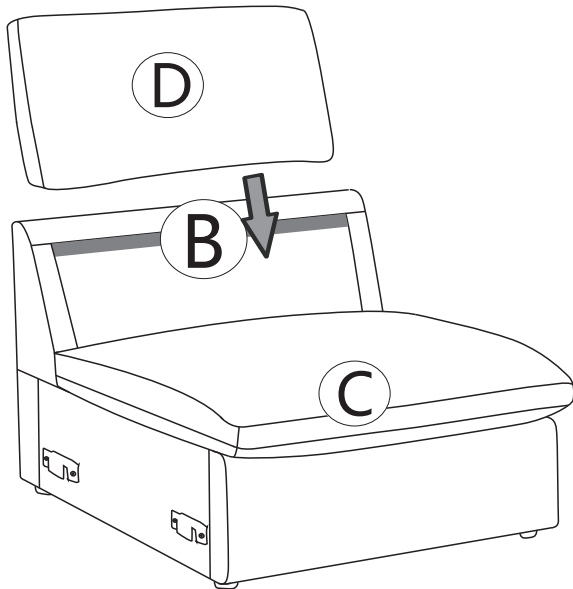
### Step2



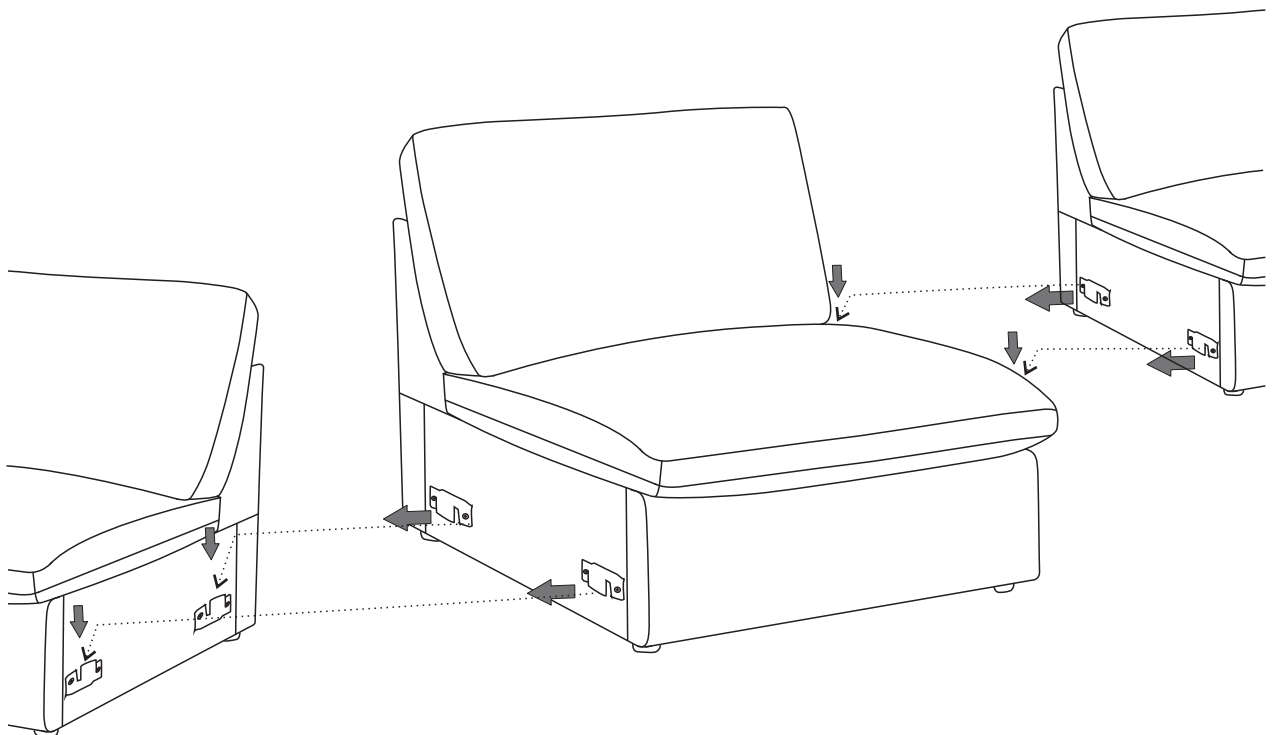
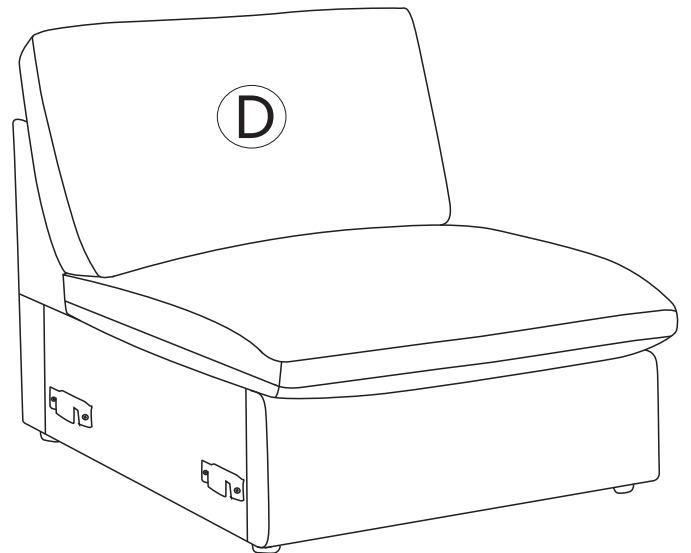
### Step3



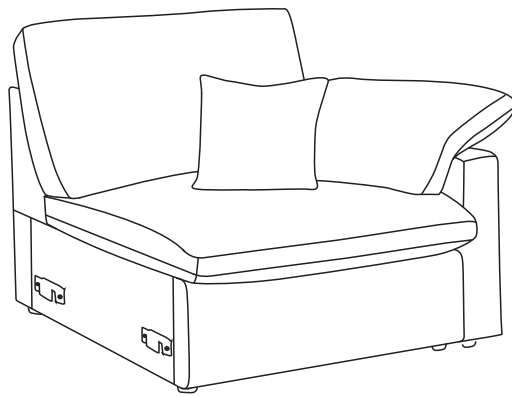
### Step4



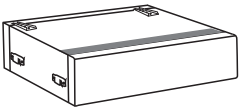
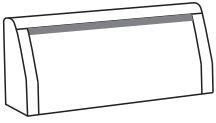
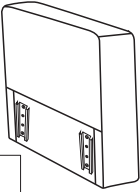

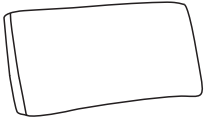
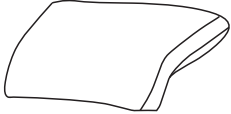
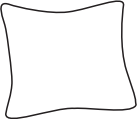
### Step5




# ASSEMBLY INSTRUCTION

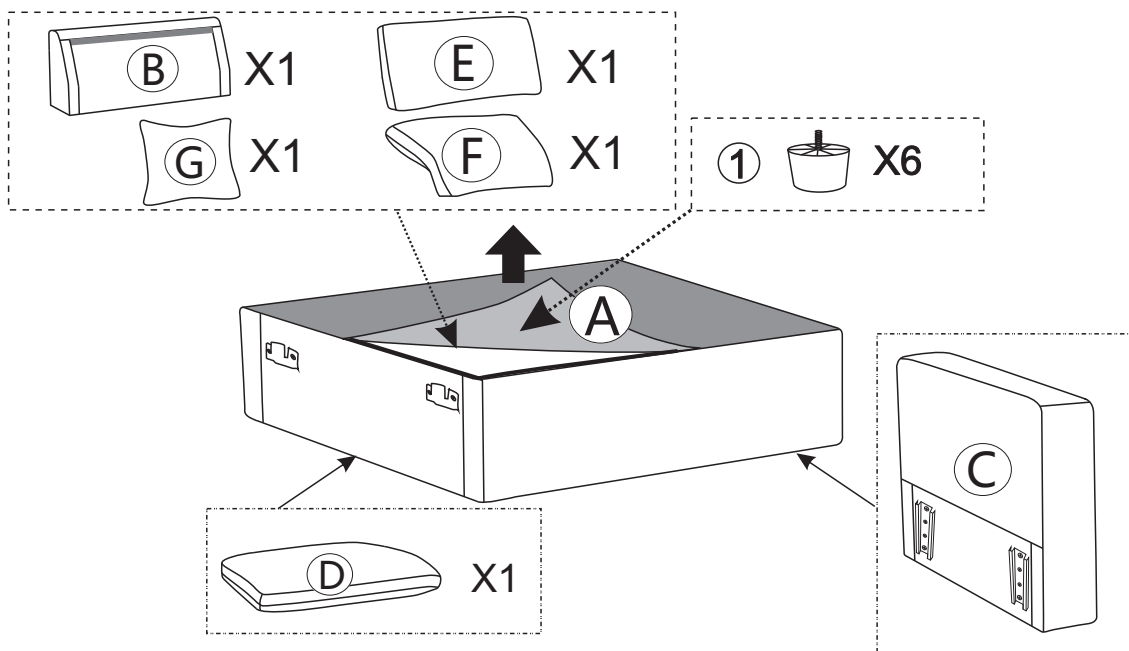


## PARTS LIST

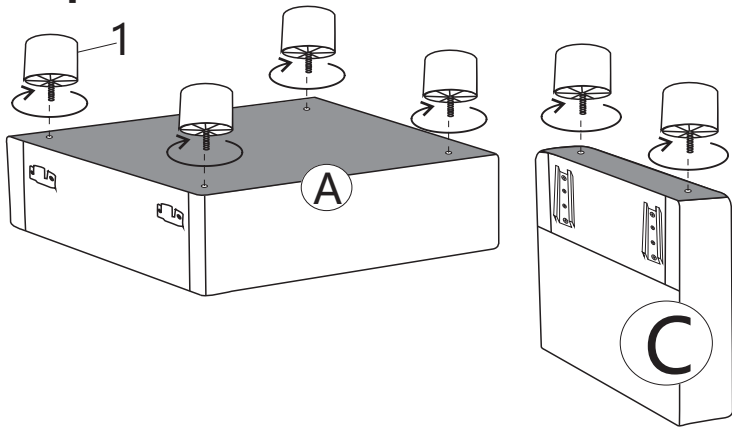
					
<b>A</b> X1	<b>B</b> X1	<b>C</b> X1	<b>D</b> X1	<b>E</b> X1	<b>F</b> X1
					
<b>G</b> X1					

## HARDWARE LIST

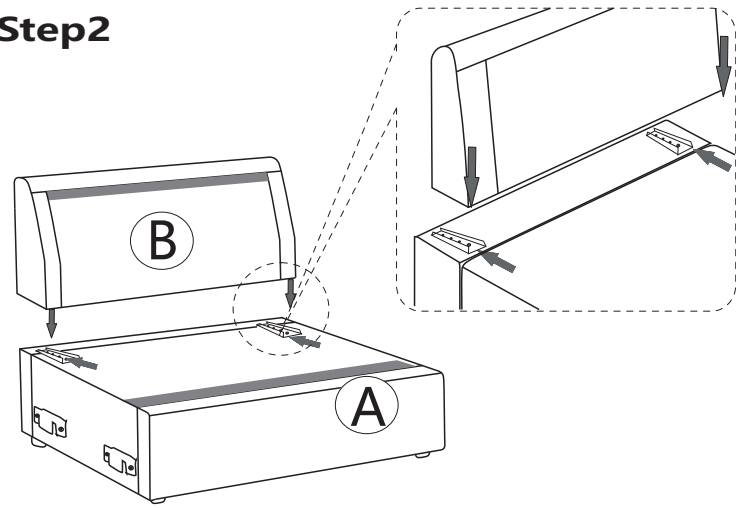
	
<b>1</b> X6	



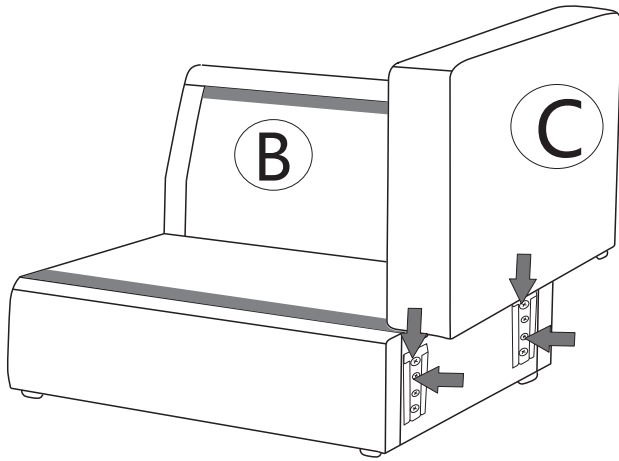
### Step1



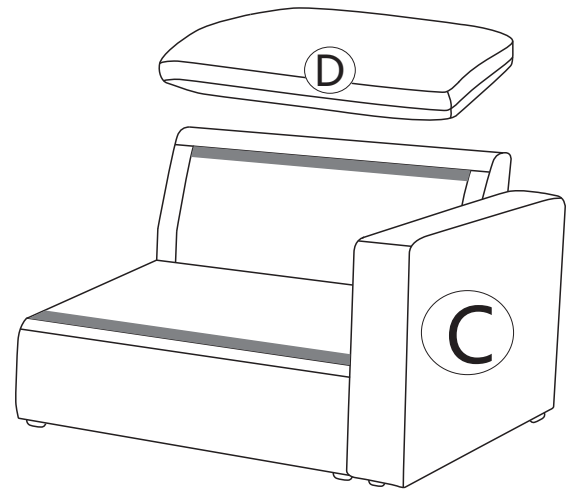
### Step2



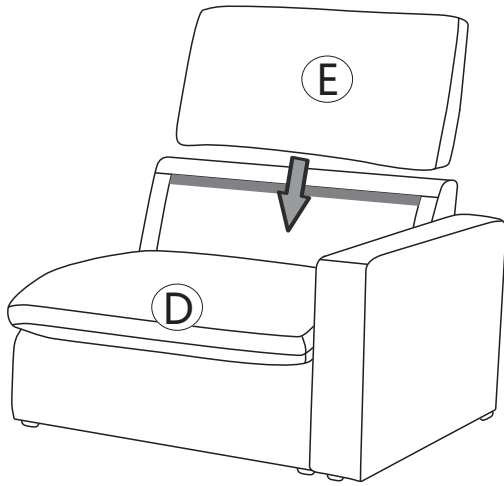
### Step3



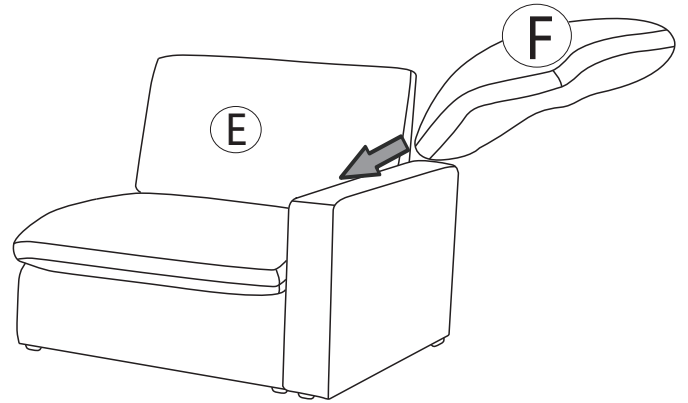
### Step4



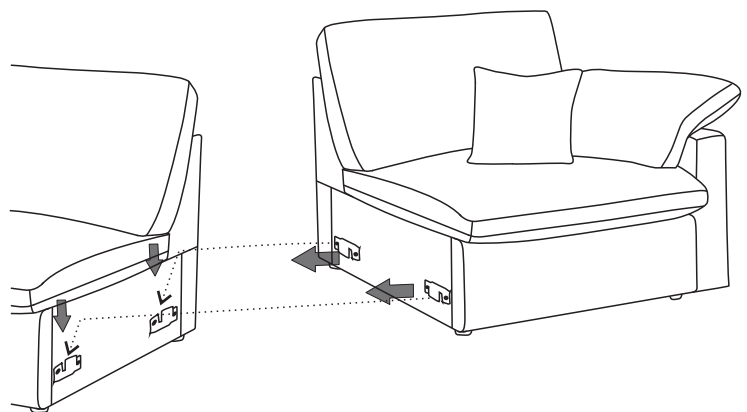
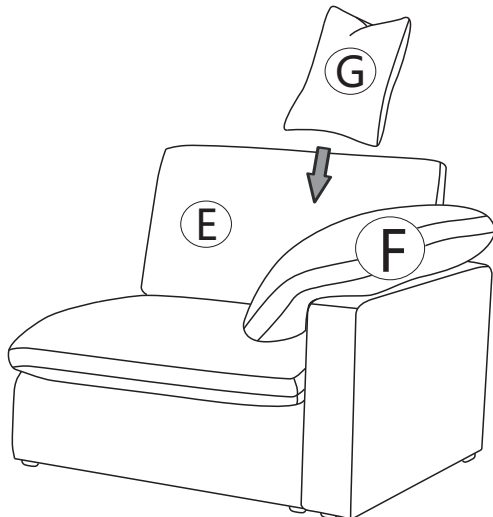
### Step5



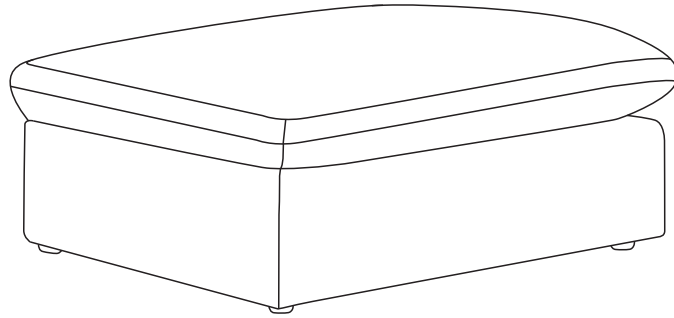
### Step6



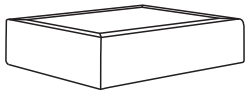
### Step7



# ASSEMBLY INSTRUCTION



## PARTS LIST



X1



X1

**A**

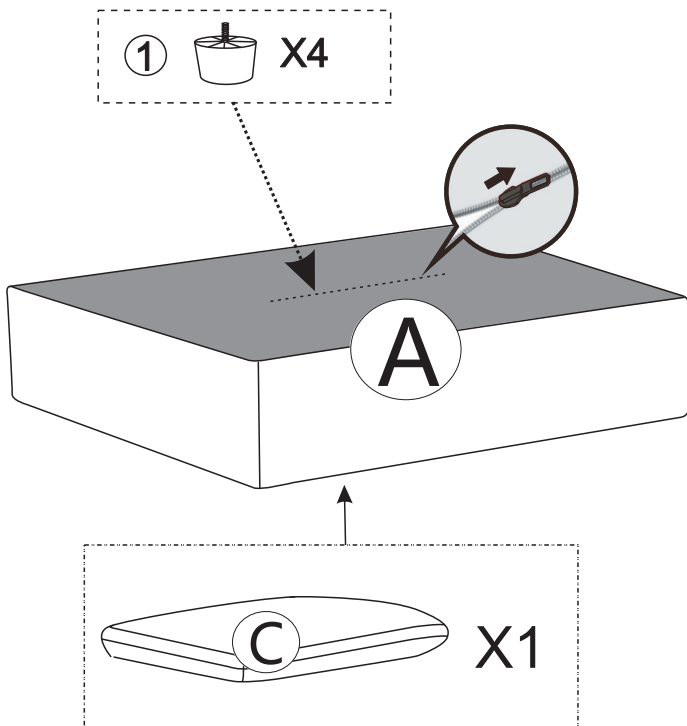
**B**

## HARDWARE LIST

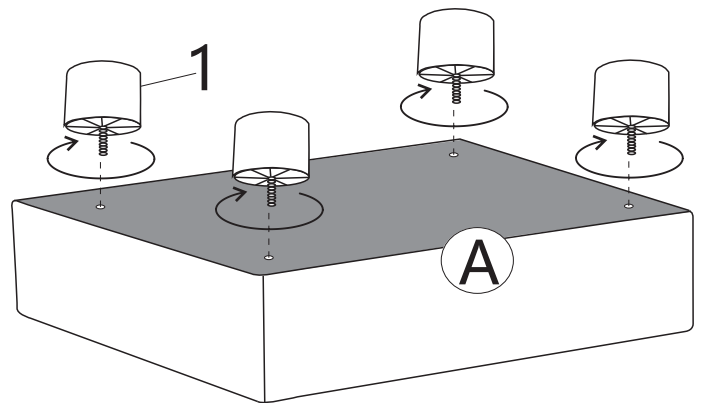


X4

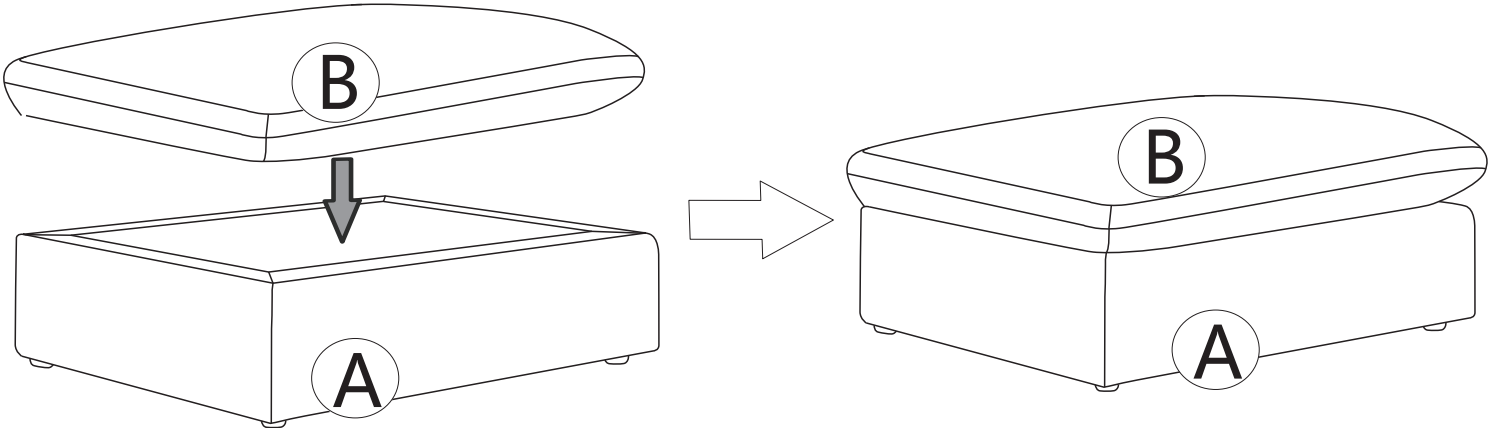
**1**



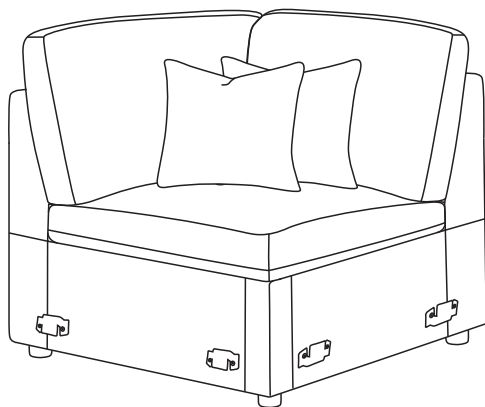
### Step 1



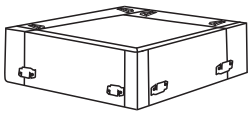
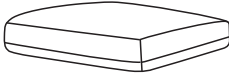
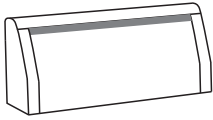
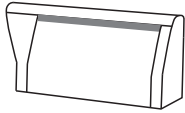
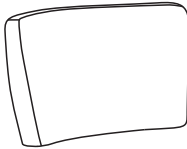
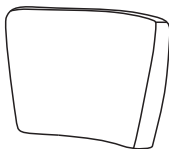
**Step2**



# ASSEMBLY INSTRUCTION

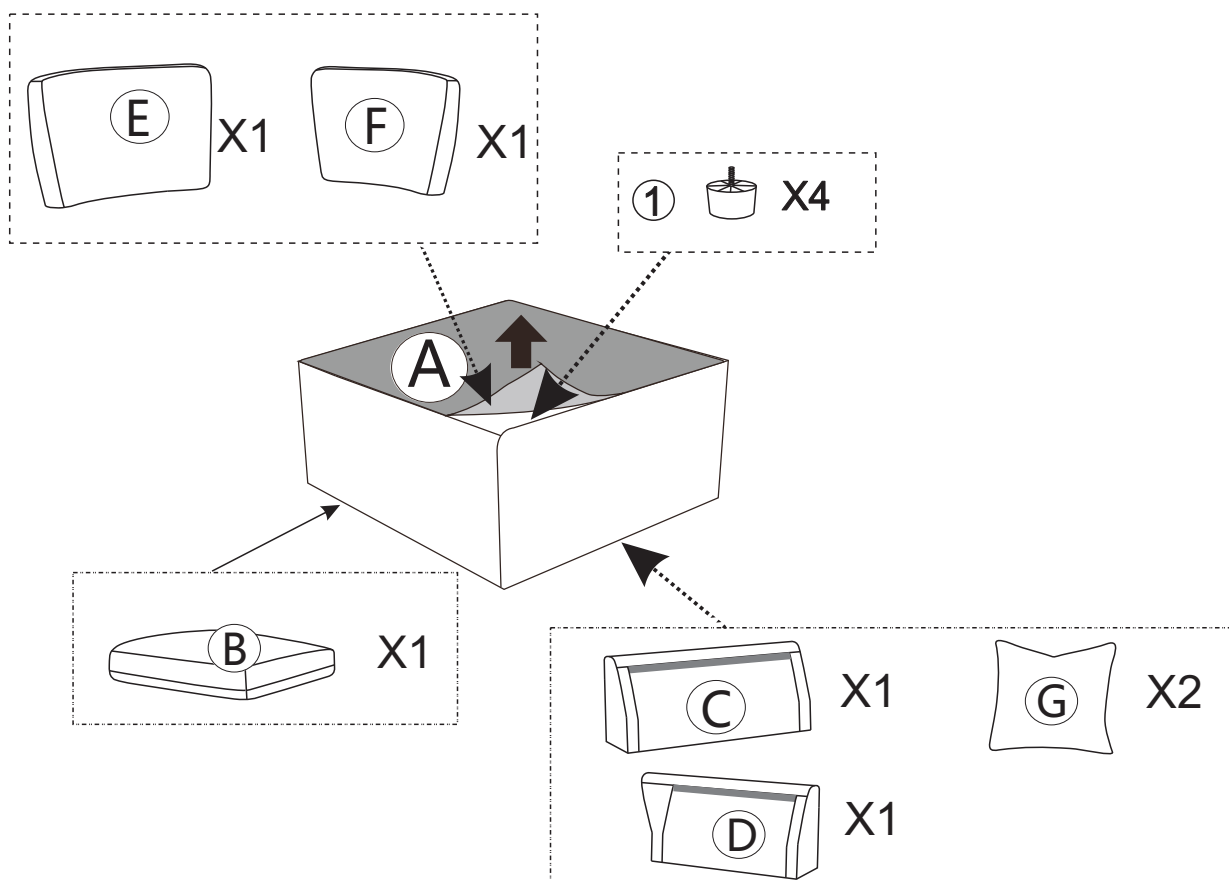


## PARTS LIST

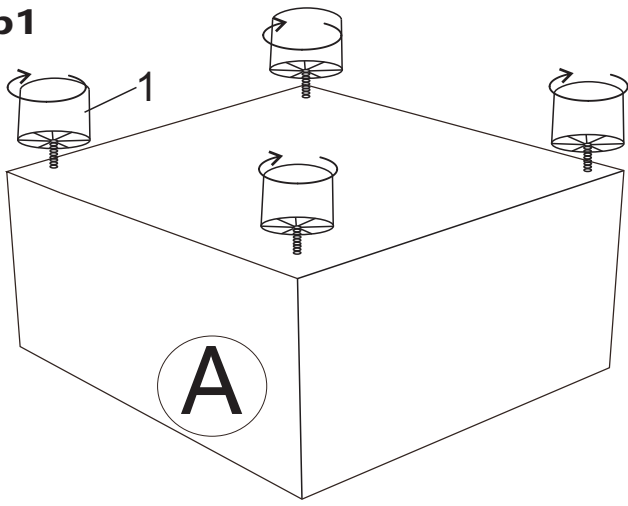
					
<b>A</b>	<b>X1</b>	<b>B</b>	<b>X1</b>	<b>C</b>	<b>X1</b>
<b>D</b>	<b>X1</b>	<b>E</b>	<b>X1</b>	<b>F</b>	<b>X1</b>

## HARDWARE LIST

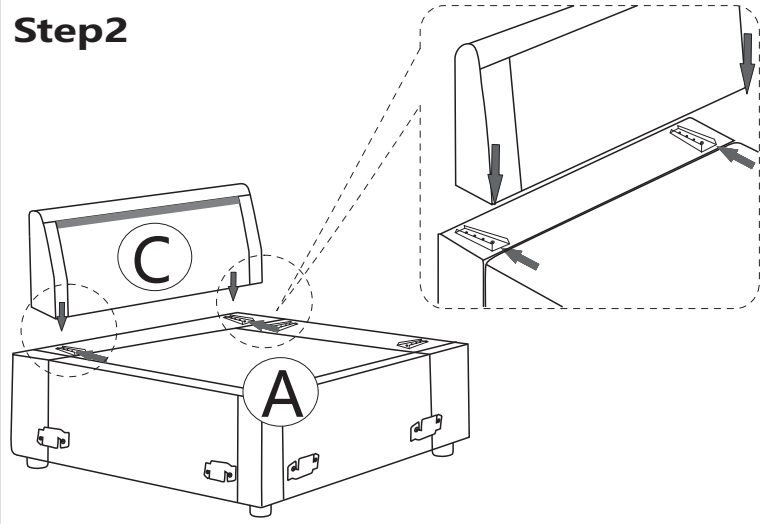
 ∅ 55X30mm	
<b>1</b>	<b>X4</b>
	<b>G</b>
	<b>X2</b>



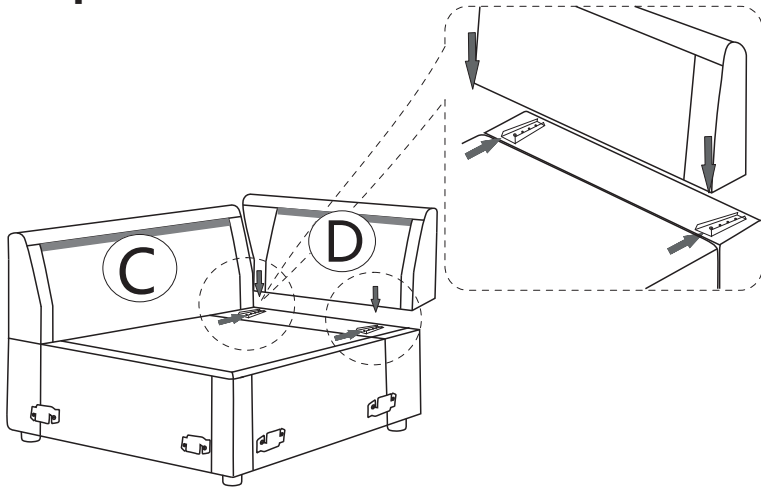
**Step1**



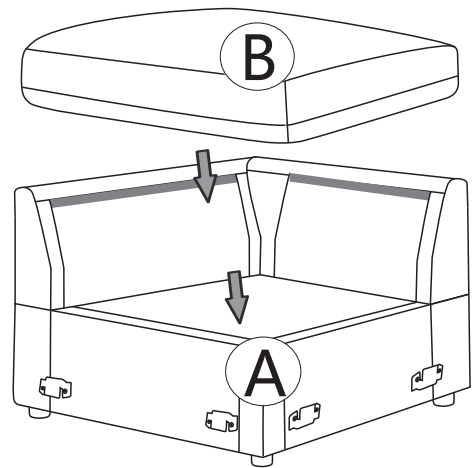
**Step2**



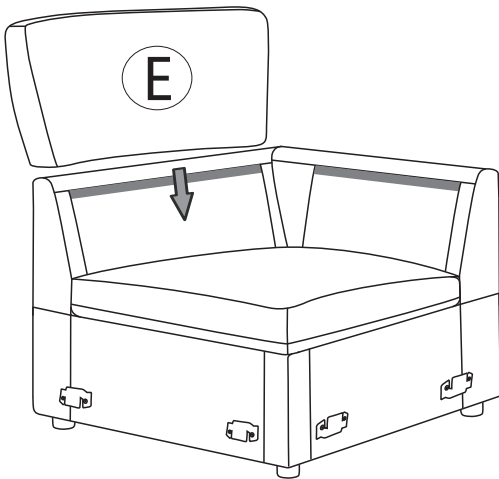
**Step3**



**Step4**



**Step5**



**Step6**

