

28" Bathroom Vanity with Sink

Assembly Instruction

INTRODUCTION

Thank you for purchasing our products. Please read the instructions carefully before installation and keep it in a safe place for future reference. If you need any assistance or support, please feel free to contact our customer support team.

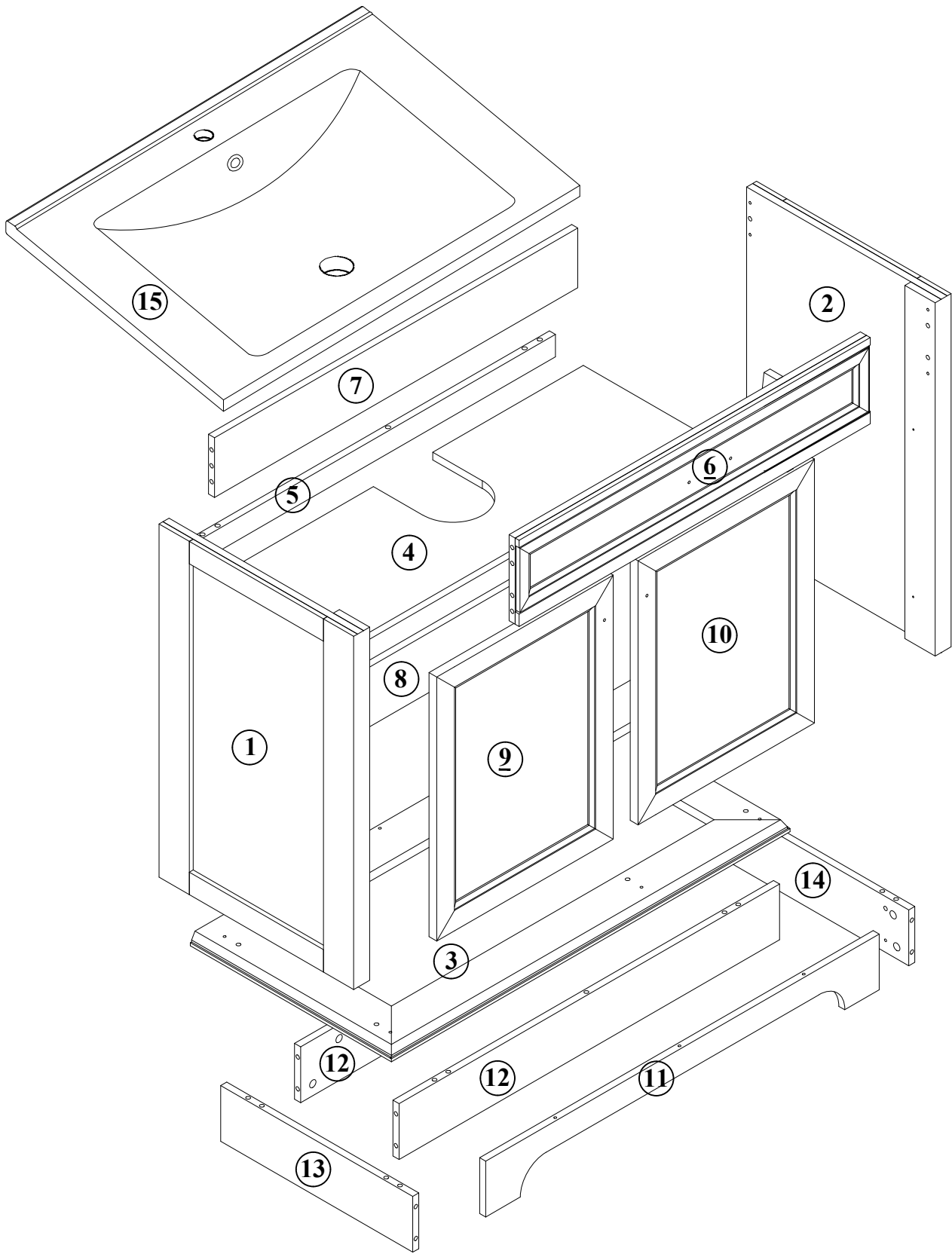
PRECAUTIONS

1. There are many components and accessories in the package. Each component and accessory is labeled with a letter or a number, check carefully before using any of them. Keep them away from children to prevent accidents.
2. Please install the product on a clean and soft underlay (such as carpet or cardboard) to avoid scratching or damaging the surface of the product.
3. The main components of the product are relatively heavy. Please pay attention to safety during installation.
4. The product is not stable during installation. Please do not move it randomly before it is completely installed.
5. This product requires two people to install.
6. If you have any questions during installation, please contact the customer service in time.

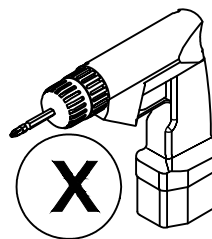
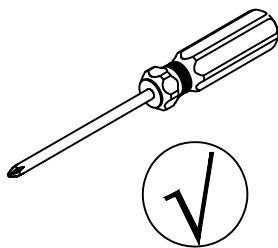
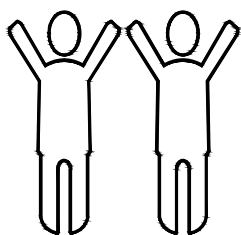
*** PLEASE BE SURE TO FOLLOW THE INSTALLATION STEPS IN THE MANUAL TO AVOID UNNECESSARY LOSSES CAUSED BY IMPROPER INSTALLATION.**

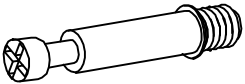

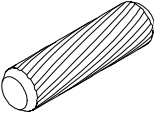
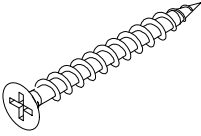
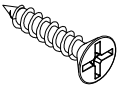
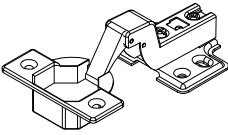
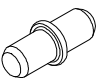
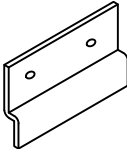
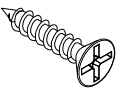
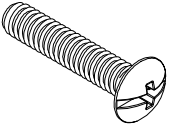
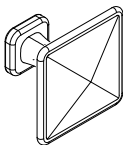
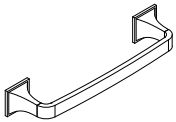
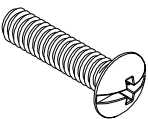
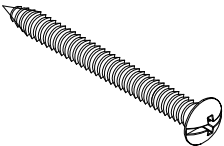
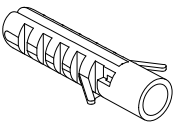
*** IF YOU NEED FURTHER ASSISTANCE, PLEASE CONTACT THE CUSTOMER SERVICE ONLINE.**

PARTS LIST

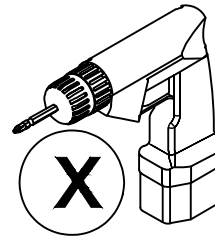
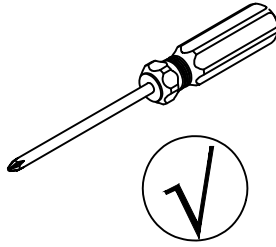
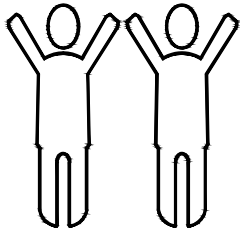


ACCESSORIES LIST



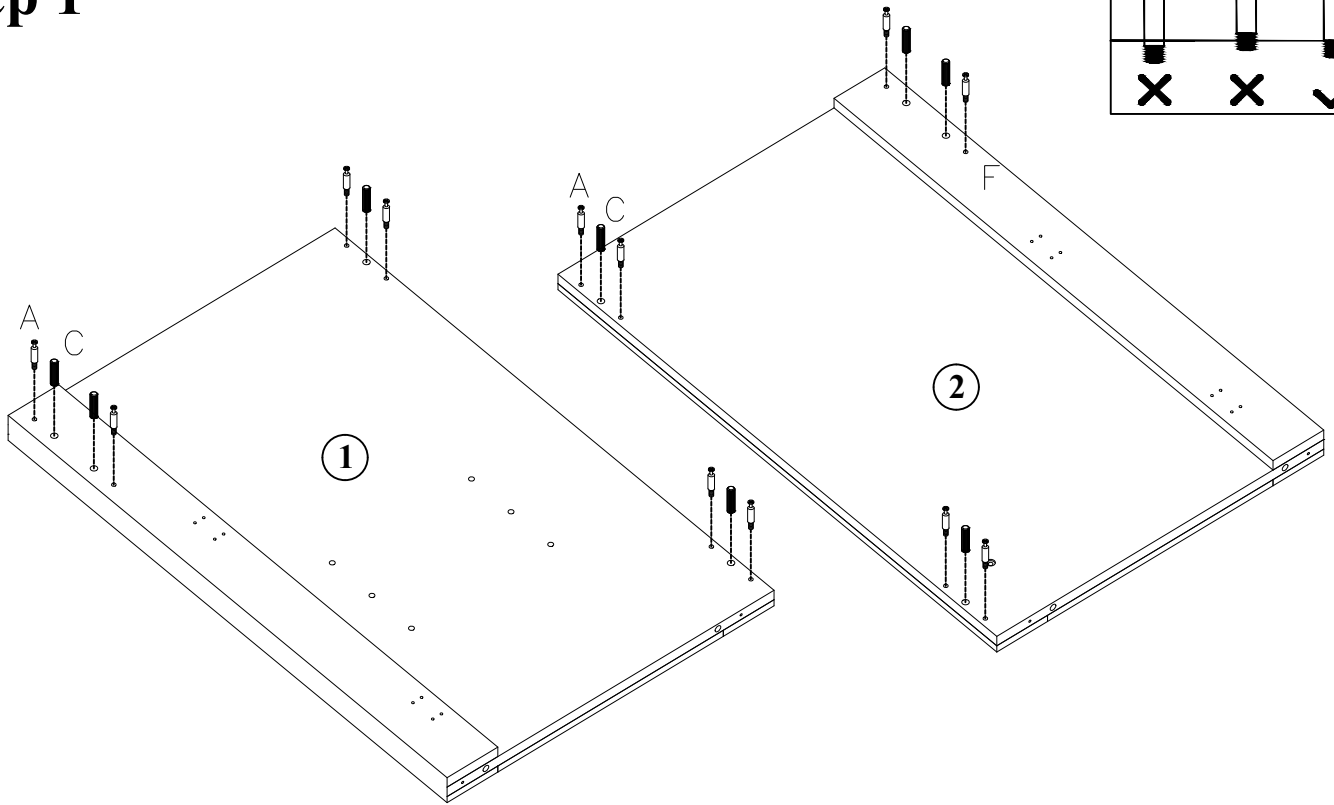
<p>A</p>  <p>Ø6x40 31PCS</p>	<p>B</p>  <p>Ø15x9.5 31PCS</p>	<p>C</p>  <p>Ø8x30 32PCS</p>	<p>D</p>  <p>Ø4x38 6PCS</p>	<p>E</p>  <p>Ø3.5x14 24PCS</p>
<p>F</p>  <p>110*62*Ø35 4PCS</p>	<p>G</p>  <p>Ø6x17 4SET</p>	<p>H</p>  <p>50x30x5 1PC</p>	<p>I</p>  <p>Ø3x14 2PCS</p>	<p>J</p>  <p>M4x21 2PCS</p>
<p>K</p>  <p>2PCS</p>	<p>L</p>  <p>1PCS</p>	<p>M</p>  <p>M4x14 2PCS</p>	<p>N</p>  <p>Ø5x60 2PCS</p>	<p>O</p>  <p>M8x40 2PCS</p>


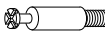
PARTS LIST



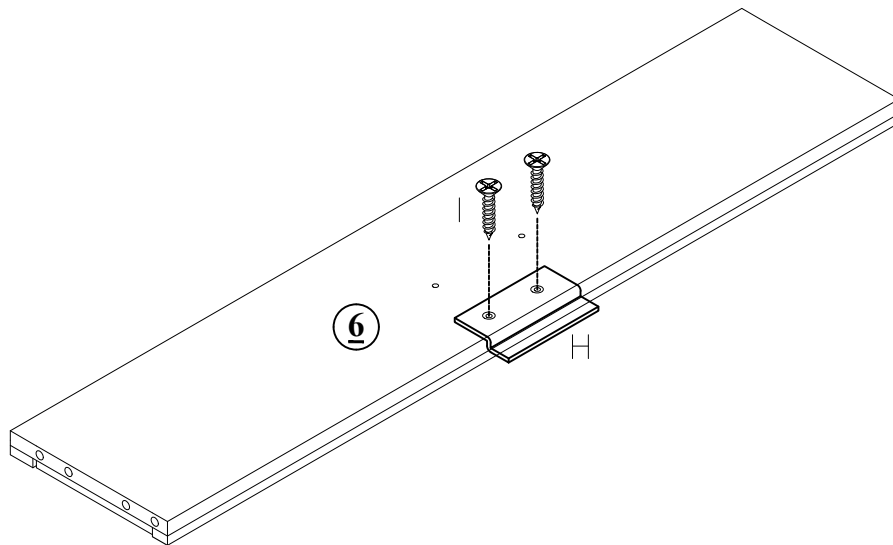
<p>①</p> <p>x1</p>	<p>②</p> <p>x1</p>	<p>③</p> <p>x1</p>	<p>④</p> <p>x1</p>	<p>⑤</p> <p>x1</p>
<p>⑥</p> <p>x1</p>	<p>⑦</p> <p>x1</p>	<p>⑧</p> <p>x1</p>	<p>⑨</p> <p>x1</p>	<p>⑩</p> <p>x1</p>
<p>⑪</p> <p>x1</p>	<p>⑫</p> <p>x2</p>	<p>⑬</p> <p>x1</p>	<p>⑭</p> <p>x1</p>	<p>⑮</p> <p>x1</p>



Step 1



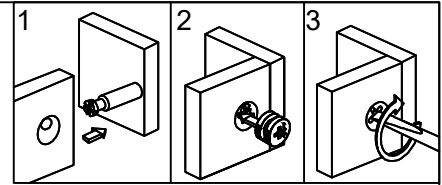
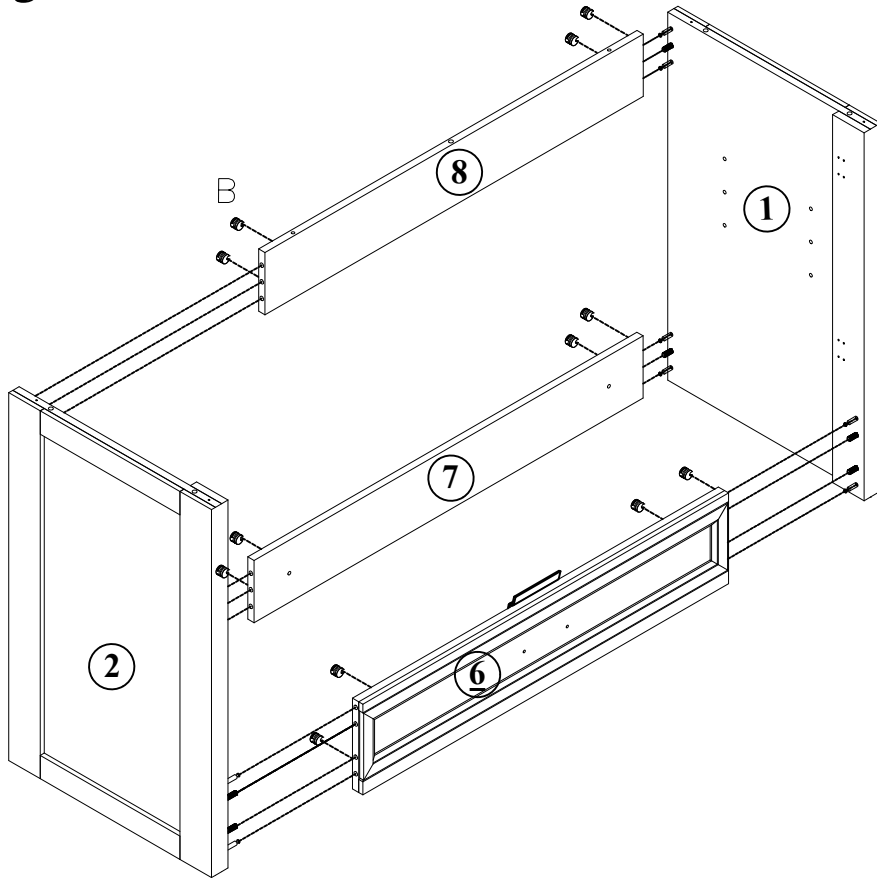
C		x8
A		x12

Step 2



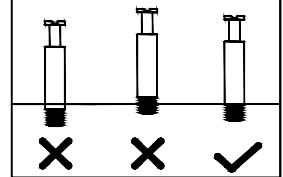
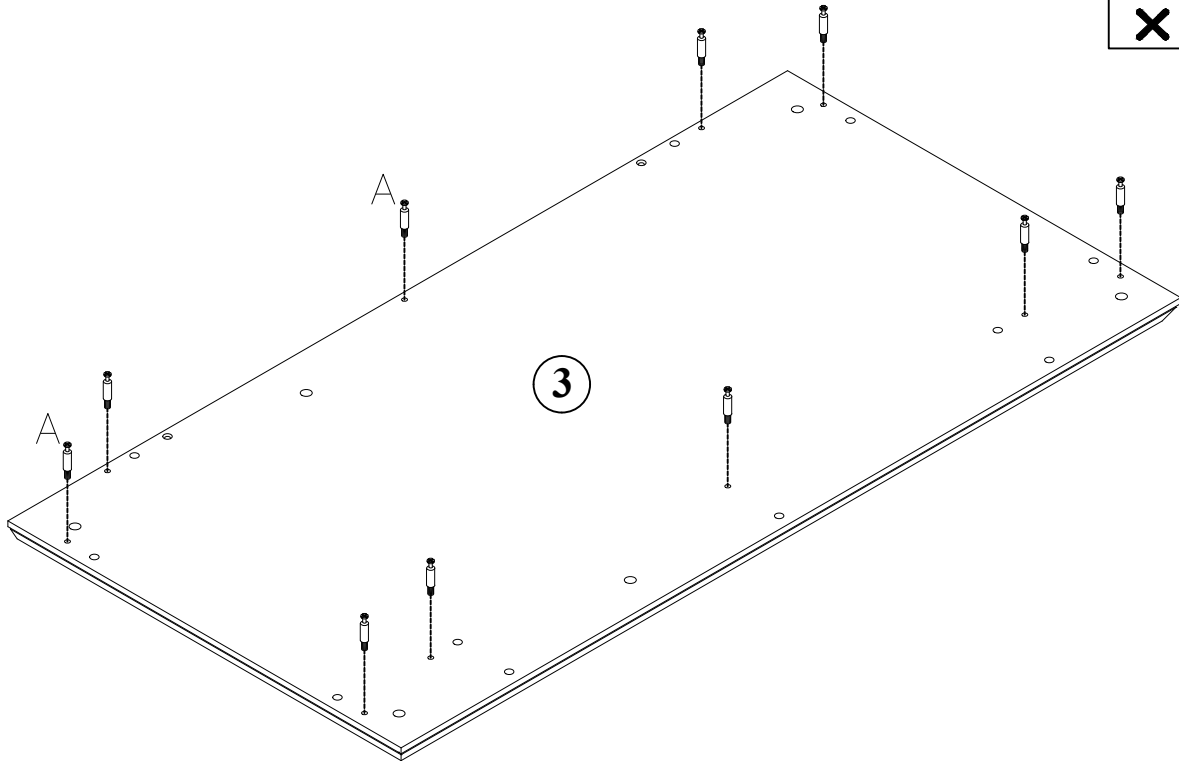
H		x1
I		x2

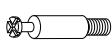
Step 3



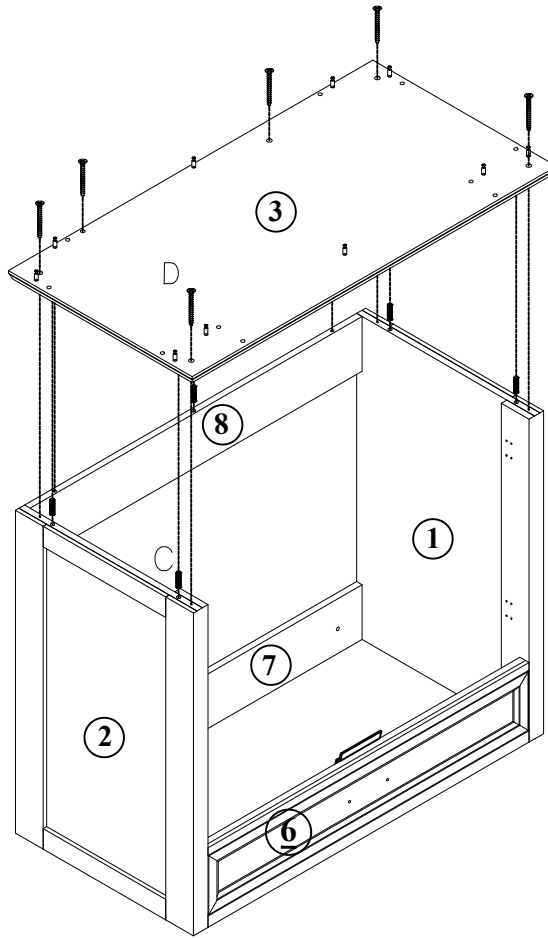
B  x12


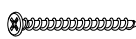
Step 4



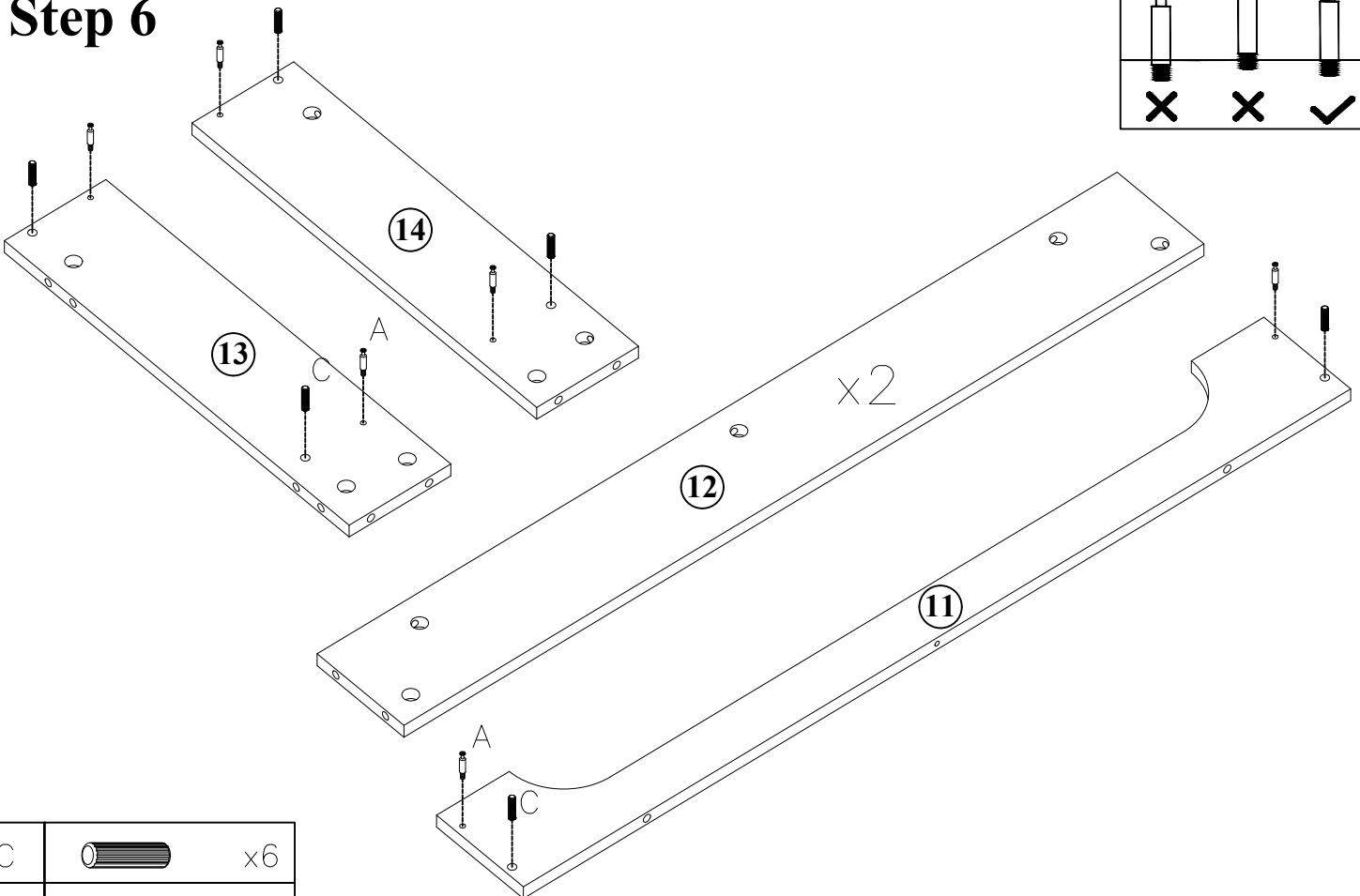
A  x10


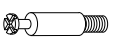
Step 5



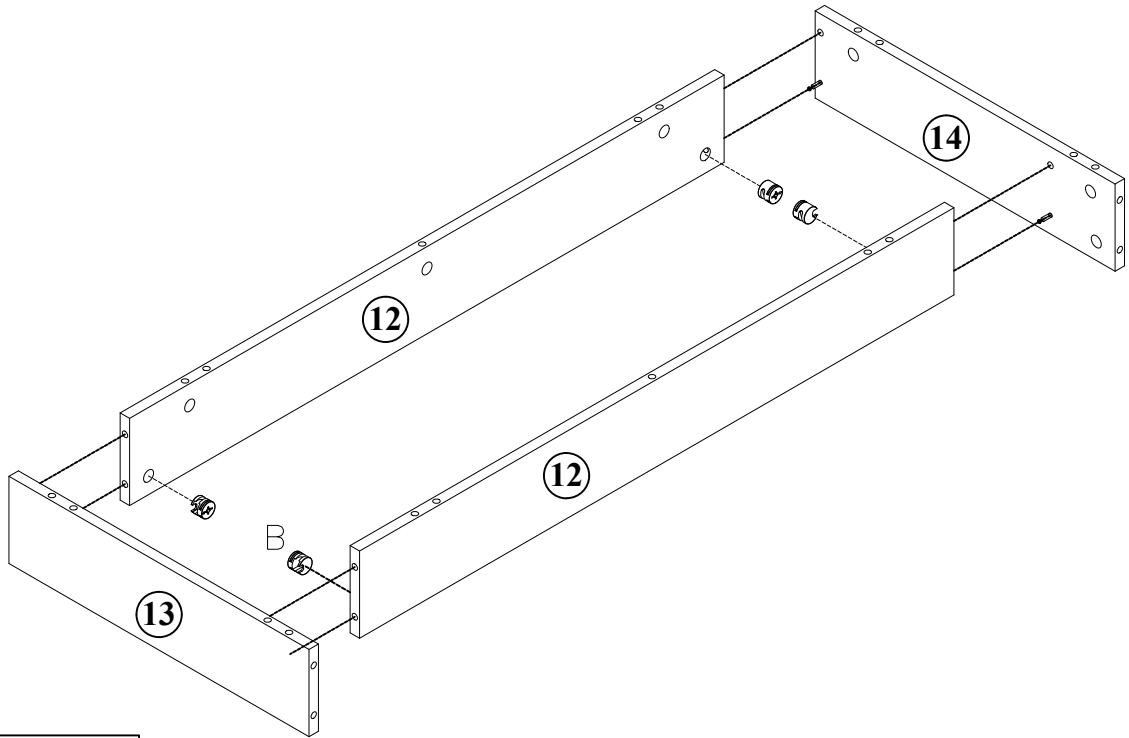
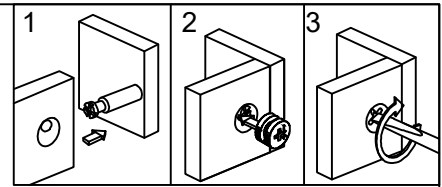
C		x5
D		x6

Step 6



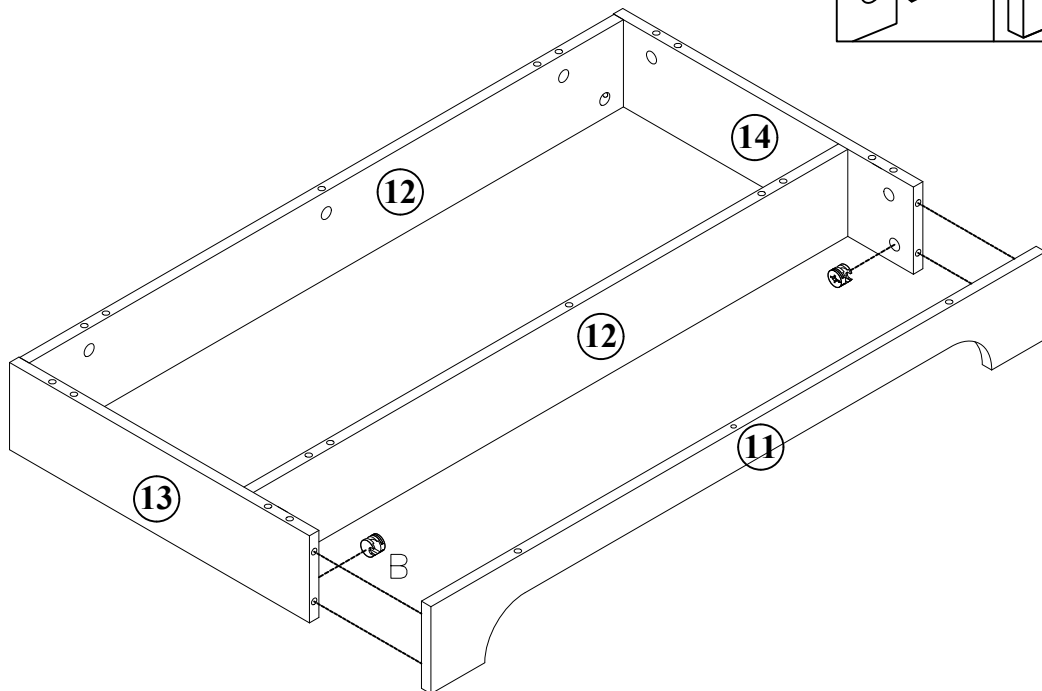
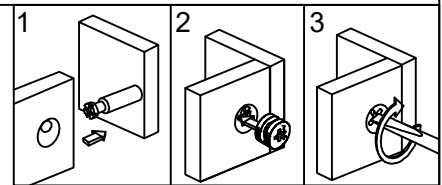
C		x6
A		x6

Step 7



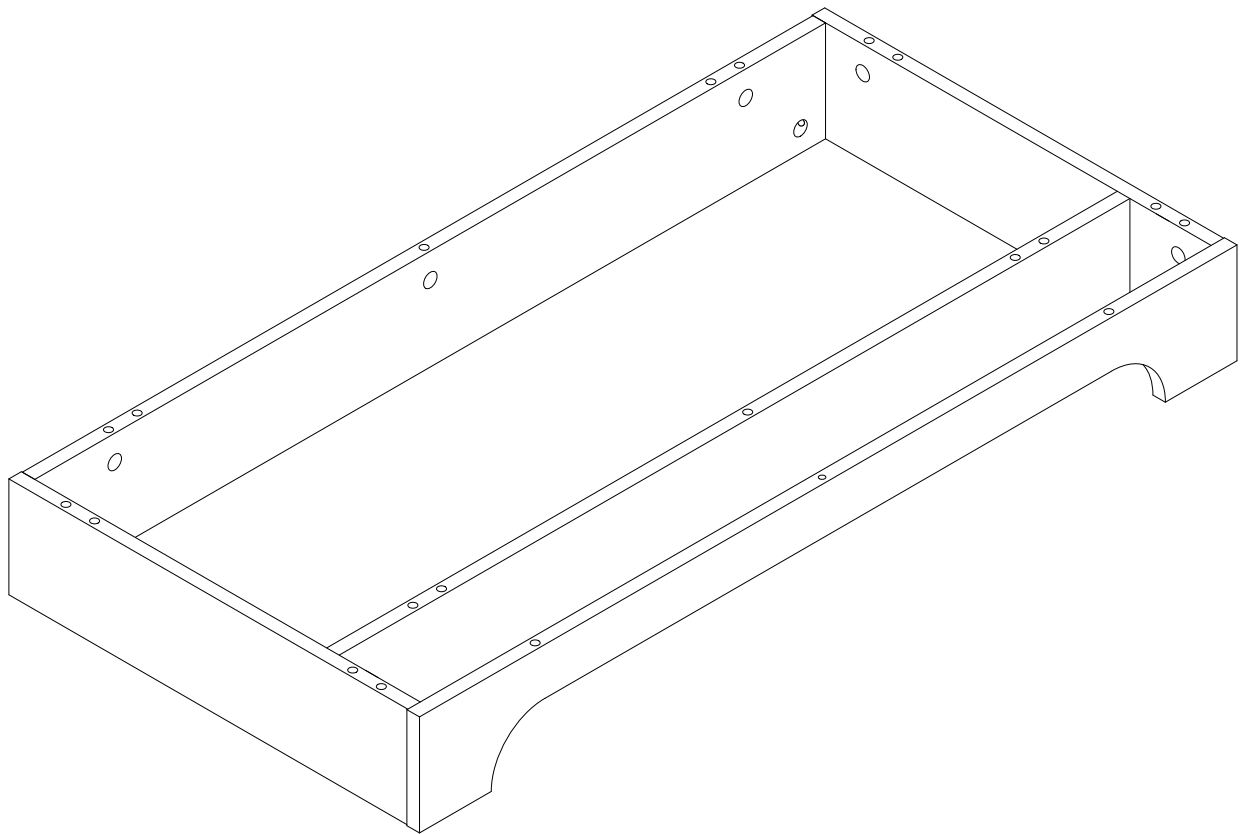
B  x4

Step 8

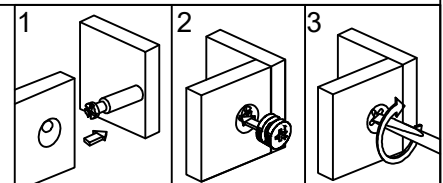
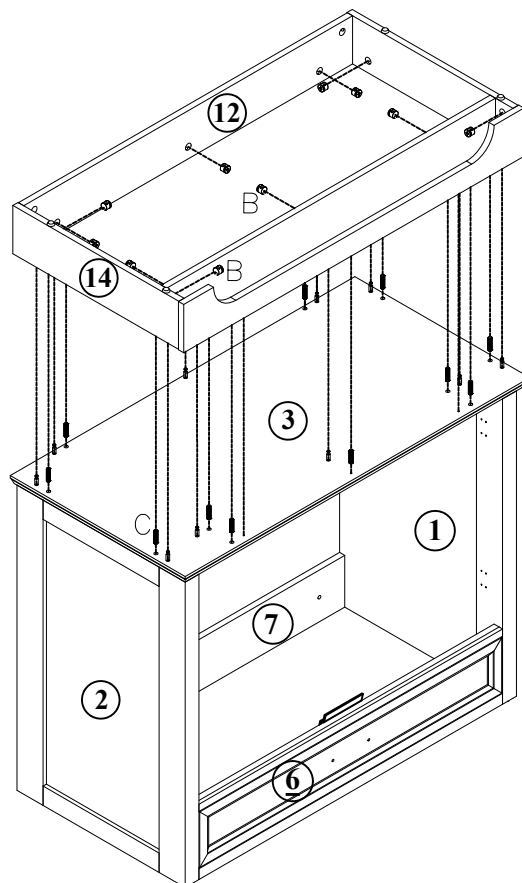




B  x2

Step 9

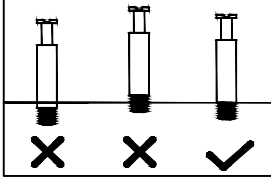
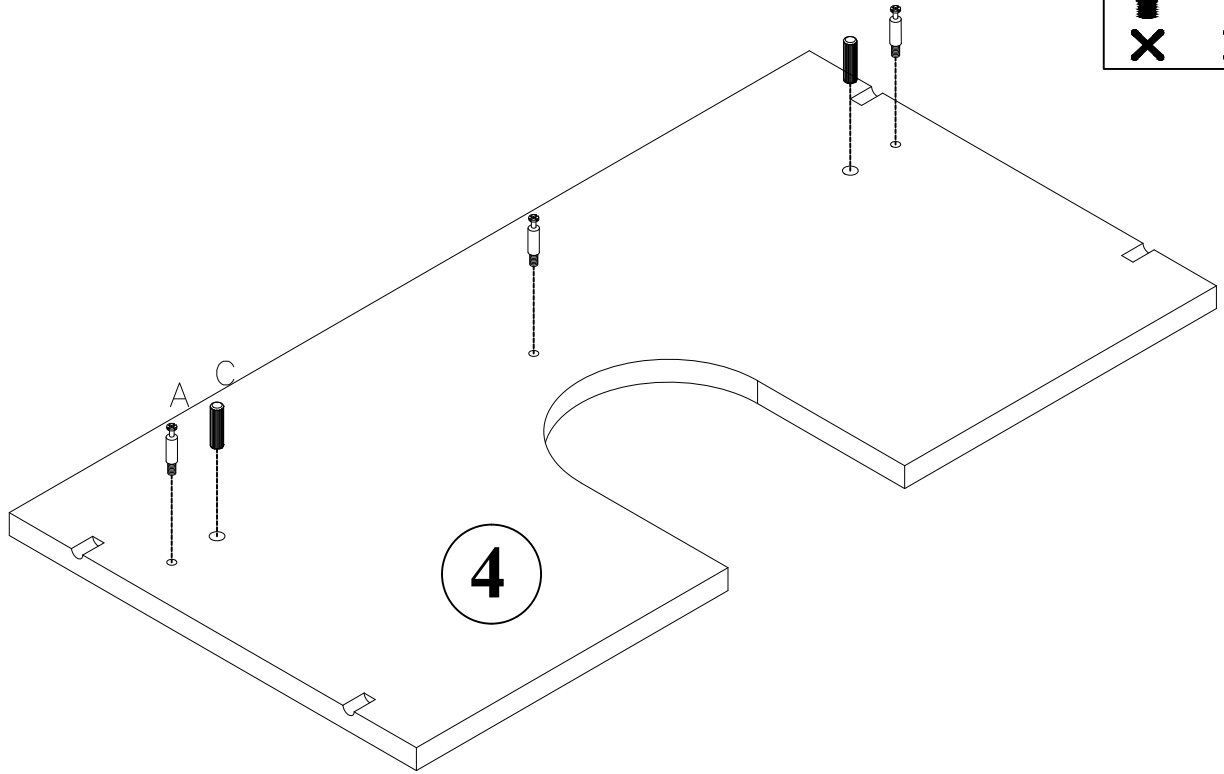



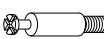
Step 10



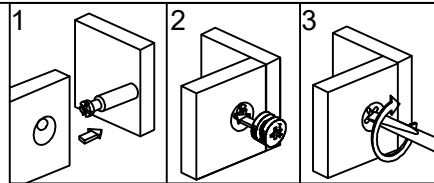
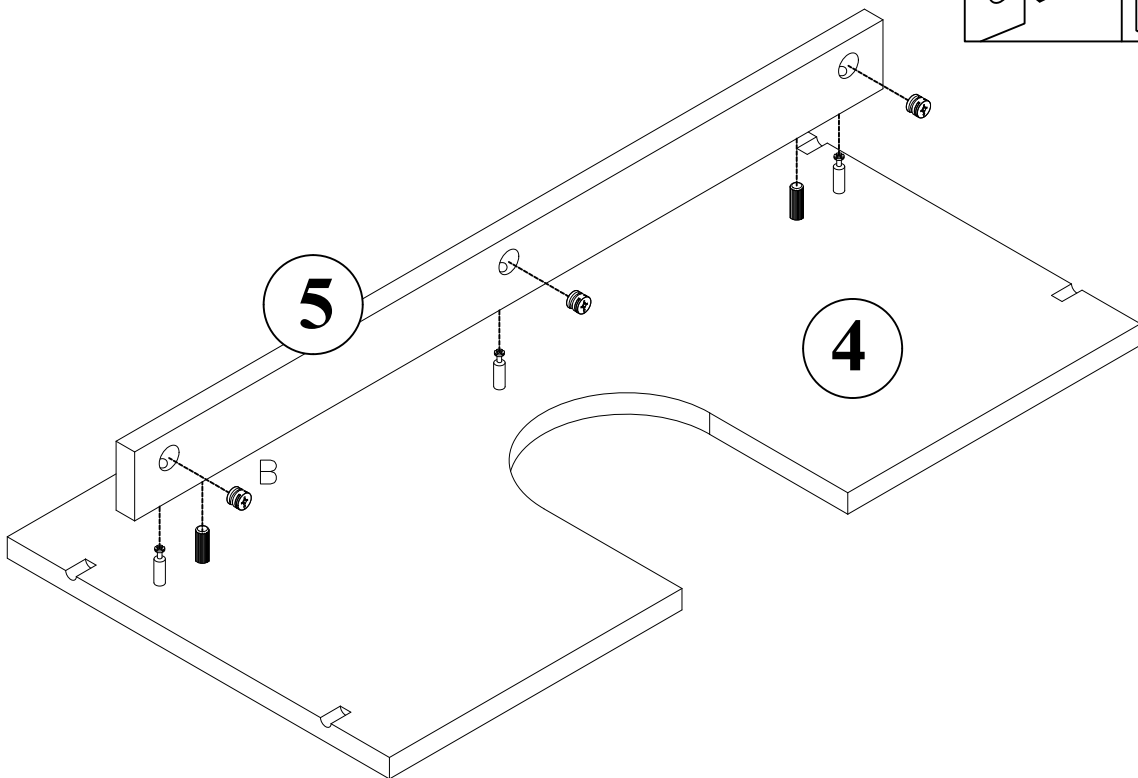
C		x11
B		x10

Step 11



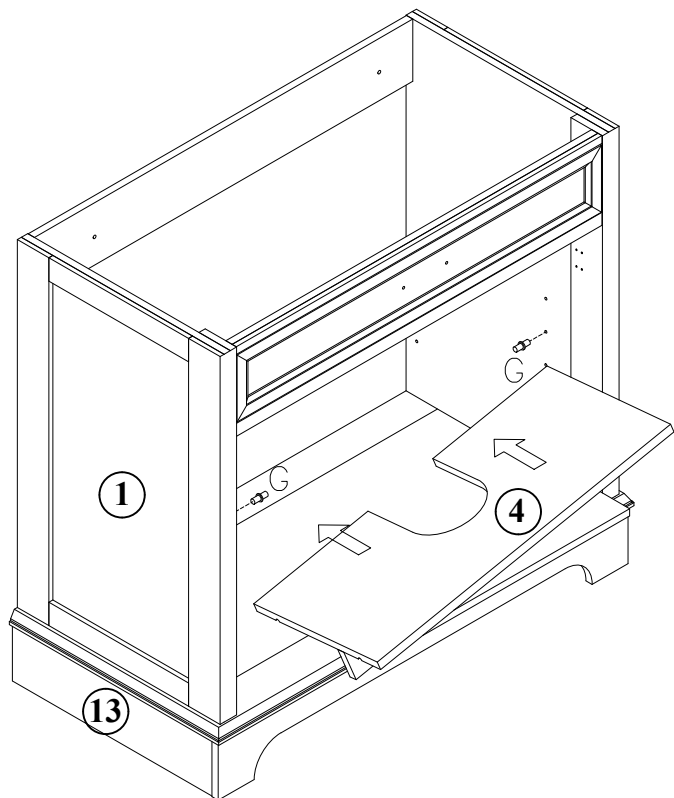
C		x2
A		x3


Step 12



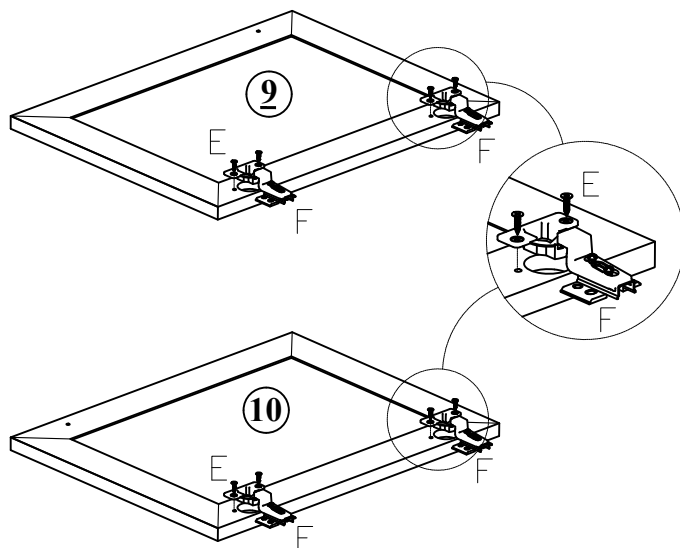
B		x3
---	---	----

Step 13



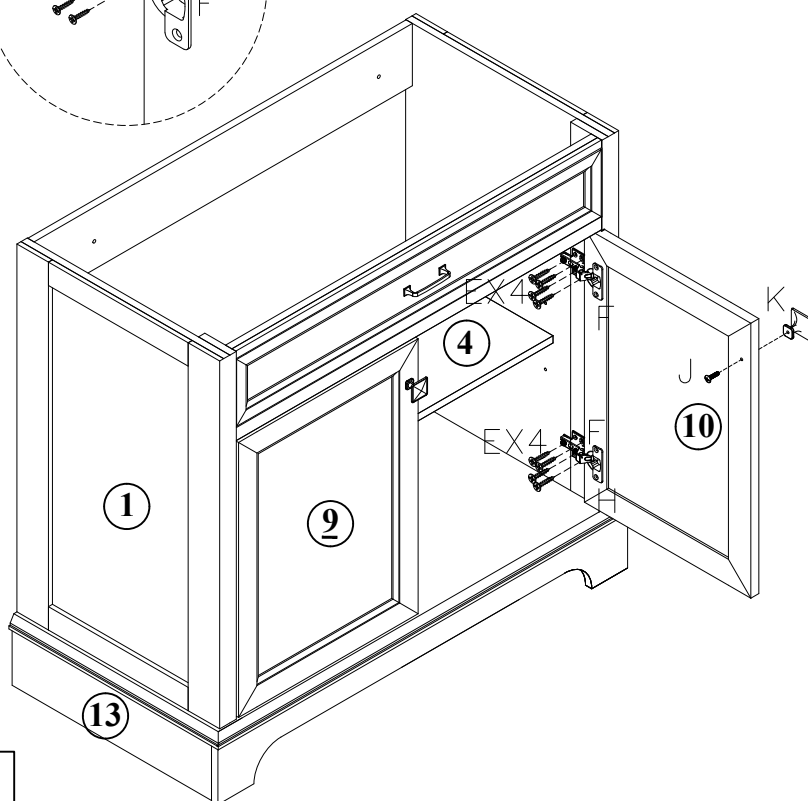
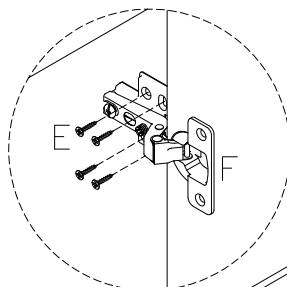
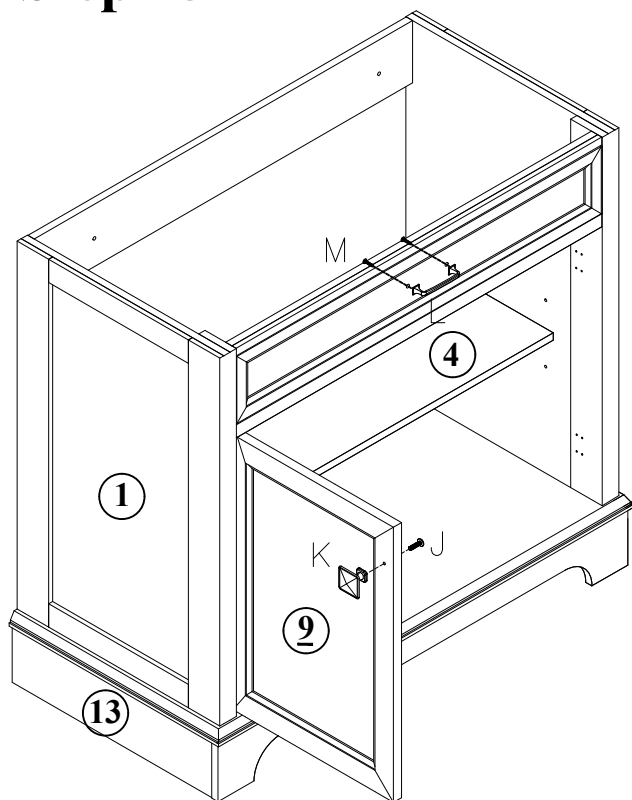
G		x4
---	---	----





Step 14



E		x8	F		x4
---	--	----	---	---	----

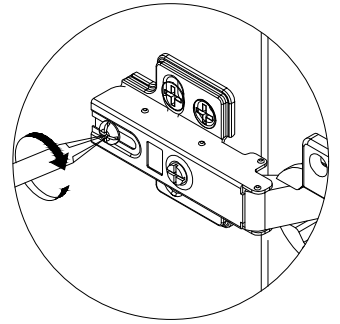
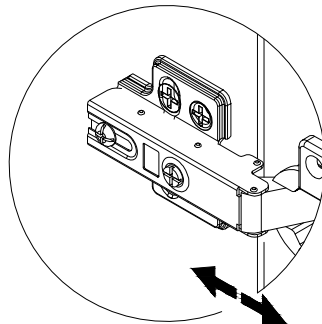
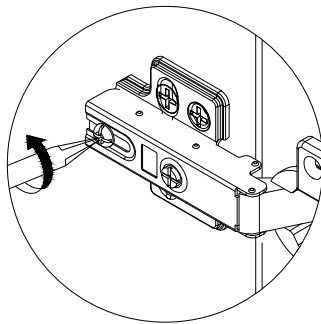
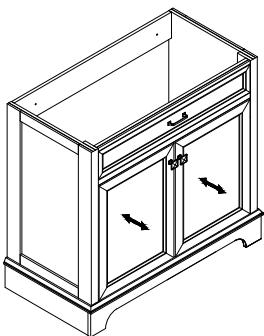
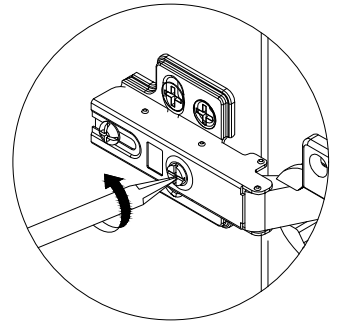
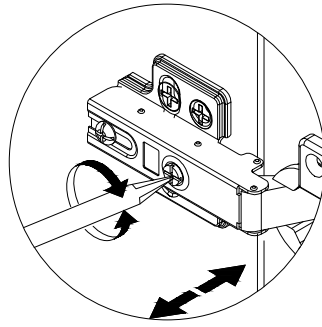
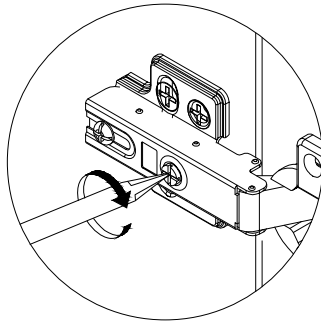
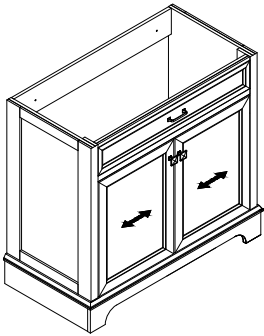
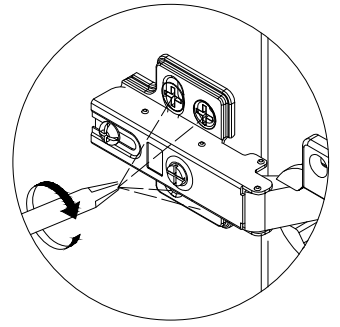
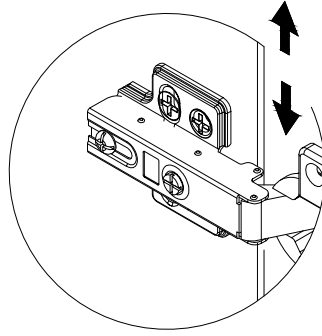
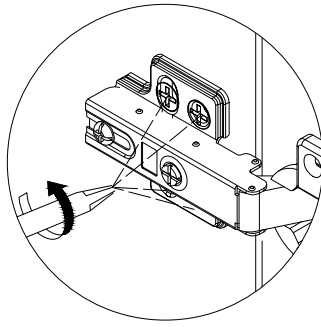
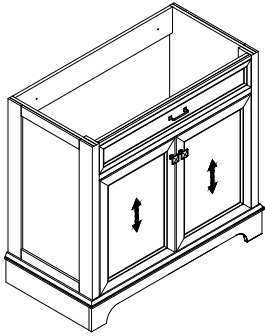
Step 15



E		x16	L		x1
M		x2	K		x2

J		x2
---	---	----

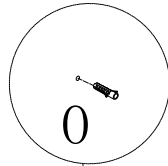
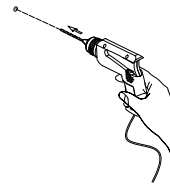
Step 16



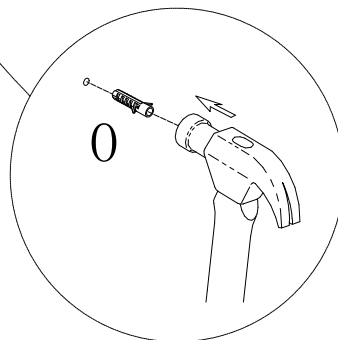
Step 17

WALL

Drill a small holes on the marked position



Insert a wall anchor into the drilled holes



0

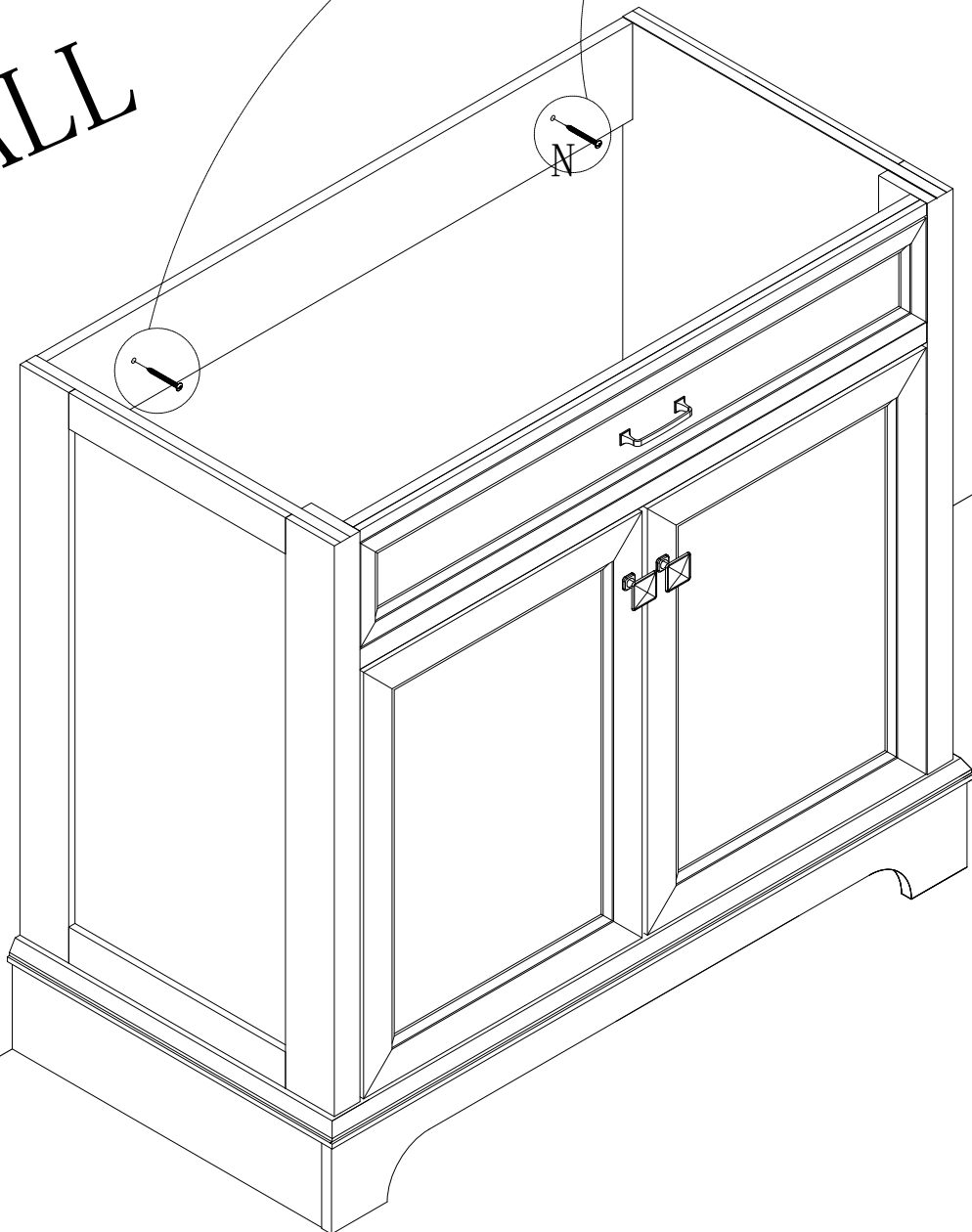
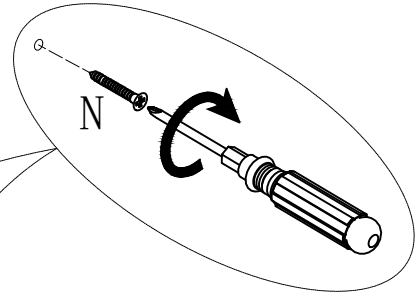


x2

Step 18

Fixed the bathroom vanity with provided screws.

WALL



N		x2
---	---	----

Step 19

*WARNING

Vanity **MUST** be secured to wall.

Note: At this stage it may be easier to install the faucet and drain kit (not included) to top per the manufacturer's instructions.

*With the help of another adult, gently lower top onto the vanity. Wipe away any excess caulk with a soft cloth, and wait approximately 24 hours for it to dry.

*Apply stain free silicone or latex silicone caulk (not included) to the top edge of vanity.

