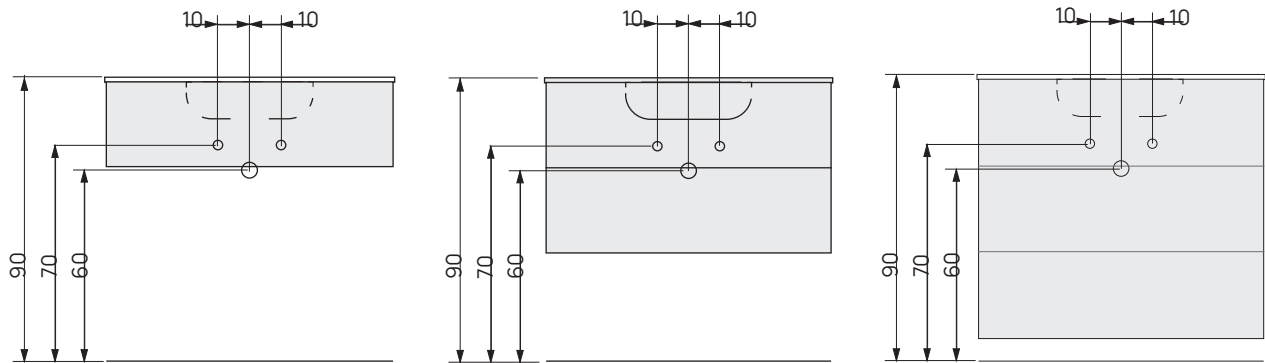


INSTALLATION MANUAL

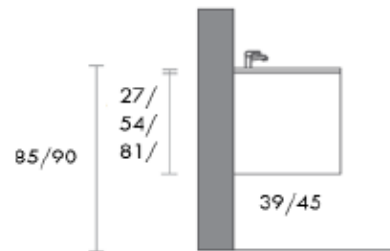
- 1_Technical installation dimensions
- 2_Decospace system installation
- 3_Installation of wall hung vanity
- 4_Installation of wall mounted countertops / skirt
- 5_Adjustment and regulation of Push or soft close doors
- 6_Adjustment of Hettich drawer
- 7_Installation of Columns / Cabinets / Camerinos
- 8_Installation of mirrors and mirror light
- 9_Maintenance and care

1_Technical installation dimensions



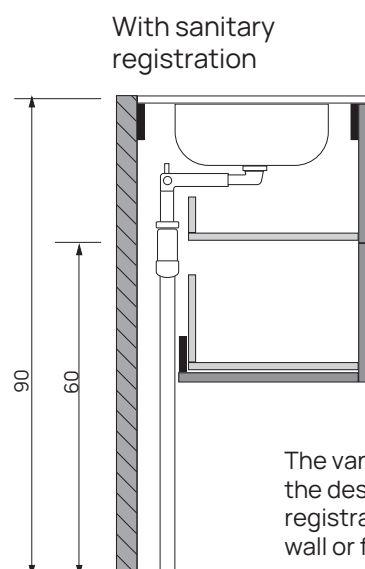
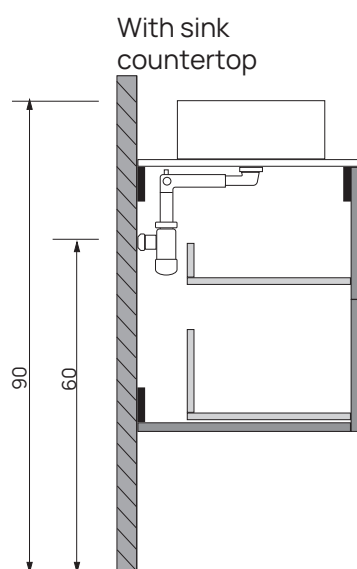
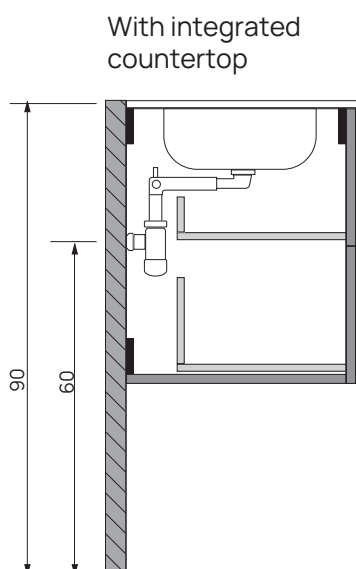
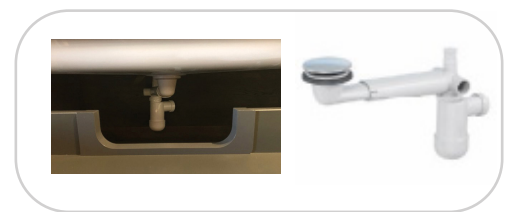
Vanity with a height of 27 and 35cm does not support the Decospace System.

Recommended technical dimensions for the installation of suspended furniture.



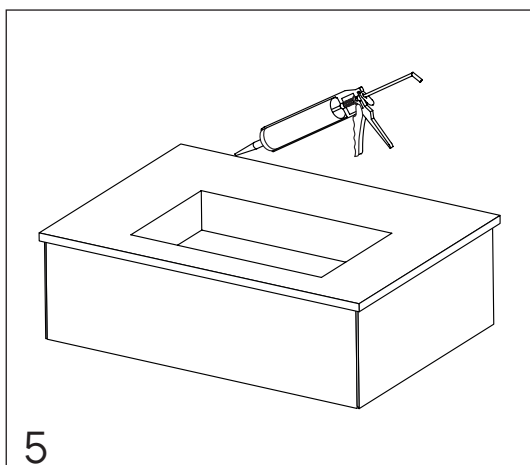
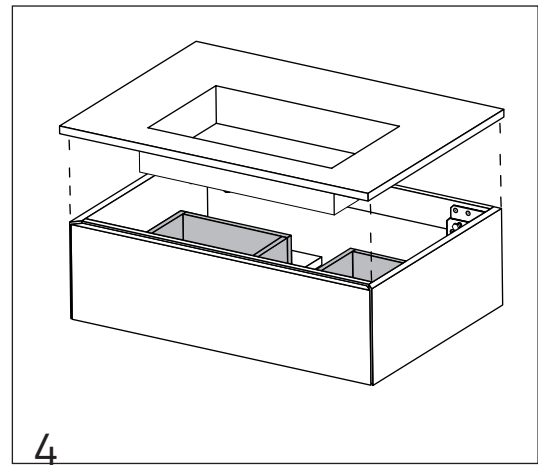
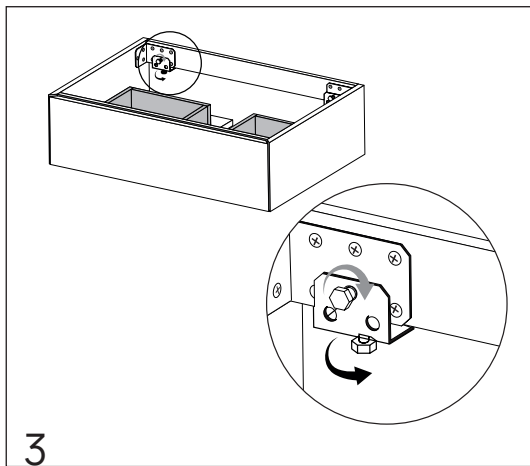
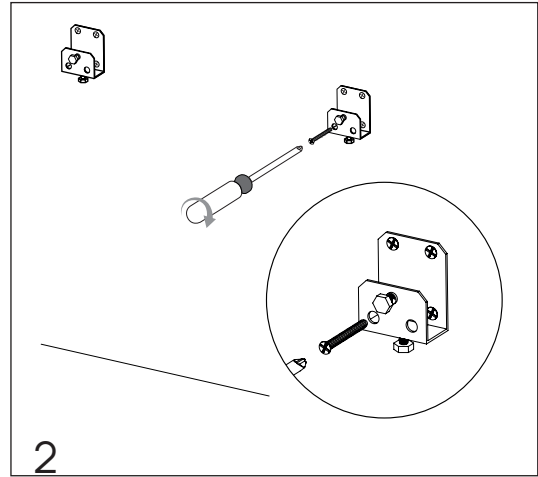
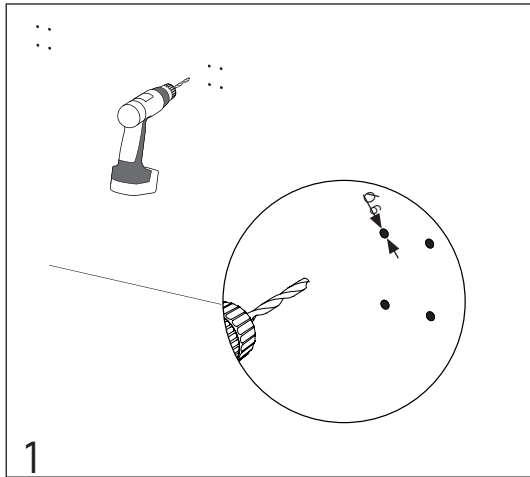
2_Decospace system installation

Your vanity is equipped with the Decospace system in the Atelier Range. Extra in the Play range.



The vanities carries the desired sanitary registration for the wall or floor location.

3_Installation of wall hung vanity



1 Drill holes in the wall to install the Decofix System in the next step.

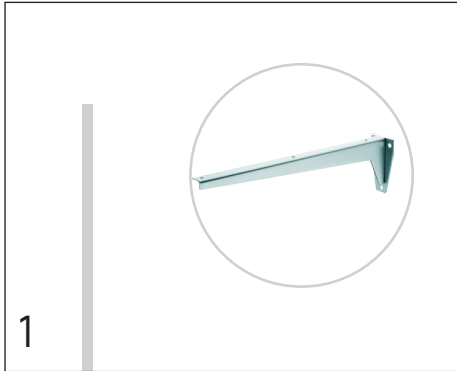
2 Screw the Decofix System to the wall.

3 Adjust the position screwing the screws.

4 Put the worktop on the main body.

5 Put a layer of silicone where worktop and wall join.

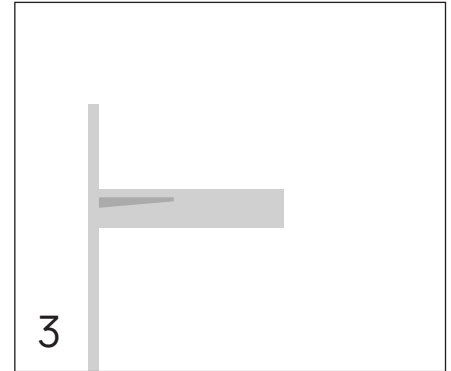
4_Installation of wall mounted countertops / skirt



1
Place the brackets on the wall at a height of 88cm. (for a total height of the counter-top of 90cm).

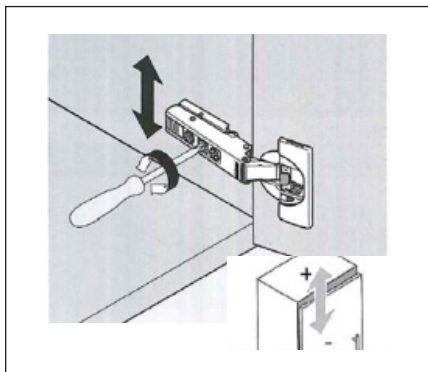


2
Place the countertop on the supports and fix it with a silicone dot. In the case of wooden countertops, scrwe directly.

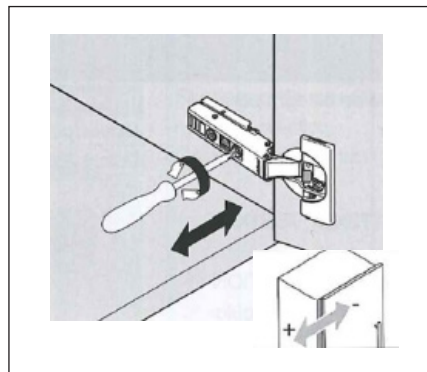


3
Seal the joint between the cpuntertop and the wall with silicone.

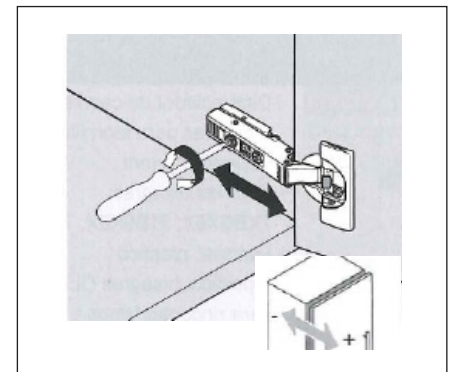
5_Adjustment and regulation of Push or soft close doors



Height adjustment

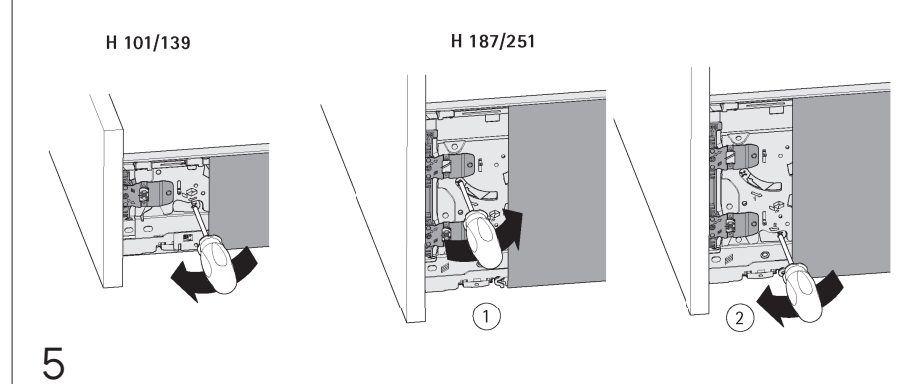
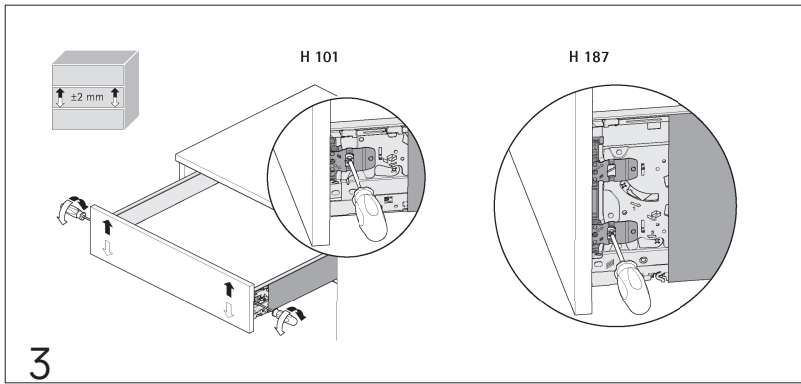
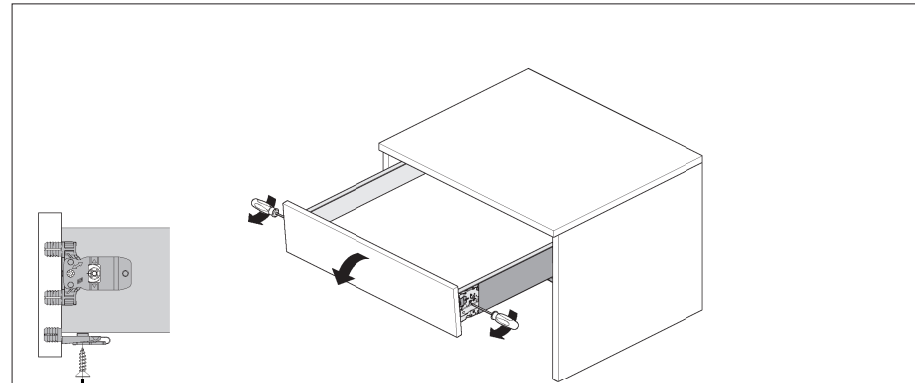
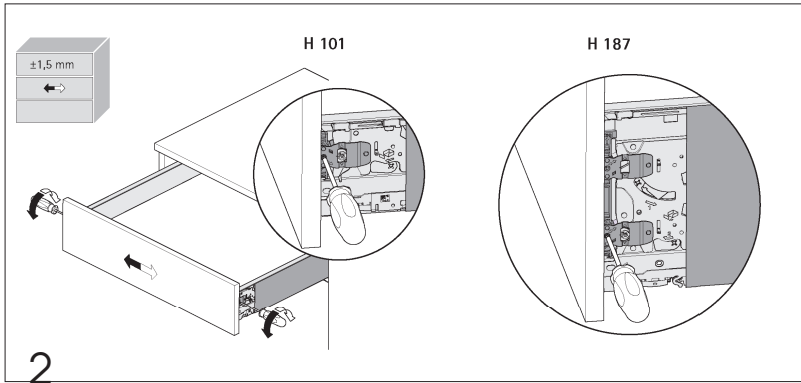
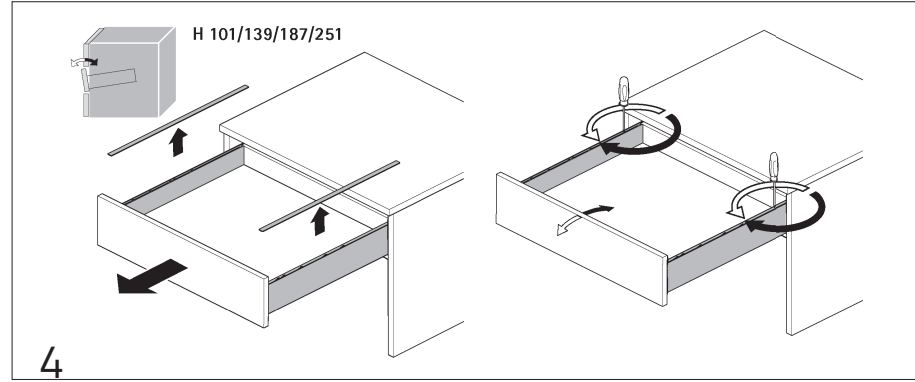
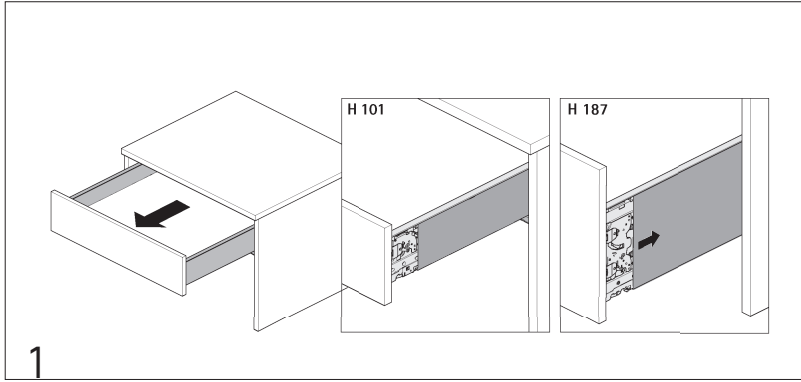


Side adjustment

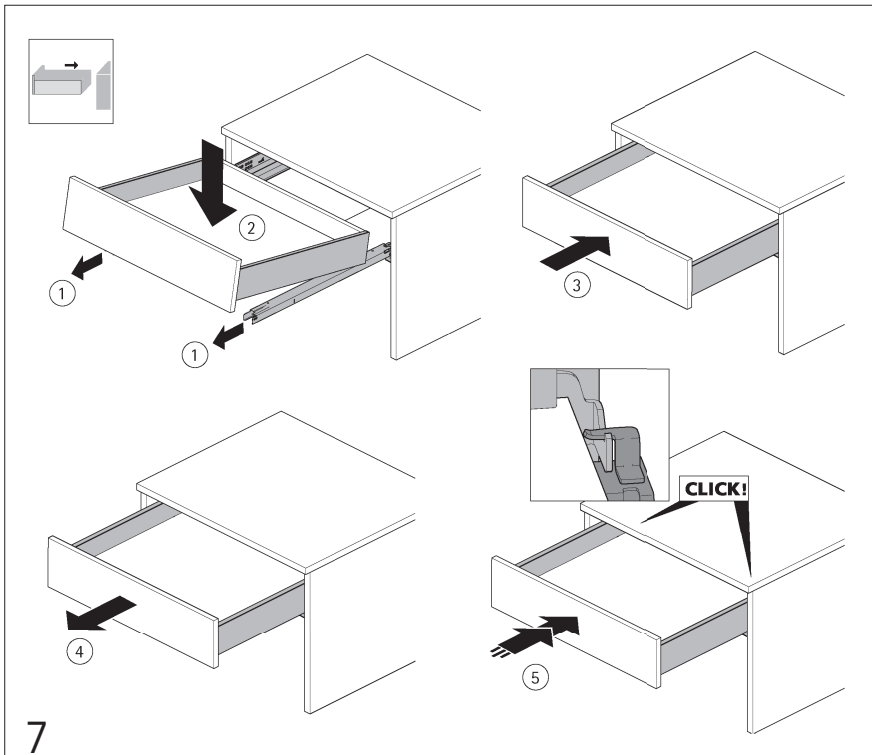
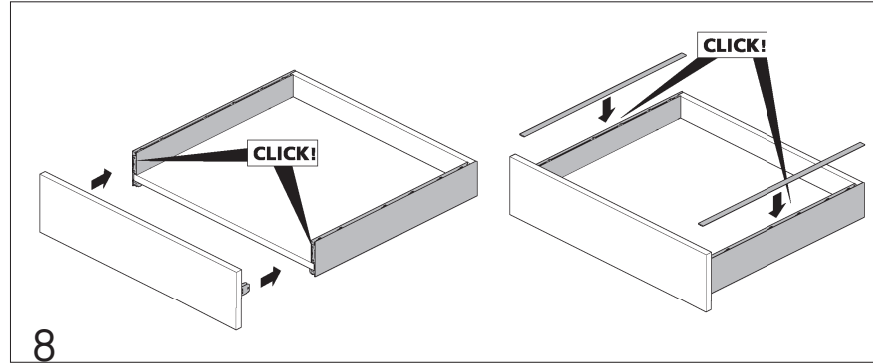
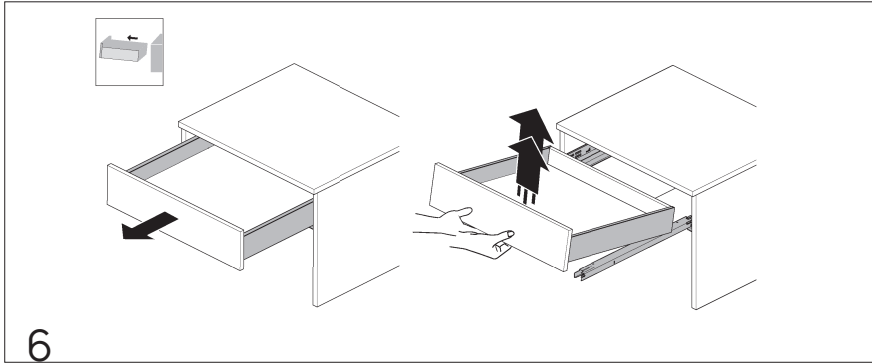


Depth adjustment

INSTALLATION GUIDE Prima Vanity

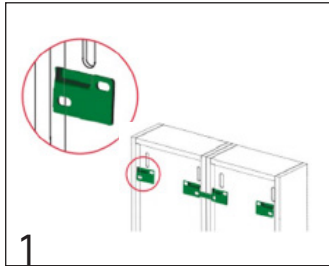


INSTALLATION GUIDE Prima Vanity



6_Adjustment of Hettich drawer - Avantech you

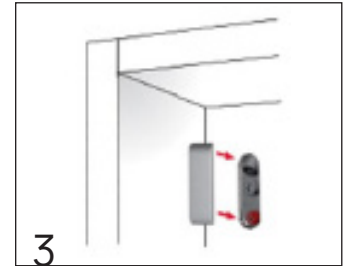
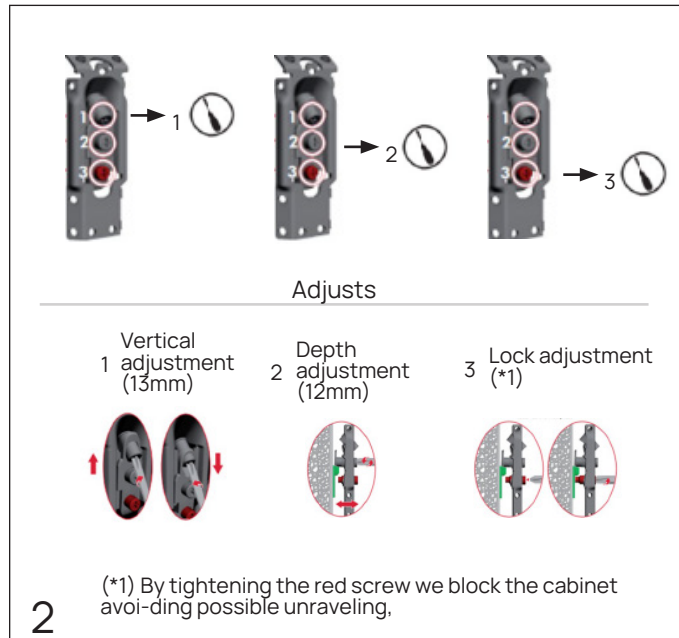
7_Installation of Columns / Cabinets / Camerinos



1
Screw plates.

Screw the plates into the wall at a height of 8cm. lower than the desired height for the furniture installation.

The width between the plates must be equal to the inside of the cabinet hull on the rear.



3
Insert the trim.

8_Installation of mirrors and mirror light

Each mirror and wall light carries the installation manual inside its packaging.

The lighting components, bulbs and transformers are consumables and are exempt from warranty.



9_Maintenance and care

Vanity / lacquer

To keep clean the lacquered surface it is recommended to use a soft cotton cloth moistened with water. For a thorough cleaning, use solvent free glass cleaners and then dry it with a soft cloth

Countertops / marble

To clean marble parts it is only needed to use neutral pH detergent. Avoid using glass cleaners, generic detergents or any other product not specifically labeled to be used on marble surfaces.

Metallic parts

It is strongly recommended to begin using a damp cloth and then dry it carefully with a soft cloth.

Mirrors

Use glass cleaner with a soft cloth.

Lighting

Cleaning with a soft cloth.