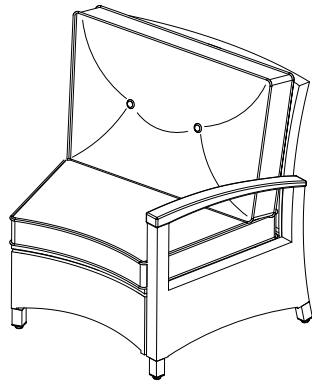
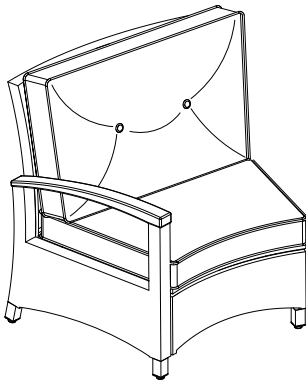


MANUAL INSTRUCTION

**2 Pieces Outdoor Half-Moon Sectional Chairs
with Single Wooden Armrest**



ATTENTION

1. Please check the parts list and hardware list carefully to ensure you've received all the parts.
2. Be sure not to overtighten during installation, and never tighten all screw components until they are all installed on each seat.
3. If there are any missing parts, please contact us with the missing part and the missing part number, we'll resend them to you ASAP.
4. If there are any damaged parts, please contact us with clear pictures or videos. We will offer you the best solution after confirming the issue.

⚠️ WARRANTY AND RETURN

1. We offer a 1-year warranty and free replacement for any damaged or defective parts you receive. Please check the condition of your package upon delivery.
2. If you have any questions, please contact our customer service immediately.

TOOLS REQUIRED



ALLEN WRENCH
(WITH THE PRODUCT)



DO not use machine



2 Persons
Assembly



Minimum
60 Minutes
For Assembly

How To Cover Holes & Repair Broken Wicker

You can use two pieces PE wicker to cover the hole, and repeat the steps to cover all the holes. These PE wicker can also be used to repair the scratch or broken wicker.



Step 1



Step 2

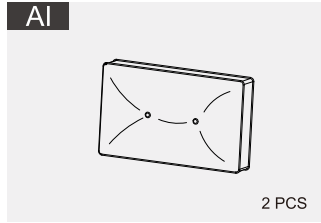
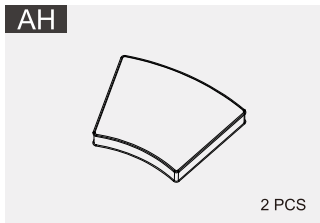
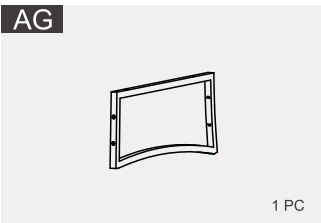
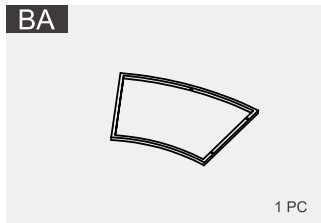
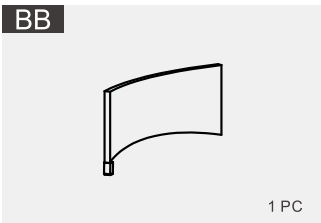
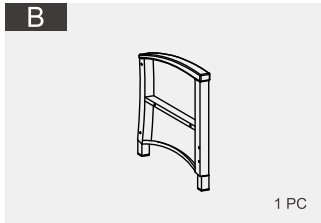
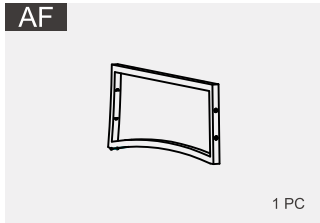
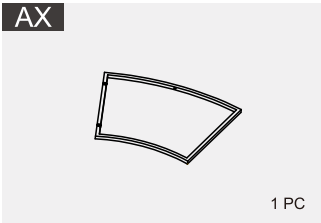
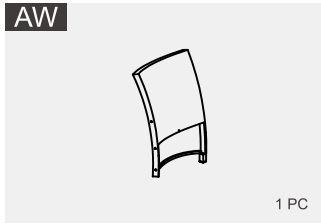
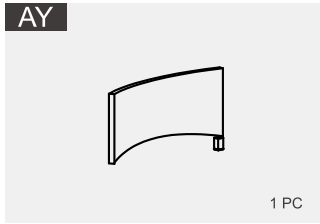
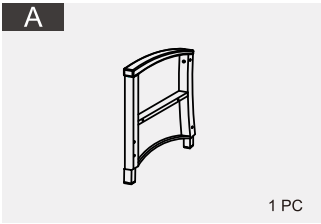


Step 3




Step 4

PARTS Packing List of the Box



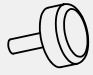
I HARDWARE

4 M6*35mm




26+2 PCS

8 $\Phi 25 \times 20$ mm



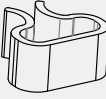
8+1PCS

10 M6



1 PC

13



4 PCS

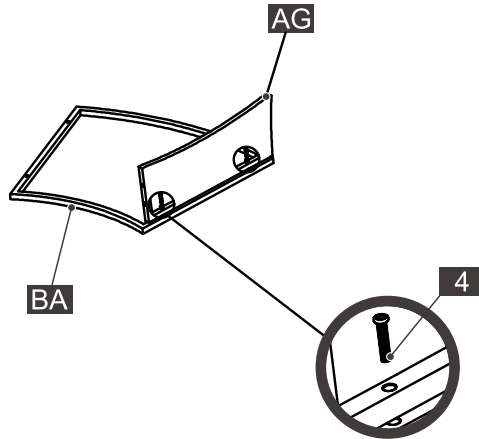
PRODUCT ASSEMBLY

Left Armrest Chair Assembly

1



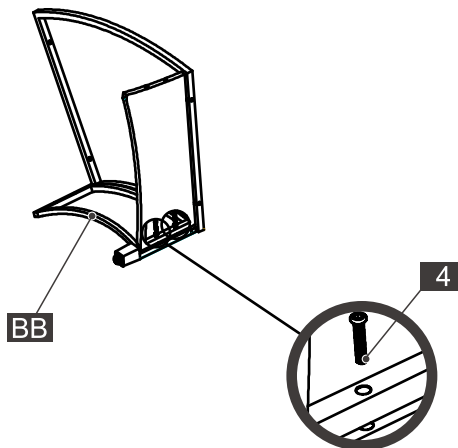
DO not use machine



PART	NO.	QTY.
	BA	1
	AG	1

PART	NO.	QTY.
	4	2

2



PART	NO.	QTY.
	BB	1
	4	2

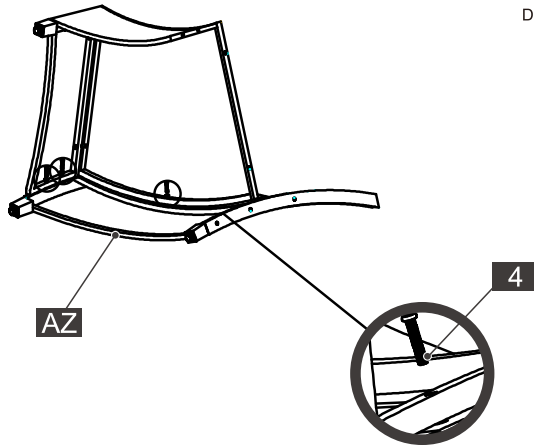
PRODUCT ASSEMBLY

Left Armrest Chair Assembly

3

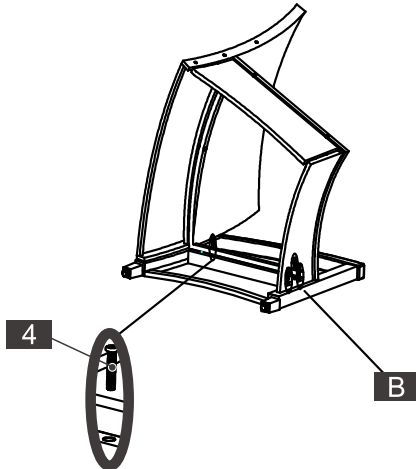


DO not use machine



PART	NO.	QTY.
	AZ	1
	4	3

4



PART	NO.	QTY.
	B	1
	4	4

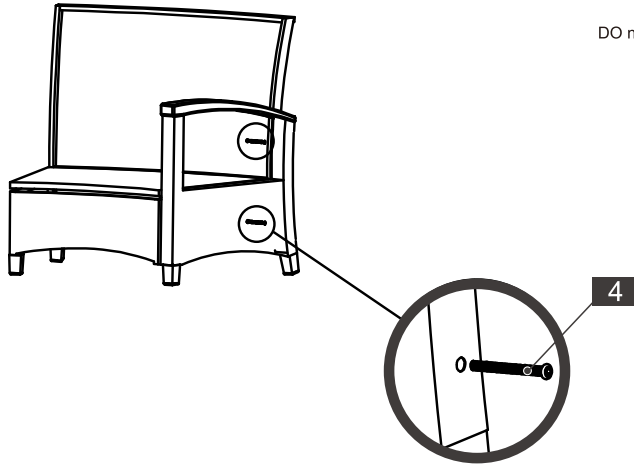
PRODUCT ASSEMBLY


Left Armrest Chair Assembly

5

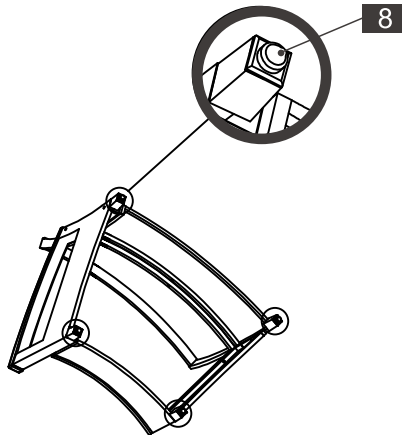



DO not use machine



PART	NO.	QTY.
	4	2

6



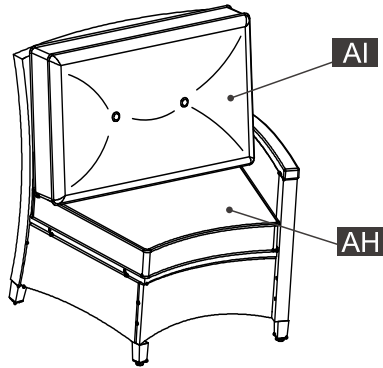
PART	NO.	QTY.
	8	4



PRODUCT ASSEMBLY Left Armrest Chair Assembly

7



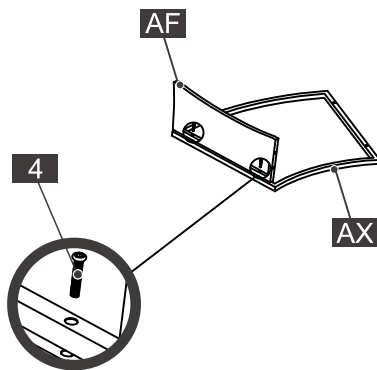
DO not use machine






PART	NO.	QTY.
	AH	1
	AI	1

PRODUCT ASSEMBLY Right Armrest Chair Assembly

1



PART	NO.	QTY.
	AX	1
	AF	1
	4	2

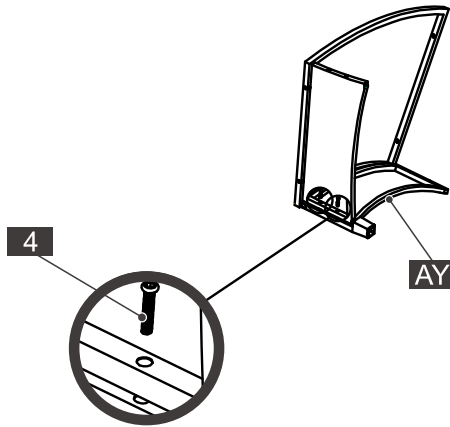
PRODUCT ASSEMBLY

Right Armrest Chair Assembly

2

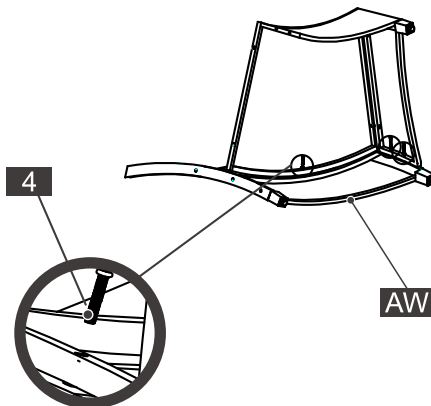


DO not use machine



PART		QTY.
	AY	1
	4	2

3



PART	NO.	QTY.
	AW	1
	4	3

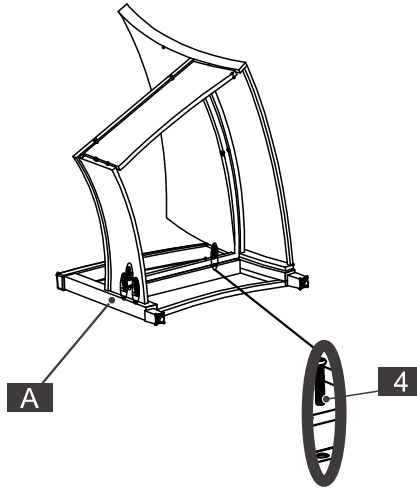
PRODUCT ASSEMBLY



Right Armrest Chair Assembly

4

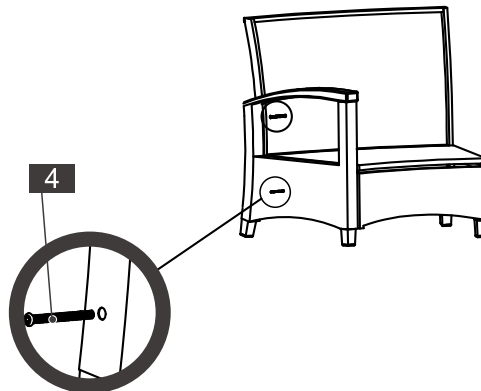



DO not use machine



PART	NO.	QTY.
	A	1
	4	4

5



PART	NO.	QTY.
	4	2

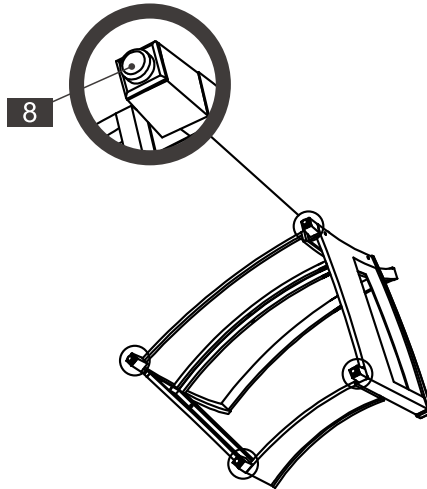
PRODUCT ASSEMBLY


Right Armrest Chair Assembly

6

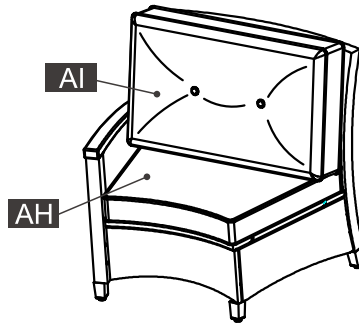




DO not use machine



PART	NO.	QTY.
	8	4

7

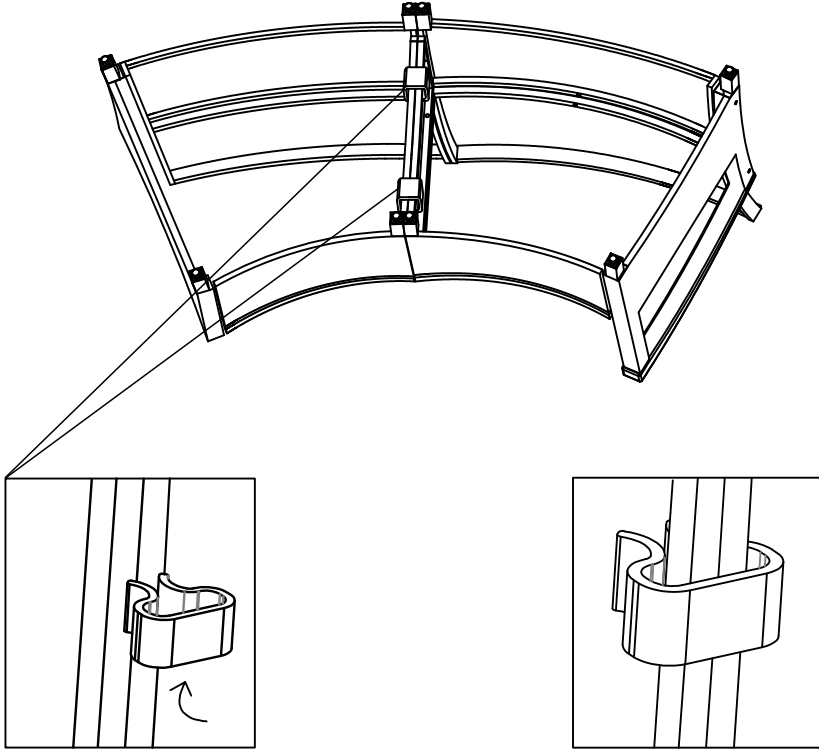


PART	NO.	QTY.
	AH	1
	AI	1

8



DO not use machine



U-Shaped Connector x 2



Notice:
Do not use tools such as hammers;
You can scald it with hot water to soften it.

PRODUCT ASSEMBLY

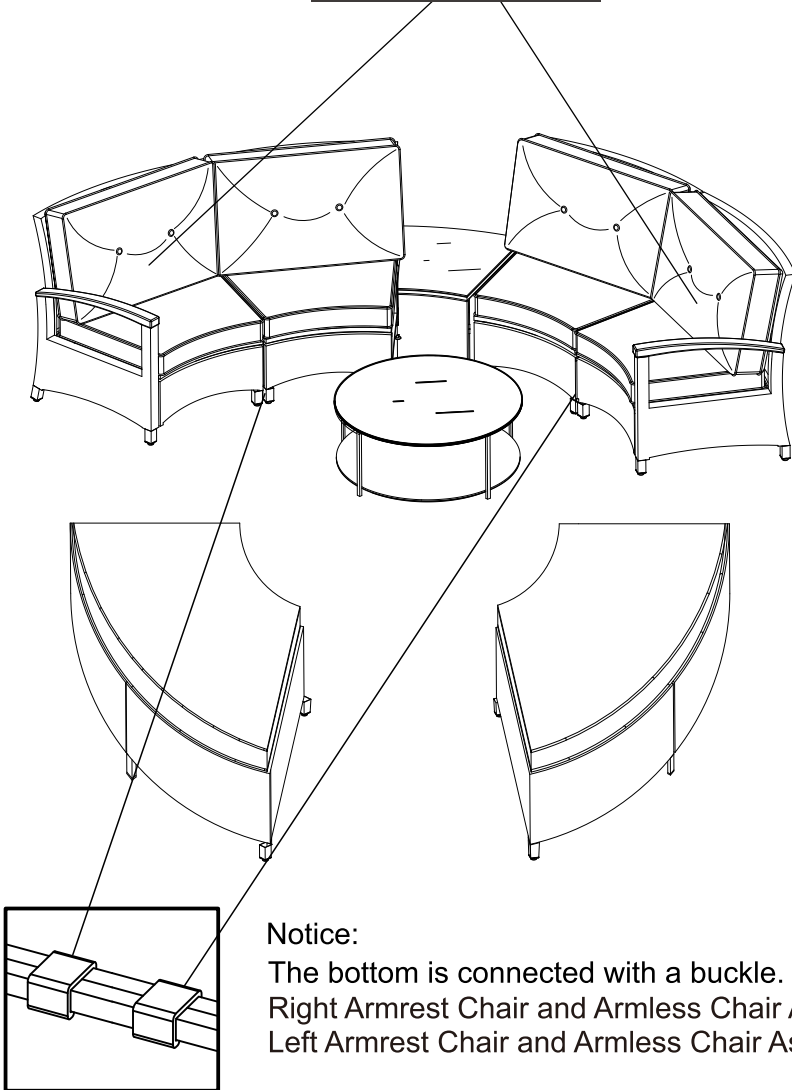
Right Armrest Chair and Armless Chair Assembly

9



DO not use machine

This part is in this box



Notice:
The bottom is connected with a buckle.
Right Armrest Chair and Armless Chair Assembly.
Left Armrest Chair and Armless Chair Assembly.

PART	NO.	QTY.
	13	4