

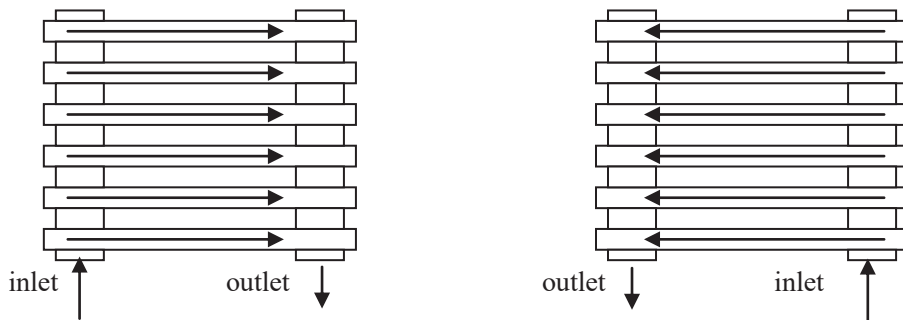
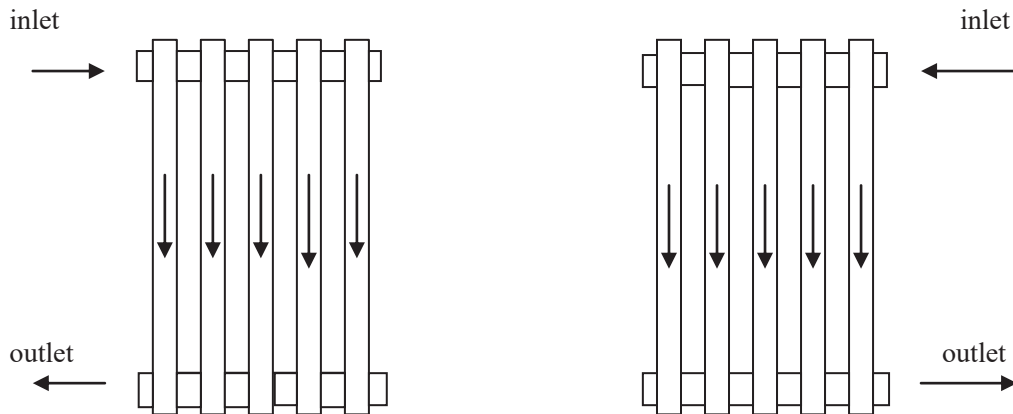
# Installation Instructions

## 1. Installation notes:

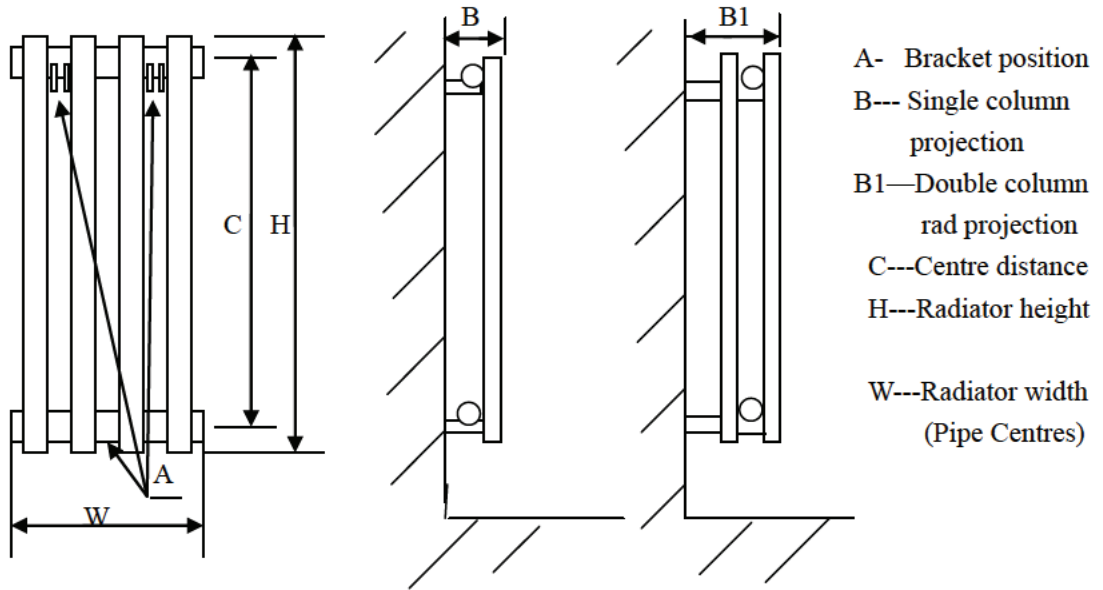
- A.            should be installed in accordance with local water regulatory byelaws.
- B.            must be installed on a closed loop system.
- C. If any part            is cold, please remove any air inside by opening the bleed screw.
- D. Please keep            clean by using a soft damp cloth. No cleaning agents must be used.
- E. Installation must be completed by a qualified plumber.

## 2. Installation notes:

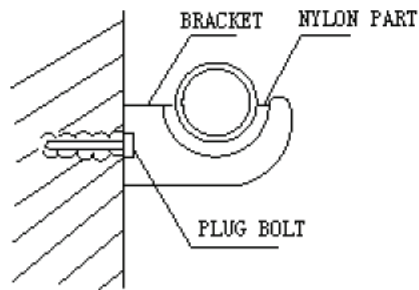
- A. The water flow through the            outlined in the sketches below.



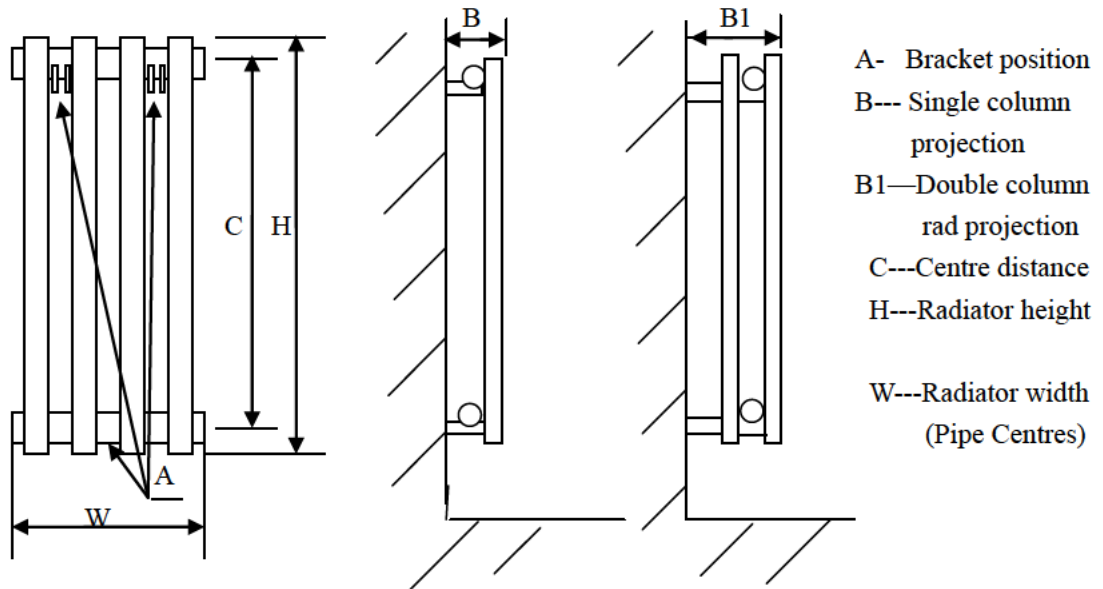
- 3.            valves need to be installed on the inlet and the outlet            . Blanking plug and bleed screw need to be installed in the other threaded holes. Bleed screw to be at top



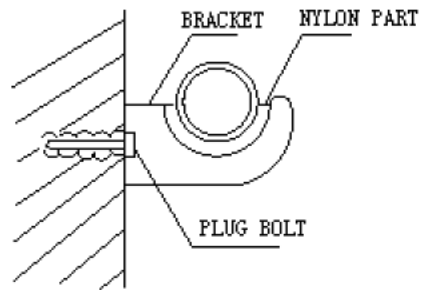
4. Bracket installation.



A SECTION



4. Bracket installation.



A SECTION