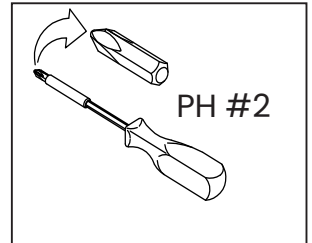
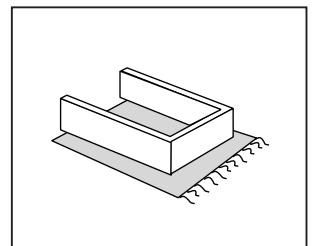
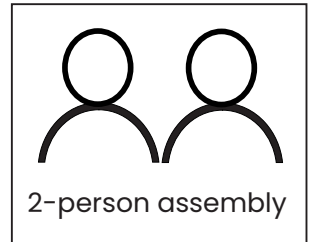
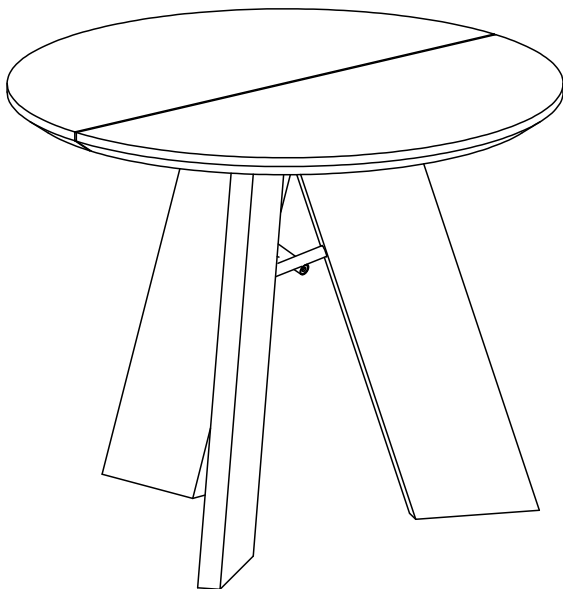
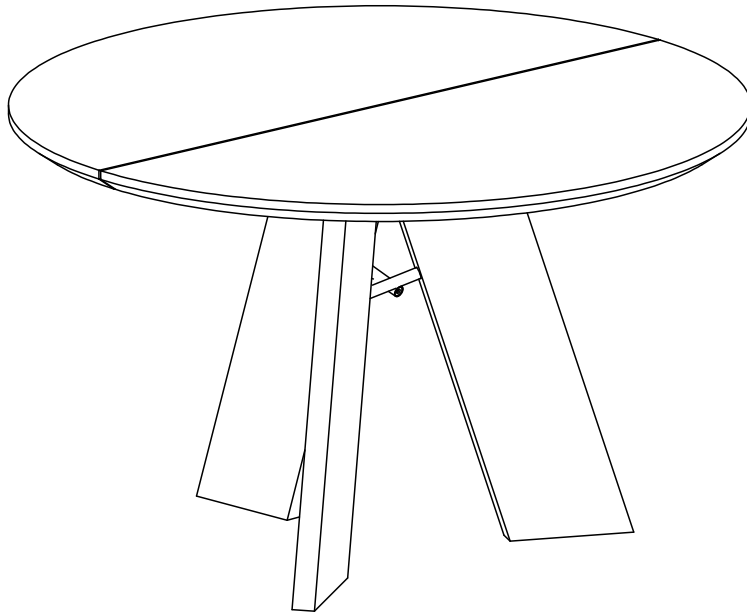


# Assembly Instructions



	Model #	Finish
48" Top	CA4108	Blonde Oak
	CA4110	Brown Oak
36" Top	CA4208	Blonde Oak
	CA4210	Brown Oak
Scandi Plank Base	CA5508	Blonde Oak
	CA5510	Brown Oak

Thank you for choosing Grain Wood Furniture, it is an honor to be in your home!  
 If you have any questions, feedback, or need replacement parts please contact us at:  
[grainwoodfurniture.com/help](http://grainwoodfurniture.com/help) or [support@grainwoodfurniture.com](mailto:support@grainwoodfurniture.com)

**Cascais Collection**  
**Scandi Plank Round Table**

**GrainWood**  
 FURNITURE.COM

---

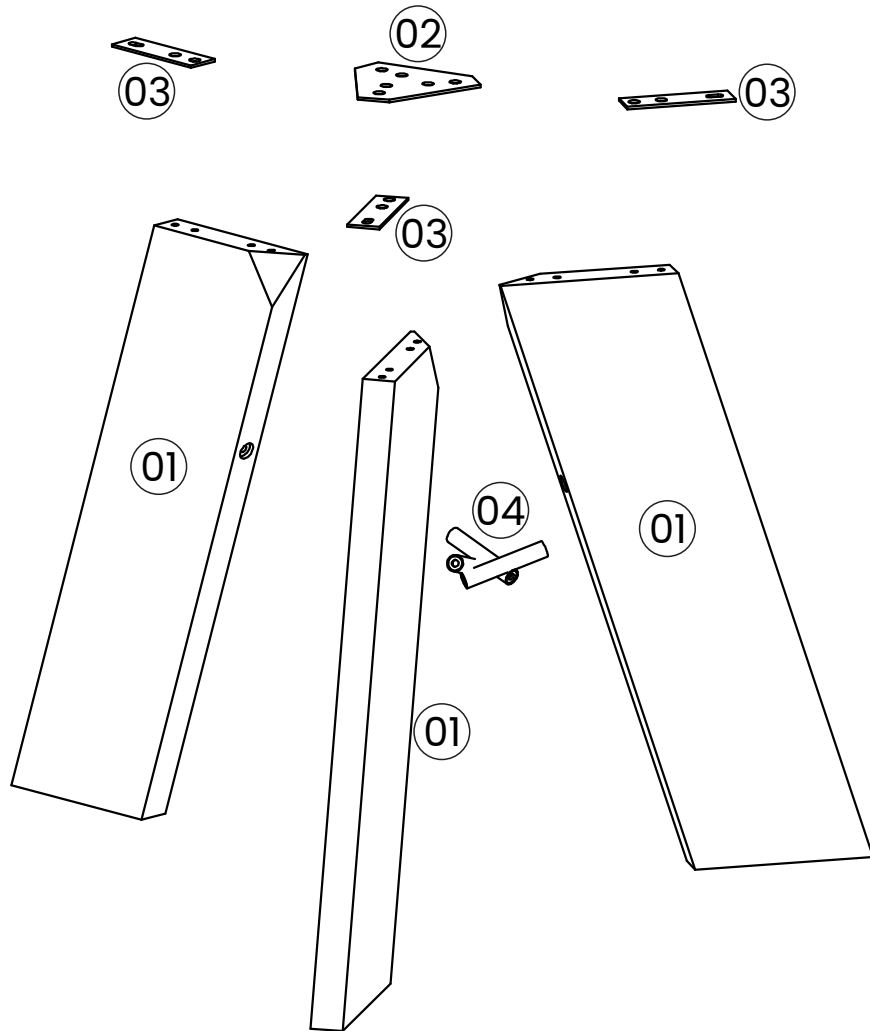
## PLEASE READ BELOW BEFORE BEGINNING ASSEMBLY

- Enlist help from a friend or family member as most items require two people for proper assembly.
- Choose a spacious, open area near where the piece will be located once assembled. It is easier to move parts than to relocate the furniture after it is fully assembled.
- Do not throw away packaging material until assembly is complete.
- Assemble the item on a soft surface, such as cardboard or an old blanket in order to protect the finish from possible dents or scratches.
- Lay out the parts in order and count them twice. In case any parts are missing or damaged, document the problem with pictures and contact support so we can make it right.
- Solid wood furniture may present imperfections such as wood knots, minor splits or cracks which are a natural aspect of the material. Whenever stability of the furniture is not compromised, we recommend customers perform cosmetic touch-ups with wax crayon fillers sold at all major hardware stores.
- It is best to use the tools provided in the box, such as a hex key, because they may be specially sized for the piece of furniture.
- We do not recommend the use of power drills as they can damage your furniture if not used correctly.
- Use a carpenter's square or hardcover book to check angles when assembling drawers and doors. If they are not at 90 degrees, they will not close properly.
- If you have any problems, we are here to help. Just go to [grainwoodfurniture.com/help](https://grainwoodfurniture.com/help).
- See [grainwoodfurniture.com/care-guide](https://grainwoodfurniture.com/care-guide) for suggestions that will help your furniture last for years.



[grainwoodfurniture.com/assembly-troubleshooting](https://grainwoodfurniture.com/assembly-troubleshooting)

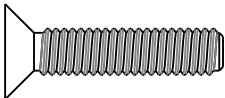
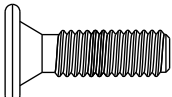
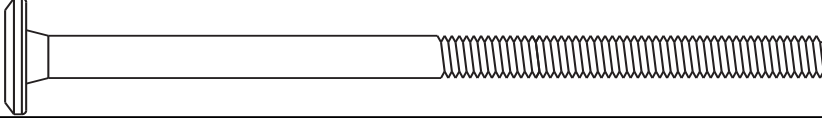

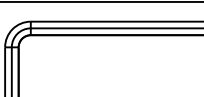
**Enjoy your 100% solid wood furniture!**



BOX 2 (Base)		
Part #	Description	Qty.
01	Wood Legs	3
02	Center Plate	1
03	Metal Bracket	3
04	Metal Truss	1

HW	Hardware	1
----	----------	---

# HARDWARE LIST

B52		1/4x1.1/4"	12+1
B53		1/4x30 ø17	3+1
B13		1/4x130 ø17	3+1
G12		30x30	6+1
G13		4mm	2

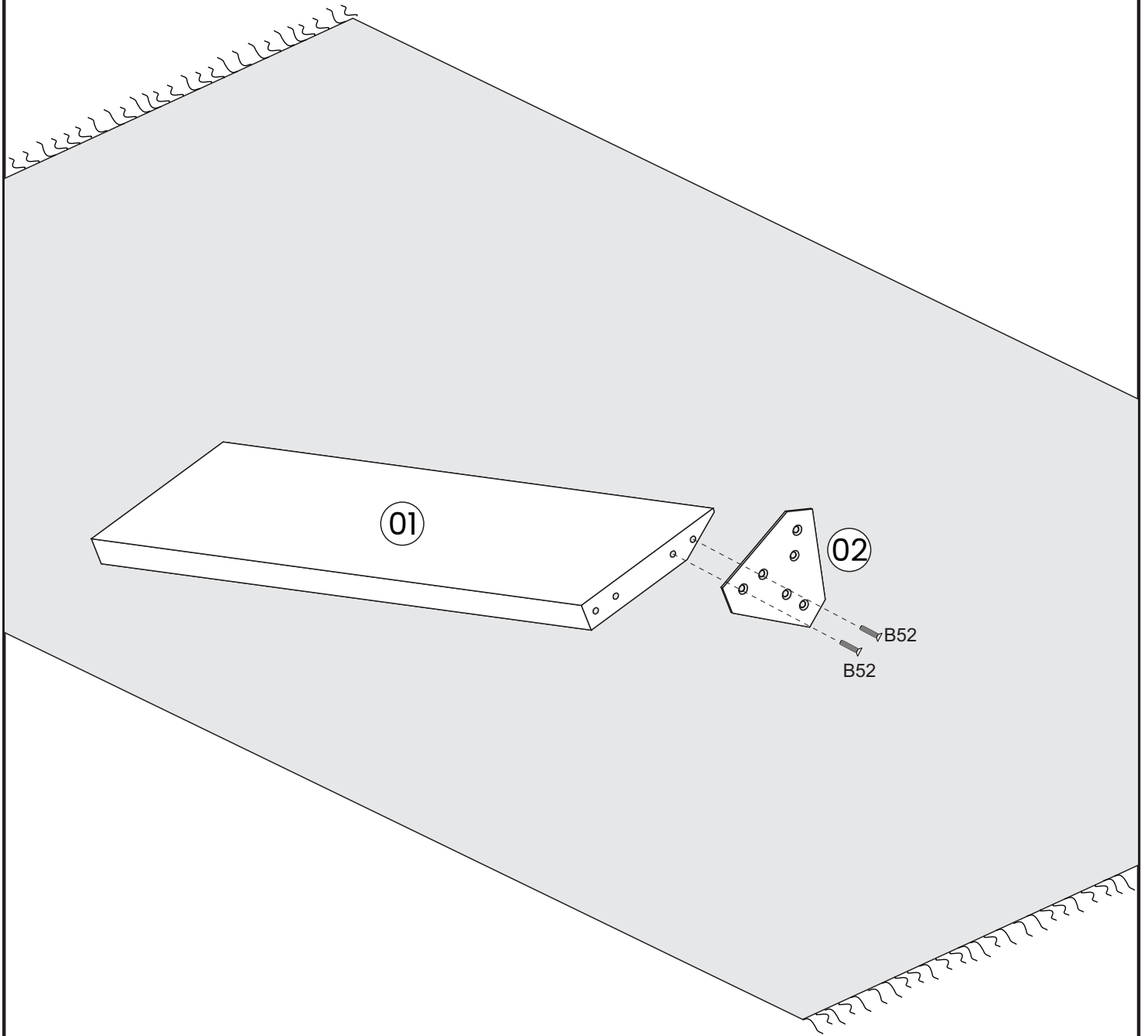
 **ATTENTION**

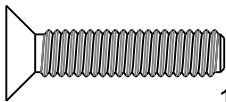

Before starting assembly please verify the hardware set is complete.

For missing hardware please contact us at [grainwoodfurniture.com/help](http://grainwoodfurniture.com/help)

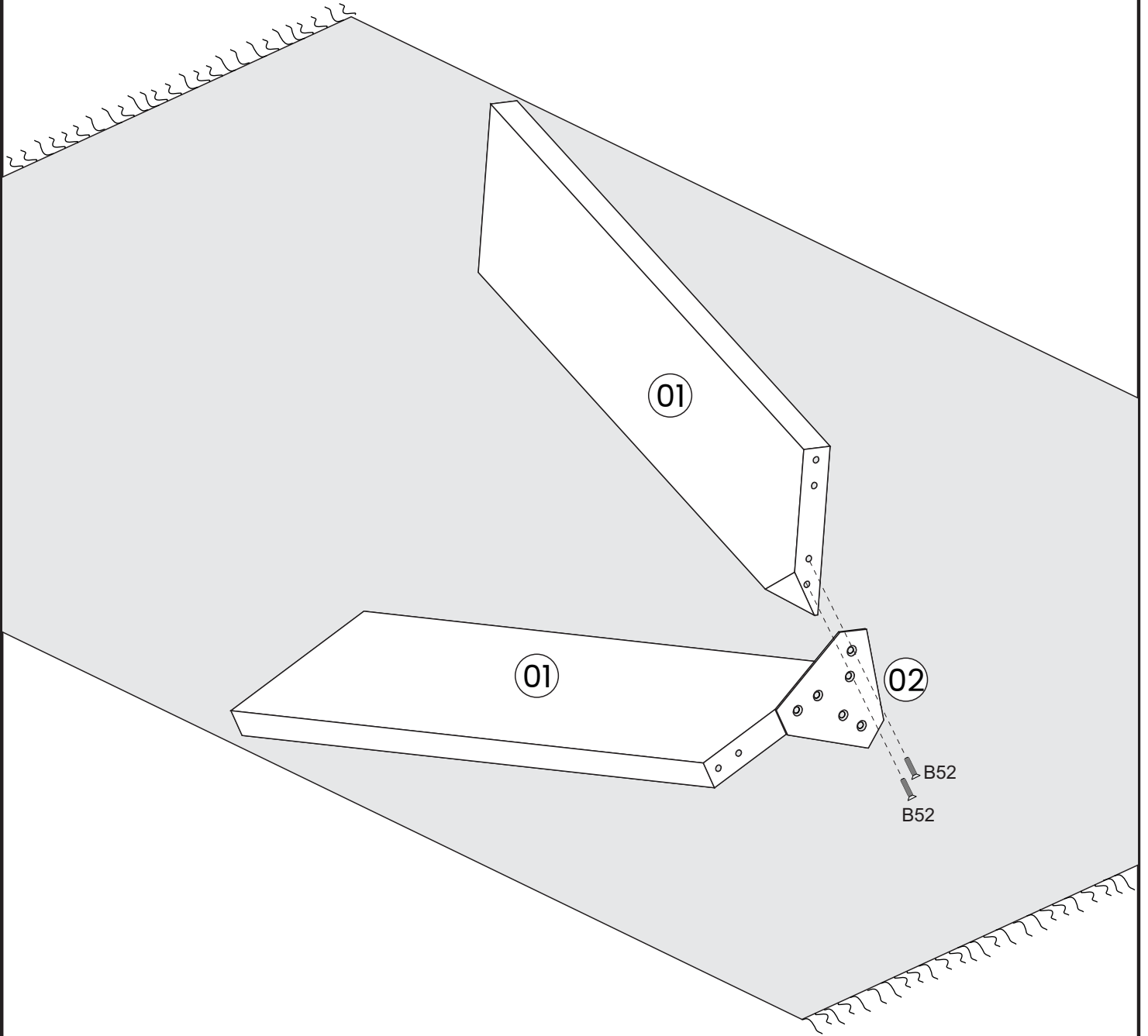
**WARNING:**  
**CHOKING HAZARD**  
Small parts, not for children.  
To be assembled by an adult.

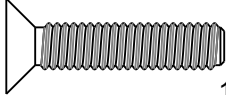

1) Tip: Use a rug or cardboard for floor protection.



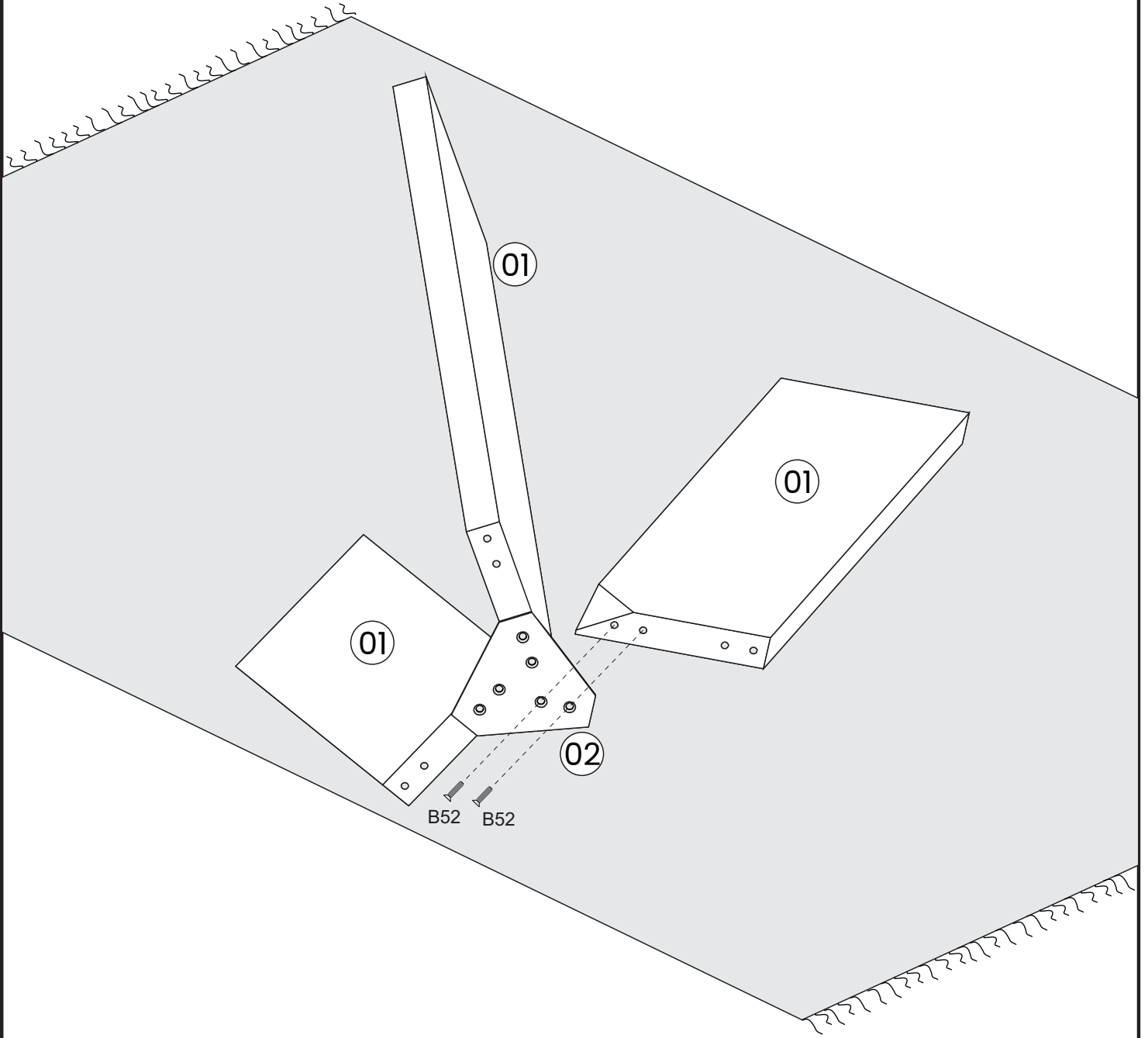
B52	 1/4x1.1/4"	2
G13	 4mm	1

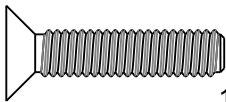

2)



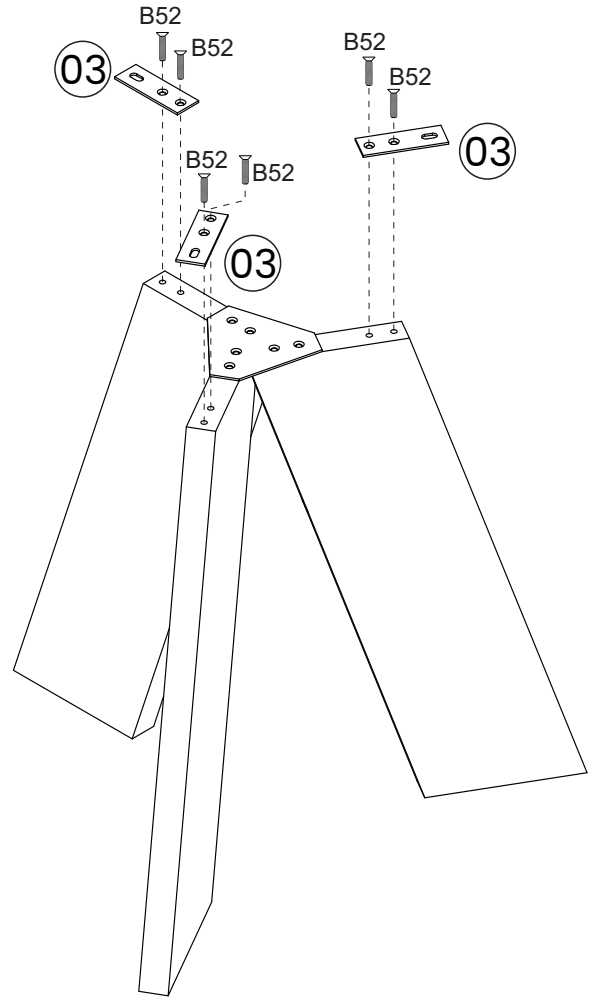
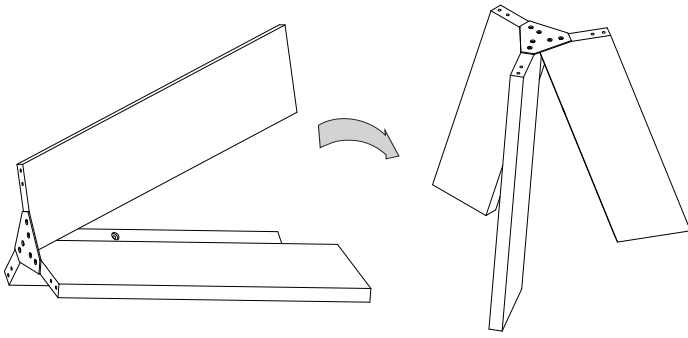
B52	 1/4x1.1/4"	2
G13	 4mm	1

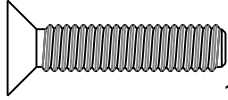
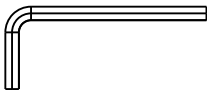
3)



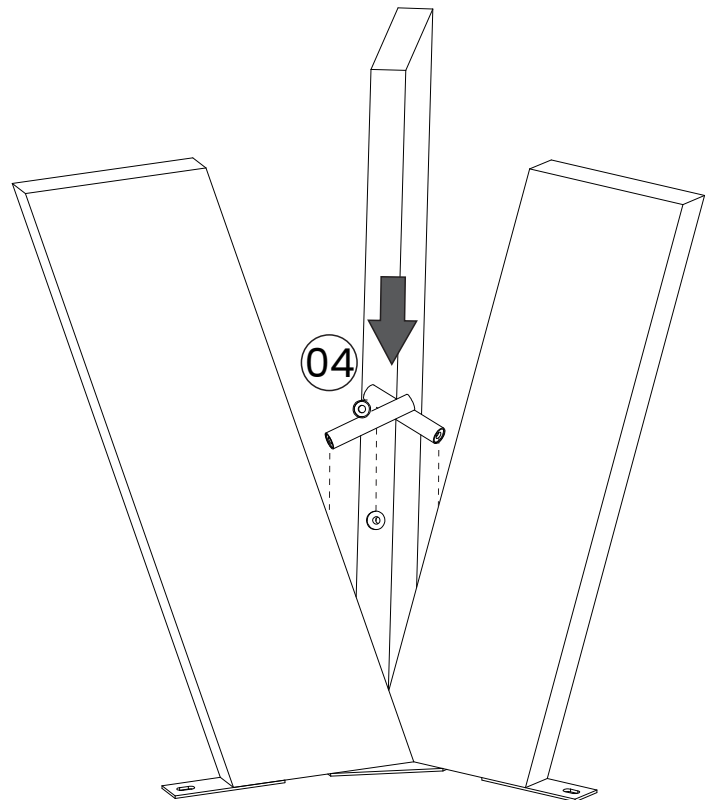
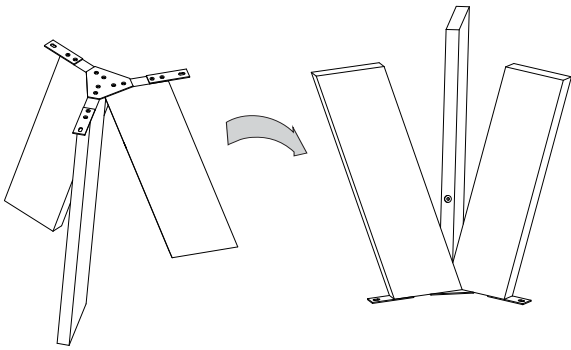
B52	 1/4x1.1/4"	2
G13	 4mm	1

4)

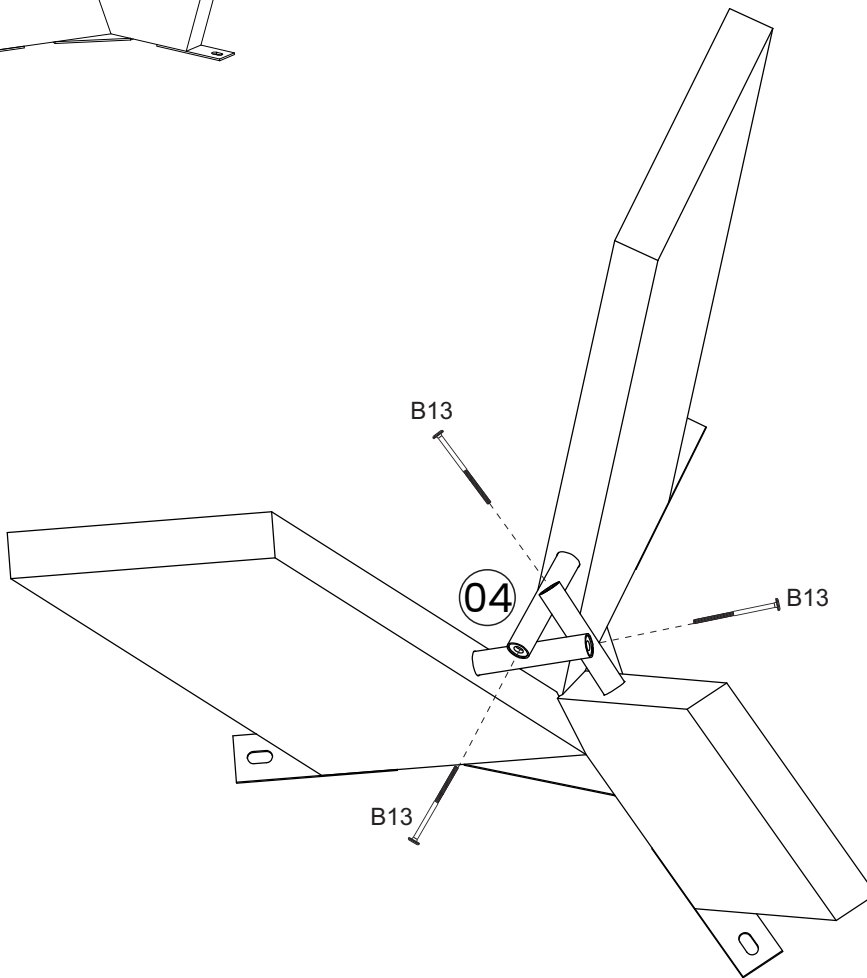
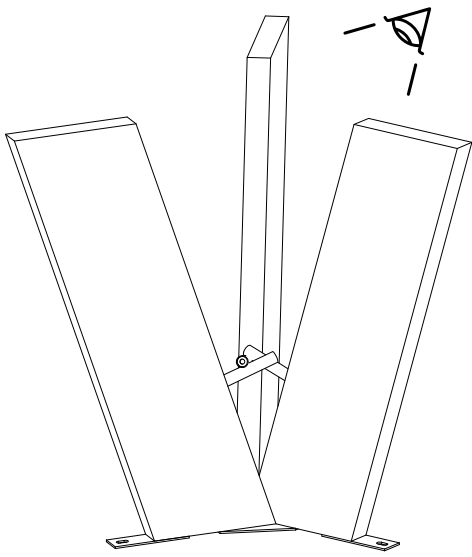


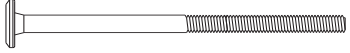

<b>B52</b>	 1/4x1.1/4"	<b>6</b>
<b>G13</b>	 4mm	<b>1</b>

5)

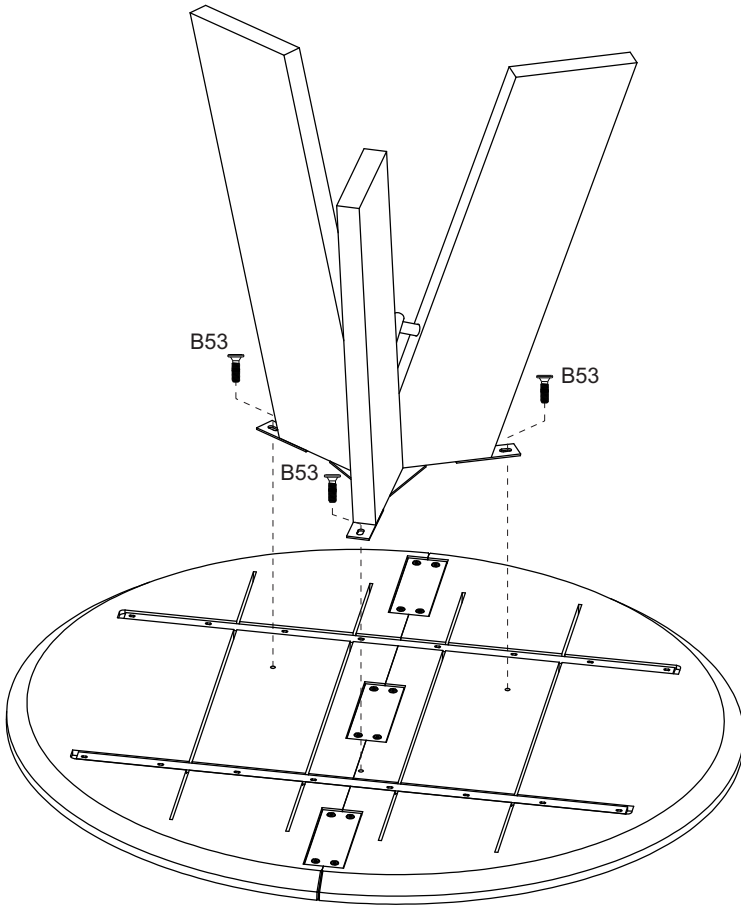


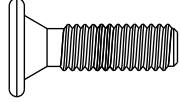

6) To ensure proper part 04 fit, first attach all bolts then tighten each individually.



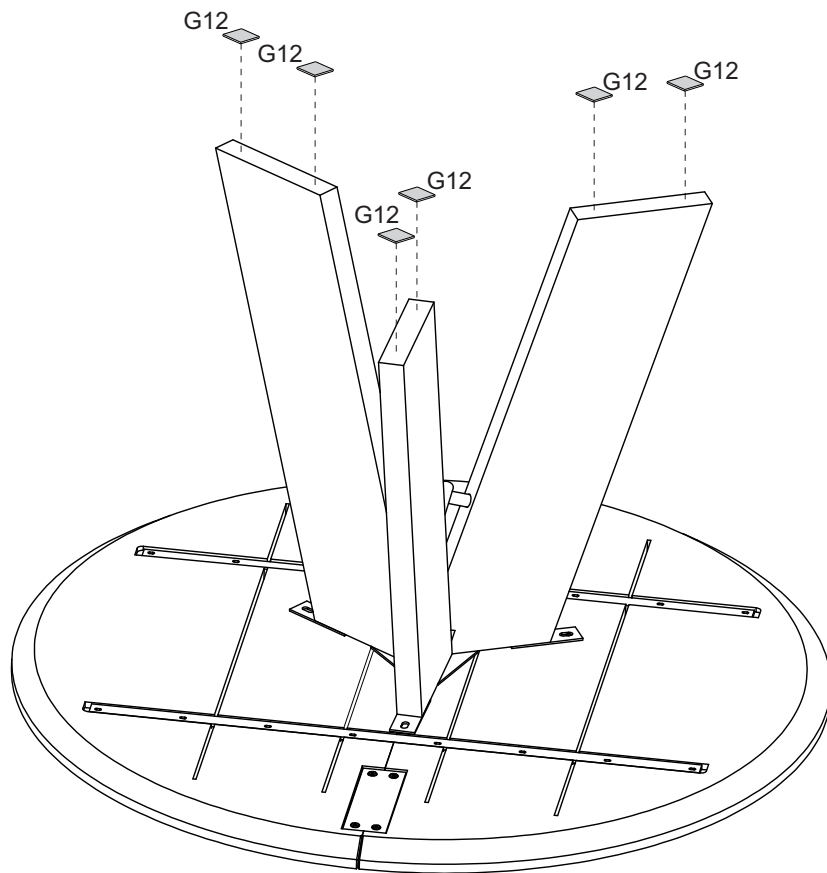
<b>B13</b>	 1/4x130 ø17	<b>3</b>
<b>G13</b>	 4mm	<b>1</b>

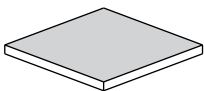
7)



<b>B53</b>	 1/4x30 Ø17	<b>3</b>
<b>G13</b>	 4mm	<b>1</b>

8)



<b>G12</b>	 30x30	<b>6</b>
------------	--	----------