

## NOTICE

- \* Please make sure that you have all parts indicated before you begin assembly of this item
- \* This item should be assembled on a soft surface to prevent scratching the finish during assembly
- \*This item may require periodic tightening

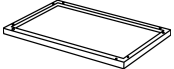

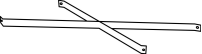




## PREPARATION

- \*Before beginning assembly of product, make sure all parts are present. Compare parts with package contents list and hardware contents list.
- \*If any part is missing or damaged, do not attempt to assemble the product.
- \*Estimated Assembly Time: 10 minutes.
- \*Tools Required for Assembly (included):Allen Key

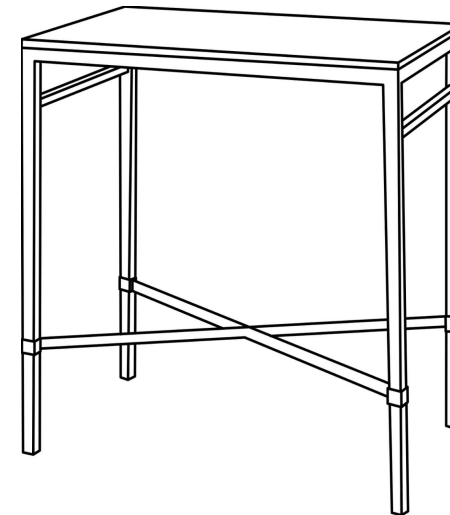
## CARE AND MAINTENANCE

Dust with a soft, dry cloth.Do not use abrasive cleaner. To clean mirror, spray a small amount of glass cleaner onto a lint-free cloth and wipe mirror clean.

### Part List and Hardware List

Piece	Description	Picture	Quantity
A	Top Frame		1 X
B	Leg		2 X
C	Shelf		1 X
D	Top Glass		1 X
HW1	Allen Bolt ( M6x1x10mm)		12 X
HW2	Glass Mat		4 X
HW3	Allen Key		1 X

Product Dimensions:  
22.1"Wx12.5"Dx24.5"H



**⚠ WARNING ⚠**

Weight Capacity-30LBS  
Warning:Do not stand on Table  
Warning:Do not over torque bolts.

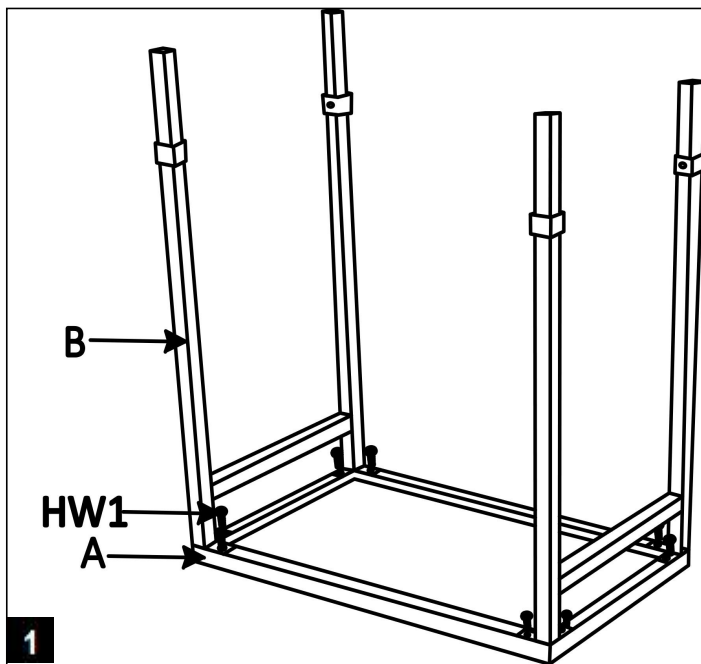
## Preparation

Before beginning assembly of product, make sure all parts are present. Compare parts with package contents list and hardware contents list.

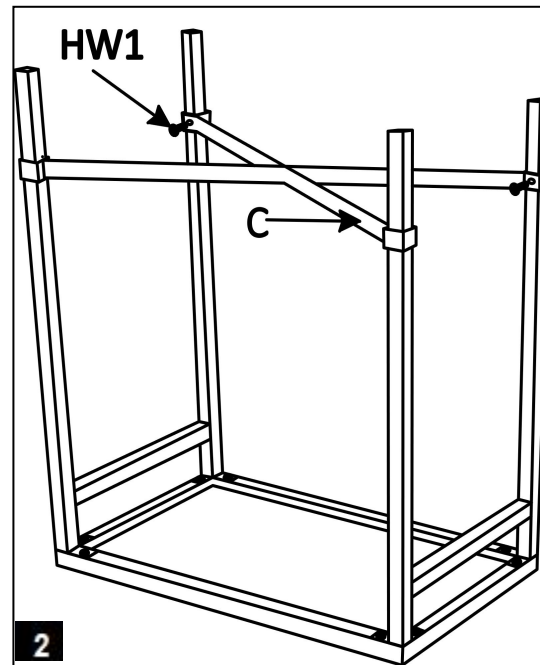
If any part is missing or damaged, do not attempt to assemble the product.

Estimated Assembly Time: 10 minutes.

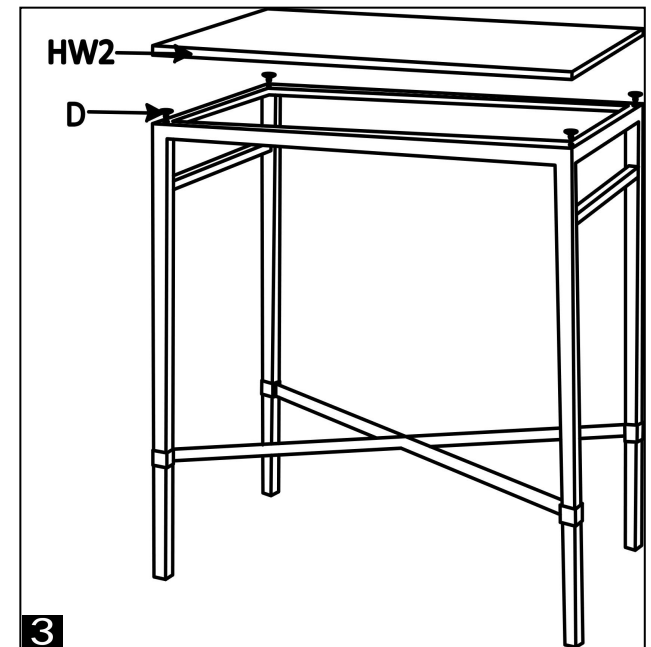
Tools Required for Assembly (included): Allen Key



Attach Leg (B) and Top (A) together using Allen bolts(HW1).Do not tighten



Attach Leg (B) and Shelf (C) together using Allen bolts(HW1).Tighten all Allen Bolt



Place the Glass ( D ) onto the Top ( A )