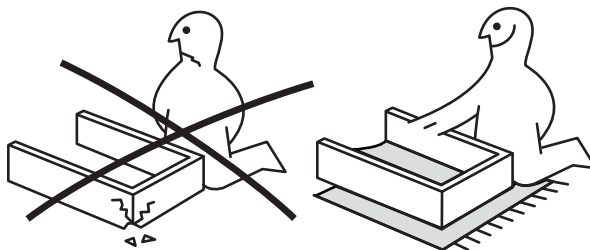
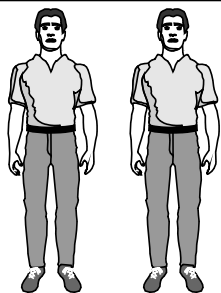
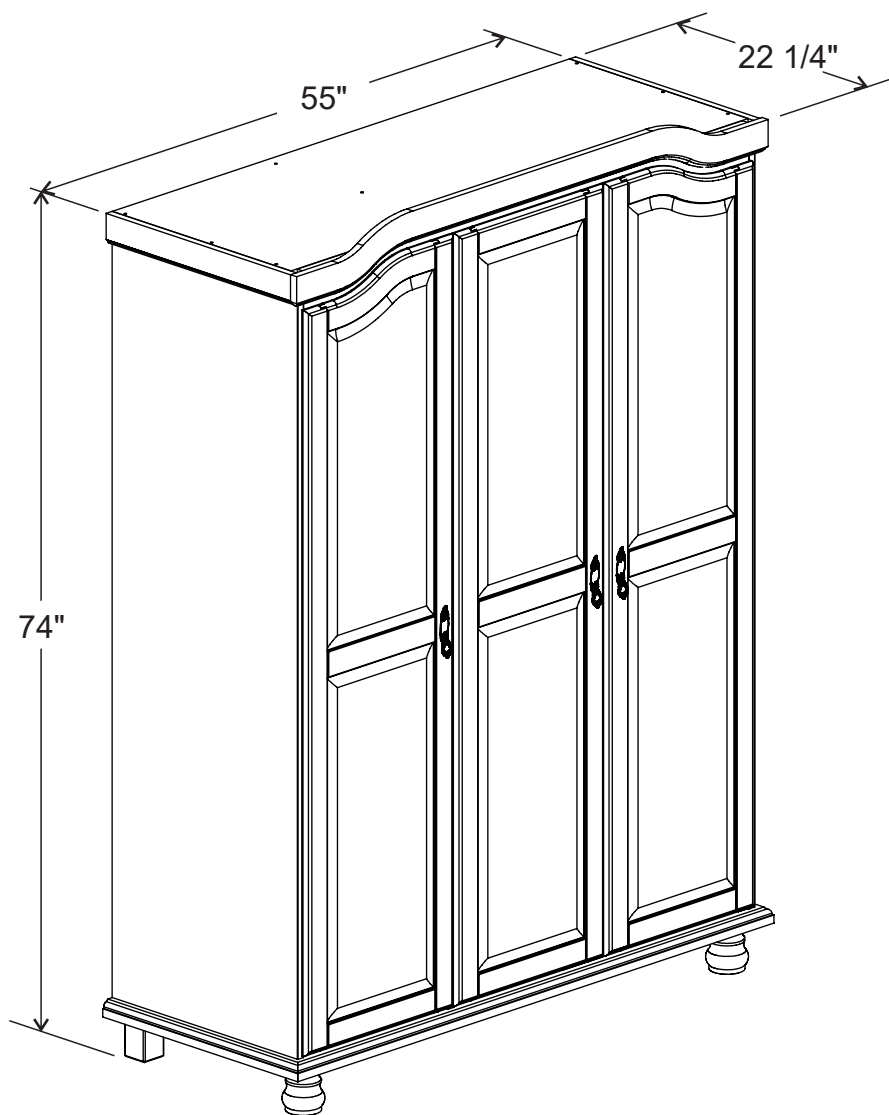
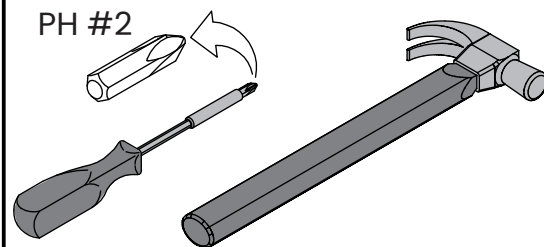


ASSEMBLY INSTRUCTIONS

3-DOOR WARDROBE



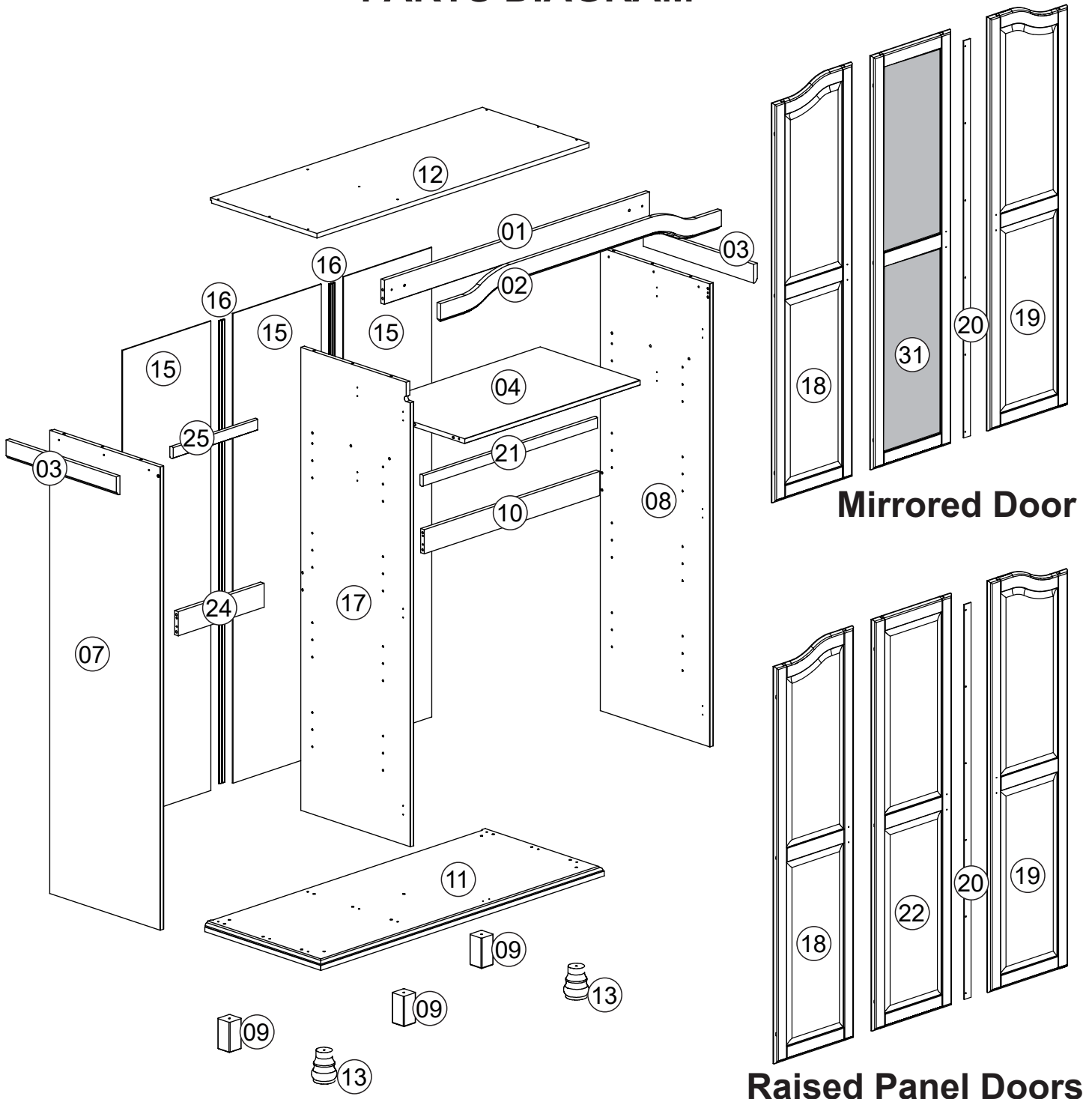
PH #2




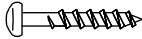


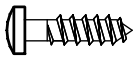
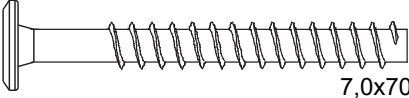

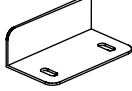
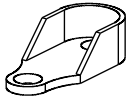

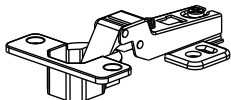
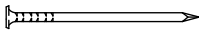
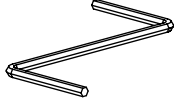

PRE-ASSEMBLY PREPARATION

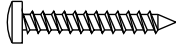
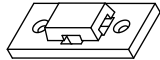

- Please check the contents before assembling. A complete parts and hardware list is provided below.
- If any parts are missing or damaged, please contact customer service immediately
- Assemble on a flat, smooth surface on top of a blanket
- Use only low-speed power drill setting
- Assemble as near to the point of use as possible
- The hardware pack contains SMALL ITEMS which should be KEPT AWAY FROM YOUNG CHILDREN

PARTS DIAGRAM



SCREWS ARE SHOWN IN ACTUAL SIZE

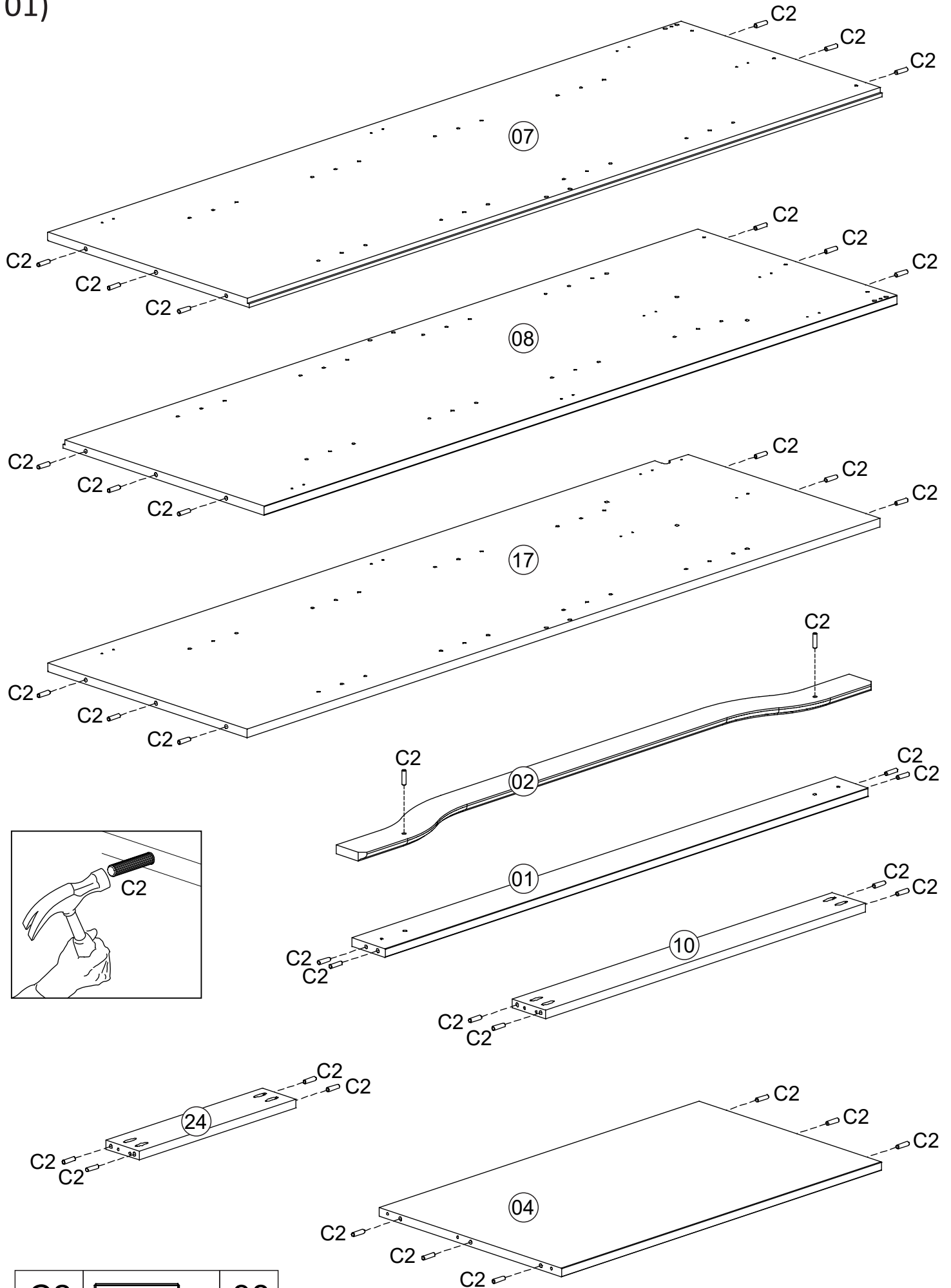
A1	 4,0x30	22+1
A7	 3,0x16	06+1
A16	 4,0x40	20+1
A42	 4,0x14	08+1
A44	 3,5x14	57+2
B19	 7,0x70	05
C2	 8,0x25	38+2
D3		01
D10		04
D16		02
F10		09
G1	 10x10	54
G8		01
H18		03

FURNITURE ANTI-TIP KIT		
A8	 3,0x20	02+1
F8		02
F9		01

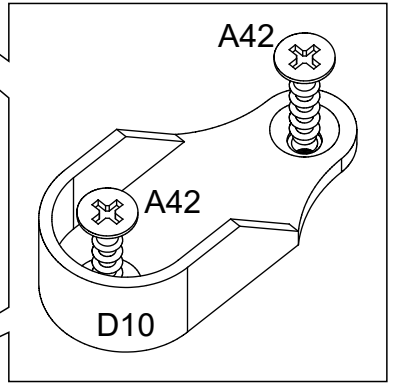
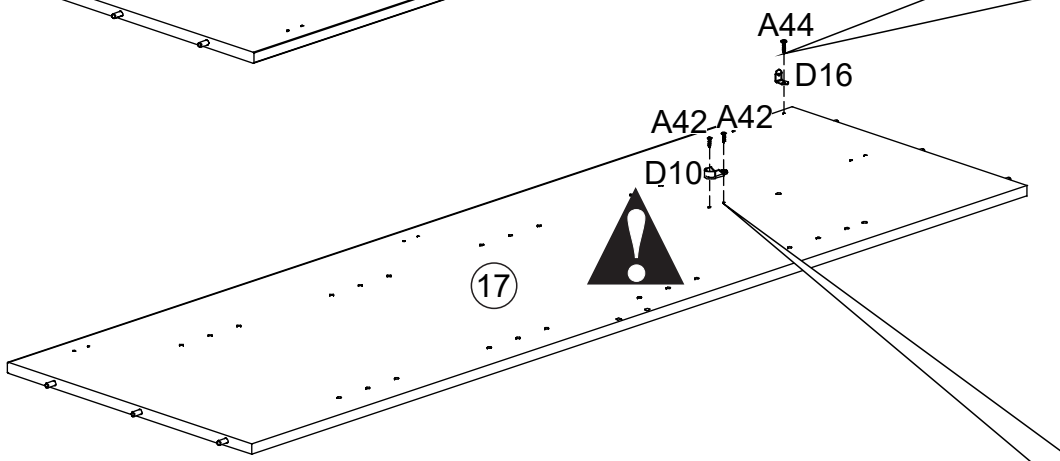
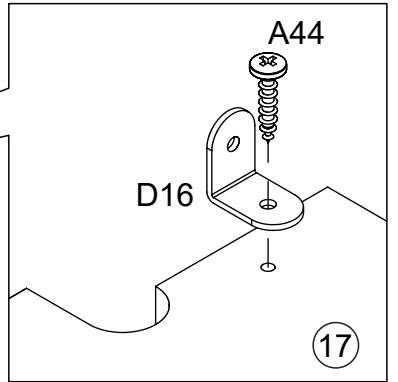
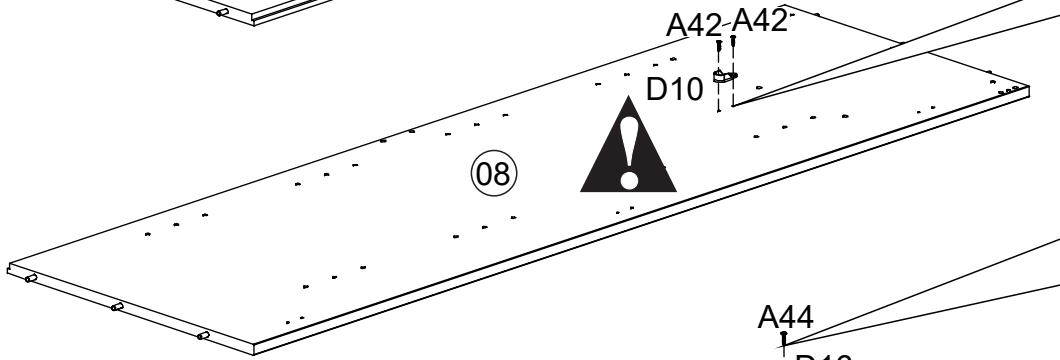
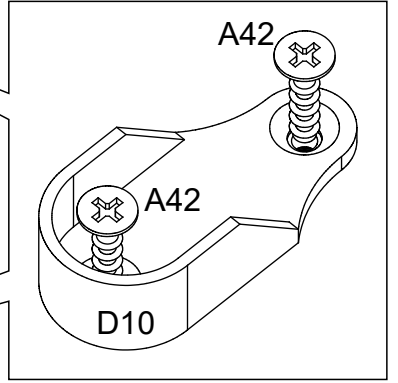
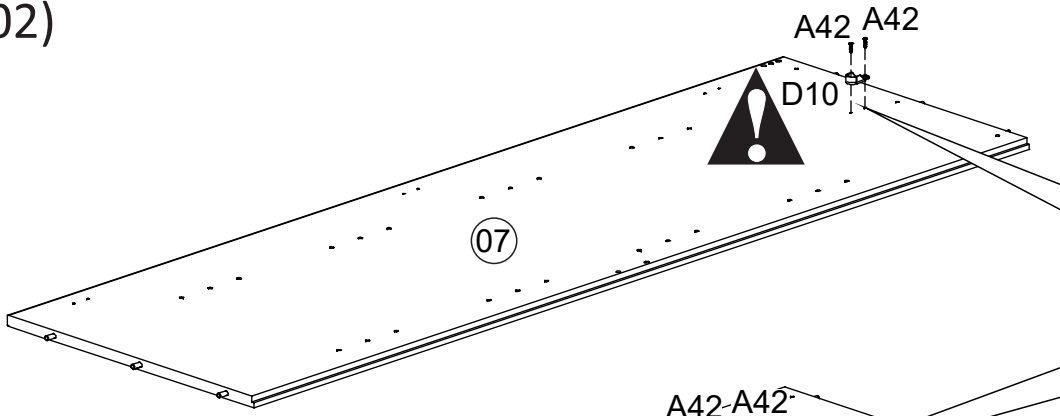
WARNING:
 **CHOKING HAZARD**
 Small Parts.
 Adult Supervision Required.
 Not for children under 3 years old.

WARNING:
 **WARNING:**
**FURNITURE TIPOVER CAN RESULT
 IN SERIOUS INJURY OR DEATH**
 This wardrobe includes tipover-
 prevention hardware that
MUST BE ATTACHED TO THE WALL
 per the assembly instructions.

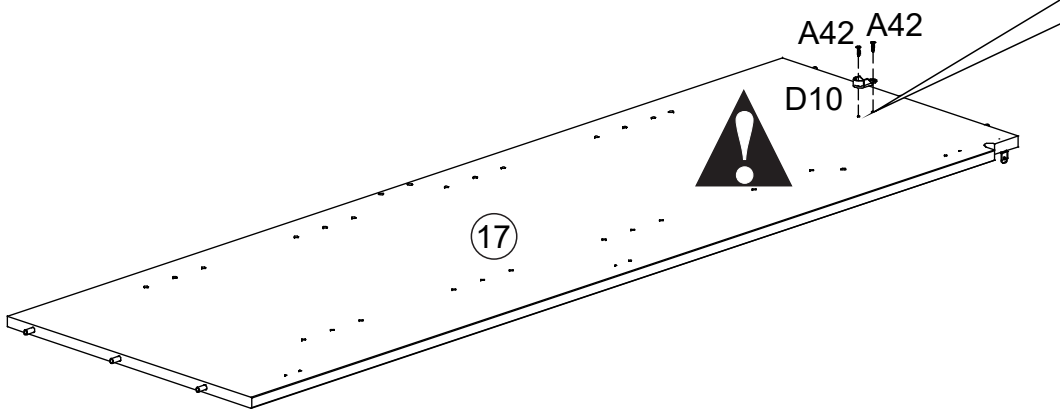
01)


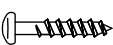




02)



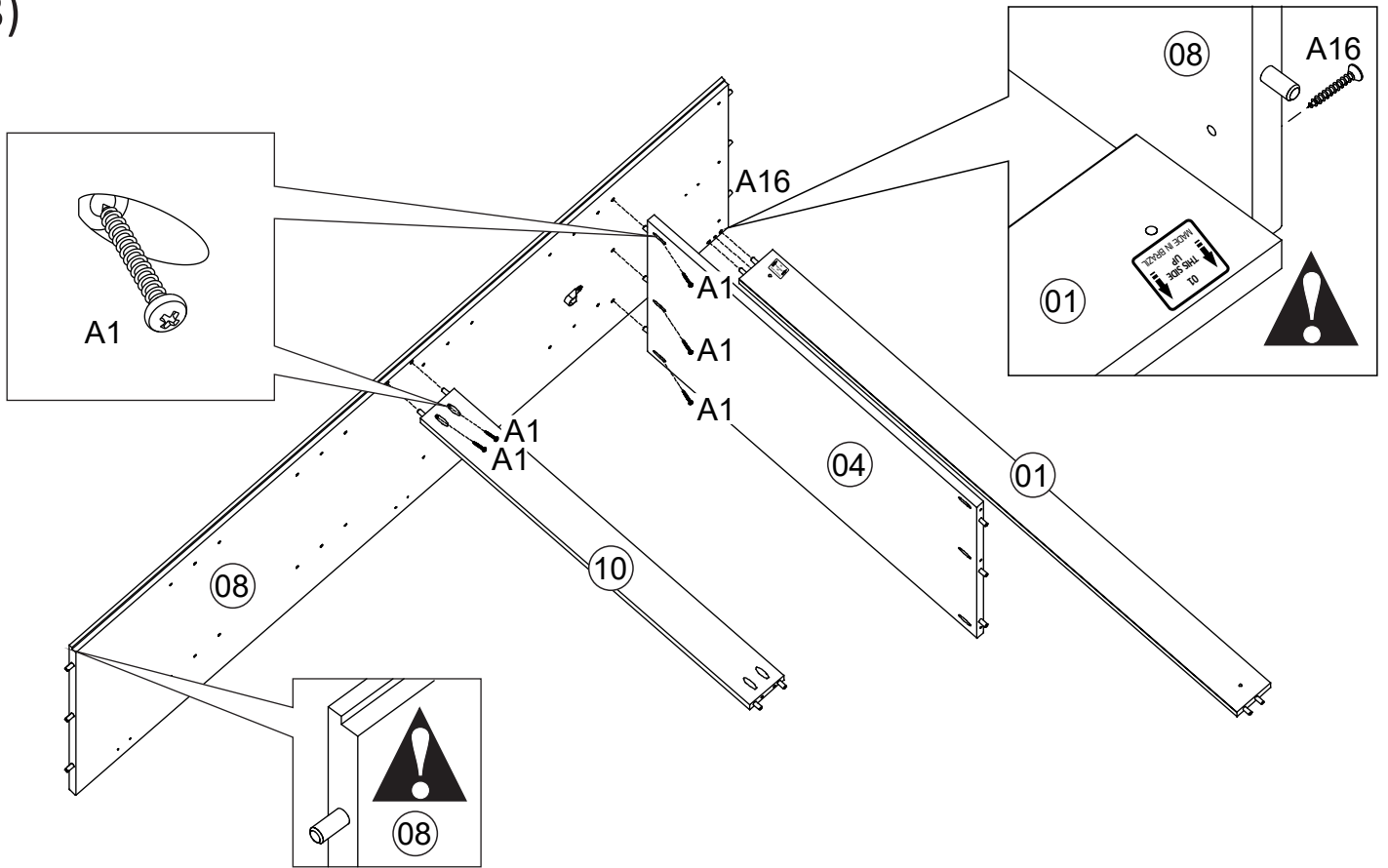
Turn Part# 17
UPSIDE DOWN

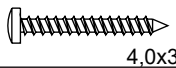



A42		08
	4.0x14	
A44		01
	3.5x14	

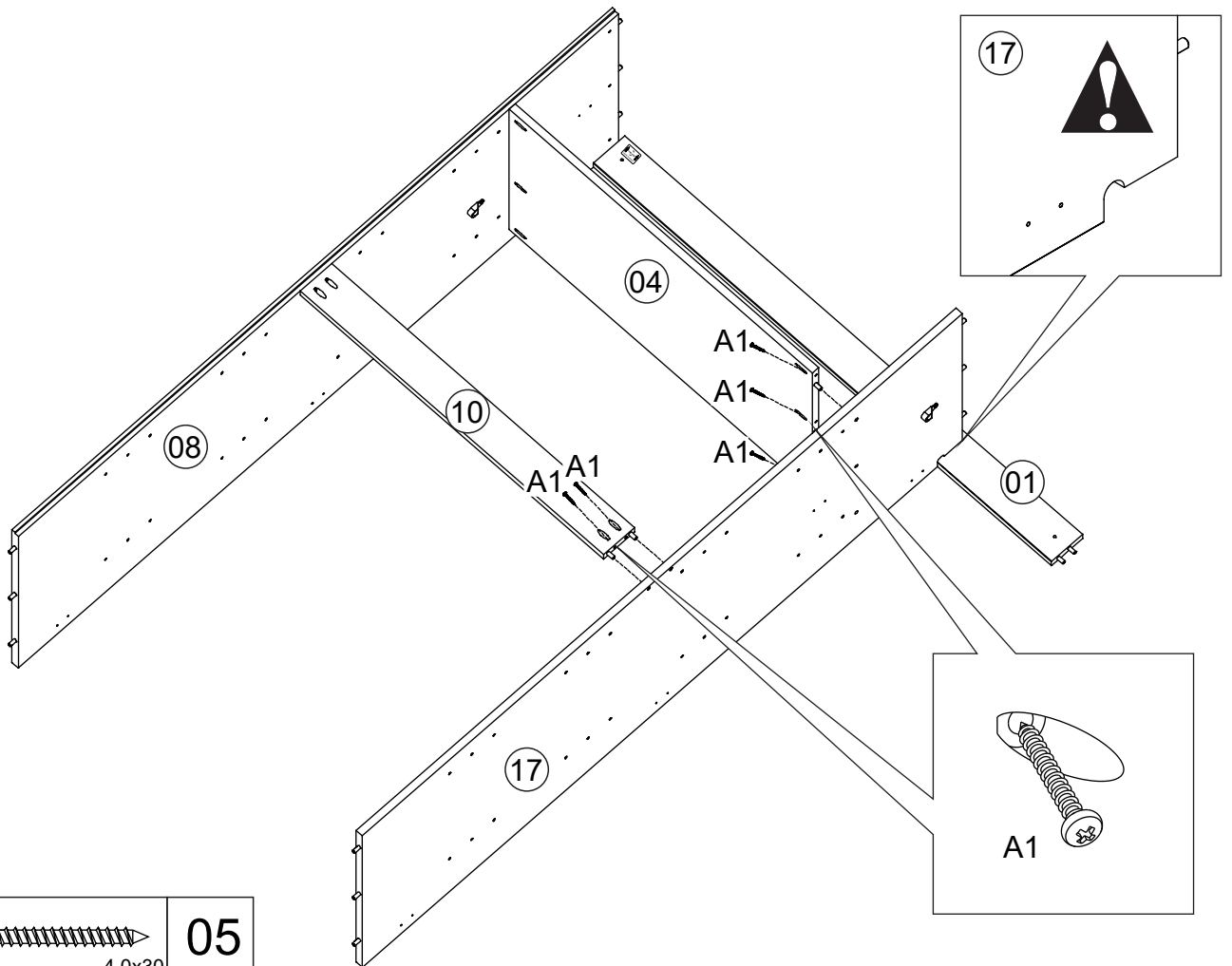
D10		04	D16		01
-----	---	----	-----	---	----


03)



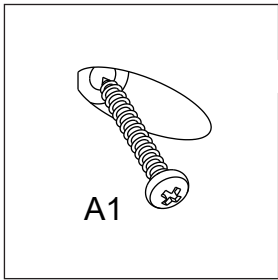
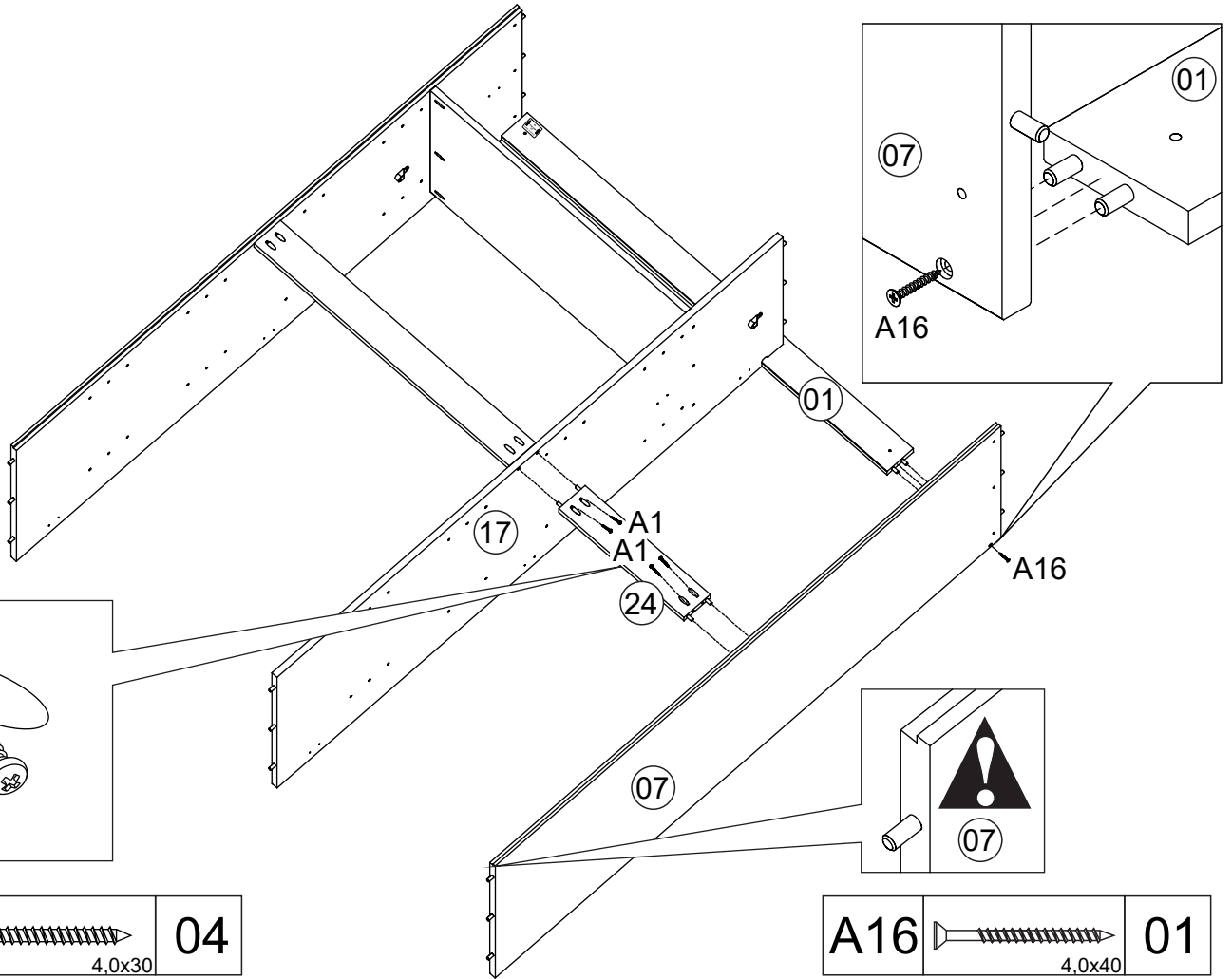
A1		05	A16		01
	4.0x30			4.0x40	

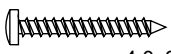
04)




A1		05
	4.0x30	

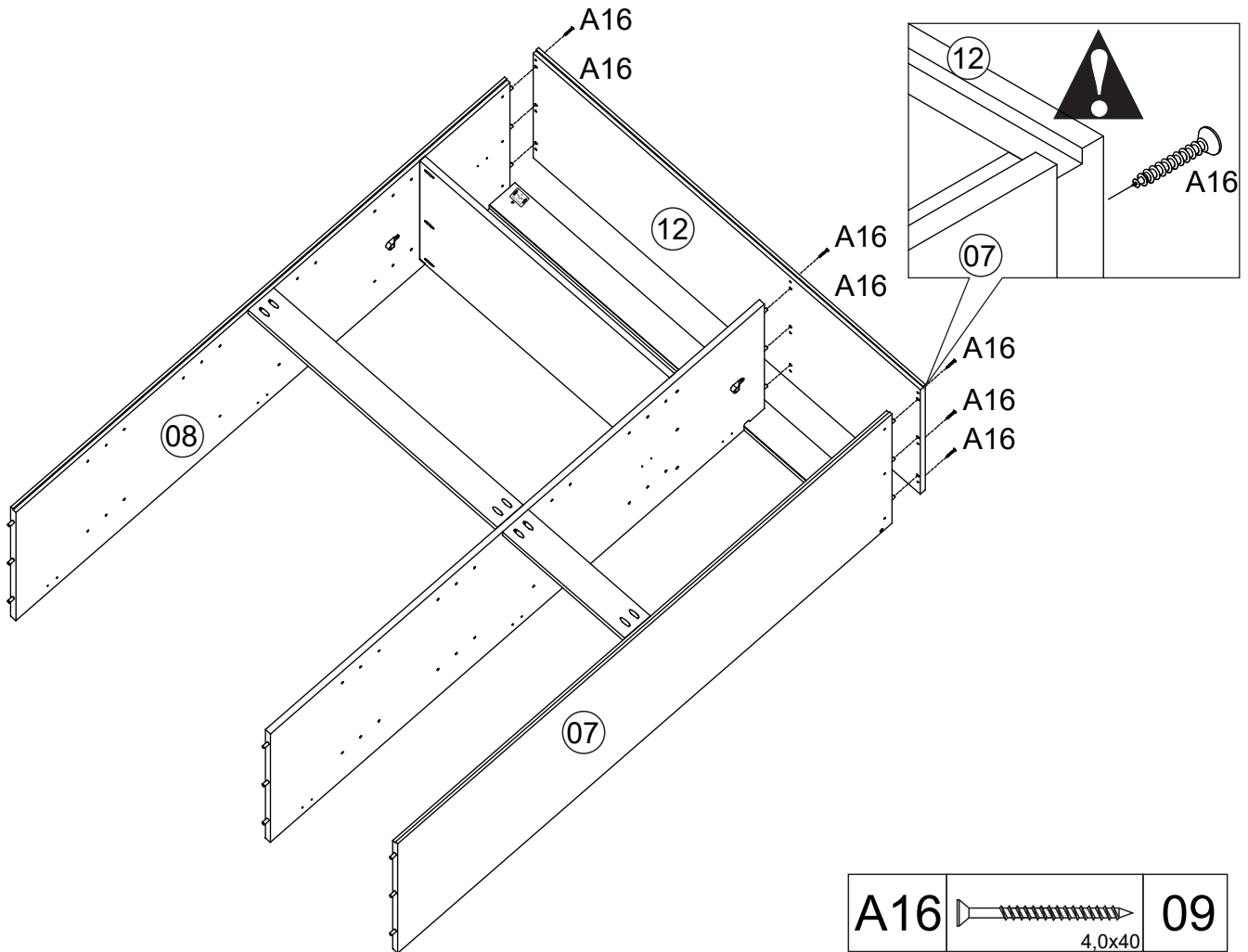
05)




A1		04
	4,0x30	

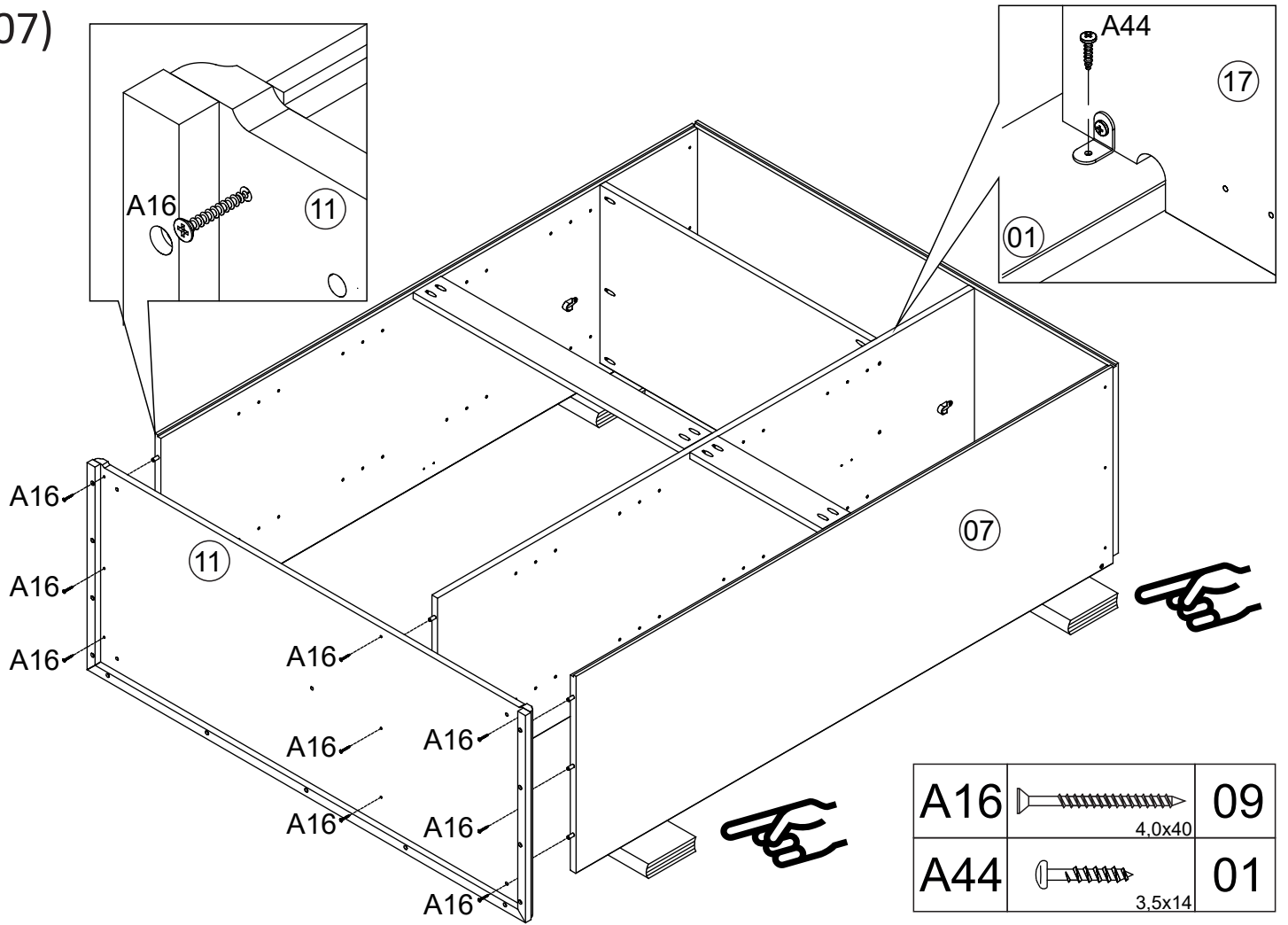
A16		01
	4,0x40	

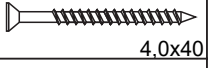
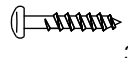
06)



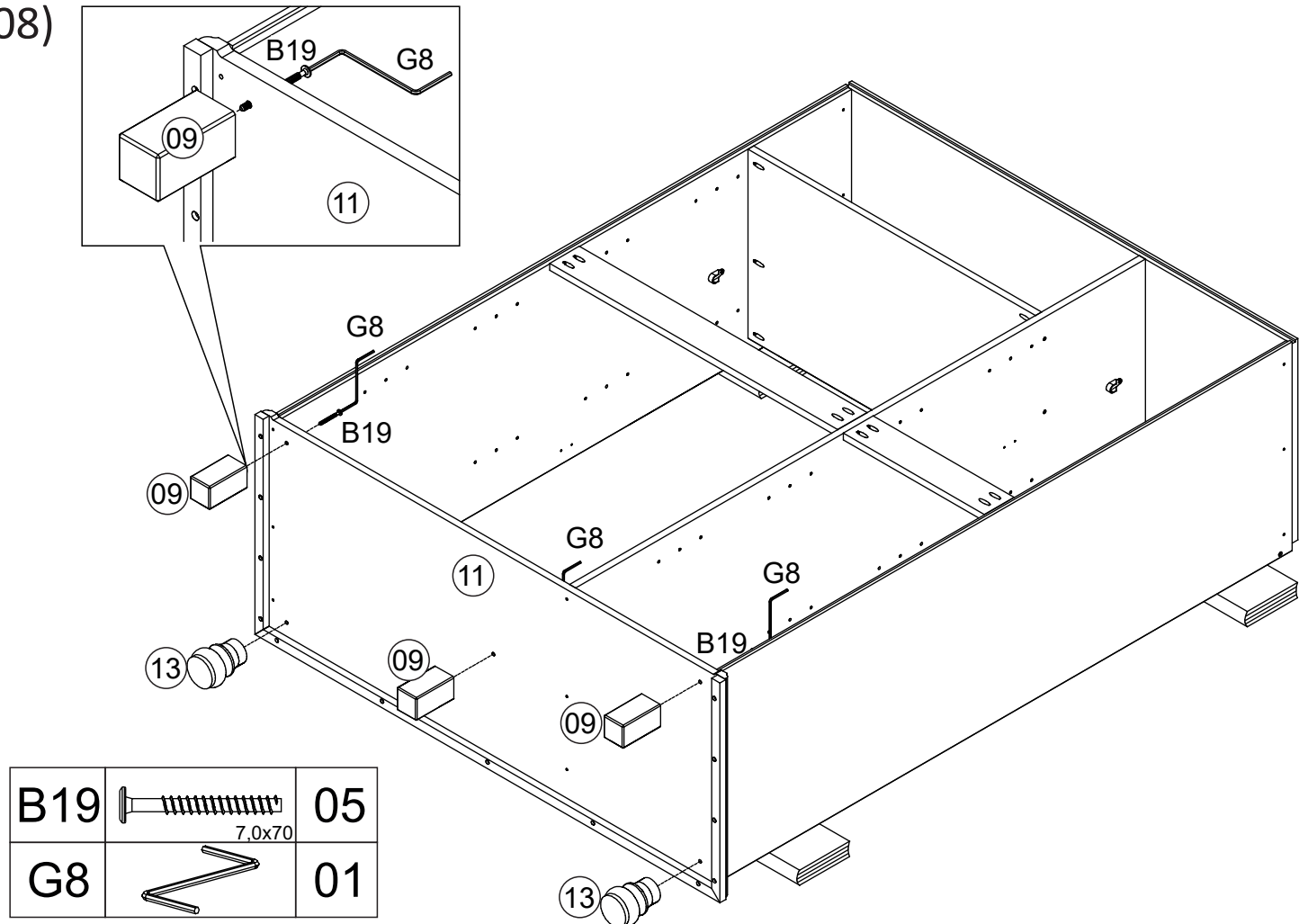
A16		09
	4,0x40	

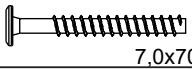
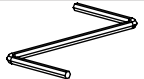
07)



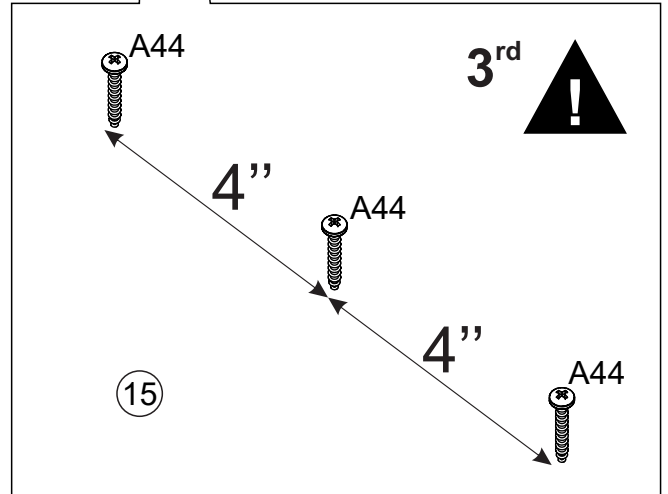
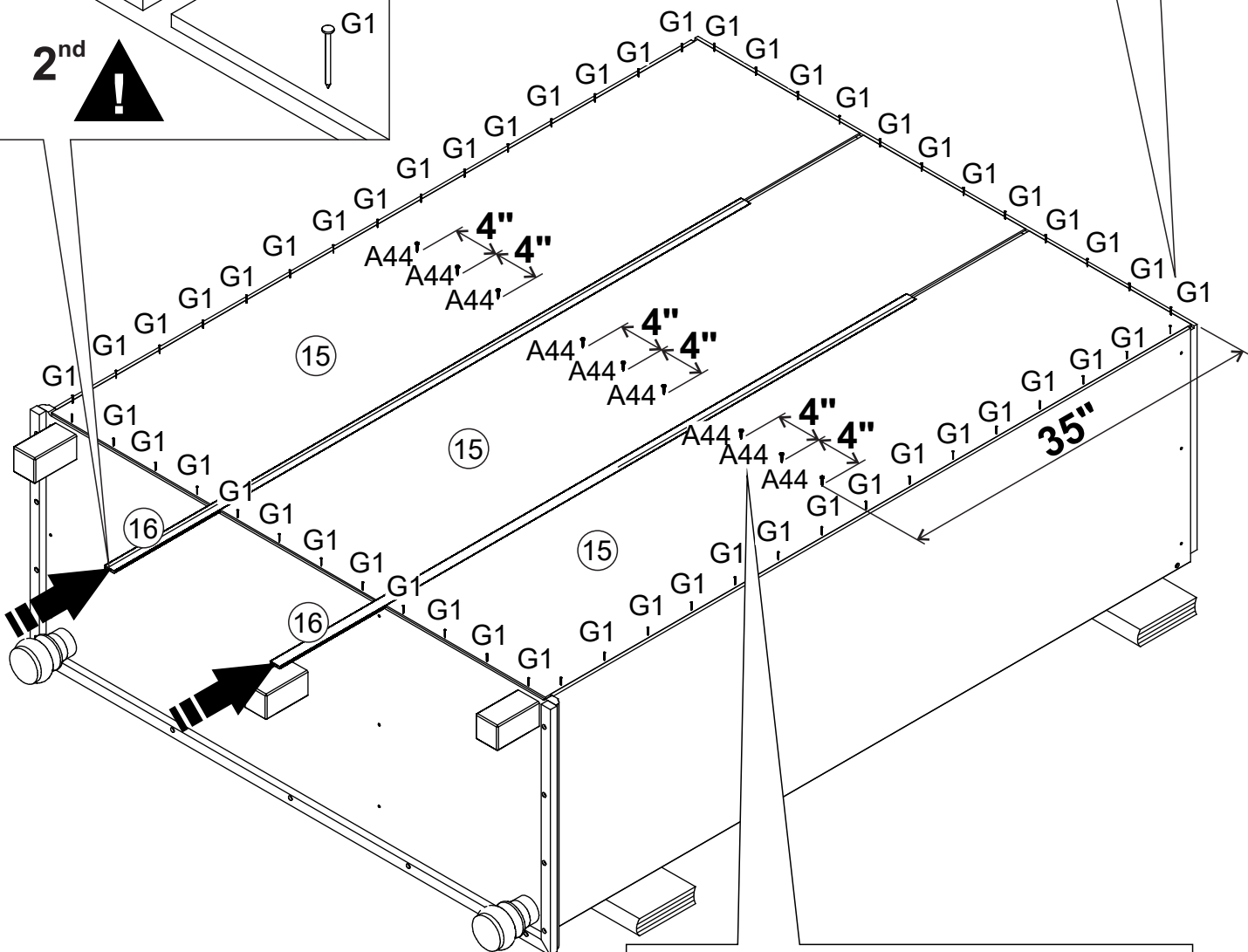
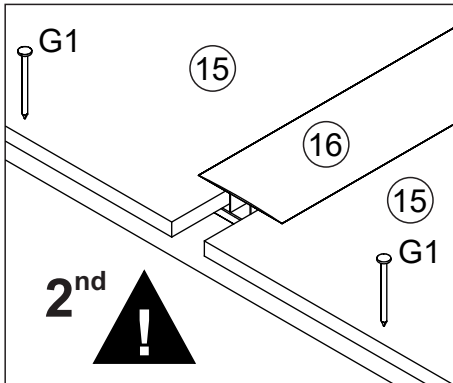
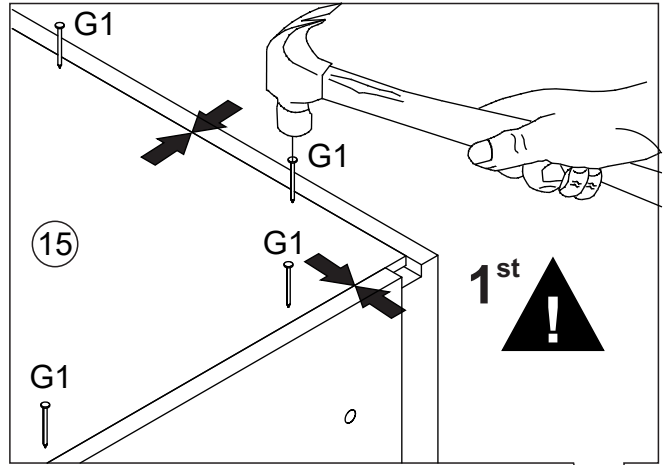
A16		09
	4,0x40	
A44		01
	3,5x14	

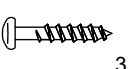
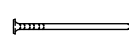
08)



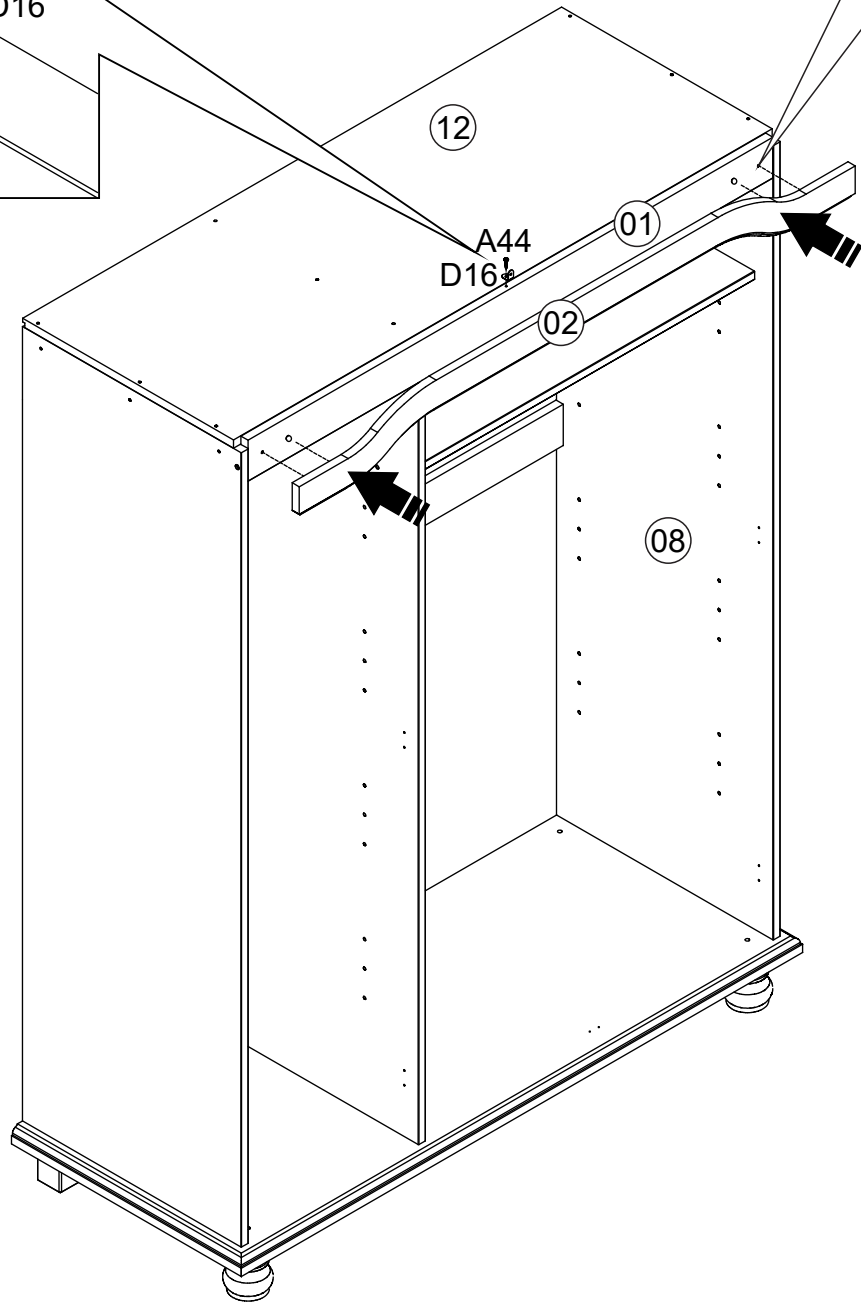
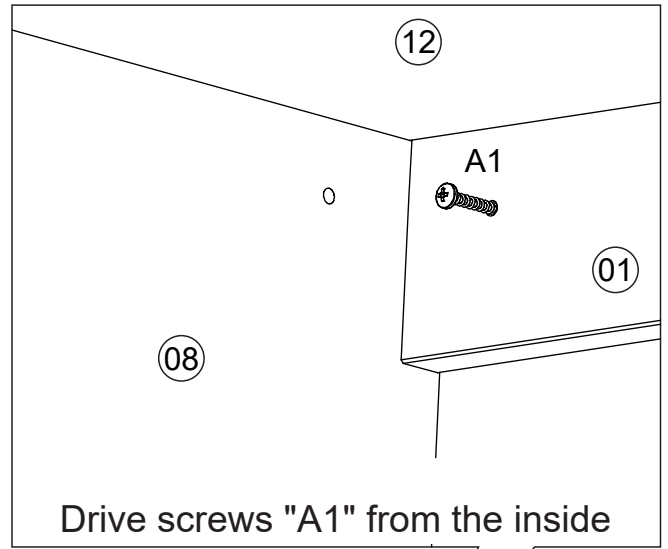
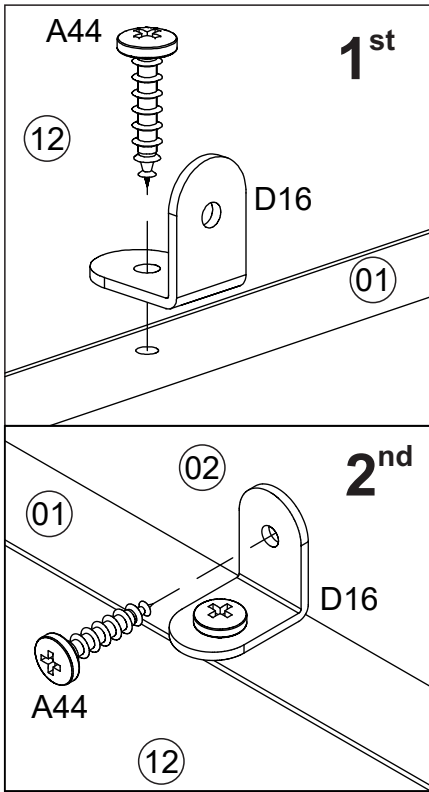
B19		05
	7,0x70	
G8		01


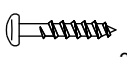

09)



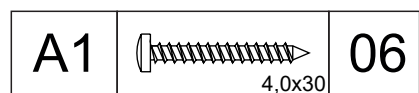
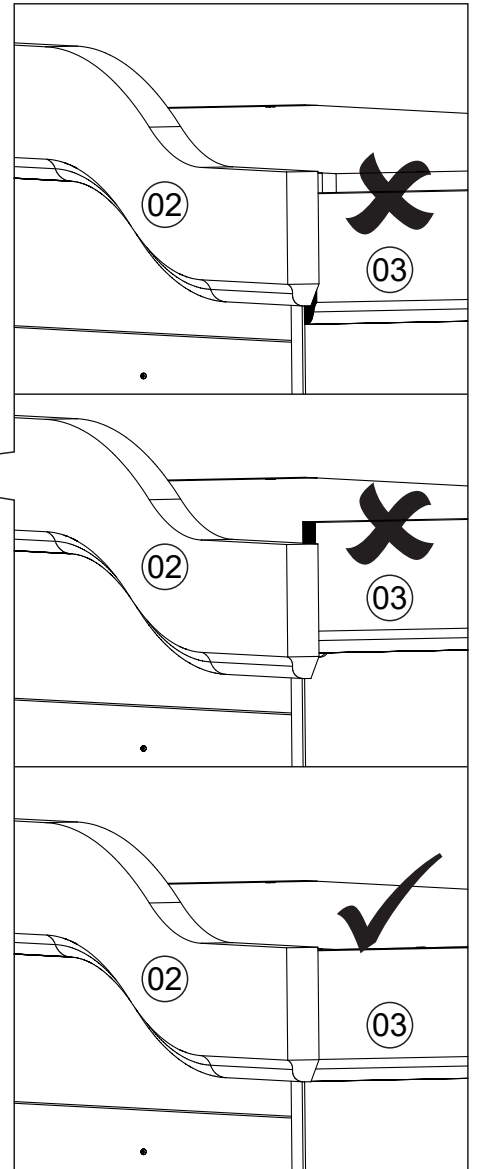
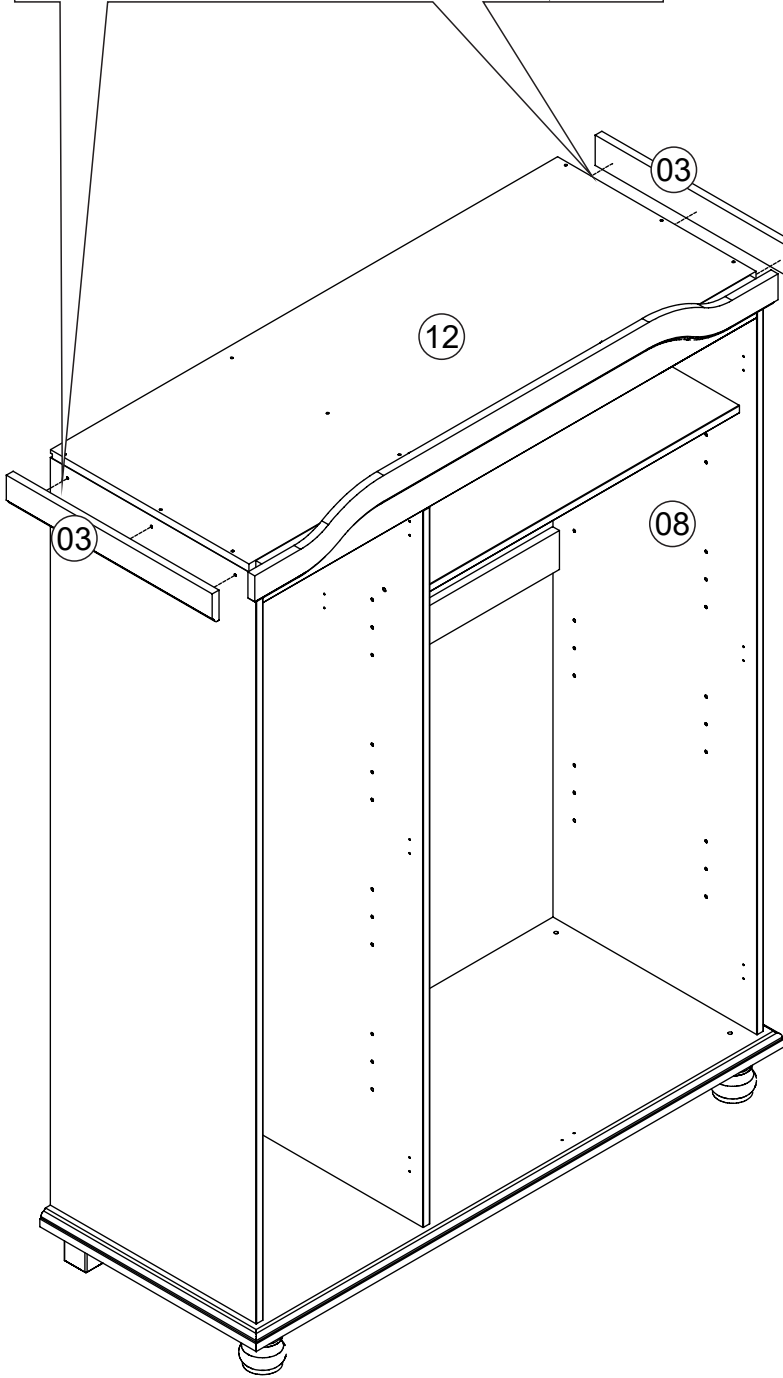
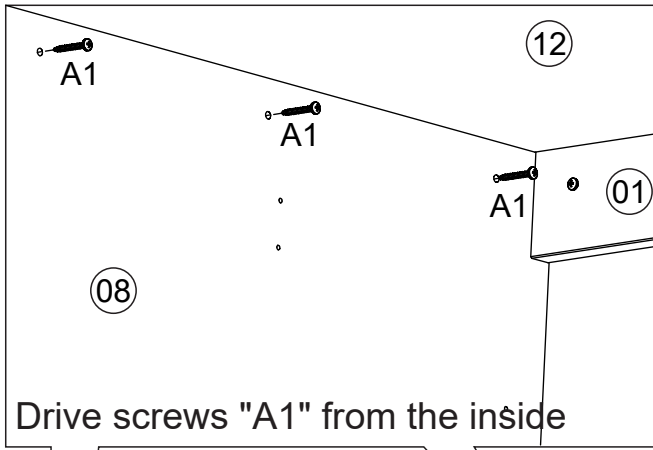
A44	 3.5x14	09
G1	 10x10	54

10)

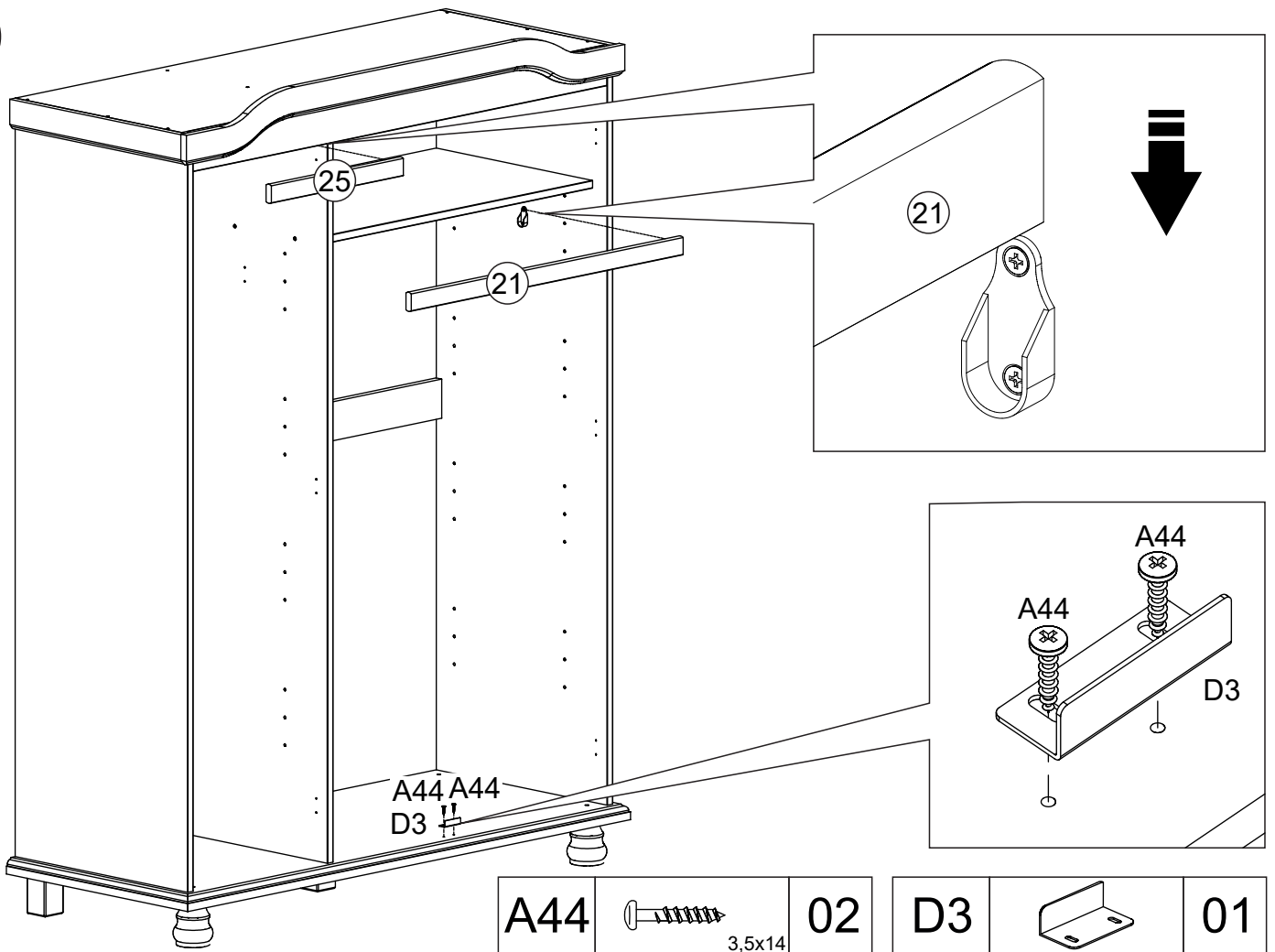


A1		02	A44		02	D16		01
	4,0x30			3,5x14				

11)

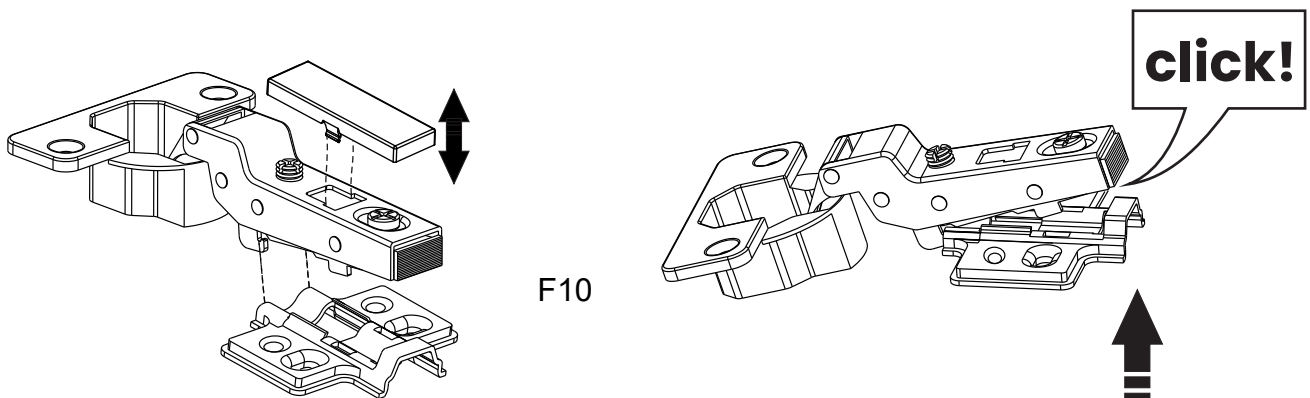


12)

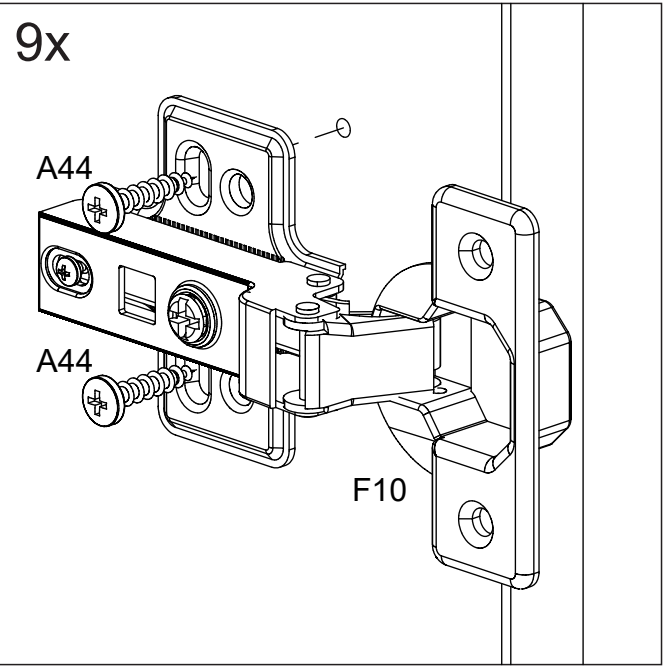
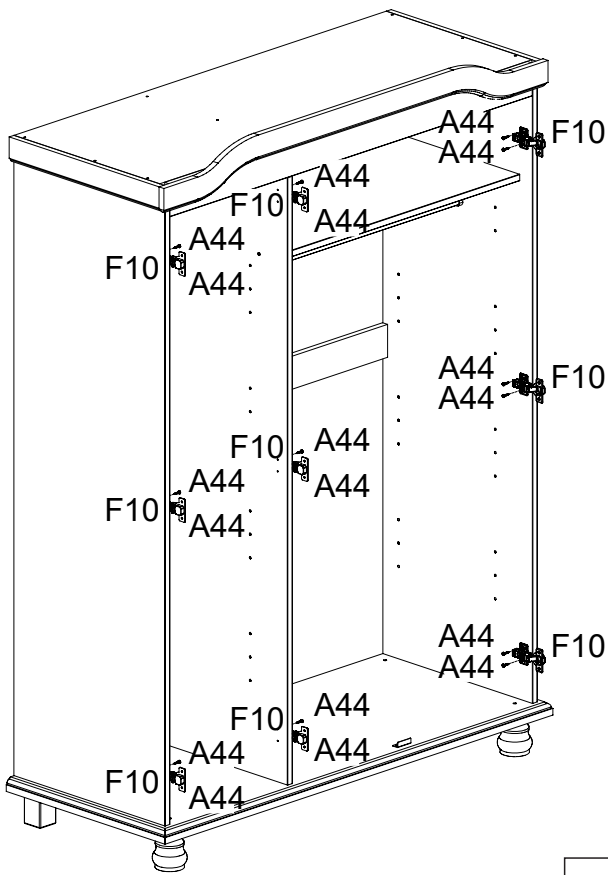


13)

Attach hinge (F10) to hinge plate if it came separated.
 Push hinge against plate until it clicks.

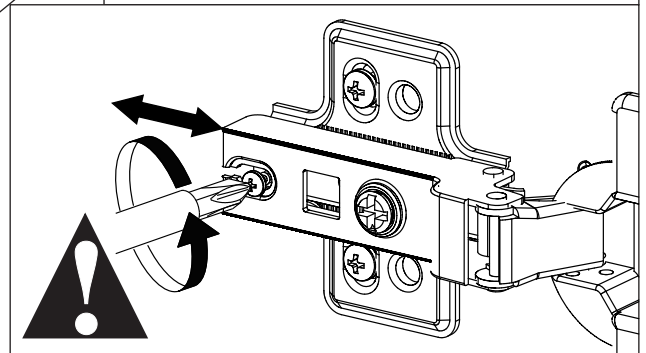
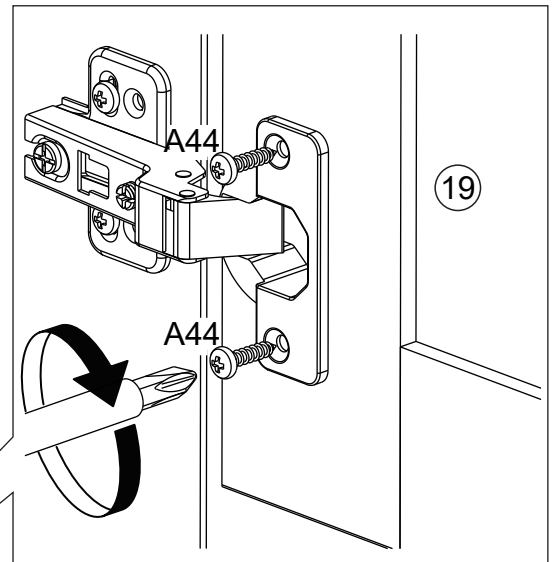
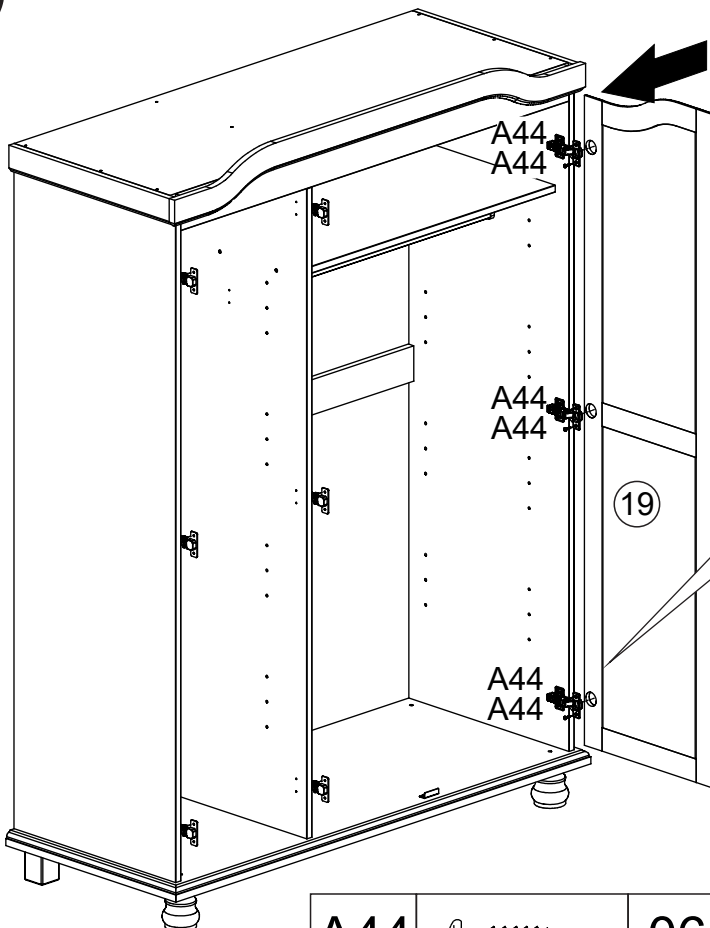


14)

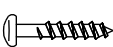


A44	 <small>3,5x14</small>	18	F10		09
-----	--	----	-----	---	----

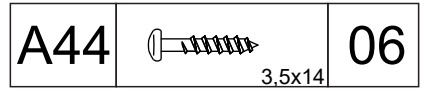
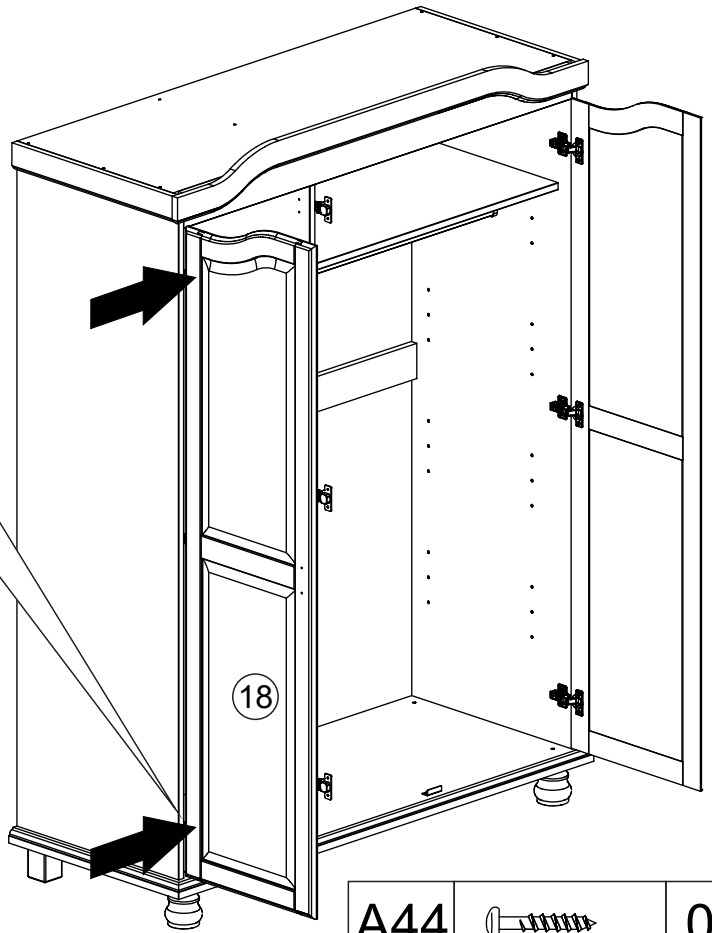
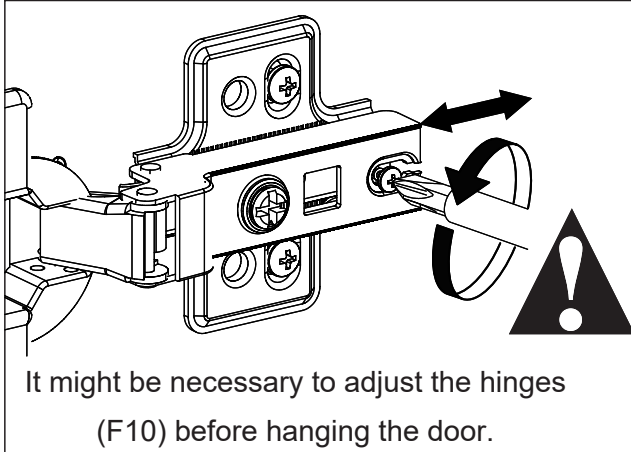
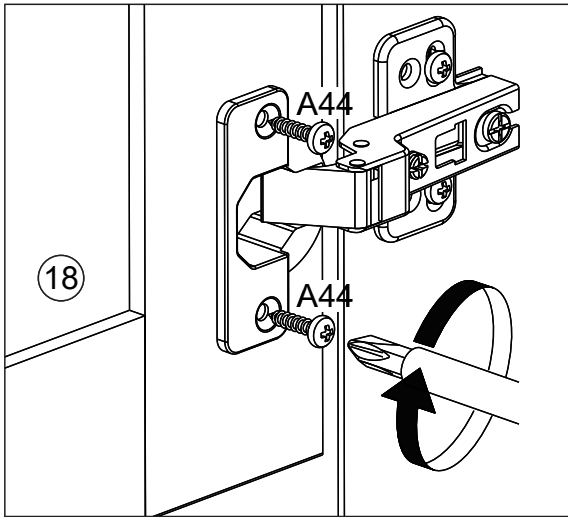
15)



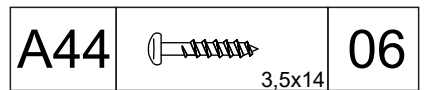
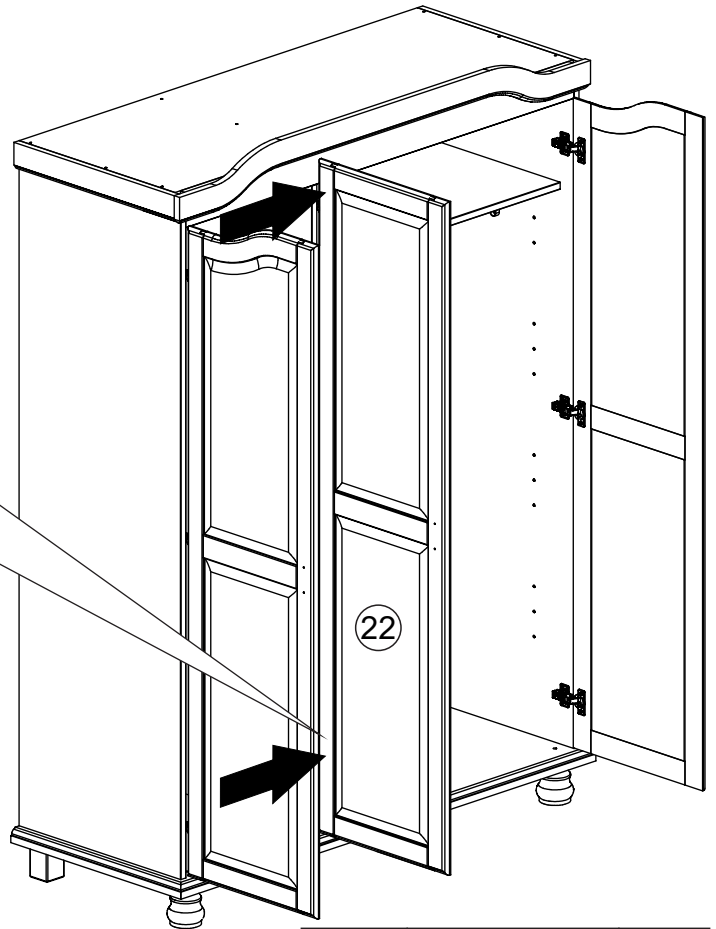
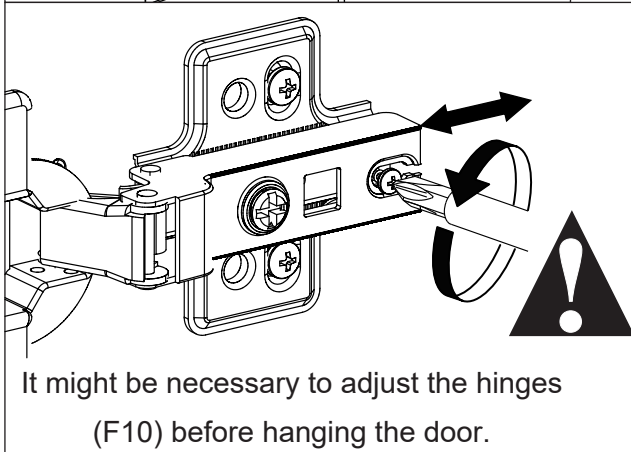
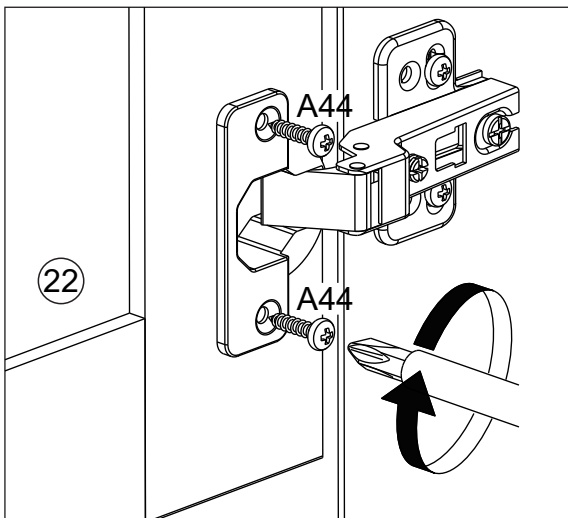
It might be necessary to adjust the hinges (F10) before hanging the door.

A44	 <small>3,5x14</small>	06
-----	--	----

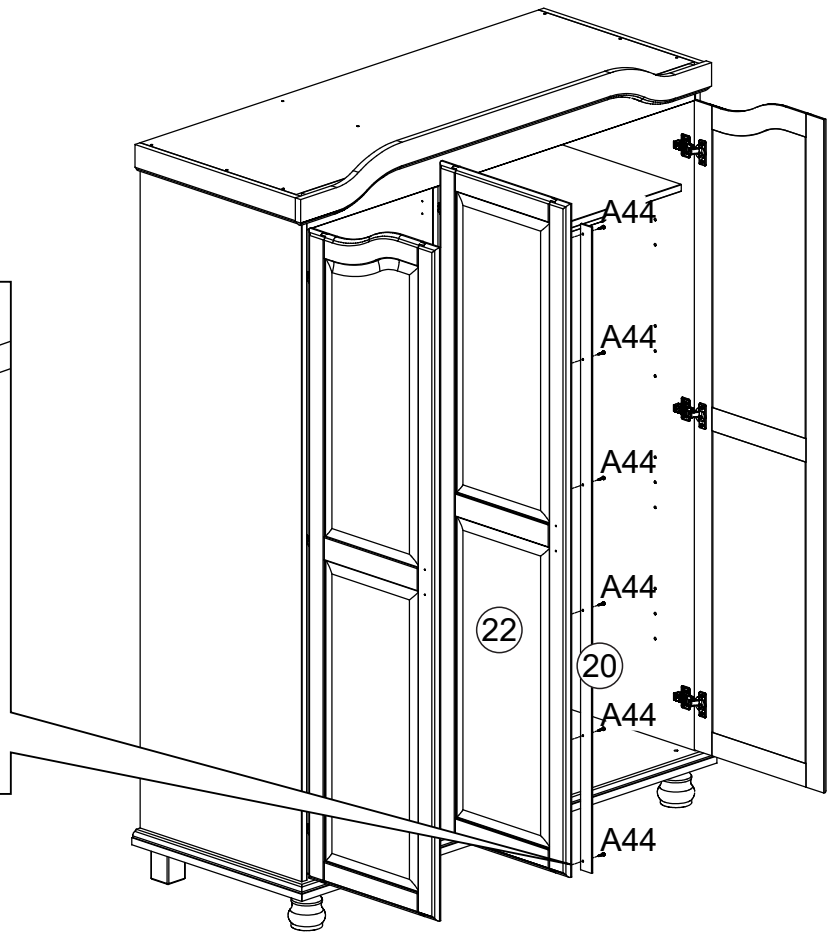
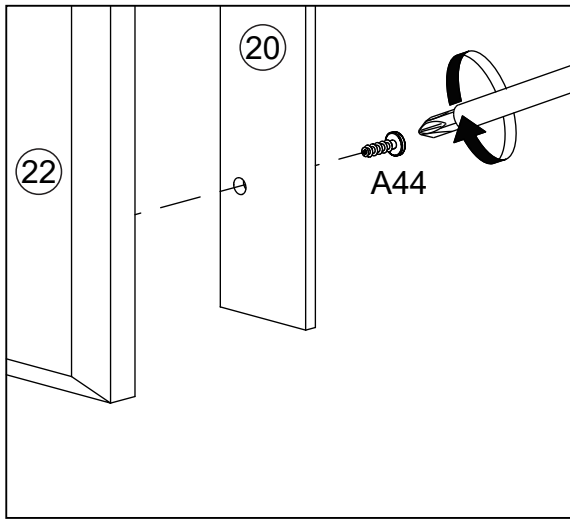
16)



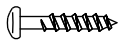
17) Raised panel doors



18) Raised panel doors



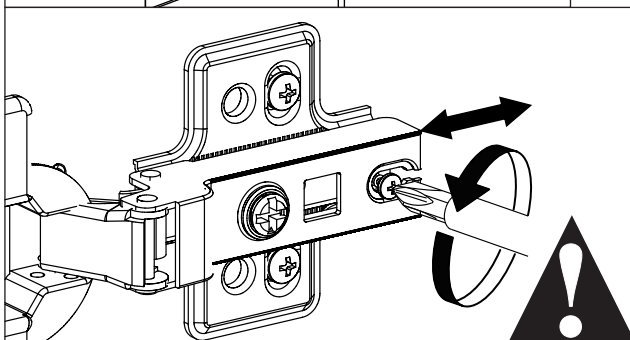
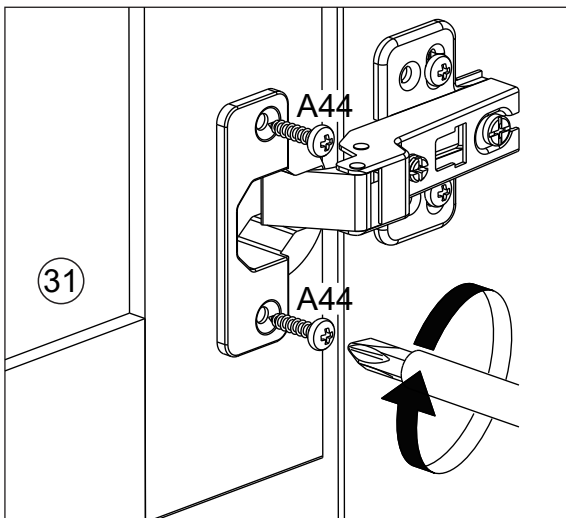
A44



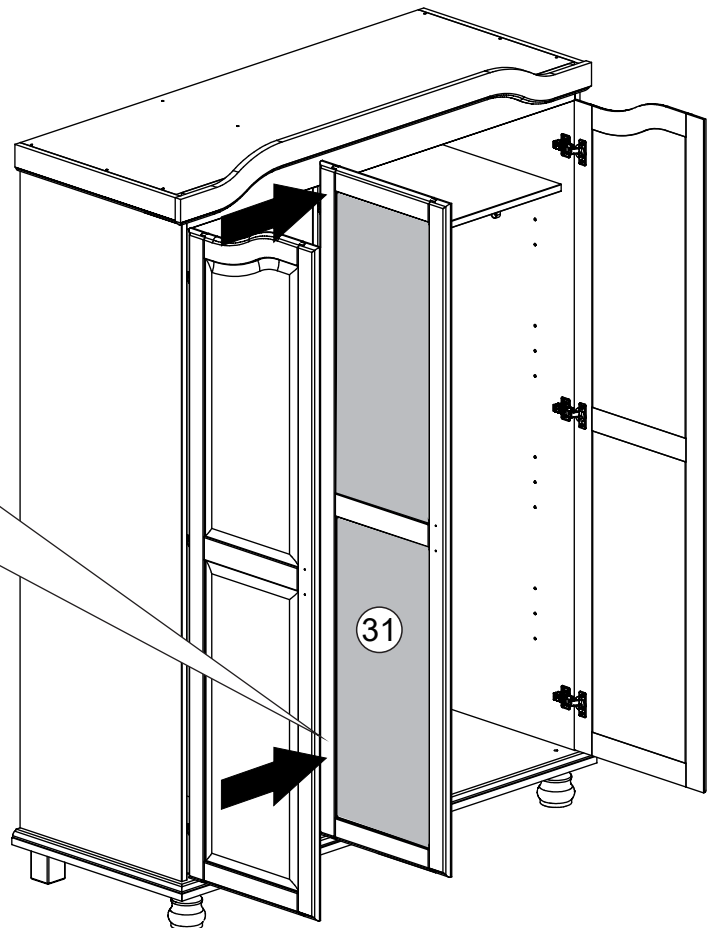
3.5x14

06

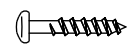
17) Mirrored door



It might be necessary to adjust the hinges
(F10) before hanging the door.



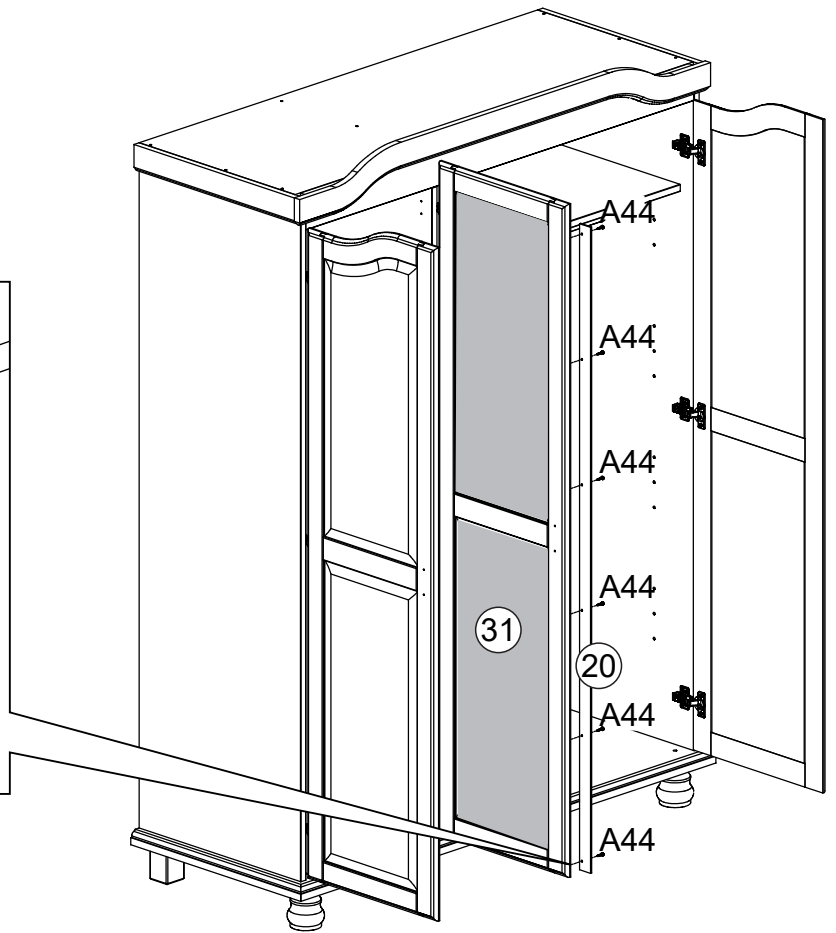
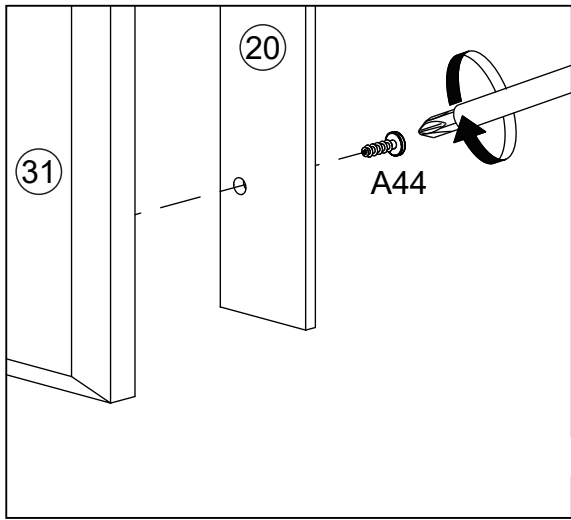
A44

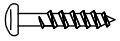


3,5x14

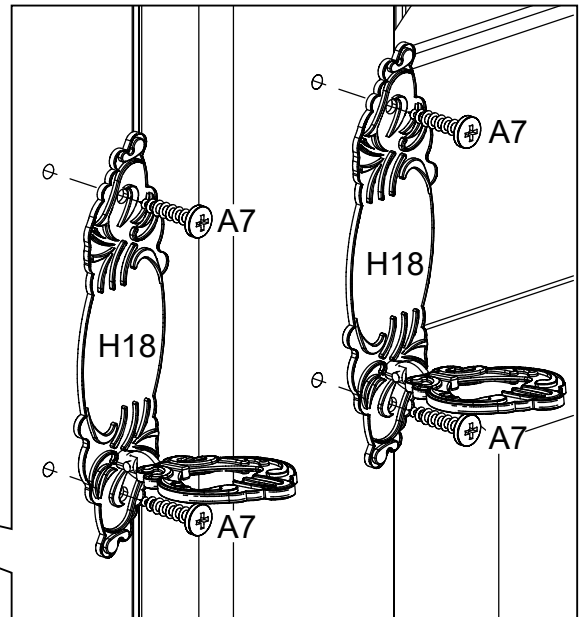
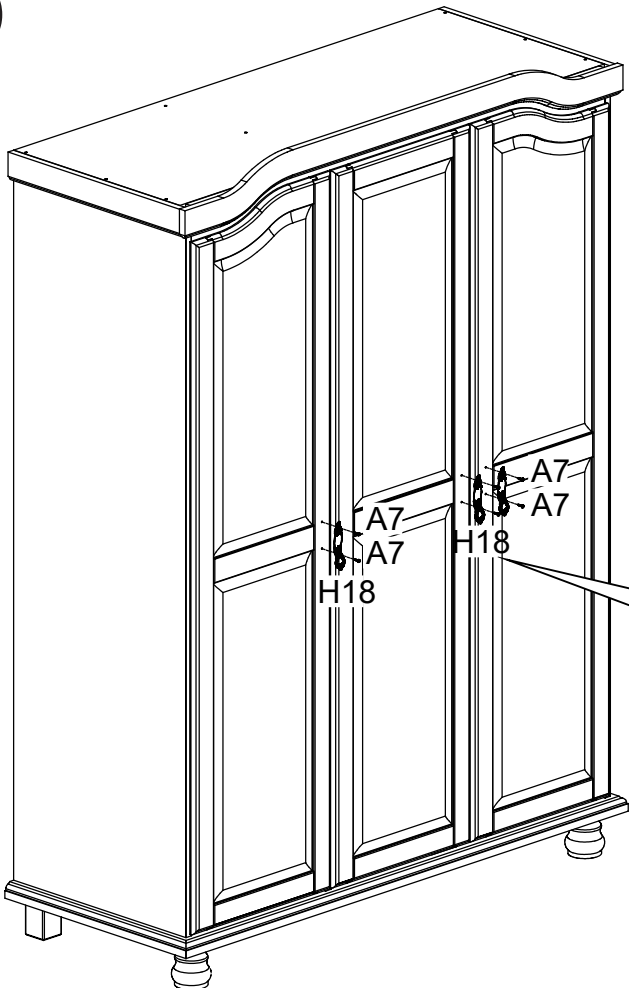
06

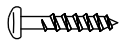

18) Mirrored door



A44		06
	3.5x14	

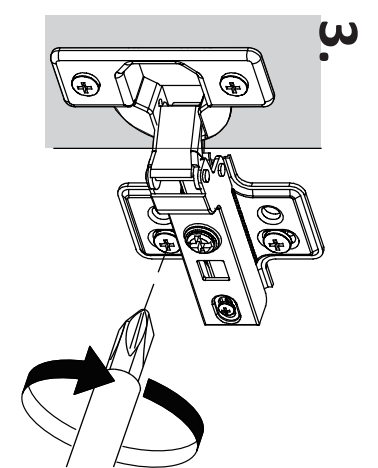
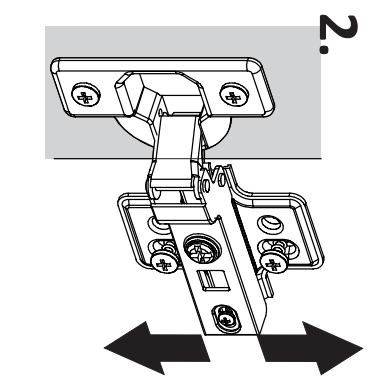
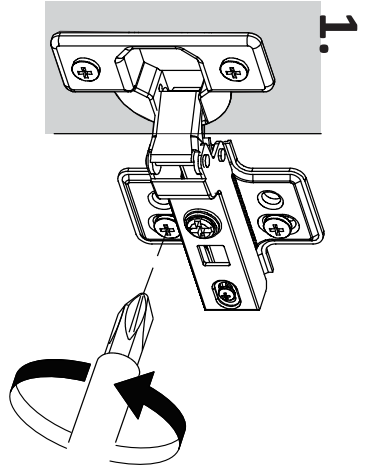
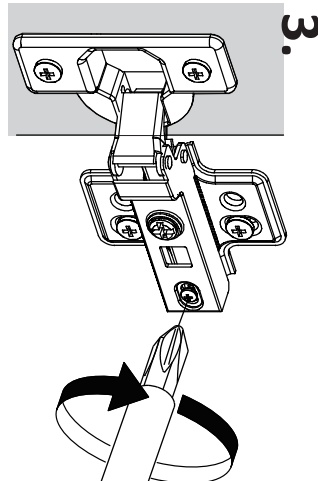
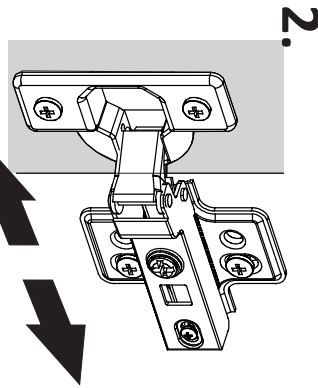
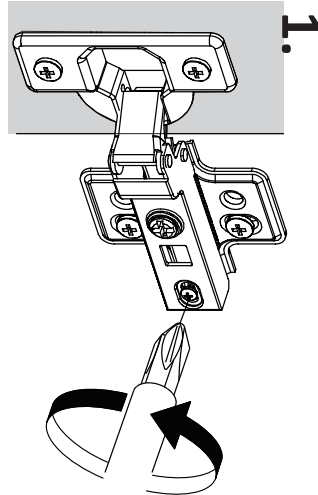
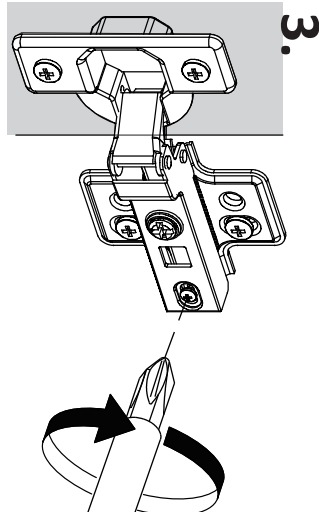
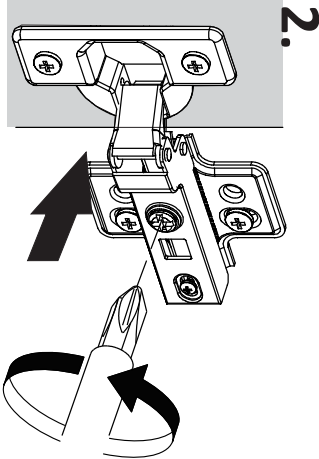
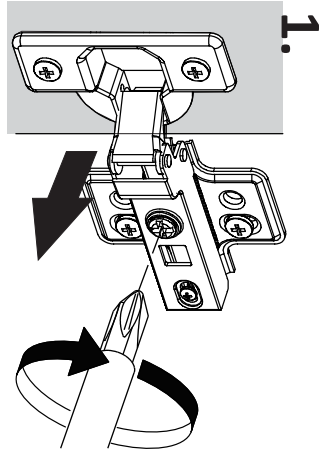
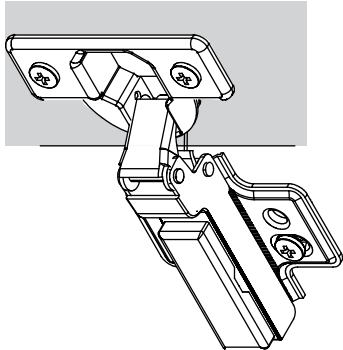
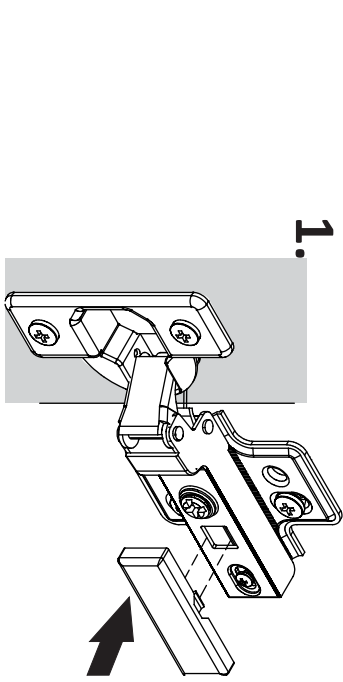
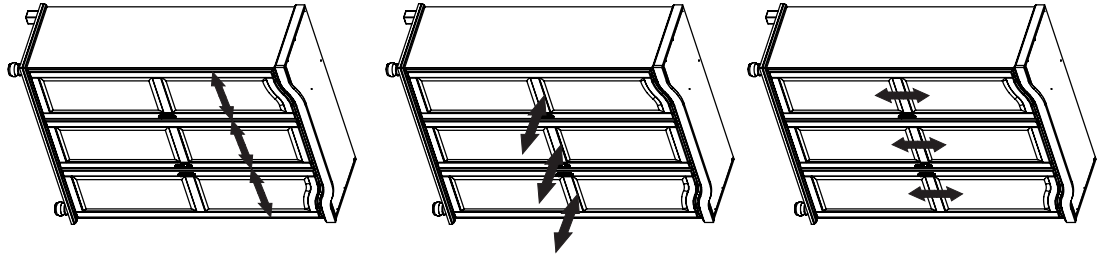
19)



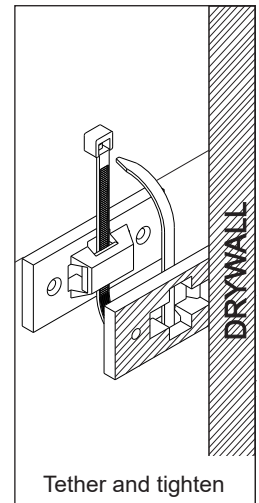
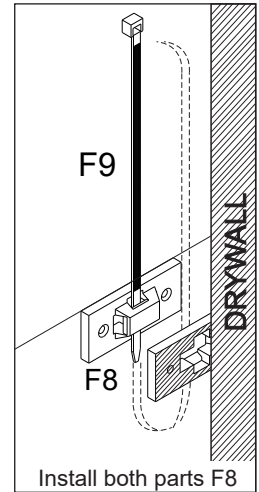
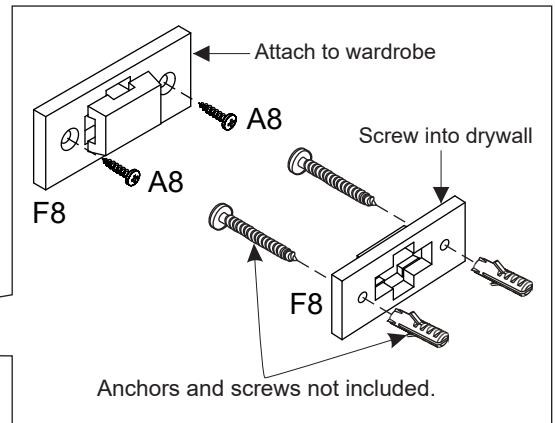
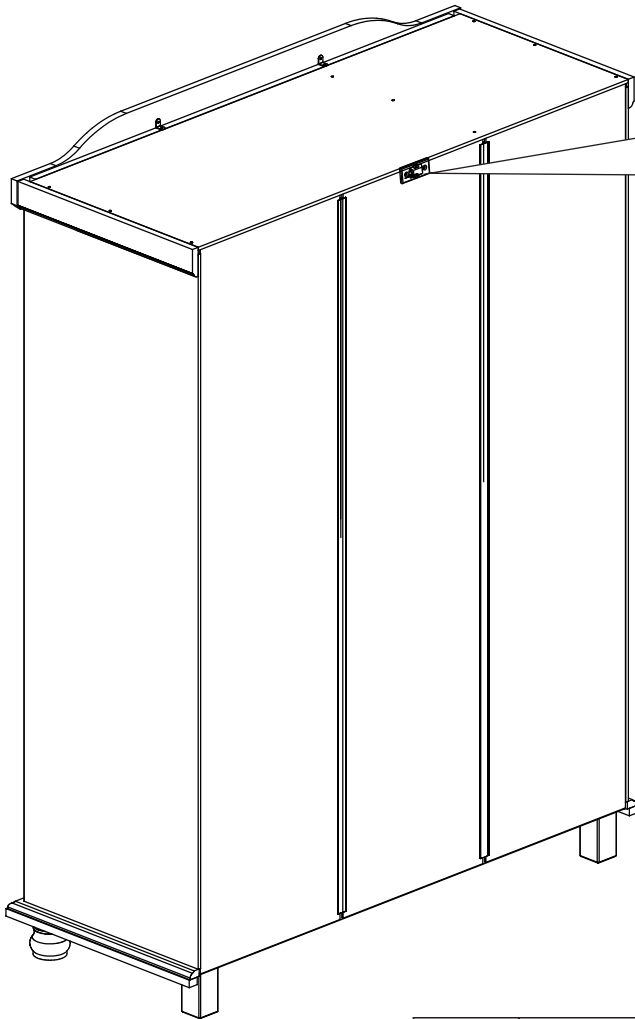
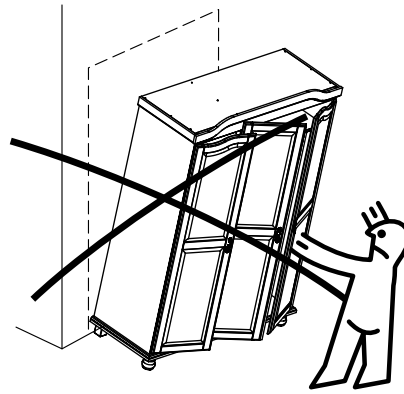
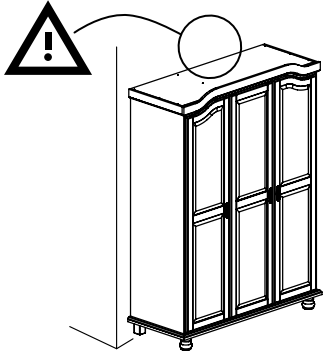
A7		06
	3.0x16	
H18		03


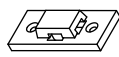

20)

DOOR AND HINGE ADJUSTMENTS



21) FURNITURE TIPOVER PREVENTION KIT INSTALLATION



A8	 3.0x20	02
F8		02
F9		01