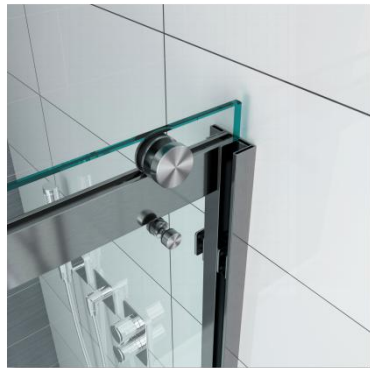


## DS10



### Frameless Aluminum Double Sliding Door



304 Stainless steel hardware.

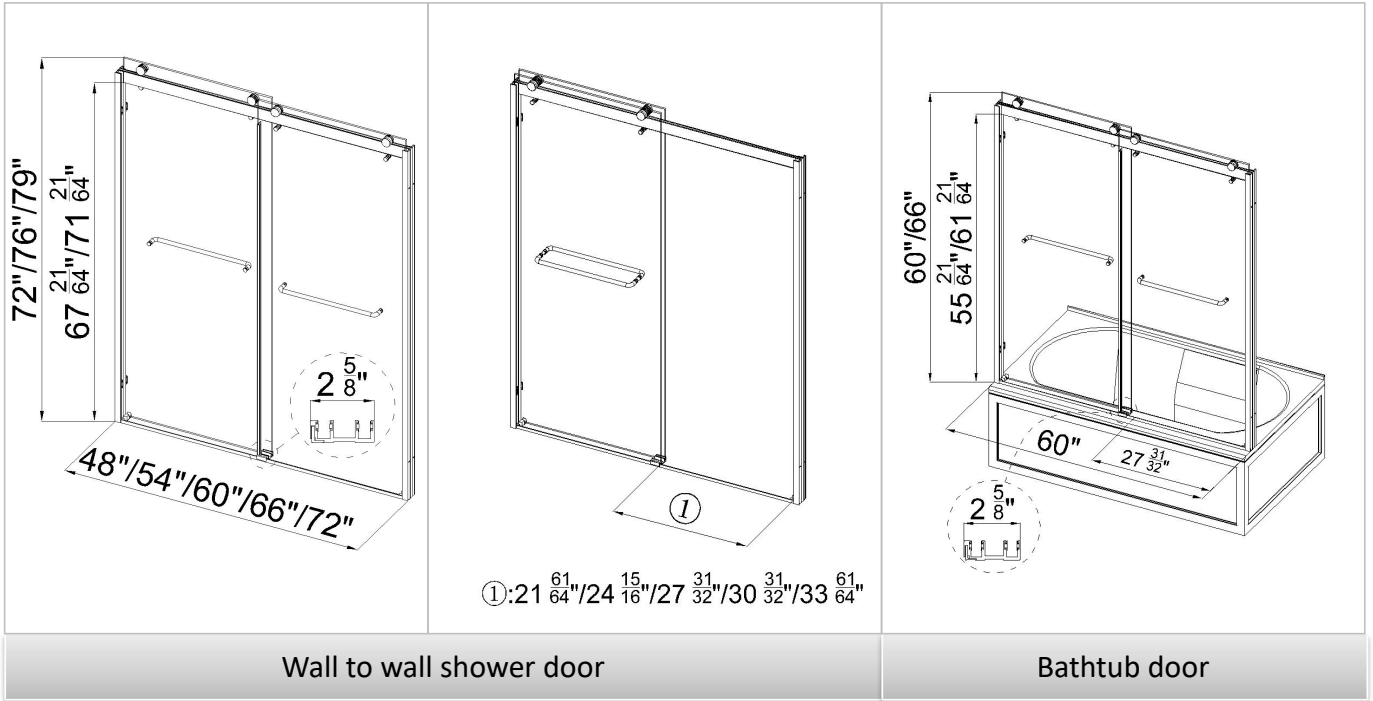
3/8"(10mm) or 5/16" (8mm)tempered glass in United States standards.

Its width can be adjusted in about 4" (100mm).

Easy & quick installation with good sealing.

Suitable for hotel project and apartment.

## DS10



Chrome



Brushed Nickel



Matte Black



Easy-Clean Glass



Common Glass

<http://mcocodusa.com>  
<http://mcocodshowerdoor.com>  
 Email: [manager@mcocod.com](mailto:manager@mcocod.com)

Tel: (321)-946-6293  
 Tel: (321)-947-4100

Warehouse: 309 Dodd Blvd SE,#100 Rome,GA30161

Warehouse: 16030 Phoenix dr, city of industry CA 91745