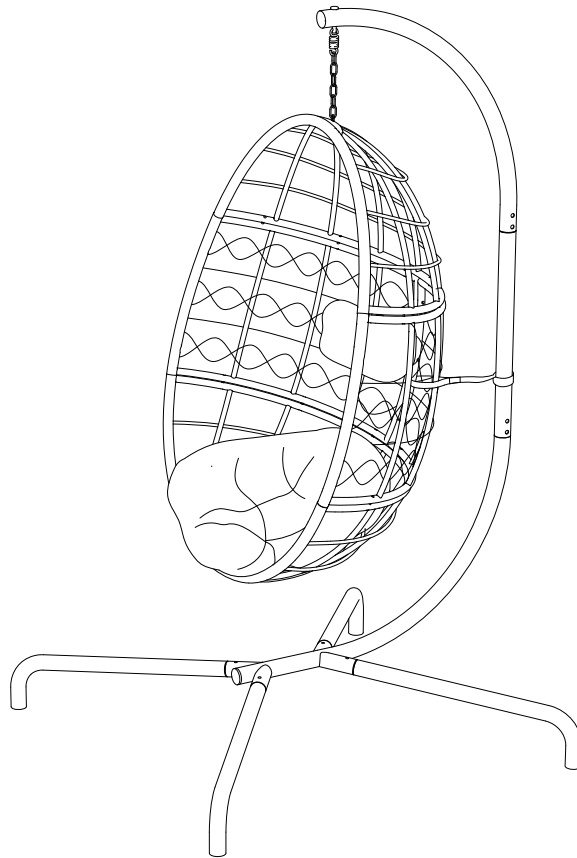


# Basket Swing Chair



**Read the instructions before use of this product.**

Please keep this instruction manual for future reference.

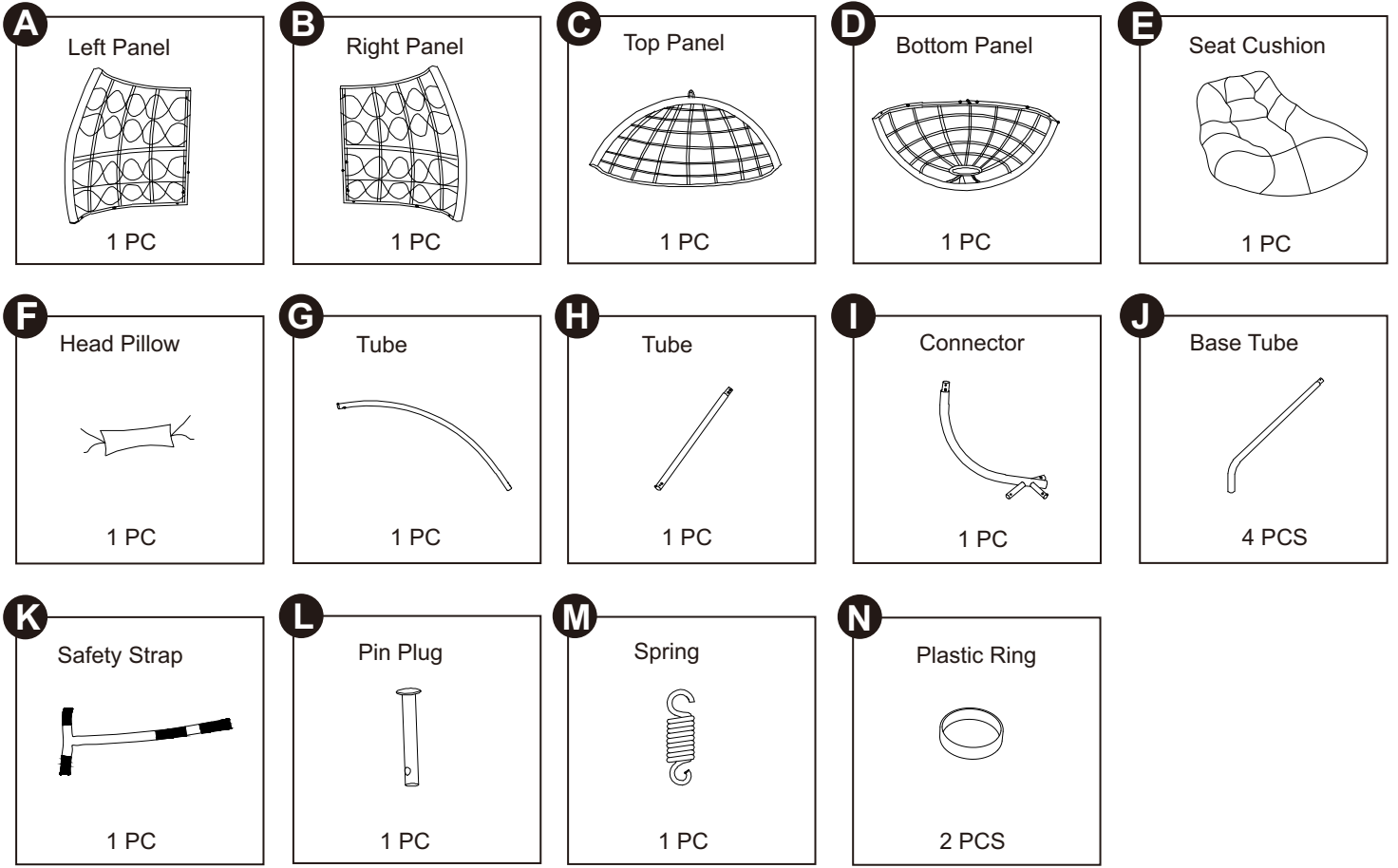
## ⚠ NOTICE

- Please keep children away during assembly. This item contains small parts that can be dangerous for children. Children should always be under direct adult supervision while using this product.
- Do not discard any of the packaging until you have checked that you have all of the parts and fittings required.
- Carefully remove the contents from the package. If any parts are missing, broken, damaged, do not attempt to use the product until they have been obtained.
- Make sure that each bolt needed for all steps matches the corresponding figure ensure proper assembly.
- Please do not exceed the weight limitations of this item.
- Do not stand on or use any part of this item as a step ladder.
- Firmly secure all bolts, screws and knobs before use.
- Be aware that some parts are heavy and have sharp edges.
- Do not use or store this item in the proximity of open flame or flammable/combustible chemicals.

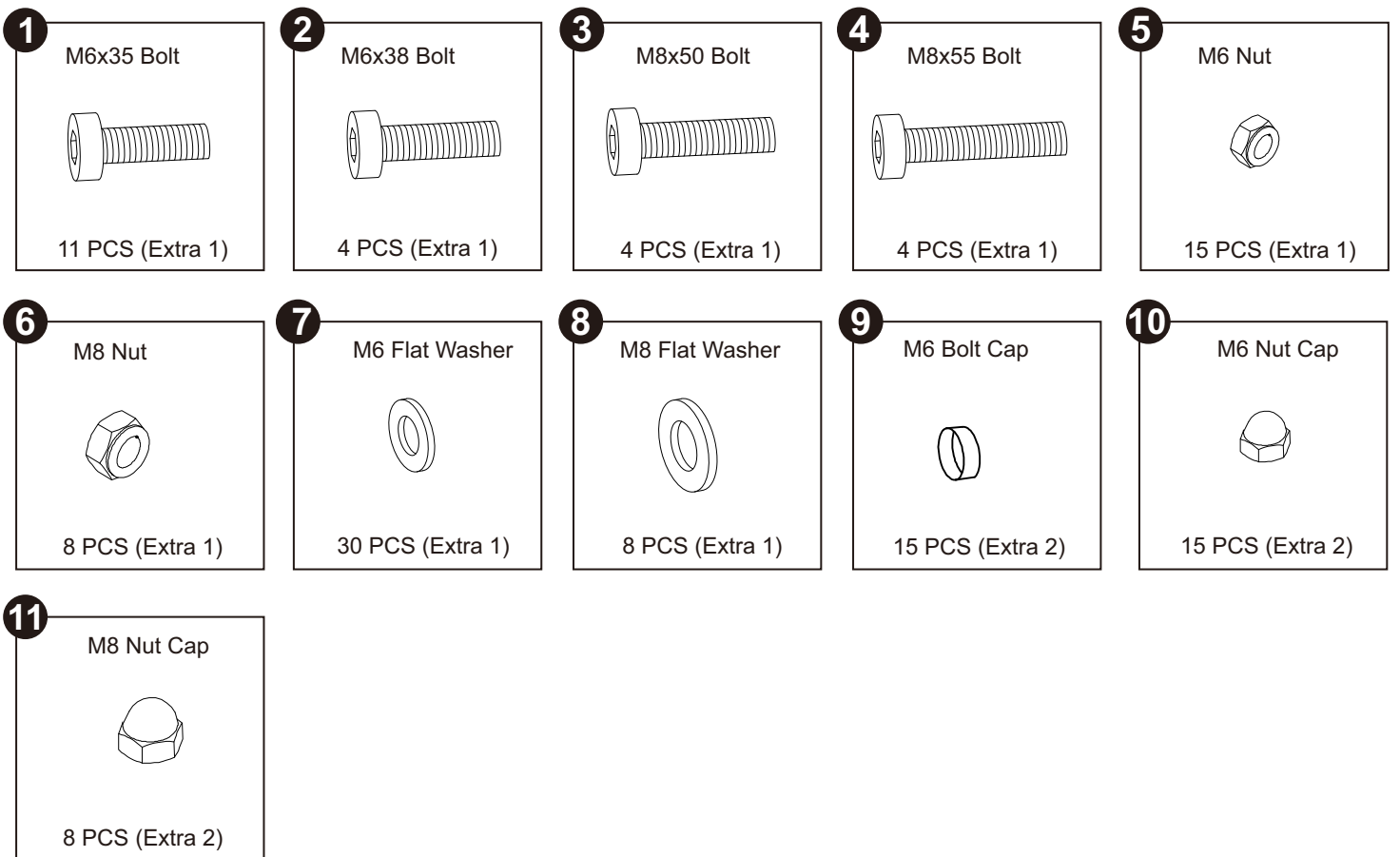
## CLEANING AND MAINTENANCE

- Clean frame with mild soapy water, rinse thoroughly. Dry frame parts completely. Do not use bleach, acid, or other solvents on the fabric and metal parts.
- If outdoor furniture is caught during a sudden rain storm, please make sure to drain any water that may have accumulated inside the frame and dry completely.
- We recommend the use of furniture covers to protect when not in use, and store properly during inclement weather and the winter/rainy seasons.
- Inspect and tighten all bolts on a regular basis to ensure proper performance and safety.
- In order to prolong the life and beauty of your outdoor furniture, we recommend storing it in a dry and protective area during off season periods.

## PARTS



## HARDWARE

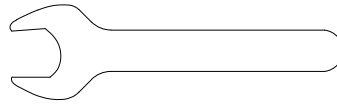


## TOOLS REQUIRED

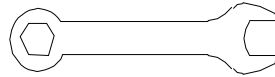


M6&M8 Allen Wrench  
1 PC

+



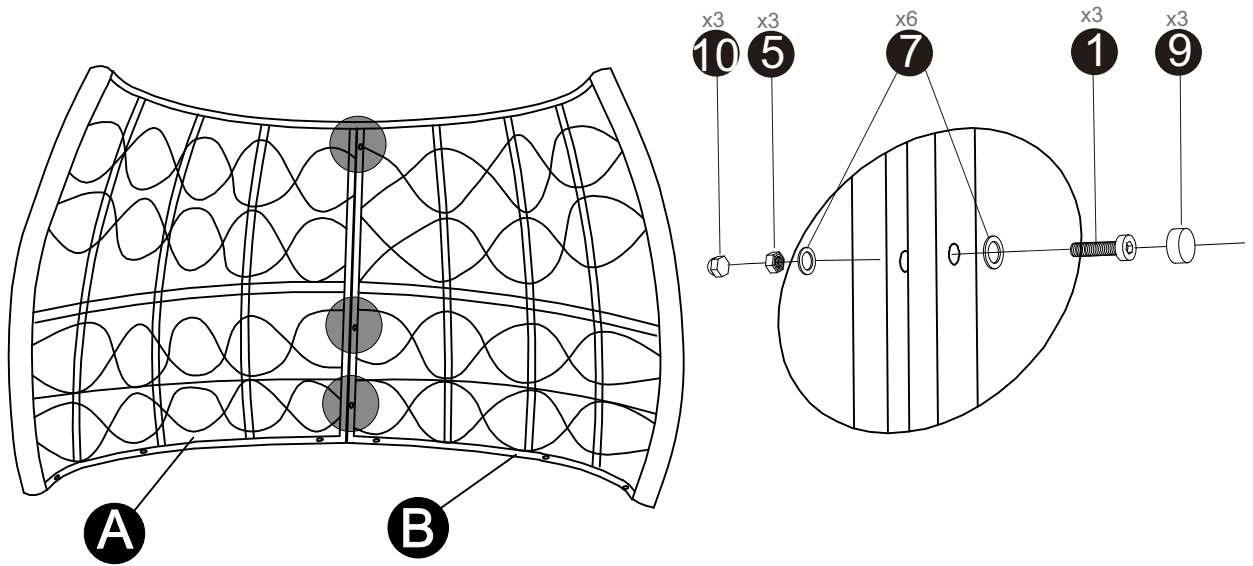
M8 Wrench  
1 PC



Wrench  
1 PC

## PARTS

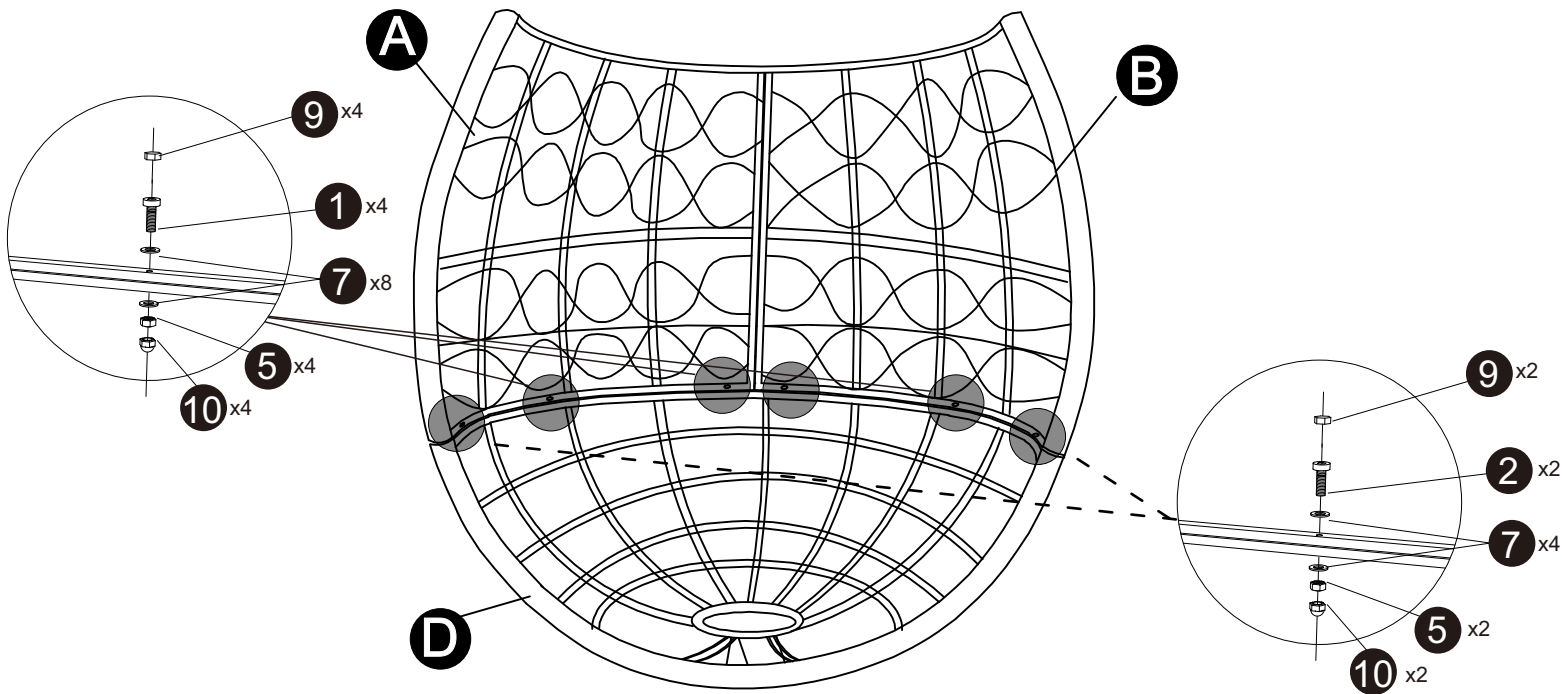
# 1



Attach left panel (part A) to right panel (part B) using bolts (1), nuts (5), flat washers (7), bolt caps (9) and nut caps (10).

NOTE: Please do not fully tighten bolts until unit is fully assembled.

# 2

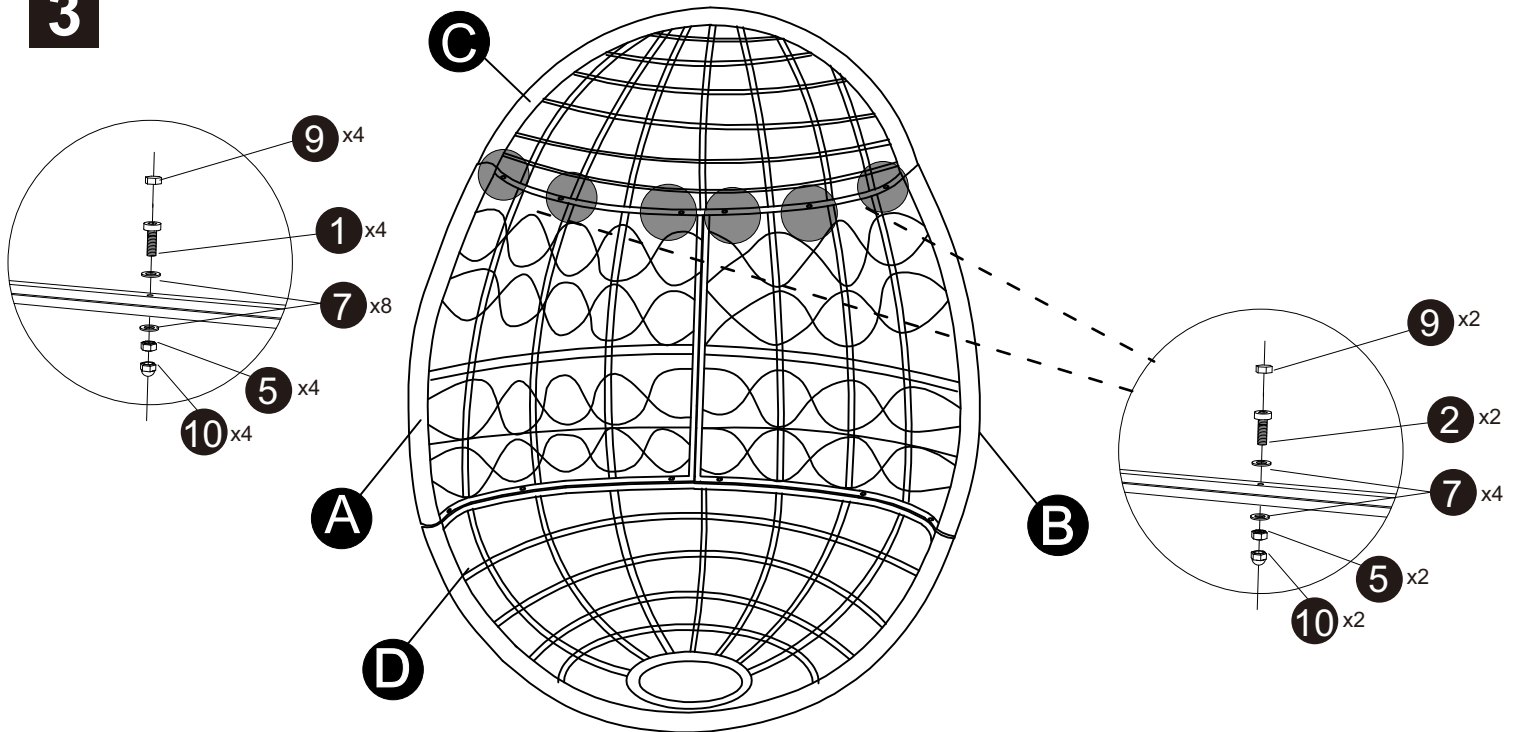


Attach bottom panel (part D) to assembled unit (parts A & B) using bolts (1 & 2), nuts (5), flat washers (7), bolt caps (9) and nut caps (10).

NOTE: Please do not fully tighten bolts until unit is fully assembled.

## PARTS

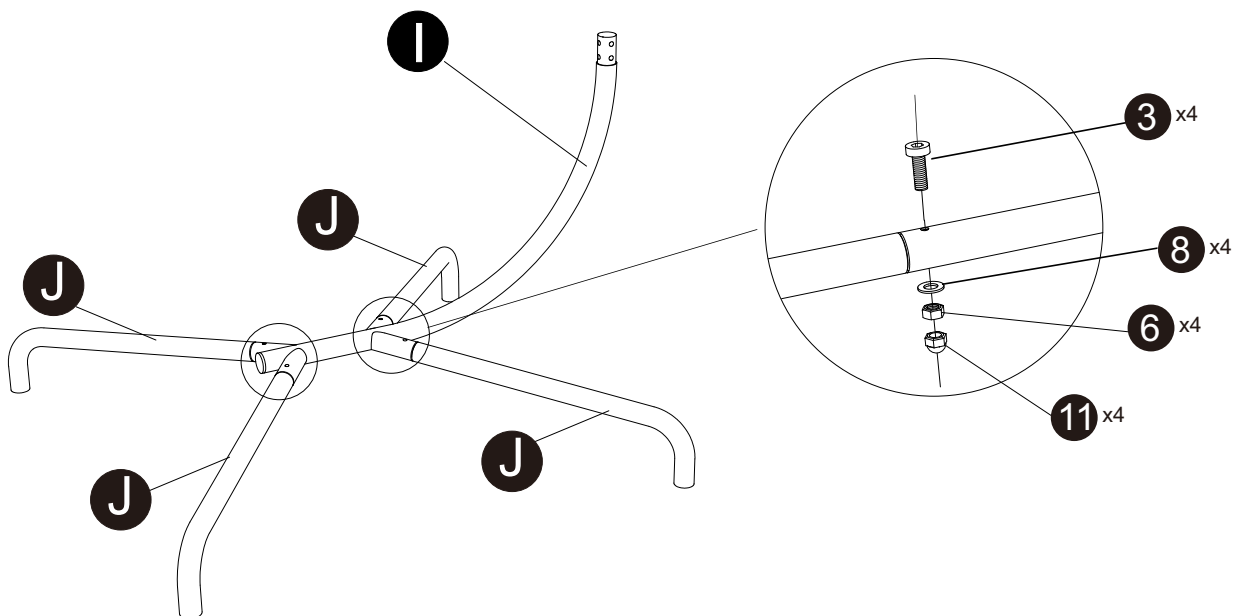
### 3



Attach top panel (C) to left panel (A) and right panel (B) using bolts (2&3), nuts (5), nut caps (6) and bolt caps (7).

NOTE: Please fully tighten all bolts at this time.

### 4

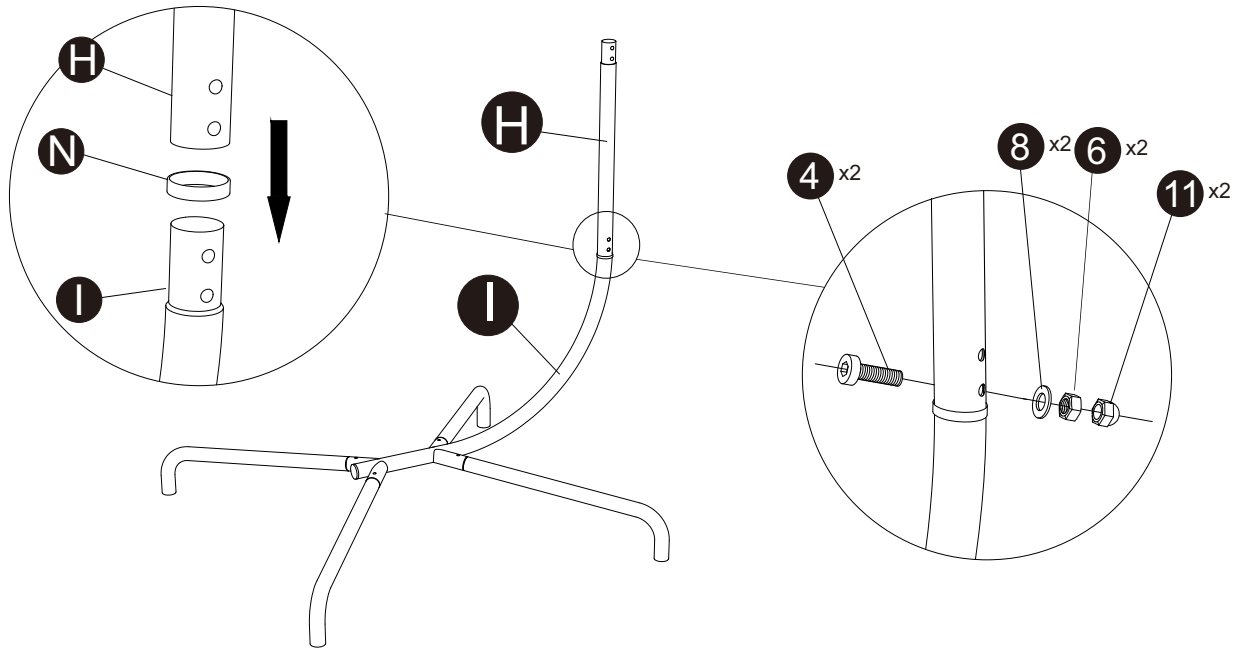


Attach base tube (J) to connector (I) using bolts (3), nuts (6), flat washers (8) and nut caps (11)

NOTE: Please do not fully tighten bolts until unit is fully assembled.

## PARTS

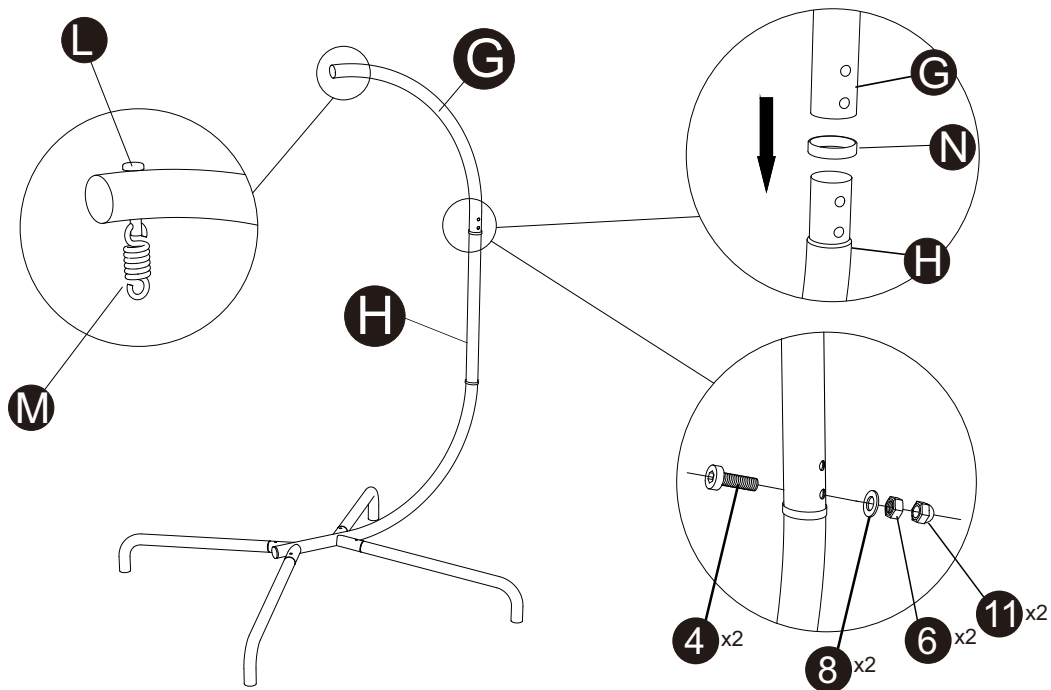
5



Attach plastic ring (N) and tube (H) to connector (I) using bolts (4), nuts (6), flat washers (8) and nut caps (11).

NOTE: Please do not fully tighten bolts until unit is fully assembled.

6



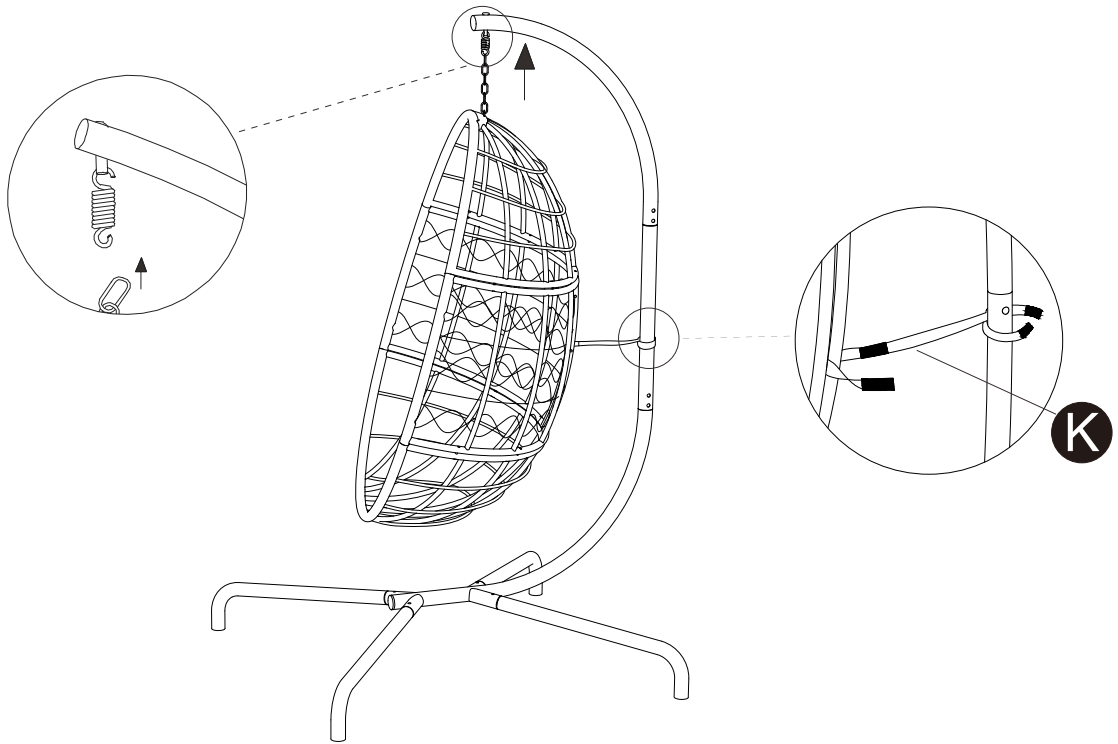
Attach plastic ring (N) and tube (G) to tube (H) using bolts (4), nuts (6), flat washers (8) and nut caps (11).

Insert pin plug (L) into tube (G). Attach spring (M) to pin plug (L).

NOTE: Please fully tighten all bolts at this time.

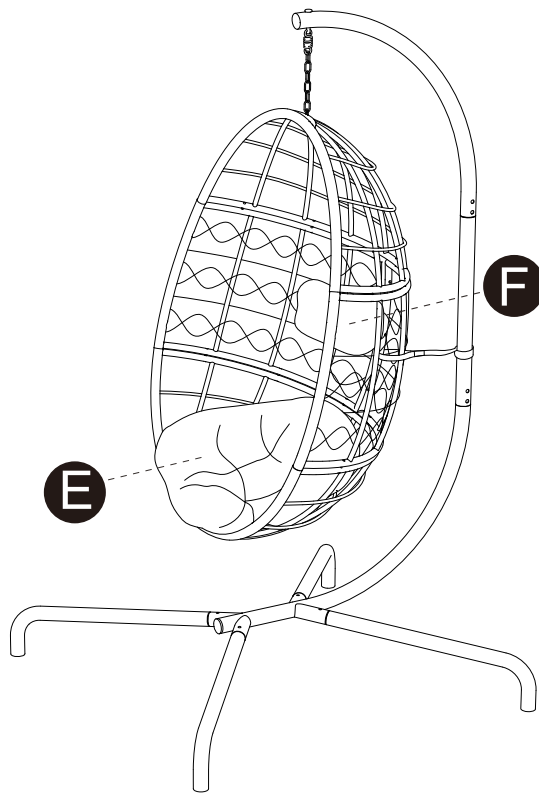
**PARTS**

**7**



Carefully hang chair to the stand.  
Connect chair and stand using safety strap (K).

**8**



Place seat cushion (E) and head pillow (F).  
Now enjoy your chair.