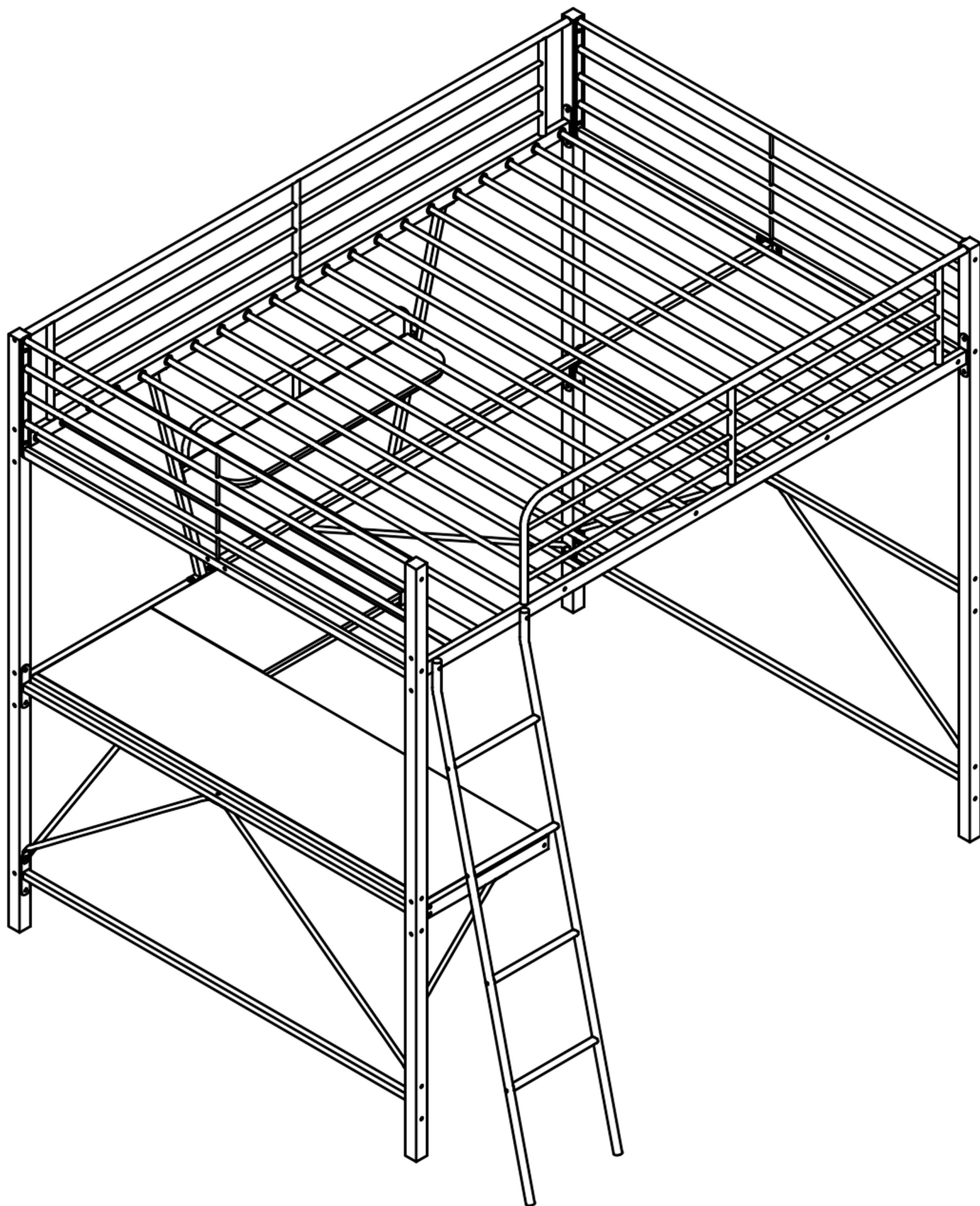


ASSEMBLY INSTRUCTIONS

LOFT BED



WF303932 + WF303933

SAFETY WARNINGS AND GENERAL NOTES

1. Follow the information on the warnings on the bunk bed end structure and on the carton. Do not remove the warning label from the bed.
2. Always use the recommended size mattress on mattress support, or both, to help prevent the likelihood of entrapment or falls.
3. Do not allow children under 6 years of age to use the upper bunk.
4. Periodically check and ensure the guardrail, ladder and other components are in their proper position, free from damage, and all connectors are tight.
5. Do not allow horseplay on or under beds.
6. Always prohibit jumping on the bed.
7. Prohibit more than one person on upper bunk.
8. Always use the ladder for entering and leaving the upper bunk.
9. Do not use substitute parts. Contact the manufacturer or dealer for replacement parts.
10. Use of a night-light may provide added safety precaution for a child using the upper bunk.
11. Always use guardrails on both long sides of the upper bunk.
12. If the bunk bed will be placed next to a wall, the guardrail that runs the full length of the bed should be placed against the wall to prevent entrapment between the bed and the wall. The use of water or sleep flotation mattresses is prohibited.
13. STRANGUIATION HAZARD- Never attach or hang items to any part of the bunk bed that are not designed for use with the bed; for example, but not limited to, hooks, belts and jump ropes.
14. Keep these instructions for future reference.
15. We recommend assembling your bunk bed on the shipping carton to protect your floor or carpet.
16. Be certain all staples are out of the box before beginning assembly on the shipping carton.
17. USE ONLY MATTRESSES WHICH ARE AS THE TABLE BELOW ON UPPER BUNK.

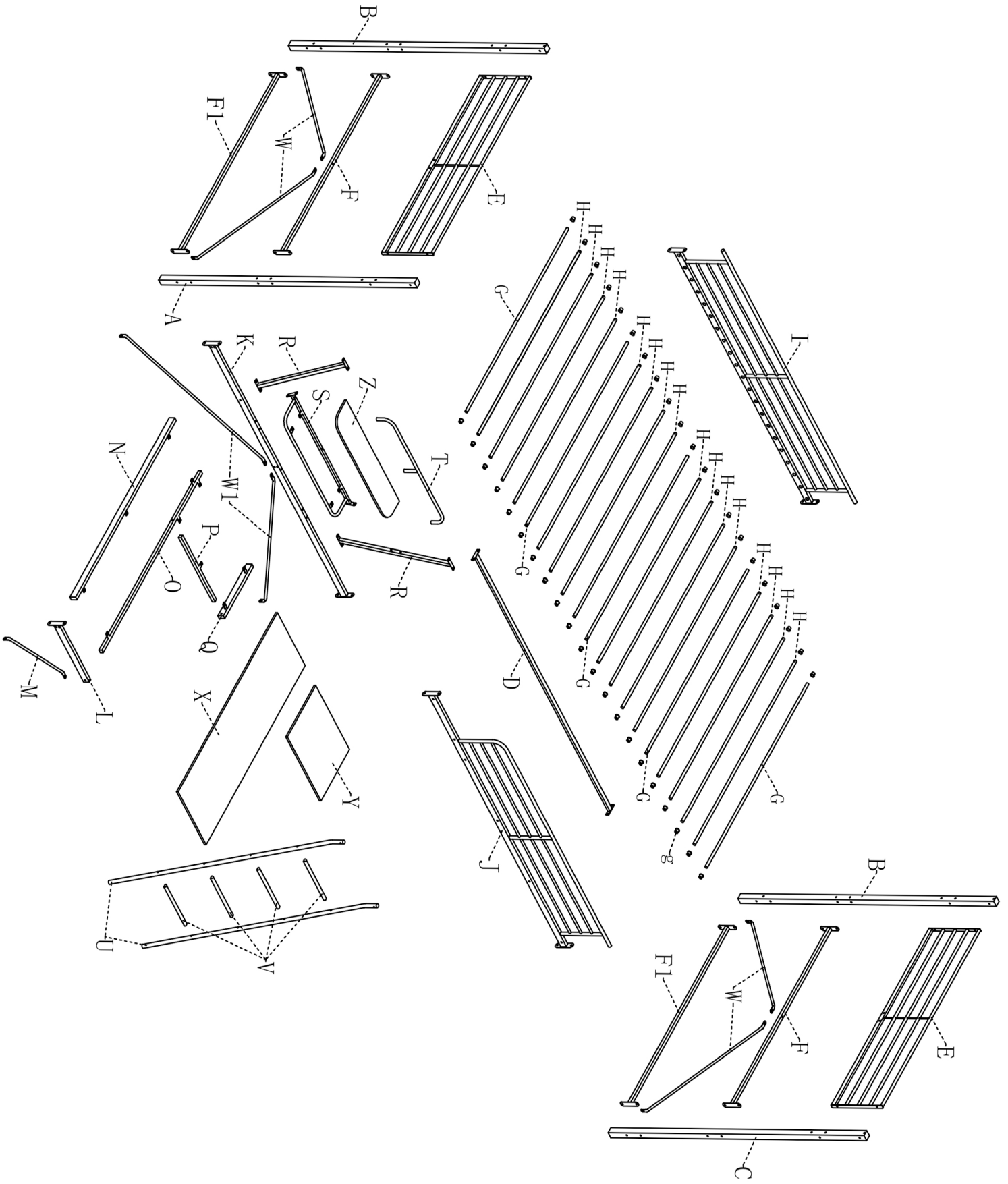
Up bed(bunk bed and tribed included)

Bed type	Length	Width	Thickness
Twin Standard	74" – 75"	54"	6" Max

18. SURFACE OF MATTRESS MUST BE AT LEAST 5" (127MM) BELOW THE UPPER EDGE OF GUARDRAILS.

19. Replacement Parts:

Replacement Parts, including additional guardrails, may be obtained from any of our (GIGACLOUD TECHNOLOGY (USA) INC) dealers.



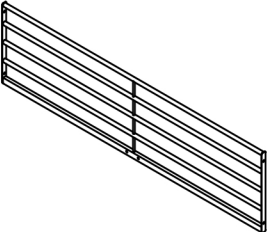
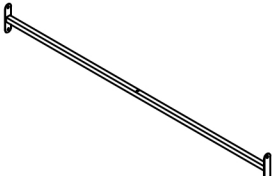
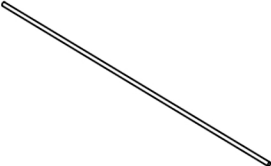
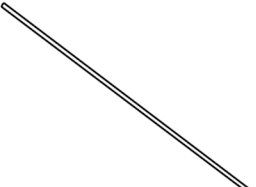
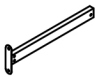

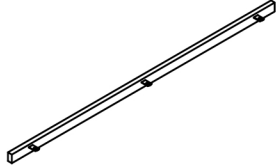
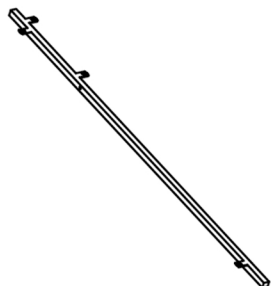


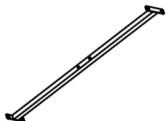
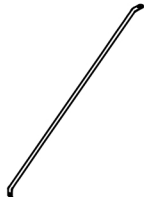
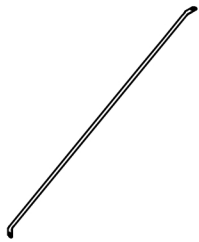

Parts List—WF303932

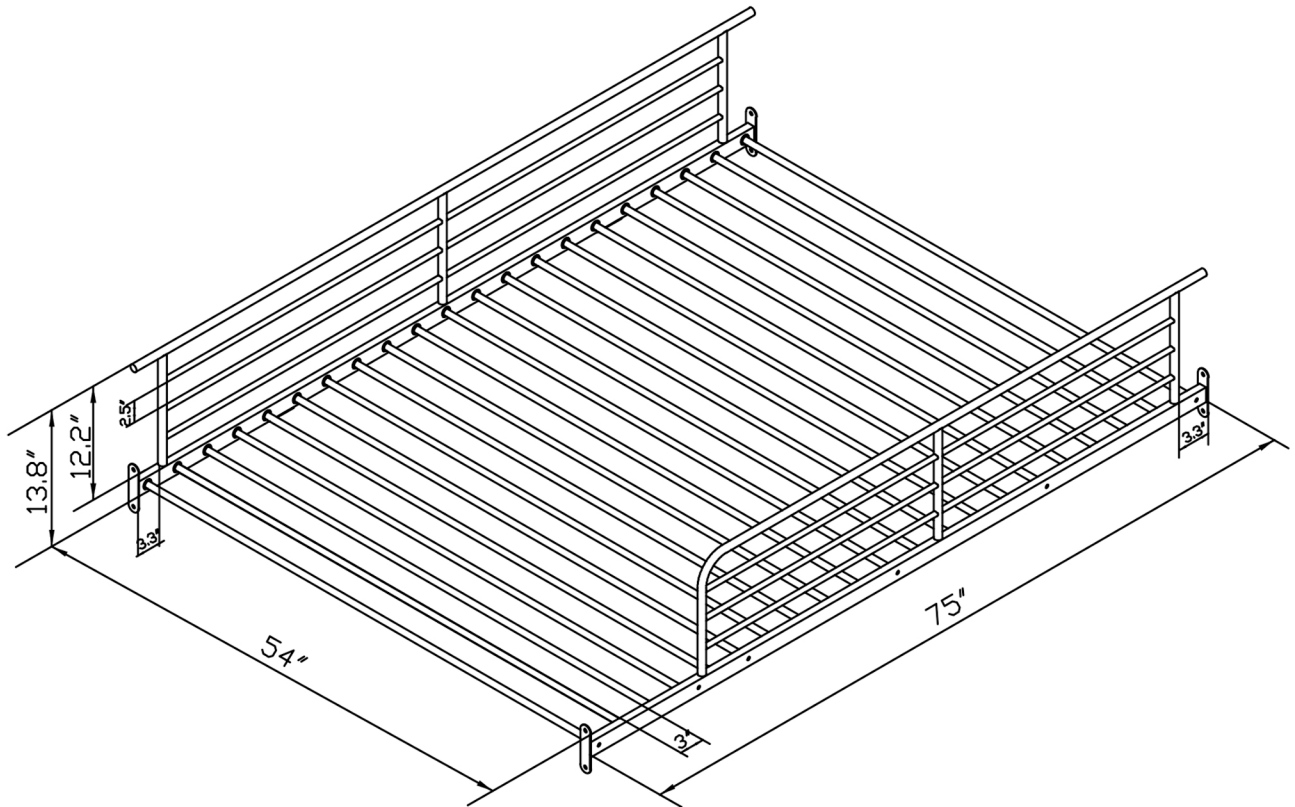
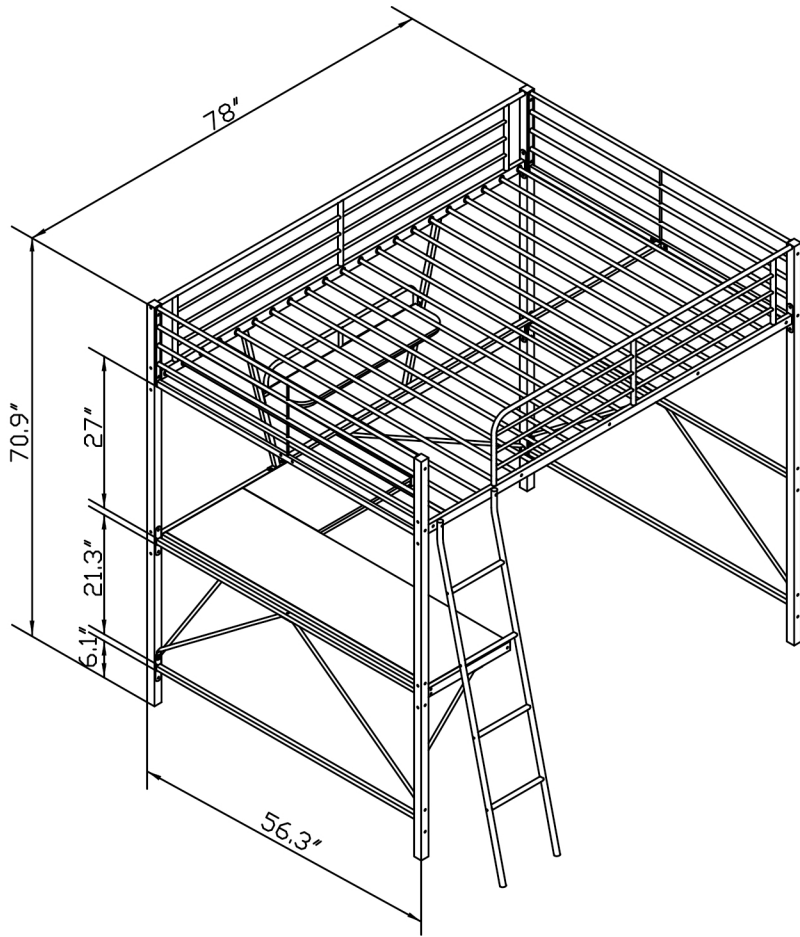
A		B		C		D		I		J			
1PC		2PCS		1PC		1PC		1PC		1PC			
K		U		F1		S		T		X			
1PC		2PCS		2PCS		1PC		1PC		1PC			
										Z			
										1PC			

Hardware List

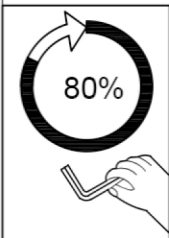
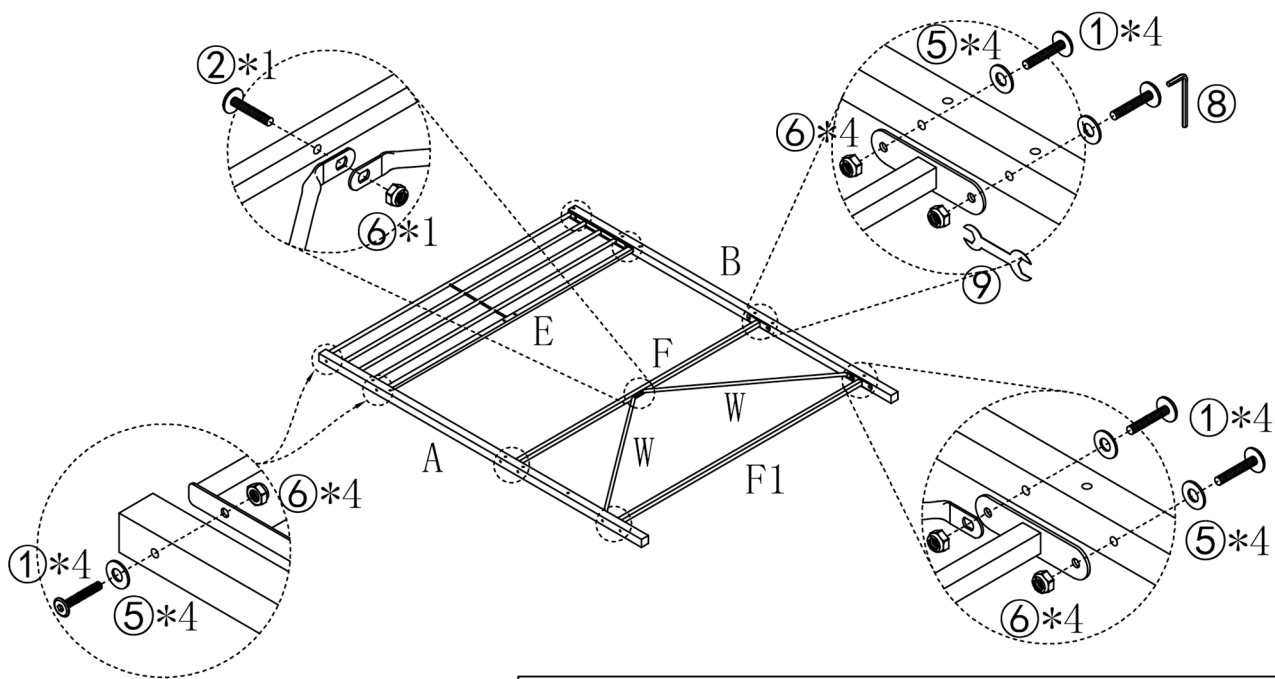
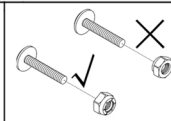
①	②	③	④	⑤	⑥	⑦	⑧	⑨
1/4*55 45PCS	1/4*35 28PCS	1/4*16 23PCS	M6*10 14PCS	40PCS	48PCS	42PCS	2PCS	2PCS
⑩	⑪							
2PCS	Φ6*47 4PCS							

Parts List — **WF303933**







E		F		G		H	
							
2PCS		2PCS		5PCS		16PCS	
L	M	N		O	P	Q	R
							
1PC	1PC	1PC		1PC	1PC	1PC	2PCS
W		W1	V				
							
4PCS		2PCS	4PCS				



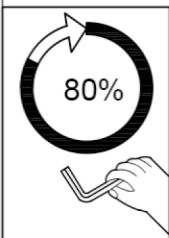
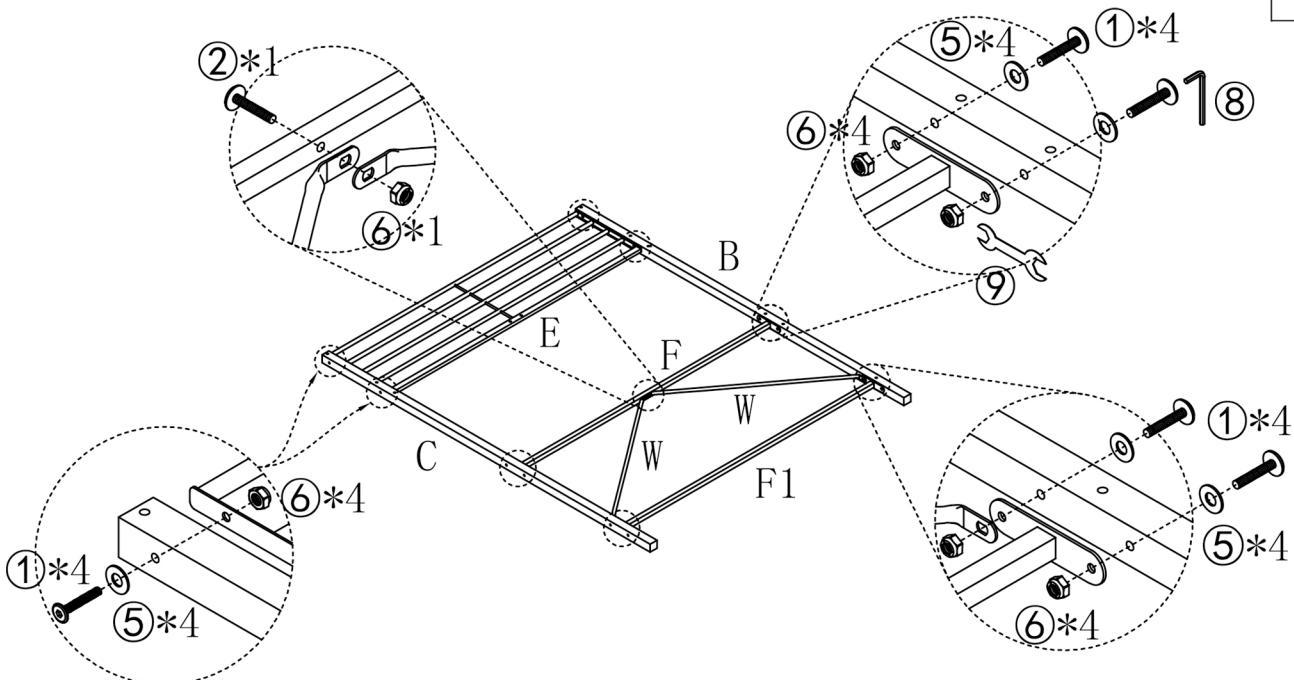
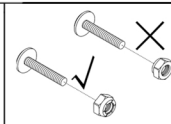
STEP 1:



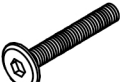





HARDWARE REQUIRED

					
①*12	②*1	⑤*12	⑥*13	⑧*1	⑨*1

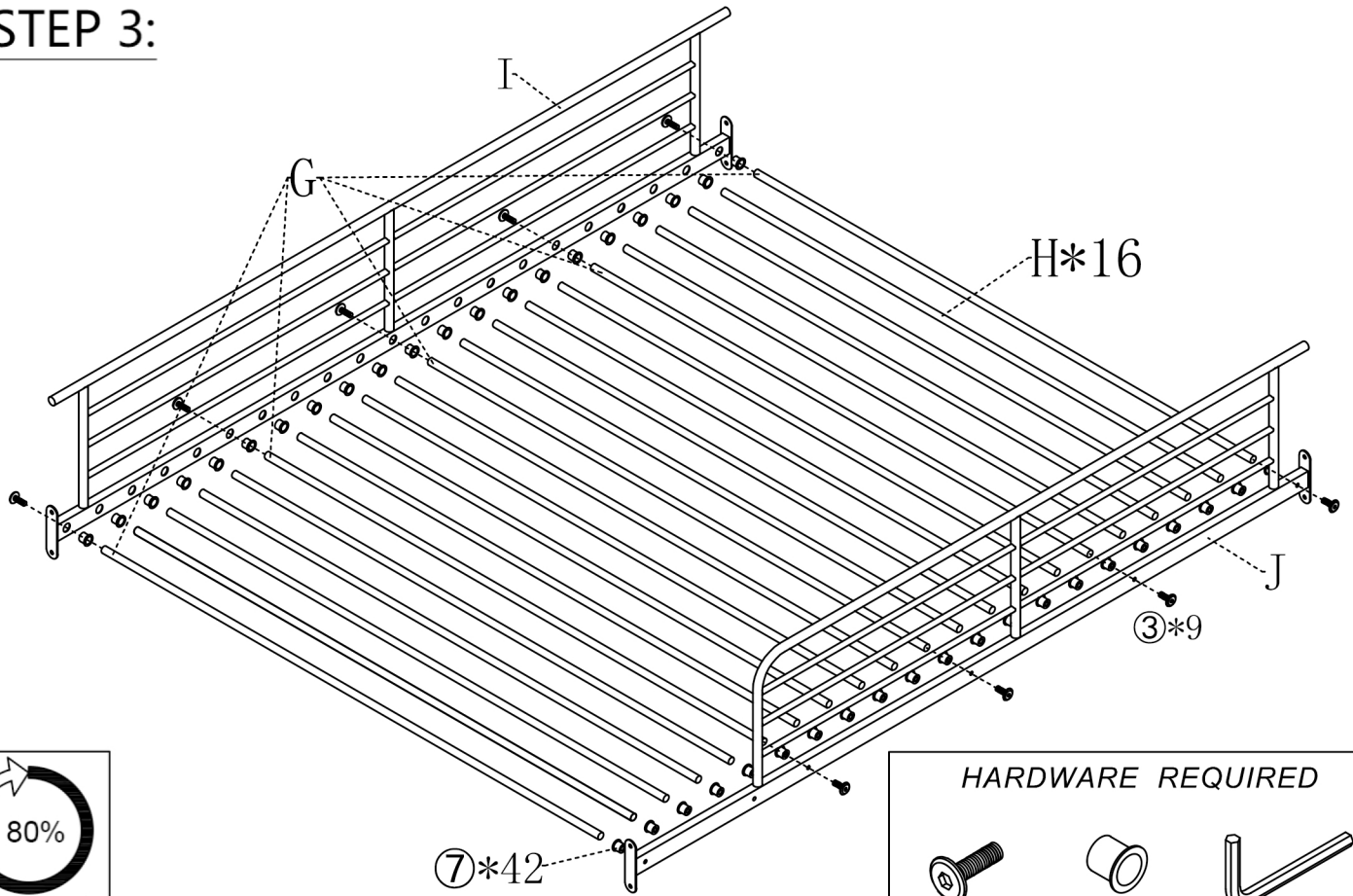
STEP 2:



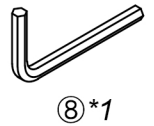
HARDWARE REQUIRED

					
①*12	②*1	⑤*12	⑥*13	⑧*1	⑨*1

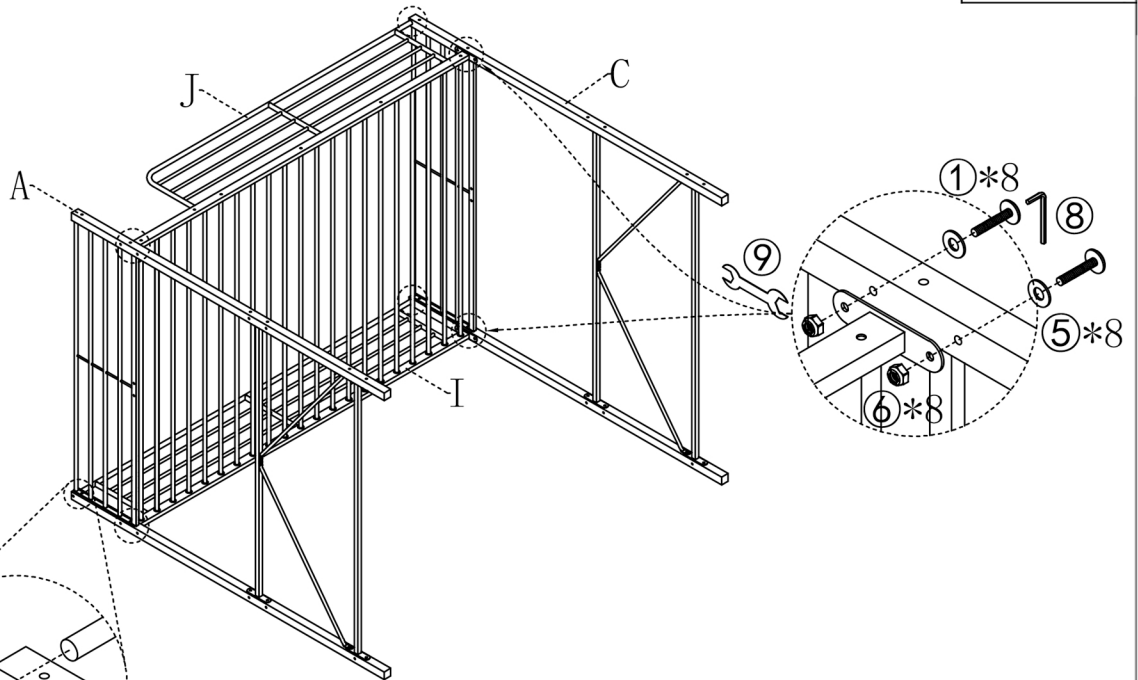
STEP 3:



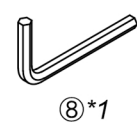
HARDWARE REQUIRED



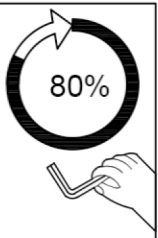
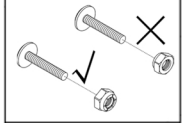
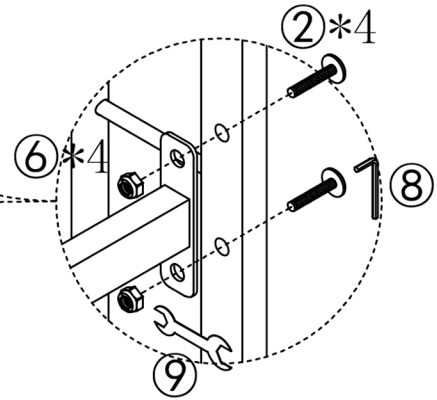
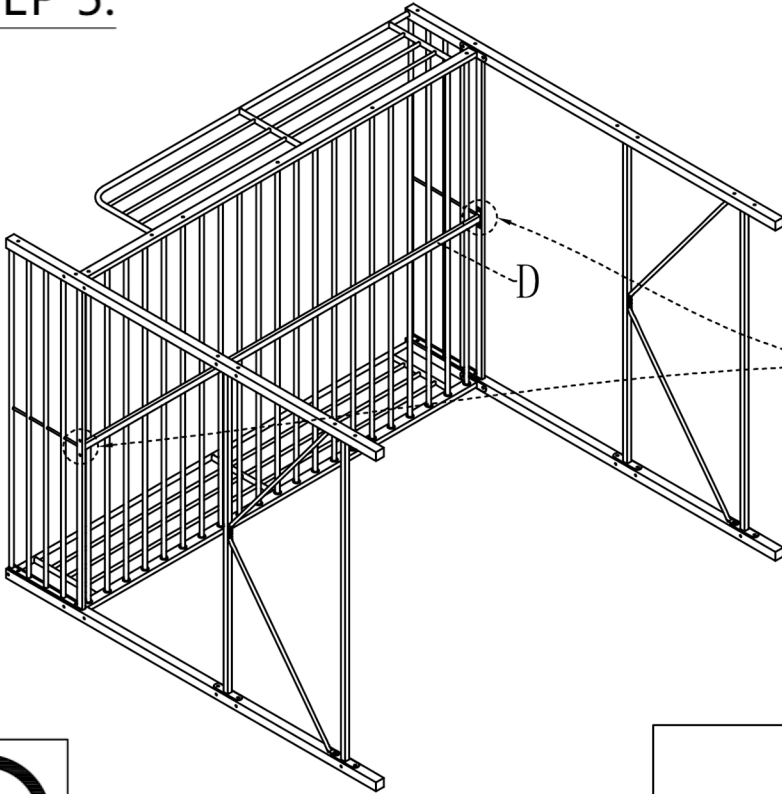
STEP 4:



HARDWARE REQUIRED



STEP 5:



HARDWARE REQUIRED



②*4



⑥*4

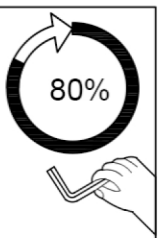
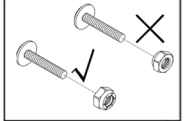
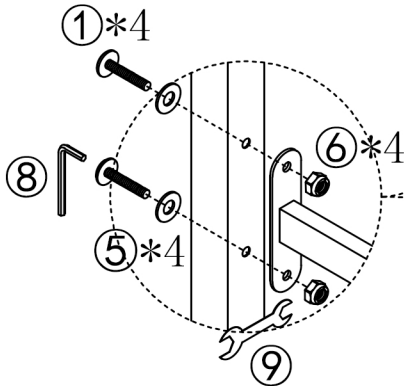
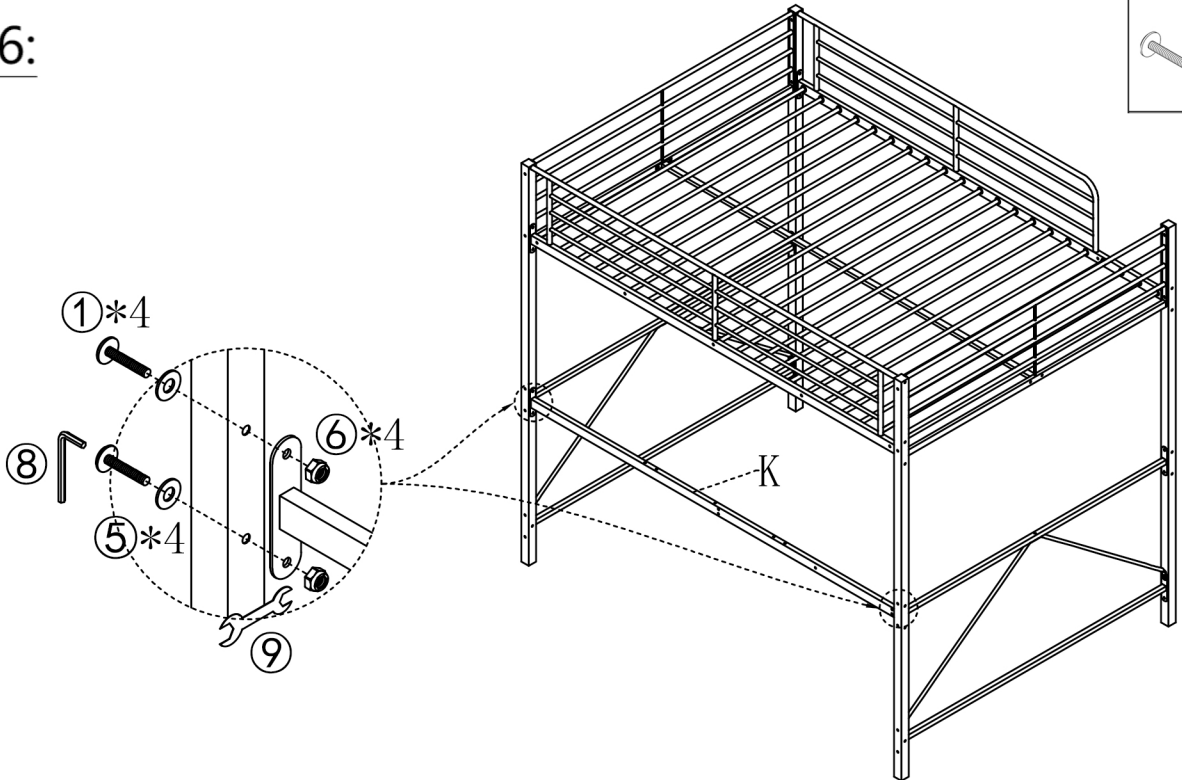


⑧*1



⑨*1

STEP 6:



HARDWARE REQUIRED



①*4



⑤*4



⑥*4

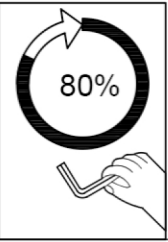
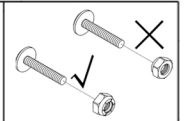
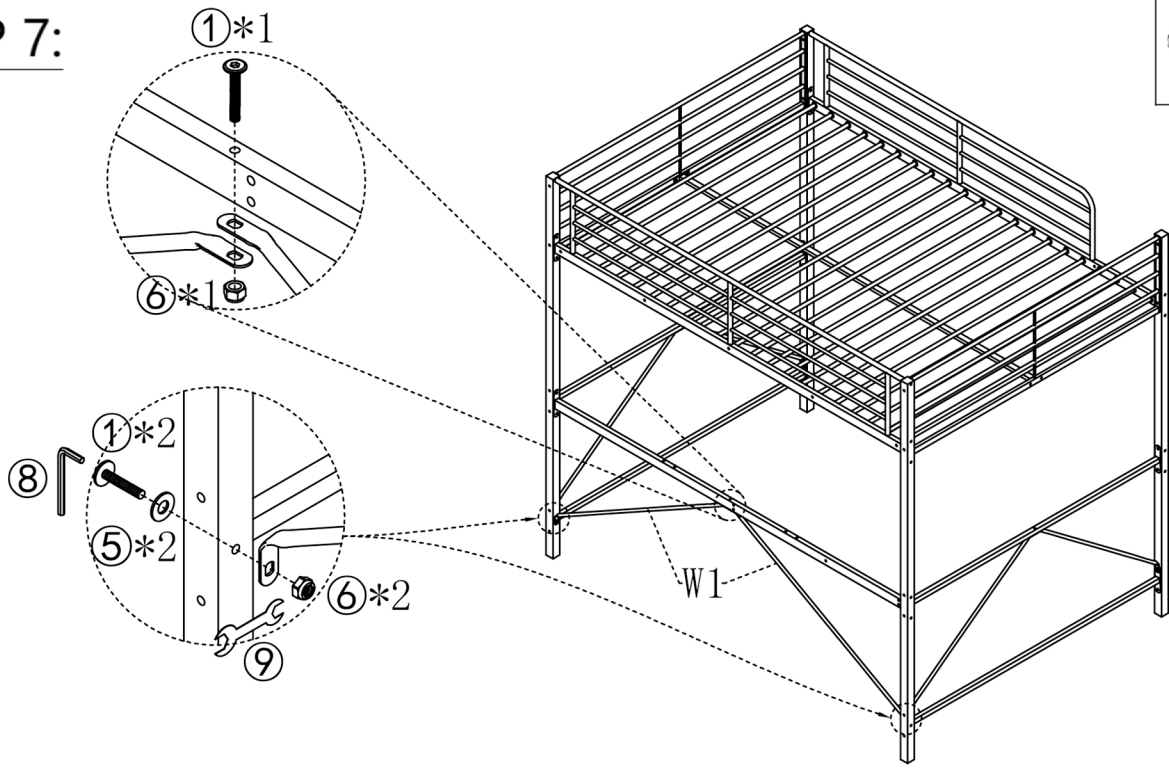


⑧*1

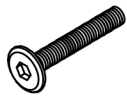






⑨*1

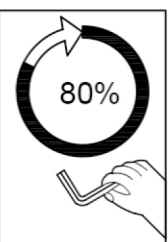
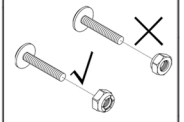
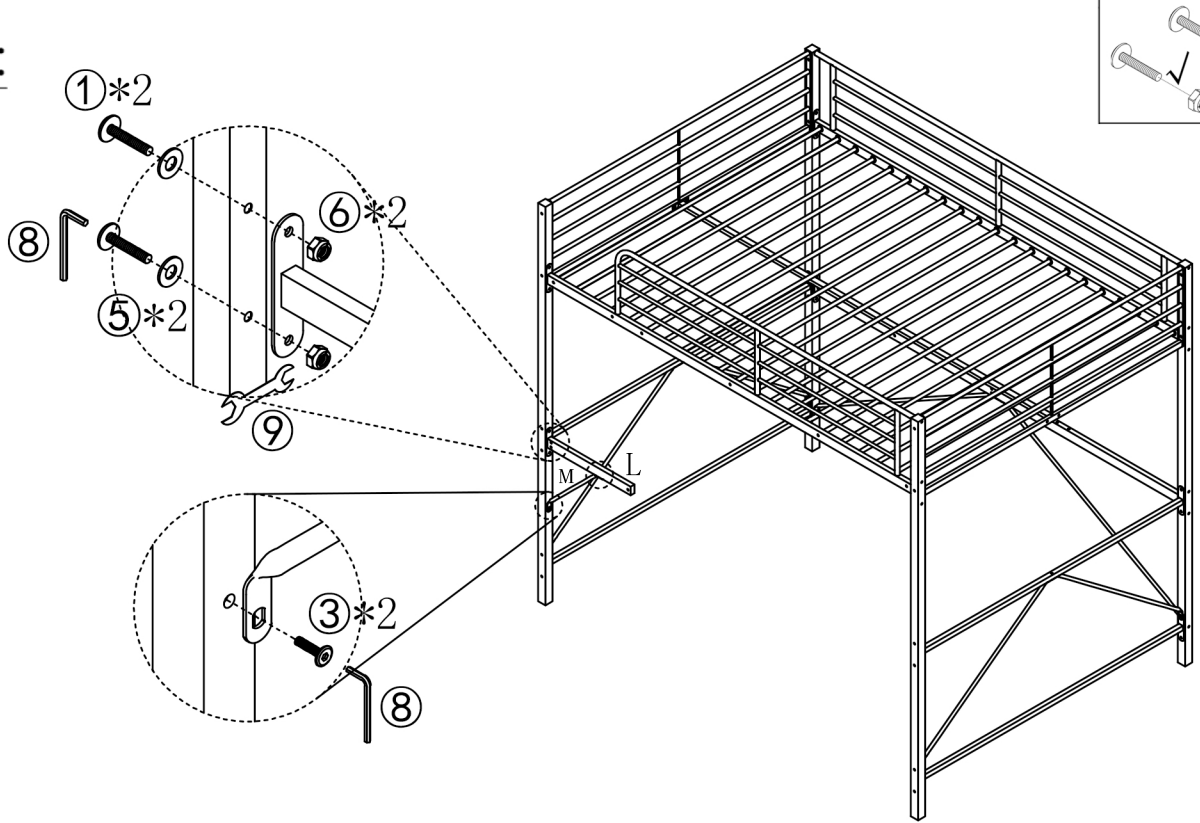
STEP 7:



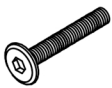





HARDWARE REQUIRED

				
①*3	⑤*2	⑥*3	⑧*1	⑨*1

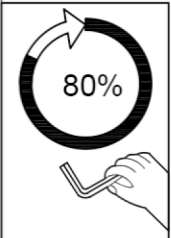
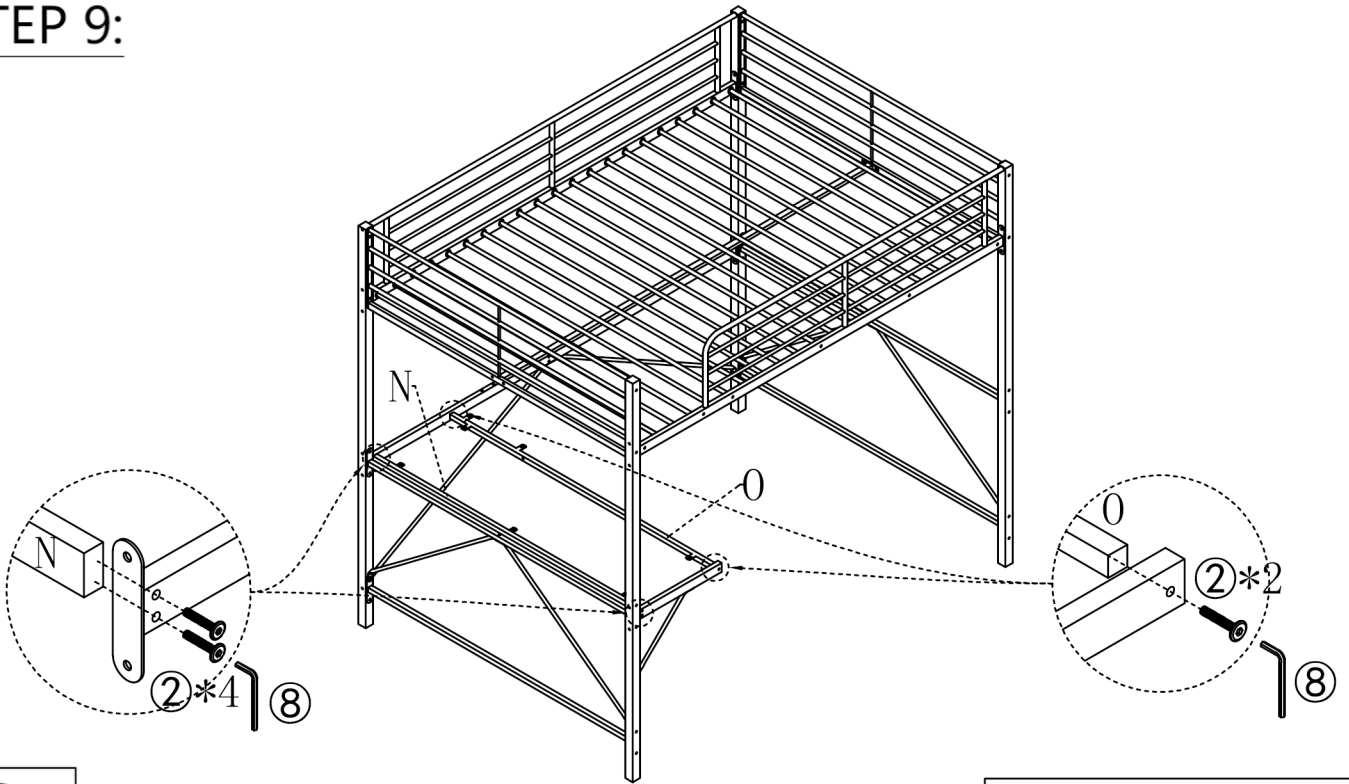
STEP 8:



HARDWARE REQUIRED

					
①*2	③*2	⑤*2	⑥*2	⑧*1	⑨*1

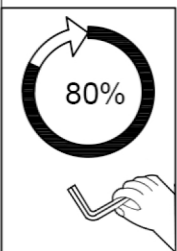
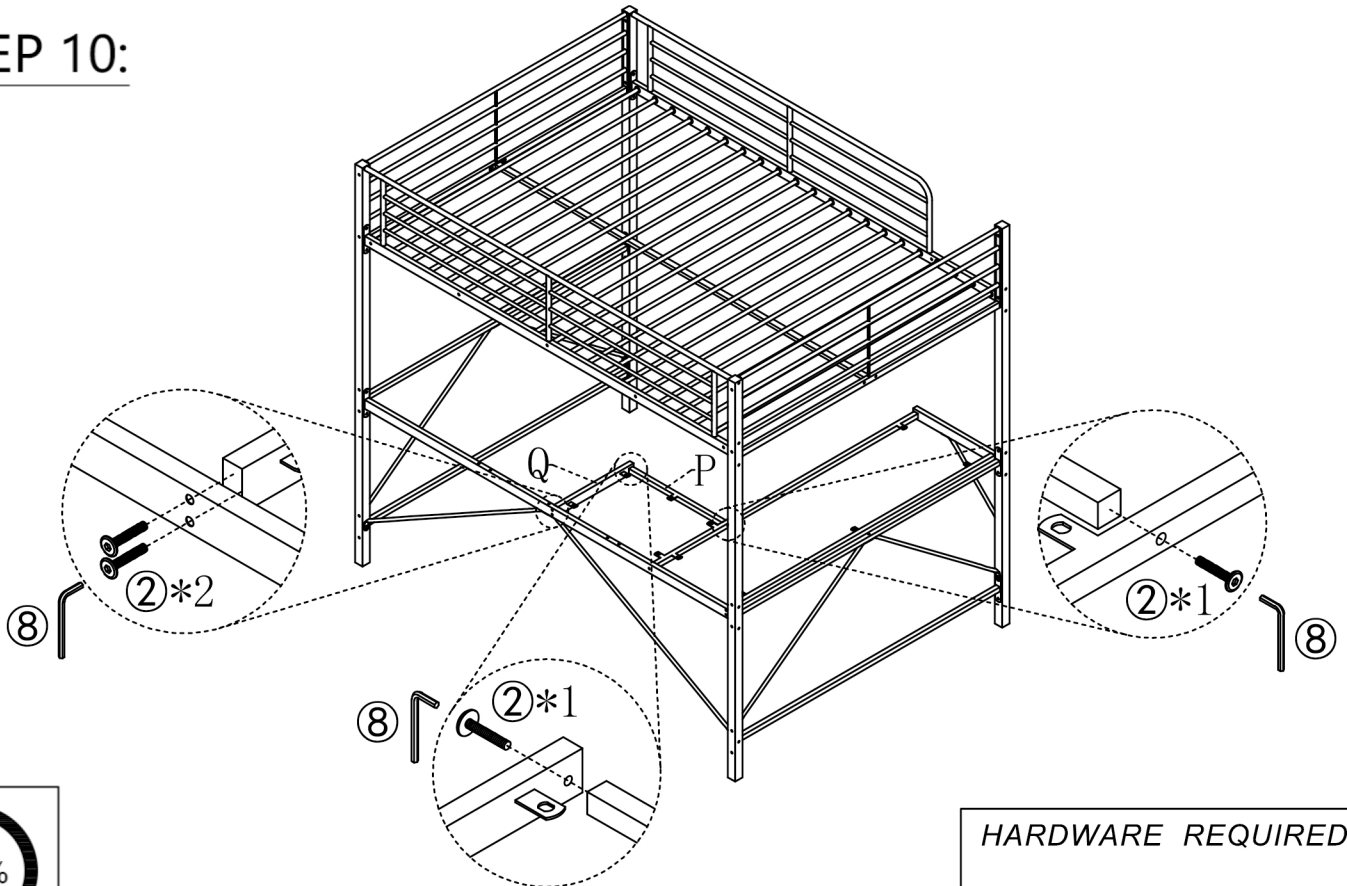
STEP 9:



HARDWARE REQUIRED

②*6 ⑧*1

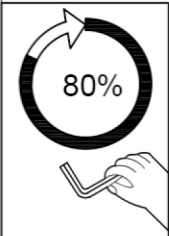
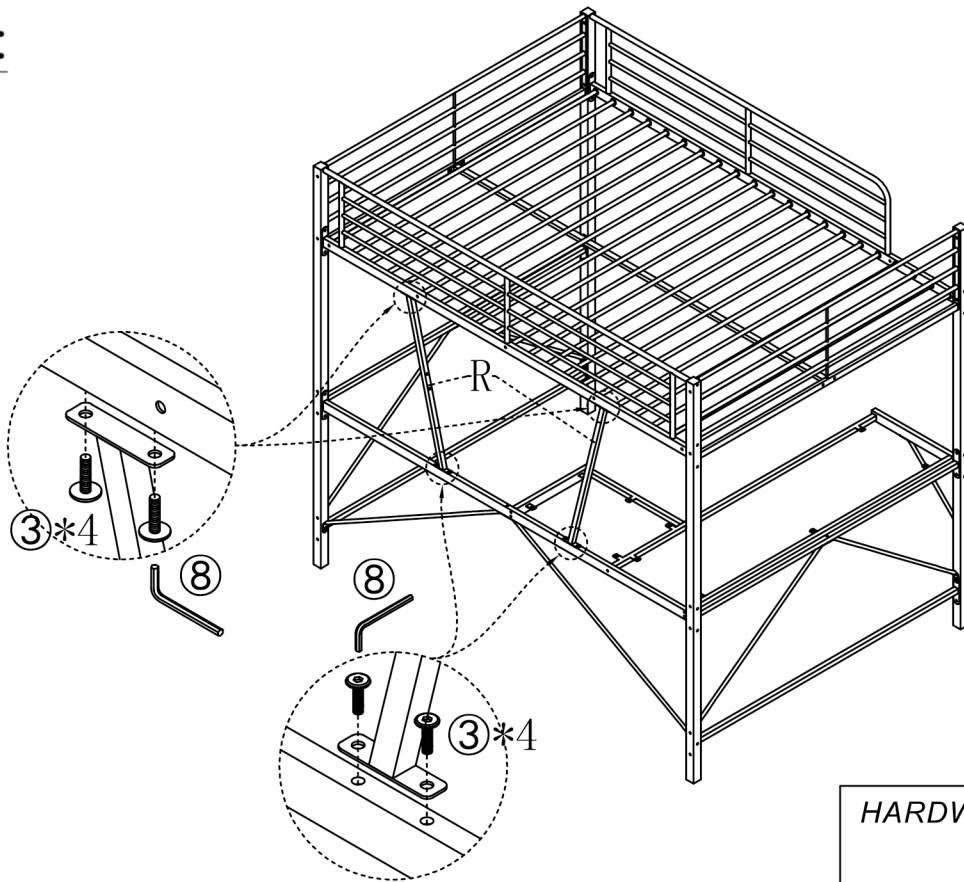
STEP 10:



HARDWARE REQUIRED

②*4 ⑧*1

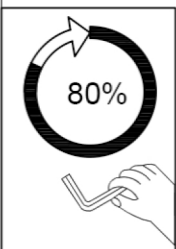
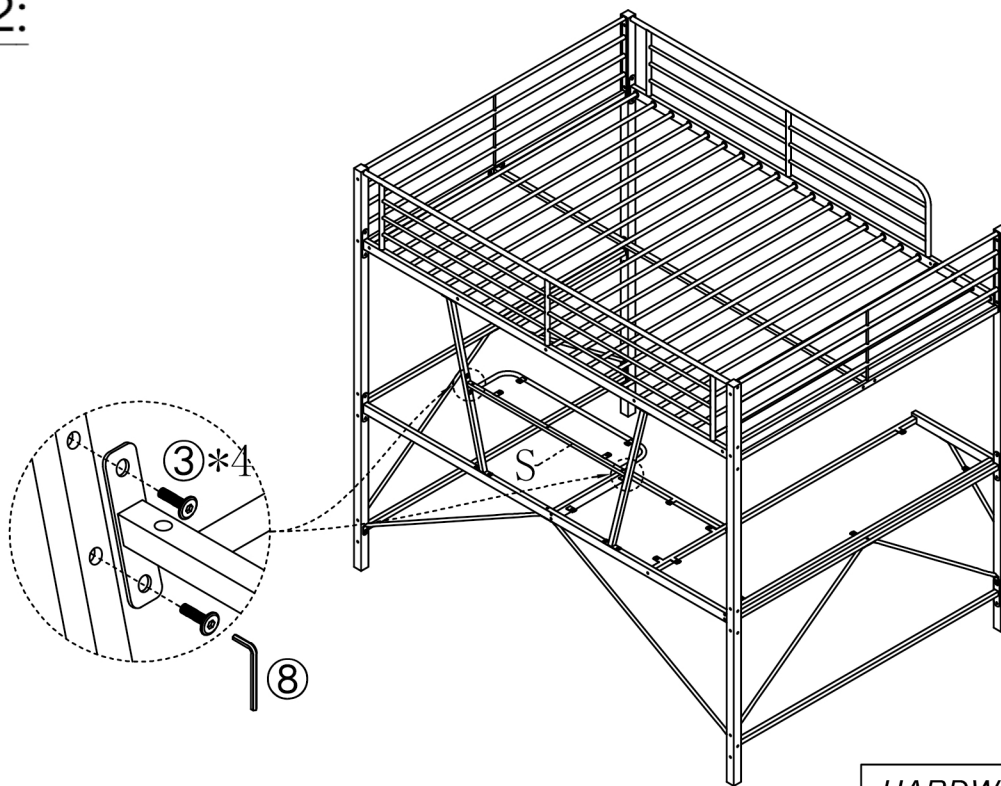
STEP 11:



HARDWARE REQUIRED

(3)*8 (8)*1

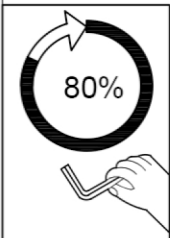
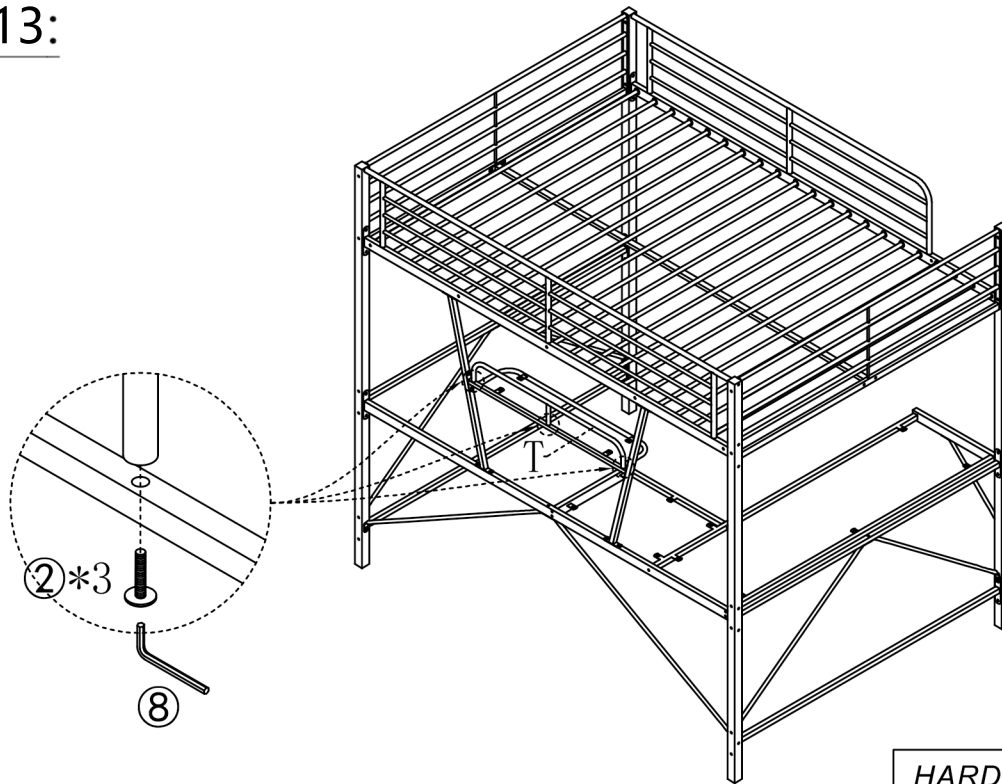
STEP 12:



HARDWARE REQUIRED

(3)*4 (8)*1

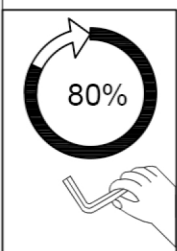
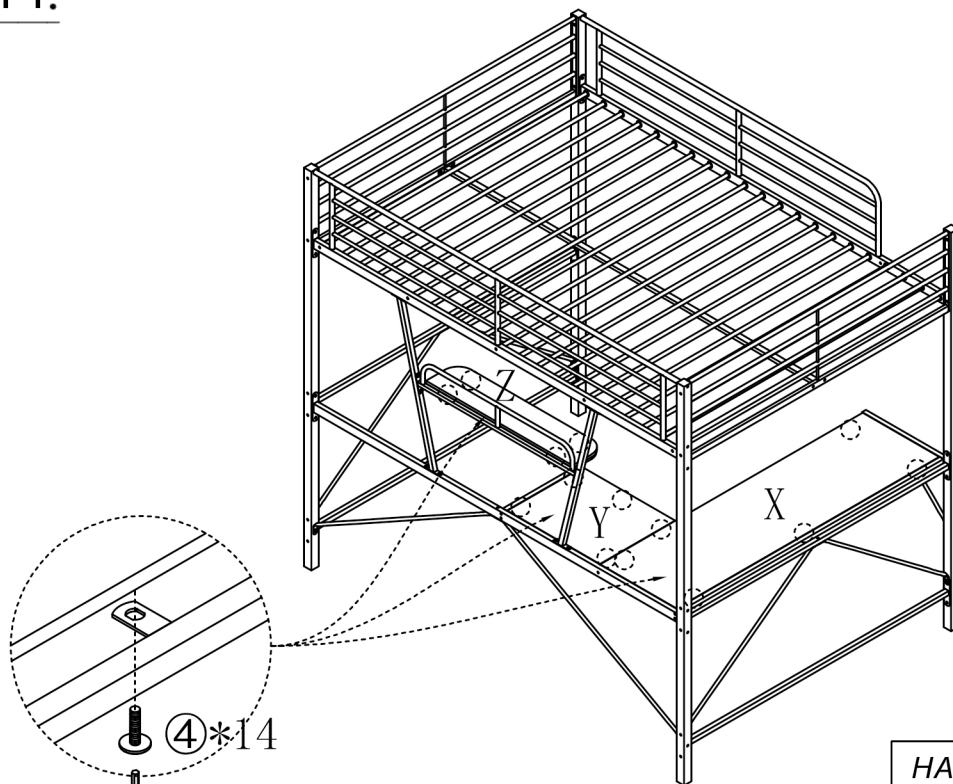
STEP 13:



HARDWARE REQUIRED

②*3 ⑧*1

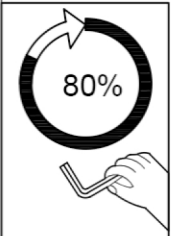
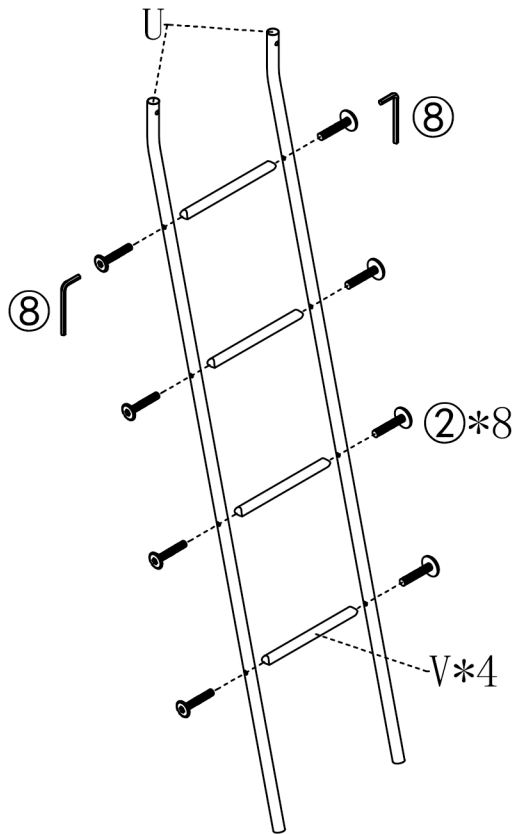
STEP 14:



HARDWARE REQUIRED

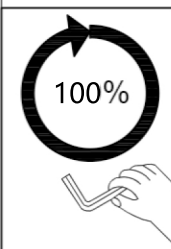
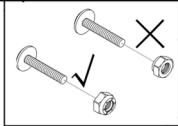
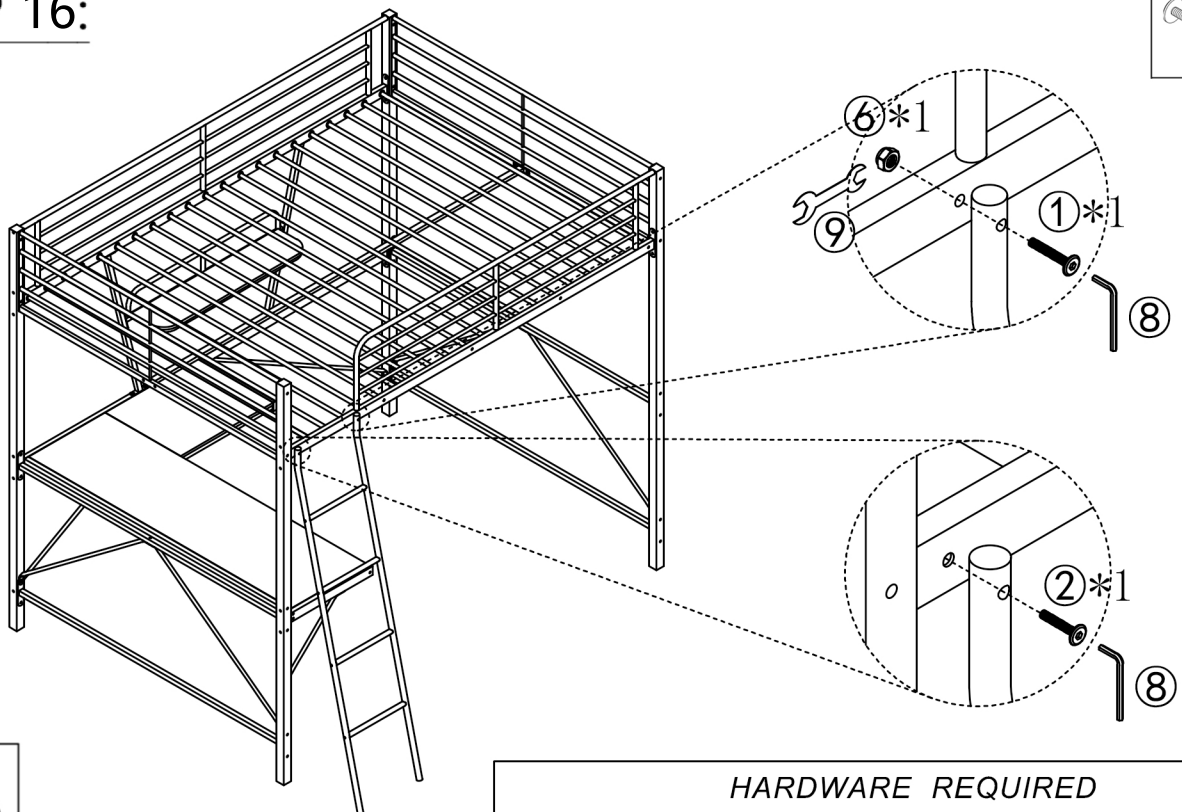
④*14 ⑧*1

STEP 15:



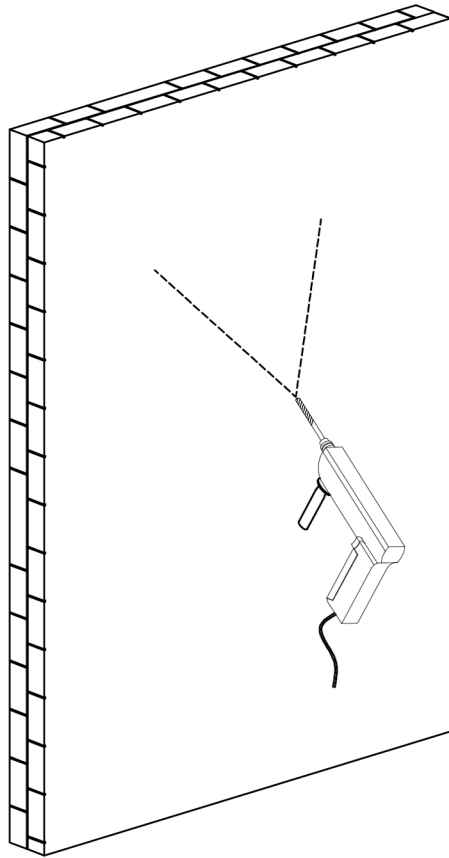
HARDWARE REQUIRED

STEP 16:





HARDWARE REQUIRED

STEP 17:



STEP 18:

⑪	⑩
	
4PCS	2PCS

