

15 : 00

estimated
assembly time



2 or more

people required

Ok, let's
get started!



- Put on mood music!
- To prevent damage to product, use the clean side of package carton or rug as working surface.
- In the event of missing or damaged parts, delivery problems etc., please reach out to our team. We will be happy to fix the problem!

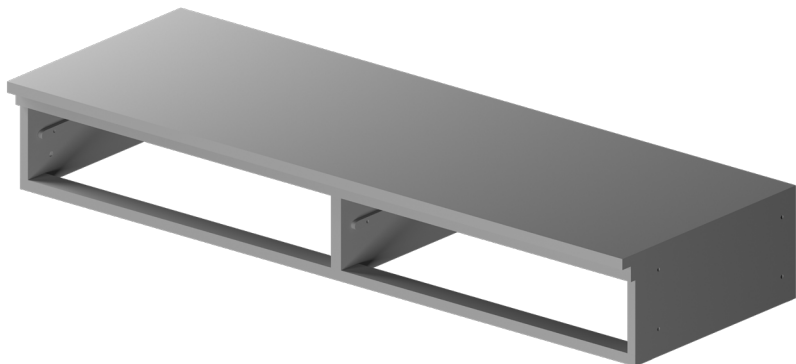
care guide

- Clean regularly with a soft and dry cloth.
- To protect finish, avoid use of abrasive cleaners.
- Wipe up spills immediately. Please!

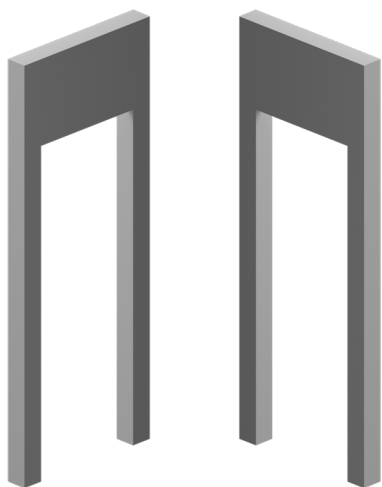
ⓘ **While assembling the product, tighten the bolts up to 50%. Once all parts are in place, only then fully tighten the bolts.**



product parts

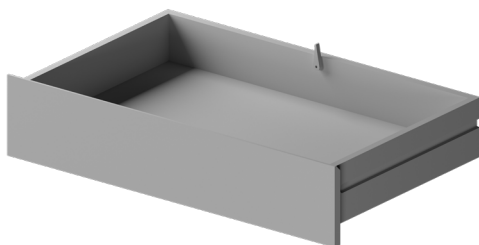


A
Tabletop
x1



B1
Table Legs
x1

B2
Table Legs
x1

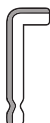


C
Drawers
x2

what's included



(D) - Bolt
(8 x 50mm)
x8



(E) - Allen Key
x1



(F) - Flat Washer
(22 x 8.5mm)
x8



(G) - Lock Washer
(8.5mm)
x8

assembly instructions

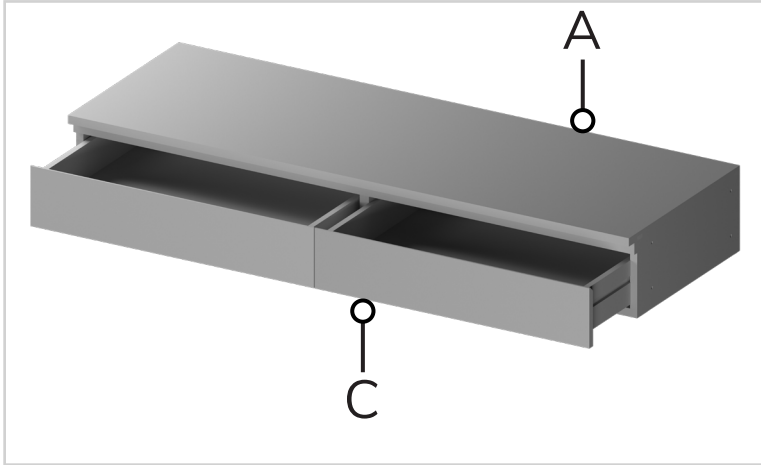
Friendly Tip: Take a deep breath going in. This may be a tricky part, but nothing too overwhelming. Just follow these steps to the T and the outcome will be worth it!



- ⓘ While assembling the product, tighten the bolts up to 50%. Once all parts are in place, only then fully tighten the bolts.

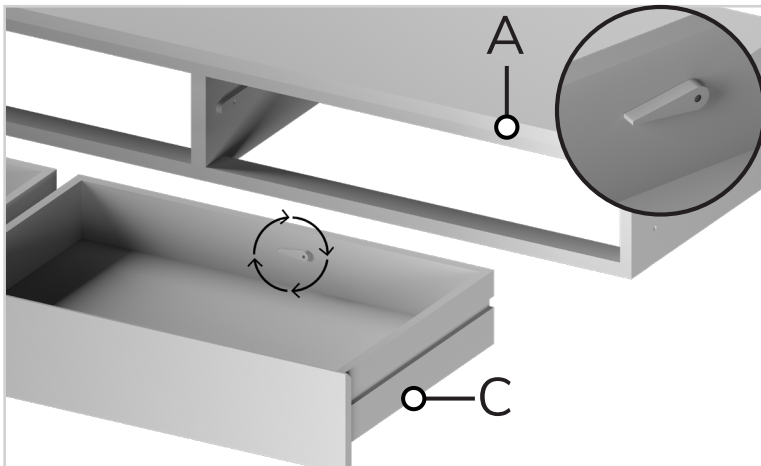
step 1:

Start by placing the table top (A) on a flat surface and removing the drawers (C) from it.



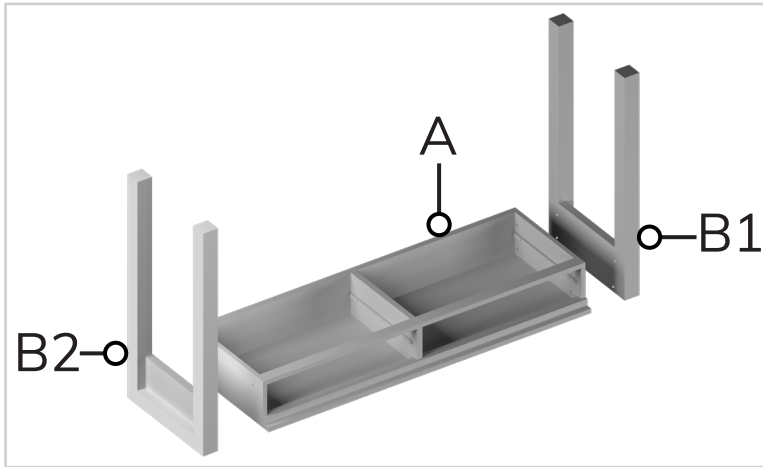
step 2:

To remove the drawers (C), rotate the stopper sideways and pull out the drawers (C). Take the image below as reference.



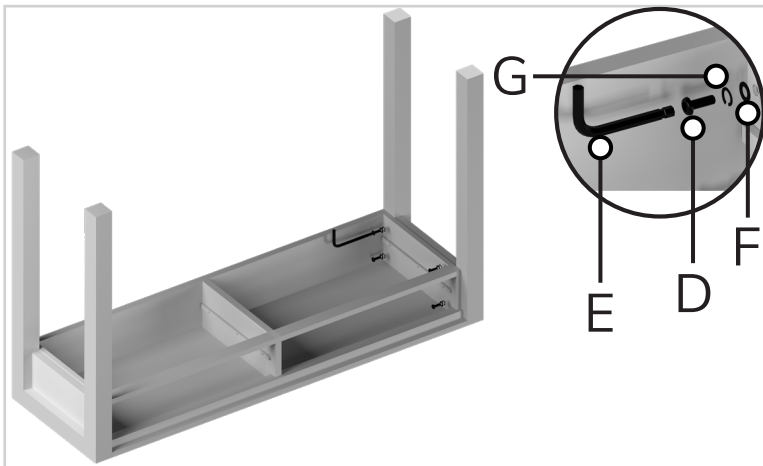
step 3:

Now, place the tabletop (A) upside down and align the holes on the top with the holes on the table legs (B1) & (B2).



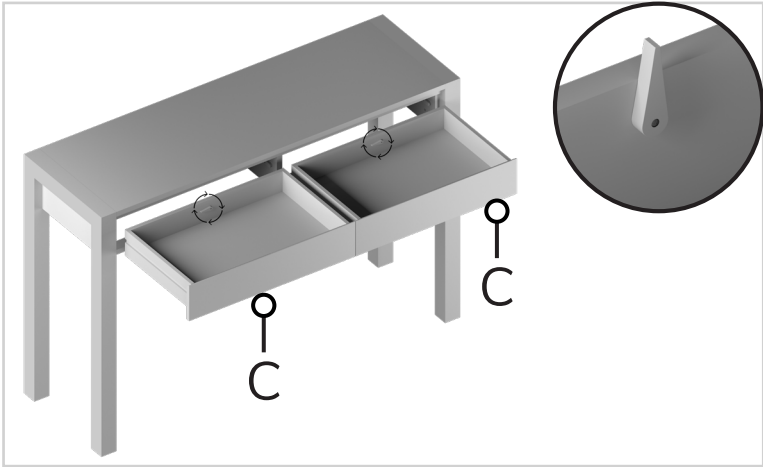
step 4:

Using this image as reference, secure the table legs (B1, B2) using bolts (D), lock washer (G), and flat washer (F). Tighten all points with allen-key (E).



step 5:

Simple enough? Next, turn the table back and add the drawers (C). Insert the drawers and fix it in place by rotating the stopper upwards as shown in the image.



step 6:

Now, if required, adjust the leveller according to the floor.

