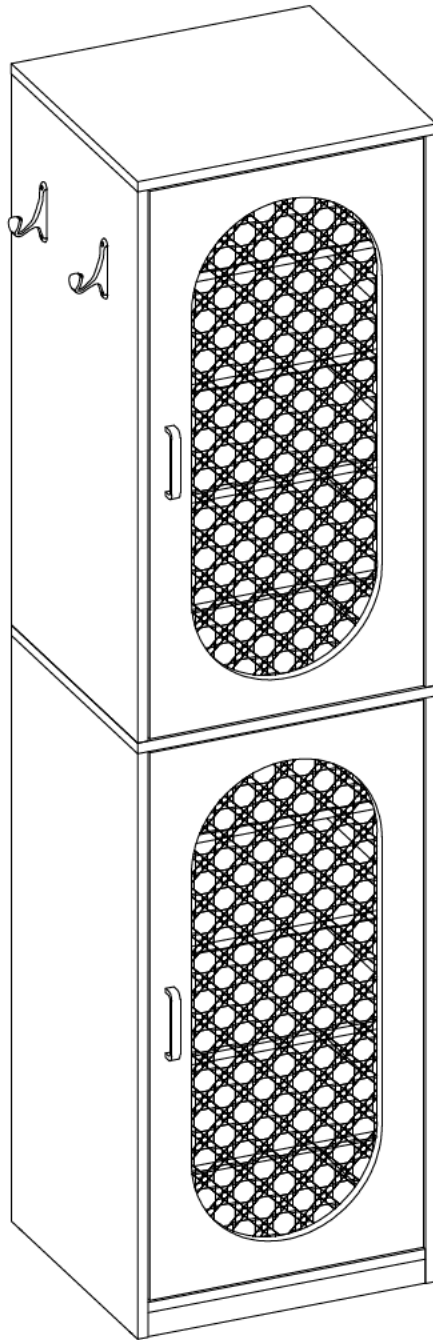


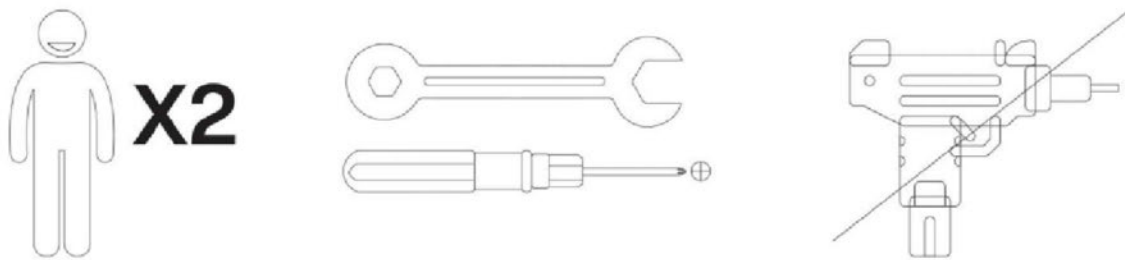
# Assembly Instructions



Shoe Cabinet

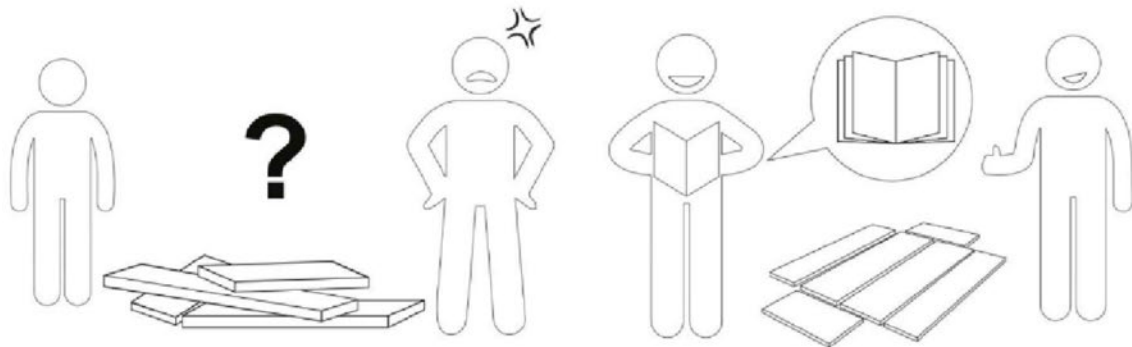
## Warm Tips

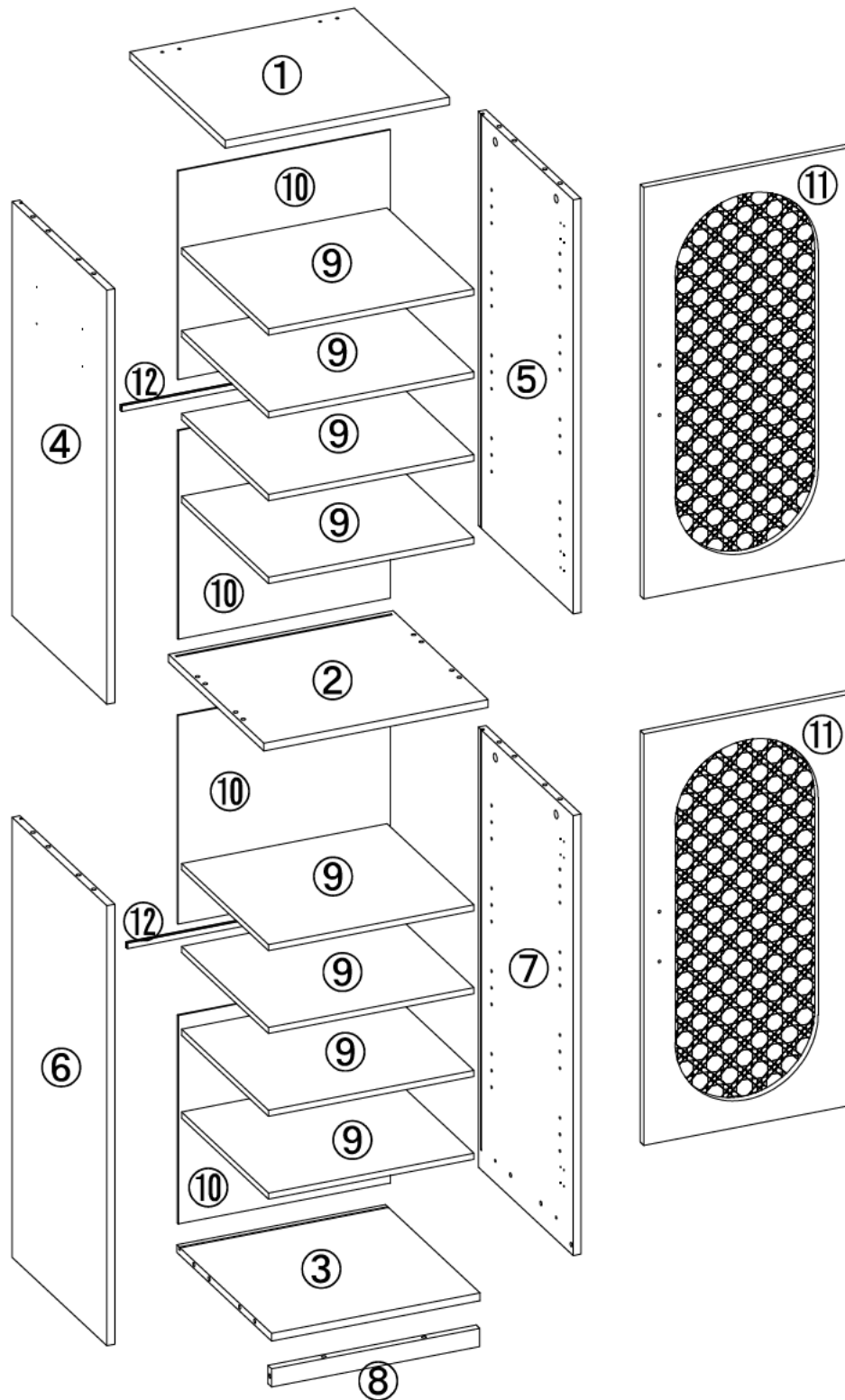
1. Carefully read these instructions and keep them for future reference.
2. Check the parts list and confirm everything's there before starting assembly.
3. When assembling, put all parts on a soft, smooth surface like a carpet to avoid scratches.
4. Don't fully tighten screws until all parts are confirmed in place to avoid misalignment.



We recommend using hand tools for assembly.

If an electric screwdriver is used, reduce power and torque to avoid damage to the product.

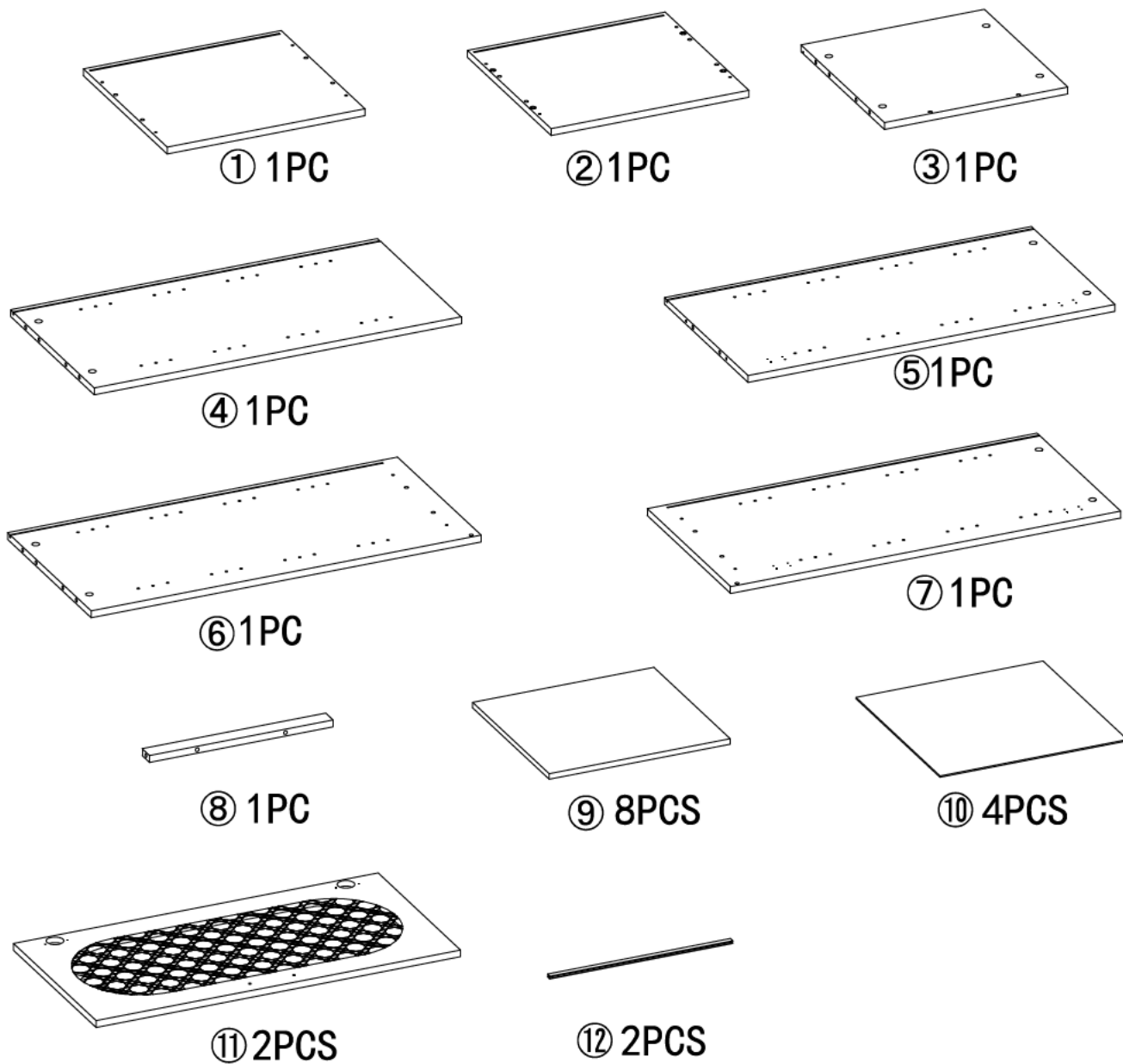




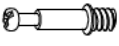

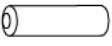
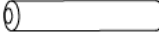
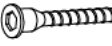












**⚠ Caution**

Make sure all parts are included. Most board parts are labeled or stamped on the raw edge.

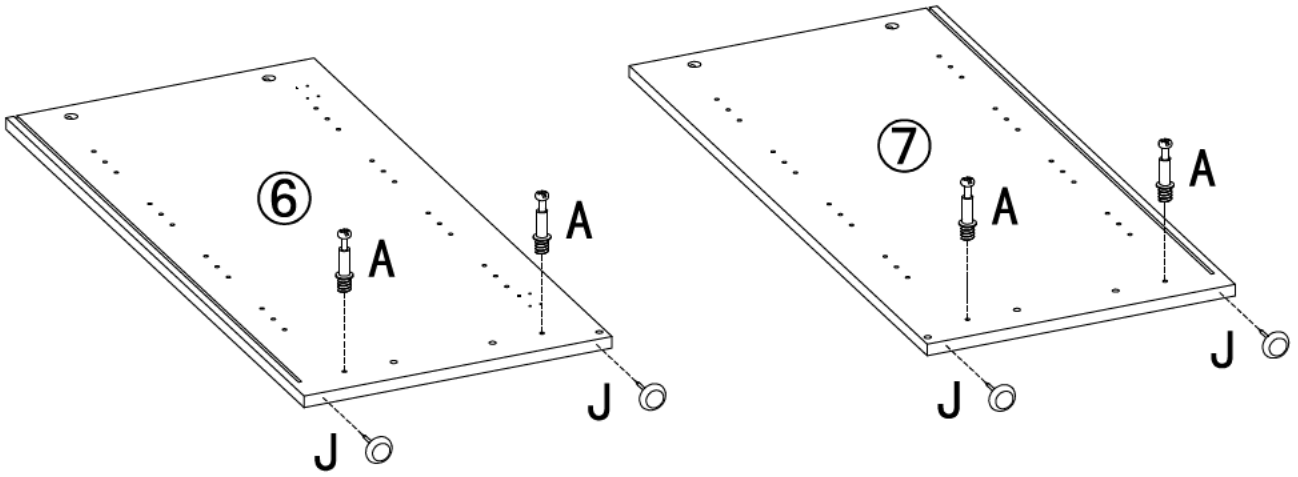
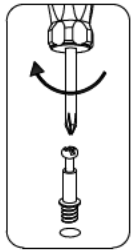
# Parts List



# Hardware List

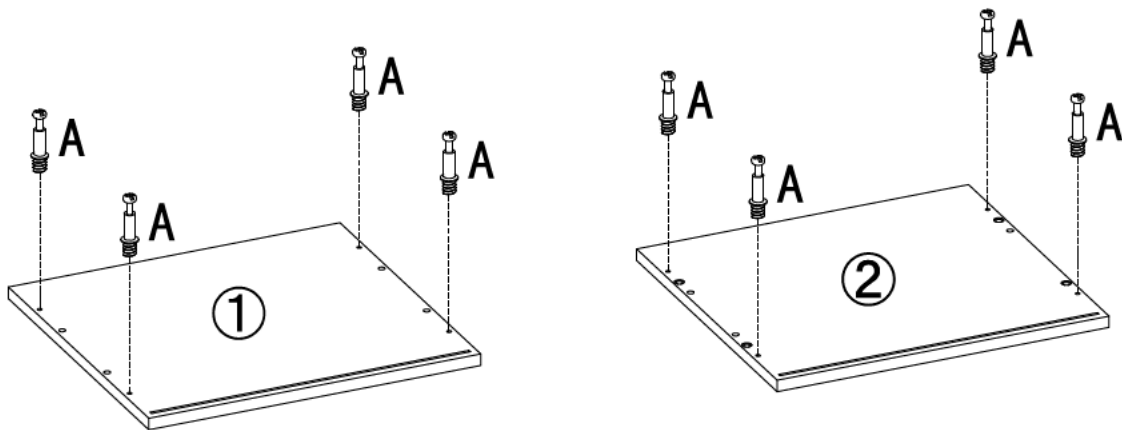
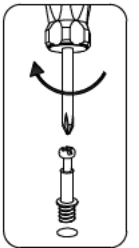
A	x12+1	B	x12+1	C	x12+1	D	x4	E	x4	F	x60+2	G	x4
													
M6x35mm		φ15x12mm		φ8x30mm		φ8x50mm		M7x40mm		M3.5x14mm			
H	x24+2	I	x4	J	x4	K	x2	L	x4	M	x32+2	N	x12+1
													
M4x30mm								M4x18mm				φ20mm	
O	x4	P	x4	Q	x2								
													
M4x30mm				M4									

1



A	x4	J	x4
 M6x35mm			

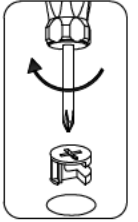
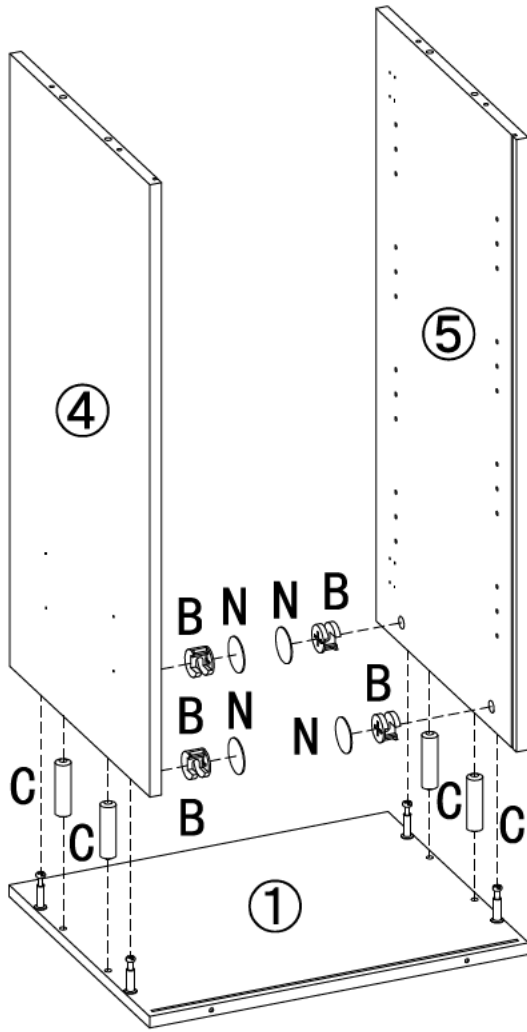
2






A	x8
 M6x35mm	

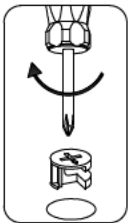
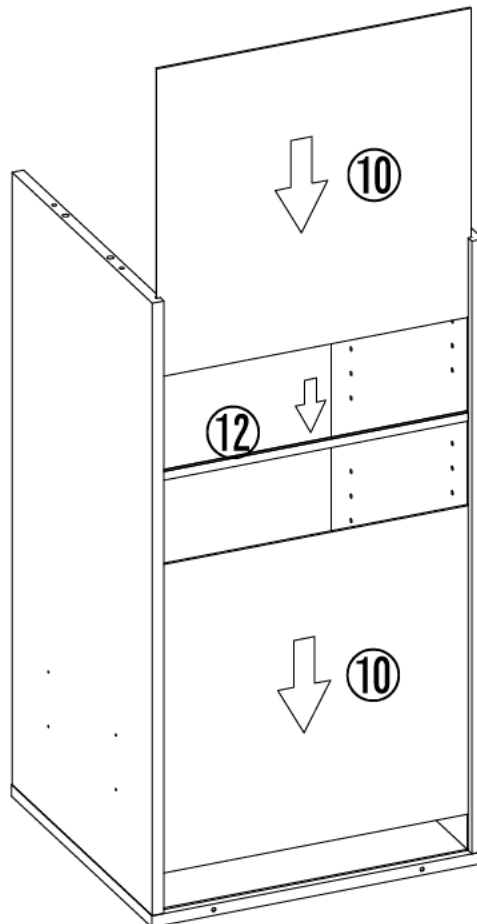
P-04

3

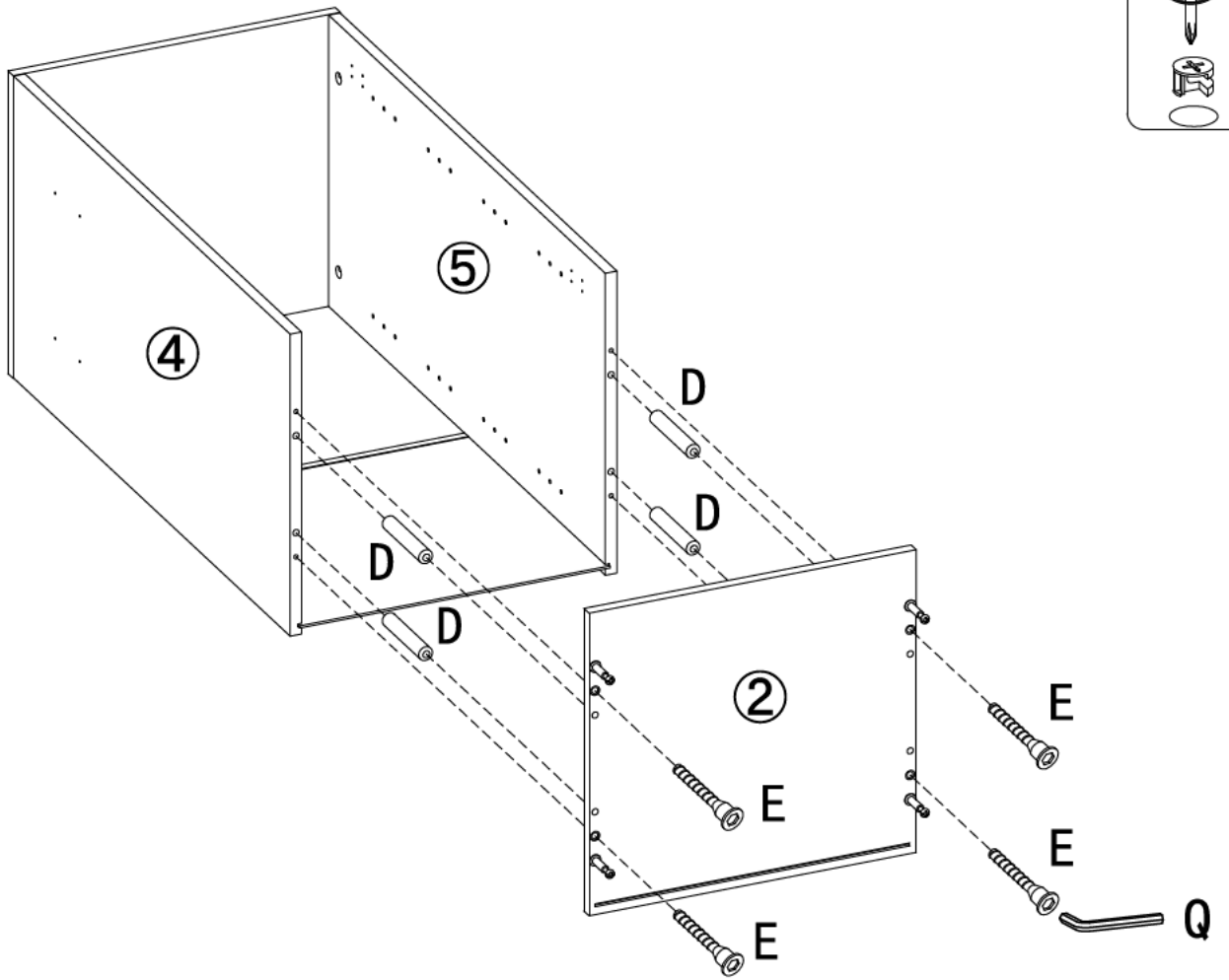
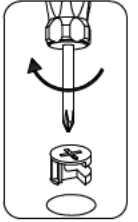





B	x4	C	x4	N	x4
					
φ15x12mm		φ8x30mm		φ20mm	

4

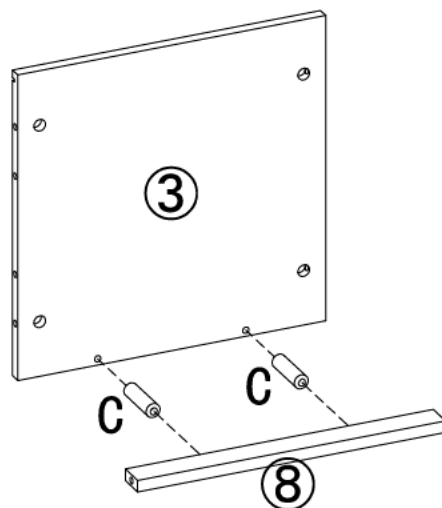


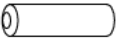
5



D	x4	E	x4	Q	x1
					
φ8x50mm		M7x40mm		M4	

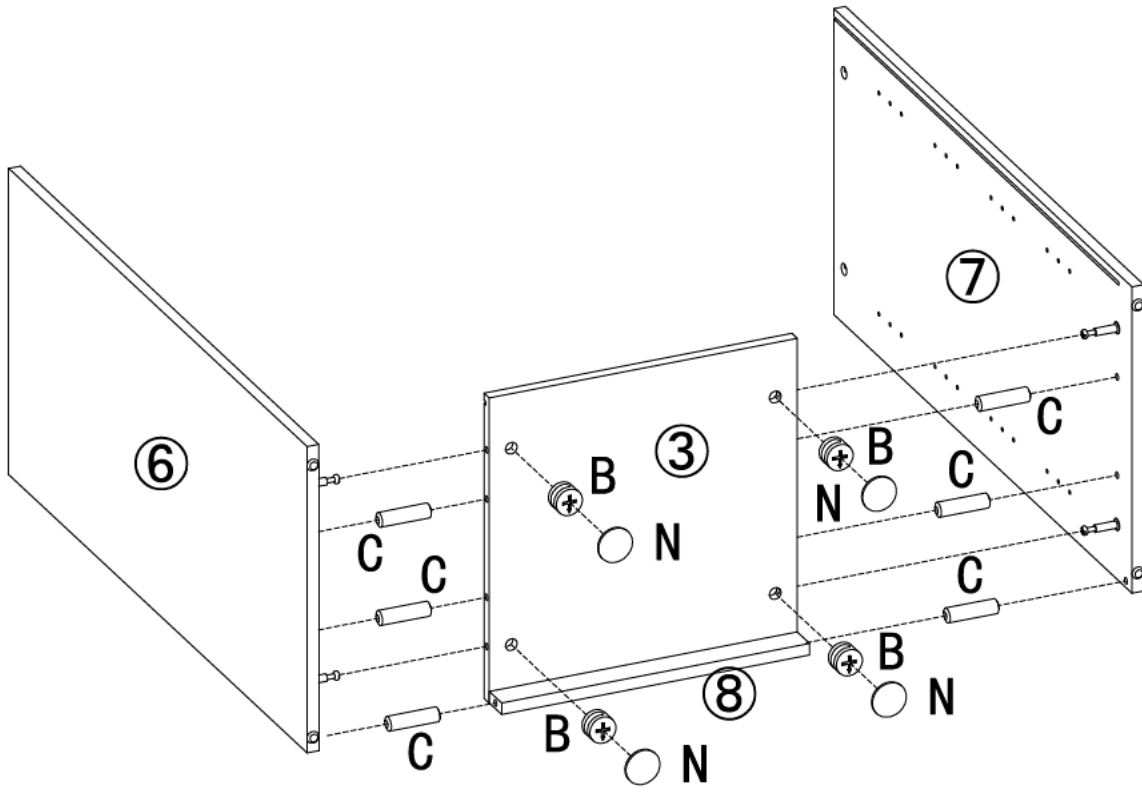
6






C	x2
	
φ8x30mm	

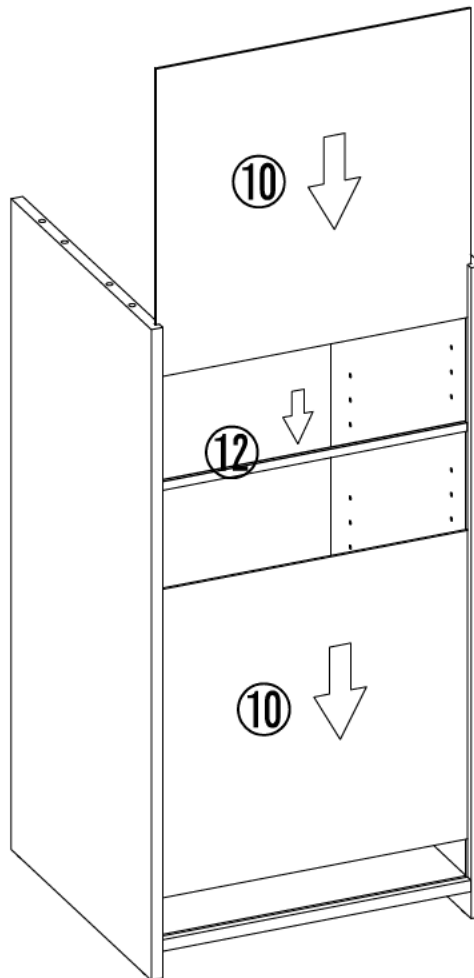
P-06

7

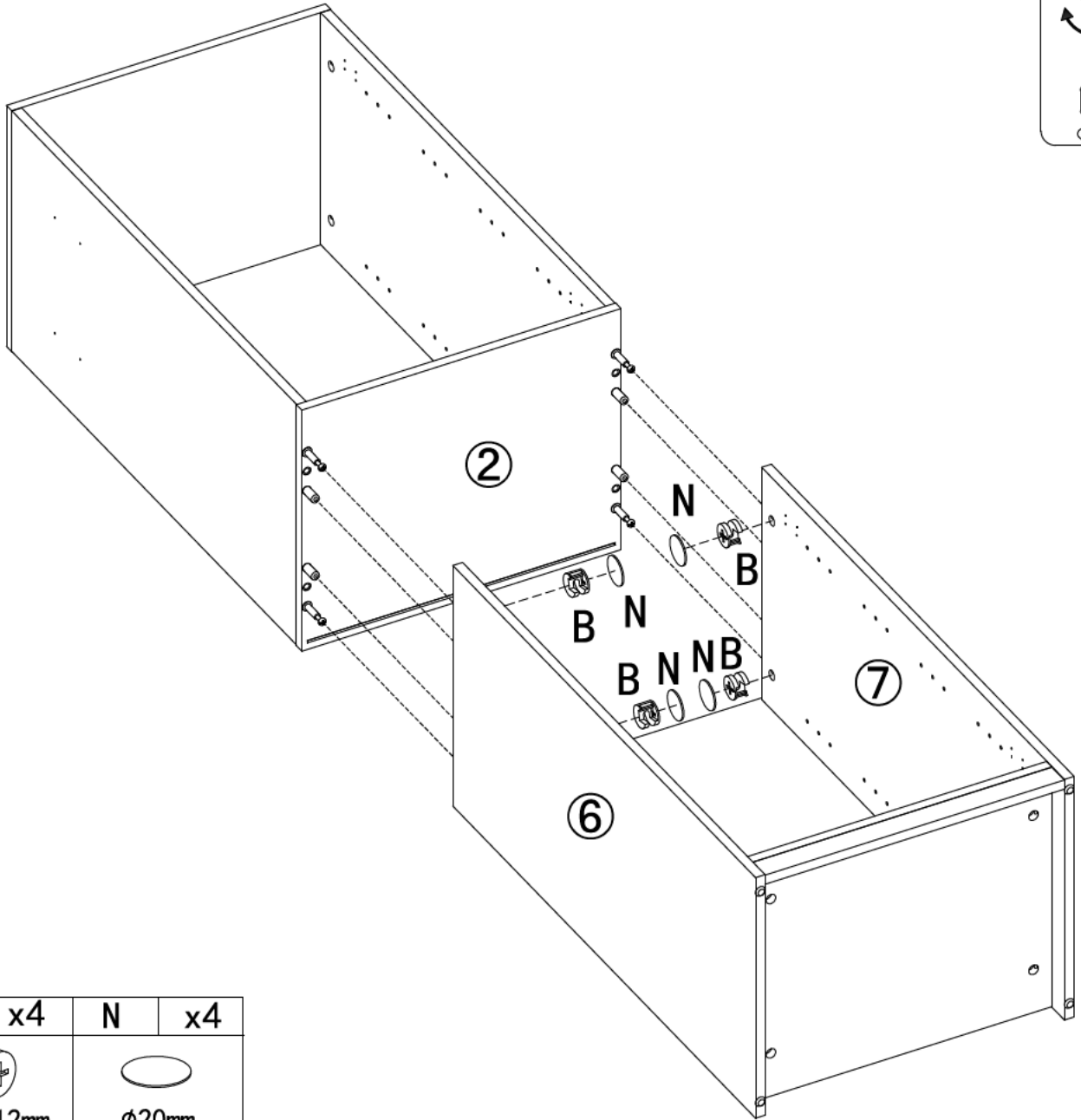
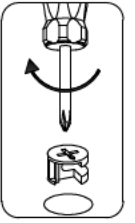




B	x4	C	x6	N	x4
					
φ15x12mm		φ8x30mm		φ20mm	

8

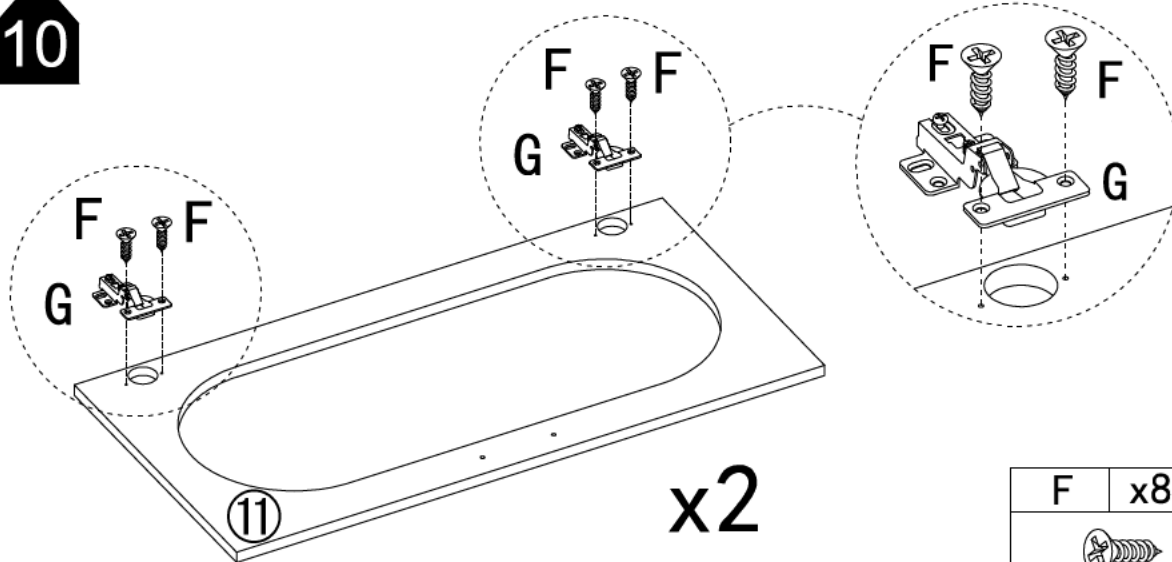
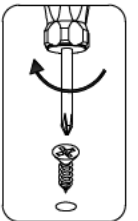



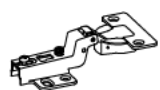
9



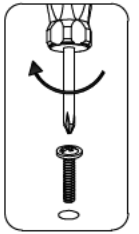
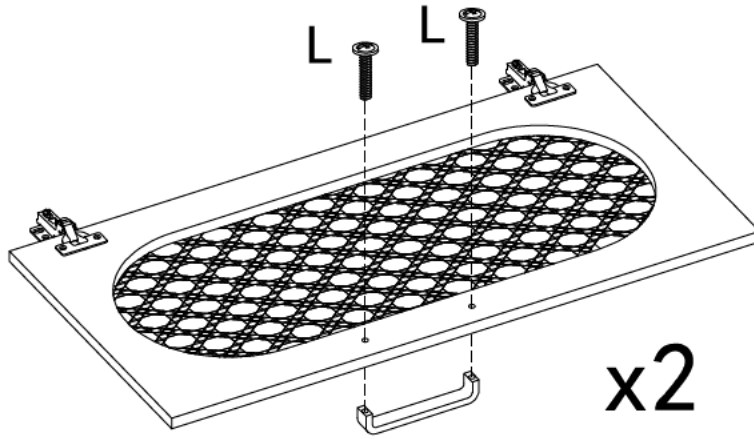
B	x4	N	x4
			
ø15x12mm		ø20mm	



10



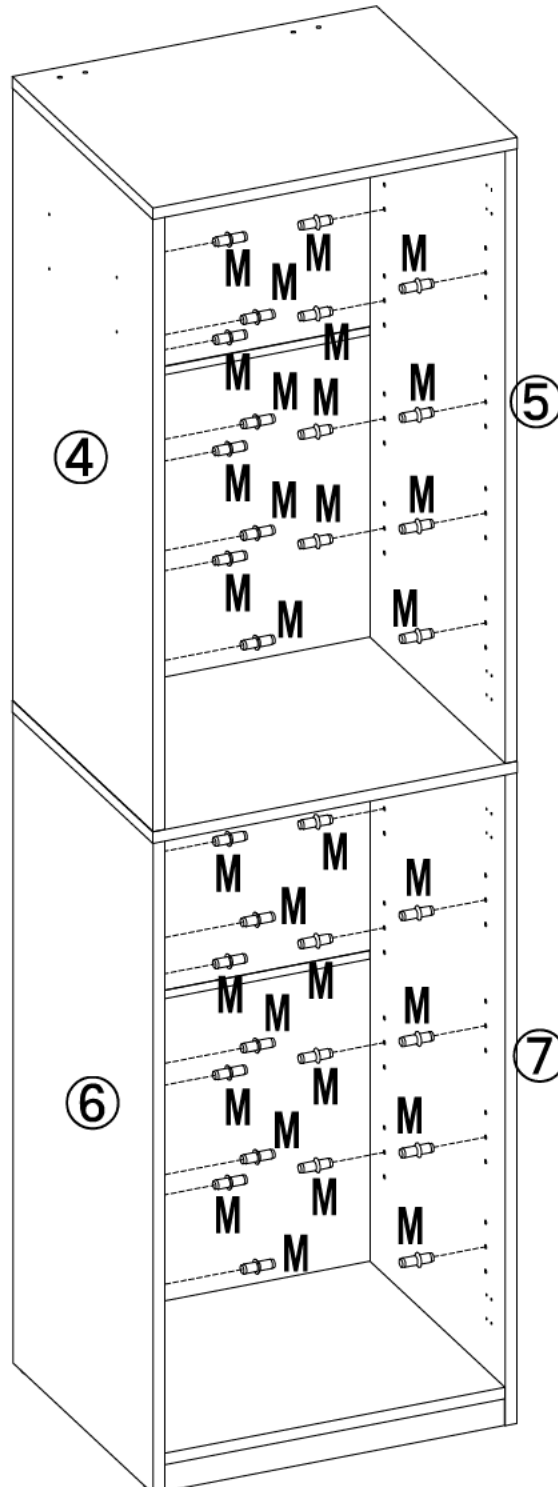
F	x8	G	x4
			
M3.5x14mm			

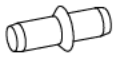
11



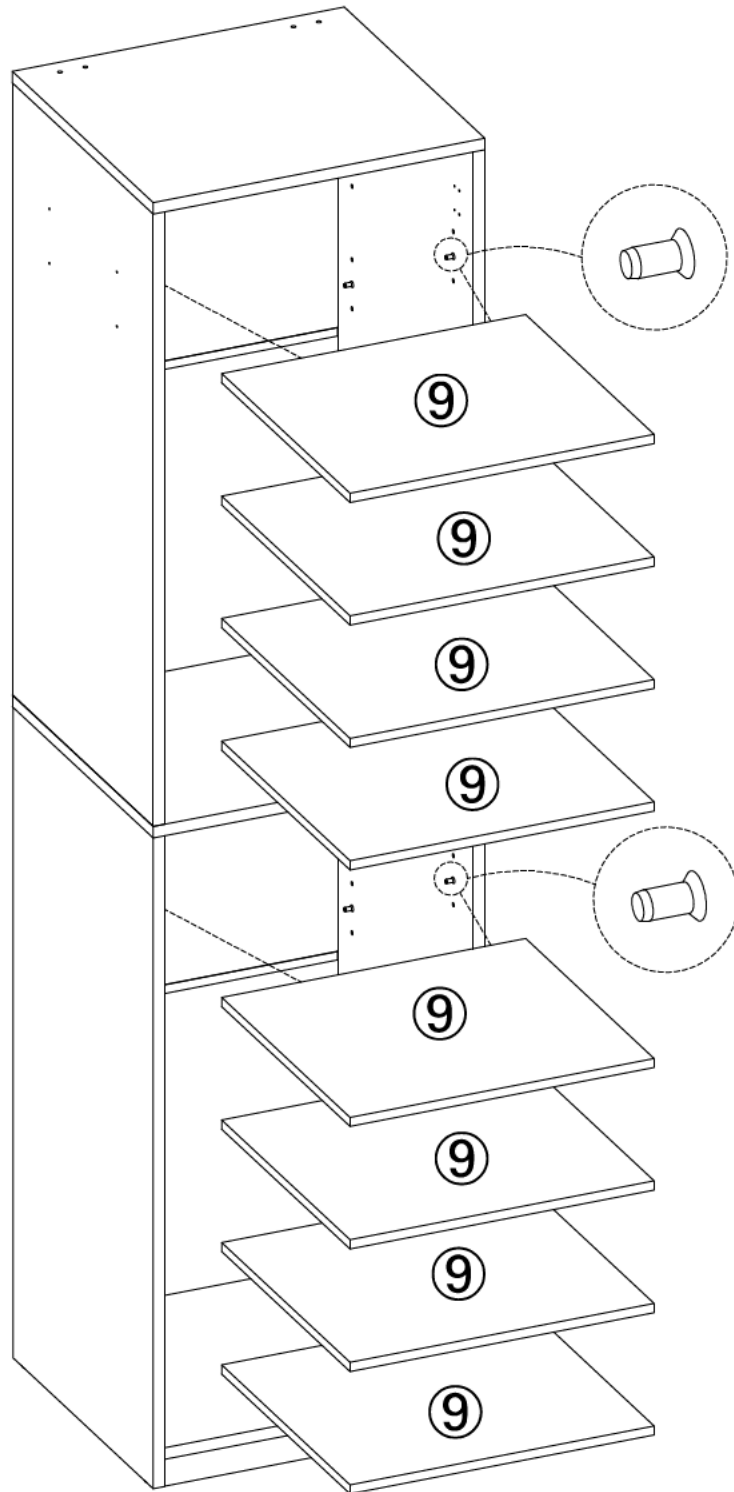
K	x2	L	x4
			
		M4x18mm	

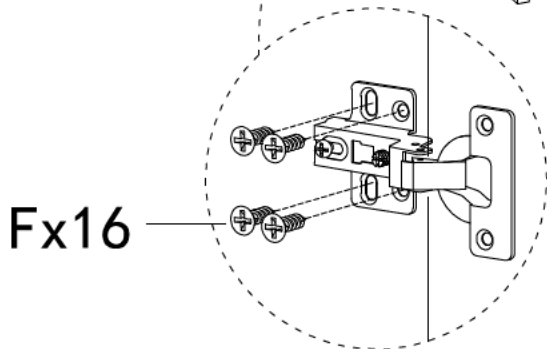
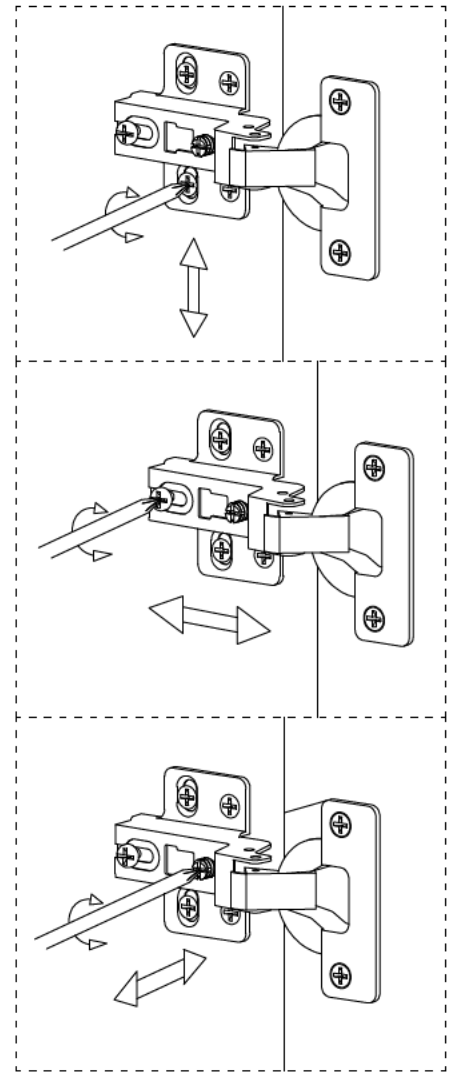
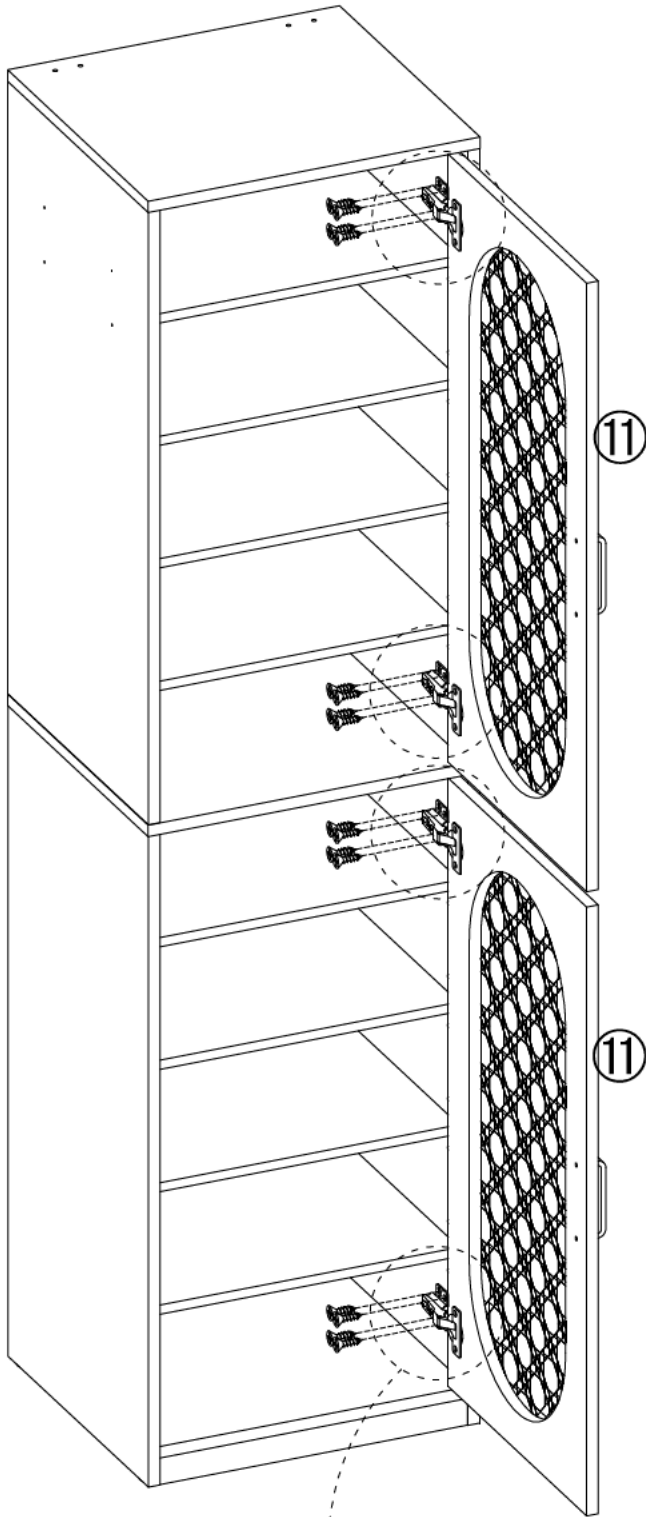
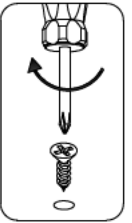
12




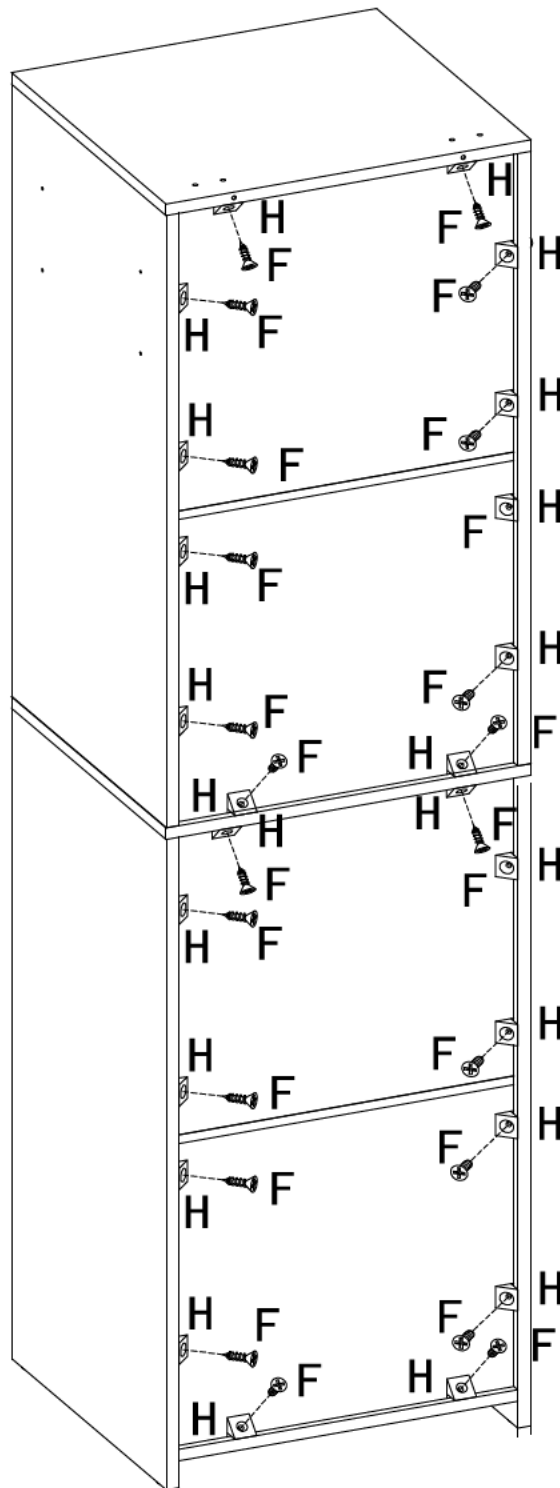
M	x32
	



P-09

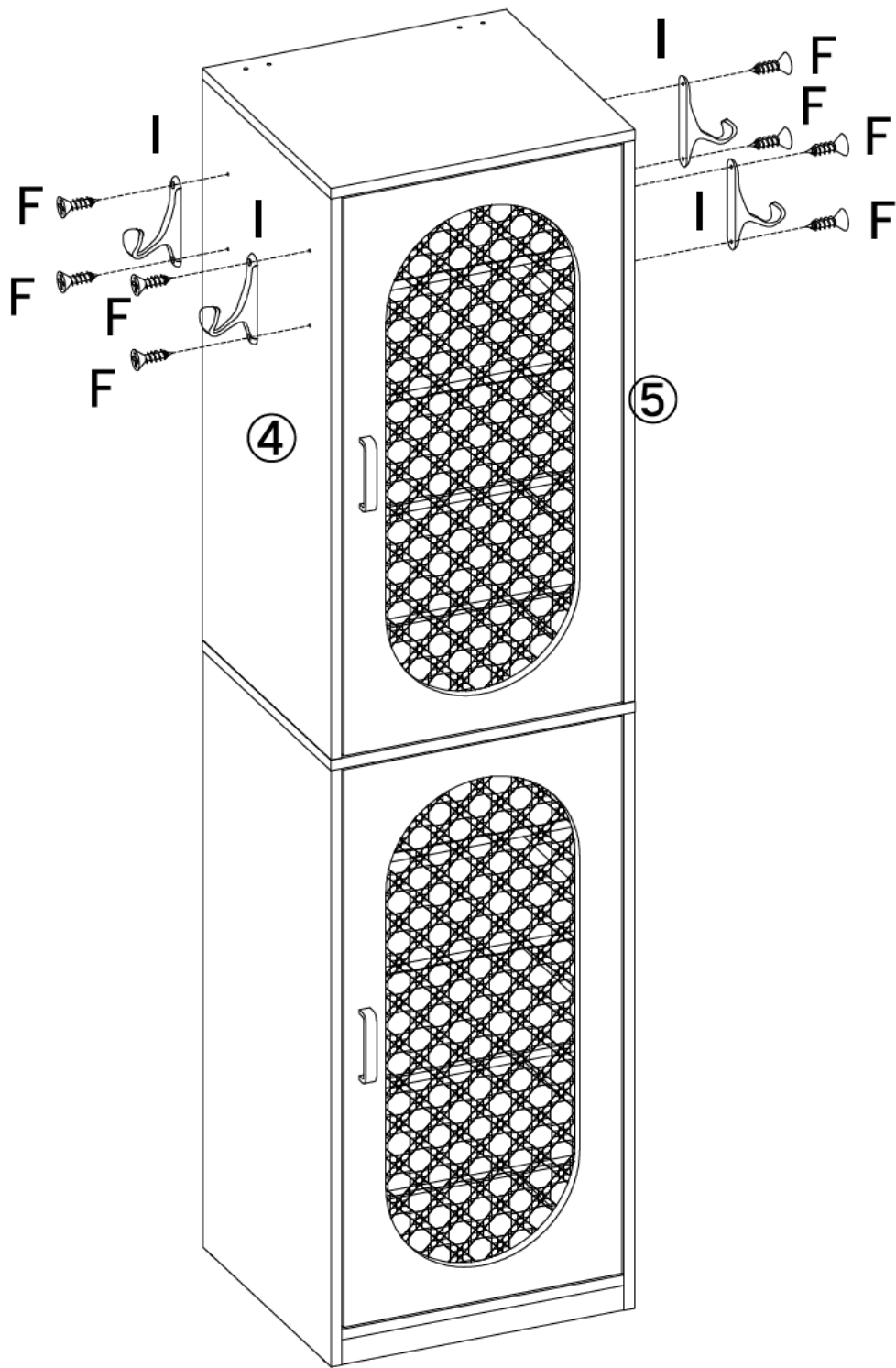
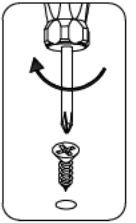






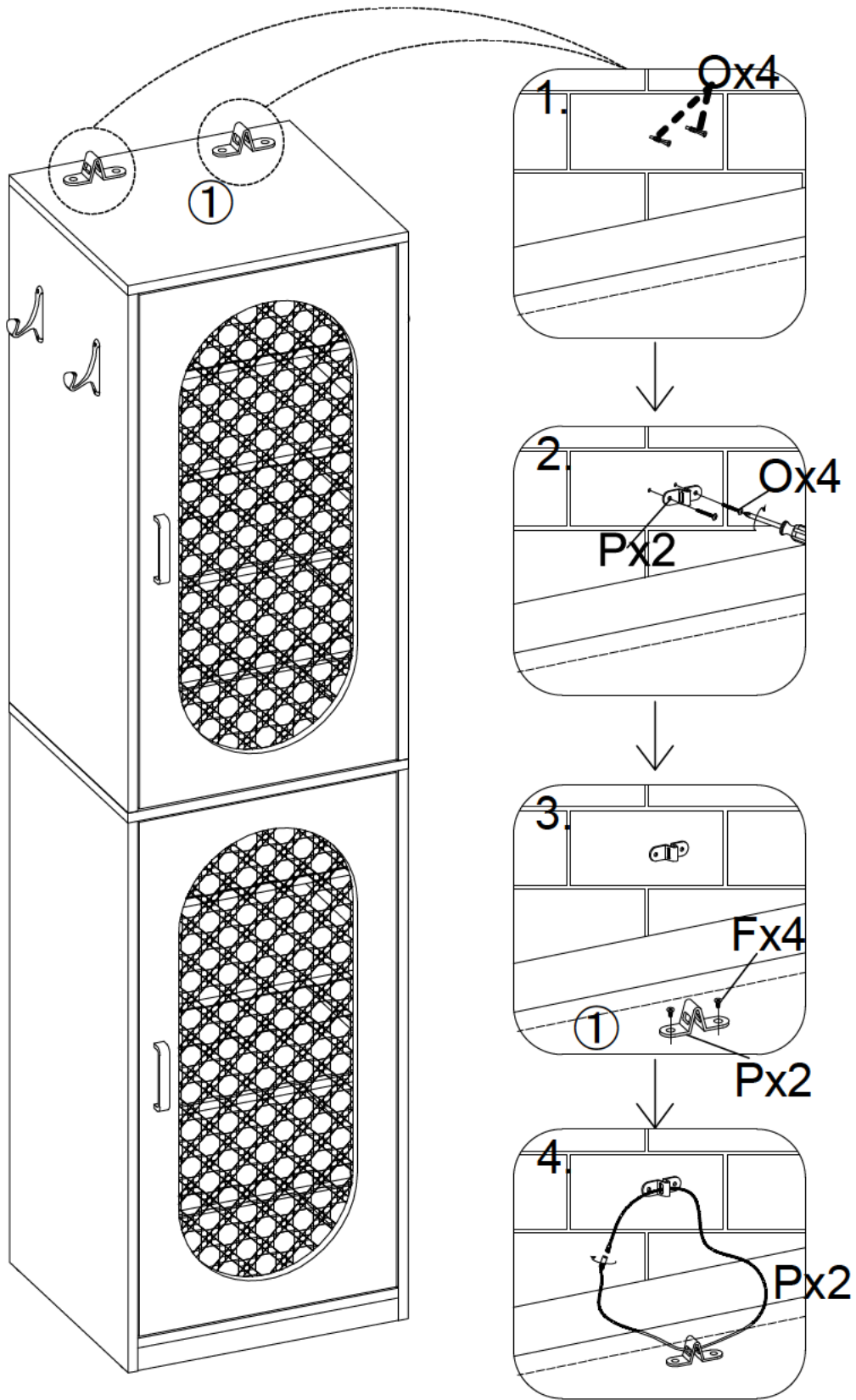
F	x16
	
M3. 5x14mm	






F	x24	H	x24
			
M3. 5x14mm			



F	x8	I	x4
 M3. 5x14mm			



F	x4	O	x4	P	x4
					
M3. 5x14mm		M4x30mm			