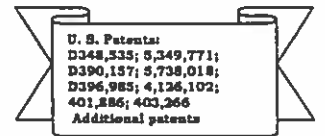


**IMPORTANT INSTRUCTIONS!!! Please READ CAREFULLY Before Installing**

# **HEXAROUND AQUATOWER®**



This aquarium is shipped complete in two (2) cartons. Although both cartons were shipped at the same time, they occasionally become separated in transit. If you receive only one (1) carton, please allow two (2) additional business days prior to tracing the other carton. Please check to be sure that you have received all of the following items:

**Box #1** contains:

- Header Unit with Header Cap
- Base Unit with Outside Power Filter
- Plant Decorations
- Extension Cord
- Air Pump
- Heater (optional)

**Box #2** contains:

Tank section and Undergravel Filter Plate assembly:  
Lift Tube, air stone, thin tube, elbow, elbow cap,  
airline tubing and plate

If you are missing a part, if product is not operating correctly, if you have questions as to the set-up and operation of this product – DO NOT RETURN IT TO THE PLACE OF PURCHASE. Contact Midwest Tropical Inc. directly, who will be pleased to assist you promptly.

### **Hexaround Tower assembly instructions**

- 1 Unpack all equipment and review with diagram (provided)
- 2 Set Base unit in desired location with notch and seam towards the back. Base unit must have plexiglass supports at the top.
- 3 Run the extension cord through hole located in the top bracket (higher than the support shelf) in Header unit as per illustration. Plug receptacle will remain at top of support bracket. Place Header unit temporarily alongside of Base unit. Run cord inside Base unit and through notch at bottom of base. Make sure the cord is loose and can be pulled freely through the notch.
- 4 Undergravel filter system consists of filter plate, long thick lift tube, thin tube with airline and attached air stone. Remove tape which attached the filter to the aide of aquarium so it does not shift in original shipment. Remove plastic bag from plate and discard bag. Attach flexible

airline from the lift tube to the air pump which is to sit on the shelf in the header. Position filter plate assembly so the tube is at the same side as the seam (left of seam) of aquarium and the elbow is facing towards the center of the aquarium. To attach airline tubing to air pump, see item #10.

- 5 Place Tank into Base unit, making sure to align the seams of both the Base unit and the Tank section. Rest the Tank evenly on the supports within the Base unit. Check that your extension cord is still able to be pulled freely through the notch.
- 6 You will need approximately 20 lbs. of aquarium gravel for your HT-2 tank or 25 lbs. for your HT-1, which may be purchased at your local pet supply shop. We recommend using an epoxy coated quartz gravel, which comes in a wide variety of colors to match your desired look. This type of gravel has less dirt and dust than conventional gravel, which will make setting up the tank that much easier. Please note: Gravel is not included.
- 7 Open and rinse the Gravel. Rinsing will remove any dust and foreign particles from the gravel. Pour the gravel gently into the aquarium, making sure to cover the plate filter, to a depth of about 2 inches.
- 8 Select the correct water temperature.  
For goldfish, use slightly cool tap water (60-70 degrees)  
For tropicals, use room temperature tap water  
(72-78 degrees)

Fill the aquarium with water to two-thirds full. You may now decorate your aquarium with the plants provided.

Please note: Plants snap together at various levels, allowing you to extend or shorten their length to your personal tastes. Attach Plant Weights to the plant base to aid in their settling to the bottom of the tank, after plants have been assembled and arranged within your aquarium, complete filling your tank to two (2) inches from the top.

- 9 Assemble Outside Power Filter and install per manufacturer's instructions (see diagram) using equipment provided. Hang filter outside of aquarium onto side to the left of seam. Do not plug in until item #11.

This filter unit must be directly plugged into a wall outlet. Run the cord downwards, outside the aquarium to a wall outlet according to manufacturer's directions.

Finish filling the aquarium with tap water.

- 10 To assemble Header Unit and Header Cap, place air pump on shelf and plug into extension cord.

Install light bulb (not included) into socket and plug line cord into extension cord outlet. Use a standard light bulb up to 50 watts (max).

### Hexaround Tower Timepiece

Assemble the Header Unit. Your Hexaround Tower Timepiece is equipped with a battery movement, which uses one AA battery (included). Located inside the Header Unit you will find a slot to insert the battery. Directly above this slot, you will find the inset Time Adjustment Knob, to correctly set the time. On the front side of the Header, you

should find the Hour and Minute Hands already in place. If these have come lose during shipment, lightly push them in near the center nut until they lock into place.

Place Header Unit on top of the tank section, aligning the seam and making sure the extension cord is running straight downwards from the receptacle fitting above extension cord bracket inside Header, outside of aquarium section, inside pedestal base and plug through notch to outside of aquarium.

The Header has a special cut-out notch which fits over the outside filter. The Outside Filter cord must run directly downwards to an outlet. If you are installing an optional Heater, you will find a lower bracket (mounted inside the Header Unit) which has been provided for the installation of a standard aquarium heater (please see diagram). For information on the installation of your particular heater, please consult the manufacturer's instructions. Once the heater is installed, collect and place the excess electrical cord on the support shelf inside the Header Unit to prevent the cord from falling into the water and plug into extension cord.

Attach other end of airline tubing connected to filter plate (see item #4) to air pump running it upwards through the opening at the rear of the shelf and connect tubing tight to the air pump fitting.

- 11 Plug in your extension cord and outside filter. Test your equipment. Light switch is located on side of Header (turn for on/off). Your air pump is pushing air through the undergravel filter plate and you should see bubbles rising from the air stone in the undergravel filter plate assembly

tube. Your heater (optional) should be working. Adjust temperature per manufacturer's instructions. Your outside power filter is drawing water through the intake stem filtering through the charcoal and foam inset and filtered water is then returning into your aquarium.

Place the Header Cap (matching seams) after you have removed brown paper on top of your Header.

Make sure you Outside Power Filter and Undergravel Filter are running at all times. Replace foam inserts and carbon as necessary.

Avoid overfeeding your fish. Feed them only once every day or two and give them only enough food as can be readily consumed.

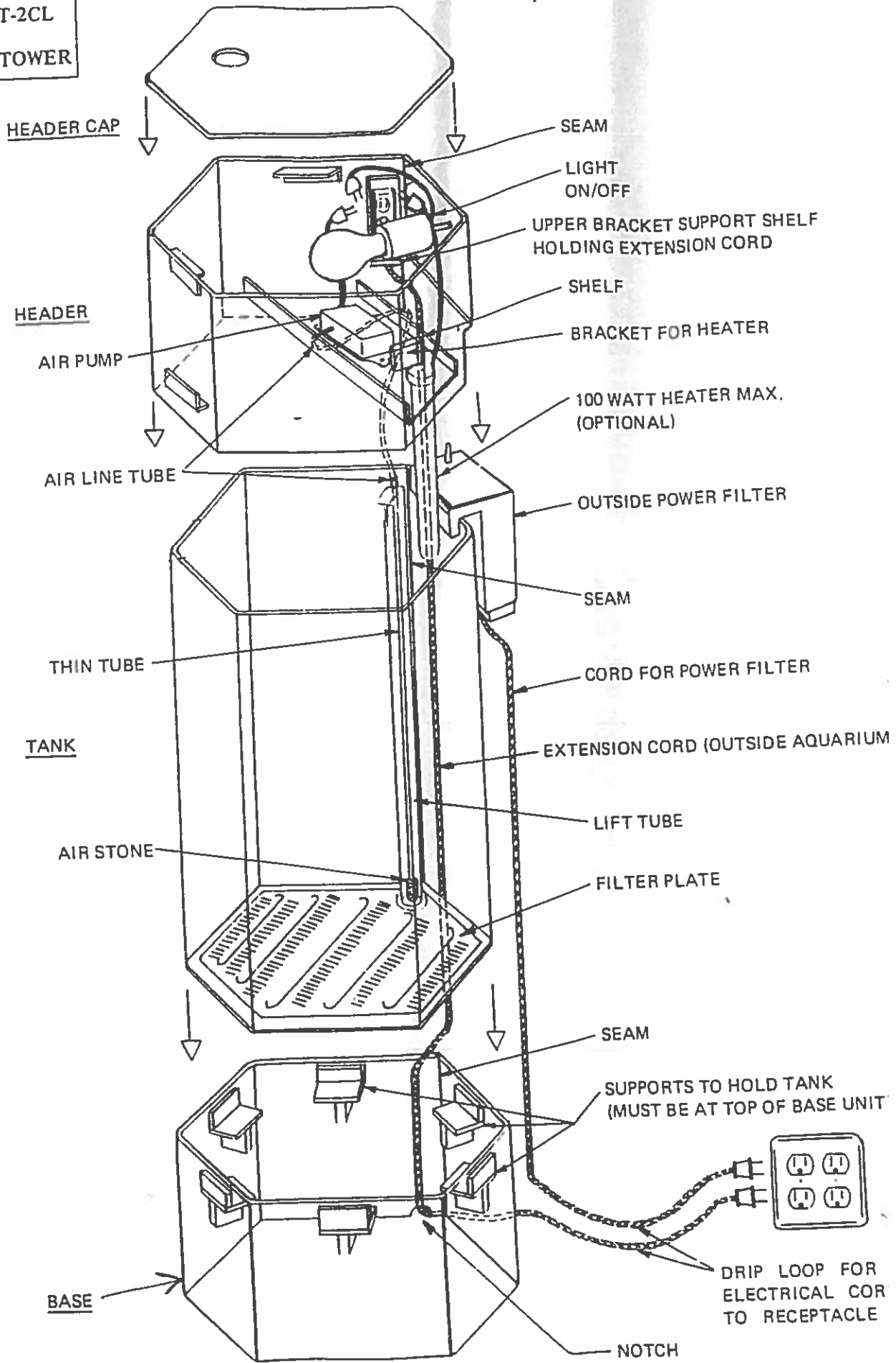
To clean the outside of your aquarium, use a soft cloth. Abrasive materials will scratch the acrylic finish. NEVER spray window cleaner near the top of your aquarium since ammonia is TOXIC to fish. To clean the outside acrylic, use a plastic polish or cleaner.

The Power Filter must run at all times, except when servicing the aquarium. The light should not be allowed on for more than eight (8) hours per day. ALWAYS UNPLUG POWER ON YOUR AQUARIUM BEFORE SERVICING!!! Always disconnect any cords prior to lifting the header!!

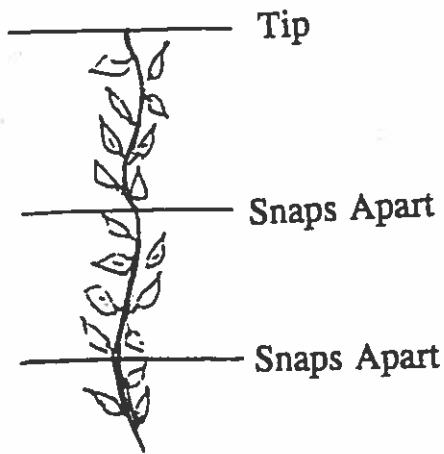
We hope you enjoy many years of pleasure with your

***HEXAROUND TOWER AQUARIUM***

HT-1, HT-2, HT-2CL  
2 MWT  
HEXAROUND TOWER



Add plant sections  
to create the length  
of your choice.



... Note: Tips of plants snap off. You may add longer lengths to make a taller plant.

## IMPORTANT SAFETY INSTRUCTIONS

To avoid the possibility of the appliance plug or receptacle getting wet, position aquarium stand and tank to one side of a wall mounted receptacle to prevent water from dripping onto the receptacle or plug. A "drip loop" should be arranged by the user for each cord connecting an aquarium appliance to a receptacle. The "drip loop" is that part of the cord below the level of the receptacle or the connector if an extension cord is used, to prevent water traveling along the cord and coming in contact with the receptacle.

If the plug or receptacle does get wet, **DON'T** unplug the cord. Disconnect the fuse or circuit breaker that supplies power to the appliance. Then unplug and examine for presence of water in the receptacle.

## HELPFUL HINTS ON MAINTAINING YOUR HEXAROUND TOWER AQUARIUM

Your aquarium is a complete ecological system, one which requires care at periodic intervals.

Place your aquarium away from direct sunlight, as sunlight accelerates the growth of algae. If you do place your HEXAROUND TOWER in direct sun, you will need to clean it more frequently. Your Aqua Block will aid in keeping the aquarium cleaner longer, so replace it when necessary. Your Cleaning Magnets will clean any film off the plexiglass from the outside. By placing one magnet inside the tank and keeping one magnet outside, you can wipe down the entire tank quickly and easily.

To conceal the bases of the decorative plants, you may use a long stick (yardstick or pole) to gently push the plant bases one inch into the gravel. To clean your plants, they can be removed and rinsed under clean water.

If you have installed a heater in your aquarium, please read the manufacturer's instructions for directions on installing the unit.

Heater **MUST** Be Unplugged for A Minimum of Five (5) Minutes and Allowed to Cool Down **PRIOR** To Its Removal From the Water. This will prevent the glass tube from cracking.

You should periodically replace approximately 20% of your water every two months with room temperature tap water to aid in more rapid fish growth.