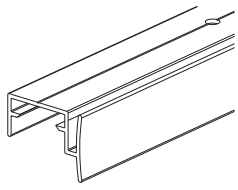


Installation Manual

MBD-24AL

Any question please contact us:
support@jubest.com

WHAT IS IN THE BOX



x 2
Track
rail



x 1
Folding door



A

x 1
Top spring
pivot pin



B

x 2
Guide pin roller



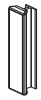
C1

x 2
Bushing

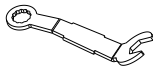


C2

x 1
Bottom threaded
pivot pin



x 1
Pull



x 1
Wrench



x 1
Allen key



D1

x 2
Tension clip



D2

x 2
Spring



E

x 2
Pivot block clamp

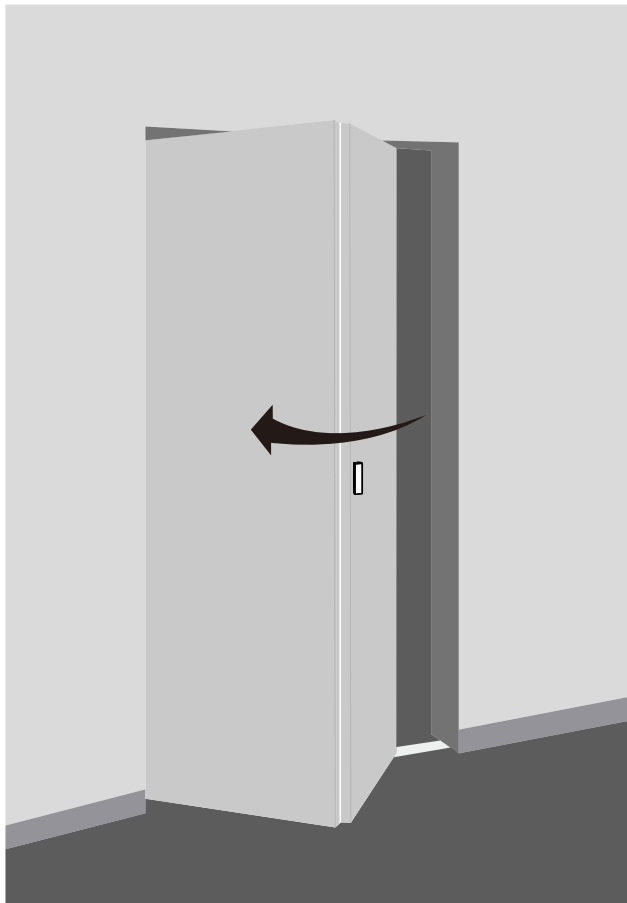


AA

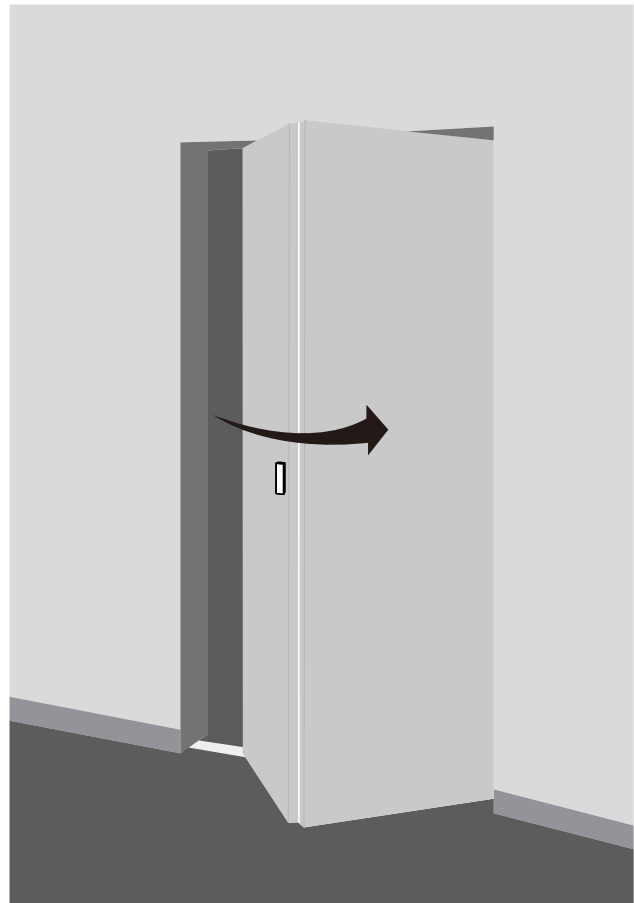
x 4
ST11/64"x5/8"
(4.2mmx16mm)

HARDWARE CONTENTS

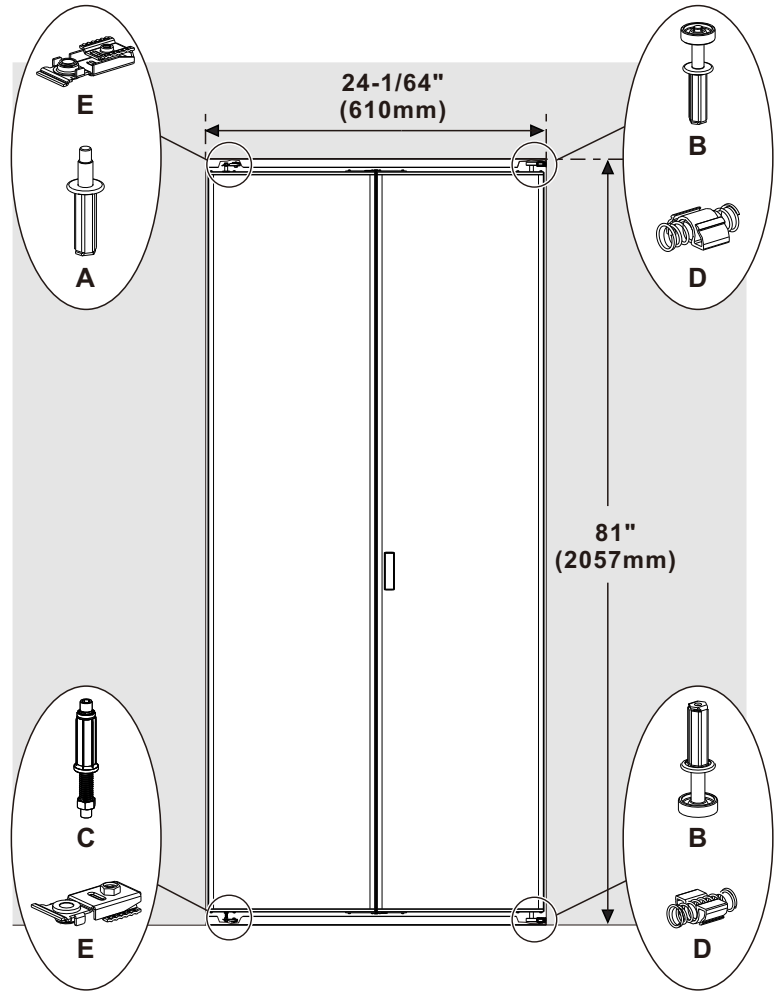
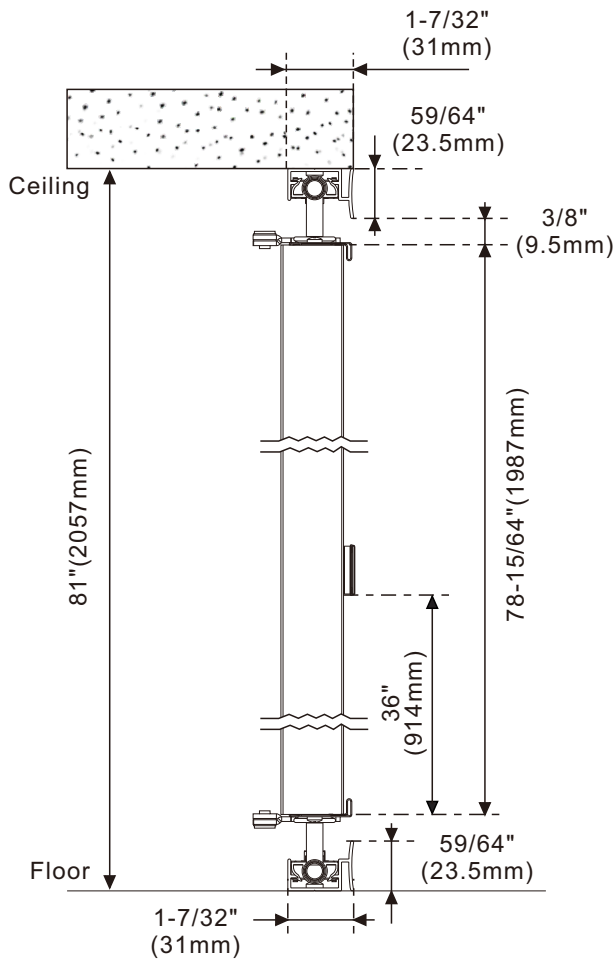
Left opening



Right opening

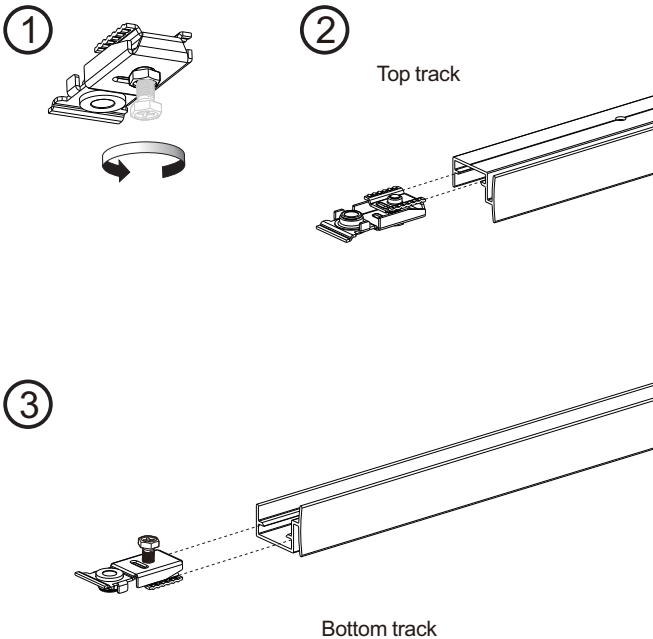


The following instructions apply to a left opening. For a right opening,
reverse the components.

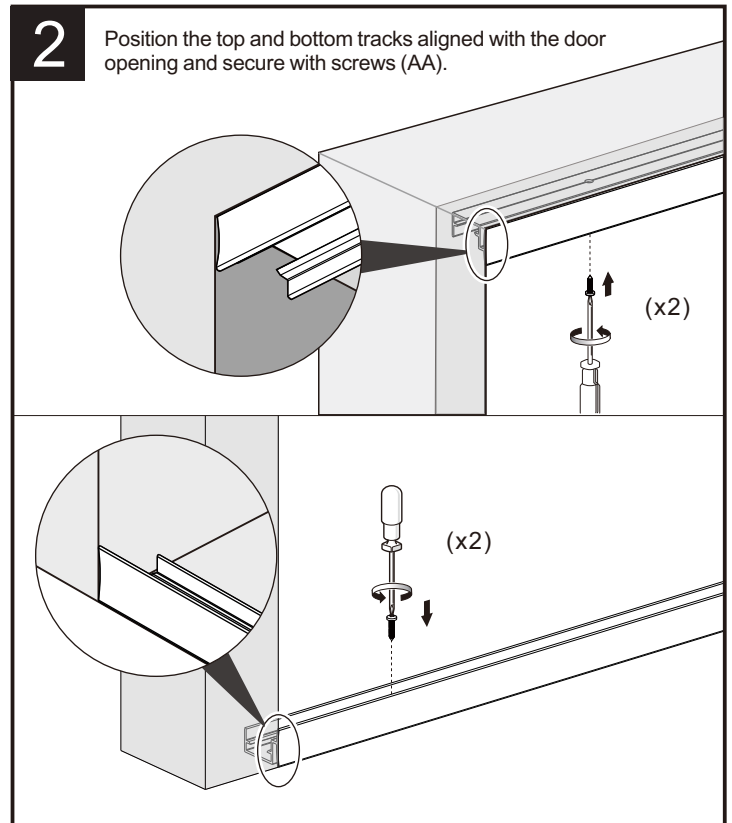


INSTALLATION INSTRUCTIONS

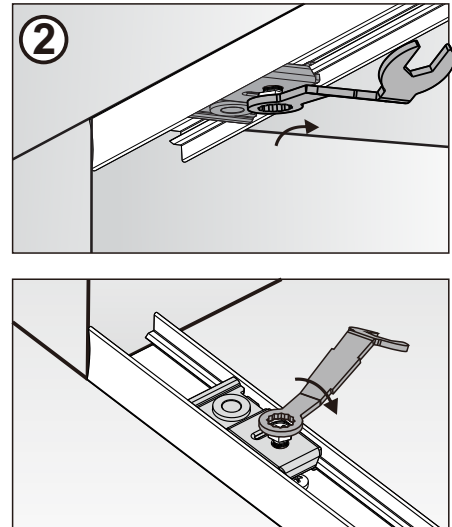
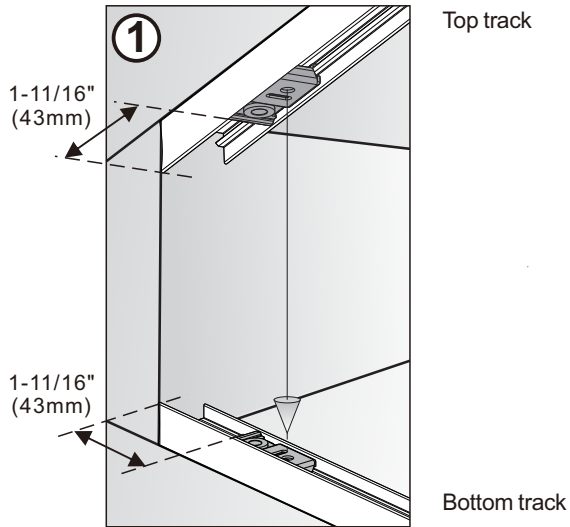
- 1** Loosen the screw on the pivot block clamp. From the left side, slide the pivot block clamp into the top and bottom track.



- 2** Position the top and bottom tracks aligned with the door opening and secure with screws (AA).



3 Use your Plumb bob and line to adjust the Pivot Block Clamp (E). This will ensure that your doors work properly. Adjusting the Pivot Block Clamp and tighten screws.

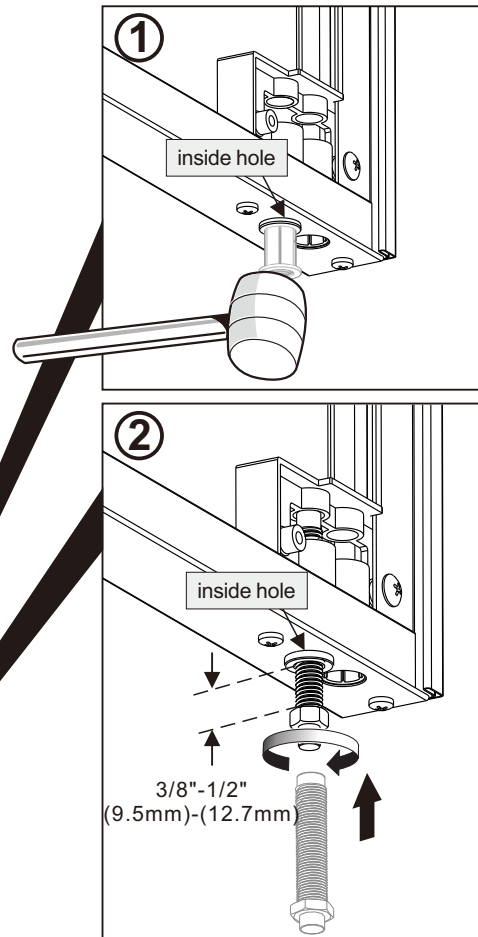
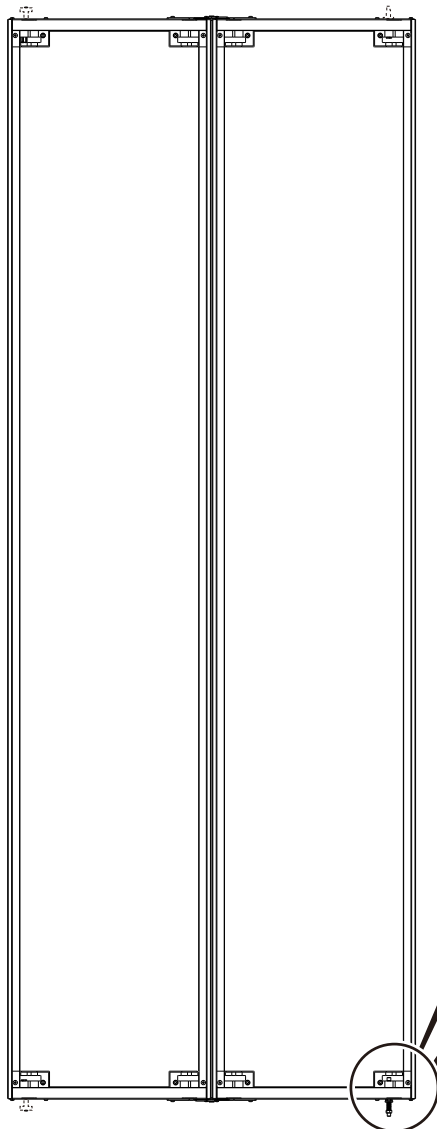


4 Lay the panels face down on a padded floor .

1. Tap the pivots C1 into place.

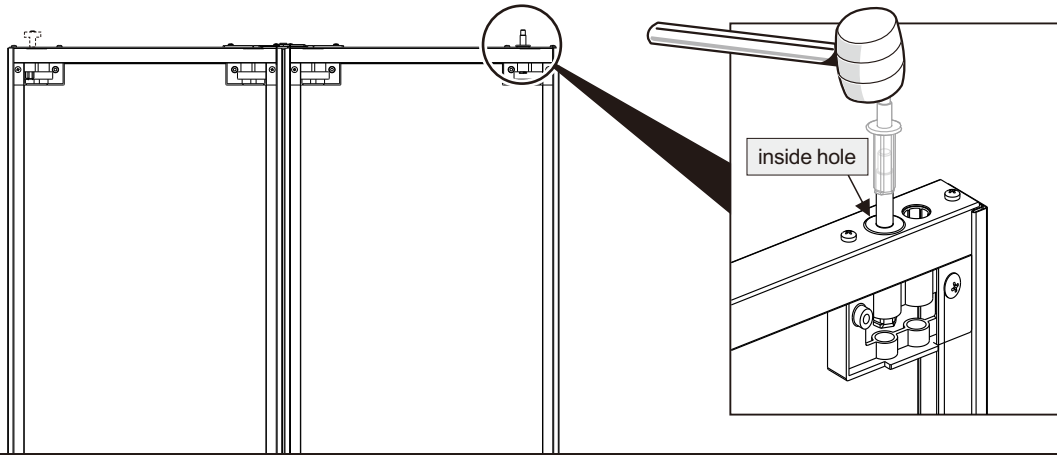
⚠ Note: Please pay attention to the installation position, because the bushing C1 fits tightly with the door leaf and is difficult to remove. If you need to change the installation position, use a spare.

2. Screw in the bottom threaded pivot pin C2 until the thread length is 3/8\"(9.5mm)-1/2\"(12.7mm).



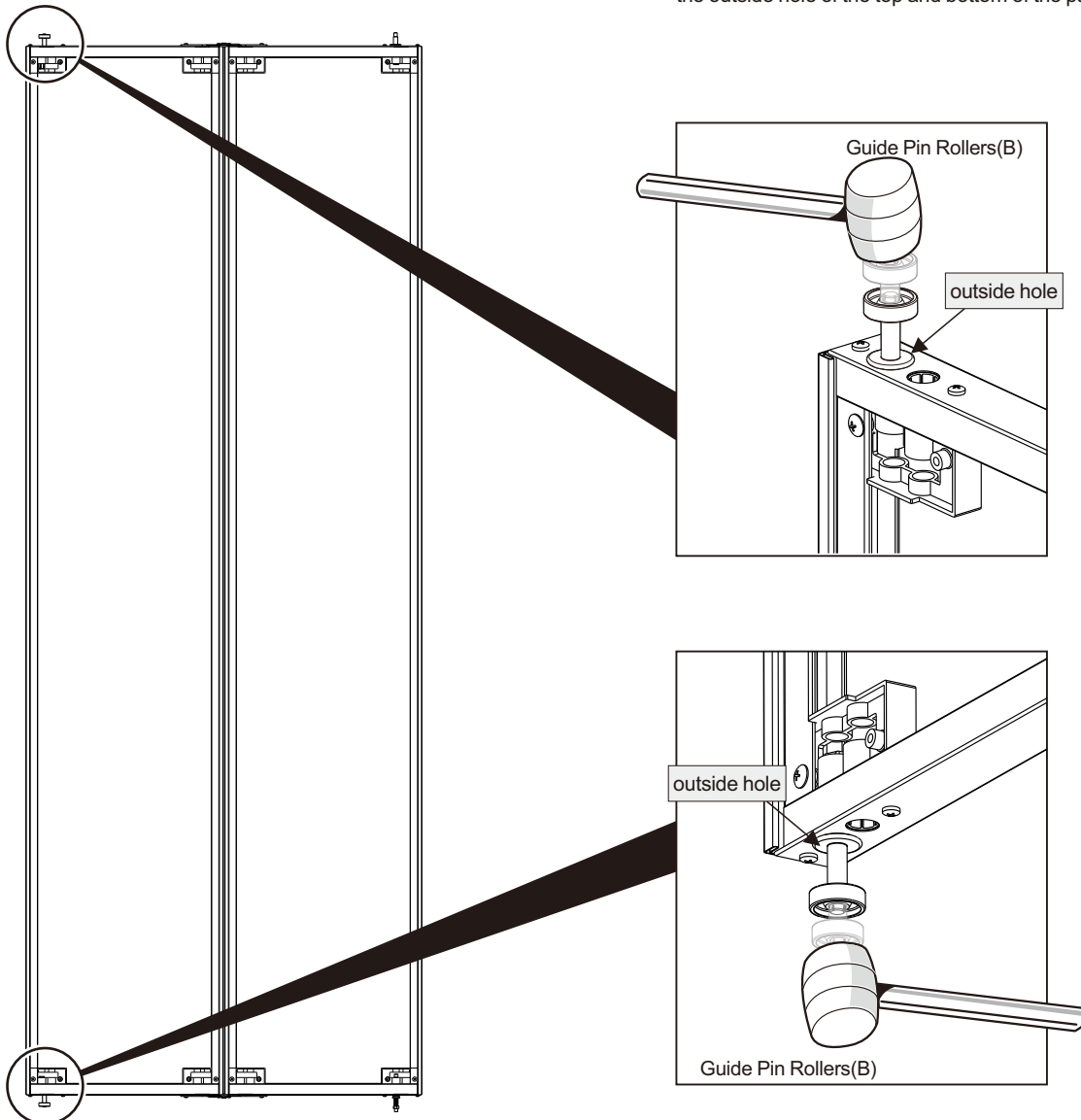
5

Tap the top spring pivot pin(A) into the top inside hole of the pivot side of the panel.



6

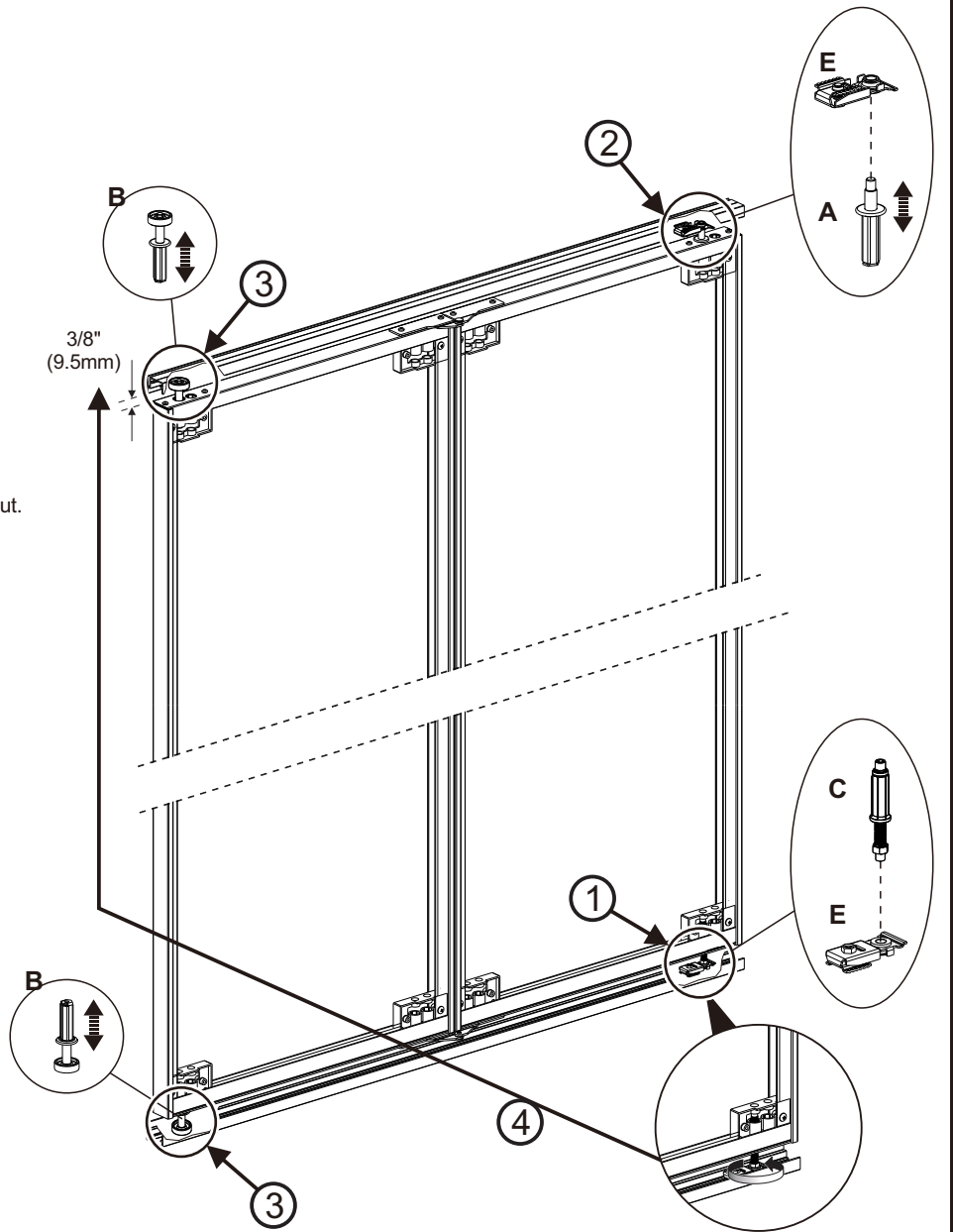
Tap the two Guide Pin Rollers (B) into the outside hole of the top and bottom of the panels.



7

- ① Insert the bottom threaded pivot pin(C) into lower pivot block clamp(E) hole.
- ② Pull upper top spring pivot pin(A) down and engage in pivot block clamp(E) hole.
- ③ Pull remaining pins(B) down at top and up on the bottom and engage in track.
- ④ Turn bottom threaded pivot pin (C) clockwise until top of door is 3/8" (9.5mm) below top track.

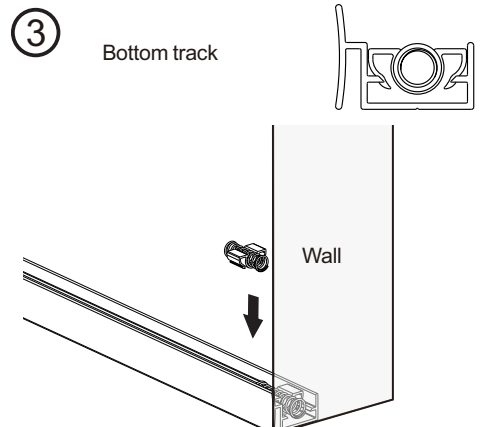
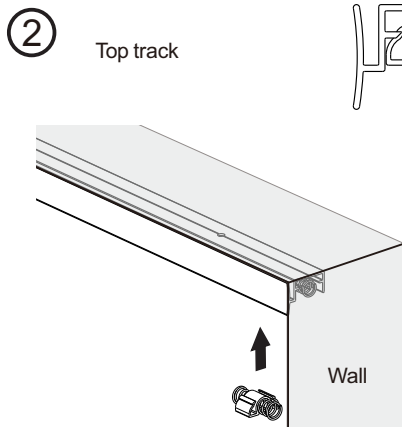
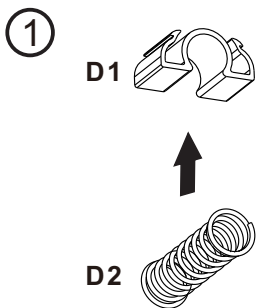
When adjusting (raising) the door panels, please relieve the weight of the panels on the bottom threaded pivot pins (C) by lifting the panels up while adjusting the bottom threaded pivot pin (C) nut.



8

- ① Press the spring(D2) into the tension clip(D1) .
- ② ③ Press the spring(D) into the track rail.

The tension clip (D1) and the small spring (D2) will be next to the wall and the guide pin poller (B) pushed against them, that makes the panels stay closed.

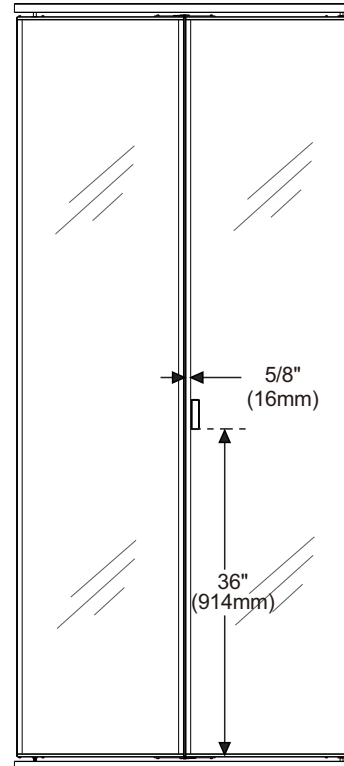


9

Clean the mirror to ensure that the mirror handle adheres properly.

Measure 36 inches upward from the bottom edge of the right panel and mark the corresponding position on the mirror. Subsequently, make an additional mark 5/8 of an inch inward from the edge of the mirror.

Peel the backing from the mirror handle adhesive. Carefully align the handle with the marks, then press firmly onto the mirror.



USE & CARE / UTILISATION ET ENTRETIEN

Maintenance:

- Inspect the tracks and rollers for any dirt, debris, or obstructions. Clean them using a soft brush or cloth as needed.
- Check the alignment of the door periodically and adjust if necessary to prevent uneven wear and tear.

Cleaning:

- Wipe down the door panels and frame with a soft, damp cloth to remove dust and dirt.
- Avoid using abrasive cleaners or solvents, as they may damage the surface finish.
- Dry the door thoroughly after cleaning to prevent water damage.