
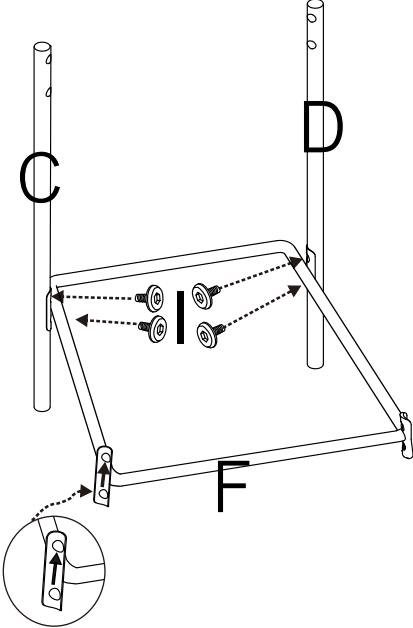
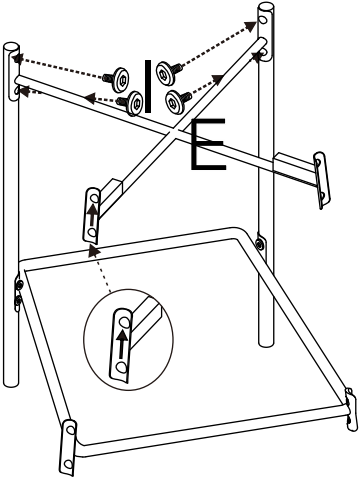



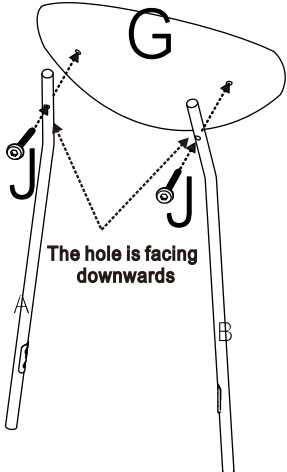

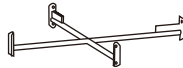
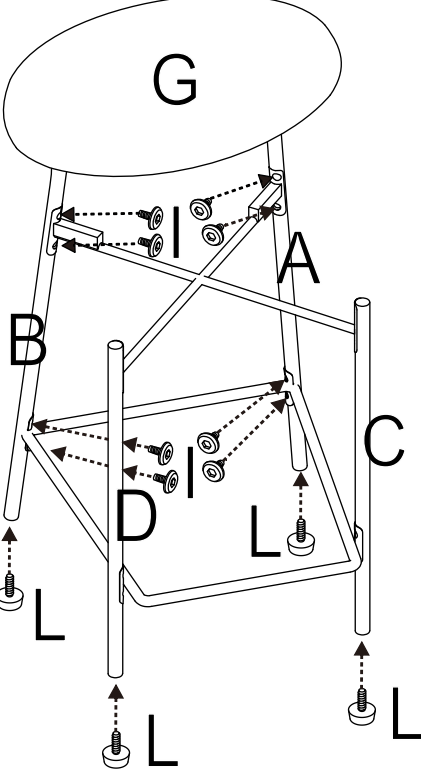

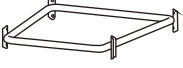


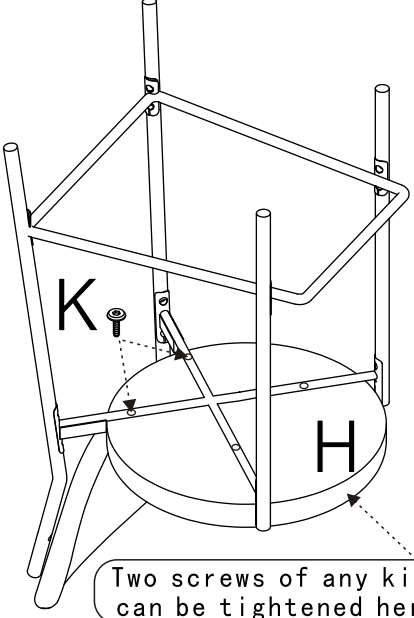











ASSEMBLY INSTRUCTION

A		X1	1 	2 	
B		X1			 X4
C		X1			3  <p>The hole is facing downwards</p>
D		X1			
E		X1	4 	 X2	
F		X1			 X2
G		X1		5  <p>Two screws of any kind can be tightened here.</p>	
H		X1			 X4
I		X16			 X8
J		X2			 X4
K		X4			
L		X4			
M		X1			