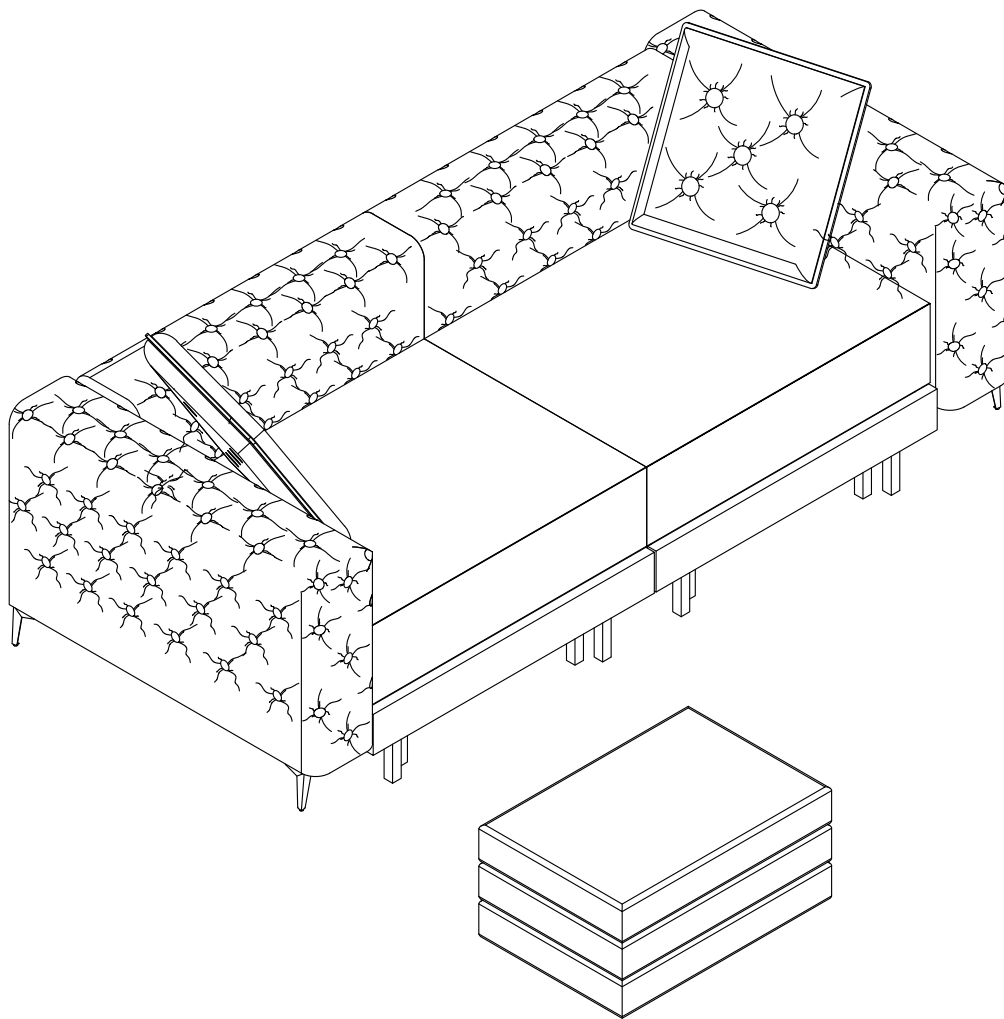
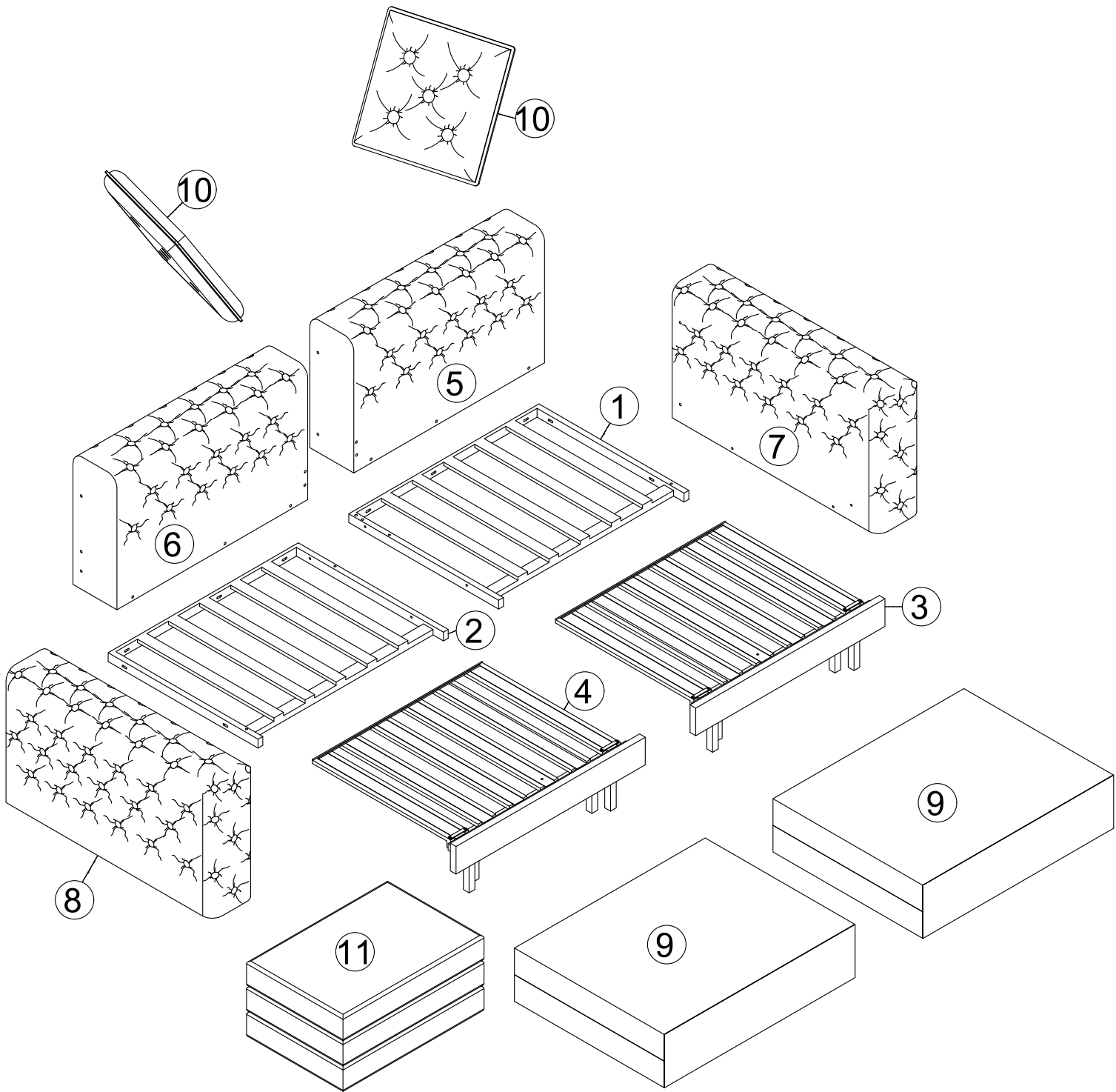
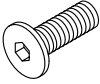
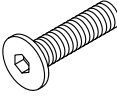
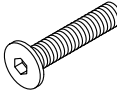
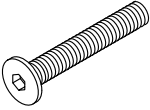
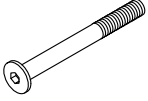
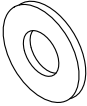
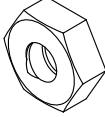
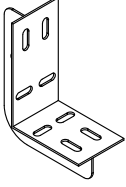
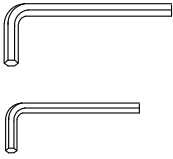
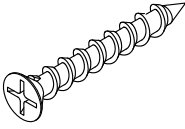
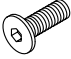
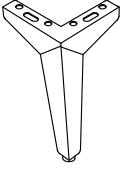
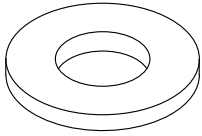
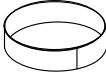


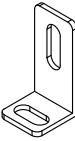
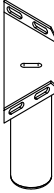
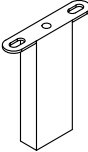
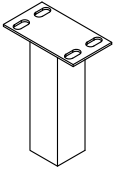


INSTALLATION INSTRUCTION





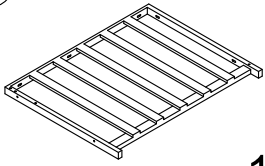
HARDWARE LIST:

| | | | |
|--|---|---|---|
| <p>A</p>  <p>M8×20 28PCS</p> | <p>B</p>  <p>M8×30 8PCS</p> | <p>C</p>  <p>M8×60 16PCS</p> | <p>D</p>  <p>M8×80 4PCS</p> |
| <p>E</p>  <p>M8×100 1PC</p> | <p>F</p>  <p>M8 62PCS</p> | <p>G</p>  <p>M8 23PCS</p> | <p>H</p>  <p>1PC</p> |
| <p>I</p>  <p>M8 M6 1PC</p> | <p>J</p>  <p>5×25 8PCS</p> | <p>K</p>  <p>M6×20 8PCS</p> | <p>L</p>  <p>4PCS</p> |
| <p>M</p>  <p>1PC</p> | <p>N</p>  <p>2PCS</p> | <p>O</p>  <p>M8 M6 1PC</p> | <p>P</p>  <p>1PC</p> |
| <p>Q</p>  <p>2PCS</p> | <p>R</p>  <p>4PCS</p> | <p>S</p>  <p>4PCS</p> | <p>T</p>  <p>1PC</p> |
| | | | |
| | | | |

PART LIST:

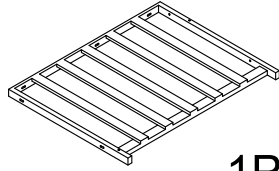
BOX 1-3

1



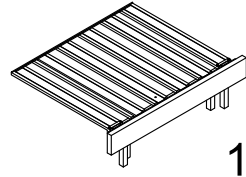
1PC

2



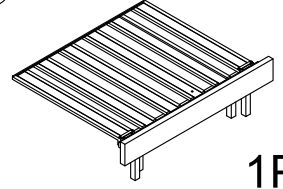
1PC

3



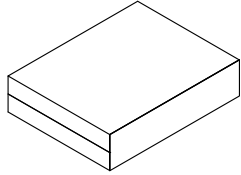
1PC

4



1PC

9

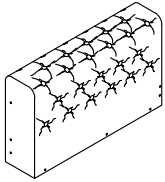


2PCS

BOX 2-3

6

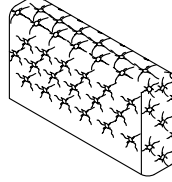
Left Backrest



1PC

8

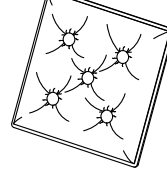
Left Armrest



1PC

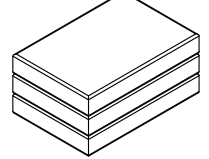
10

(Place inside the Left armrest)



2PCS

11

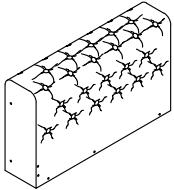


1PC

BOX 3-3

5

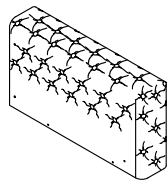
Right Backrest



1PC

7

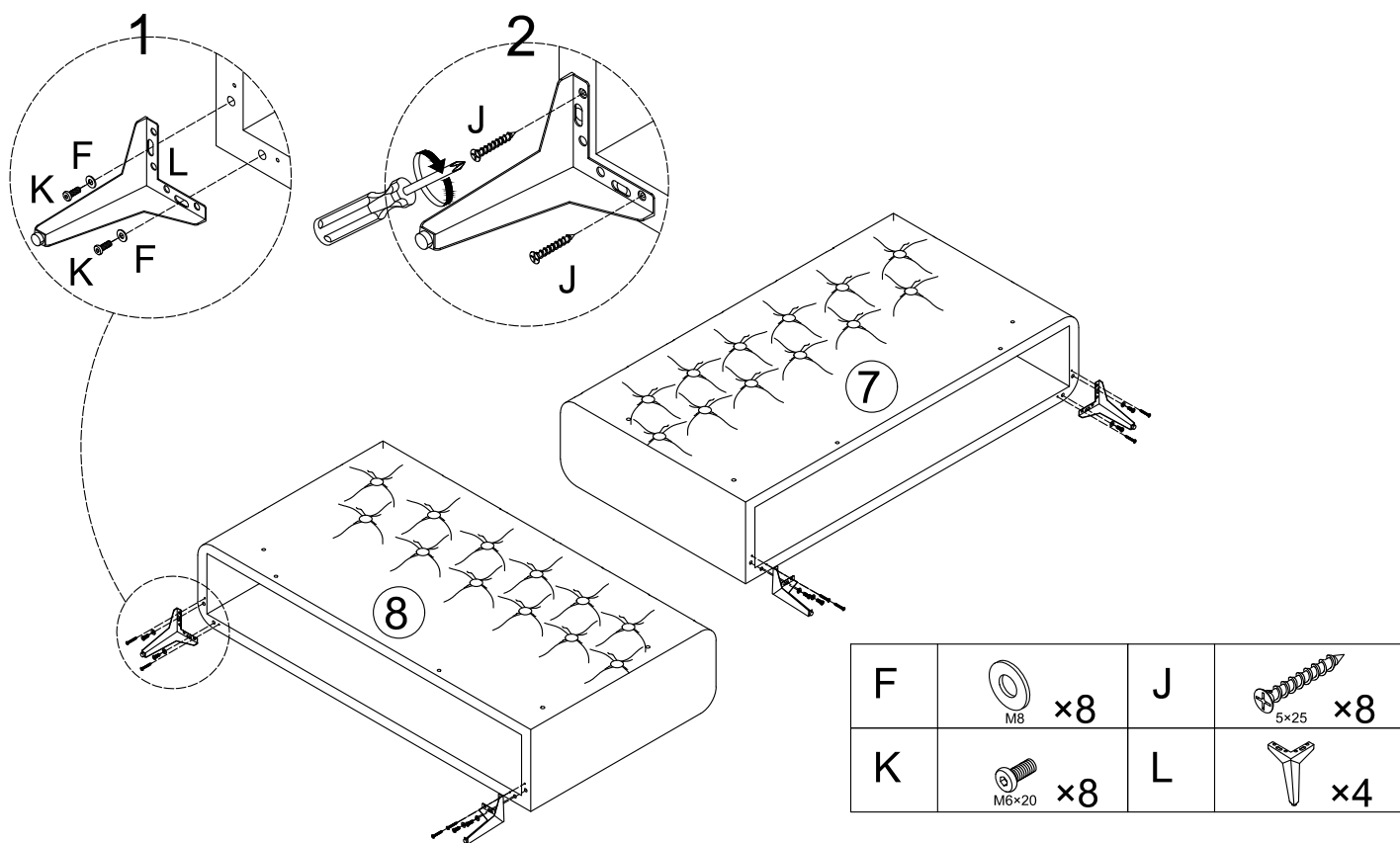
Right Armrest



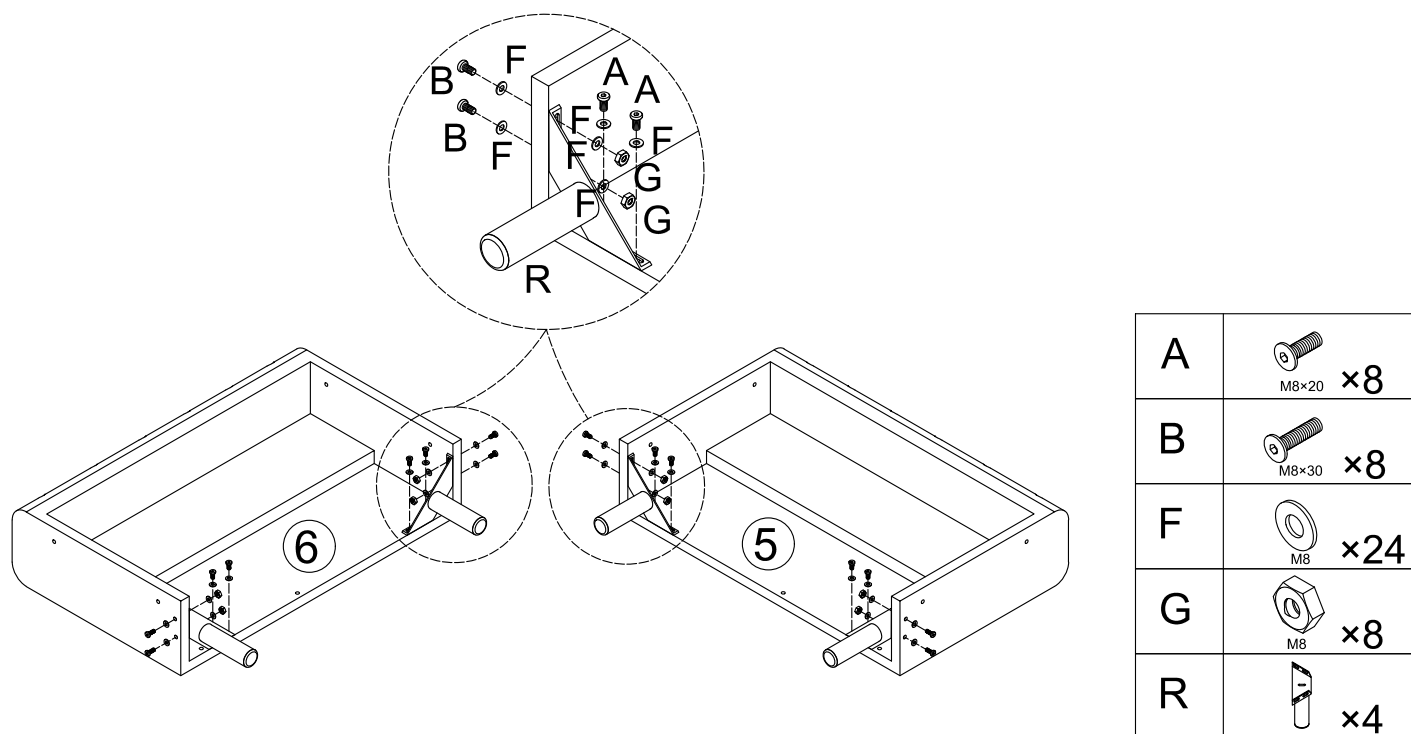
1PC

All hardware components
(Place inside the right armrest)

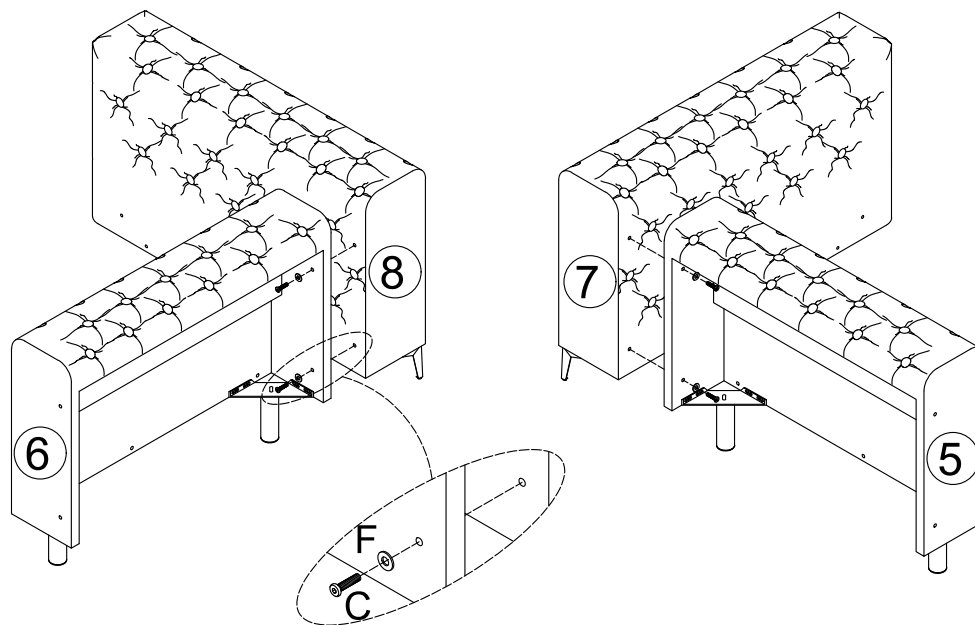
Step 1





Step 2

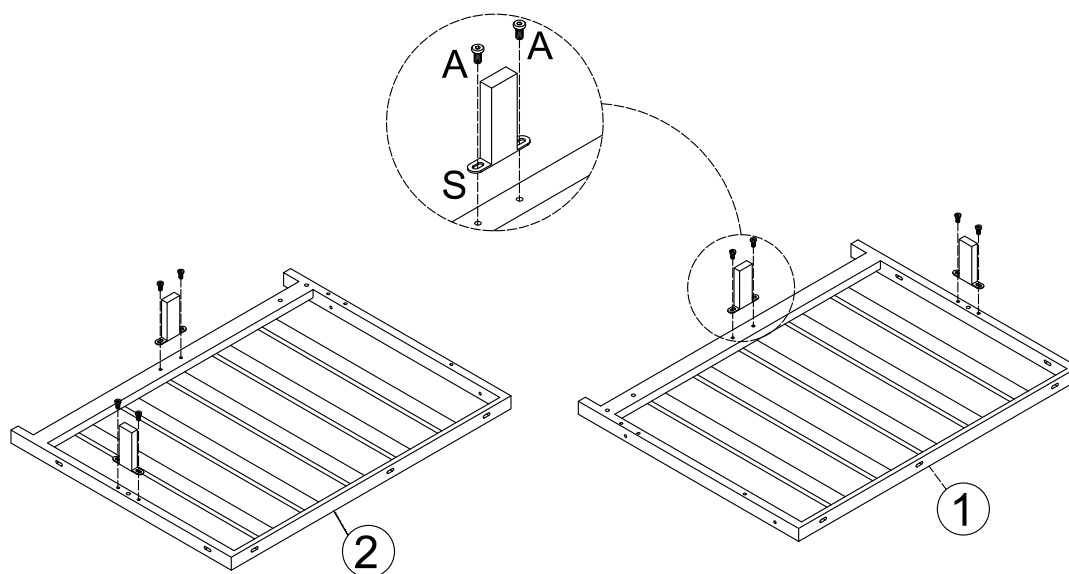



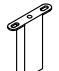
Step 3



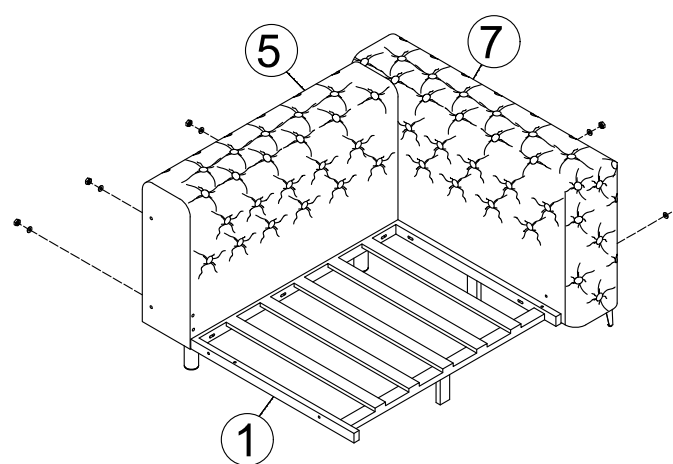
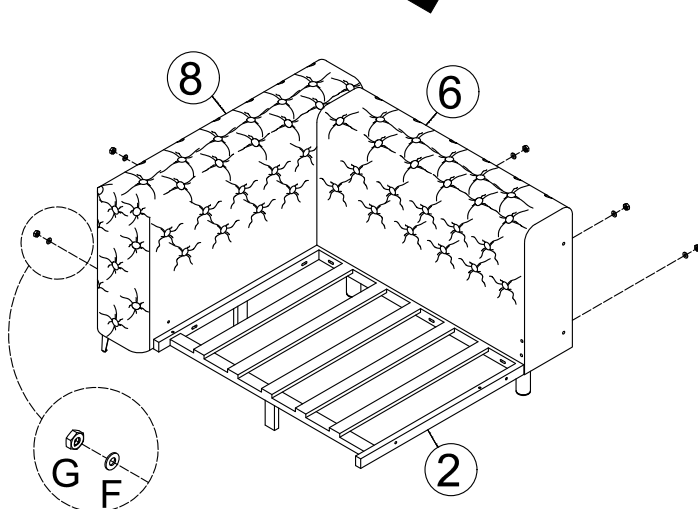
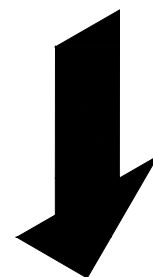
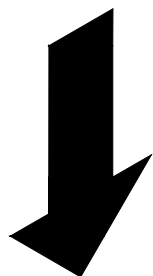
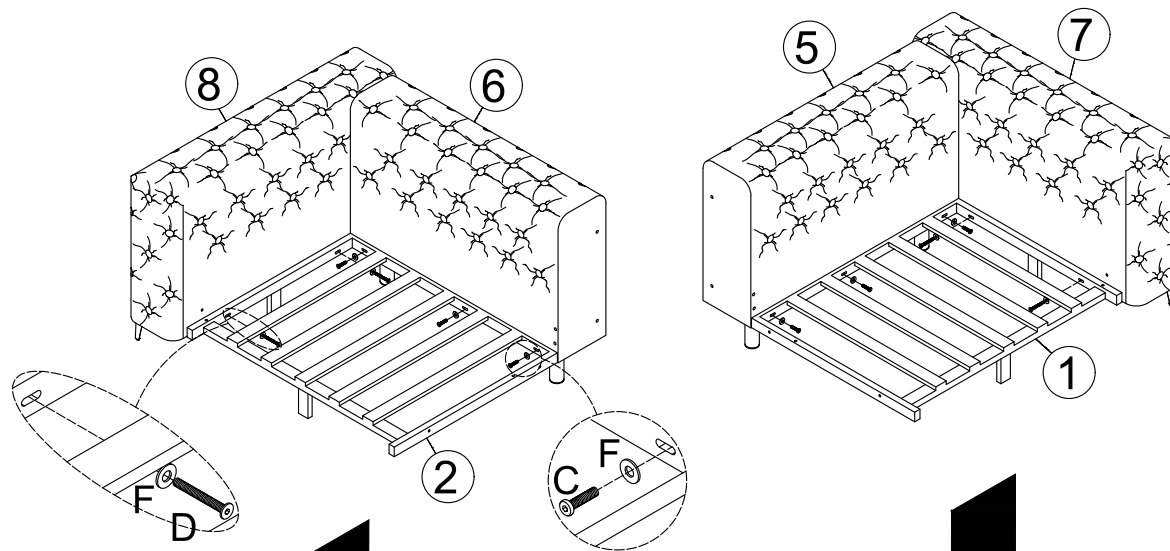
| | |
|---|---|
| C |  M8x80 x4 |
| F |  M8 x4 |


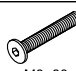


Step 4



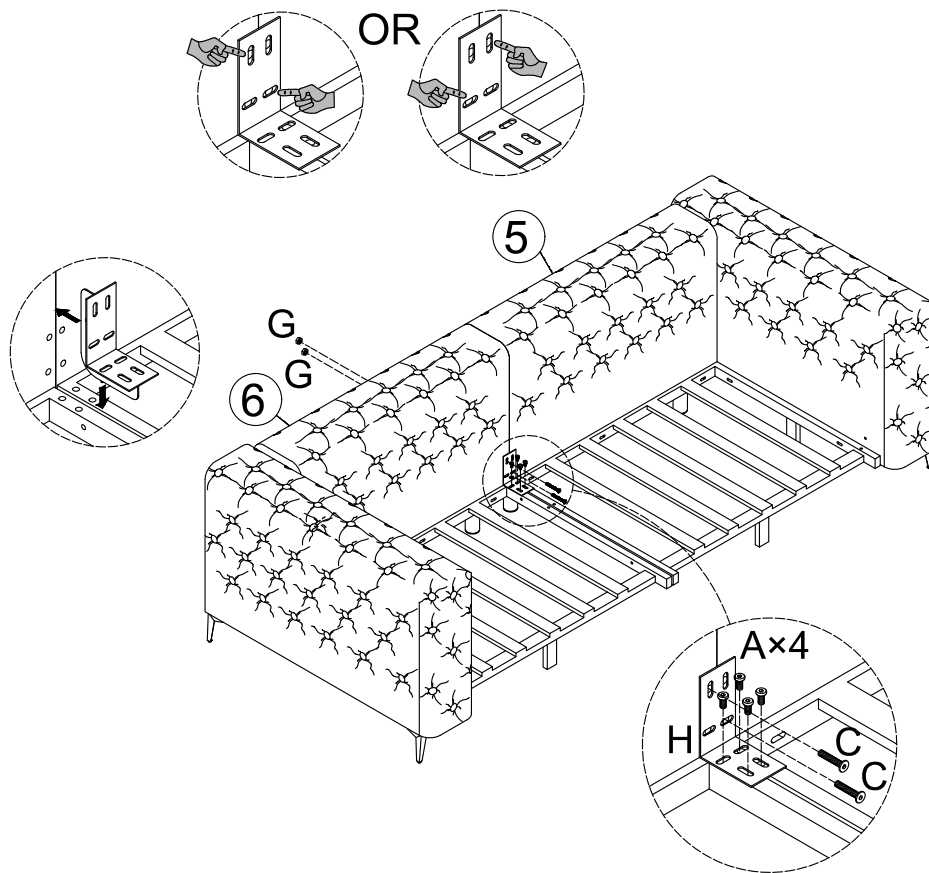
| | |
|---|---|
| A |  M8x20 x8 |
| S |  x4 |




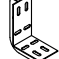
Step 5



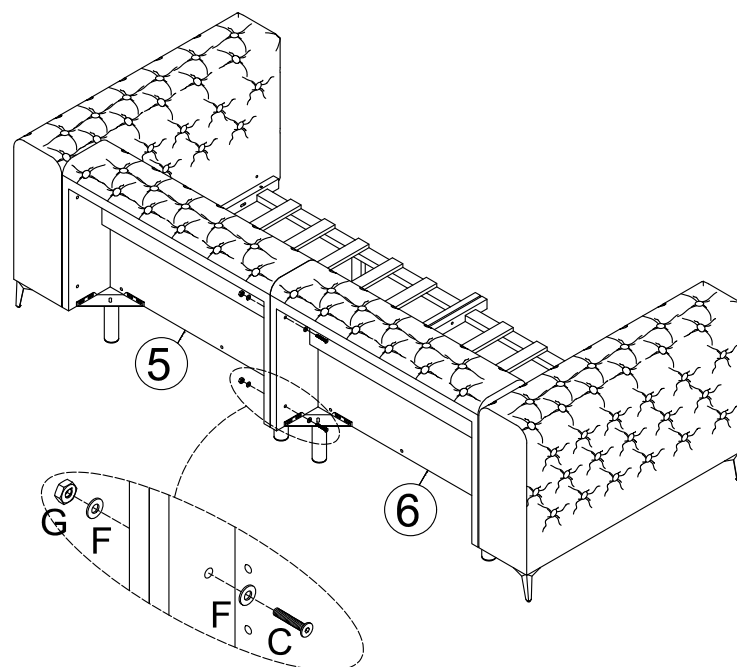
| | | |
|---|--|-----|
| C |  M8×60 | ×6 |
| D |  M8×80 | ×4 |
| F |  M8 | ×20 |
| G |  M8 | ×10 |




Step 6



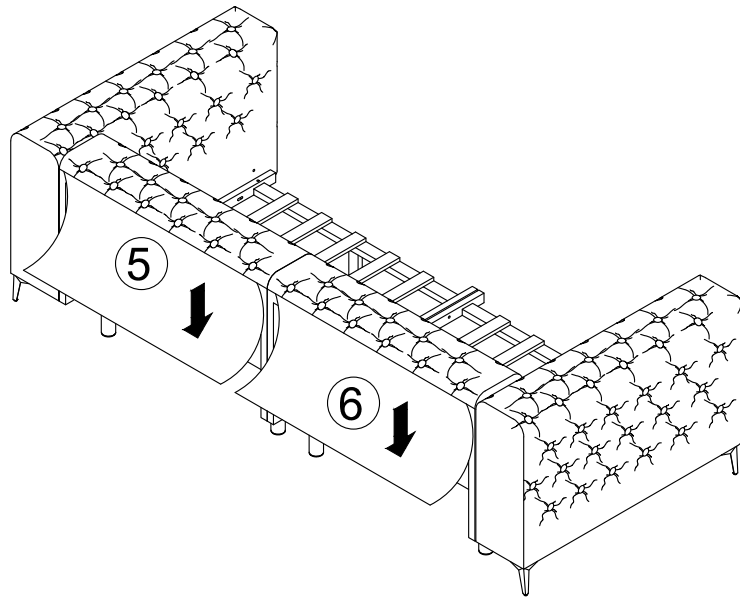
| | | |
|---|--|----|
| A |  M8x20 | x4 |
| C |  M8x60 | x2 |
| G |  M8 | x2 |
| H |  | x1 |

Step 7

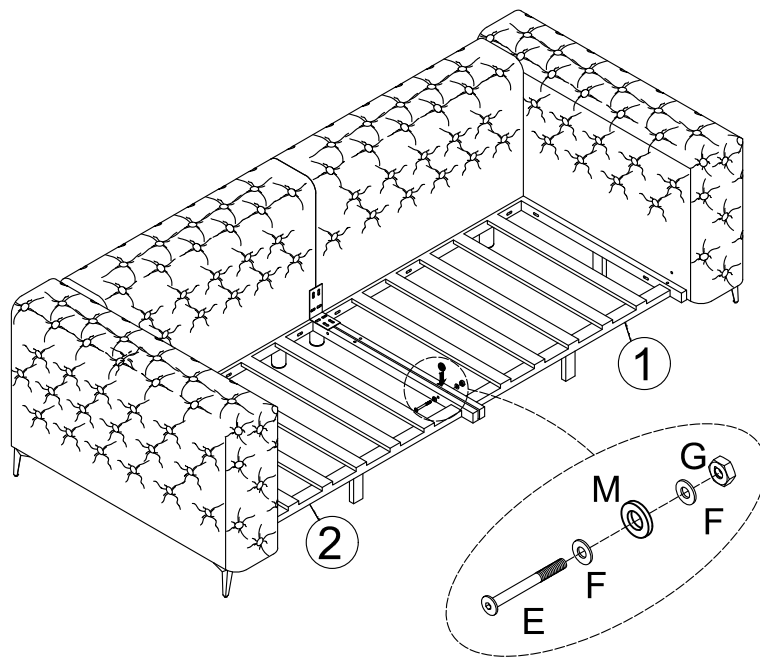






| | | |
|---|--|----|
| C |  M8x60 | x2 |
| F |  M8 | x4 |
| G |  M8 | x2 |

Step 8

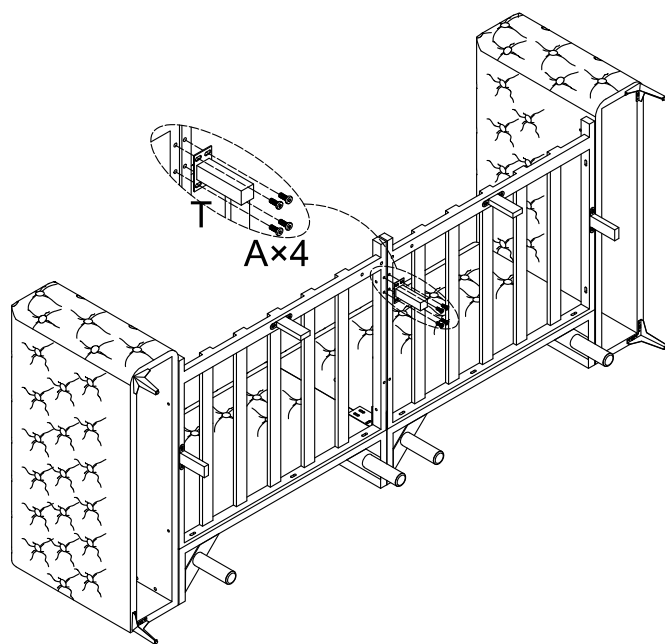



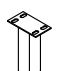
Step 9



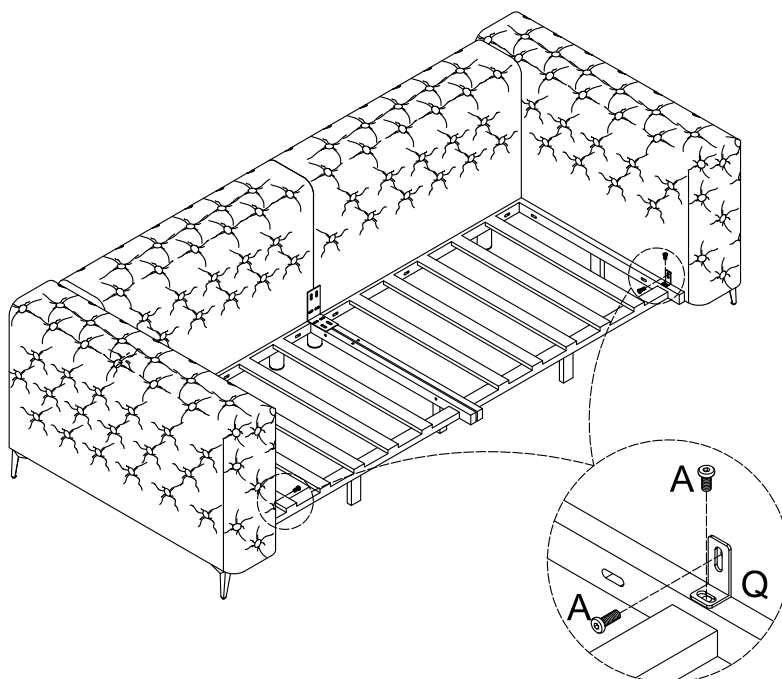
| | |
|---|--|
| E |  M8×100 ×1 |
| F |  M8 ×2 |
| G |  M8 ×1 |
| M |  ×1 |


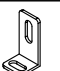
Step 10



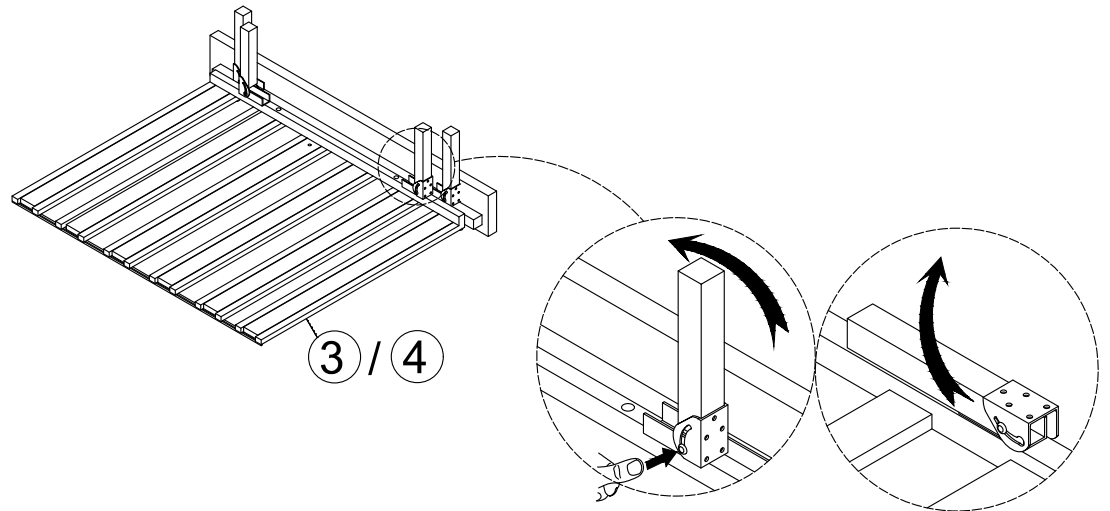
| | |
|---|--|
| A |  M8x20 x4 |
| T |  x1 |

Step 11

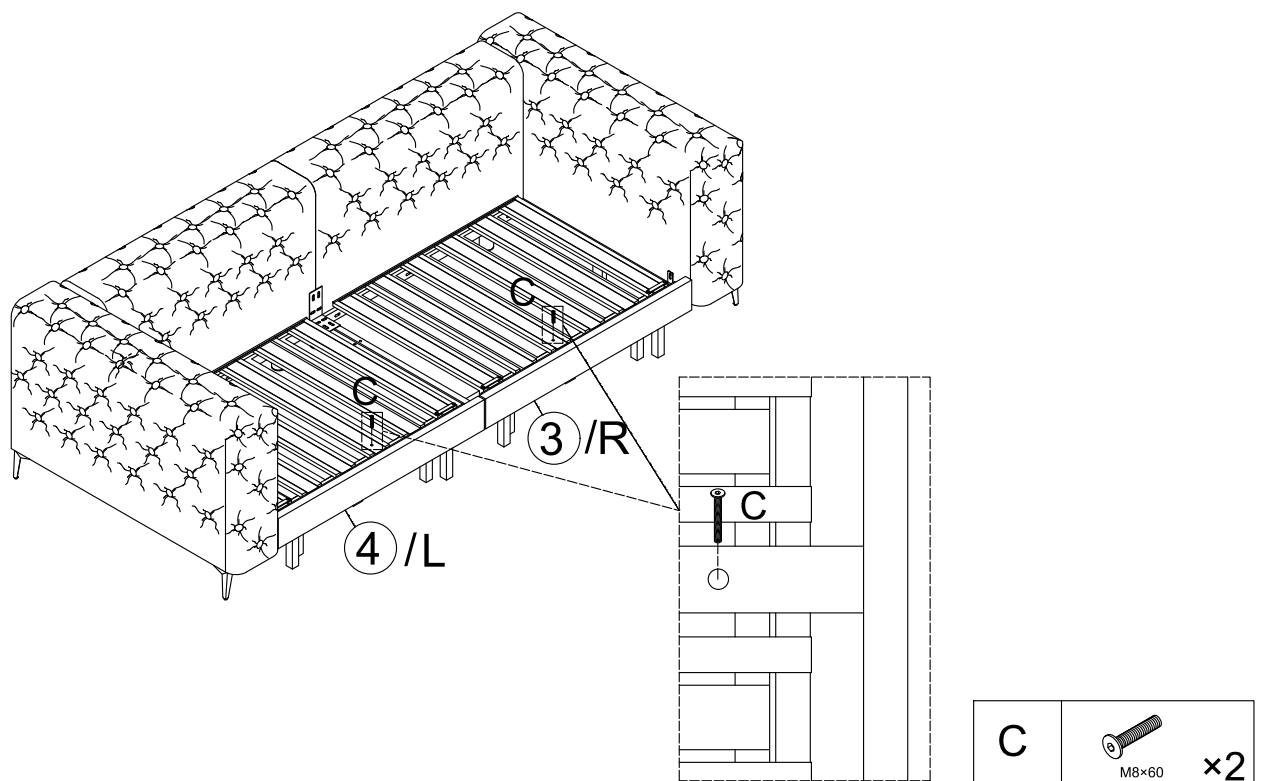


| | |
|---|--|
| A |  M8x20 x4 |
| Q |  x2 |

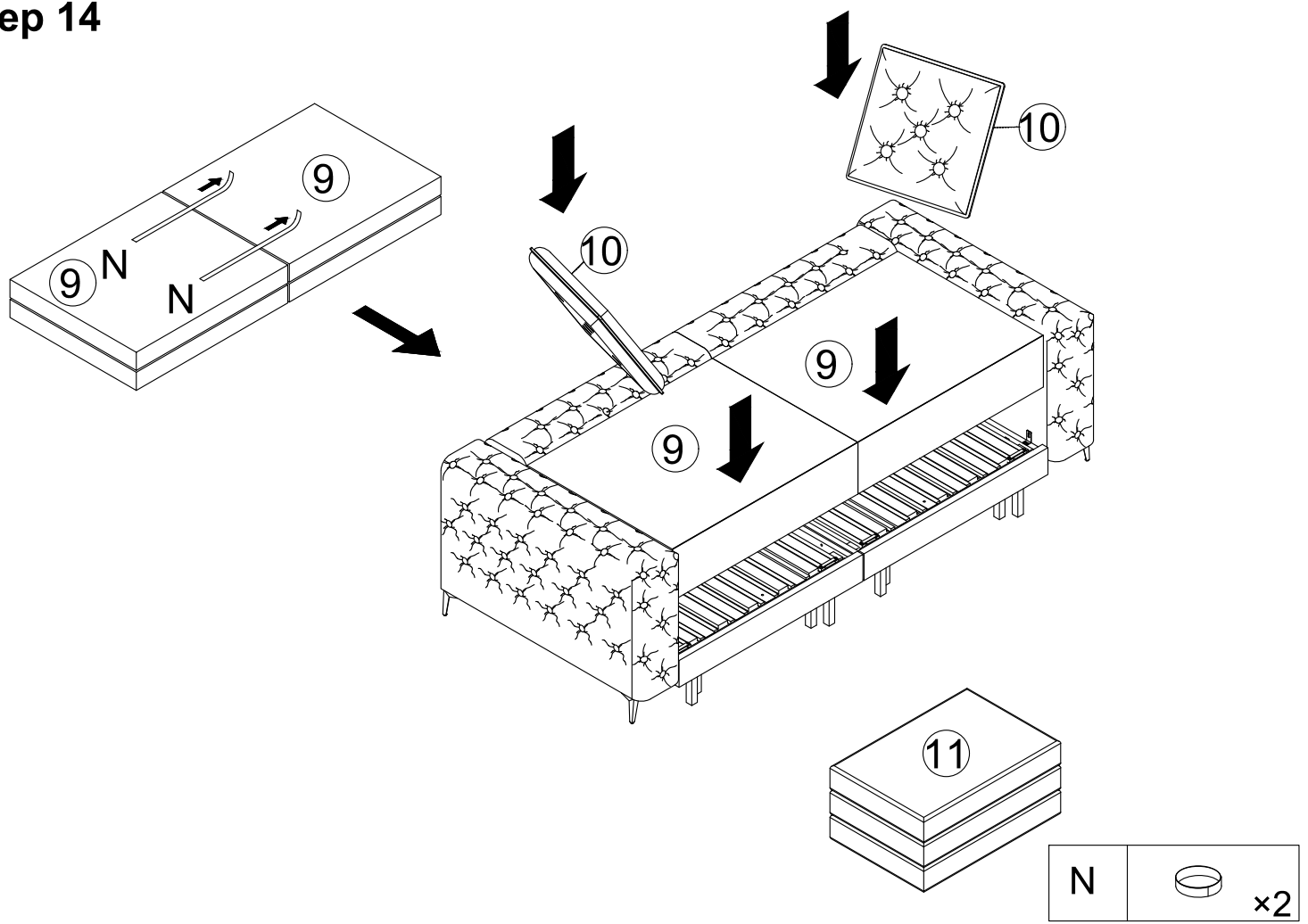
Step 12



Step 13



Step 14



Step 15

