

CARE AND MAINTENANCE

Never use abrasive or acid-based cleaners on the shelf rack.

Clean shelves and rods with a solution of mild detergent and water .Use a soft cloth or sponge to wipe parts.Rinse and dry thoroughly.Keep surfaces dry and clean for a longer lasting finish.

NOTICE

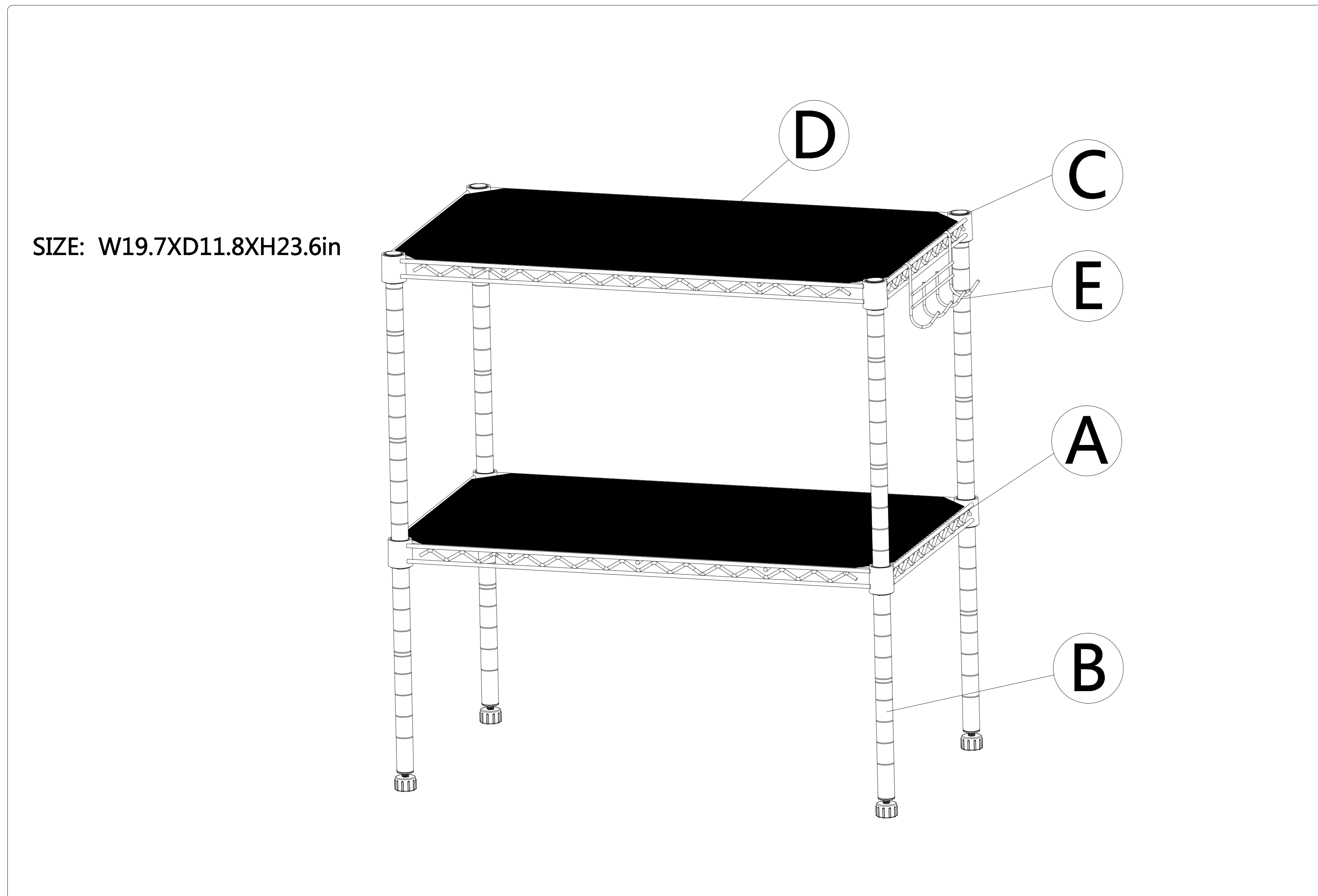
Please read and understand these instructions before attempting to assemble,operate or install the product.

-Two adults required for a assembly.

-Do not allow children to climb or play in or around the shelves .

-Each shelf holds up to 66 lbs.When items are evenly distributed.

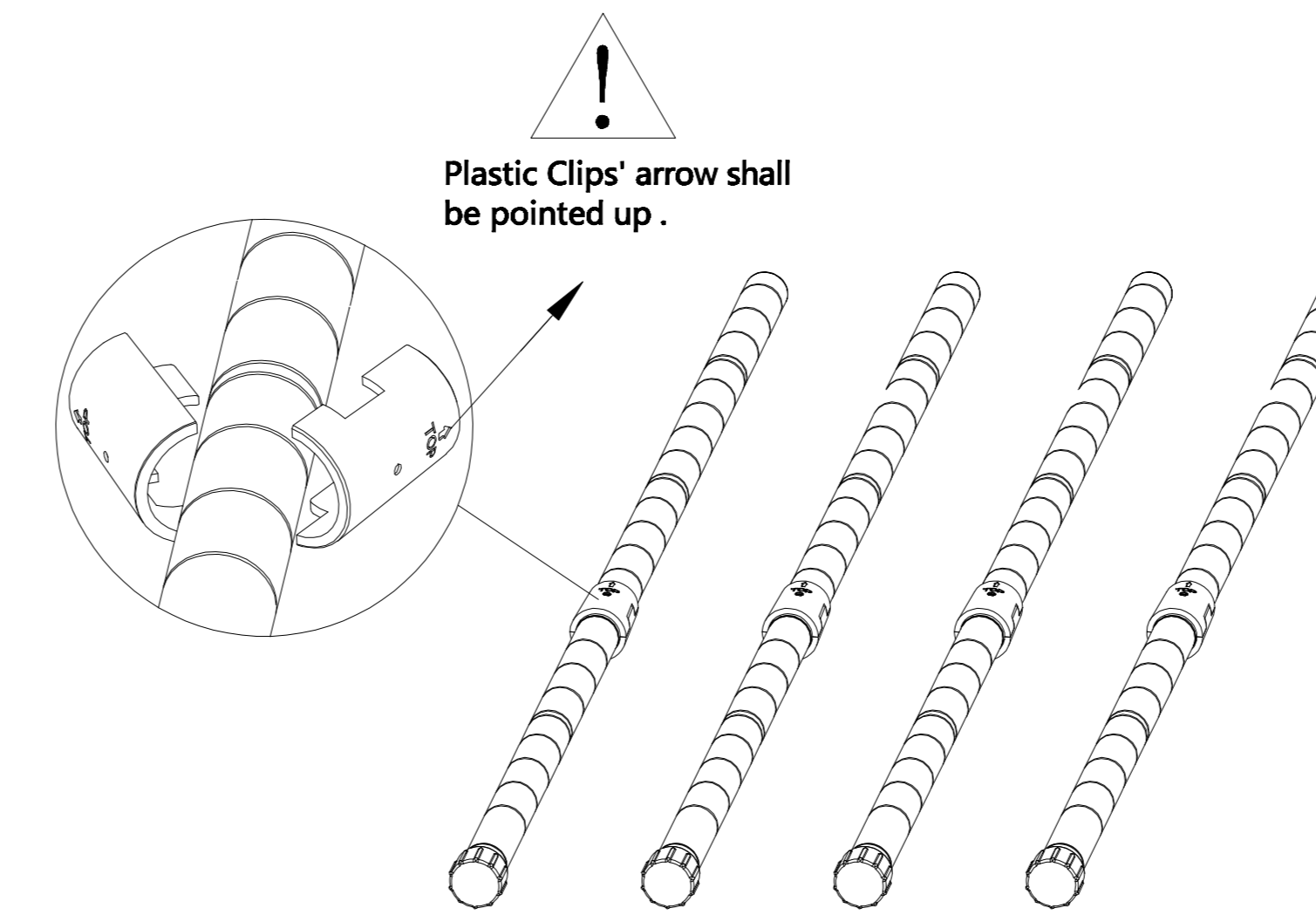
-Assemble on a soft surface,such as carpeting to avoid scratching the finish .



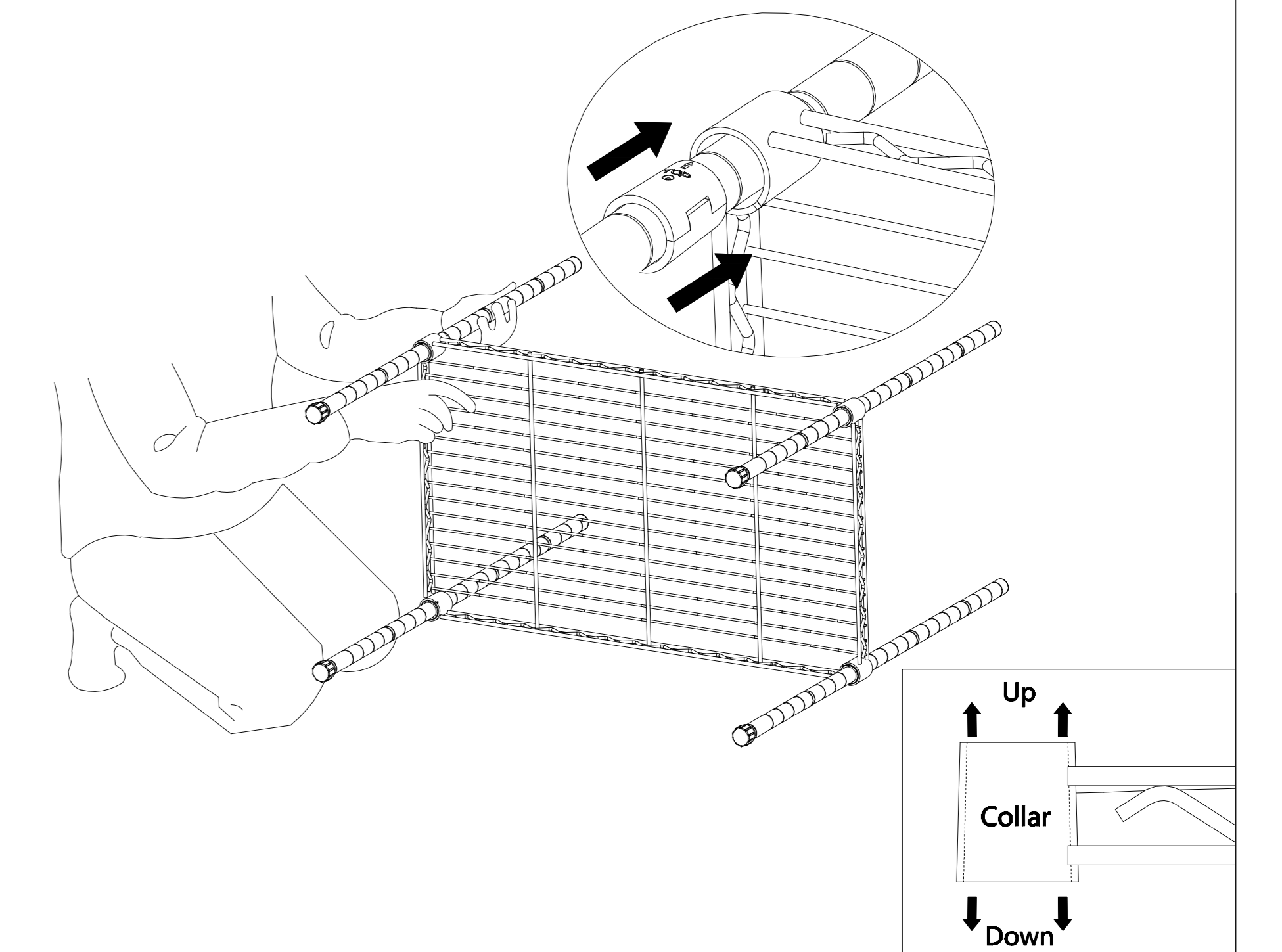
No.	A	B	C	D	E
Name	Wire Shelf	Pole	Plastic Clip	PP Mat	Hook Rail
Parts					
Quantity	2PCS	4PCS	16PCS	2PCS	1PC

Assembly Steps:

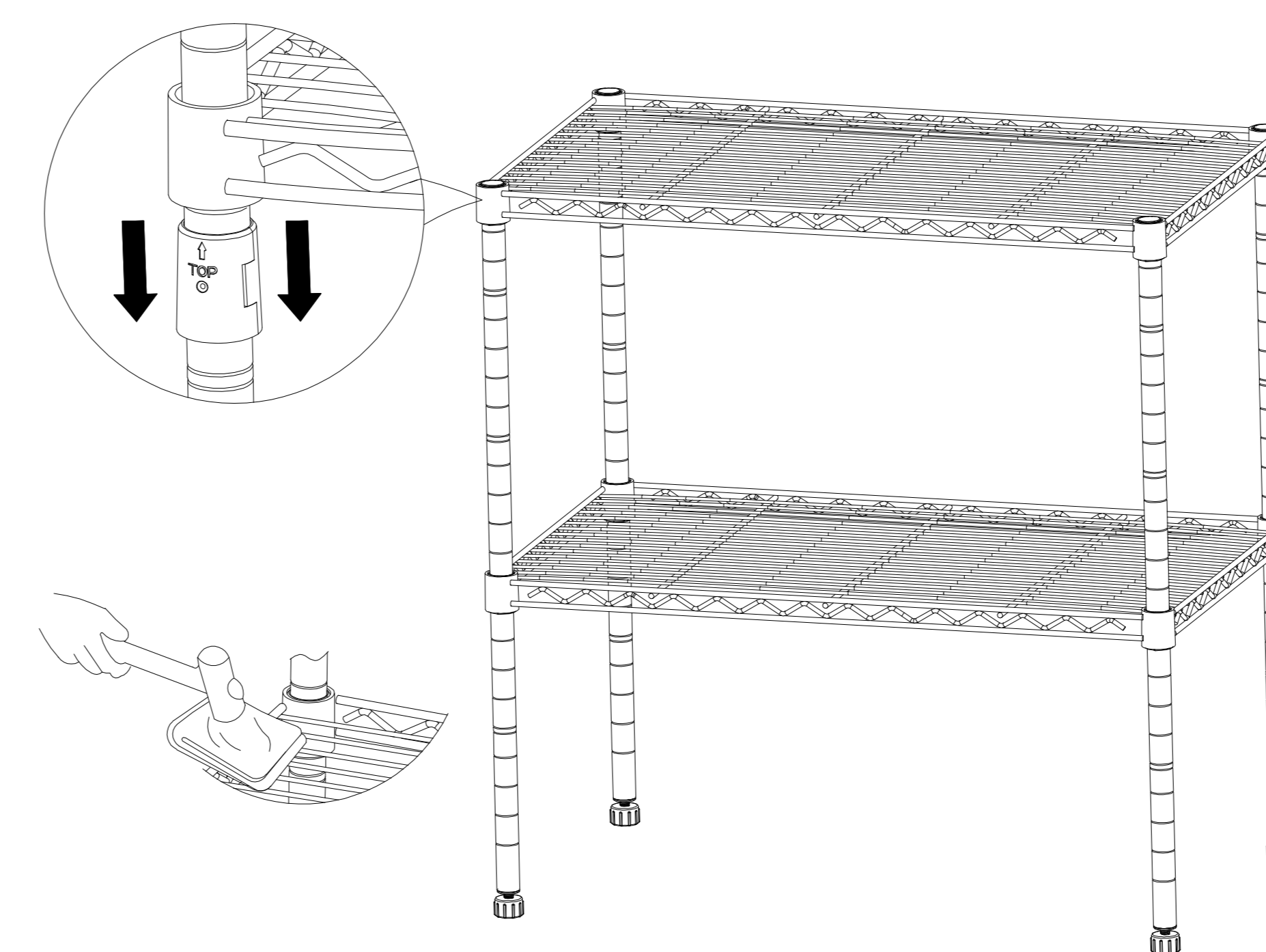
- 1 Snap the Plastic Clips(C) into the grooves of four Pole(B) at your desired position for first shelf Assembly. Make sure the arrow of plastic clips are pointed up.



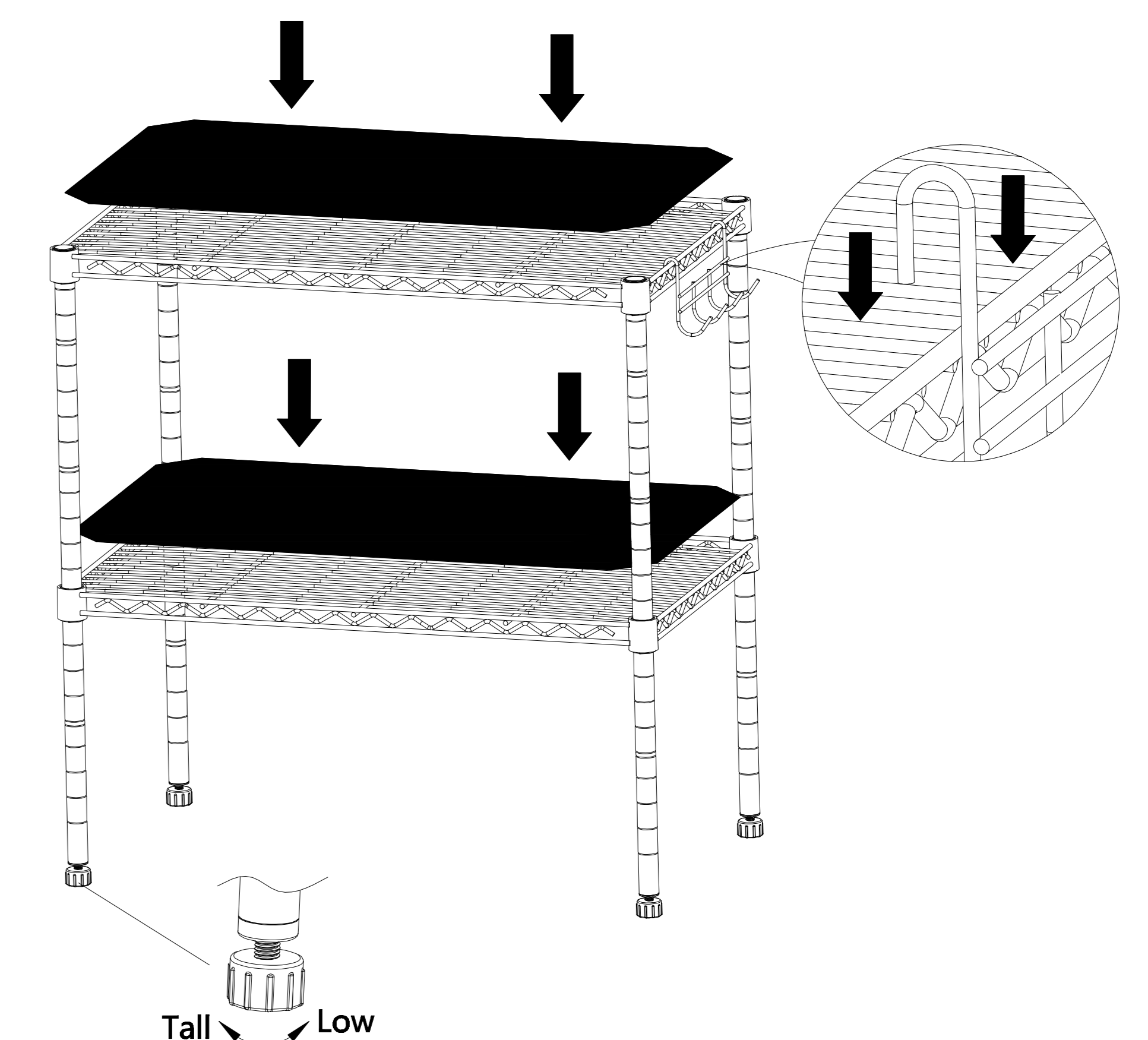
- 2 Please make sure that you have the Wire Shelf(A) the correct way up,hold the wire shelf on it's side and slide the top of four lower poles through the bottom of the wire shelf at it's corners until there is a snug fit,and then set the wire shelf upright.



- 3 Repeat the step 1 and the step 2 to assemble the 2nd wire shelf as the photo,Pushing firmly down on every shelf at corners by rubber mallet to ensure the shelf in a place over the plastic clips.



- 4 Screwing the leveling feet in or out to attain proper leveling .Then hang up Hook Rail (E) on the shelf frame of the top shelf as the photo and put the PP Mats(D)onto shelves.



PREPARATION

1.Before beginning assembly of product,make sure all parts are present.Compare parts with package contents list and hardware contents .If any parts is missing or damaged,do not attempt to assemble the product .

2.Estimated Assembly Time :Approximately 15-20 minutes.

3.Helpful Tools(not included):Rubber Mallet.

4.No Tools Required for Assembly.