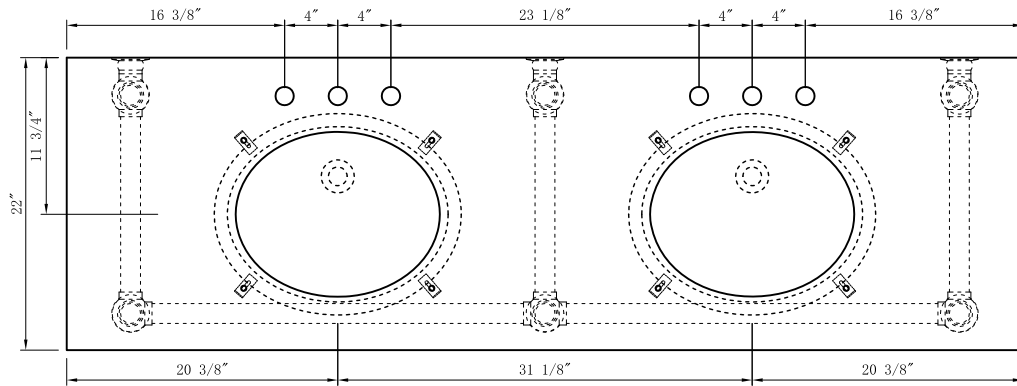
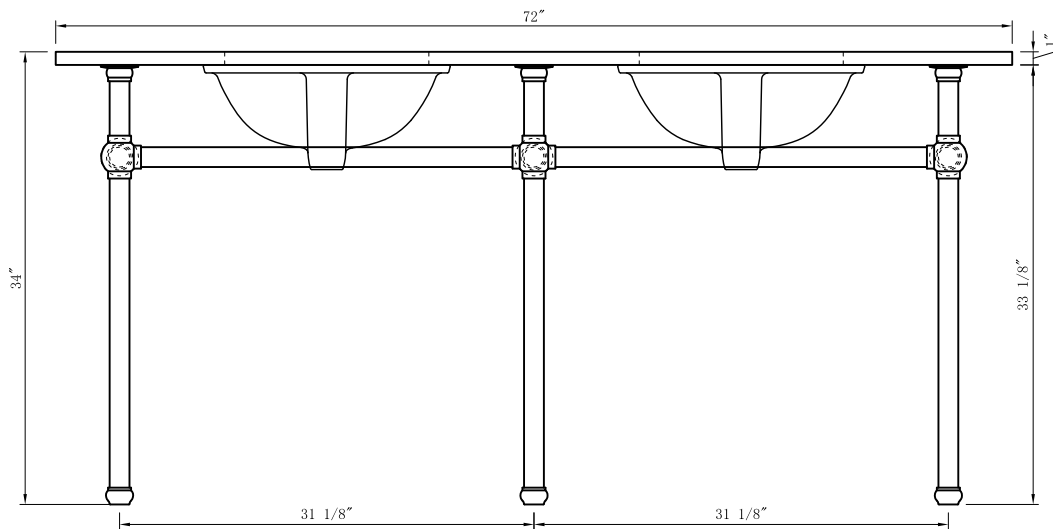


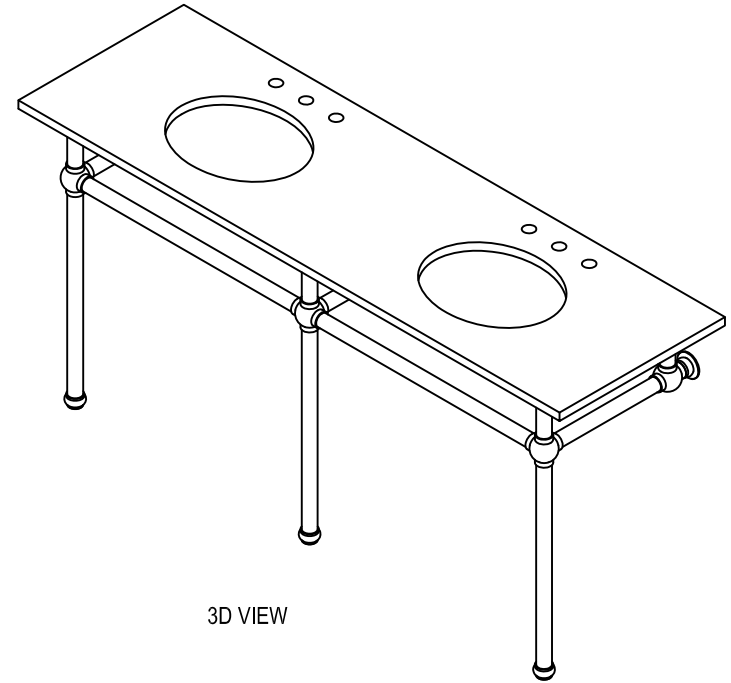
# Dimensions



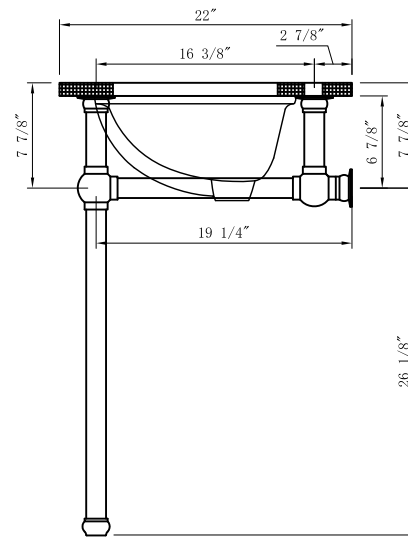
TOP VIEW



FRONT VIEW



3D VIEW



SIDE VIEW

