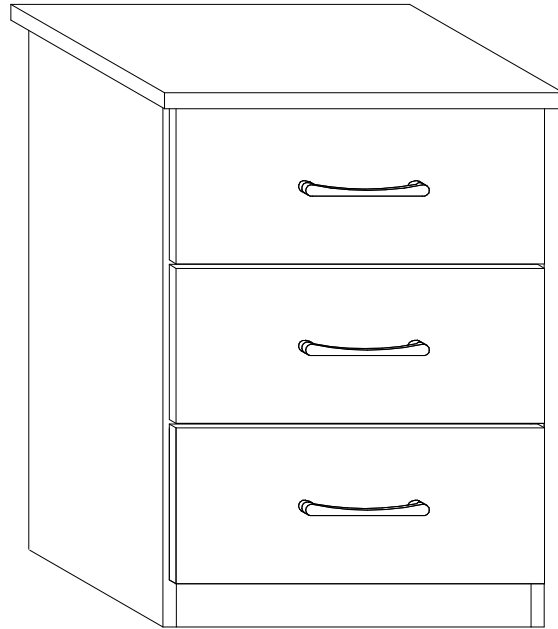
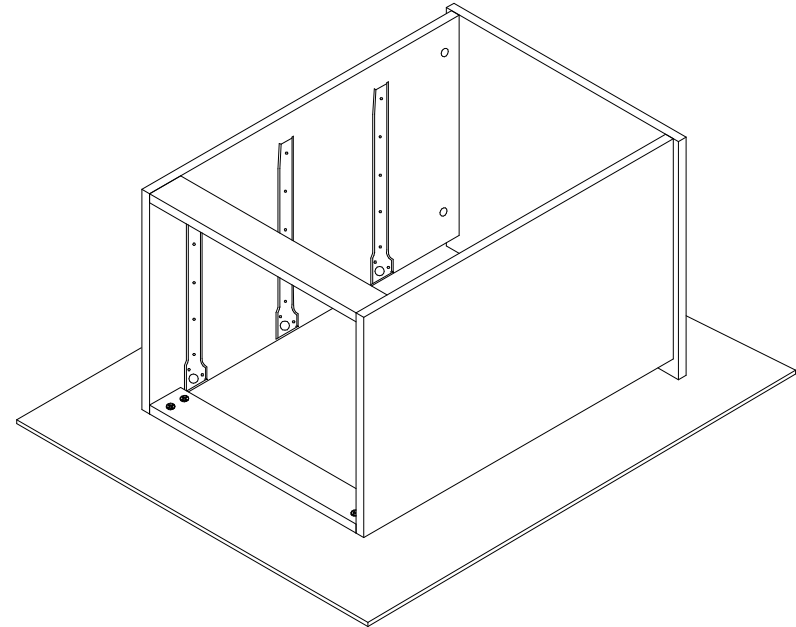
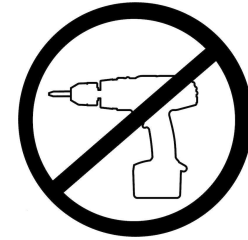
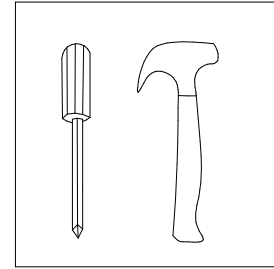


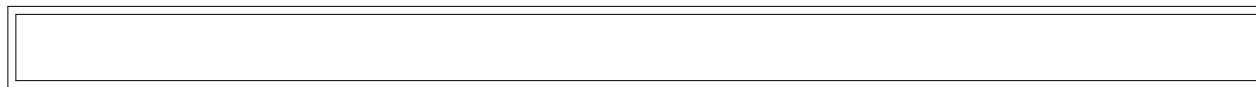
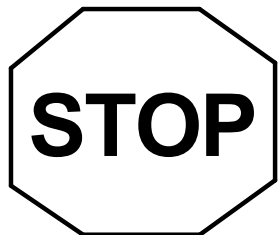
MODEL : (NIGHT STAND)



Required Tools : Screwdriver & Hammer



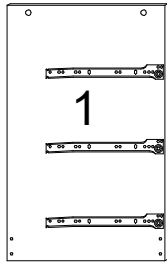
Please place on the carton while installing to prevent damage or scratches.



ASSEMBLY INSTRUCTION (PART & HARDWARE

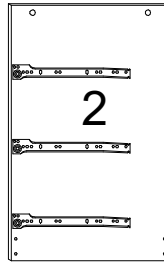
LIST) MODEL : (NIGHT STAND)

1.



SIDE PANEL (R)

2.



SIDE PANEL (L)

3.

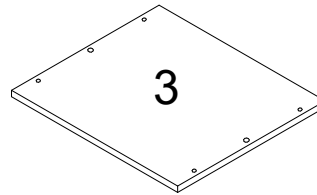
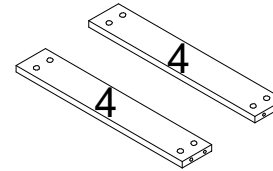


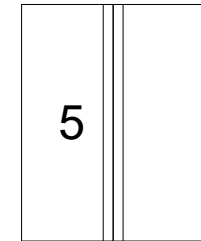
TABLE TOP

4.



FRONT & BACK APRON (2PCS)

5.



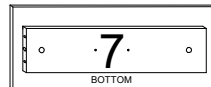
BACK PANEL

6.



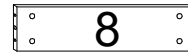
DRAWER PANEL (3PCS)

7.



DRAWER TOP (3PCS)

8.



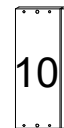
DRAWER BACK PANEL (3PCS)

9.



DRAWER SIDE PANEL R (3PCS)

10.

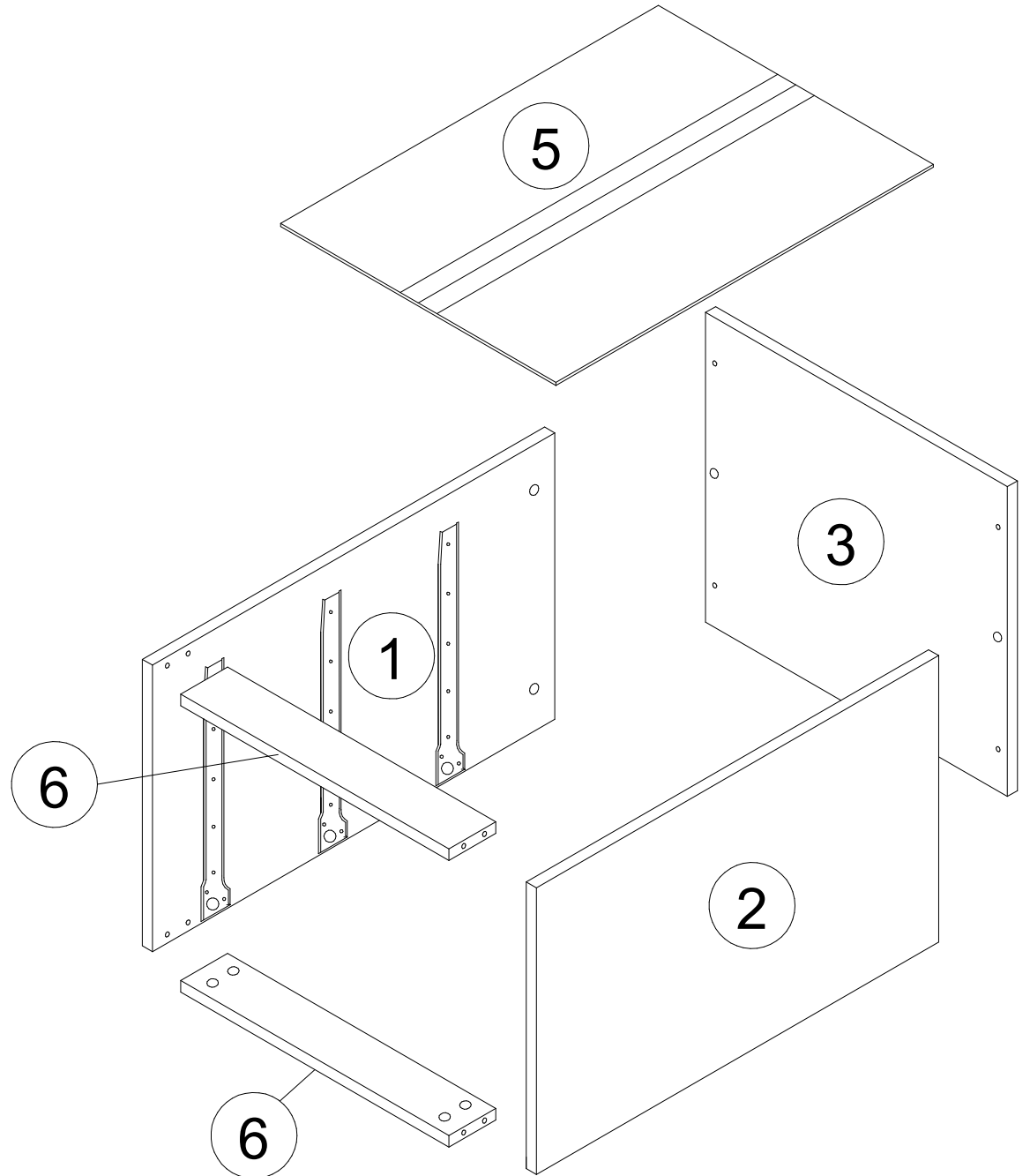
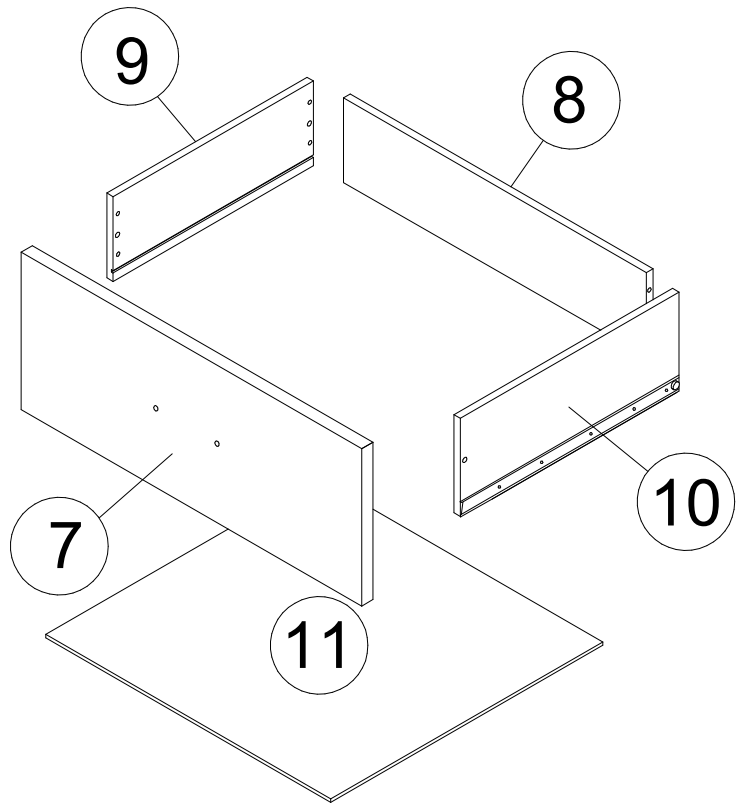


DRAWER SIDE PANEL L (3PCS)

NO	HARDWARE DESCRIPTION	QTY
A.	Plastic Handle 	3
B.	Handle Screw M4 X 40mm 	6
C.	Wood Dowel M6 X 30mm 	18
D.	JCBC Bolt M6 X 50mm 	6
E.	Nail 	24
F.	Wood Dowel M8 X 30mm 	2
G.	Allen Key 	1
H.	Cam Screw 	24
I.	Cam Lock 	24
J.	Barrel Nut M6 X 13mm 	6

*Screw Driver and Hammer Not Provided

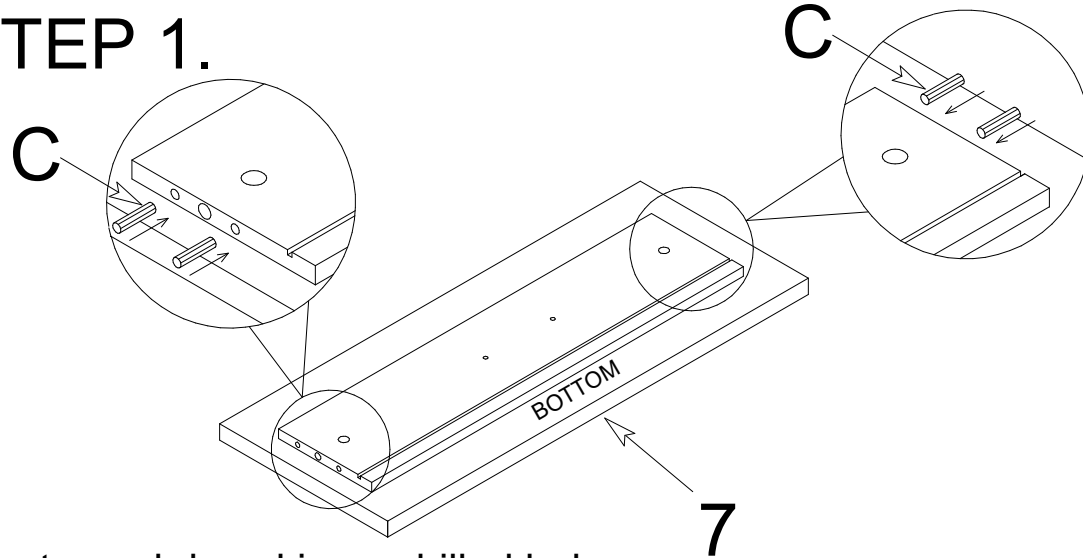
MODEL : (NIGHT STAND)



ASSEMBLY INSTRUCTION

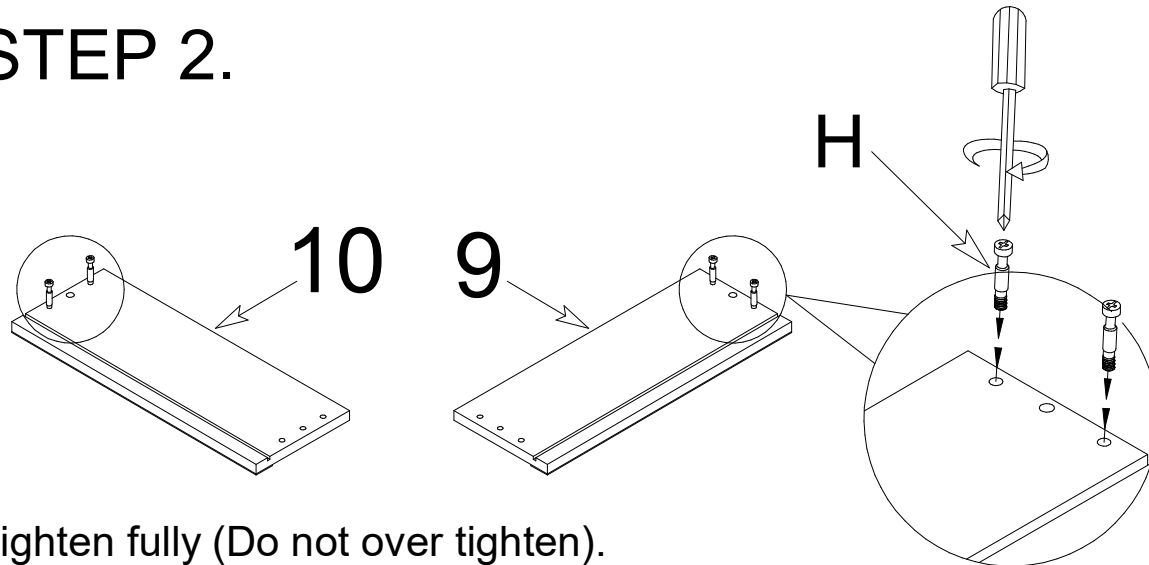
MODEL : (NIGHT STAND)

STEP 1.



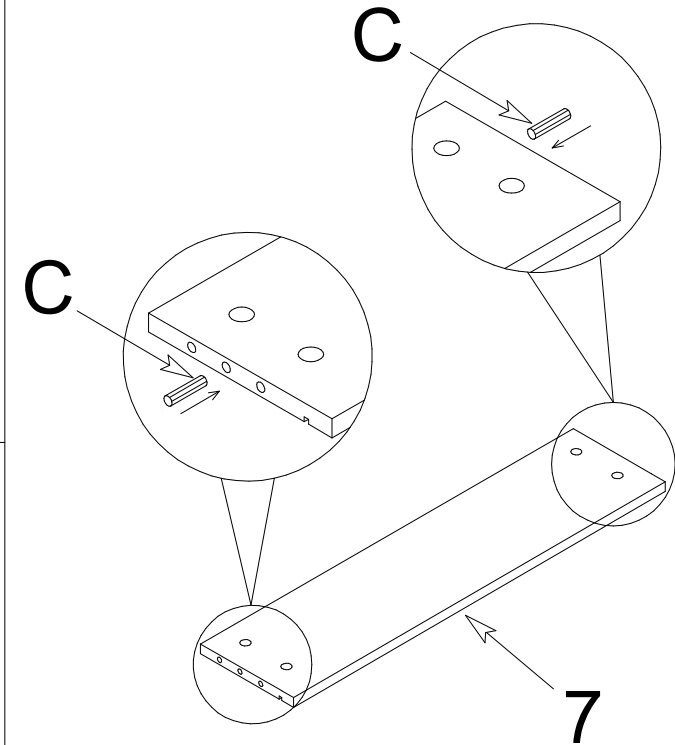
Insert wood dowel in predrilled hole.

STEP 2.



Tighten fully (Do not over tighten).

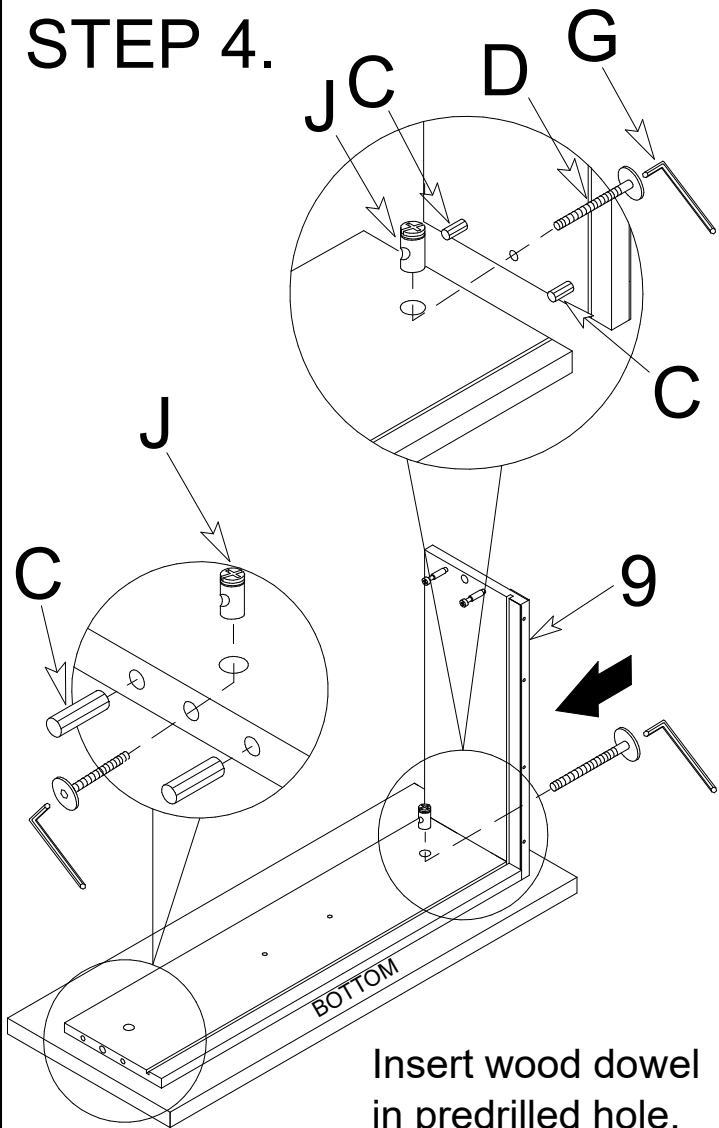
STEP 3.



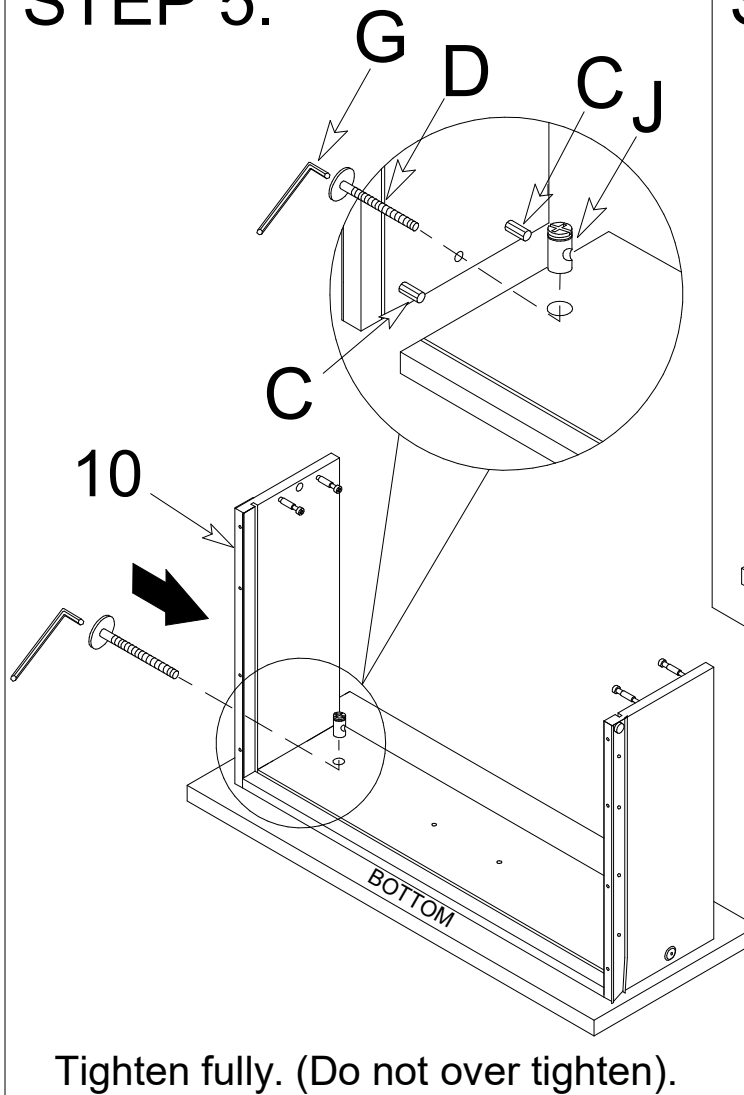
Insert wood dowel in predrilled hole.

ASSEMBLY INSTRUCTION MODEL : (NIGHT STAND)

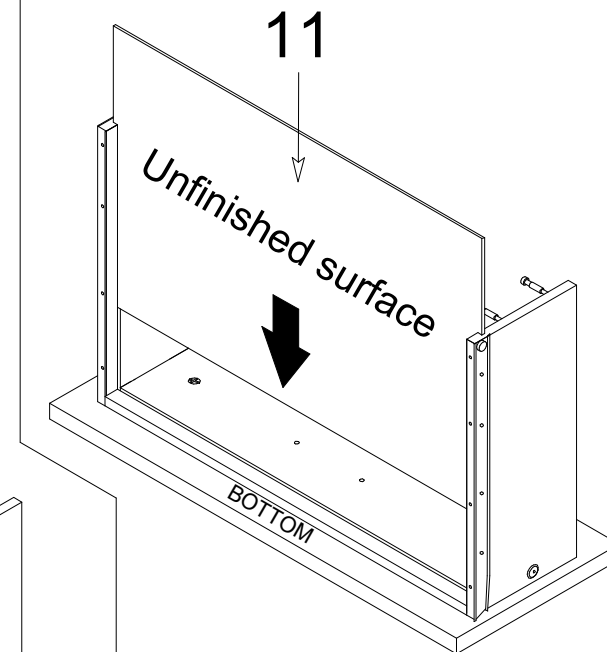
STEP 4.



STEP 5.



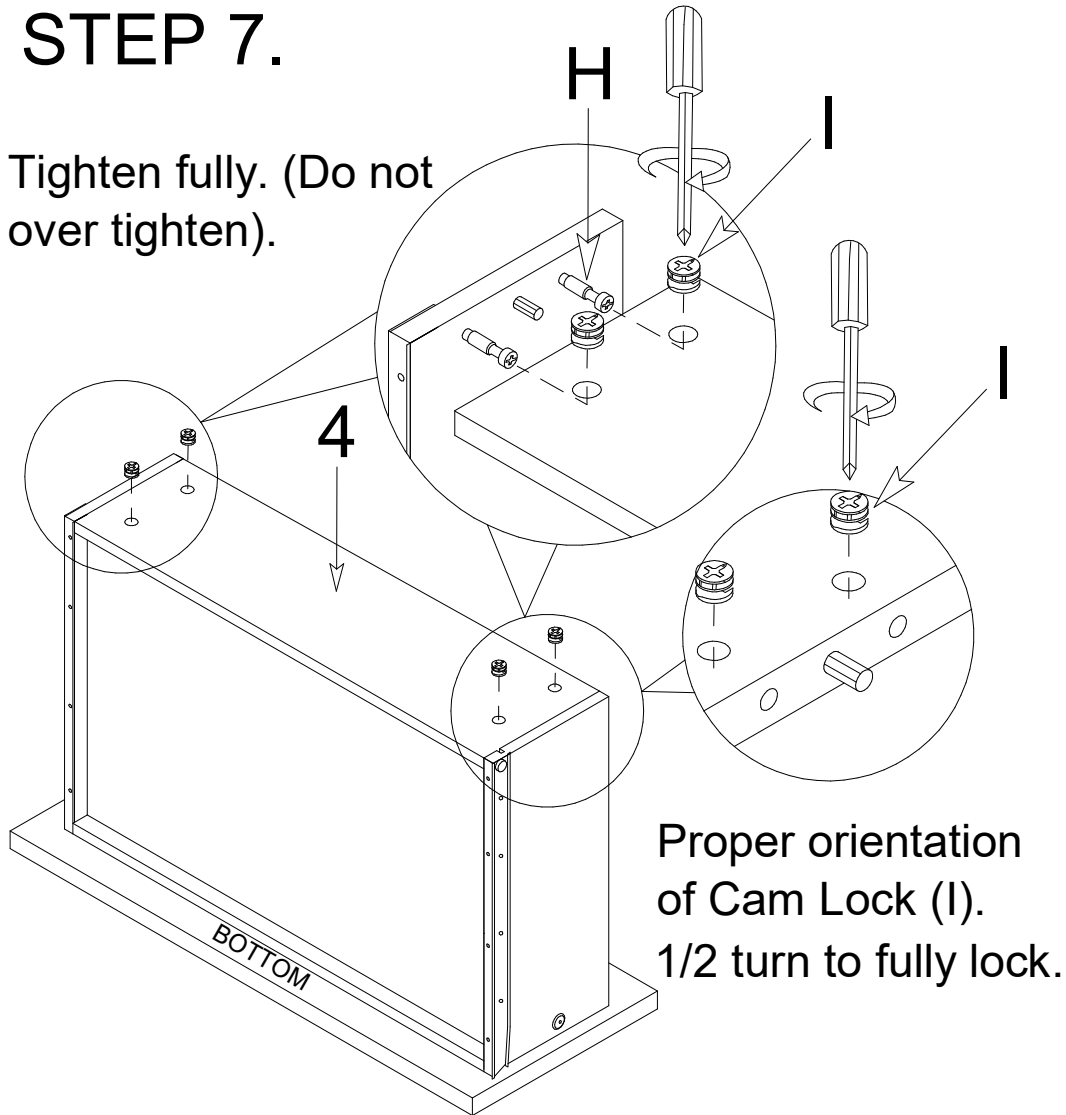
STEP 6.



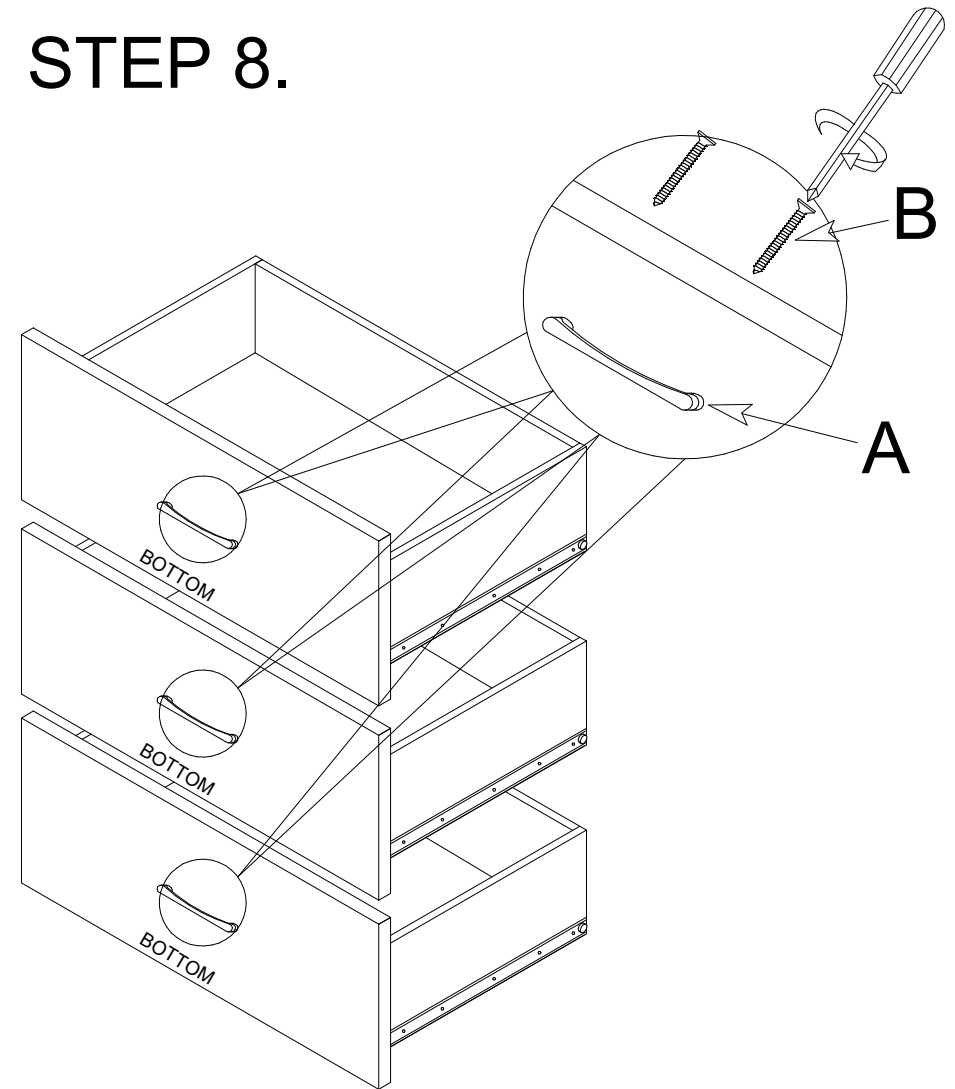
ASSEMBLY INSTRUCTION MODEL : (NIGHT STAND)

STEP 7.

Tighten fully. (Do not over tighten).



STEP 8.

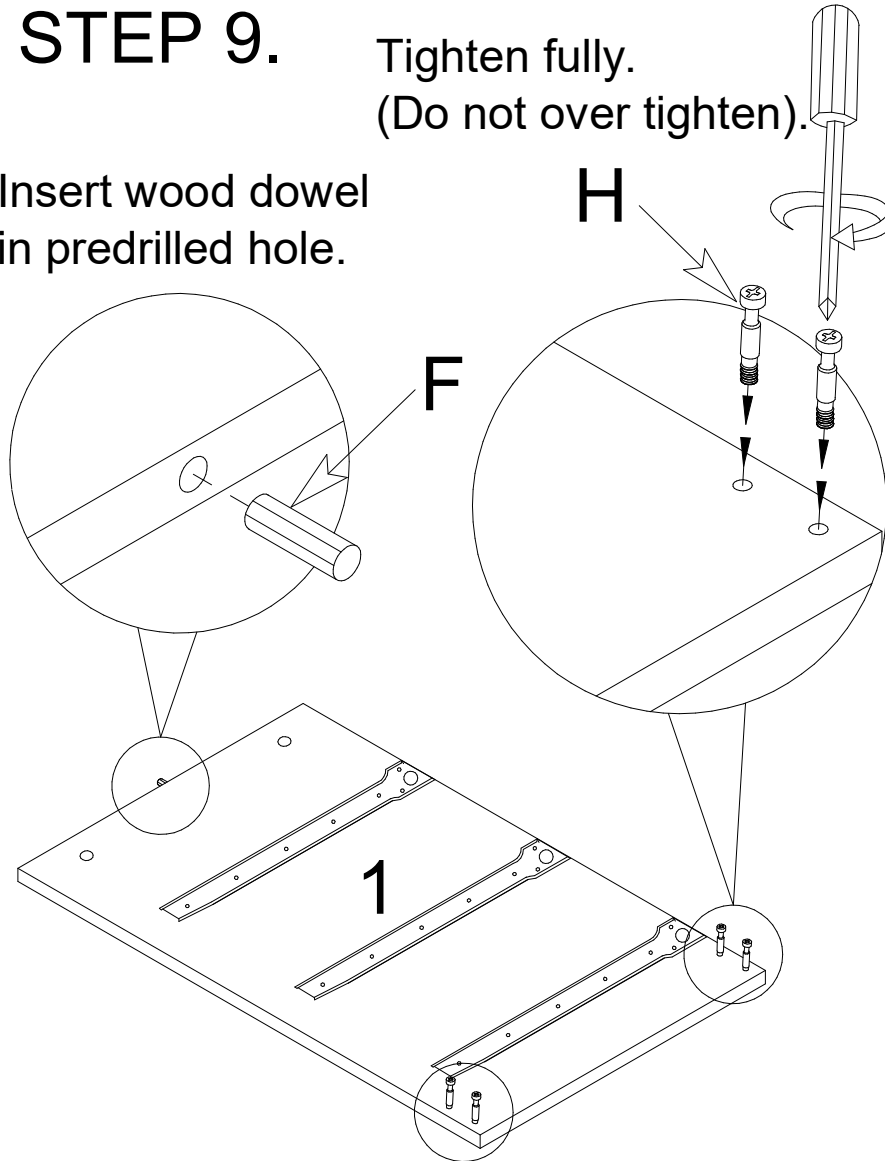


ASSEMBLY INSTRUCTION MODEL :(NIGHT STAND)

STEP 9.

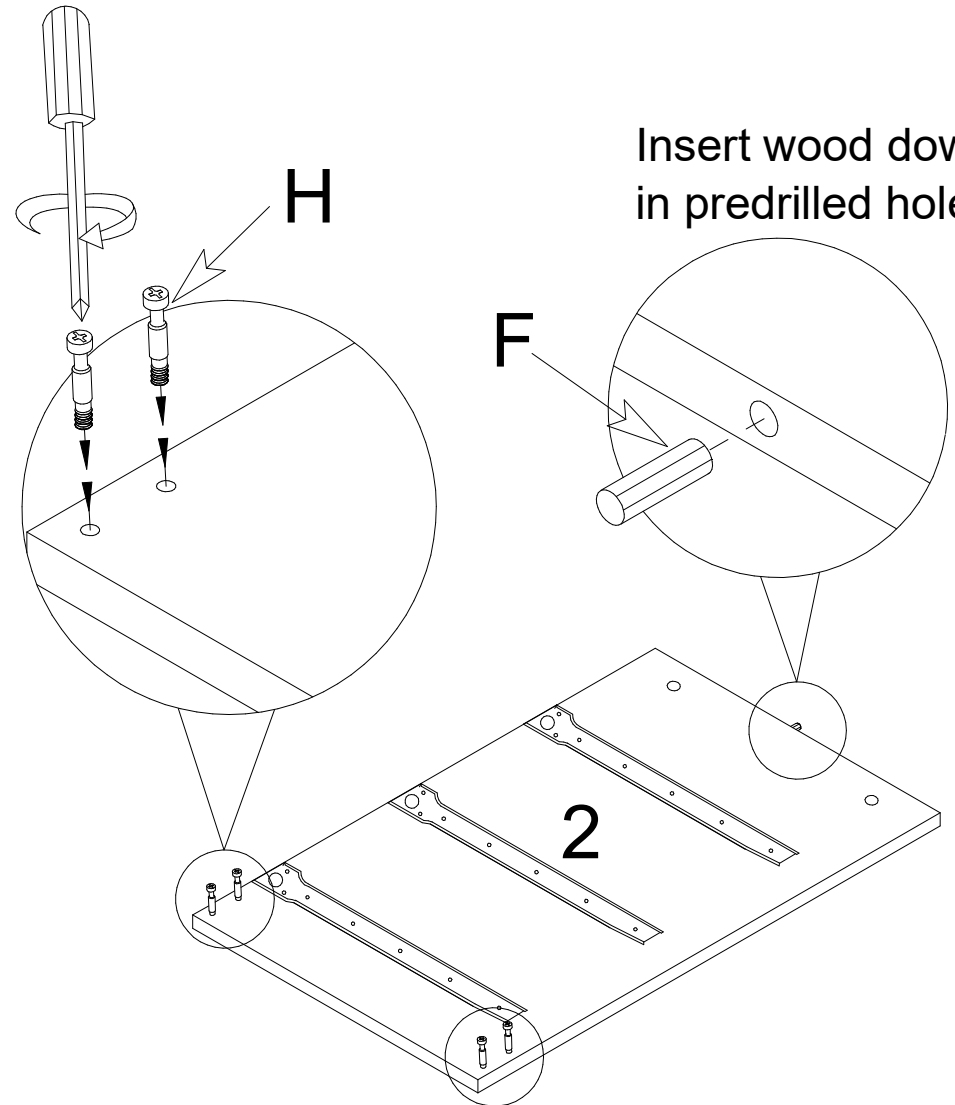
Tighten fully.
(Do not over tighten).

Insert wood dowel
in predrilled hole.



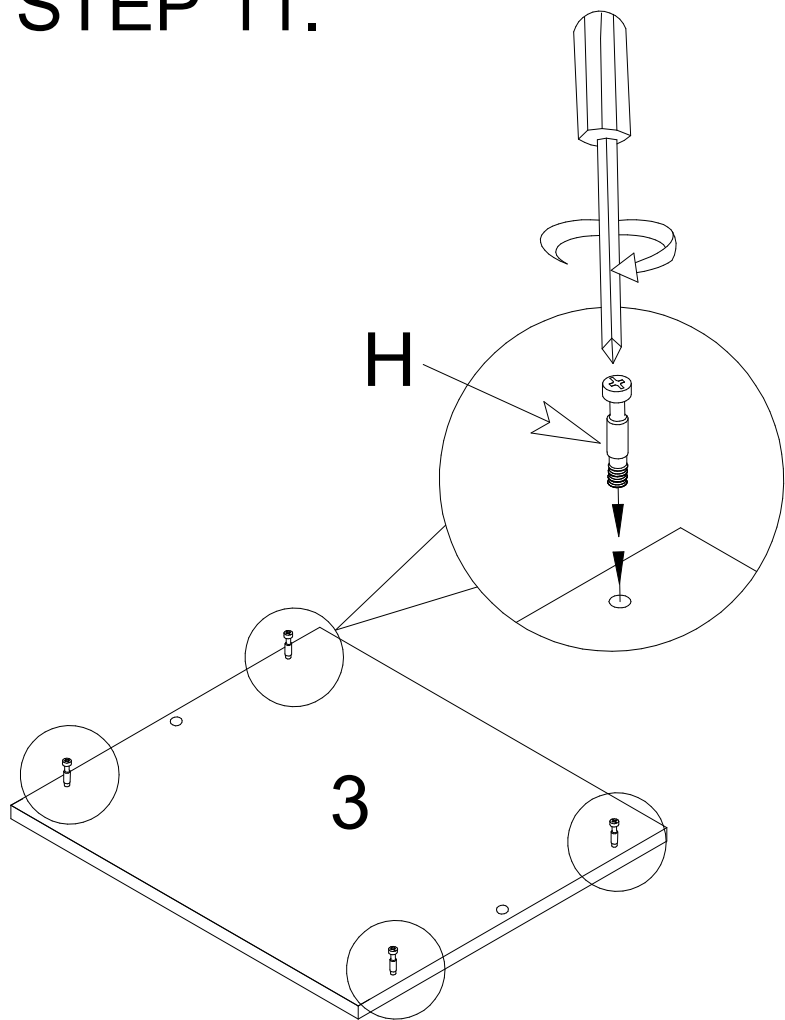
STEP 10.

Insert wood dowel
in predrilled hole.



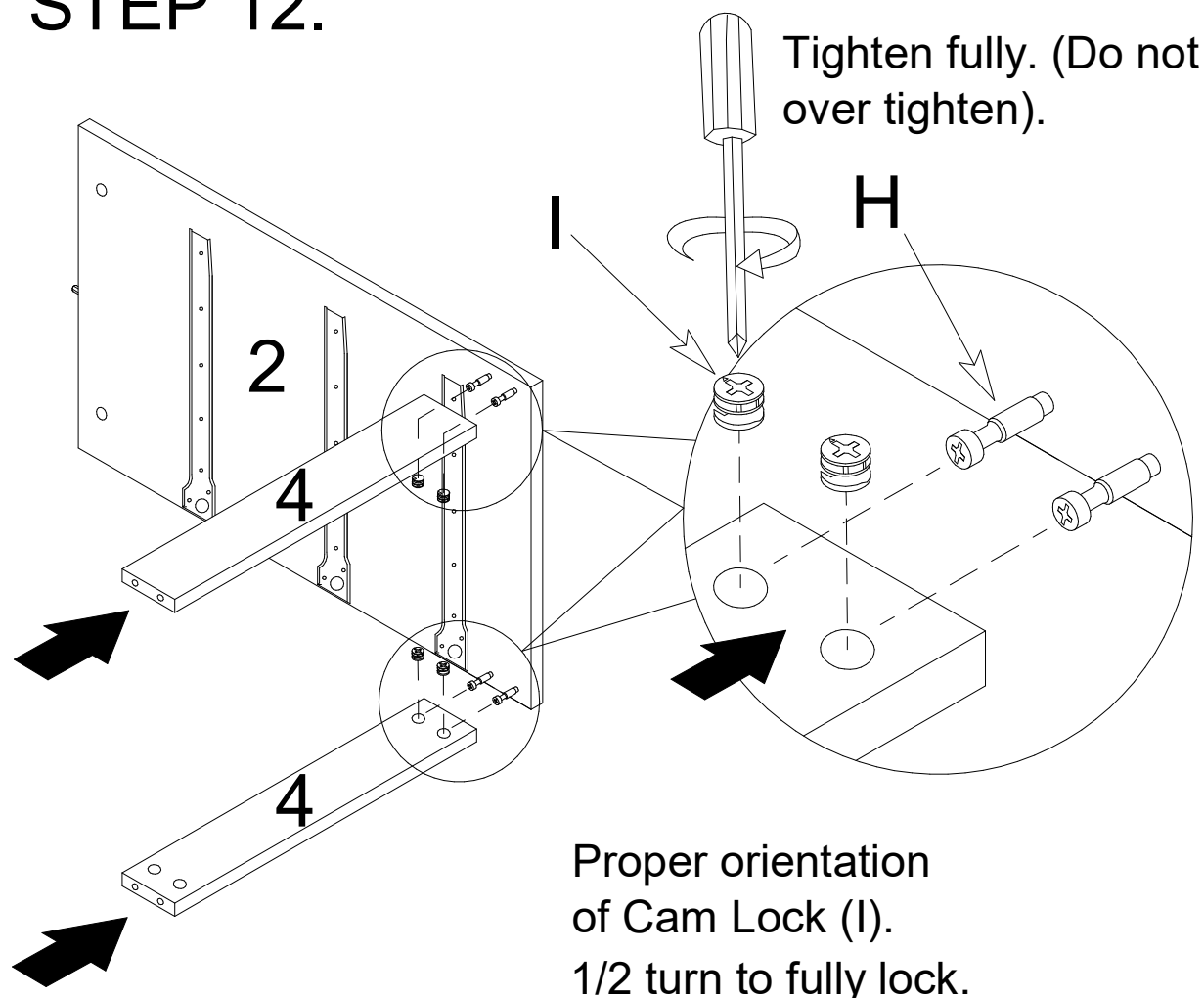
ASSEMBLY INSTRUCTION MODEL : (NIGHT STAND)

STEP 11.



Tighten fully. (Do not over tighten).

STEP 12.



Tighten fully. (Do not over tighten).

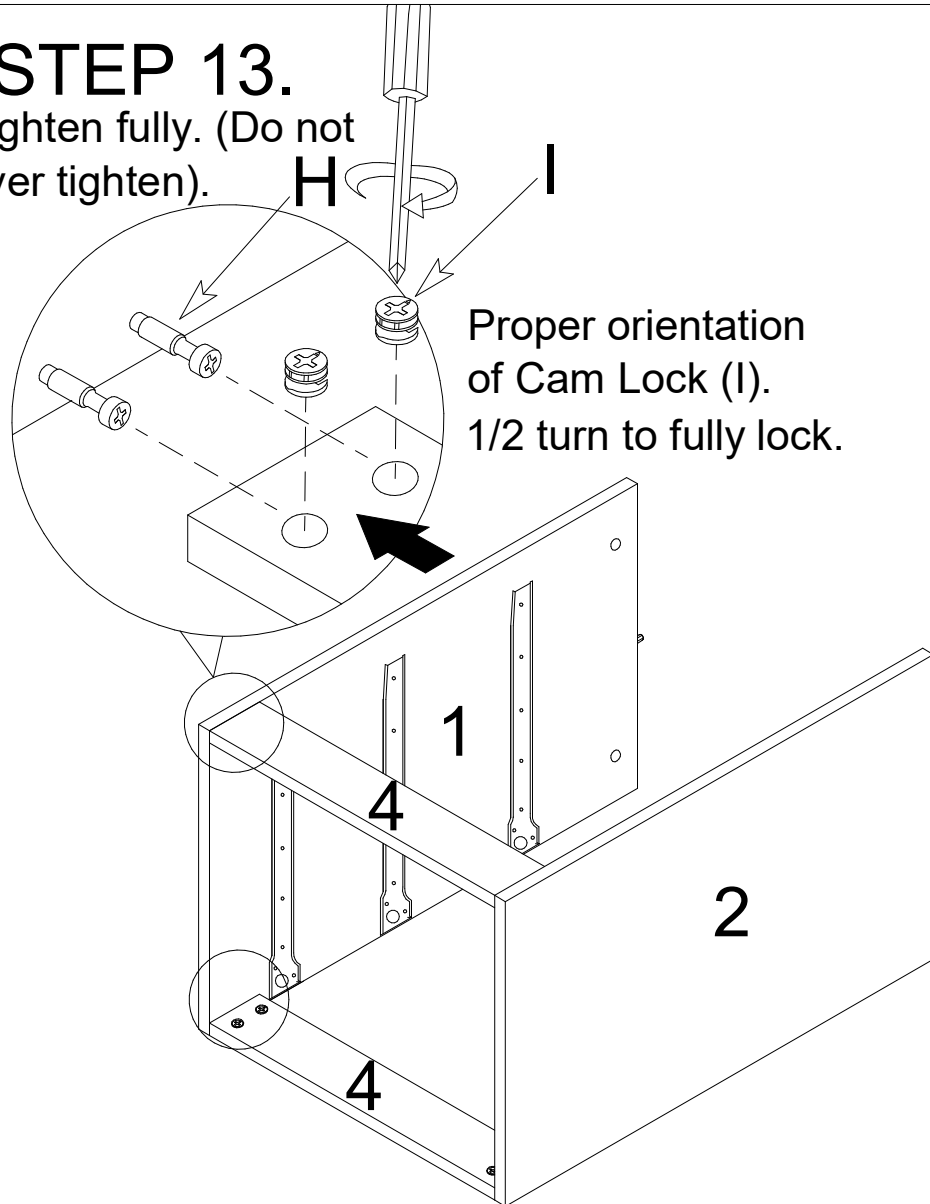
Proper orientation
of Cam Lock (I).
1/2 turn to fully lock.

ASSEMBLY INSTRUCTION

MODEL : (NIGHT STAND)

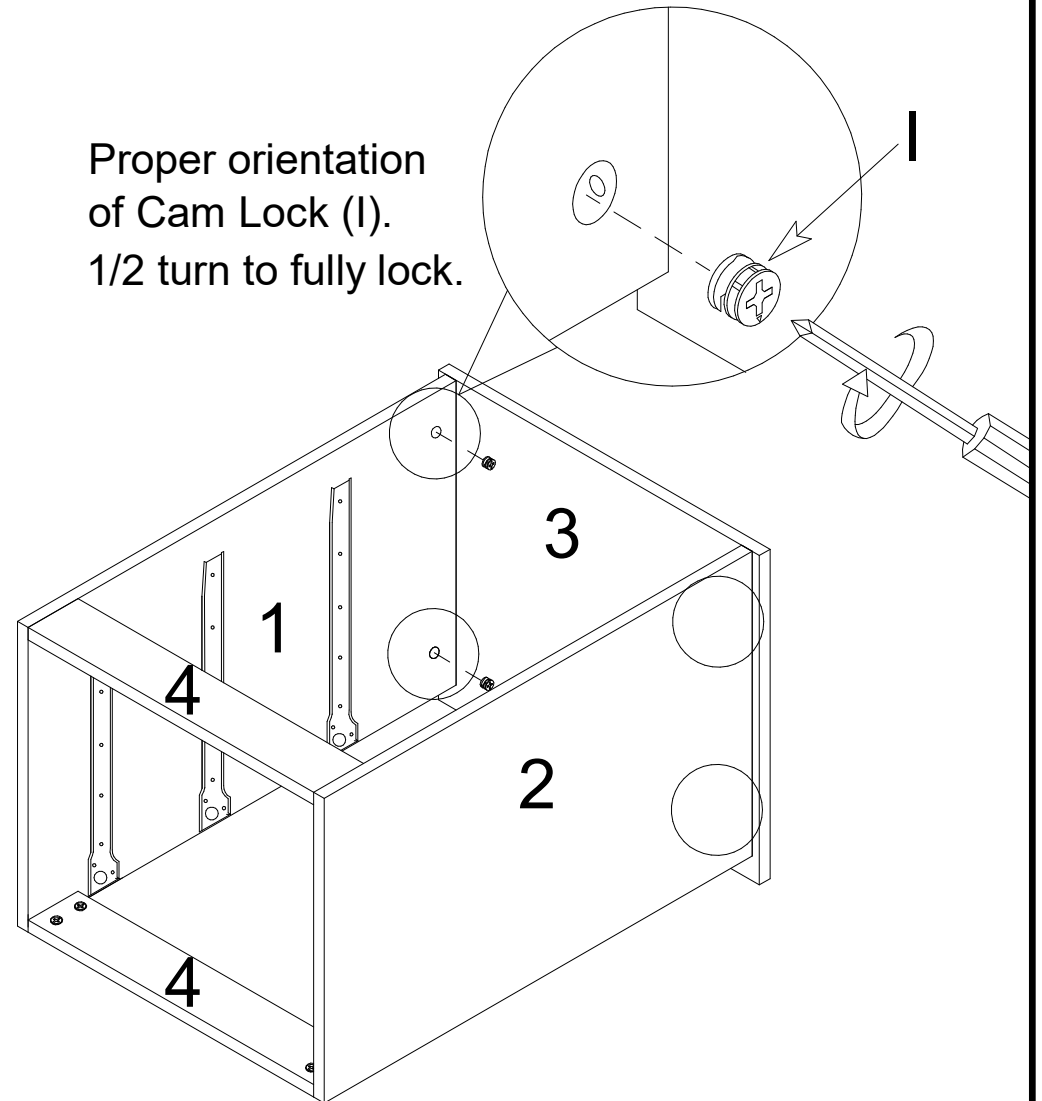
STEP 13.

Tighten fully. (Do not over tighten).



STEP 14.

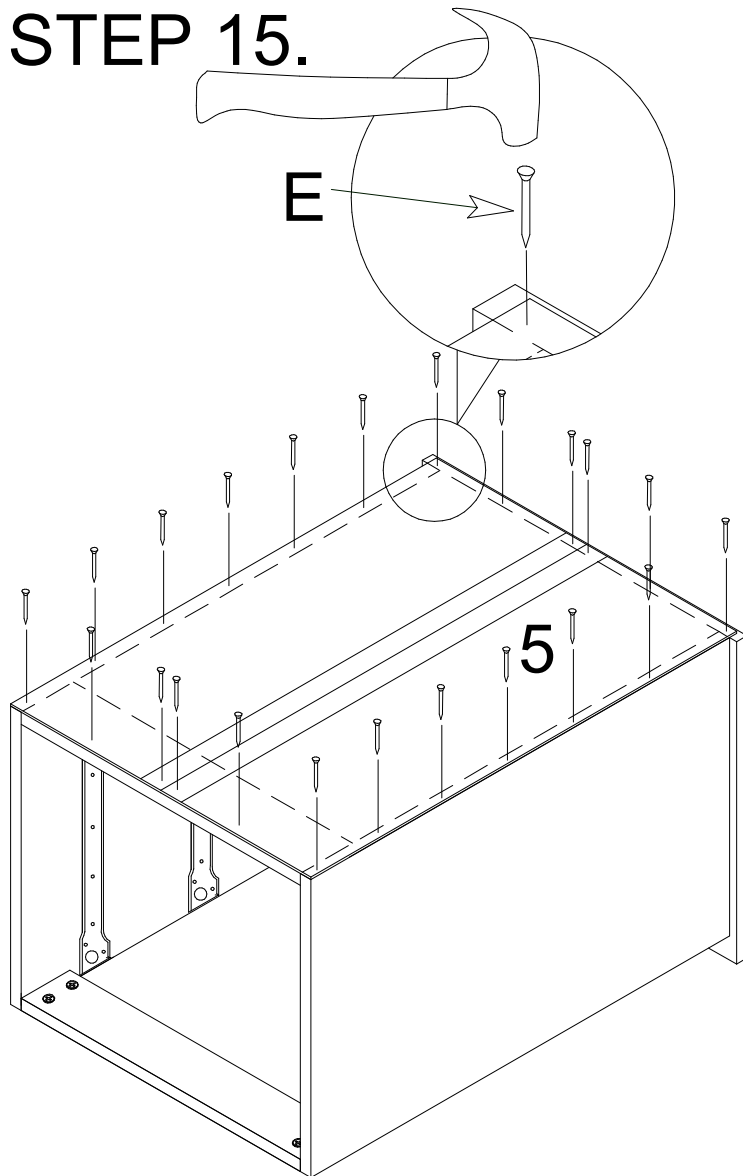
Proper orientation of Cam Lock (I).
1/2 turn to fully lock.



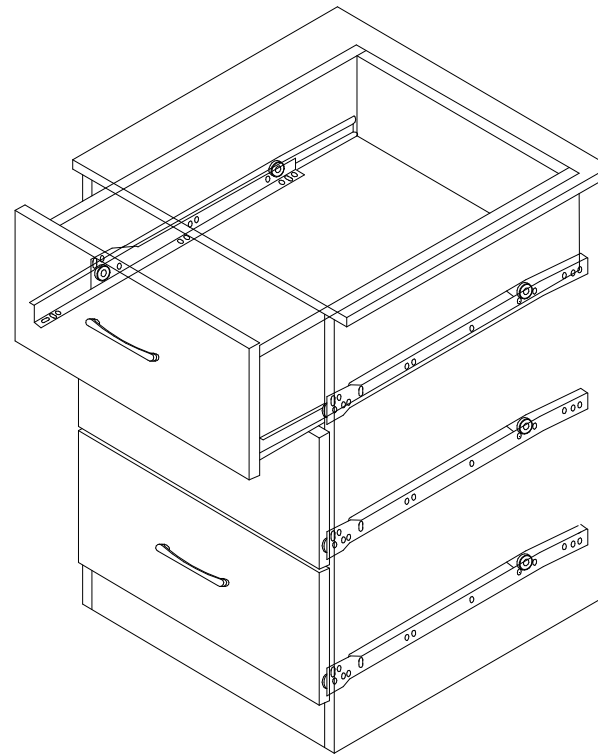
ASSEMBLY INSTRUCTION

MODEL :(NIGHT STAND)

STEP 15.



STEP 16.



Put in drawer on the track.

