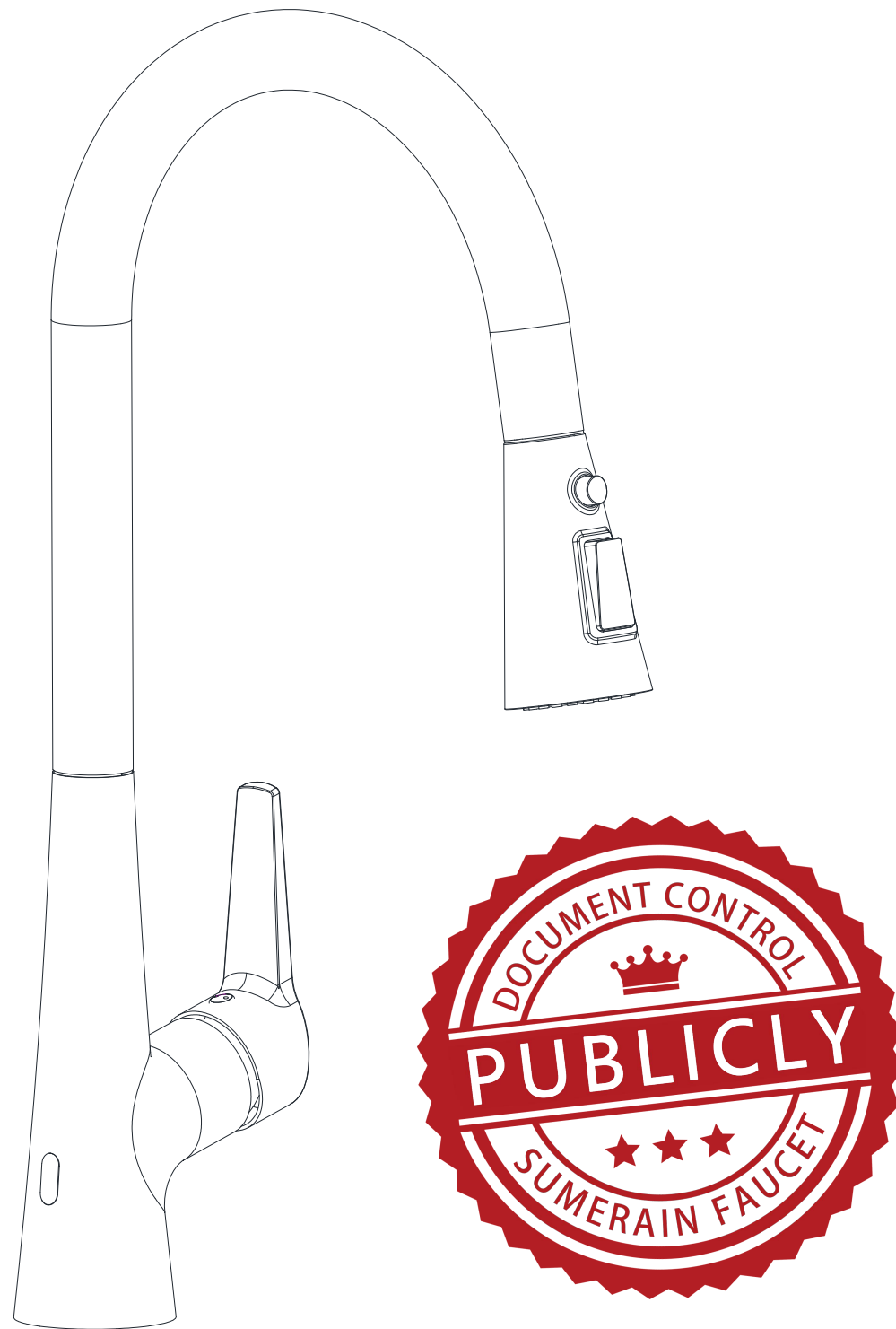


INSTALLATION GUIDE



HANDFREE PULL-DOWN KITCHEN FAUCET

MODEL	FINISH
S6135AP-CH	Chrome
S6135AP-BN	Brushed Nickel
S6135AP-MB	Matte Black
S6135AP-BG	Brushed Gold
S6135AP-MG	Matte Black and Gold

HOT LINE: +1-866-203-0866

THANK YOU

Dear Valued Customer,

Thank you for choosing SUMERAIN products. We would like to take this opportunity to express our sincere gratitude for your recent purchase. We hope you are completely satisfied with your new product. Rest assured, we meticulously engineer all SUMERAIN products and put them through rigorous factory tests to ensure their prolonged, trouble-free use under normal conditions.

Installing this product is as simple as it gets. All you need are some basic tools and our handy step-by-step illustrated guide. We wholeheartedly welcome any questions or feedback you may have. We eagerly anticipate the opportunity to assist you in the future. If you have any inquiries regarding this product, please do not hesitate to contact us at +1-866-203-0866 or email us at [support@sumerain.com](mailto:supports@sumerain.com).

Once again, we extend our gratitude for selecting SUMERAIN products. We remain committed to providing exceptional customer service.

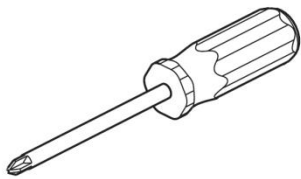
Sincerely,

SUMERAIN Customer Service Department

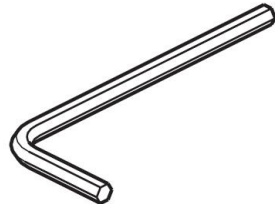
BEFORE PROCEEDING

1. Unpack your new product and verify that all components are present in the package. Until you're ready to install, it's best to keep the product in its original box.
2. Identify the water supply inlets and turn off the water supply valves. You'll typically find these valves near the water meter. If you're replacing an existing unit, make sure to remove the old one and clean the mounting surface thoroughly.
3. Adhere to all plumbing and building codes applicable in your area.
4. If you're not confident about installing the product yourself, we strongly recommend seeking help from a professional.

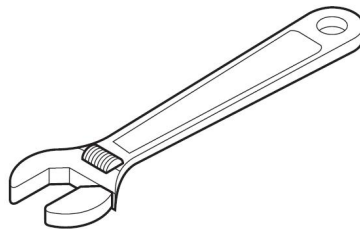
TOOLS RECOMMENDED



Philips Screwdriver



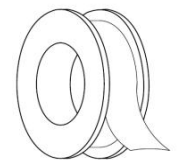
Allen Wrench



Adjustable Wrench



Channel Locks



Teflon Tape

LIMITED LIFETIME CONSUMER WARRANTY

VERSION: 140320.15.3

This product has been manufactured and tested to the highest quality standards by HONGKONG SUMERAIN SANITARY INDUSTRY Co., Limited ("SUMERAIN"). This warranty applies solely to SUMERAIN products purchased by consumers in the United States after January 1st, 2020. In the event of a faucet experiencing leaks or drips during regular usage, SUMERAIN will provide the necessary faucet cartridge to the purchaser, free of charge, in order to restore the faucet to proper working condition. If any defects are identified during normal residential use, SUMERAIN will, at its discretion, perform repairs, provide replacement parts or products, or make appropriate adjustments to ensure the product's optimal functionality.

WHO IS COVERED BY THE WARRANTY

This warranty provides exclusive coverage to the original consumer purchaser, including those who have made purchases through online retail platforms. However, online retail customers who are specifically covered by the "Online CONSUMER Limited Lifetime WARRANTY & Return policy" are also included. Please note that this warranty is non-transferable and cannot be assigned to any other party.

WHAT IS COVERED BY THE WARRANTY

This warranty is applicable only to the SUMERAIN manufactured product that you have purchased. SUMERAIN provides the following warranty against defects in material or workmanship: under normal installation, use, service, and maintenance, if the product or any of its components prove to be defective due to improper workmanship or materials, SUMERAIN will, at its discretion, provide free replacement parts or replace the entire product.

FINISH WARRANTY

Customers are responsible for thoroughly inspecting the product for any material or finish defects within three days of receiving it. Please note that SUMERAIN does not cover surface finish defects under warranty once the fixture has been installed.

ELECTRONIC FAUCETS WARRANTY

SUMERAIN guarantees its LED components, including electronic faucets, valves, controllers, and battery-powered devices, against material and manufacturing defects for one year from the date of purchase, under normal use. The water flow impeller power device (LED faucet power generation device) is guaranteed to be free from manufacturing defects for the first three months from the date of purchase.

LENGTH OF WARRANTY

As stated in the following, any replacement or repaired parts of the product will be covered for the duration of this warranty, which SUMERAIN provides for a period of 1 year from the original date of purchase.

CIRCUMSTANCES THAT SUMERAIN WILL NOT WARRANT AND PAY FOR:

- A. Conditions, malfunctions, or damage that do not result from defects in material or workmanship.
- B. Conditions, malfunctions, or damage resulting from normal wear and tear, improper installation, improper maintenance, misuse, abuse, negligence, accidents, alterations, or the use of abrasive or caustic cleaning agents, "no-rinse" cleaning products, or the product in a manner contrary to the provided instructions. This includes home conditions such as excessive water pressure or corrosion.
- C. Labor or other expenses associated with disconnection, deinstallation, or return of the product for warranty service, as well as installation or reinstallation of the product.
- D. Accessories, connected materials, and products (including but not limited to hand shower flexible hose, spray flexible hose, handshower, shower head), or related products that are not manufactured by SUMERAIN.

TO OBTAIN WARRANTY PARTS OR INFORMATION

To obtain warranty parts or information professionally, please follow the steps below:

Contact your SUMERAIN retailer or dial the technical service phone number at +1-866-203-0866, or send an email to supports@sumerain.com.

When applying for warranty service, you will need to provide the following information:

- a. Sales receipt or other evidence of purchase date and platform.
- b. Detailed description of the problem.
- c. Ship the product or defective parts to the designated SUMERAIN warehouse in the United States with prepaid postage. Please ensure careful packaging and insurance of the items. Once the warranty service is completed, any repaired or replaced products or parts will be shipped back to you with prepaid postage.

If you have any further questions or need additional assistance, please contact the provided contact information.

EXCLUSIONS & LIMITATIONS

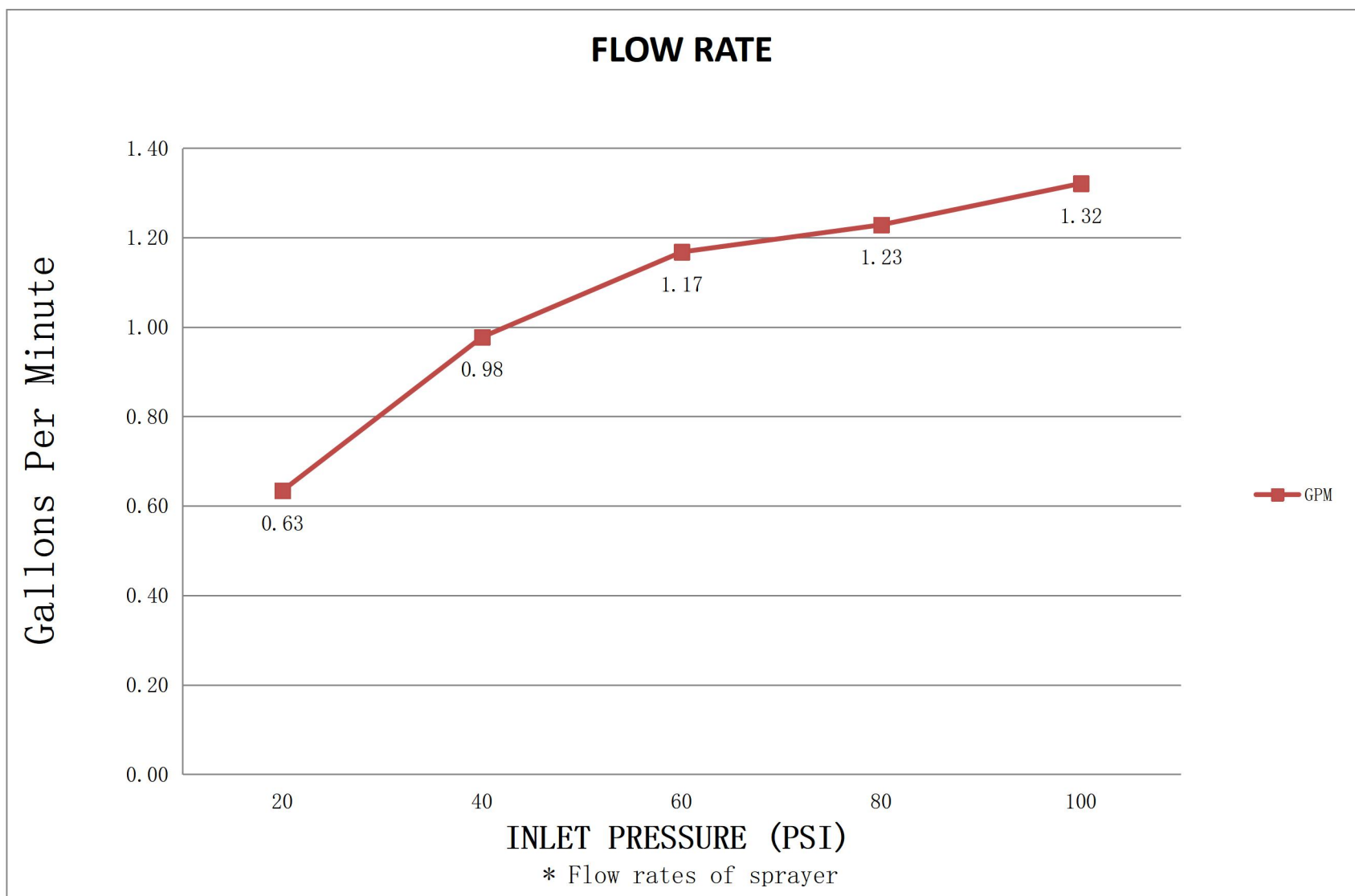
Pursuant to the terms of this warranty, repair, replacement (or, in limited circumstances, refund of the purchase price) shall be the sole remedy available to the purchaser. SUMERAIN assumes no obligations or liabilities and does not authorize any individual to create obligations or liabilities in relation to this product. SUMERAIN shall not be held liable to the purchaser or any party for any incidental, special, or consequential damages resulting from a breach of this warranty or any implied warranties (including merchantability). Please note that certain states do not allow the exclusion or limitation of incidental or consequential damages, therefore the aforementioned limitation or exclusion may not apply to you. This warranty grants you specific legal rights, and you may also have additional rights that vary from state to state. Before initiating any legal proceedings against us under the Magnuson-Moss Warranty Act, you may be legally required to provide us with a reasonable opportunity to rectify or resolve any non-compliance.

PRODUCT INSTRUCTIONS & QUESTIONS

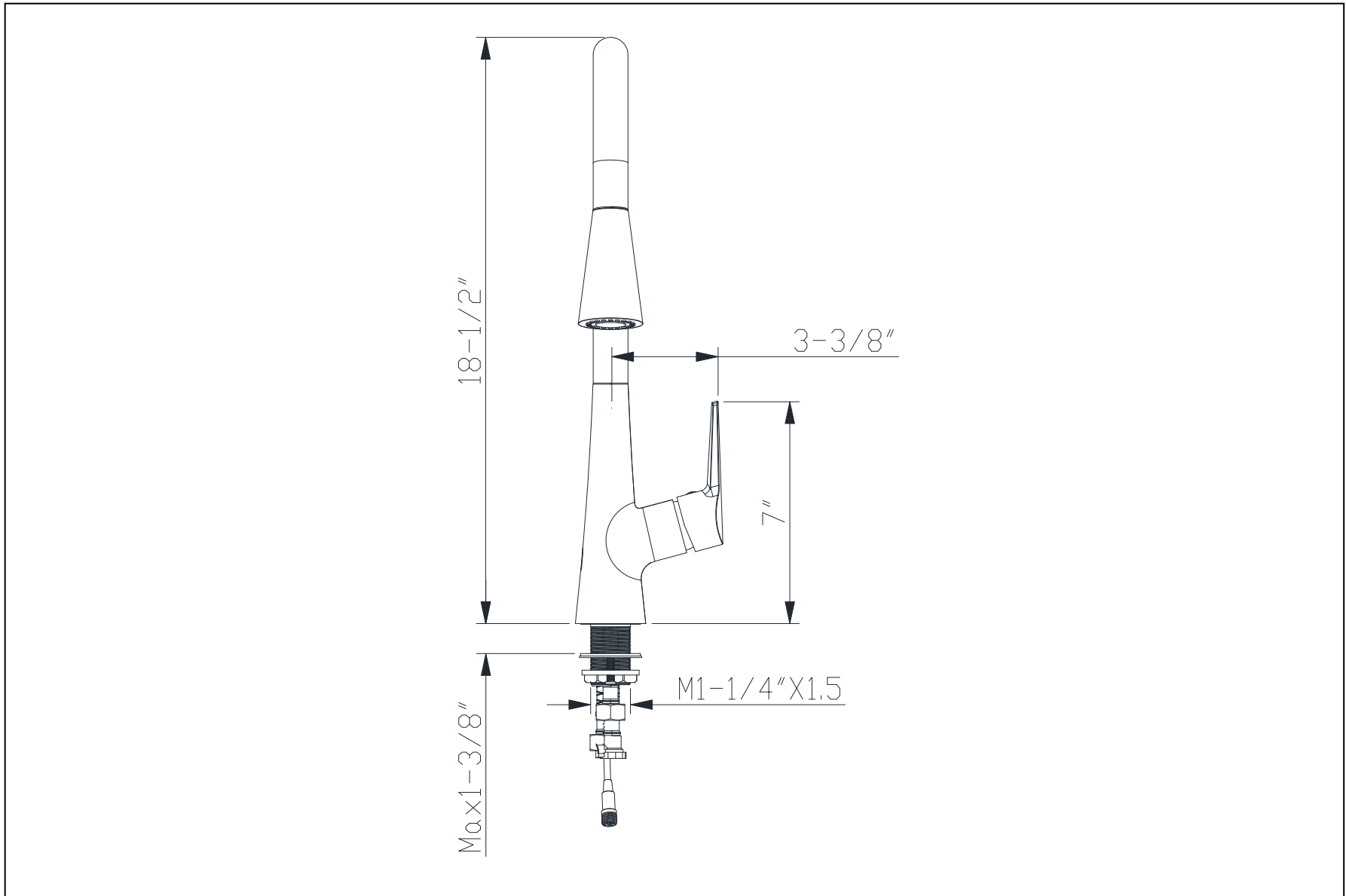
Prior to installation, we strongly recommend conducting a meticulous inspection of your SUMERAIN product to identify any potential damage or visible defects. It is crucial to thoroughly review the accompanying instructions regarding the correct installation, maintenance, and care procedures for the product. Should you have any inquiries regarding the utilization, installation, performance, or this warranty of your SUMERAIN product, please don't hesitate to reach out to us at +1-866-2030-866 or via email at supports@sumerain.com. Our dedicated team is readily available to provide professional assistance and address any concerns you may have.

FUNCTIONS & SPECIFICATIONS

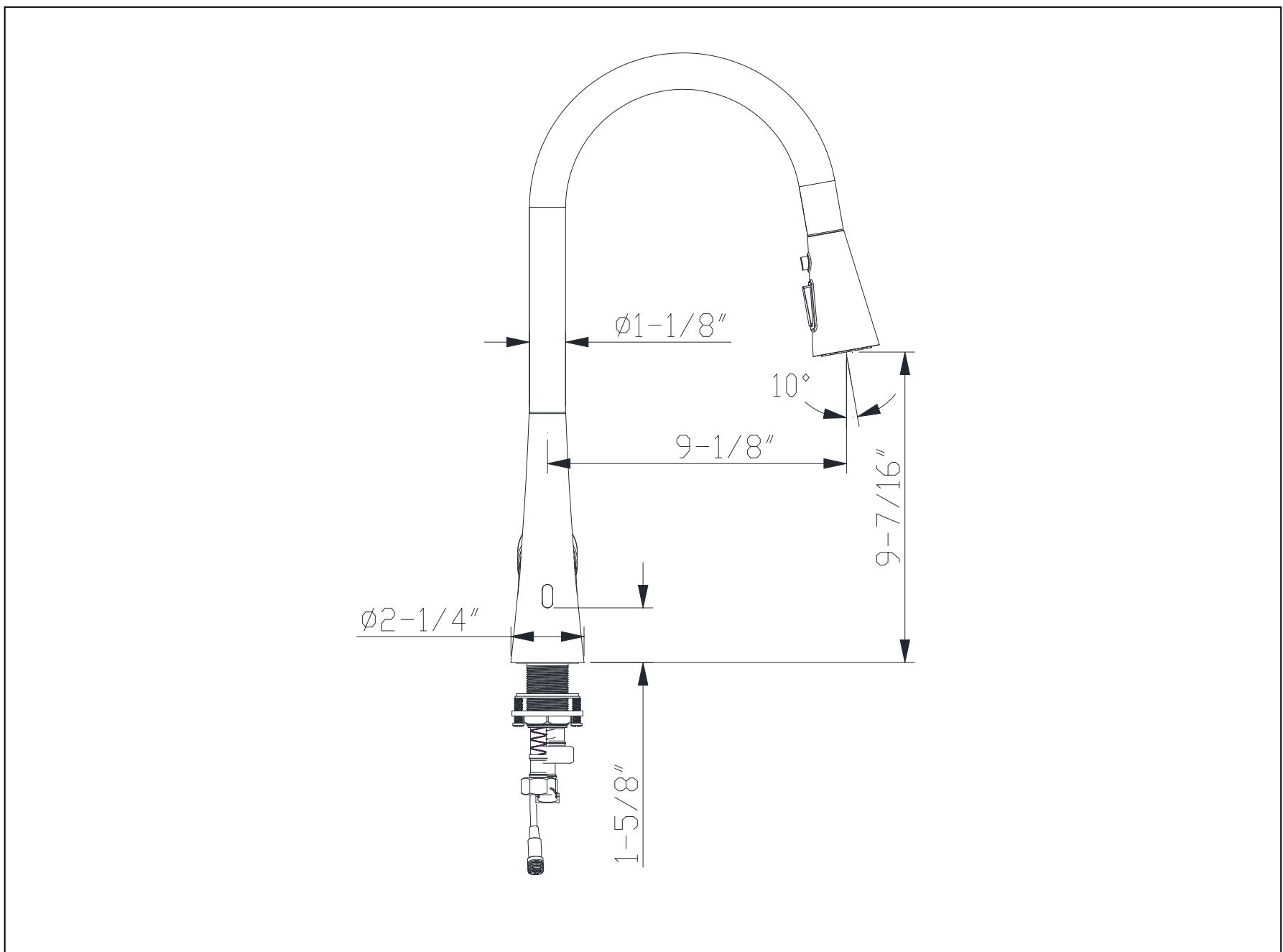
Faucet Type	Hand Free Kitchen Faucet
Feature	Electronic, Touchless, Pull-Down Spray
Theme	Modern, Contemporary
Finish	Chrome/Brushed Nickel/Brushed Gold/Matte Black/Matte Black and Gold
Number Of Faucet Holes	One
Handle Style	Lever
Pullout Spray	Yes
Pullout Direction	Down
Hands-Free Technology	Yes
Sensor Technology	IR
Mounting Hole	Single Hole
Number Of Handles	One
Material	Zinc and Brass
Valve Type	35# Ceramic Disc
Height	18-1/2 Inch
Spout Reach	9-1/8 Inch
Spout Height	9-7/16 Inch
Cartridge	Ceramic Disc Valve
Installation Type	Deck Mounted
Spout Type	Swivel
Spout Swivel	360°
Net Weight	4.85 lbs
Gross Weight	6.17lbs
Working Water Pressure	29 ~ 145 PSI
Flow Rate	1.8GPM@60PSI
Packing Box Size	24-3/16 Inch x 11-1/4 Inch x 3-1/8 Inch



DIMENSION



FRONT VIEW



LEFT VIEW

INSTALLATION STEPS

1. BEFORE PROCEEDING



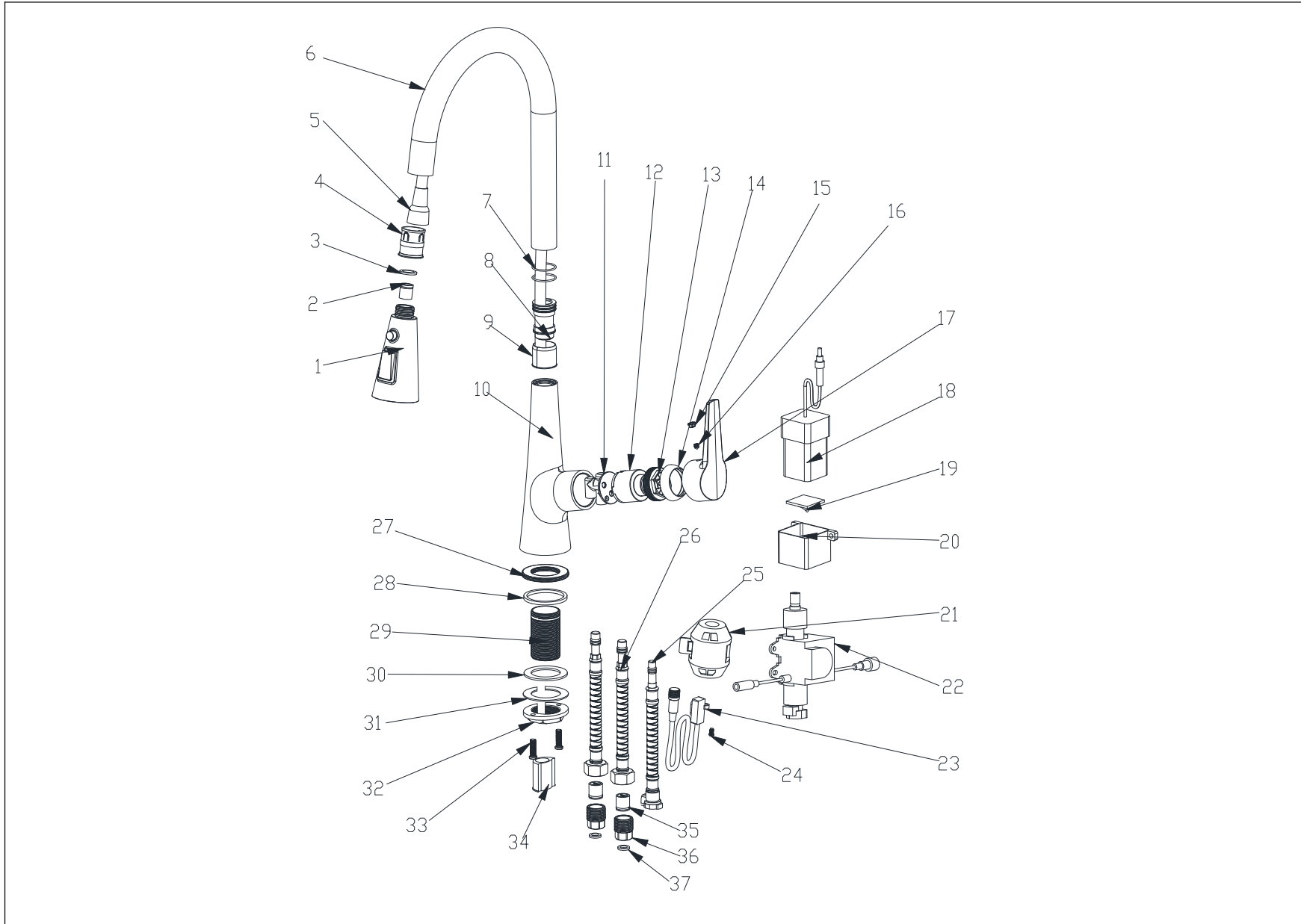
WARNING: Before proceeding with any operation, please read all instructions thoroughly. If you are uncertain about installing this product, please consult a professional! This product should be installed in accordance with all local and state plumbing and building codes. It is recommended to seek professional assistance.

2. SHUT OFF WATER SUPPLY

Locate the water supply inlets and shut off the corresponding water supply valves, typically found near the water meter. If replacing an existing unit, remove the old unit and thoroughly clean the mounting surface.

3. CHECK THE COMPONENTS OF THE BOX

Upon opening the box, check to ensure that all the following items are included.

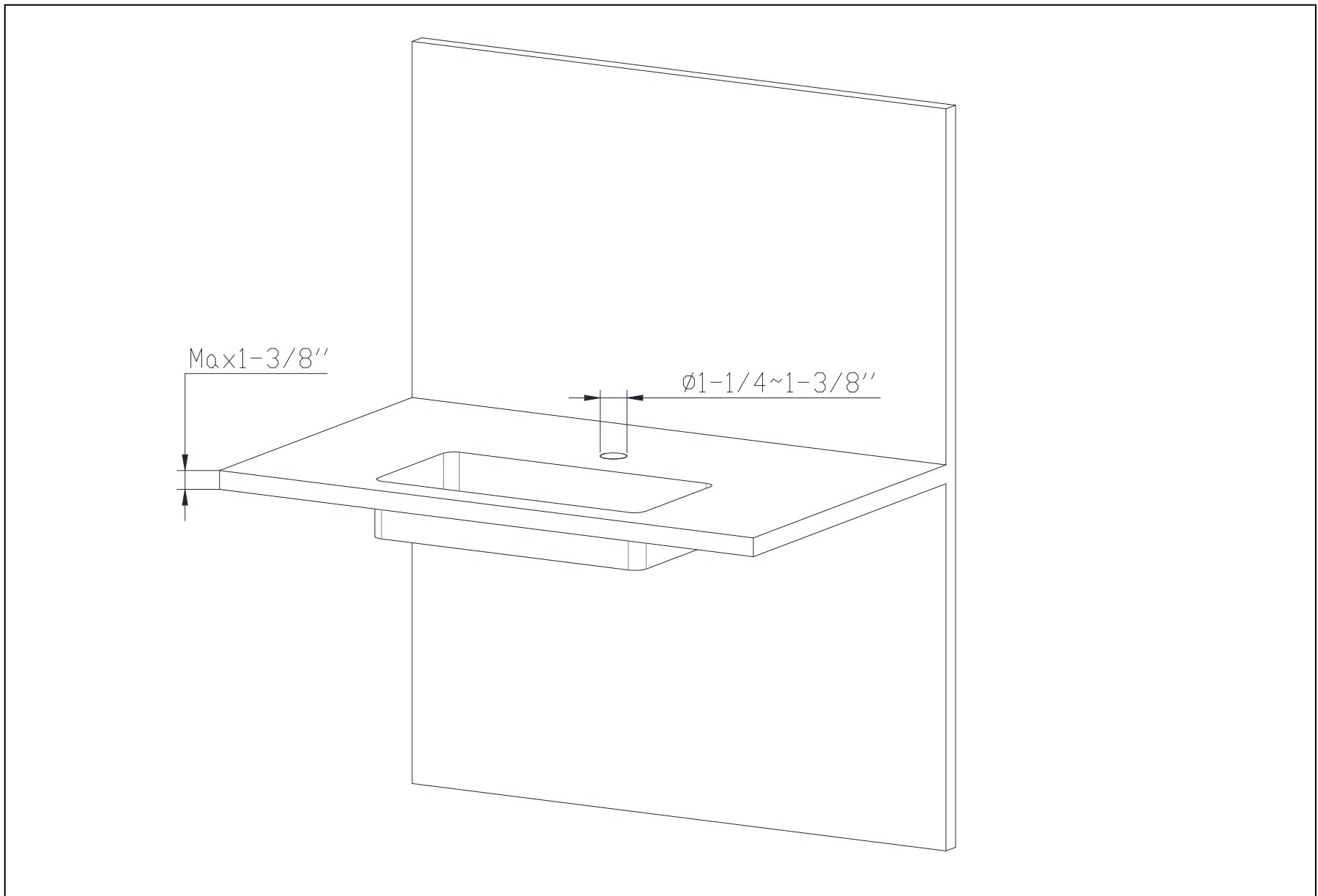


NO	ITEM NAME	MATERIAL	QTY	PART NO.	NO	ITEM NAME	MATERIAL	QTY	PART NO.
1	Sprayer	ASSEMBLE	1	PHS61350XX	20	Battery Holder Bracket	POM	1	PSA61351XX
2	Flow Restrictor	ASSEMBLE	1	PAE00043XX	21	Weight Kit	ASSEMBLE	1	PSA61190XX
3	Rubber Washer	NBR	1	PRW19020XX	22	Solenoid Control Box	ASSEMBLE	1	PSA61352XX
4	Spray Retainer	ABS	1	PSA61355XX	23	Integrated IR Sensor	ASSEMBLE	1	PSA61354XX
5	Spray Hose	ASSEMBLE	1	PFH00011XX	24	Set Screw	SUS304	1	PSC04012XX
6	Spout Assembly	SUS304	1	PPI61350XX	25	Hose Assembly	ASSEMBLE	1	PFH00040XX
7	O-Ring	NBR	2	POR27015XX	26	Supply Hose	ASSEMBLE	2	PFH00041XX
8	Swivel Joint	SUS304	1	PCN61350XX	27	Base	HPB59-1	1	PEC61351XX
9	Retainer	POM	1	PSA61353XX	28	Rubber Washer	NBR	1	PRW48413XX
10	Faucet Body	Zn Alloy No.3	1	PVB61350XX	29	Shank	SUS304	1	PNT00010XX
11	Cartridge Base	SUS304	1	PEC61350XX	30	Rubber Washer	NBR	1	PRW48322XX
12	35# Cartridge	ASSEMBLE	1	PCT35004XX	31	Metal Washer	SUS304	1	PRW50402XX
13	Bonnet	HPB59-1	1	PSC37125XX	32	Lock Nut	SUS304	1	PNT00037XX
14	Flange	HPB59-1	1	PFC37125XX	33	Set Screw	SUS304	2	PSC00001XX
15	Screw Cover	ABS	1	PSA00002XX	34	Hose Guide	POM	1	PSA00031XX
16	Set Screw	SUS304	1	PSC05051XX	35	General Check Valves	ASSEMBLE	2	PAE00049XX
17	Handle	Zn Alloy No.3	1	PHD61350XX	36	9/16 to 1/2 Connector	HPB59-1	2	PCN61351XX
18	Battery Holder	ASSEMBLE	1	PSA61350XX	37	Flat Mat	NBR	2	PRW13820XX
19	Double-sided Tape	ASSEMBLE	1	PSA61356XX					

If any of these items are missing, please contact SUMERAIN consumer service by email to: supports@sumerain.com

4. INSTALLATION HOLES INSPECTION

Please verify the installation hole size is accurate with a recommended mounting hole diameter of 1-1/4 inch and a maximum deck mount thickness of 1-3/8 inch.

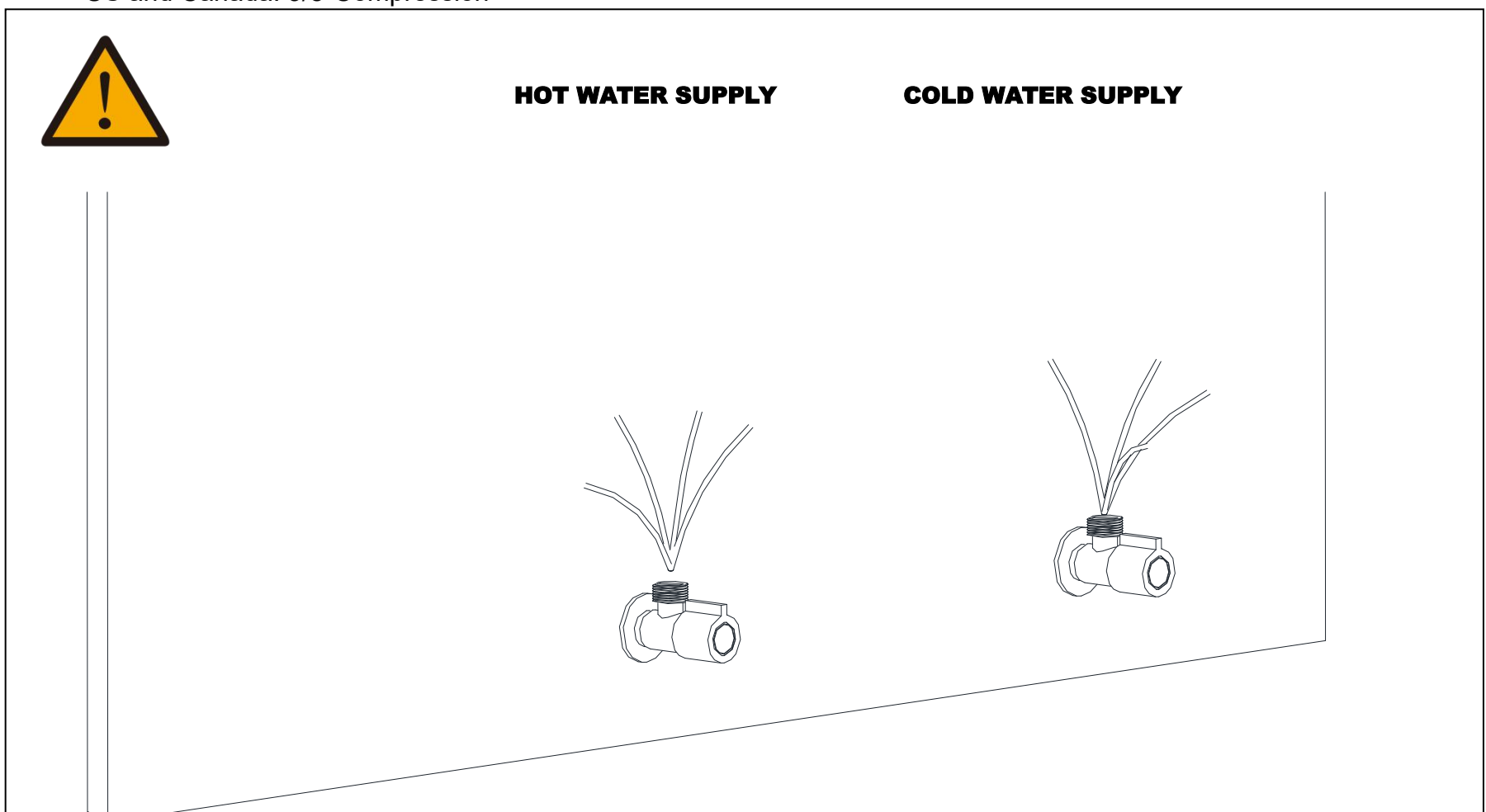


5. FAUCET INSTALLATION

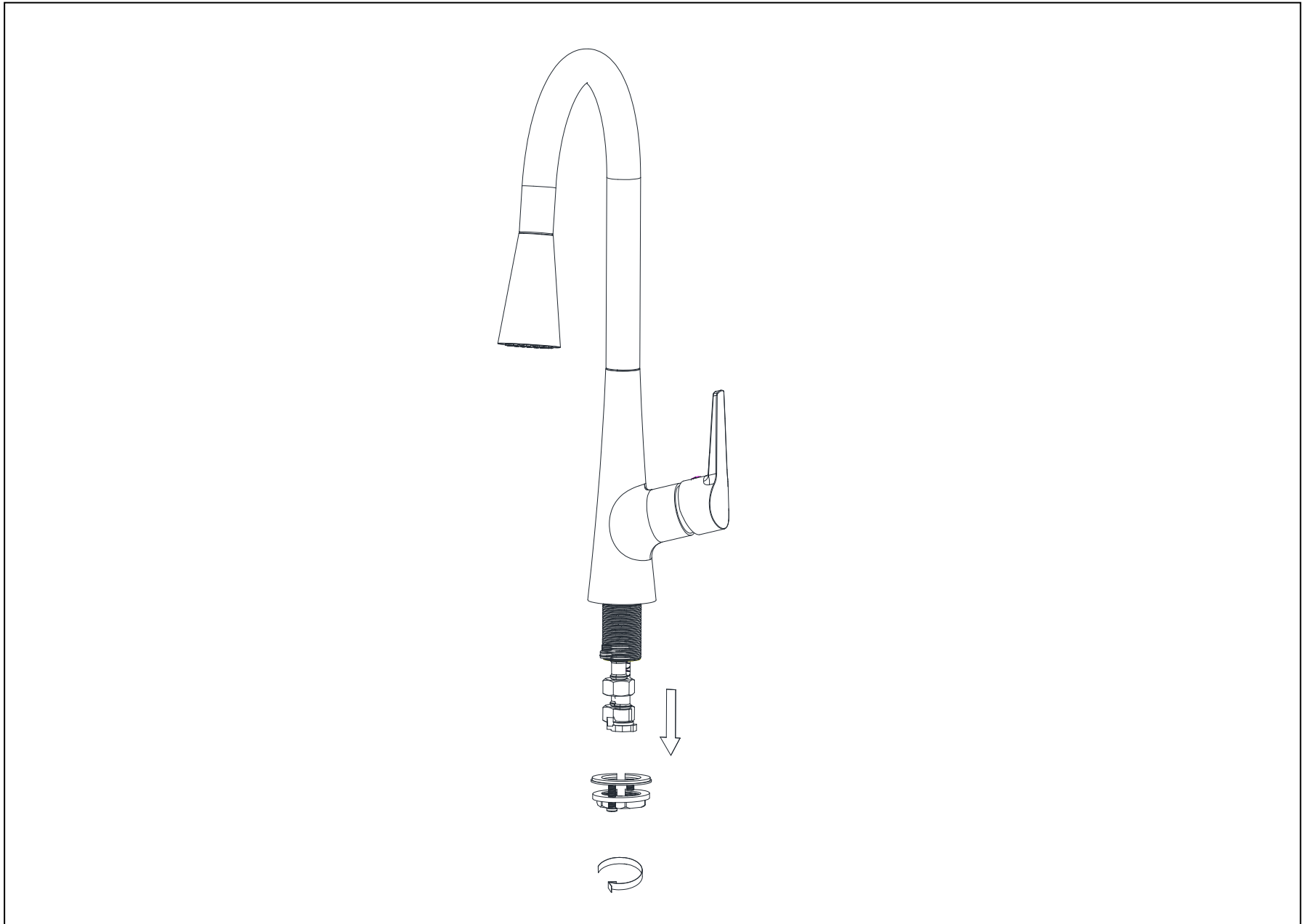
5.1 Turn on your shut-off valve for cleaning the hot and cold water supply pipe before connect to the faucet, allow the water flush 3~5 minutes to flush out dirt and debris. Shut off the water supply again after finish.

Note: the thread specifications for the Stop valve as follows:

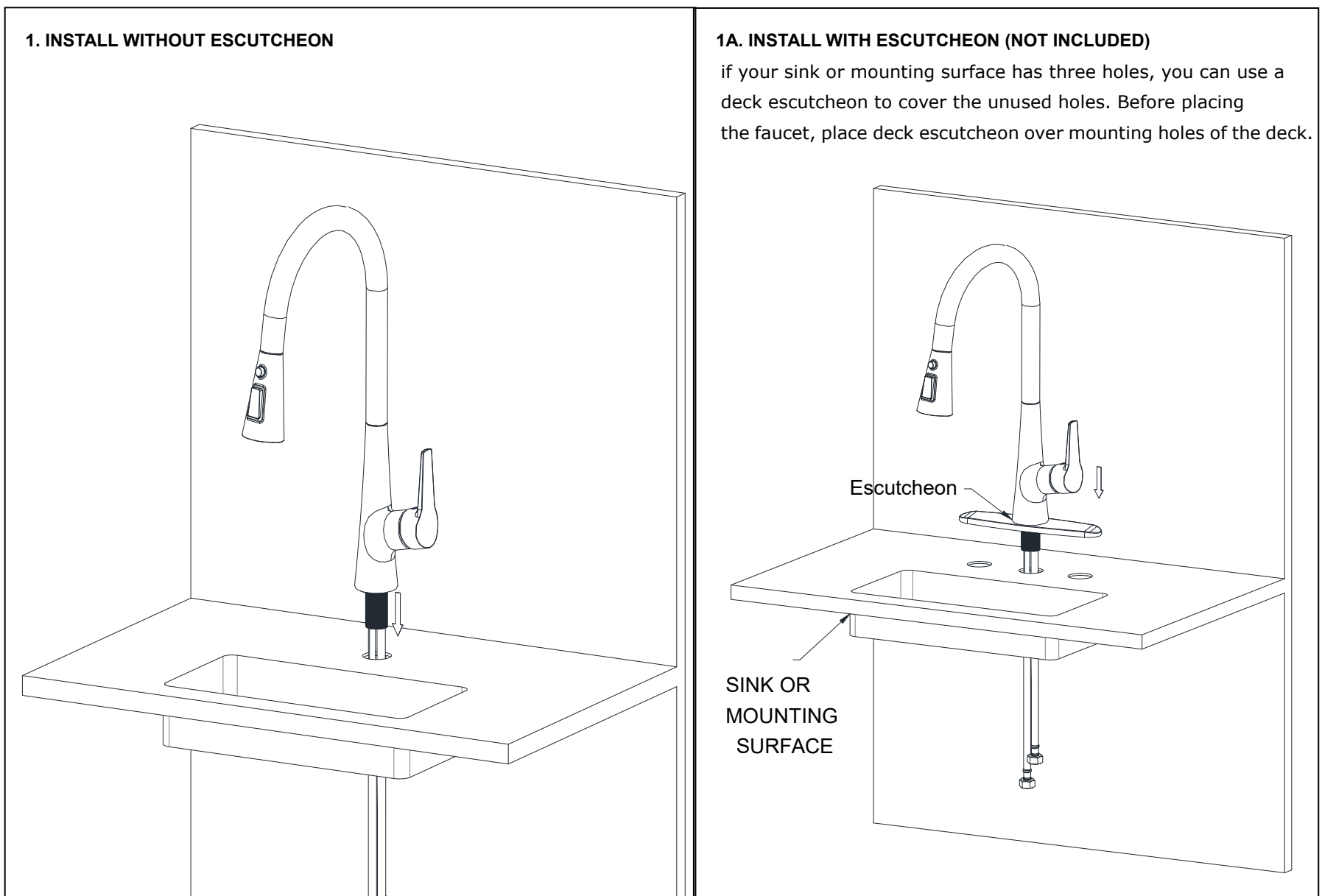
US and Canada: 3/8" Compression



5.2 To remove the mounting components from the faucet, hold it steady with one hand and twist the components counterclockwise with the other hand until they are detached.

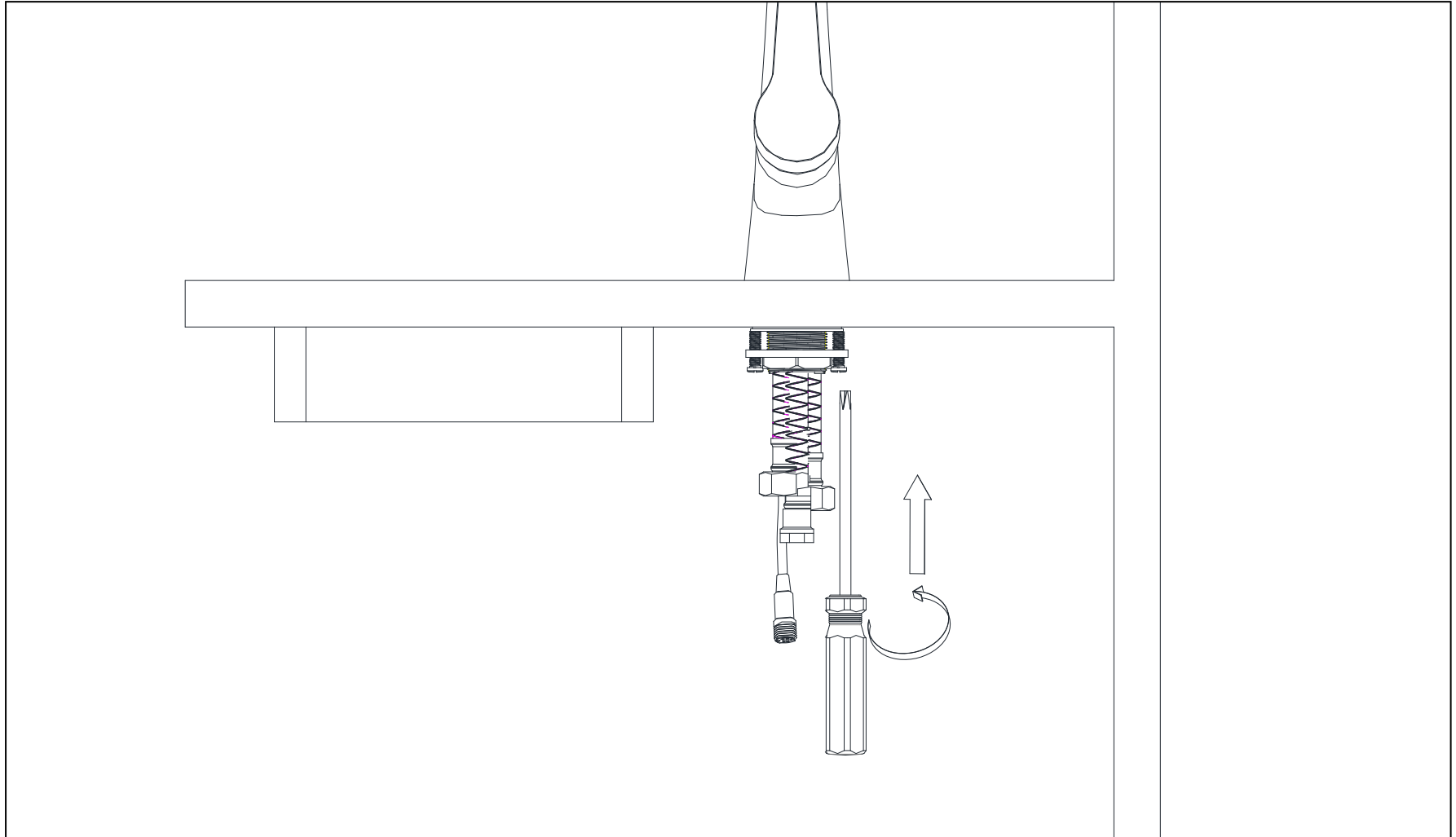


5.3 Make certain the seal is properly seated in bottom recess of faucet body. Insert cables, hoses and shank through mounting ring and deck, seat faucet body base onto sink or mounting surface.

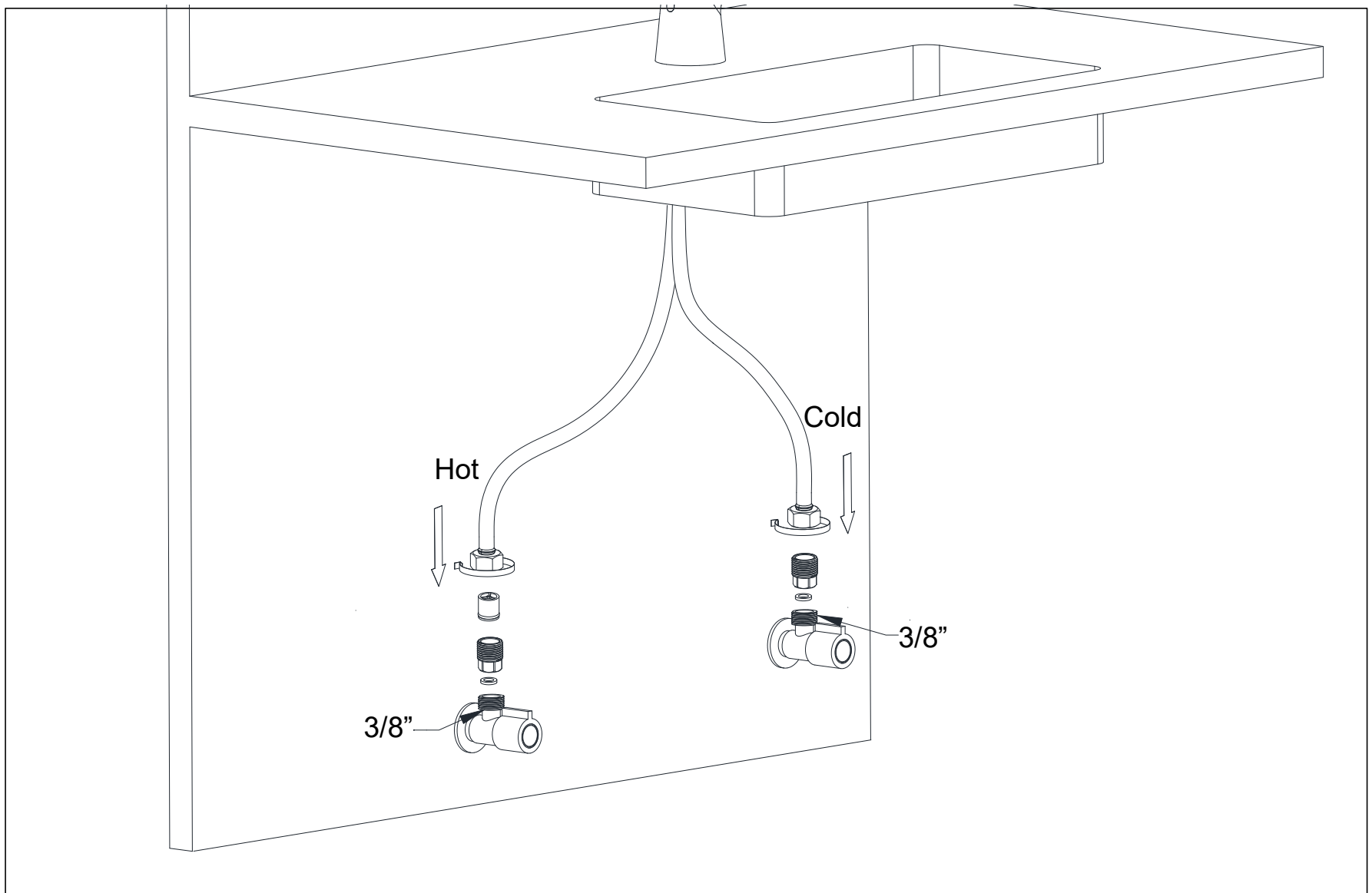


5.4 Attach mounting hardware and tighten from below.

- (a.) From below: Insert cables (23) and hoses (25, 26, and 27) through rubber washer (31), Metal washer (32), and threaded locknut (33).
- (b.) Assemble rubber washer (31), metal washer (32), and threaded locknut (33) onto Shank (30) from underside of sink or mounting surface. Hand tighten locknut (33).
- (c.) Make sure faucet is aligned properly with handle on the right and logo facing directly forward.
- (d.) Use a screwdriver to tighten set screws (34) on locknut (33). Work your way around locknut (33), tightening the screws slightly each time until all are snug to ensure even pressure.



5.5 Connect the cold and hot water supply hoses to their respective valve inlets. Attach the other ends to the cold and hot water supply stops. Use 3/8" compression fittings for North America. Ensure all connections are secure.



6. Installation and Operation of the Electronic Module

6.1 Connecting the Water Spray Hose and Solenoid Valve Assembly.

(a.) Installing the Mounting Bracket.

Step 1: Remove the base from the solenoid valve assembly.

Step 2: Select the desired location for the bracket inside the kitchen cabinet and mark the installation hole positions with a pencil.

Step 3: Use a drill to create six installation holes.

Step 4: Insert wall anchors (dowels) into the installation holes.

Step 5: Secure the base in place using screws and a screwdriver.

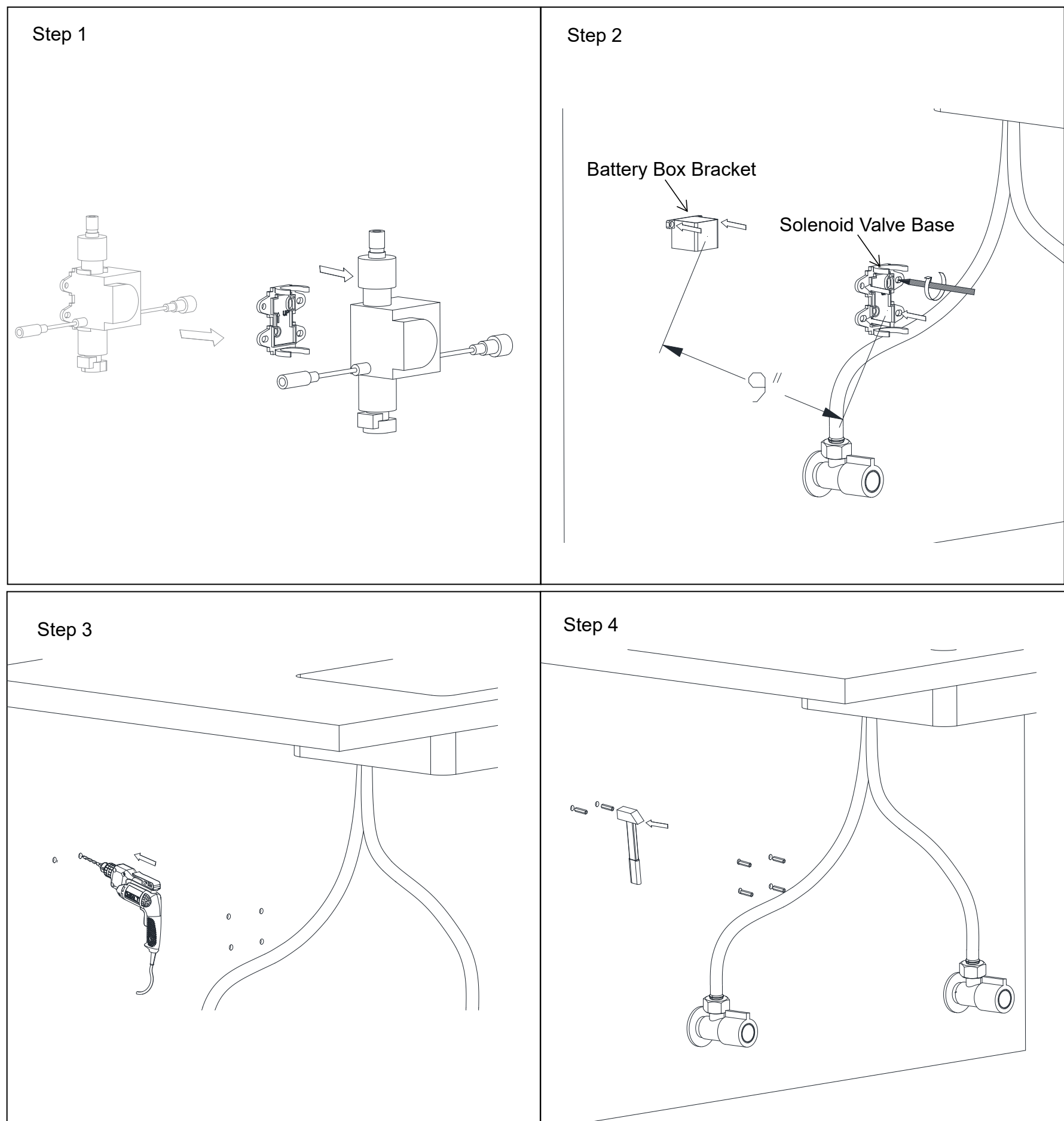


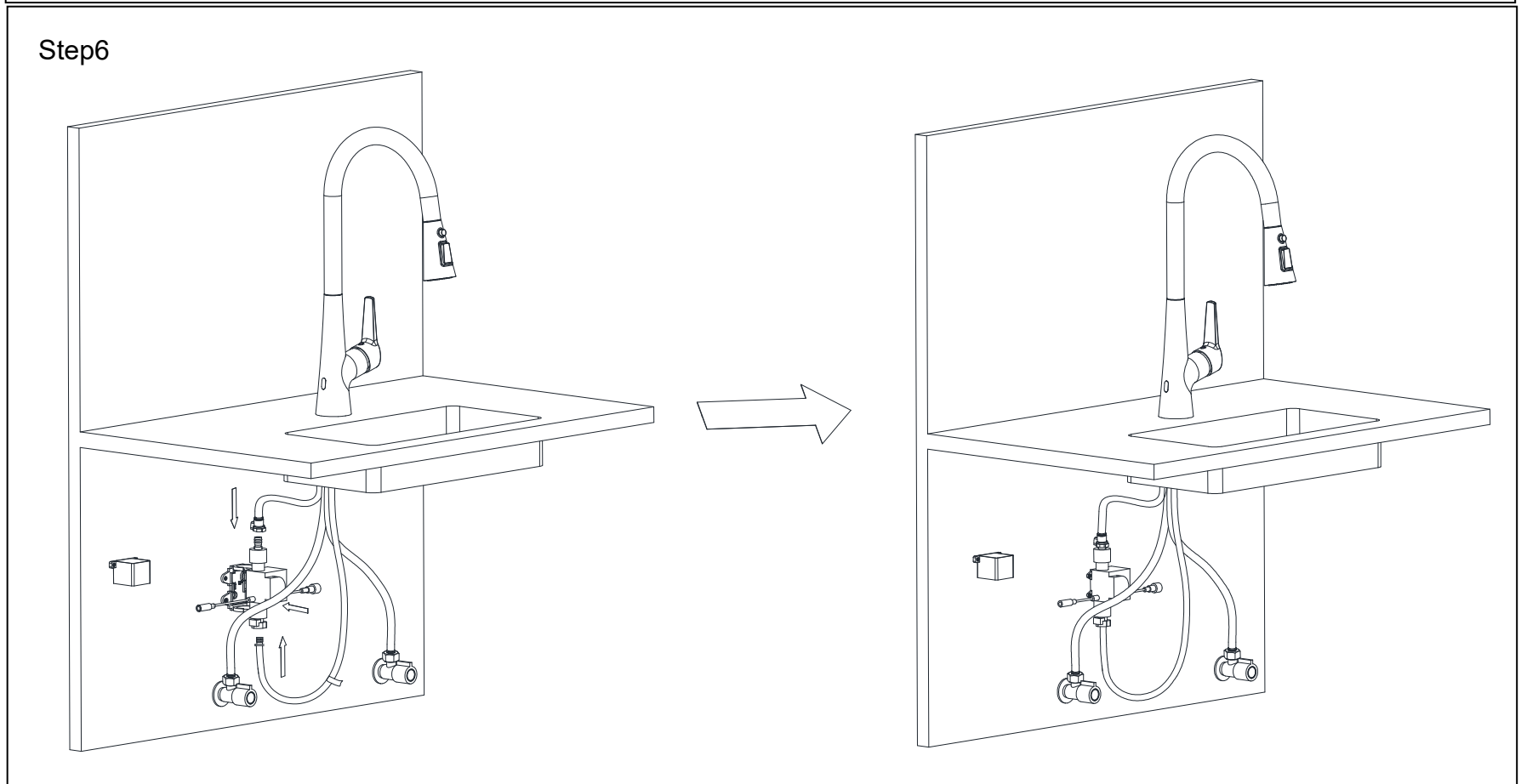
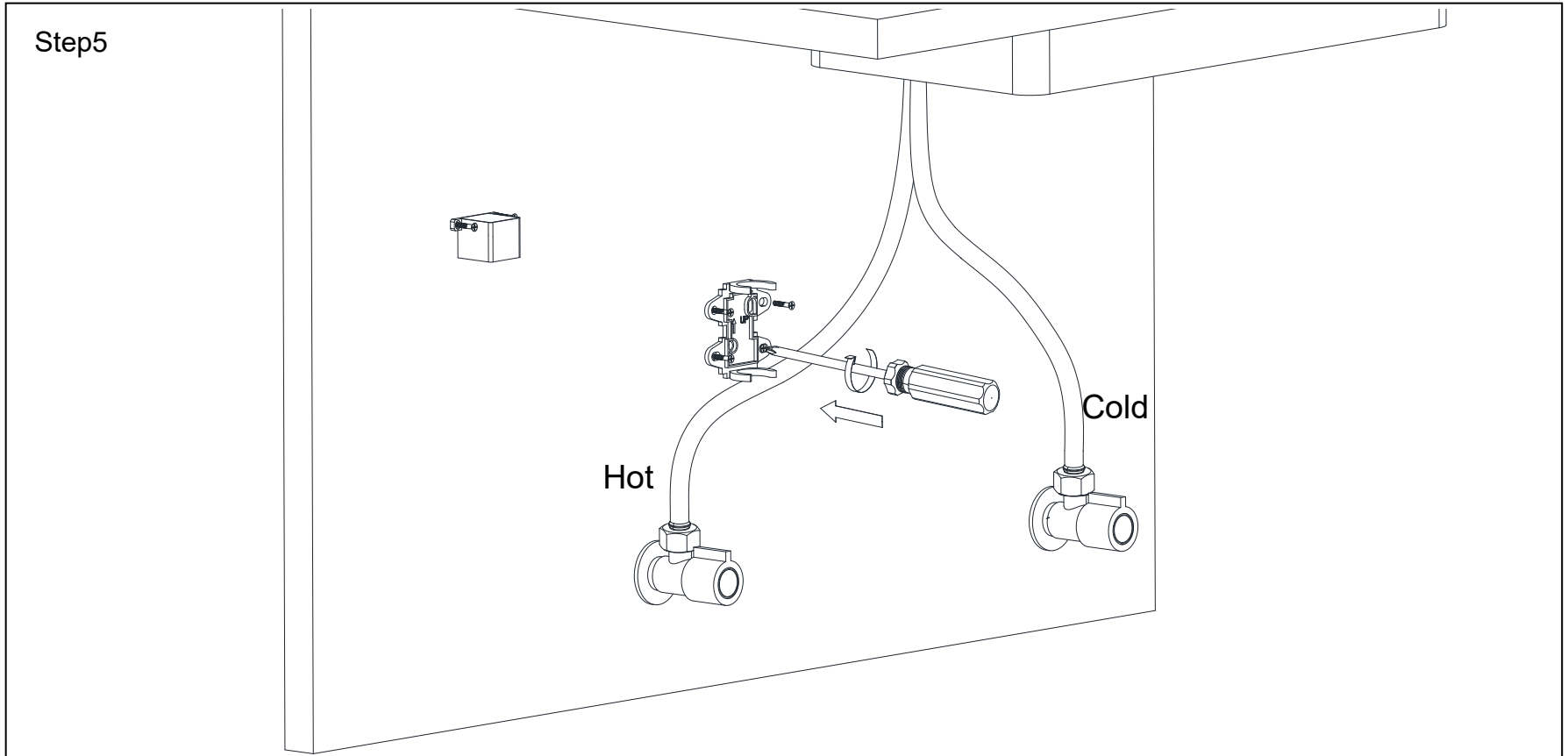
Reminder: The battery holder should be installed in a location that allows easy access to the battery and is no more than 9 inches from the solenoid valve assembly.

Optional Step 2: For added stability, apply double-sided tape to the back of the battery holder and the solenoid valve base, then secure the holder to the wall. This method can serve as an alternative to screw installation or enhance overall stability.

(b.) Connecting the Hose Fitting Outlet End

Step 6: Insert the outlet end of the hose fitting into the adapter of the solenoid valve assembly. Push the fitting into the assembly firmly to secure the connection. Then, insert the solenoid valve assembly into the base to complete the installation.

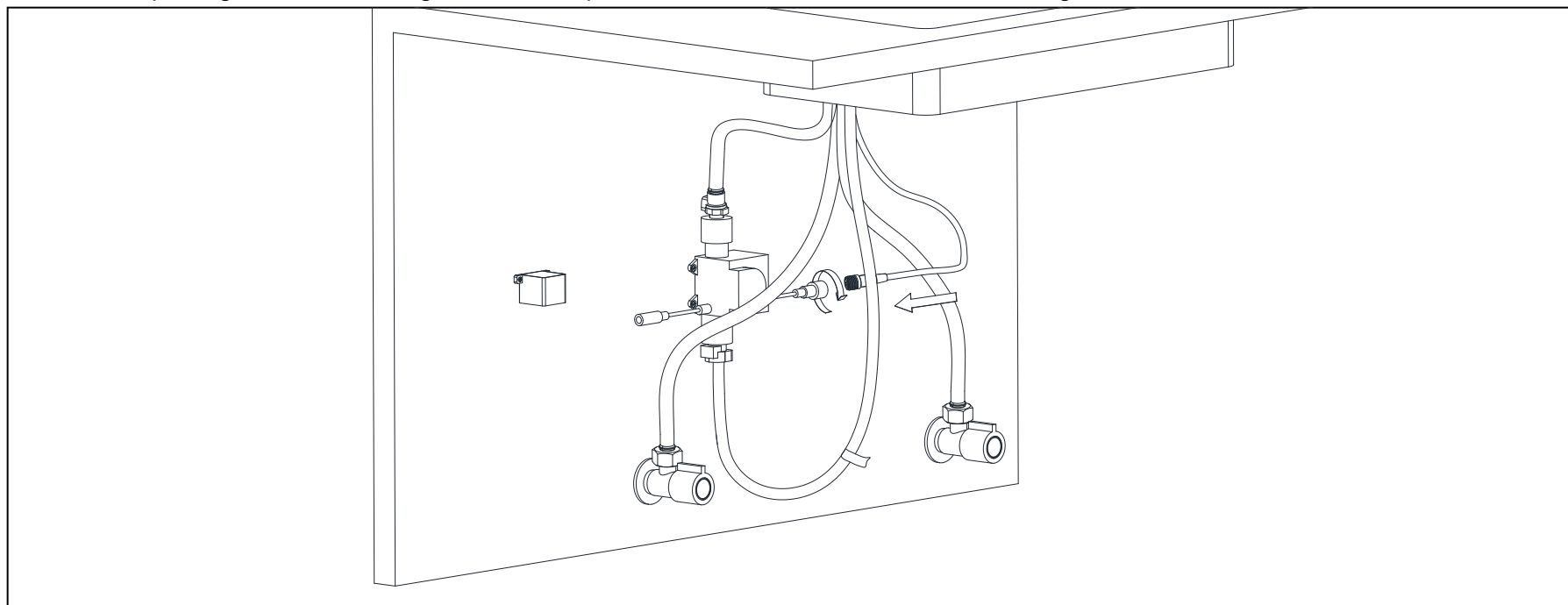




6.2 ELECTRICAL CONNECTIONS - SENSOR TO SOLENOID

Connect the solenoid connector from the solenoid assembly to the sensor connector from the faucet. Ensure that the connectors are perfectly aligned before insertion. Tighten the rotating nut to seal the signal line, preventing moisture ingress and ensuring reliable contact.

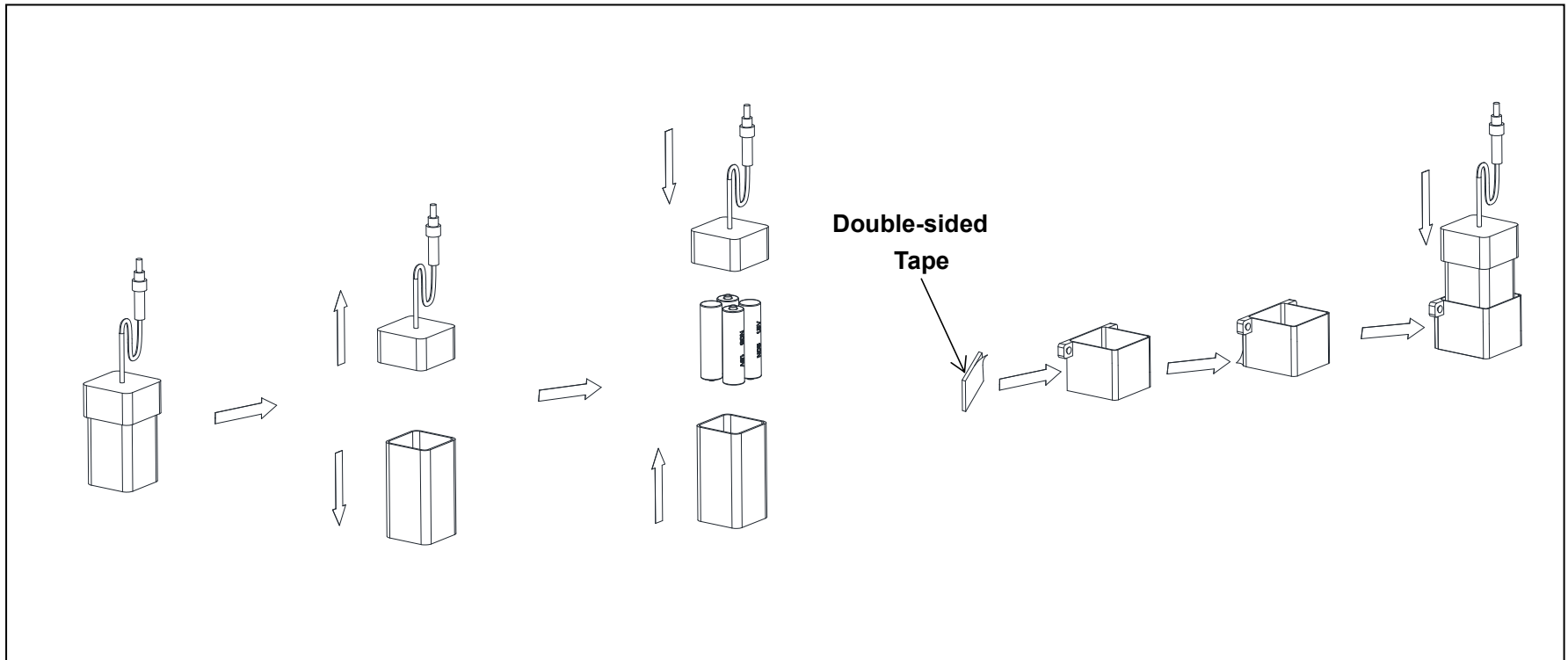
Note: Proper alignment and sealing are critical to prevent malfunction due to moisture entering the connections.



6.3 INSTALL BATTERIES INTO BATTERY HOLDER

- (a.) Open the battery holder and insert four (4) AA alkaline batteries into the battery holder, ensuring correct polarity alignment.
- (b.) Close the battery holder lid securely.
- (c.) Place the battery holder onto its holder bracket.

 **Note: Only use AA alkaline batteries. Batteries are not included with the standard accessories.**



6.4 ELECTRICAL CONNECTIONS – BATTERY HOLDER

(a.) Verify Bypass Knob Status

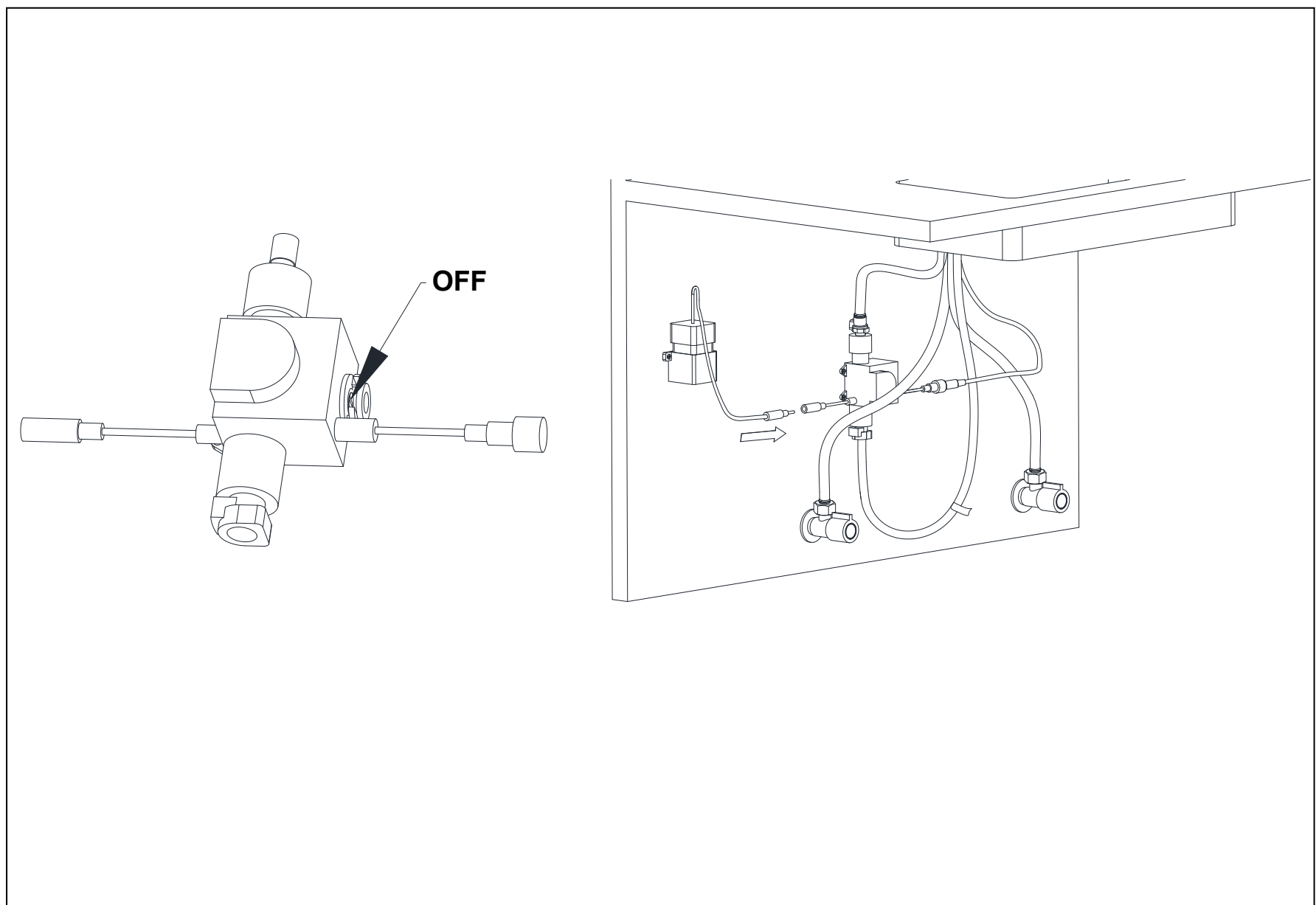
Ensure that the BYPASS knob on the solenoid assembly (22) is in the "OFF/CLOSED" position. This is the factory default setting, and typically no action is required by the user.

(b.) Connect the Battery Holder Cable

Step 1: Connect the battery holder cable (9) to the other end of the short power cable (6) coming out of the solenoid assembly (22).

Step 2: Upon connection, the sensor's LED will blink 5 times indicating that it has entered the normal sensing mode successfully.

Note: The red blinking LED signals that the system is functioning correctly and is ready for sensor operation.



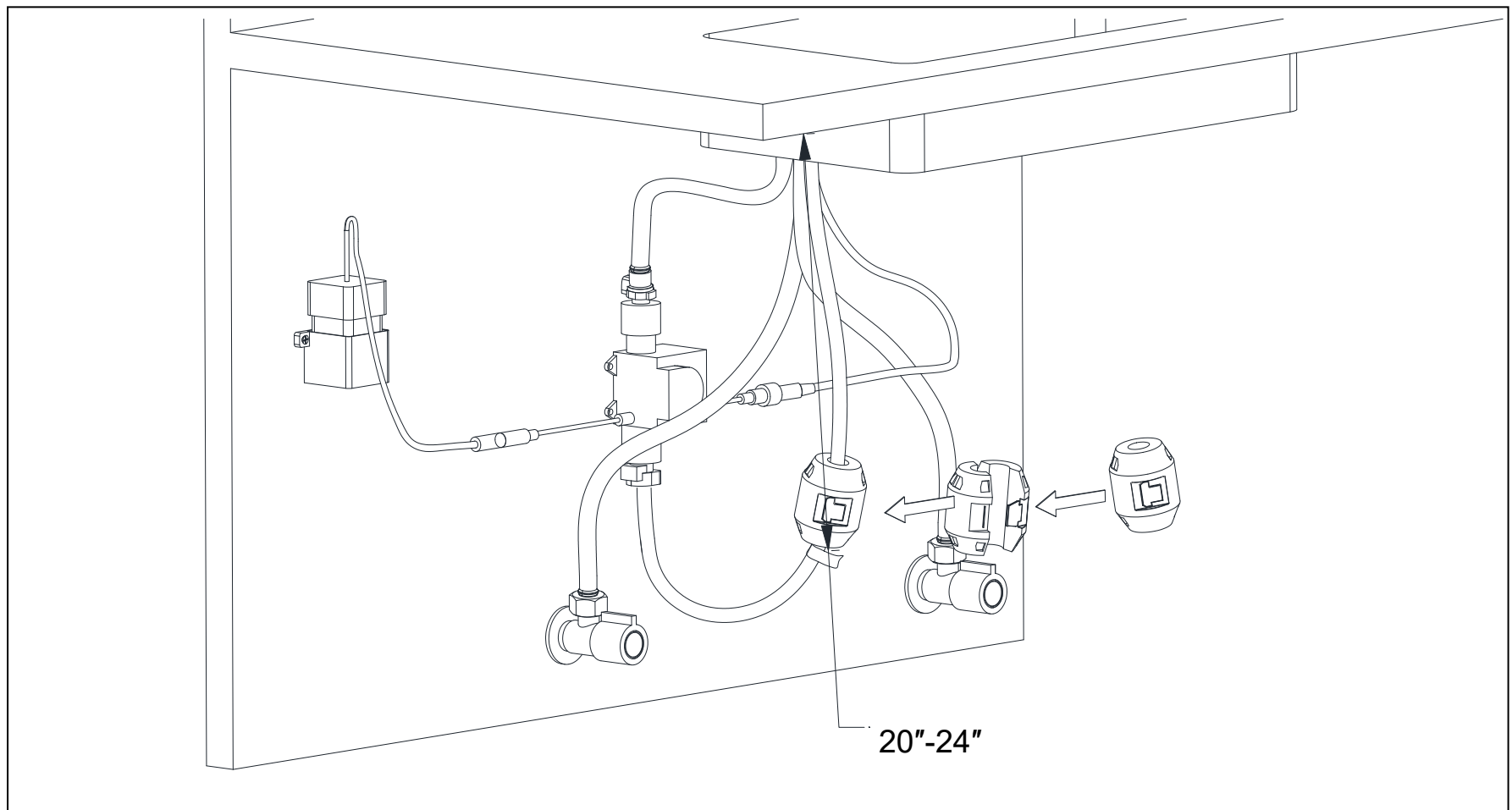
6.5 INSTALL WEIGHT

NOTE: There is a label on the hose indicating the correct placement for the weight.

IMPORTANT:

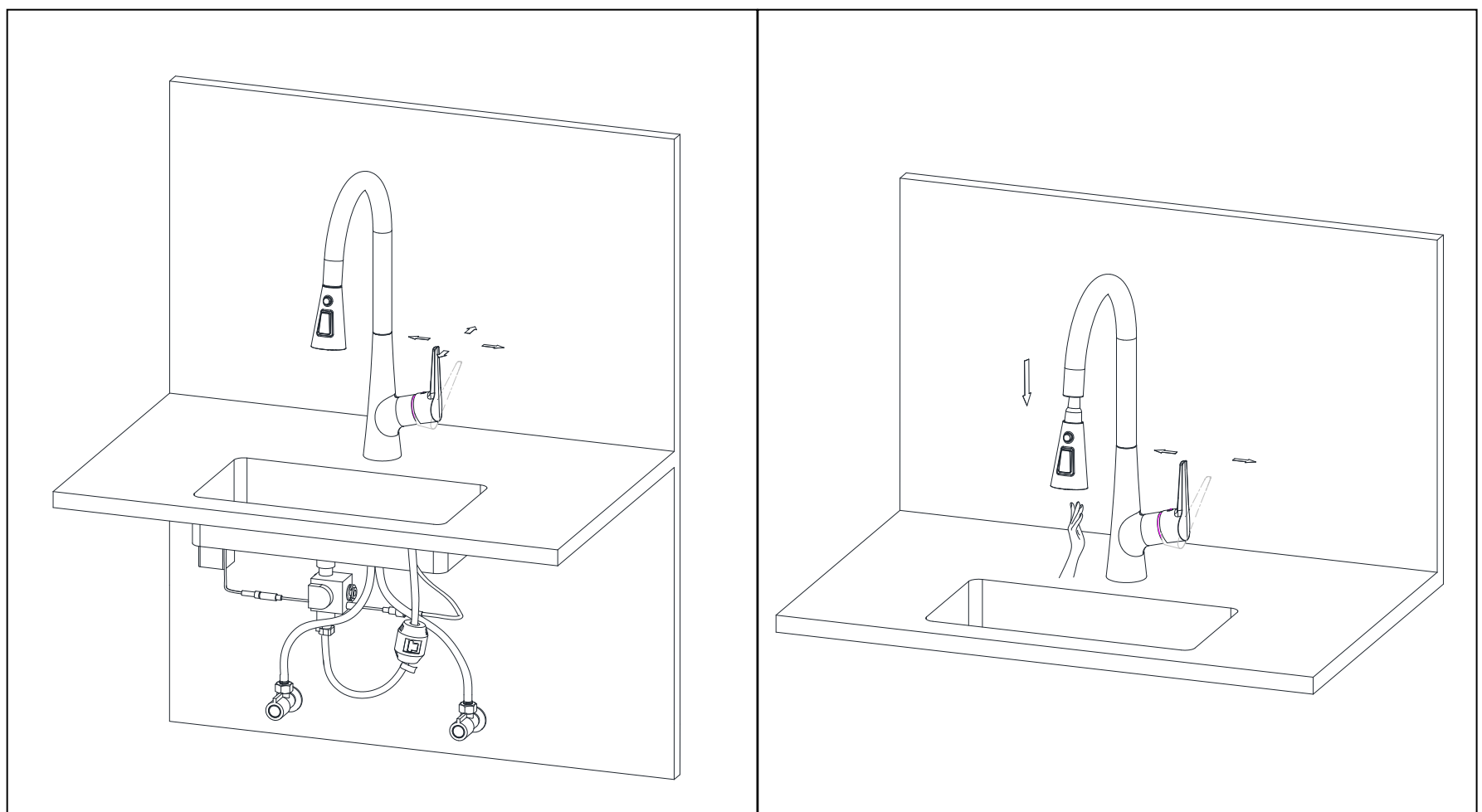
(a.) Ensure that you pull out the spray hose to check that it moves freely and is not obstructed by supply hoses, the solenoid valve, or items at the bottom of the cabinet.

(b.) Proper positioning of the weight ball is critical for the effective retraction of the hose. If positioned too high, the hose might not retract fully. If placed too low, it could hinder the extension of the hose or cause it to hang too loosely. Adjust the position if necessary based on the functionality of the hose after initial testing.

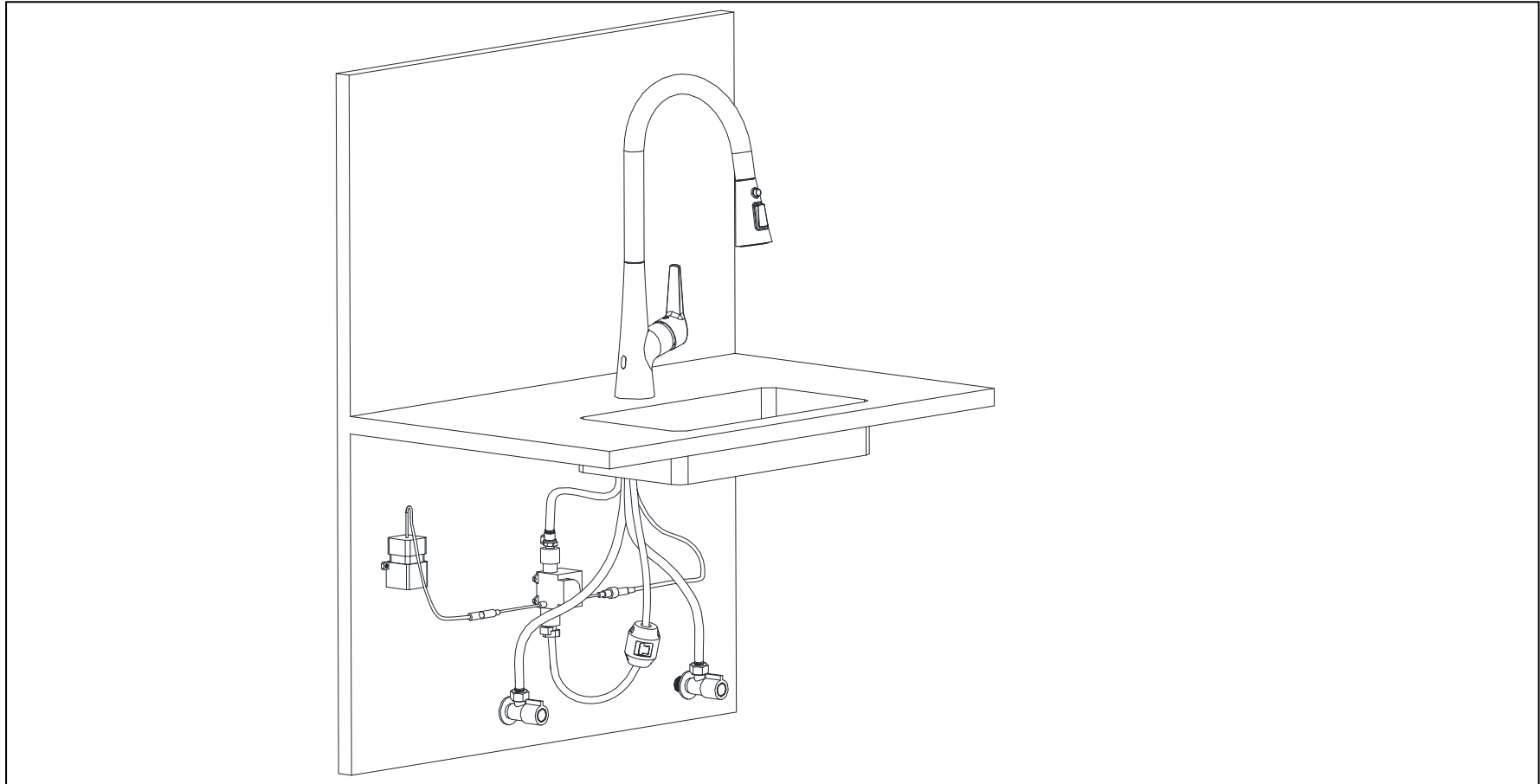


6.6 TEST INSTALLED FAUCET & CHECK CONNECTION FOR LEAKS

- (a.) Move HANDLE (17) into "off" position.
- (b.) Turn on water supplies and check connections for leaks.
- (c.) With HANDLE (17) in "off" position, unthread SPRAY (1) from HOSE (5).
- (d.) Turn on the HANDLE (17) and move your hand close to the sensor. This should activate the solenoid valve, allowing water to flow through the faucet normally.
- (e.) Operate HANDLE (17) up and down, left and right to flush water lines thoroughly.
- (f.) Replace SPRAY (1) onto HOSE (5).
- (g.) Operate HAND SPRAY and check connections for leaks.



6.7 ASSEMBLE FINISHED.



6.8 FAUCET OPERATION

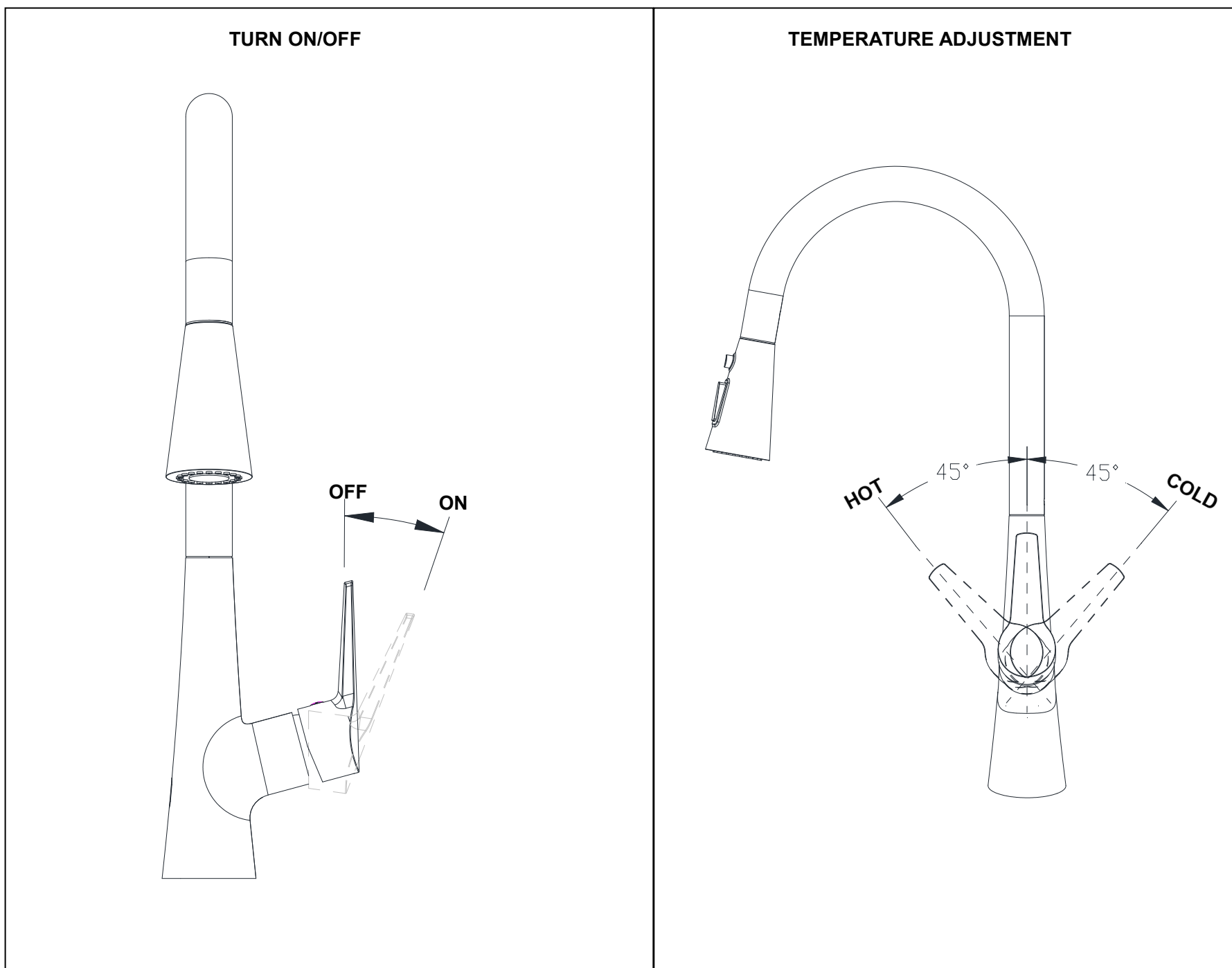
(1) Handle Operation Guide

(a.)Turning On/Off the Faucet:

Rotate the faucet handle to control the opening and closing of the ceramic cartridge.

(b.)Temperature Adjustment:

Turn the handle to the right for cold water and to the left for hot water.



(2) Spray Head Usage Guide

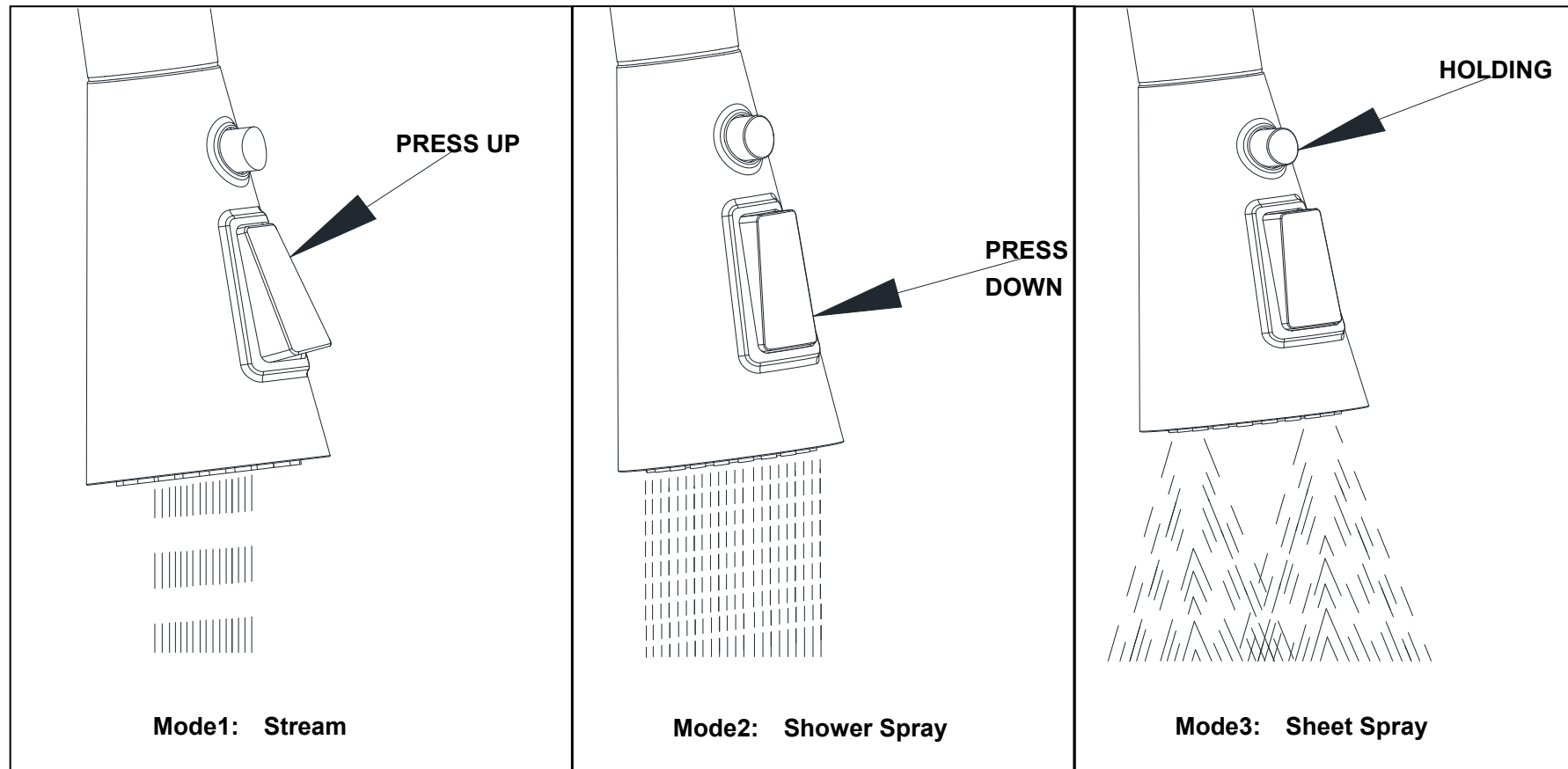
The spray head offers three water output modes: Stream Mode, Sheet Spray, and Shower Spray. It is equipped with two buttons to toggle between these modes:

(a.)Circular Button:

Located above the oval button. Press and hold this button to activate Sheet Spray mode. Continue holding the button to maintain this mode. Releasing the button will revert to the previous mode.

(b.)Oval Button:

Positioned below the circular button. Pressing and holding the upper part of this button switches to Stream Mode. Pressing and holding the lower part switches to Shower Spray mode. Once activated, these modes remain engaged without the need to hold the button continuously.



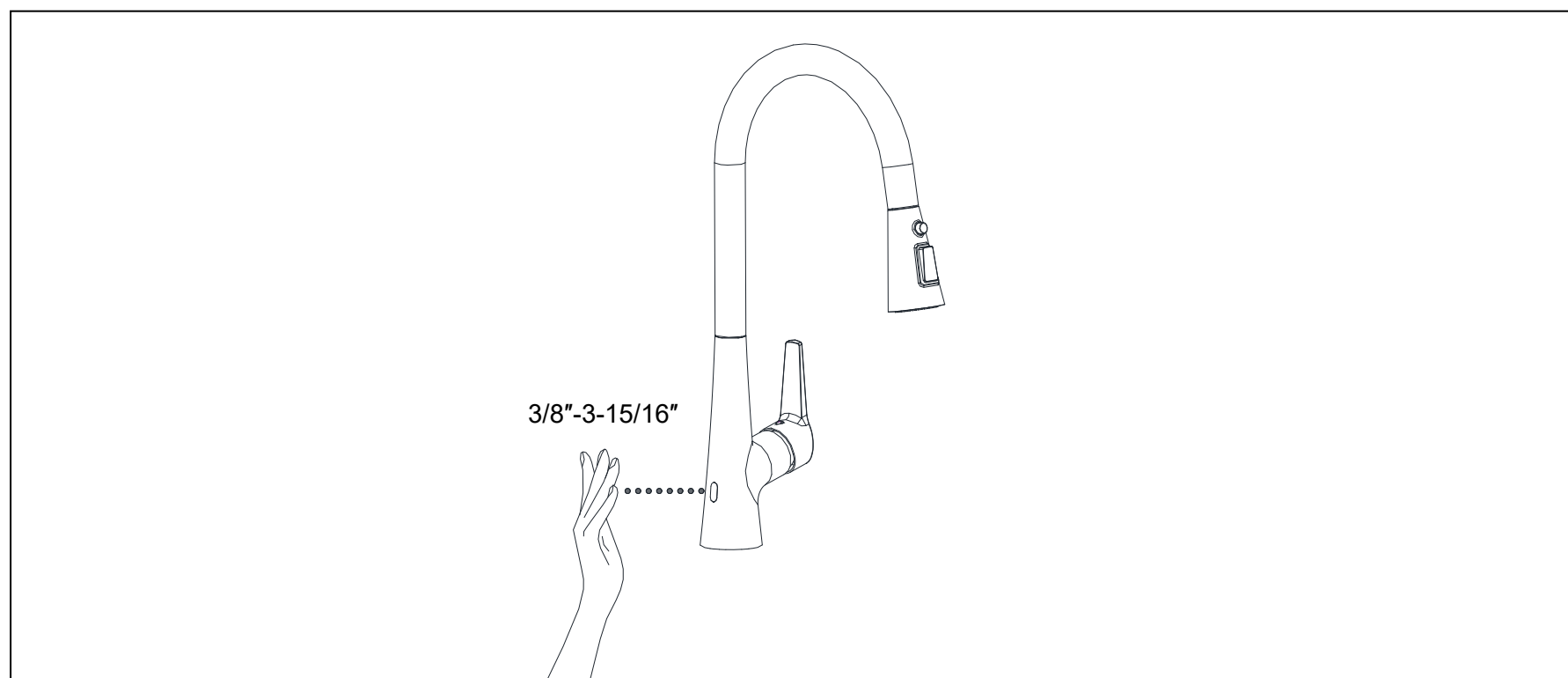
(3) Sensor Operation Guide

Sensor Mode:

The sensor window is located on the side of the faucet with an effective range of 3/8 inch to 3-15/16 inch . When your hand approaches within this range, the sensor will activate the solenoid valve to start the water flow; removing your hand maintains the water flow. Approaching the sensor again will close the valve and stop the water flow.



Note: Ensure the faucet handle is in the open position for sensor operation.



(4) Safety Timer Function

⚠ The faucet is equipped with a safety timer that automatically turns off water after 3 minutes of continuous use. To restart the water flow, momentarily place your hand in front of the sensor.

(5) Power Failure Protection

⚠ The solenoid valve control box features an automatic water shut-off in the event of a power failure:

(a.) If the valve is open when power is disconnected, it will automatically close no later than 2 seconds after the power loss.

(b.) If the valve is closed during a power outage and the sensor is obstructed, the valve will remain closed or will close immediately if

reopened.

7. SERVICE.

7.1 Battery needs replacement

- (1) During sensor operation, a red indicator light will blink once per second for a total of 5 times to indicate medium battery power. In low battery conditions, the indicator light will blink twice per second for a total of 10 times.
- (2) Replace batteries in battery holder with Qty (4) AA alkaline type batteries.
- (3) Batteries last approximately one year.
- (4) Always change all 4 batteries. Failure to replacing all 4 batteries at the same time may cause faucet electronics to not work properly.

Note: When the battery voltage is low, the solenoid assembly may not operate properly.

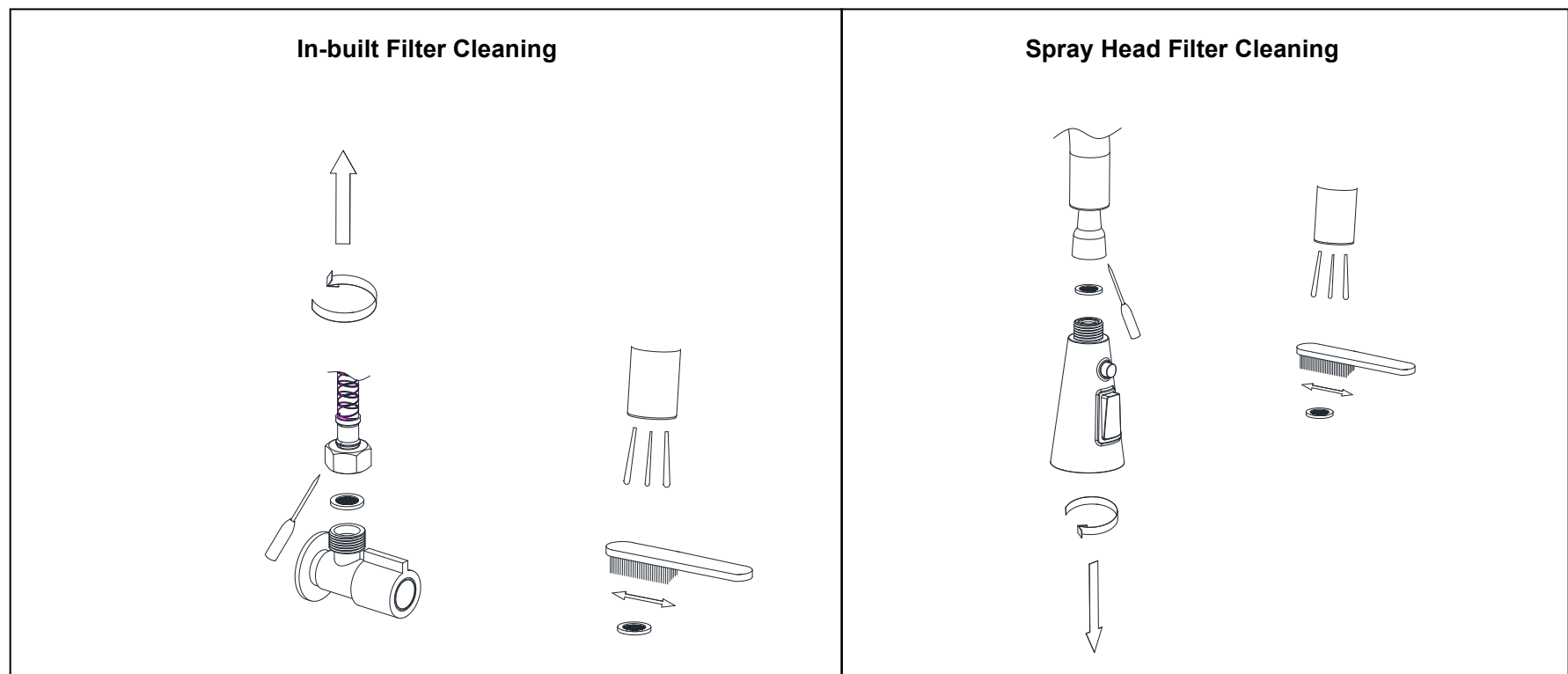
7.2 Reduced Flow Remediation

(1) Stop Valve In-built Filter Cleaning

Turn off the hot and cold water supply. Locate the globe valve built-in strainer and pick out the filter gasket with a sharp-tipped tool. Carefully remove and flush filter under running water to remove debris.

(2) Spray Head Filter Cleaning

Ensure the faucet is turned off. Remove the shower head from the faucet. Pick out the filter washer with a pointed taper tool and gently flush under running water to remove sediment or debris.



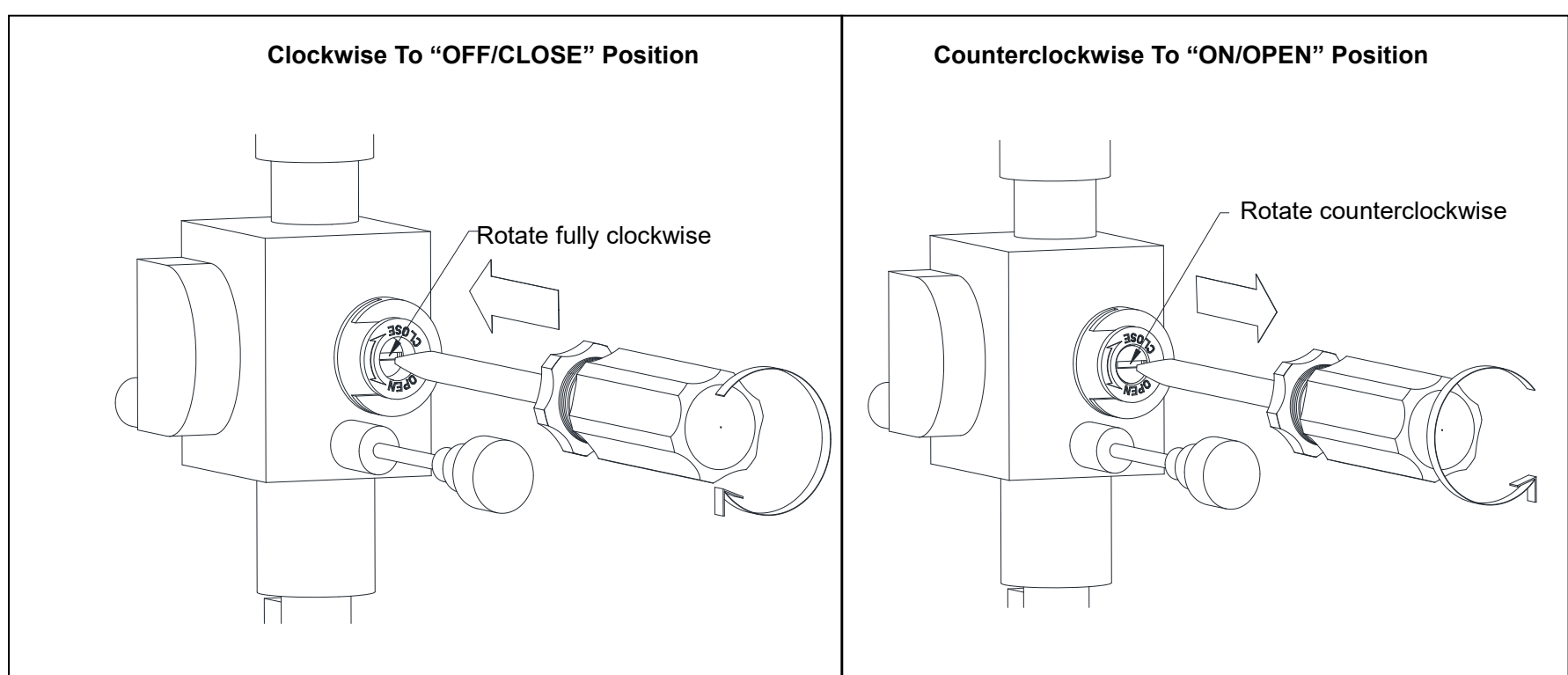
7.3 Power Failure or Manual Bypass Mode

In the event of power failure, solenoid failure, or any other situation that prevents the normal operation of the solenoid valve control box, the manual bypass mode can be activated:

Activating Bypass Mode:

- (a.) Locate the bypass knob on the solenoid assembly. Use a flathead screwdriver of appropriate size to insert into the hole of the bypass knob. Turn it counterclockwise to the end position, which is the "OPEN" position. This sets the faucet to manual bypass mode.
- (b.) Once in manual bypass mode, the faucet can be operated using the handle, ensuring continuous water flow even when electrical power is unavailable.

Note: This feature ensures that the faucet remains operational, bypassing electronic controls in cases of power failure.



CLEANING RECOMMENDATION FOR SUMERAIN PRODUCTS

Modern lavatory faucets, kitchen faucets, and showers are built using a wide variety of materials to cater to the market's demands for design and functionality. To avoid damage and potential returns, adhering to specific cleaning guidelines is crucial.

Cleaning Materials for faucets & showers

When cleaning faucets and showers, it is important to consider the following professional terms:

- Acidic cleaning agents are essential for lime removal.
- Ensure to use only cleaning agents that are specifically designed for this particular application.
- Avoid using cleaning agents containing hydrochloric, formic, phosphoric, or acetic acid, as they can cause significant damage.
- Avoid mixing different cleaning agents, as this can cause harmful chemical reactions.
- Avoid using abrasive cleaning agents or tools, including unsuitable cleaning powders, sponge pads, or microfiber cloths that could damage the surface.

Cleaning instructions for faucets & showers

Please follow the cleaning material manufacturer's instructions. In addition, pay attention to the following points:

- Clean faucets and showers regularly as needed to maintain their optimal function and appearance.
- Apply the recommended amount of cleaning product for the specified duration. Be sure not to leave the cleaner on the faucets longer than necessary to avoid potential damage.
- Regular cleaning can help prevent calcification. If you notice scale deposits on the faucet surface or spout, use a commercial descaler such as Lime-Away® or CLR®.
- In case of rust formation due to hard water conditions, gently abrade the affected area with aluminum foil soaked in water until the surface is smooth. Subsequently, apply a modest amount of chrome polish or a suitable product like automotive wax (for instance, Meguiar's®, Turtle Wax®) to buff the surface.
- Solid stainless steel faucets and spouts, especially waterfall spouts, typically lack a protective coating. Although stainless steel is naturally resistant to tarnishing, it can oxidize over time and react to its environment. Therefore, it's crucial to keep stainless fixtures clean and dry. Use a cleaner specifically designed for stainless steel, such as Weiman® or CLR®.
- When using a spray cleaner, it is recommended that you first apply it to a soft cloth or sponge rather than spraying it directly onto the faucet. This method helps prevent water droplets from entering the faucet opening and causing potential damage.
- After cleaning, thoroughly rinse with clean water to remove any residue from the cleaner.

Important

Residues from liquid soap, shampoo, and shower gel can also contribute to damage. Therefore, it's crucial to thoroughly rinse these substances off with clean water after use.



Note: if the surface is already damaged, the application of cleaning materials might exacerbate the damage.

Components with damaged surfaces must be replaced or injury could result.

Note that any damage resulting from improper treatment is not covered by the warranty.

SUMERAIN®

SUMERAIN INTERNATIONAL GROUP INC

Address: 1226 NORTH KING ST NUM 522
WILMINGTON, DE 19801
United States

Tel: +1(866)203-0866

Web: <http://www.sumerain.com>

E-mail: supports@sumerain.us

HONGKONG SUMERAIN SANITARY INDUSTRY CO., LIMITED

Address: FLAT/RM 3B 3/F BANK TOWER
NOS.351&353 KING'S ROAD
NORTH POINT
HK

Tel: +86-750-2731579

E-mail: supports@sumerain.com

SUMERAIN EUROPE SUPPORT

Address: Flottwellstr. 15
10785 Berlin,
Deutschland

Tel: +49 (0)30/23975898

E-mail: de@sumerain.com