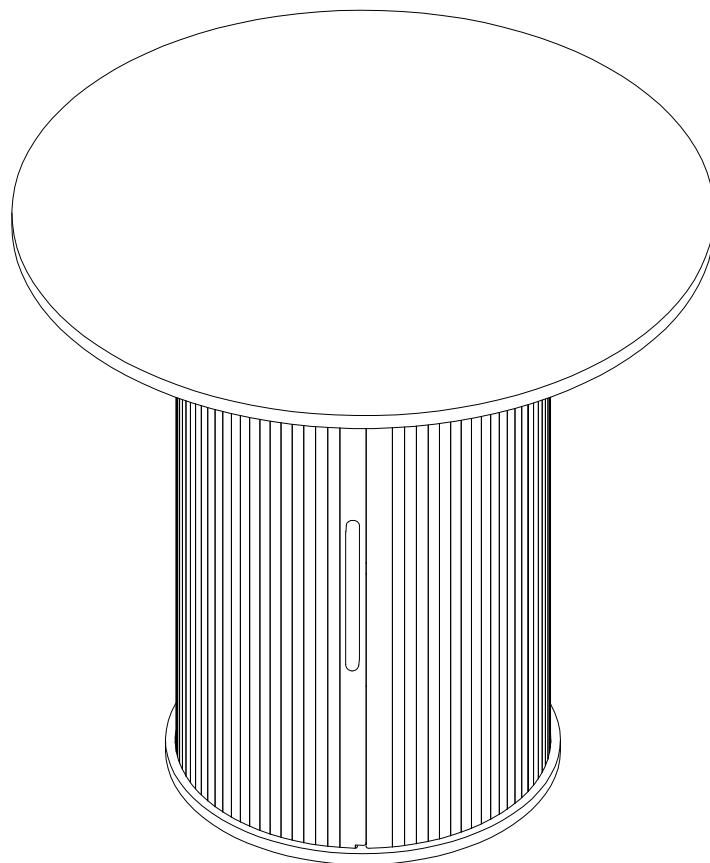


# Assembly Instructions

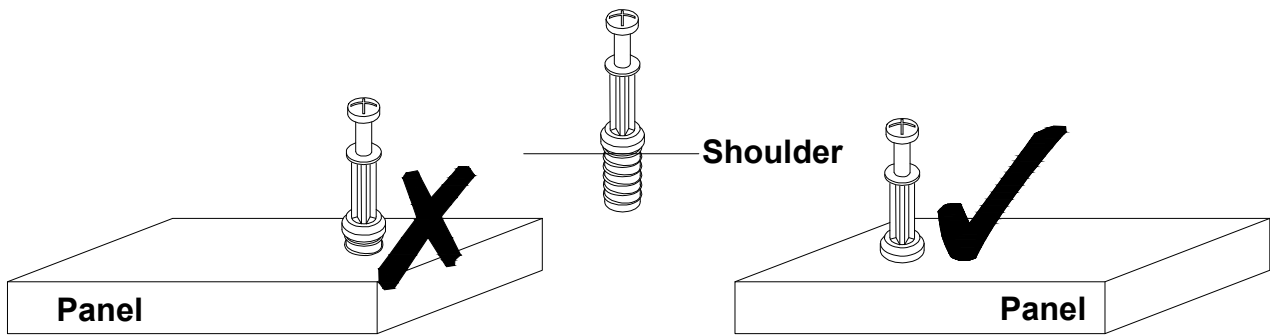


# Before Assembly

## Tips Before Your Start:

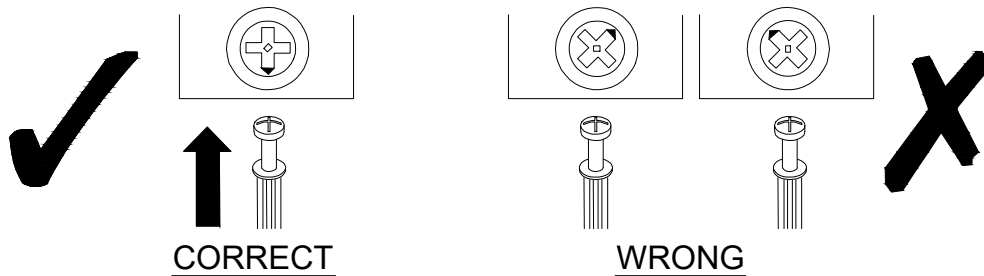
- Remove all wrapping material, including staples & packing straps before you start to assemble.
- DO NOT tighten all screws and bolts until the assembly is completely assembled.
- Keep all hardware parts out of reach of children.

## QUICKFIT



Tighten quickfit until shoulder is flush with panel. Do not overtighten or undertighten.

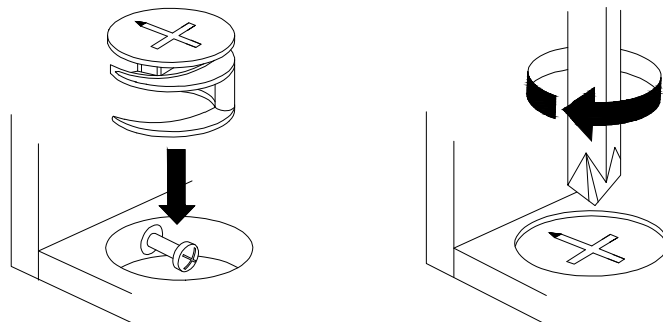
## CAM LOCK



When fitting a cam lock, ensure the starting position is correct before inserting the connecting QUI CKFIT




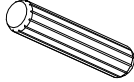

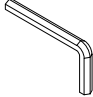



Quickfit head should be in the centre of the cam lock when the two panels are joined.

Cam lock should be inserted before quickfit.

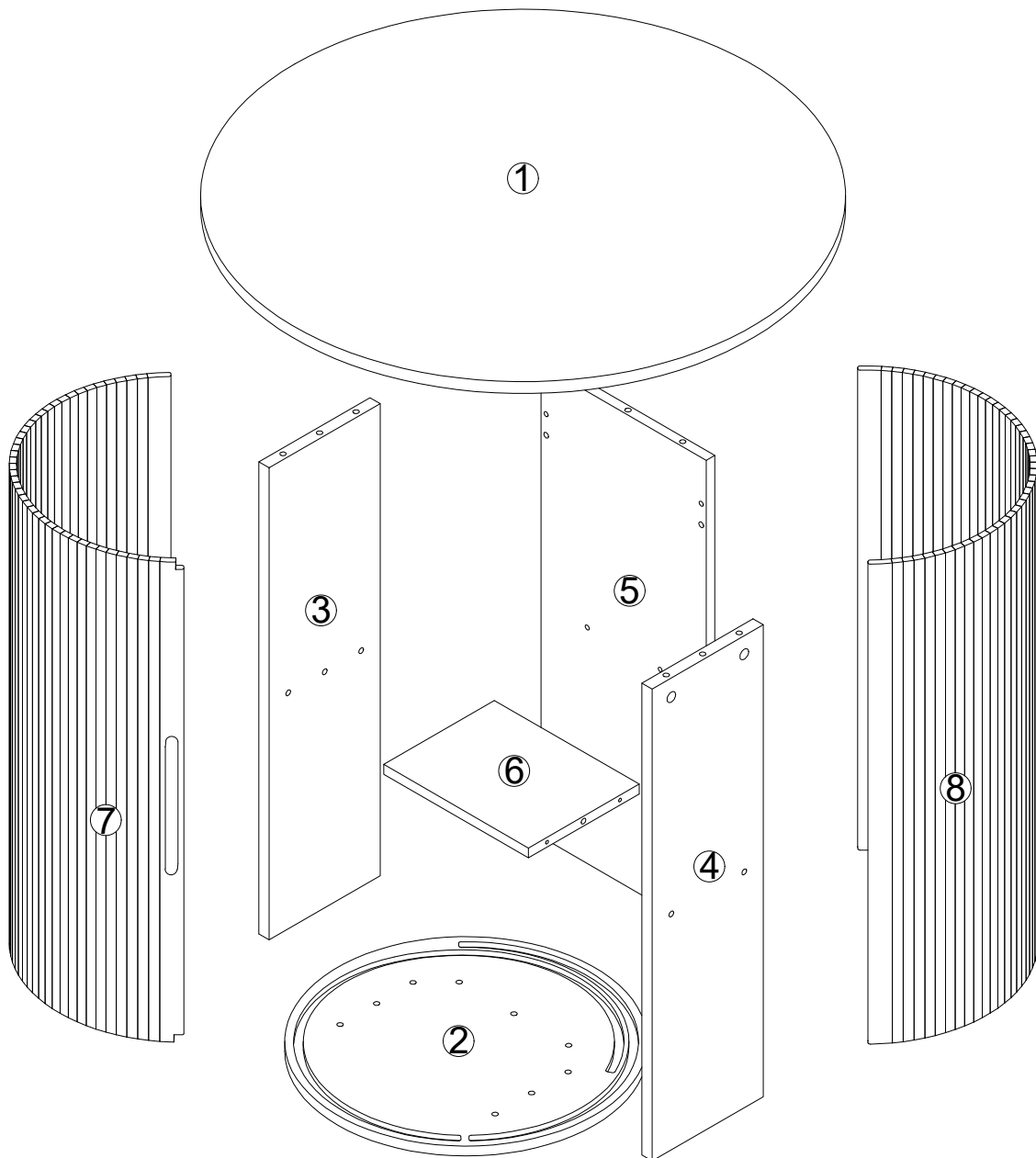


Turn cam lock clockwise to tighten.

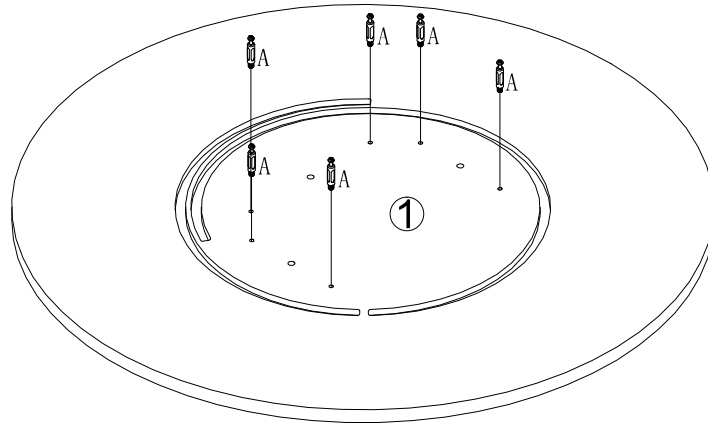
# Part List

<p><b>No. A</b> Quantity:6 Pcs Cam Lock Dowel 8*28mm</p> 	<p><b>No. B</b> Quantity:6 Pcs Cam φ15</p> 	<p><b>No. C</b> Quantity:6 Pcs Sticker Ø20</p> 	<p><b>No. D</b> Quantity:12 Pcs Dowel 8*30mm</p> 
<p><b>No. E</b> Quantity:1 Pcs Handle 200*20mm</p> 	<p><b>No. F</b> Quantity:1 Pcs Allen Key 4#</p> 	<p><b>No. G</b> Quantity:16 Pcs Screw M6*40mm</p> 	<p><b>No. H</b> Quantity:2 Pcs Screw M4*14mm</p> 
<p><b>No. I</b> Quantity:6 Pcs Foot Pad Ø20</p> 			

# Product structure



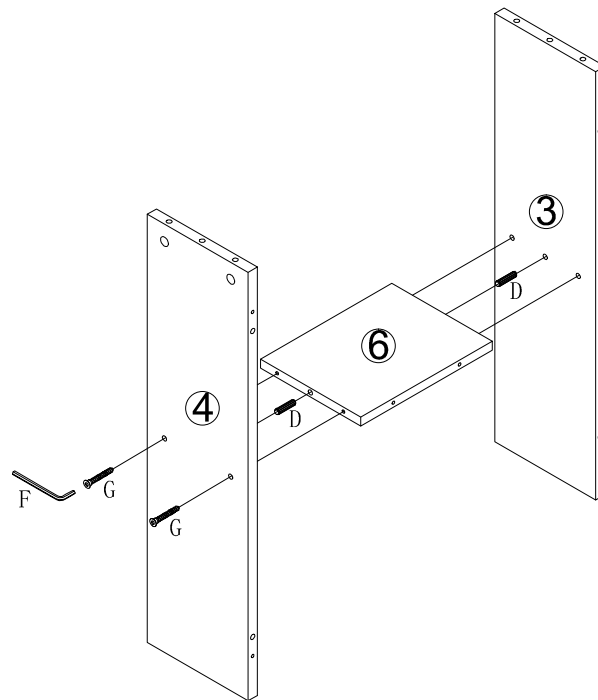
# STEP 1



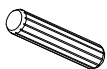
No. A  
Quantity: 6 Pcs  
8\*28 mm



# STEP 2



No. D  
Quantity: 2 Pcs  
8\*30mm



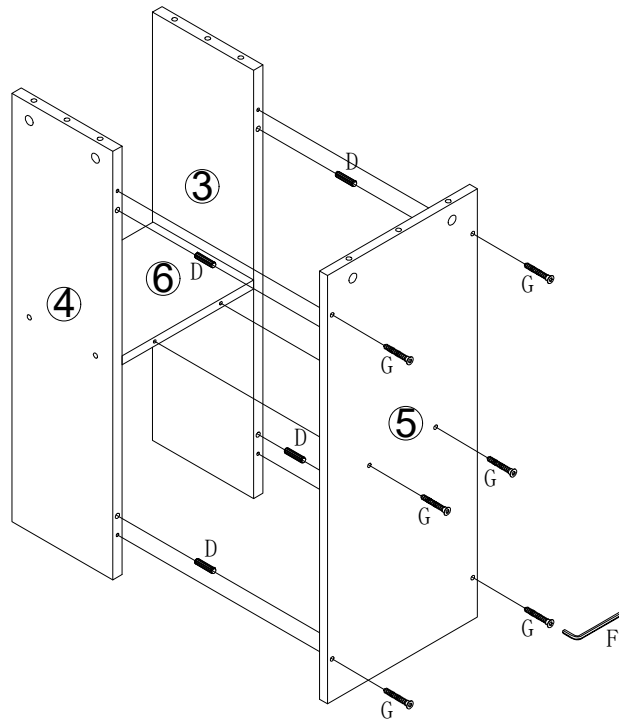
No. G  
Quantity: 4 Pcs  
M6\*40mm



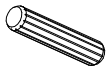
No. F  
Quantity: 1 Pcs  
4#



# STEP 3



No. D  
Quantity: 4 Pcs  
8\*30mm



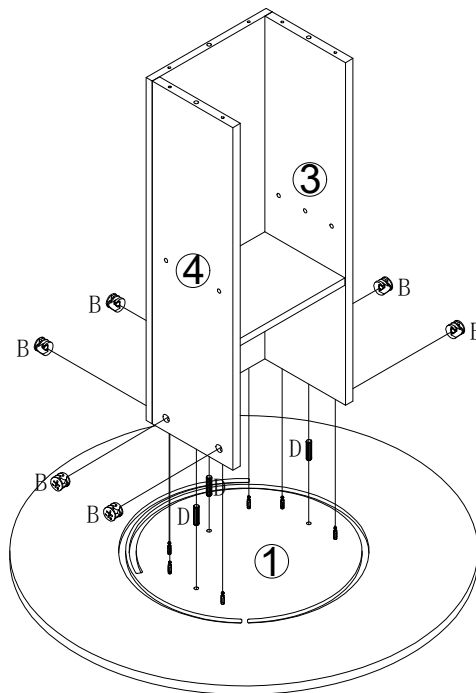
No. G  
Quantity: 6 Pcs  
M6\*40mm



No. F  
Quantity: 1 Pcs  
4#



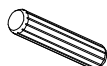
# STEP 4



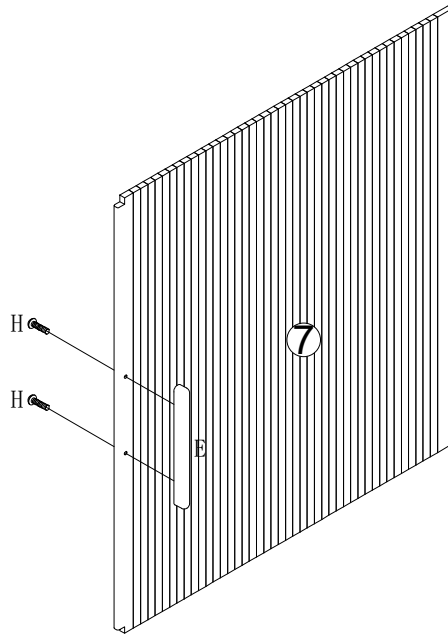
No. B  
Quantity: 6 Pcs  
Ø15



No. D  
Quantity: 3 Pcs  
8\*30mm



# STEP 5



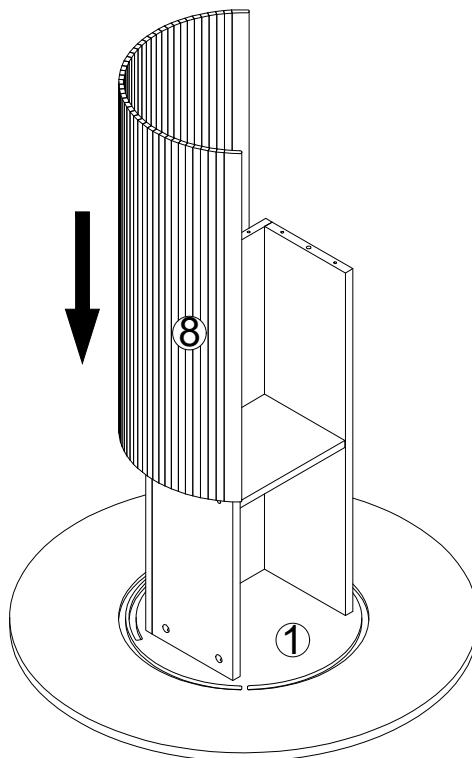
No. E  
Quantity: 1 Pcs  
200\*20mm



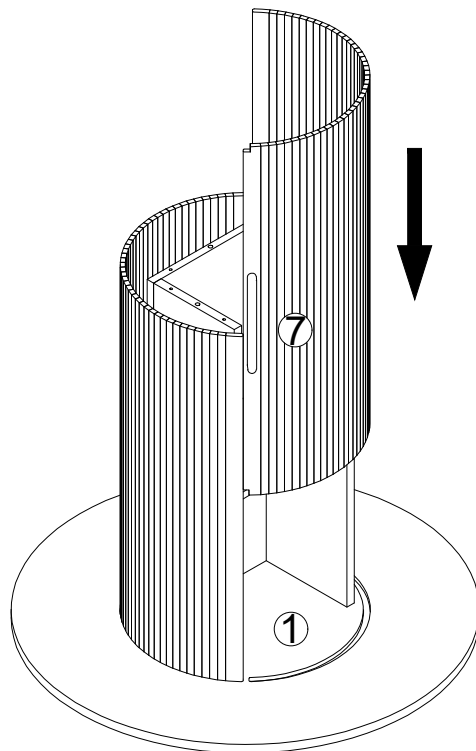
No. H  
Quantity: 2 Pcs  
M4\*14mm



# STEP 6

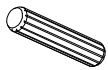


# STEP 7



# STEP 8

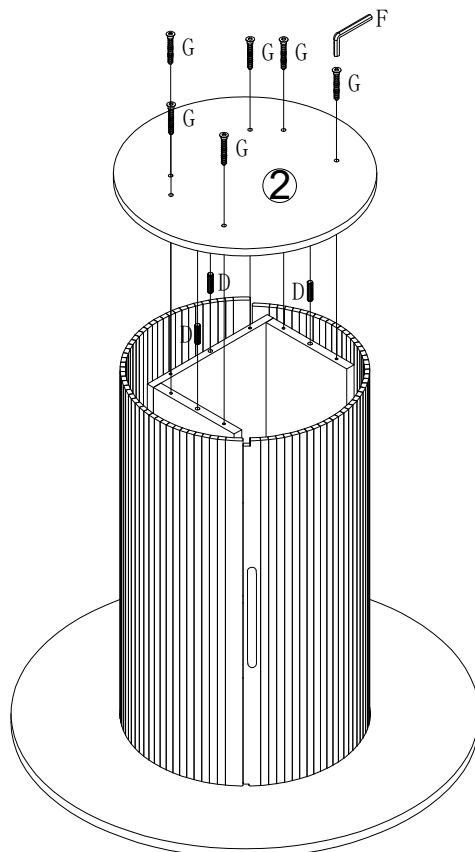
No. D  
Quantity: 3 Pcs  
8\*30mm



No. F  
Quantity: 1 Pcs  
4#

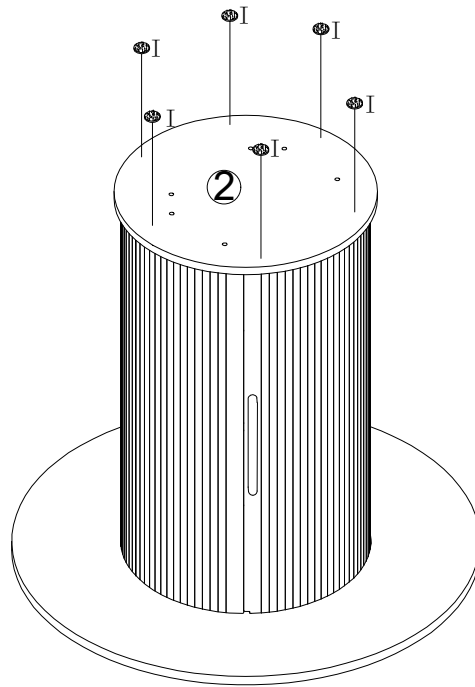


No. G  
Quantity: 6 Pcs  
M6\*40mm



**Note: When assembling here, first fix the screws but do not tighten them, first try whether the rolling door can be pushed and pulled smoothly, it cannot be pushed and pulled smoothly, you can gently pat it by hand, and then fix the screws after ensuring that the rolling door can be pushed and pulled smoothly.**

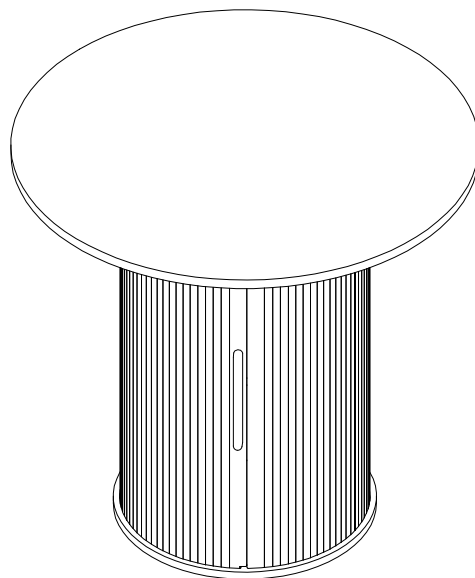
## STEP 9



No. I  
Quantity: 6 Pcs  
Ø20



## STEP 10



**Attention Please**  
After the sliding door is installed, it may be difficult to open and close. After pushing it repeatedly, it will become smoother.