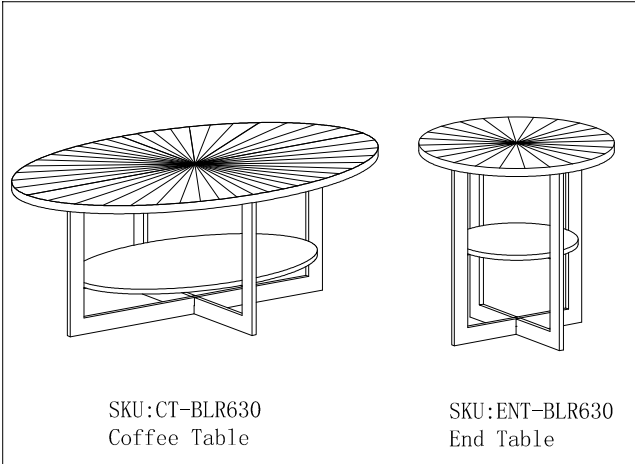


Assembly Instruction

Thank you for purchasing this quality product. Be sure to check all packing material carefully for small parts which may have come loose inside the carton during shipment. Identify and count all parts and compare with the part list below:

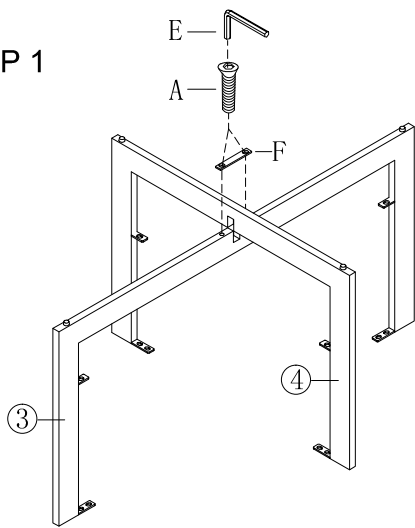
Do not tighten screws & bolts until the entire item is completely assembled.



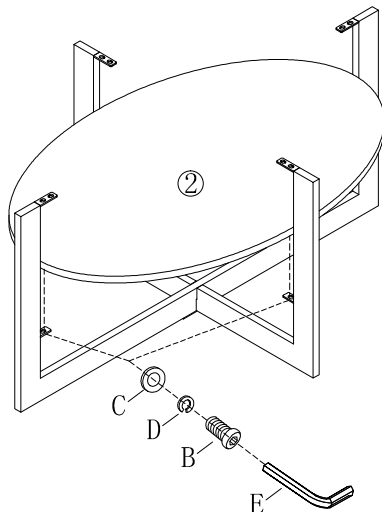
PARTS LIST

NO.	SKETCH	DESCRIPTION	Q' TY
①		Table Top Panel	1 pc
②		Shelf	1 pc
③		Leg A	1 pc
④		Leg B	1 pc

STEP 1

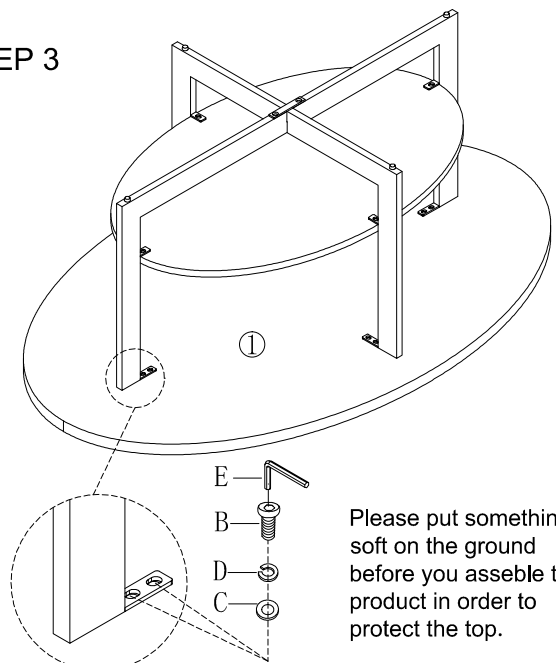


STEP 2



⑤ ASSEMBLY HARDWARE PACK			
NO.	SKETCH	DESCRIPTION	Q' TY
A		Bolt M6*19mm	2 pcs
B		Bolt M6*16mm	12 pcs
C		Flat Washer	12 pcs
D		Spring Washer	12 pcs
E		Allen Wrench 4mm	1 pc
F		Metal Plate	1 pc

STEP 3



Cleaning instruction: clean the surface with furniture polish and a soft cloth.