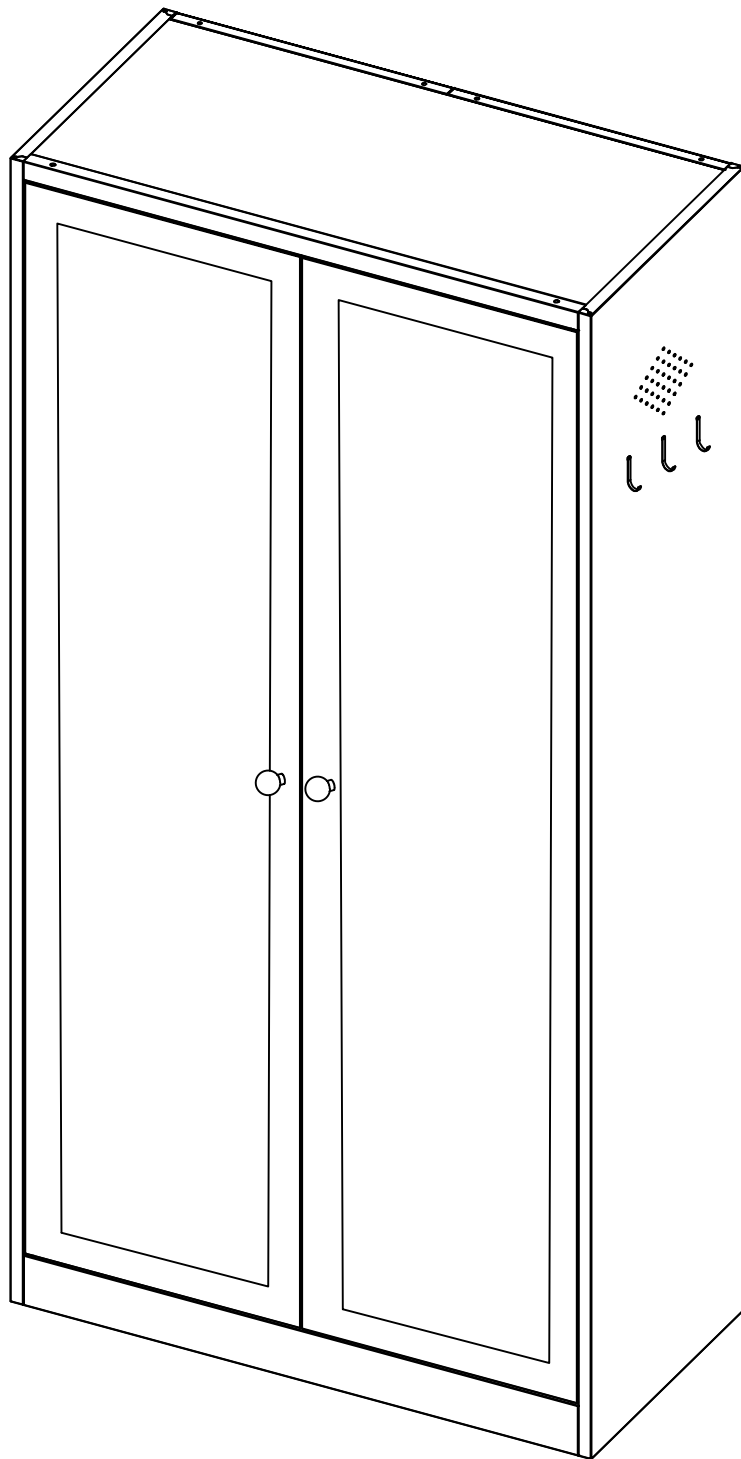
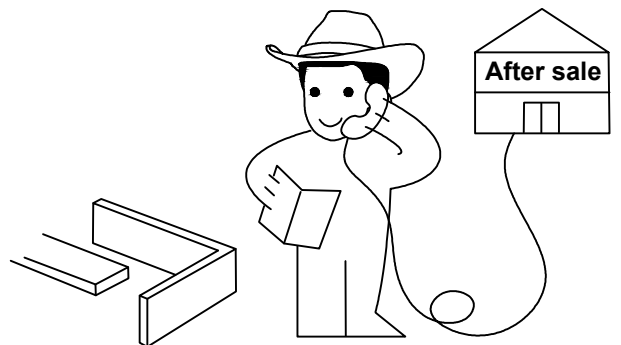
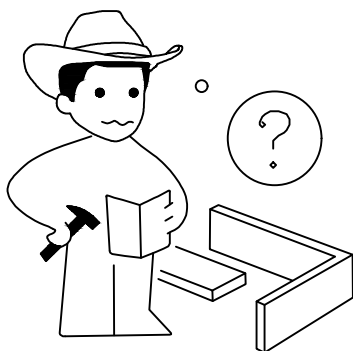
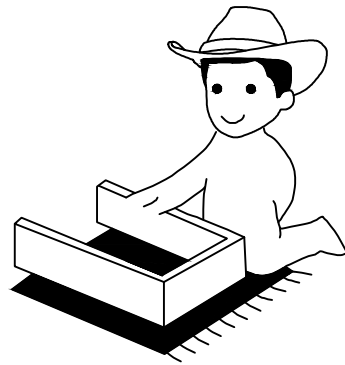
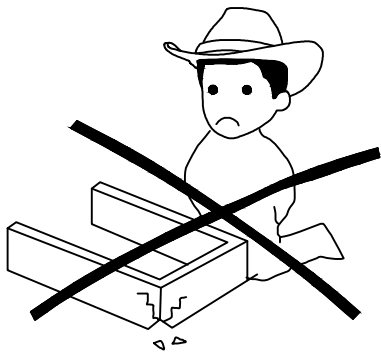
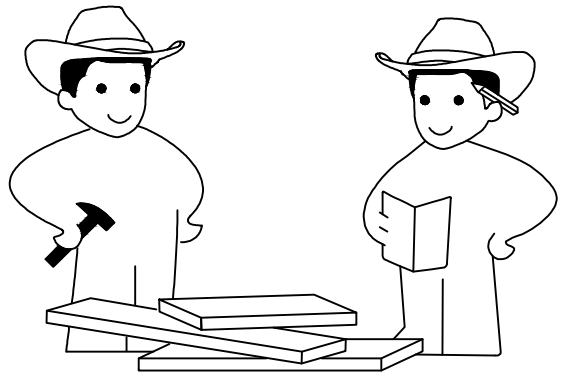
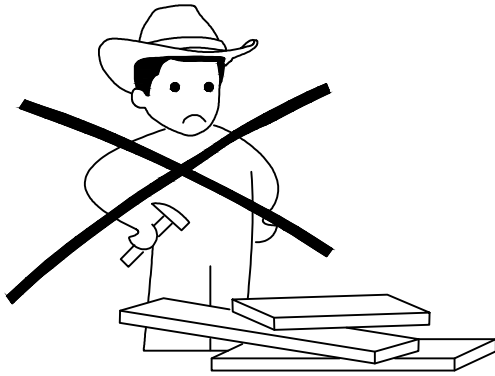
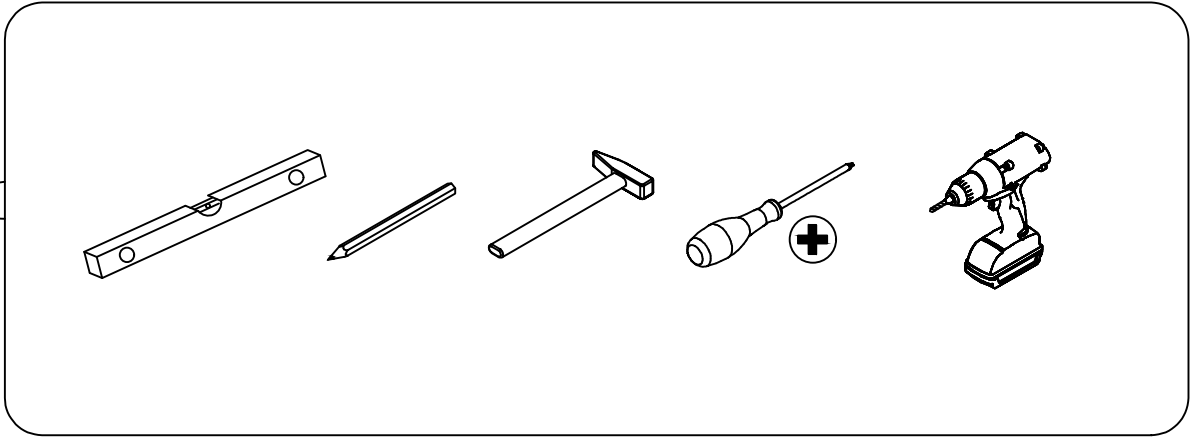
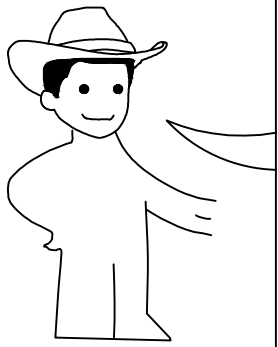
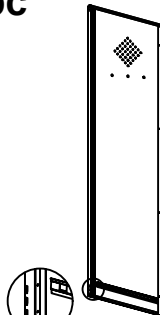
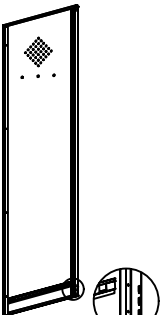

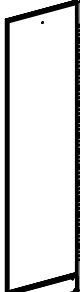
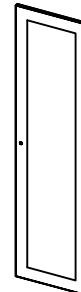

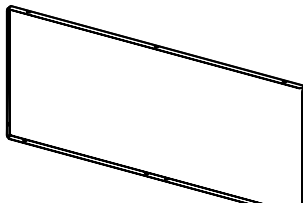
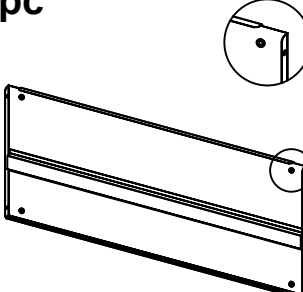
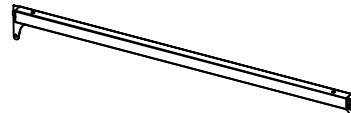
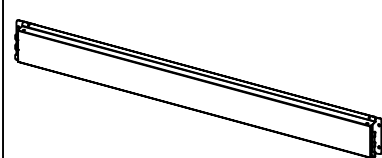
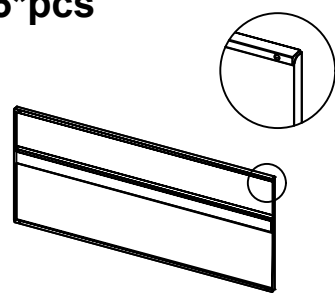
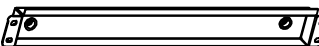
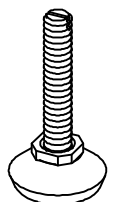


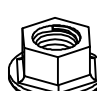


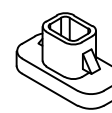
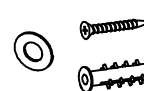
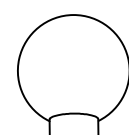




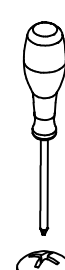

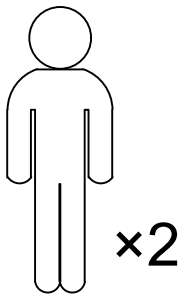
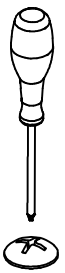
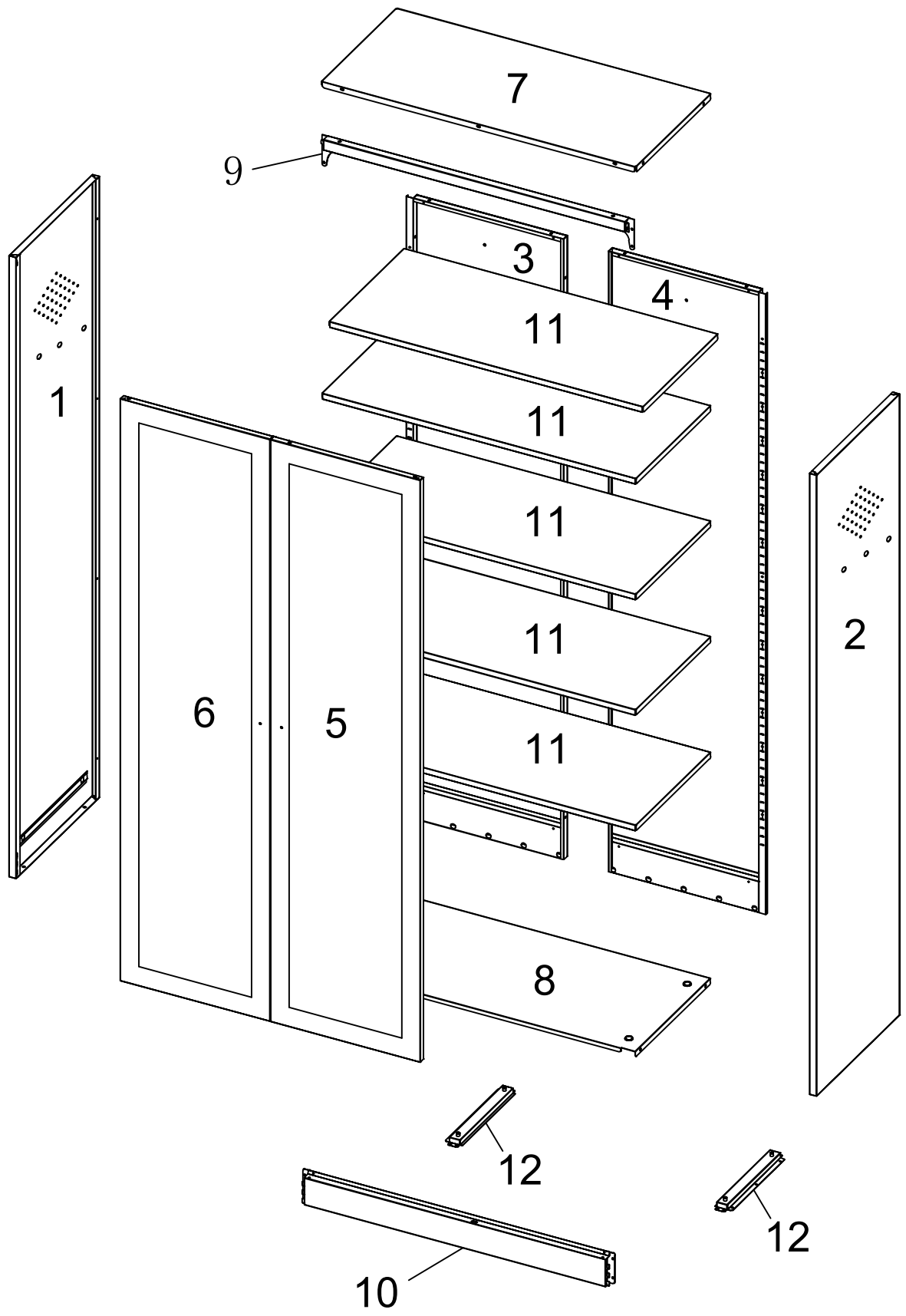


Installation & Assembly



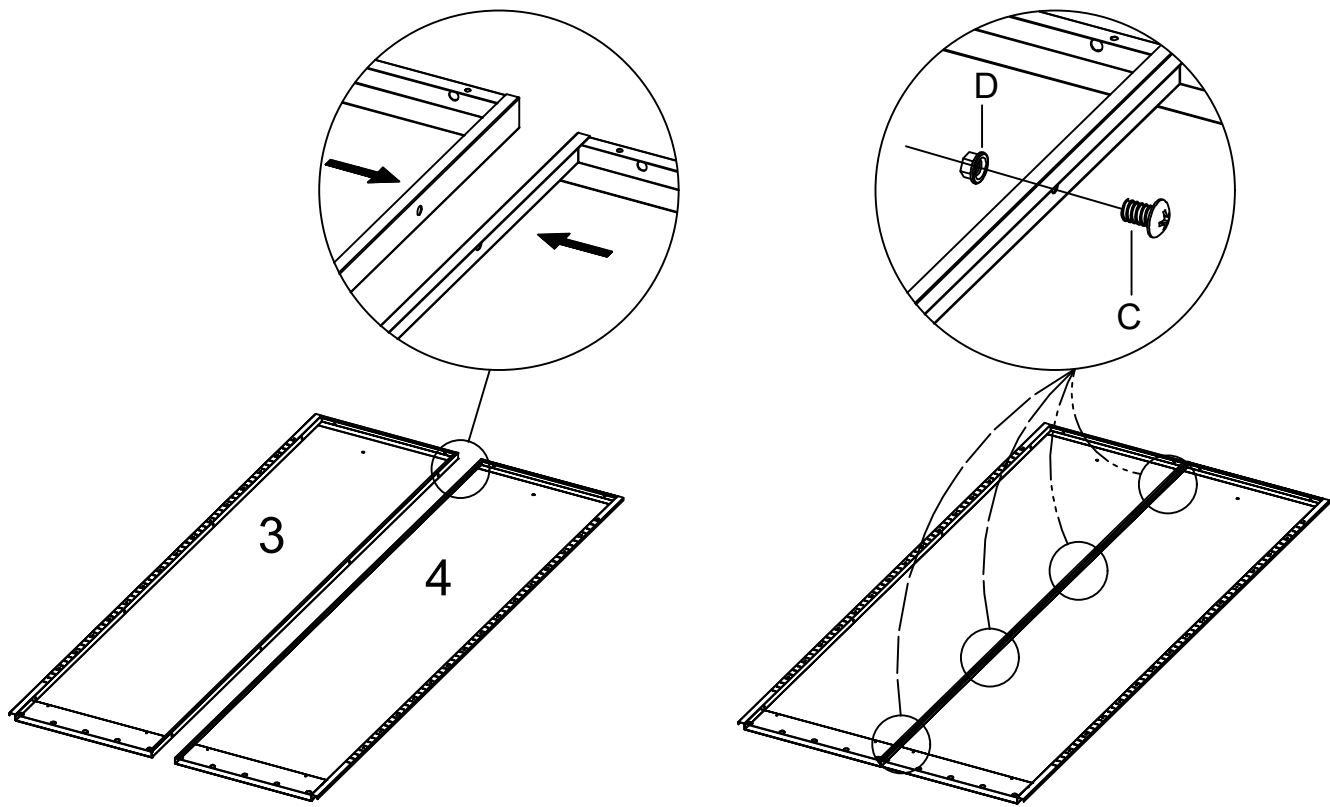


1x 1*pc 		2x 1*pc 		3x 1*pc 		4x 1*pc 	
5x 1*pc 		6x 1*pc 		7x 1*pc 		8x 1*pc 	
9x 1*pc 		10x 1*pc 		11x 5*pcs 		12x 2*pcs 	
Ax 4*pcs 	Bx 41*pcs 	Cx 4*pcs 	Dx 4*pcs 	Ex 20*pcs 	Fx 2*pcs 	Gx 4*pcs 	Hx 2*pcs 
Ix 2*pcs 	Jx 2*pcs 	kx 2*pcs Standby Application 	Mx 6*pcs 	Nx 4*pcs 			



1

Put the two rear walls together and put four bolts and nuts to hold them in place.



Cx4

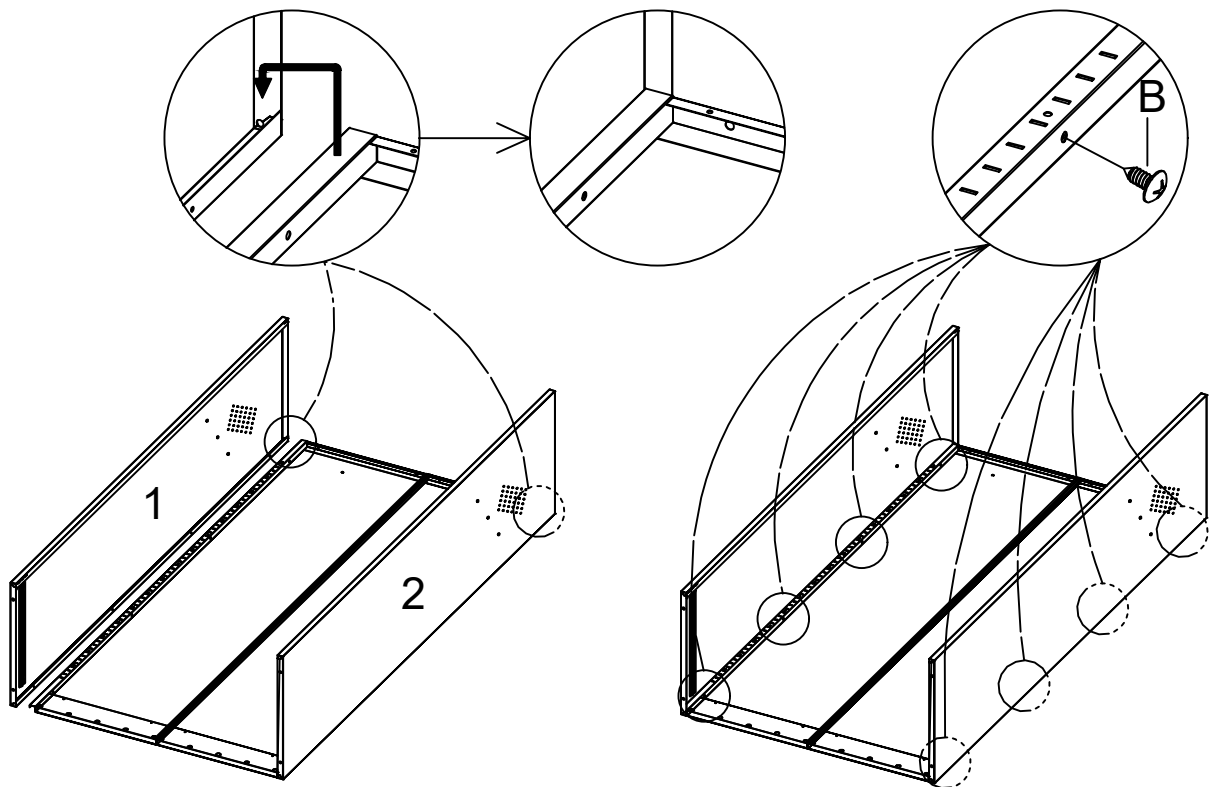


Dx4



2

Simply overlap each sidewall in the channel of the rear wall and put four screws on each side to hold them in place.

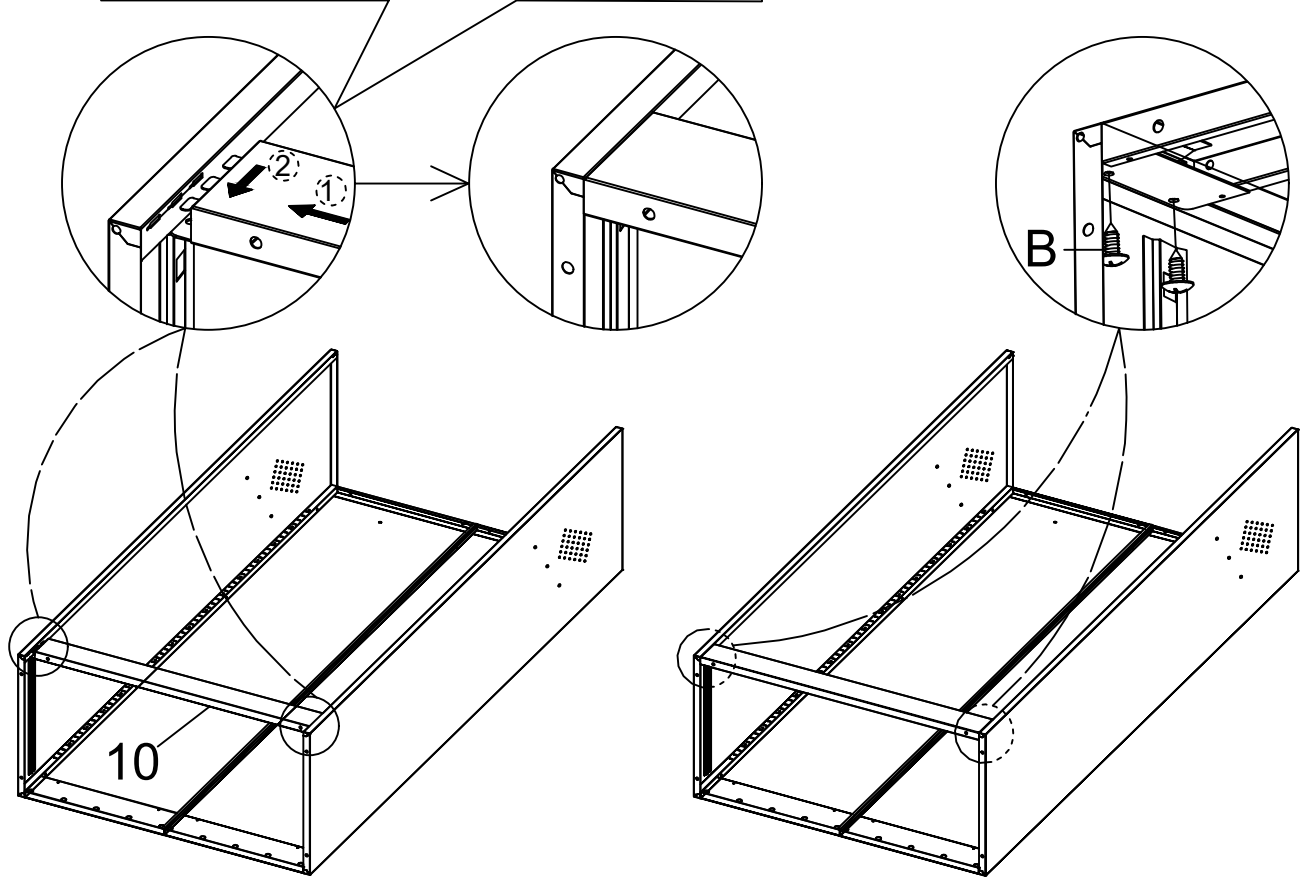


Bx8



3

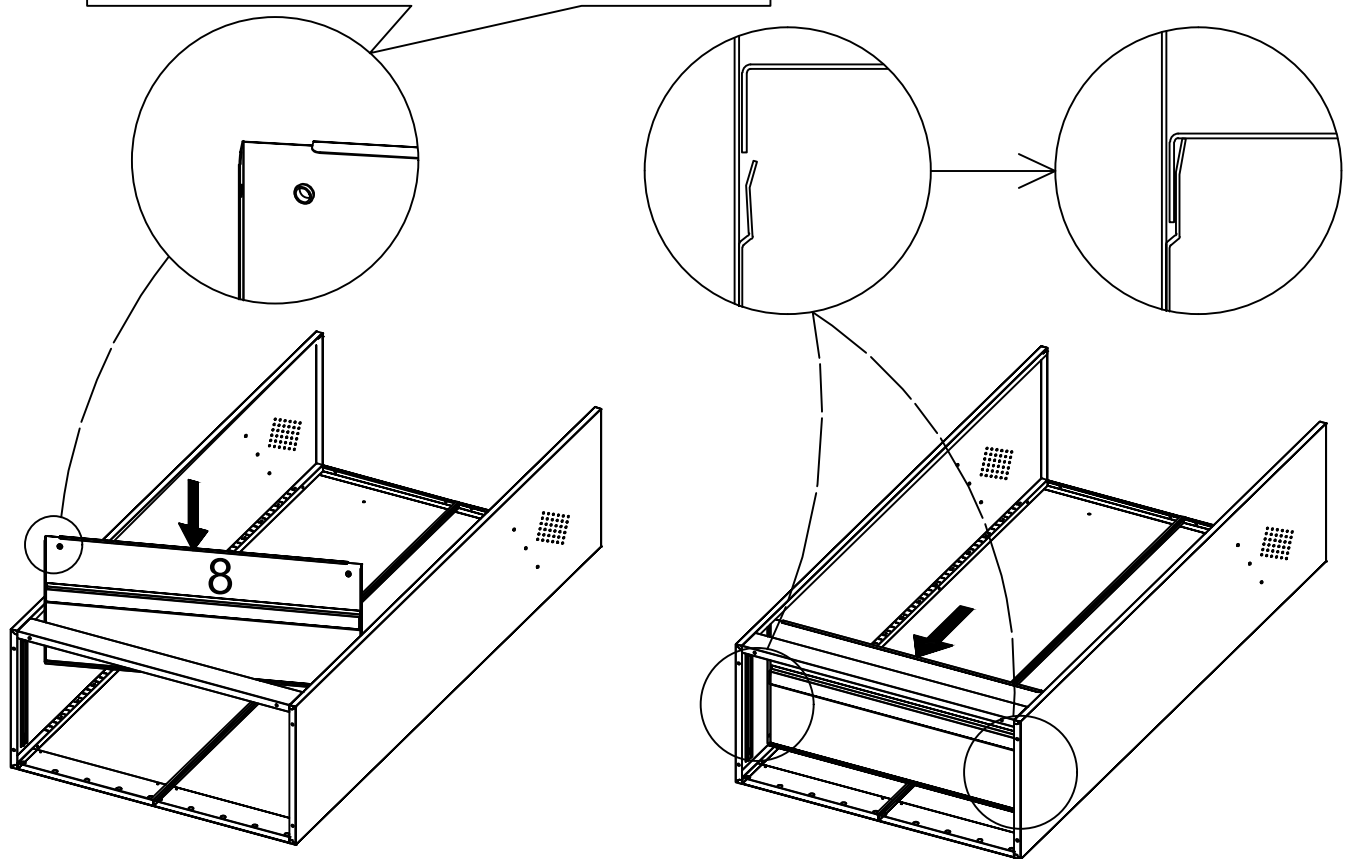
Snap the three buckles on either side of Part 10 into the three holes in both side panels and then push it down so that it snaps into the bottom of the cabinet.



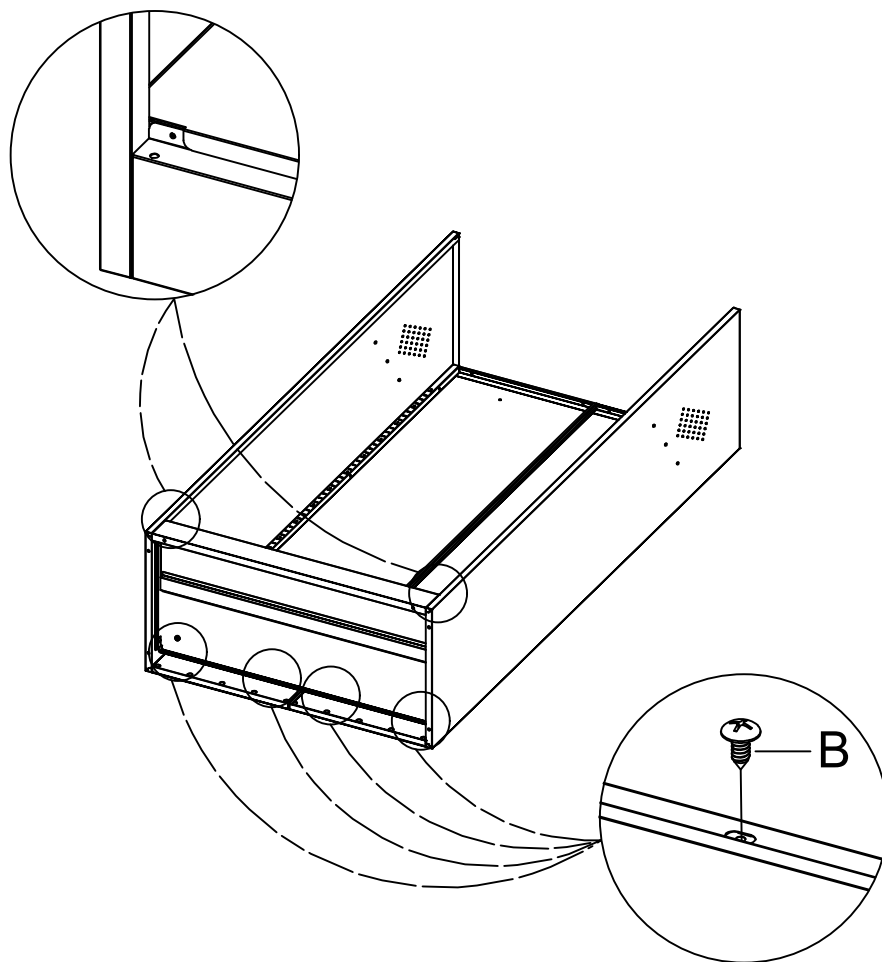
Bx4 


4

When placing Part 8, place the notched side facing forward.



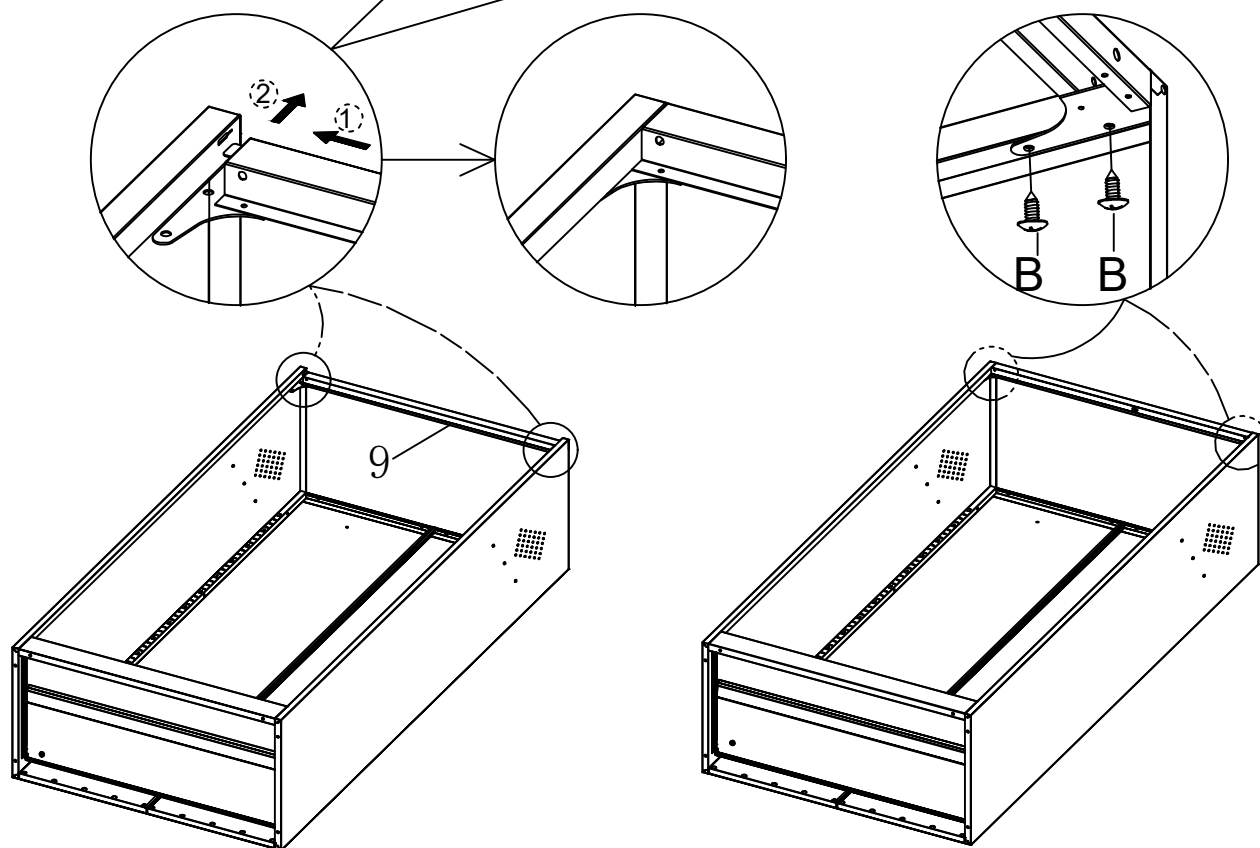
5



Bx4 

6

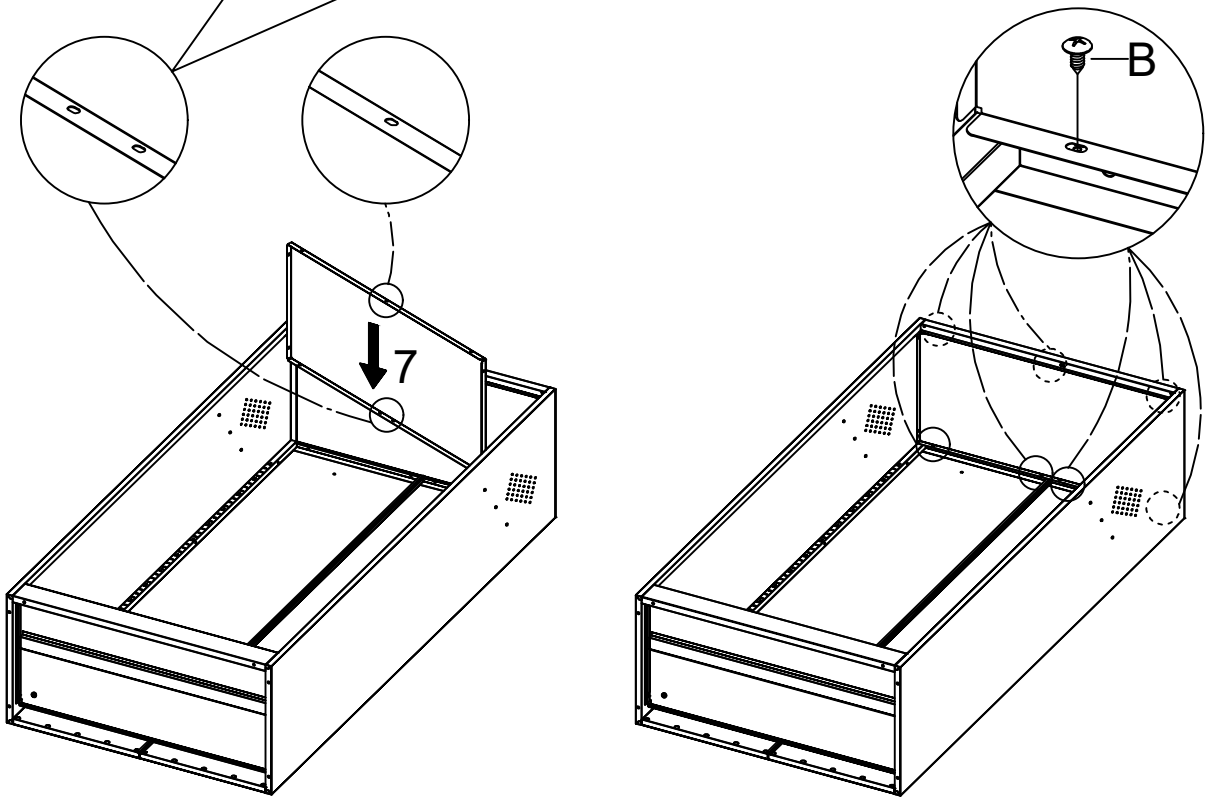
Snap the buckle on both sides of Part 9 into the hole in both side panels and push it up so that it snaps into the top of the cabinet.




Bx4 

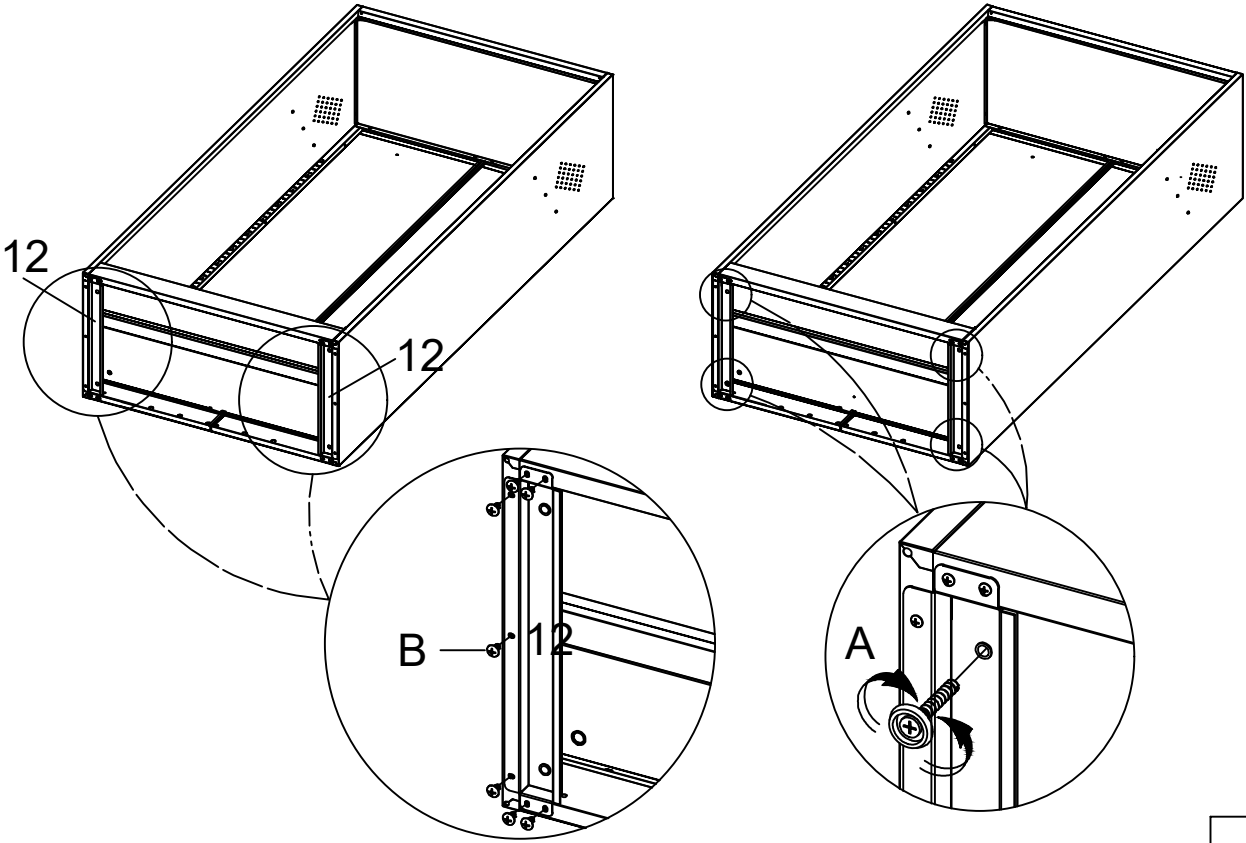
7


Part 7 has two holes on one side, facing the rear.



B×7 

8

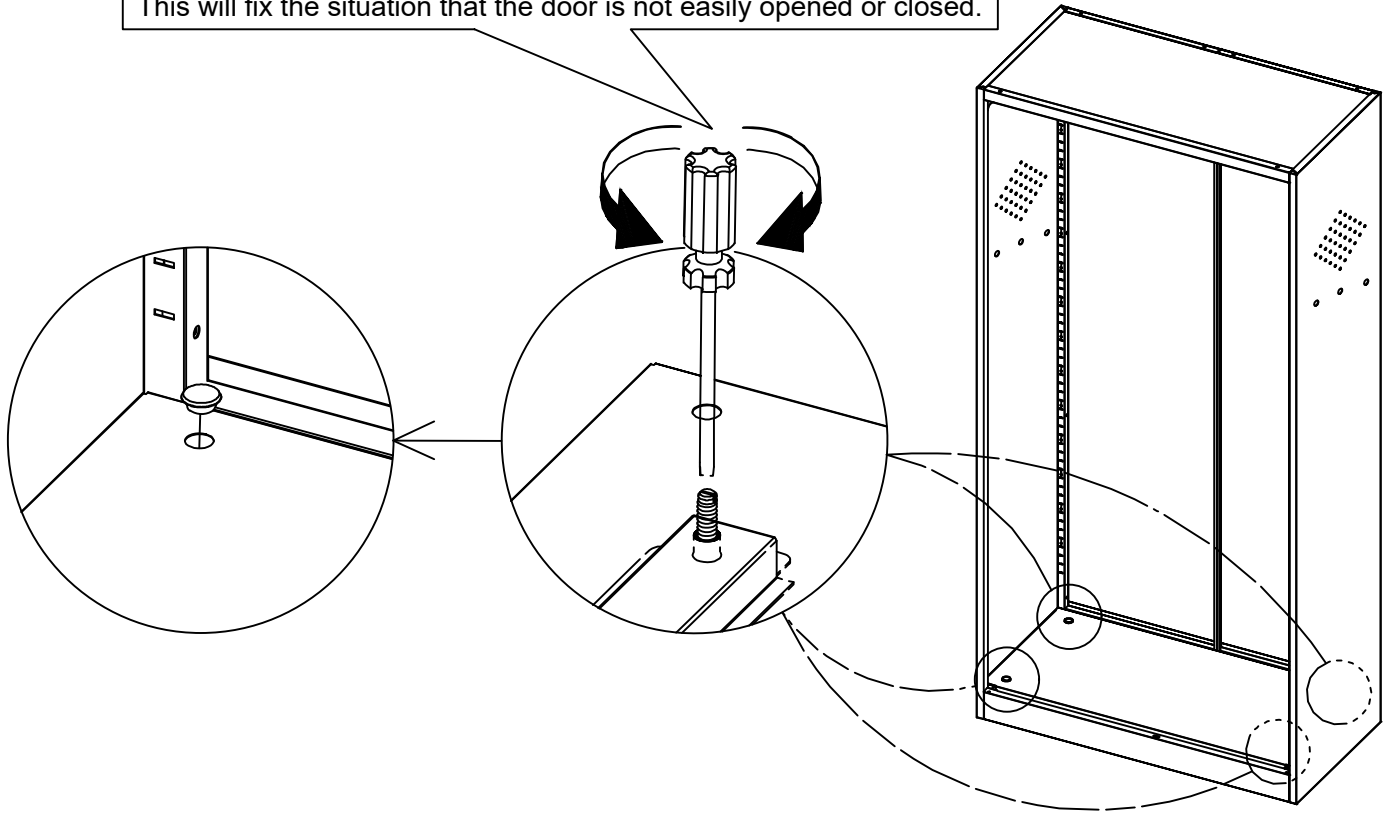


A×4 

B×14 

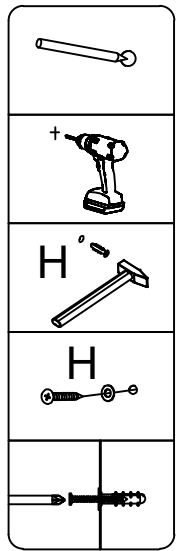
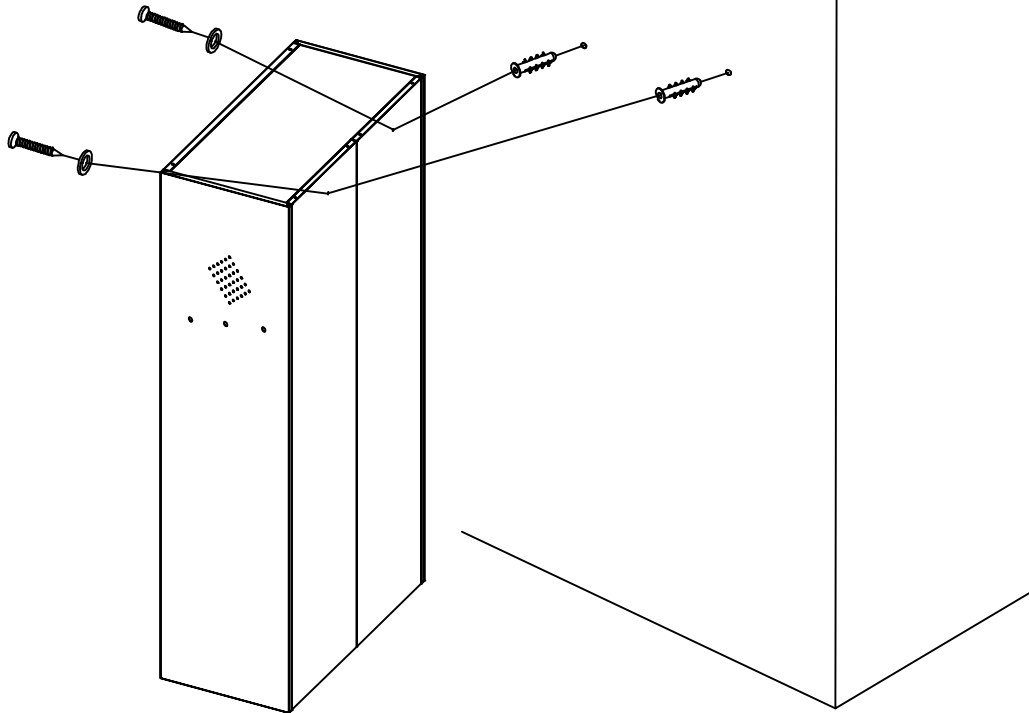
9

If the ground is uneven, it can be adjusted by rotating the screw A. This will fix the situation that the door is not easily opened or closed.



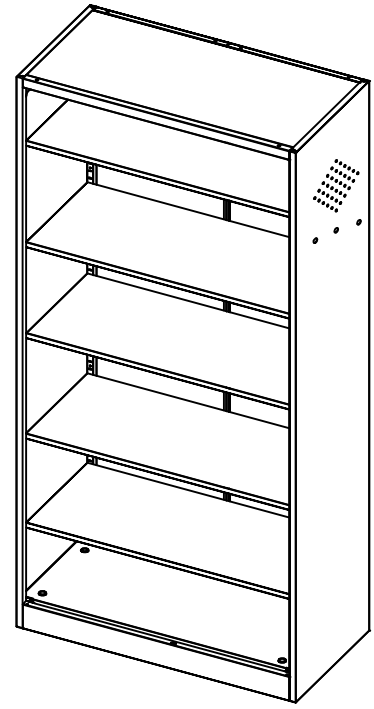
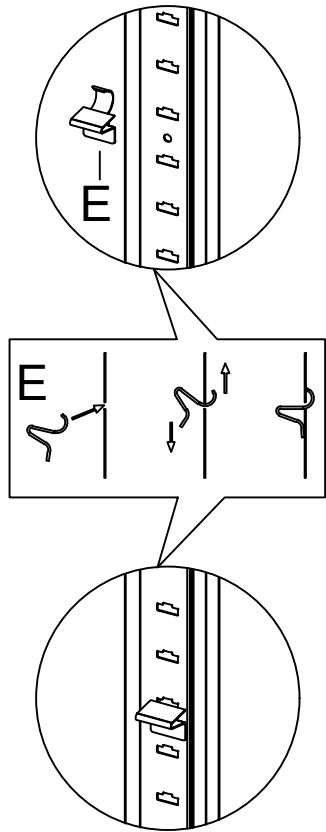
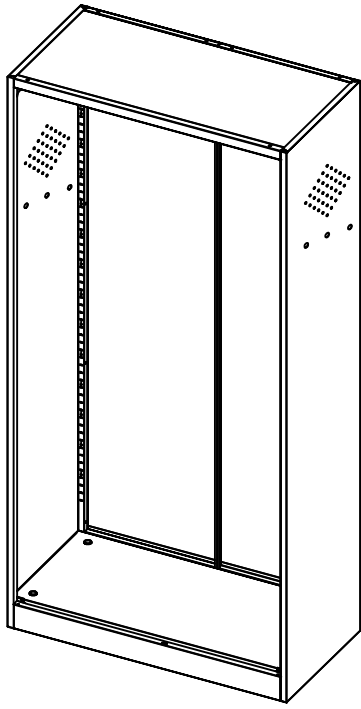
10


The cabinet can be fixed to the wall as needed.



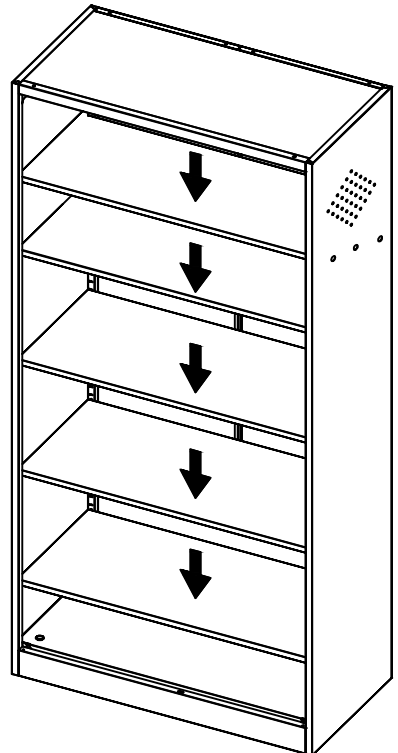
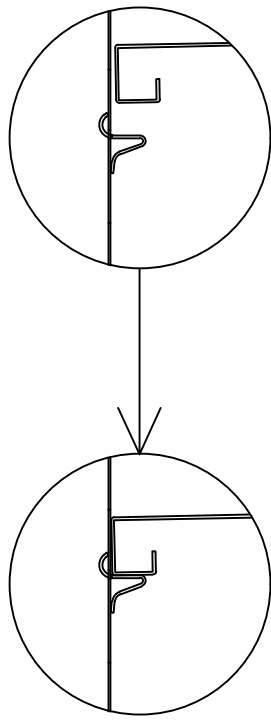
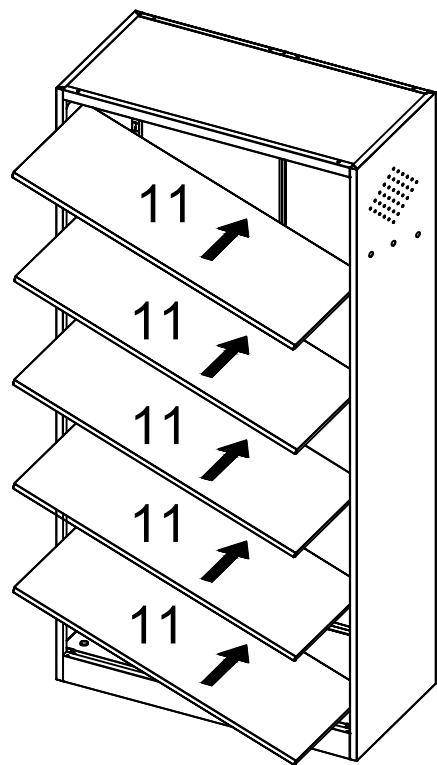
H×2  

11



E×20 

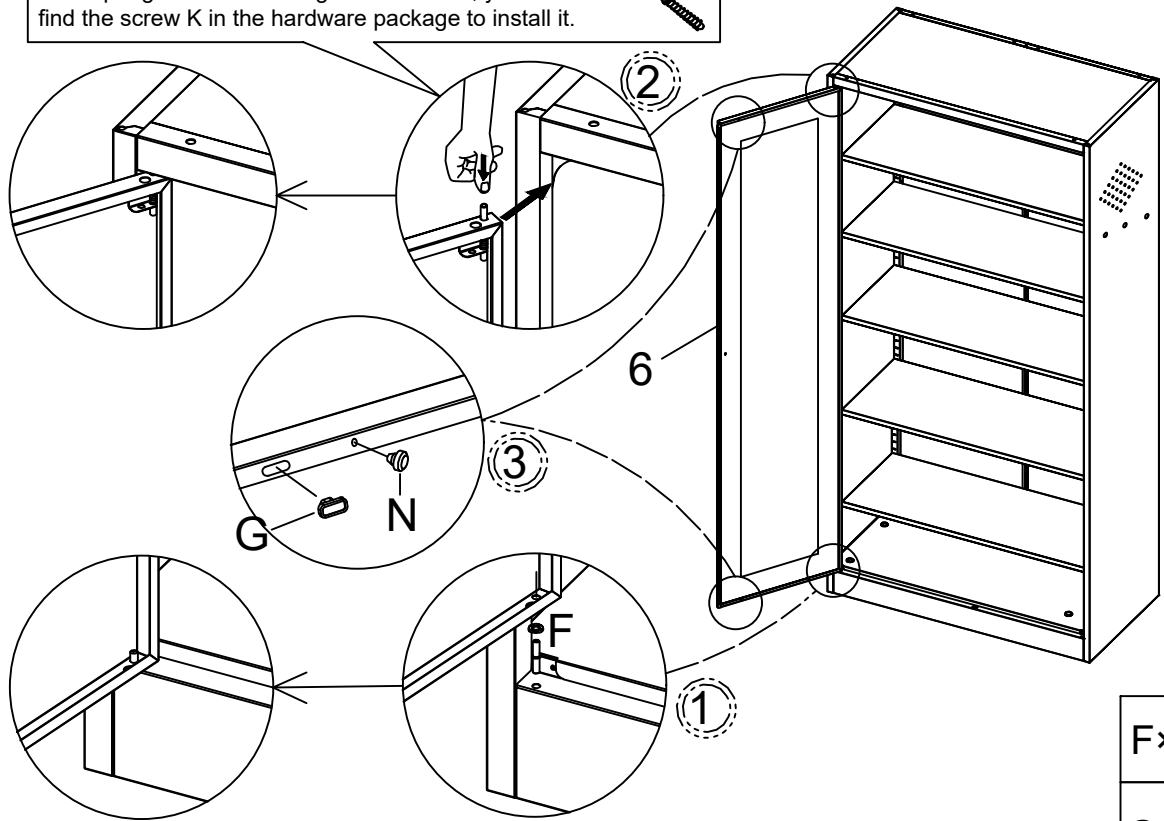
12



13

Install the door by first installing the door pin F, then by pressing the spring shafts on the top of the door.

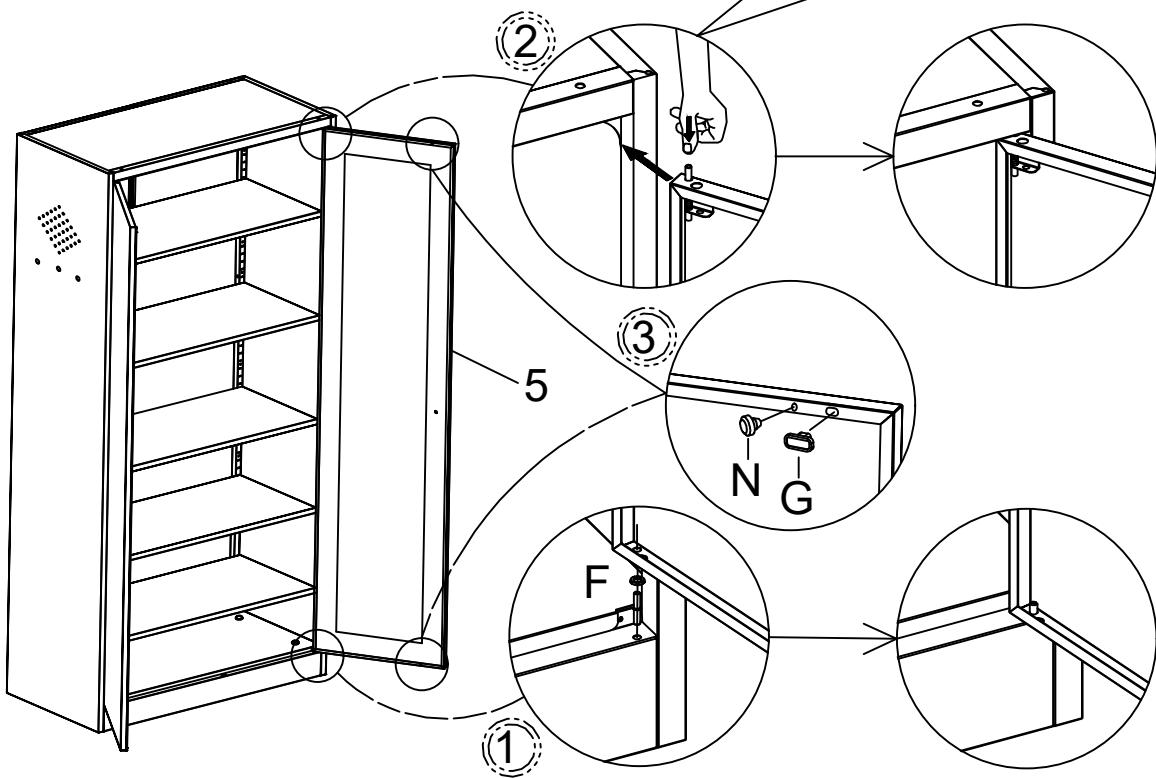
If the spring screw is missing from the door, you can find the screw K in the hardware package to install it.



F×1	
G×2	
N×2	

14

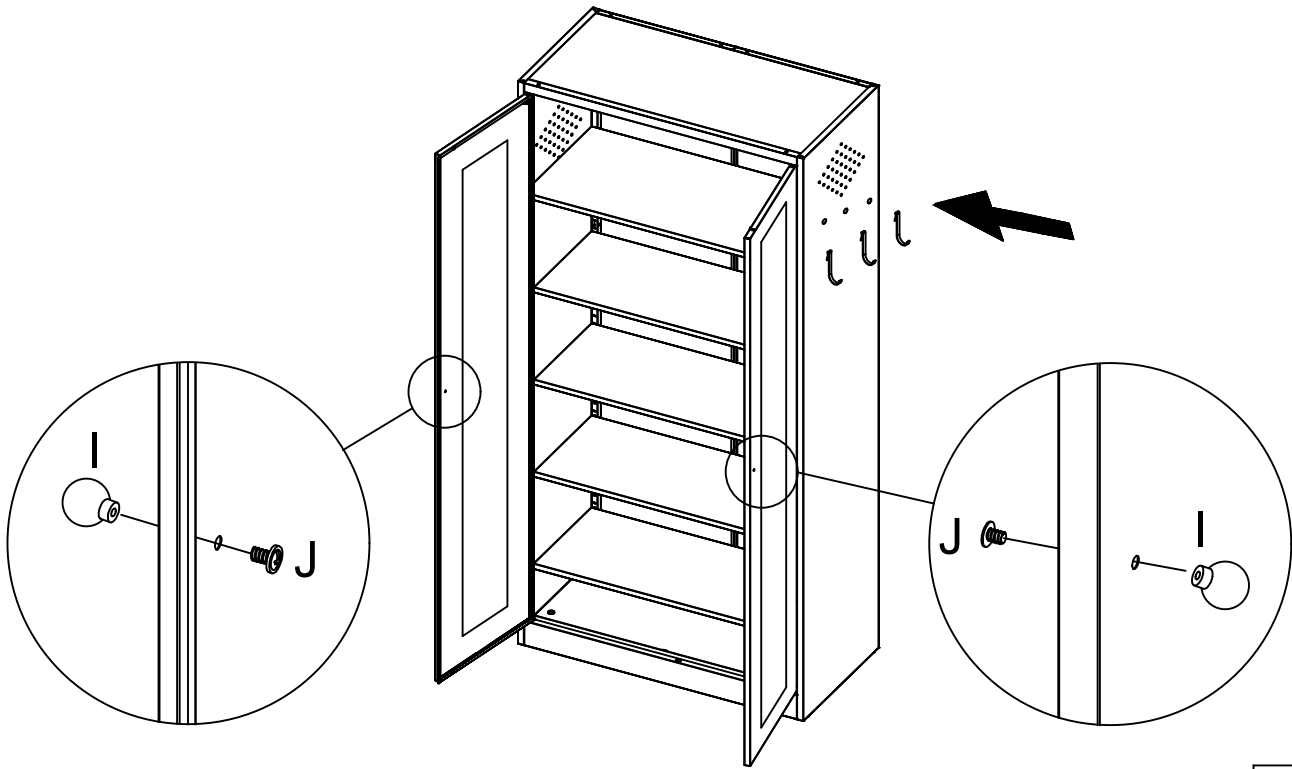
If the spring screw is missing from the door, you can find the screw K in the hardware package to install it.





F×1	
G×2	
N×2	

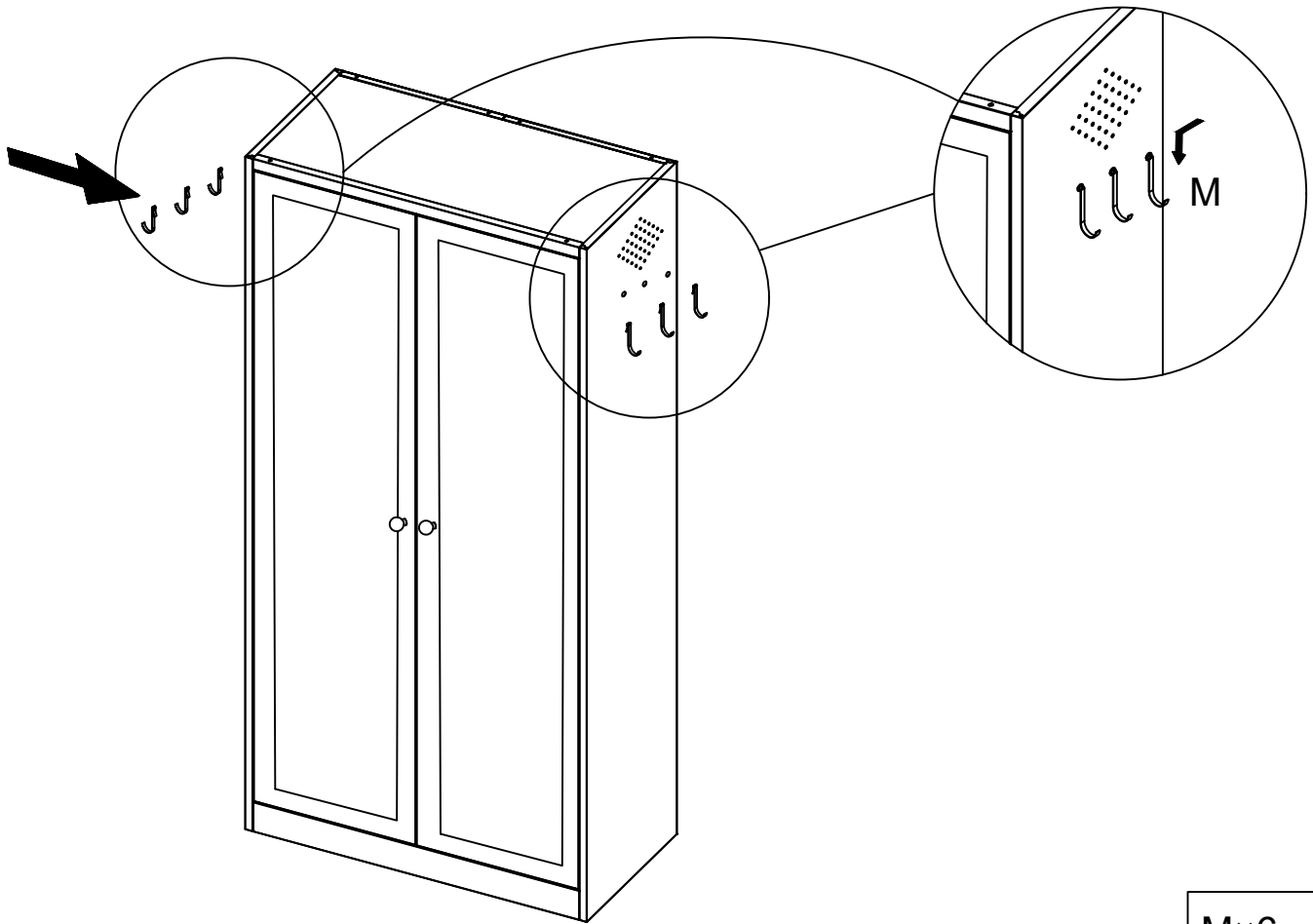
15

Attach the handle I to the door panels and secure them with screws J.



- 1x2 
- Jx2 

16



- Mx6 