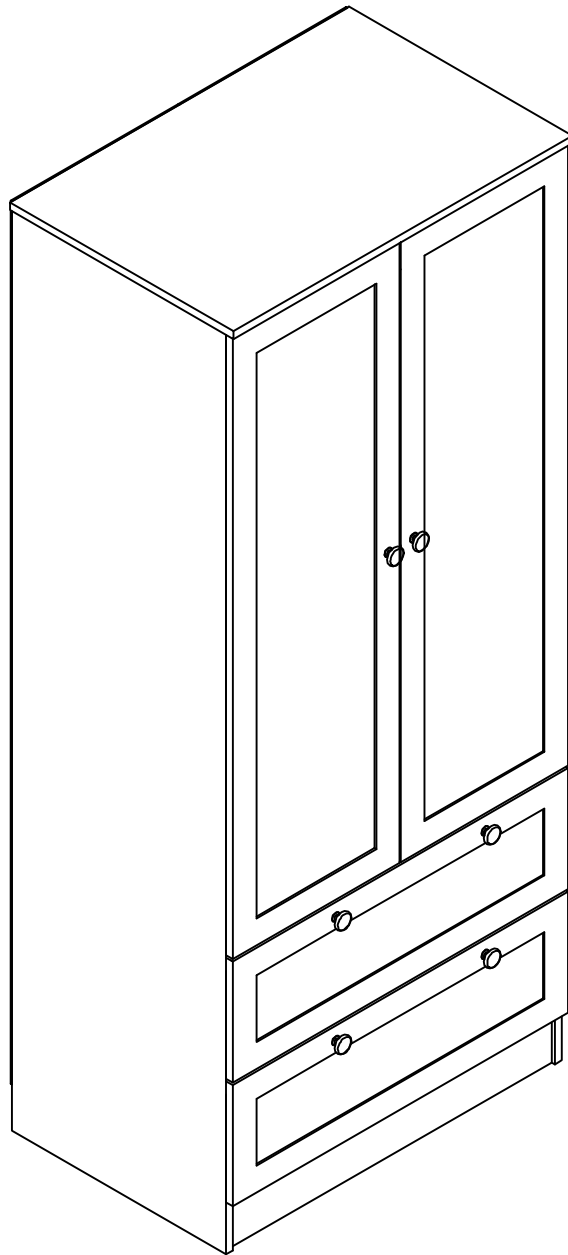


2 DOOR COMBI WARDROBE

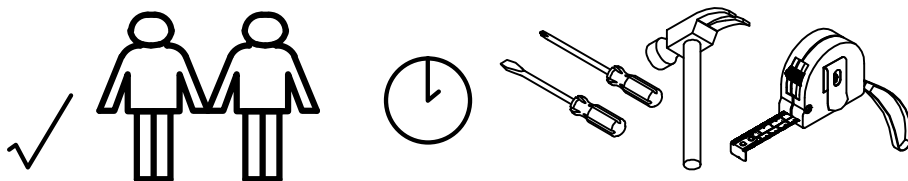
ASSEMBLY INSTRUCTION - Please Keep For Future Reference



Safety and Care Advice

IMPORTANT - Please Read This Instruction Carefully Before Assembly.

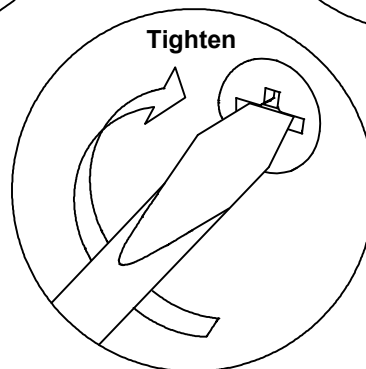
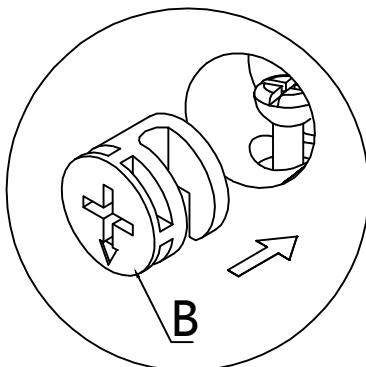
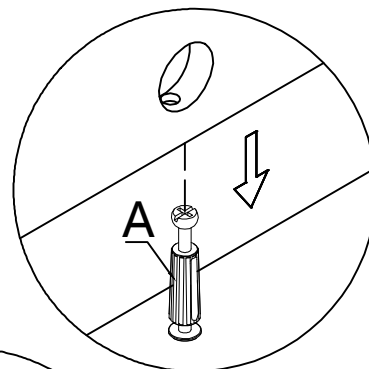
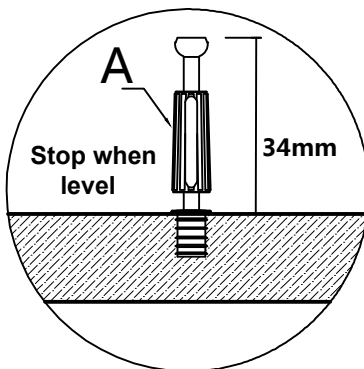
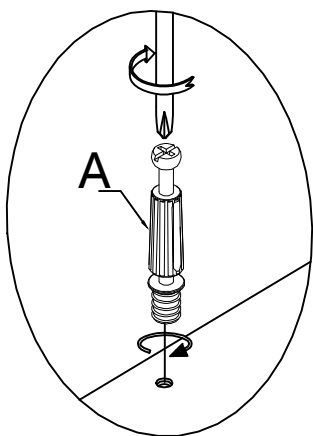
- Check you have all the components and tools listed on page 3.
- Remove all settings from the plastic bags and separate them into their groups.
- Keep children and animals away from the work area, small parts could choke if swallowed.
- Make sure you have enough space to layout the parts before assembly.
- Do not stand or put weight on the product, this could cause damage.
- Assemble the item as close to its intended position (in the same room) as possible.
- Assemble on a soft level surface to avoid damaging the unit.
- Parts of the assembly will be easier with 2 people.
- Do not use power drill/drivers for assembly, or the unit may be damaged.
- Dispose of all packaging carefully and responsibly.



CARE and MAINTENANCE

- Only clean using a damp cloth and mild detergent, do not use bleach or abrasive cleaners.
- From time to time check that there are no loose screws on this unit.
- This product should not be discarded with household waste. Take to your local authority waste disposal center.

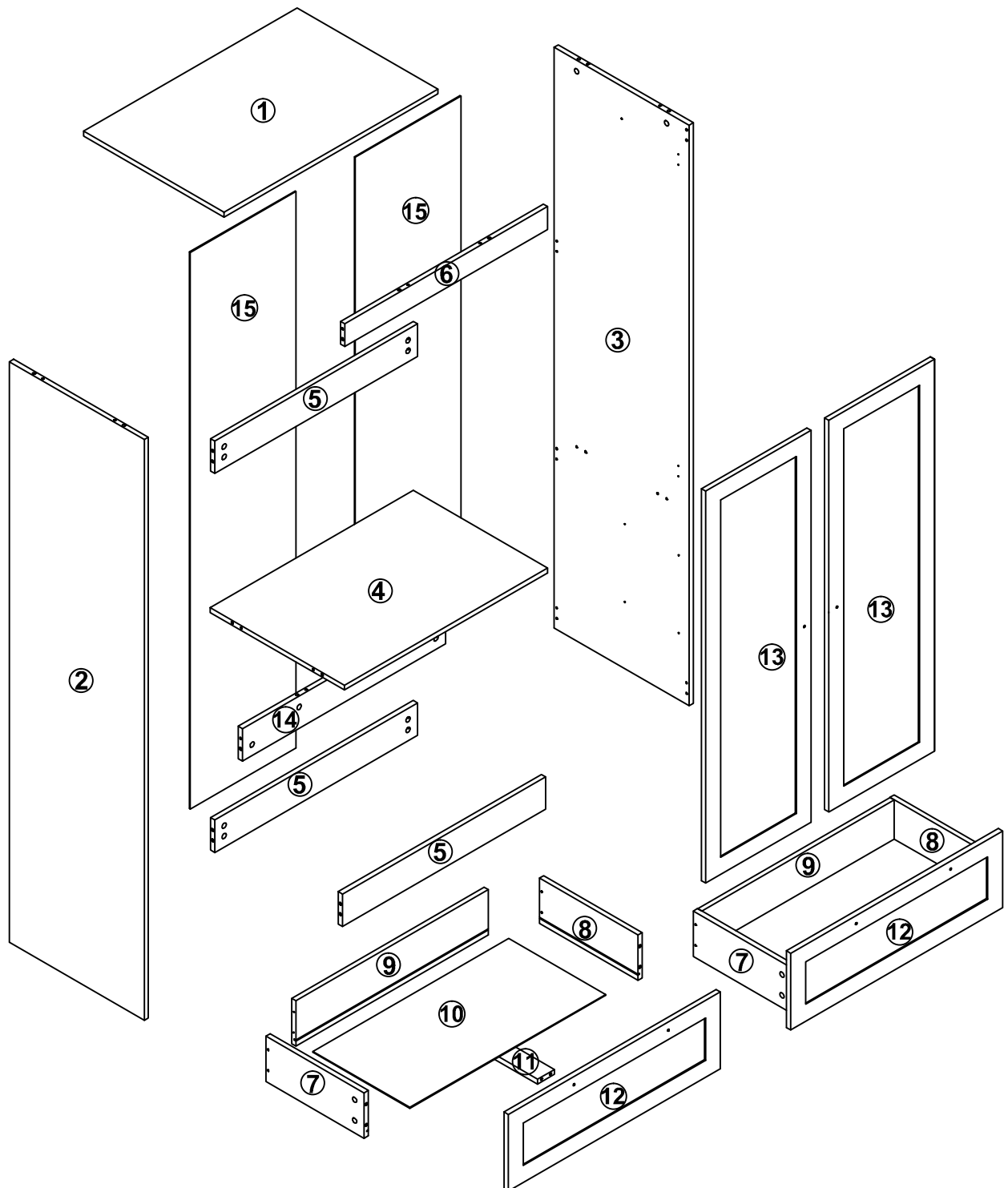
General Hints & Tips



Components and Tools

IMPORTANT - Please Check If You Have All The Components and Tools.

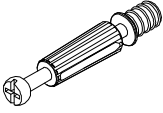
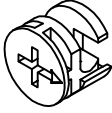
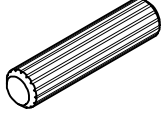
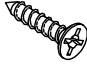
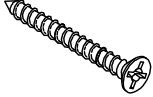
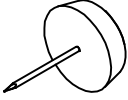

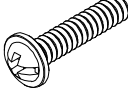

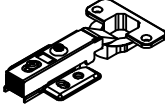

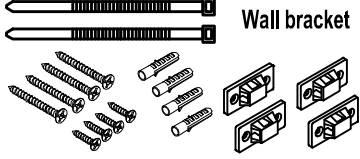

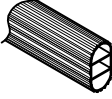
Note: The quantities below are the correct amount to complete the assembly. In some cases more pieces may be supplied than are required.



Components and Tools

IMPORTANT - Please Check If You Have All The Components and Tools.

Note: The quantities below are the correct amount to complete the assembly. In some cases more pieces may be supplied than are required.

<p>A=36</p>  <p>Peg M6*34mm</p>	<p>B=36</p>  <p>Lock M15*12mm</p>	<p>C=24</p>  <p>Dowel M8*30mm</p>	<p>D=46</p>  <p>Screw M3.5*14mm</p>	<p>E=8</p>  <p>Screw M4*38</p>	<p>F=4</p>  <p>Plastic Feet</p>
<p>G=22</p>  <p>Pin</p>	<p>H=6</p>  <p>Screw M4*18</p>	<p>I=2</p>  <p>Clothes Holder</p>	<p>J=4</p>  <p>Full Overlay</p>	<p>CR CL DR DL=2</p>  <p>Drawer Runner</p>	
<p>P=1</p>  <p>Wall bracket</p>		<p>K=6</p>  <p>Handle O5</p>	<p>L=1</p>  <p>Clothes Bar 760mm</p>		

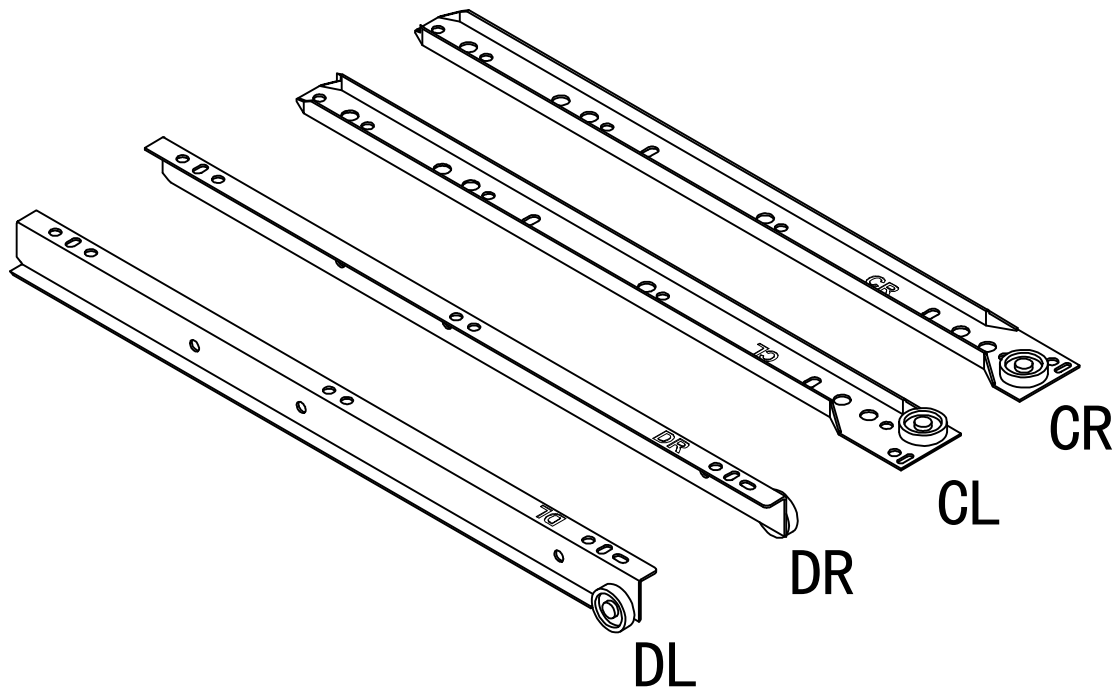
1OF2 ②, ③, ⑬X2, ⑮X2,

2OF2 ①, ④, ⑤X3, ⑥, ⑦X2, ⑧X2, ⑨X2, ⑩X2, ⑪X2, ⑫X2, ⑭, FITTING KIT

Drawer Runner Instruction

IMPORTANT - Please Read It Carefully.

NOTE: 1 PAIR DRAWER RUNNER INCLUDES 4 PIECES.



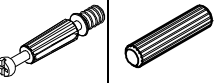
Fittings (not to scale)

NO.	DESCRIPTION	QTY		
CR	Outer Drawer Runner - Right	2PCS		
CL	Outer Drawer Runner - Left	2PCS		
DR	Inner Drawer Runner - Right	2PCS		
DL	Inner Drawer Runner - Left	2PCS		

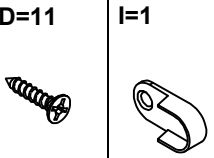
Assembly Instruction

Step 1

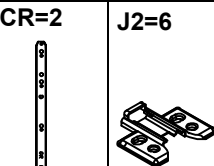
A=10 C=2



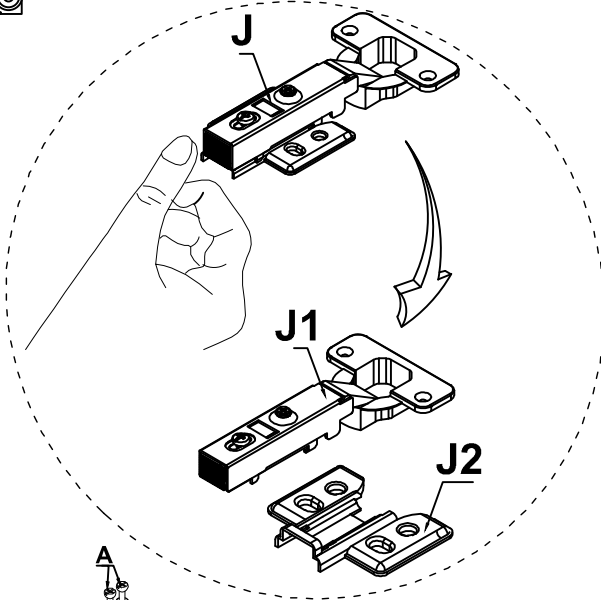
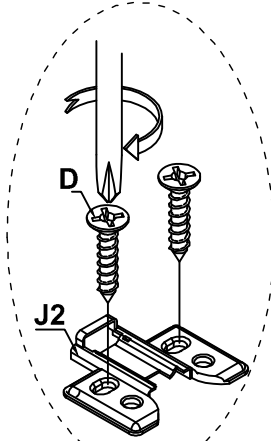
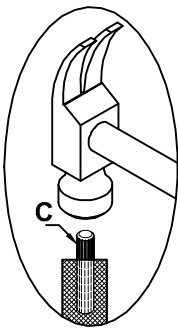
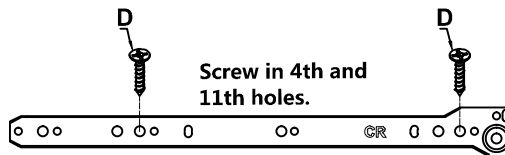
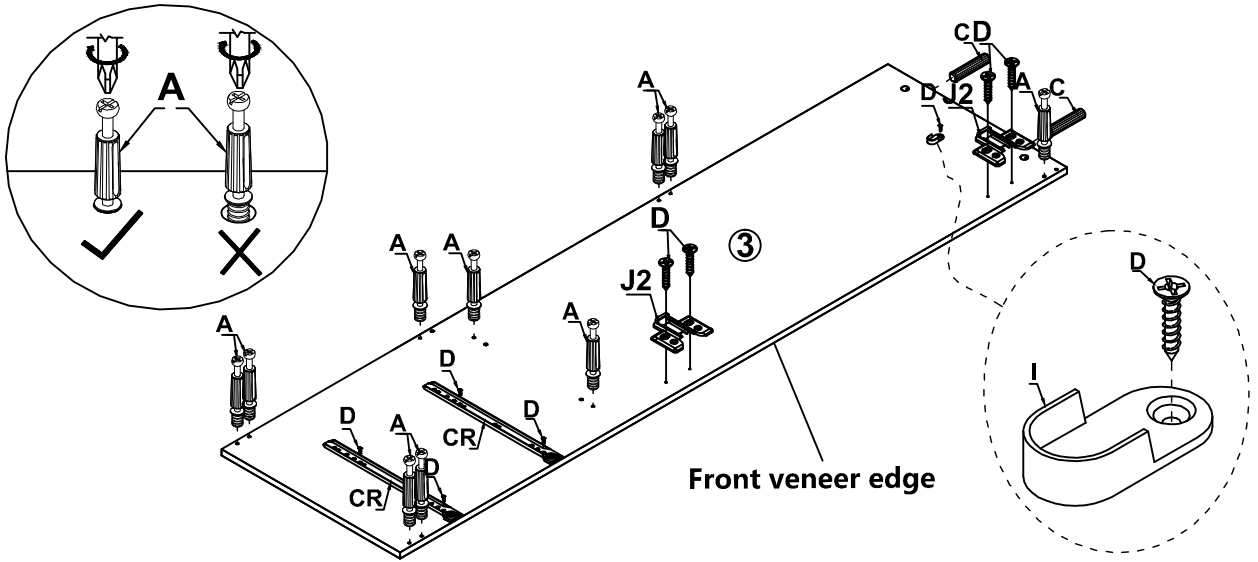
Peg Dowel



Screw Clothes Holder

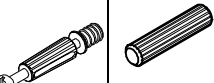


Drawer Runner

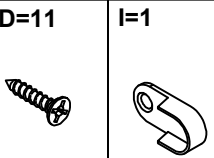


Step 2

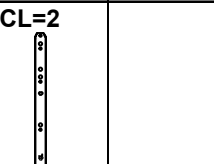
A=10 C=2



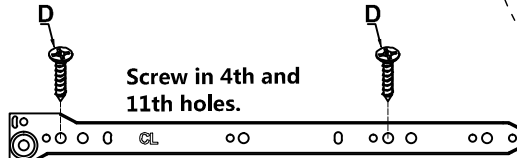
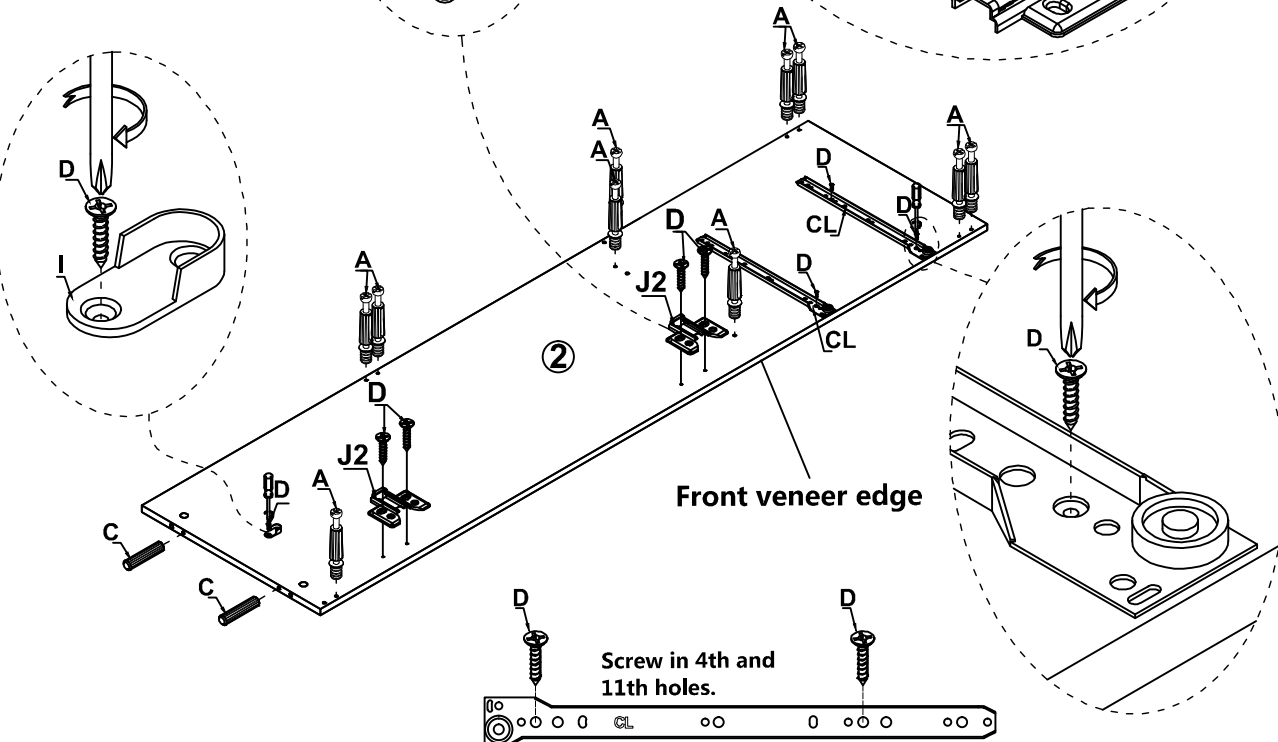
Peg Dowel



Screw Clothes Holder

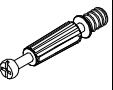



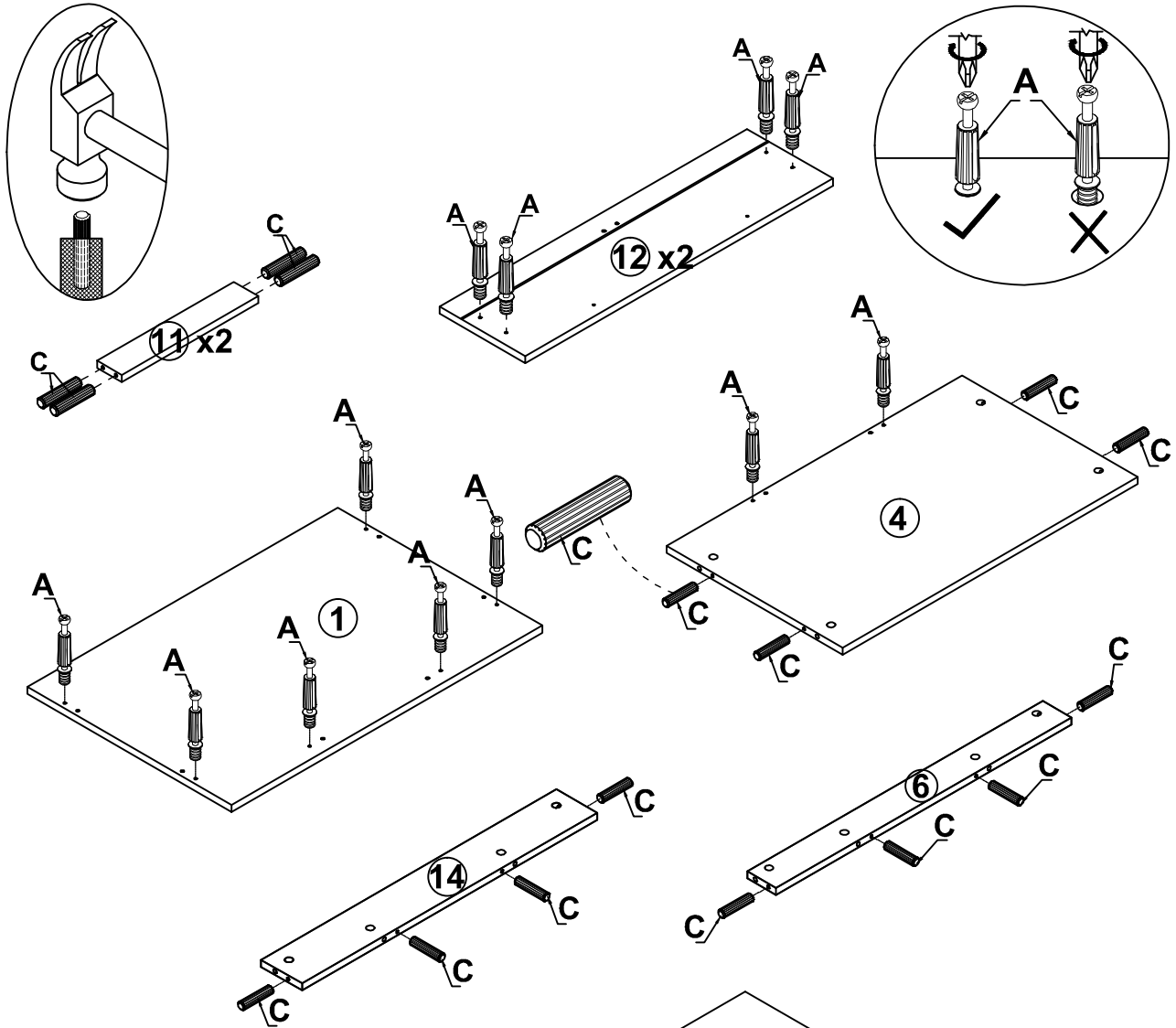
Drawer Runner





Assembly Instruction

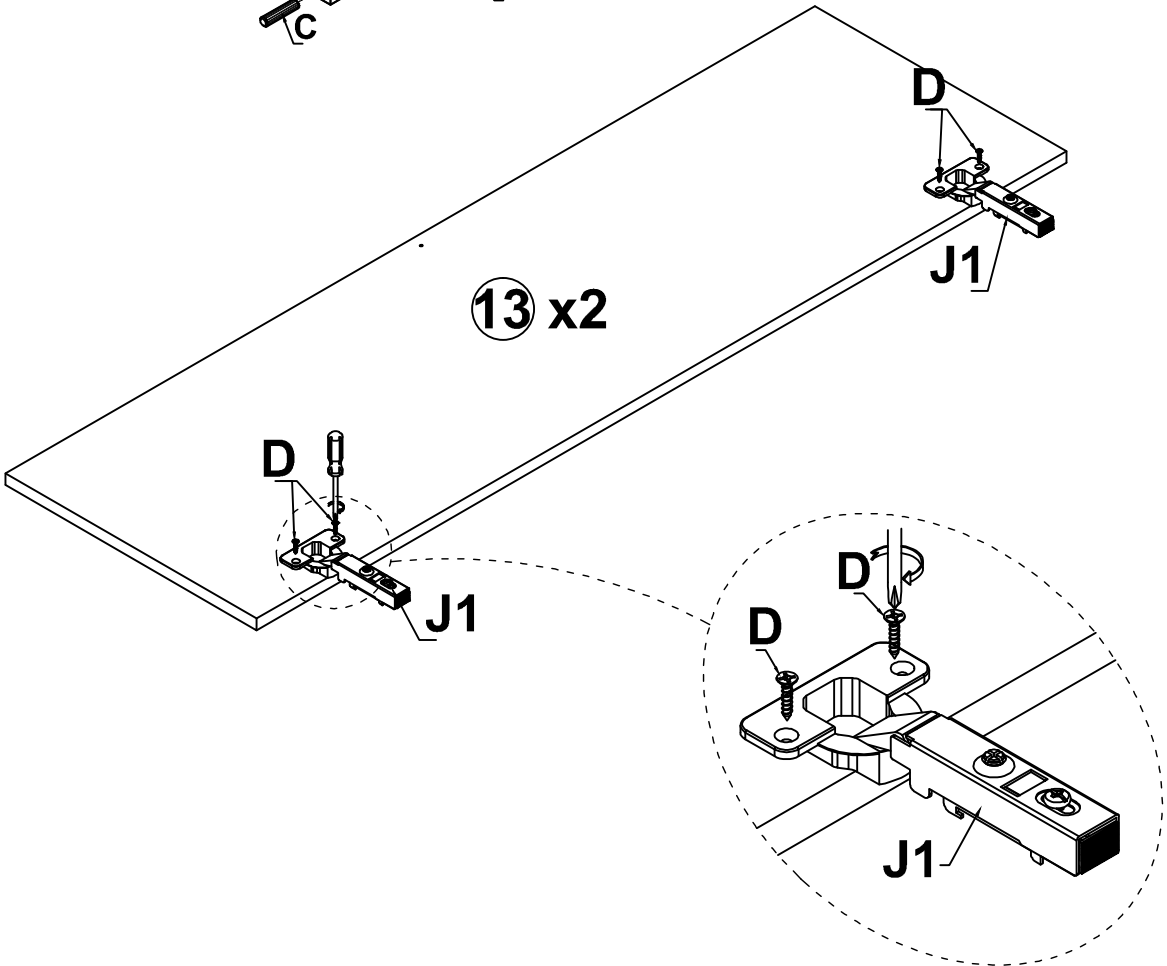
Step 3

A=16	C=20
	
Peg	Dowel



Step 4

J1=4	D=8
	
Door Hinge	Screw M3.5*14mm



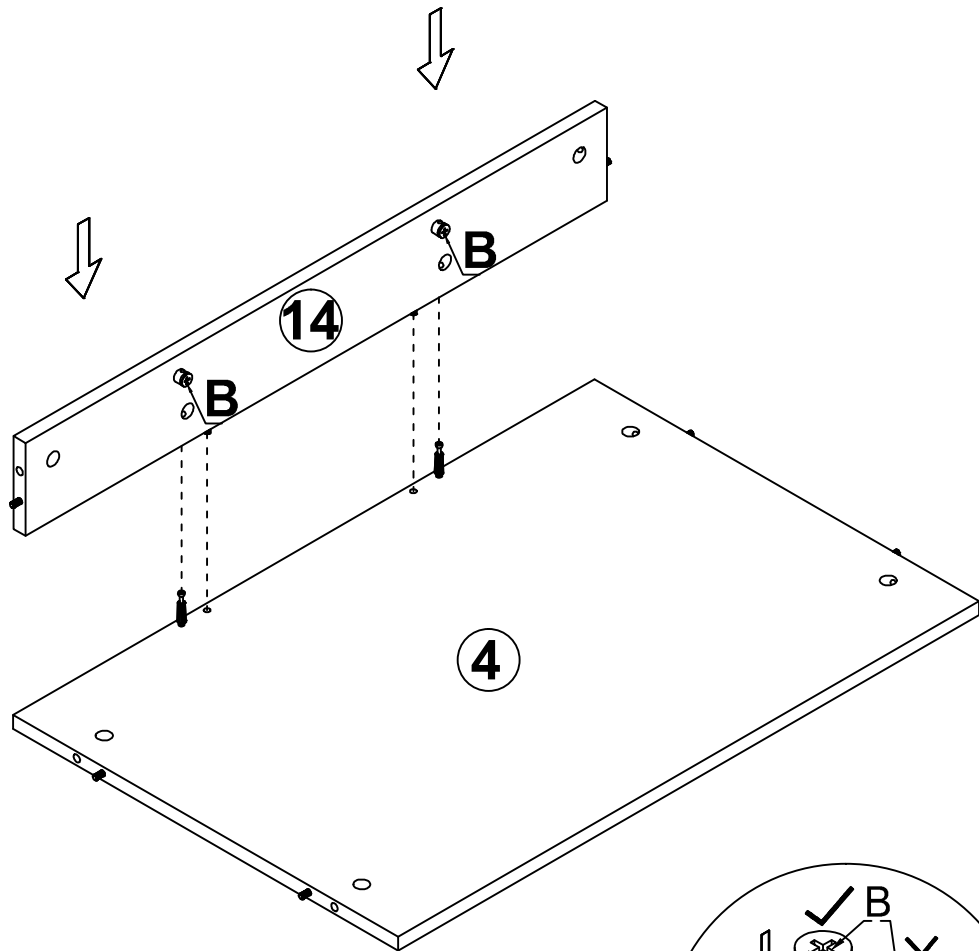
Assembly Instruction

Step 5

B=2



Lock

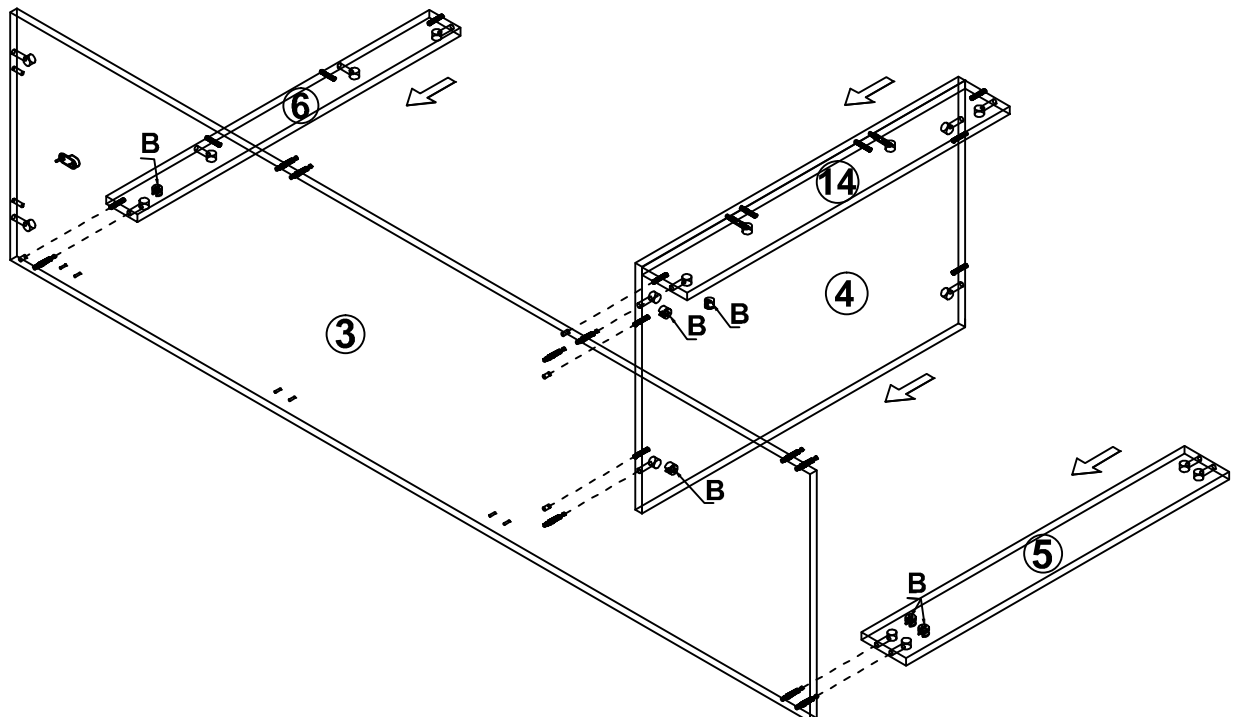


Step 6

B=6



Lock



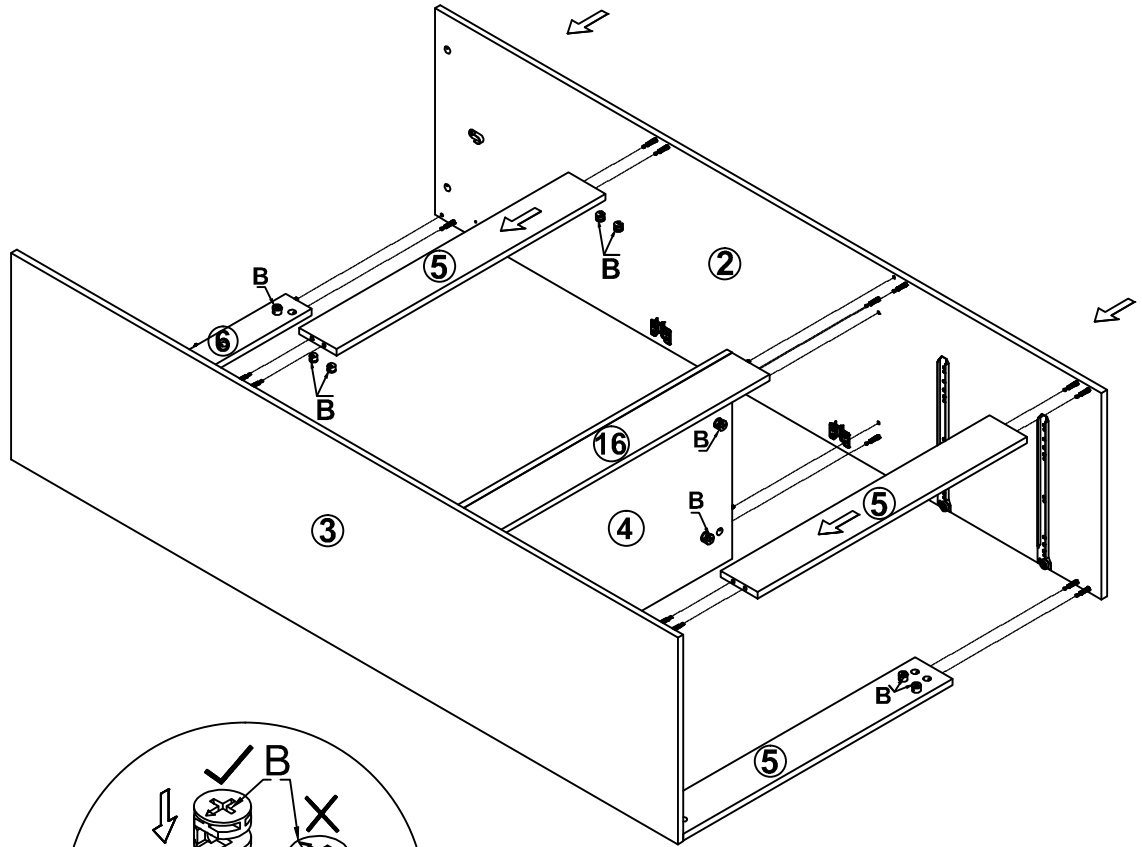
Assembly Instruction

Step 7

B=14



Lock

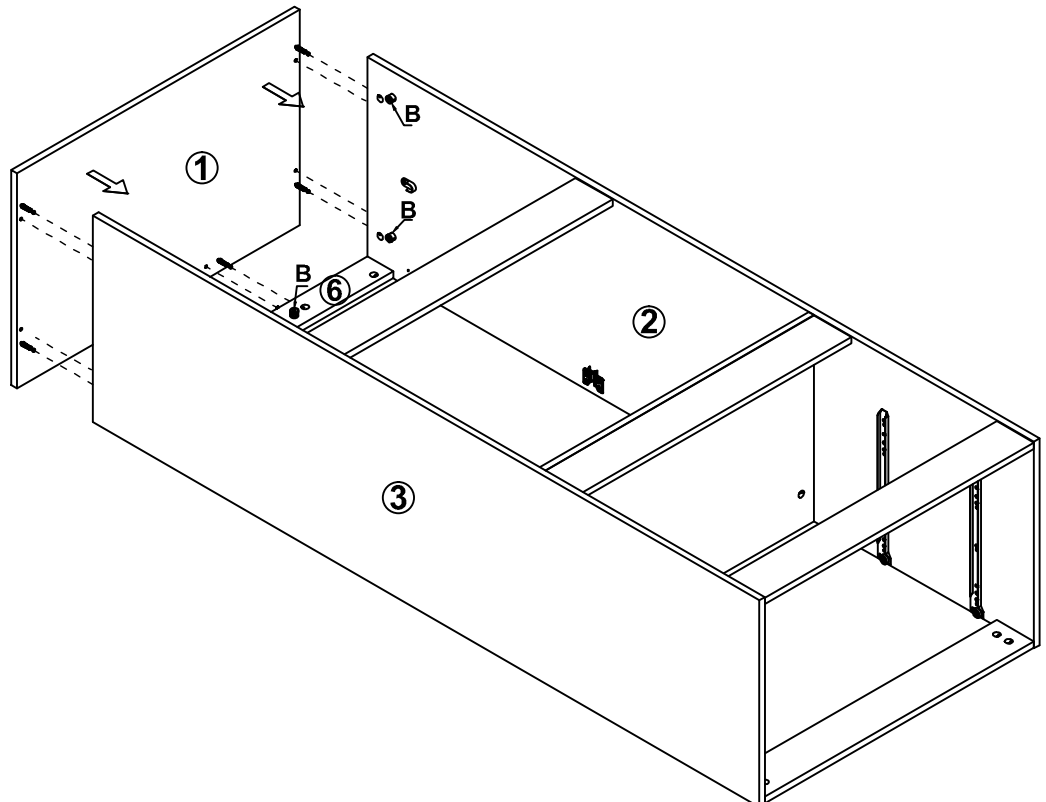


Step 8

B=6

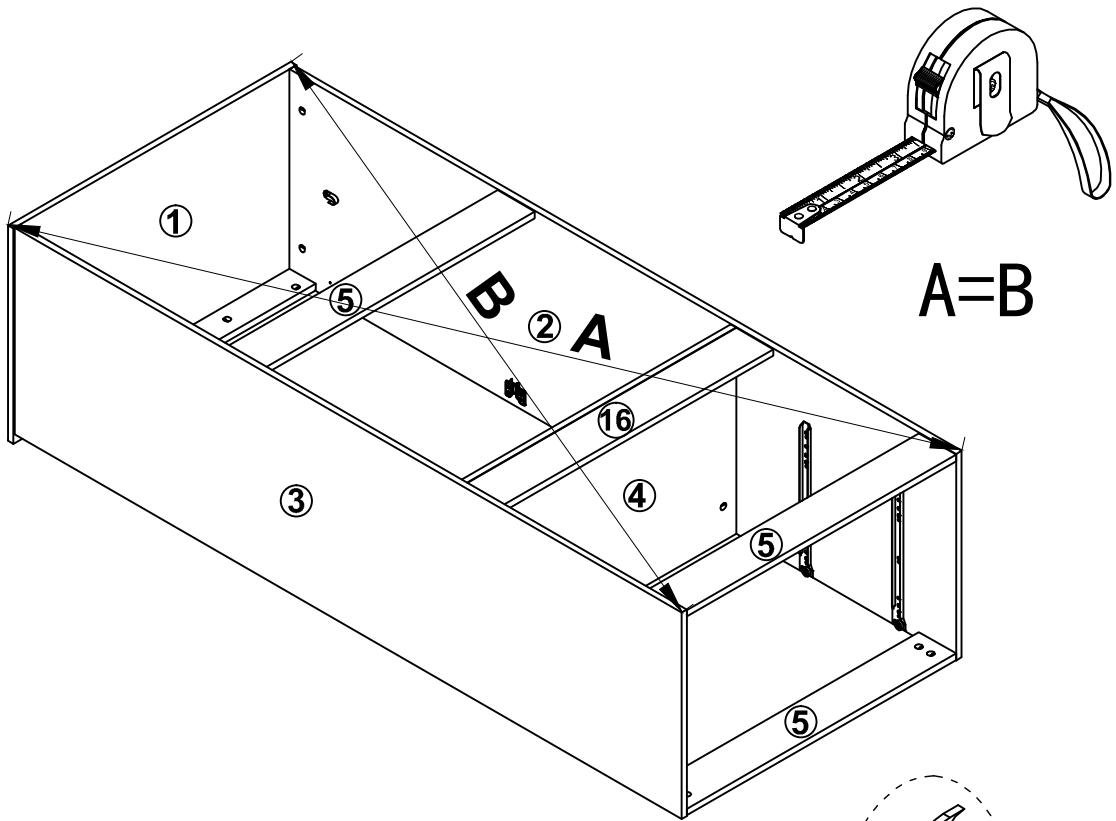


Lock



Assembly Instruction

Step 9



Step 10

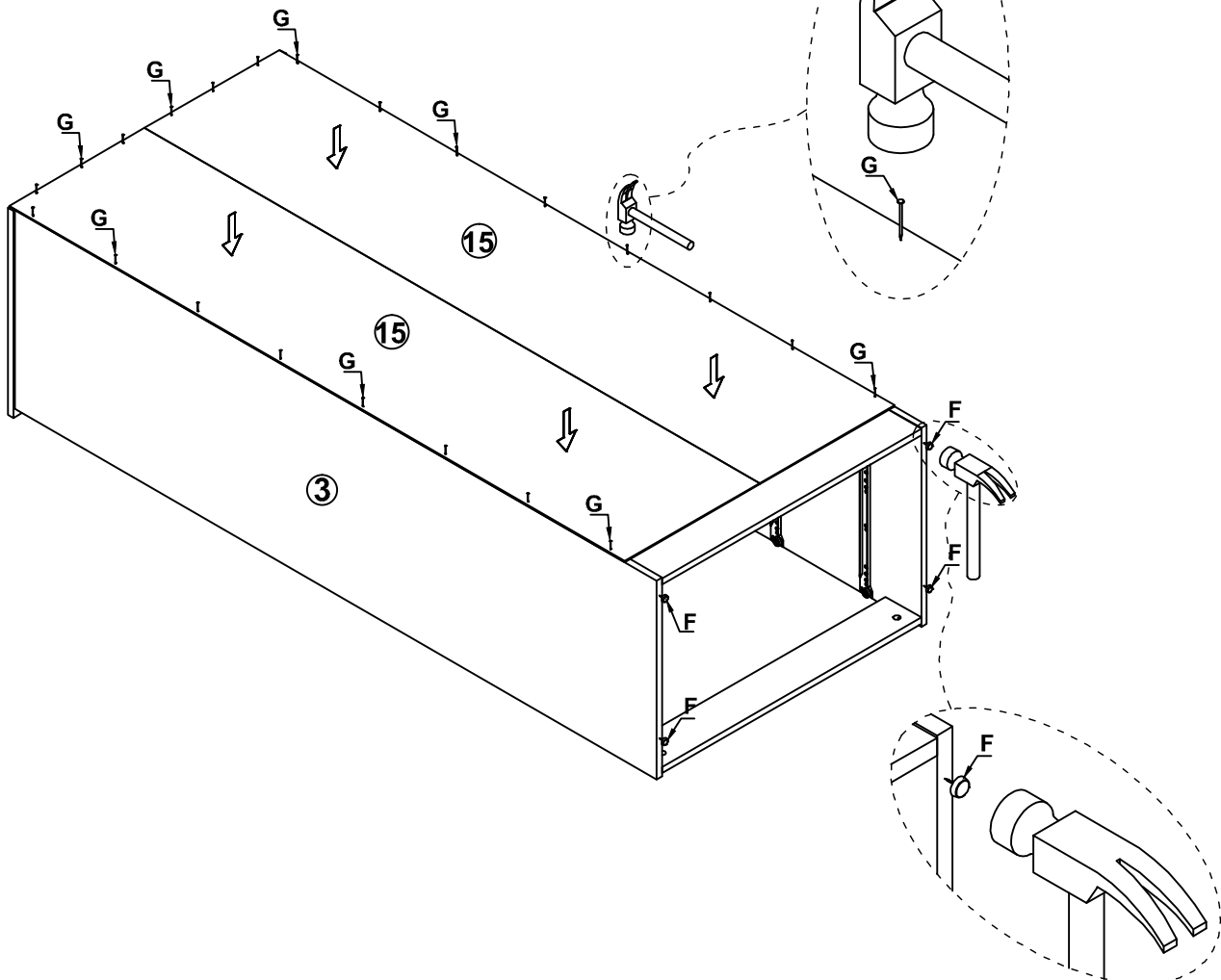
G=22

F=4



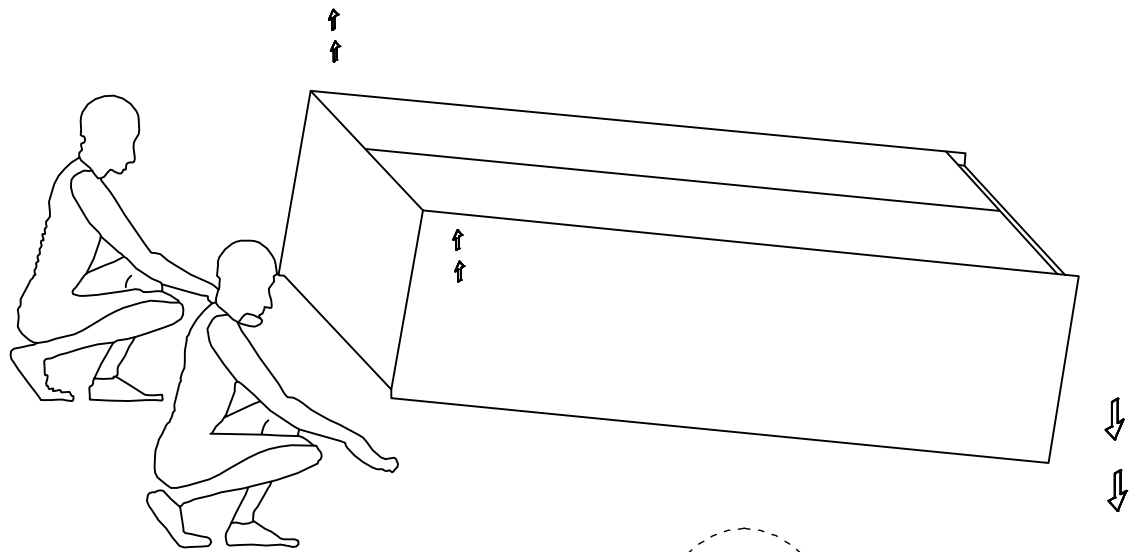
Pin

Plastic Foot



Assembly Instruction

Step 11



Step 12

H=2

L=1



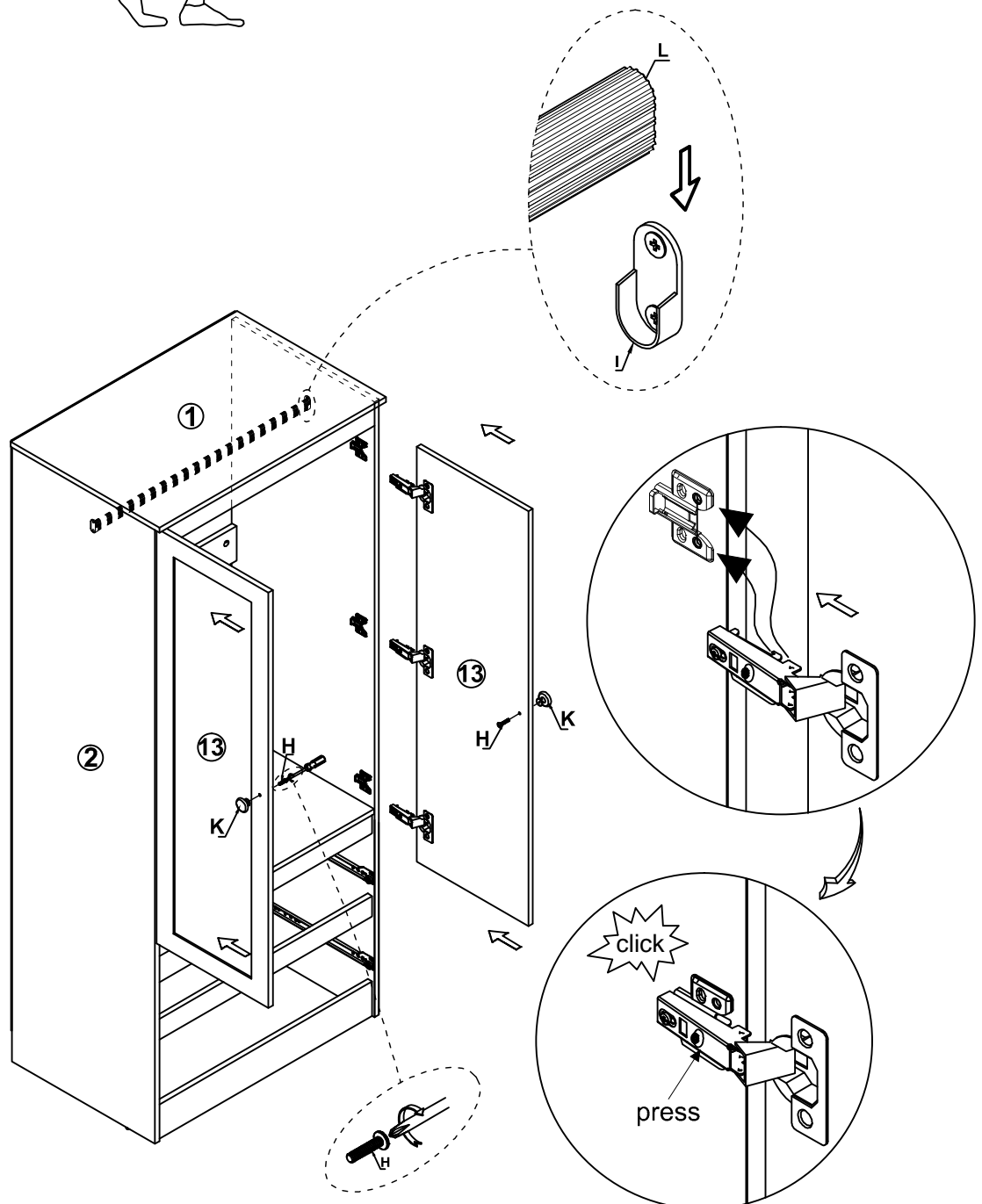
Screw

Clothes Bar

K=2



Handle



Assembly Instruction

Step 13

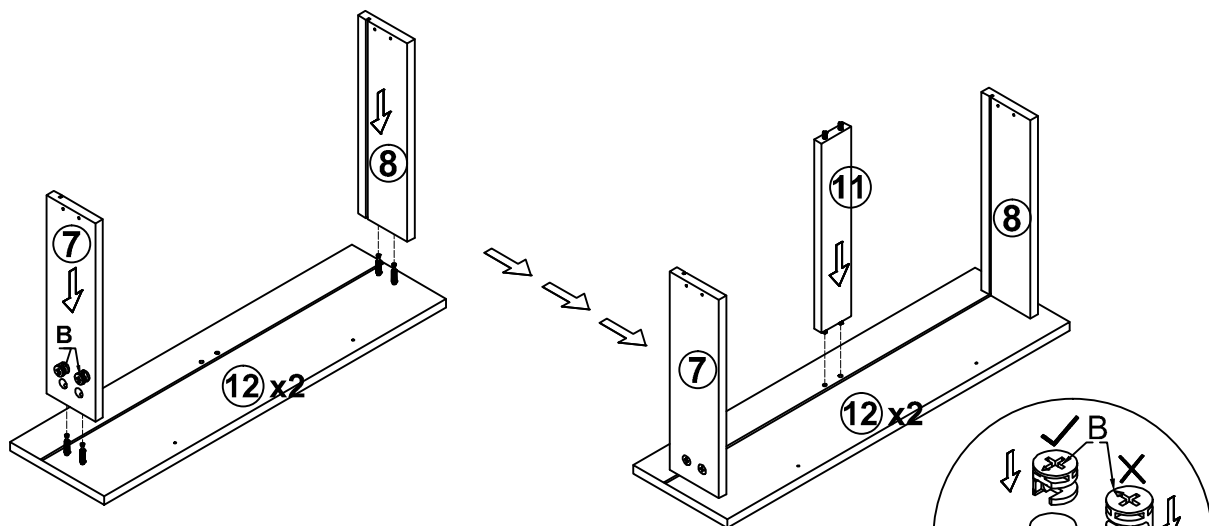
B=8

E=8



Lock

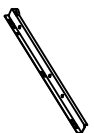
Screw
M4*38



Step 14

DR=2

DL=2



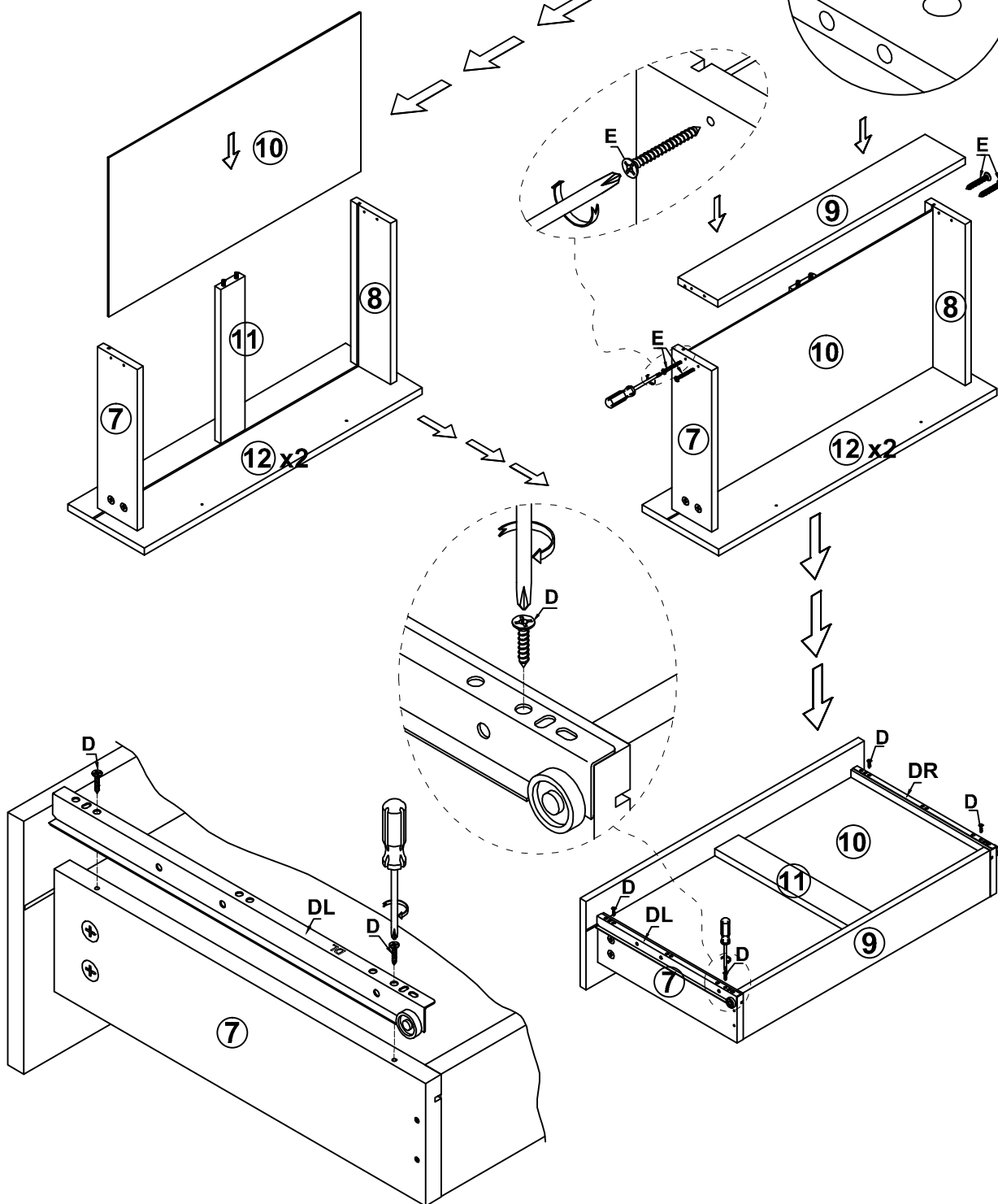
Drawer
Runner

Drawer
Runner

D=8



Screw
M3.5*14mm



Assembly Instruction

Step 15

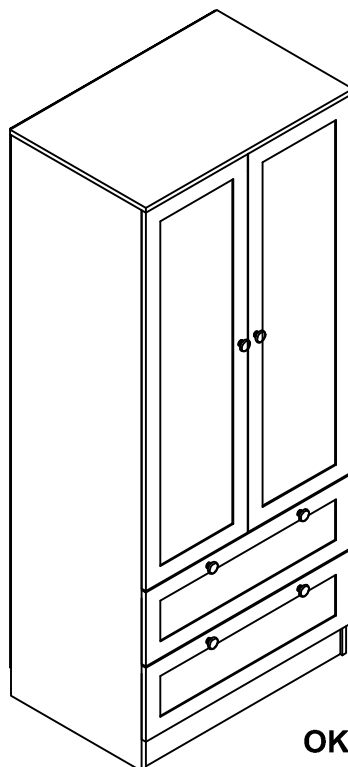
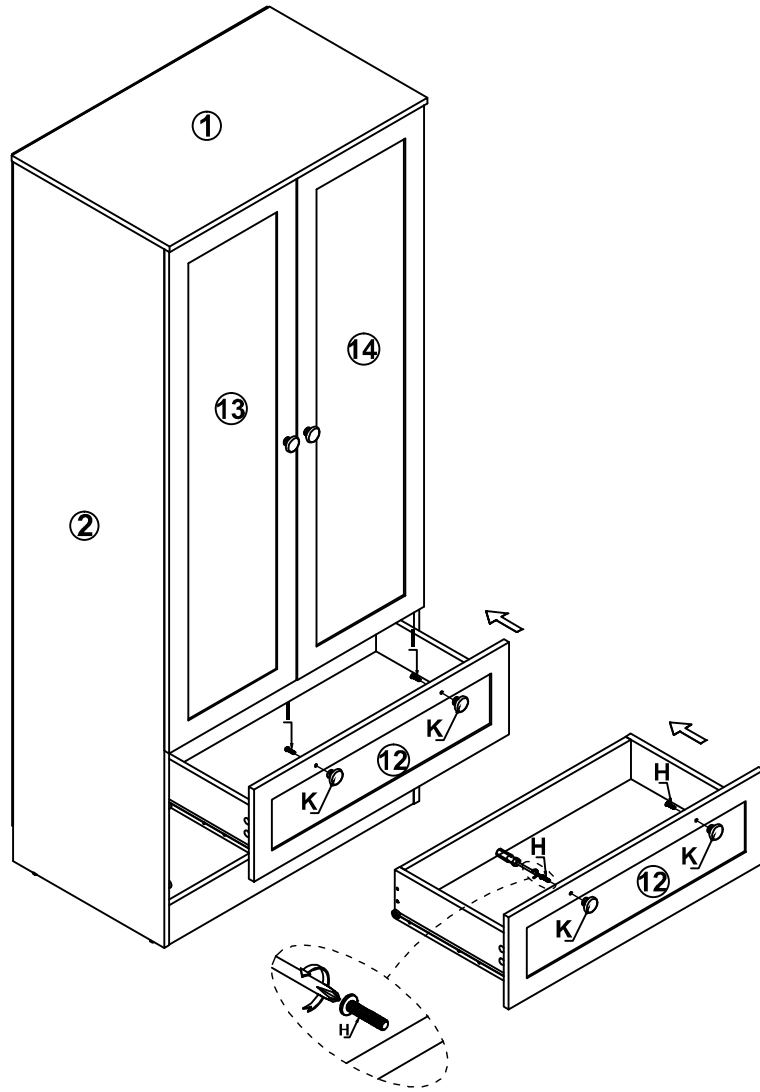
H=4

K=4



Screw

Handle



OK

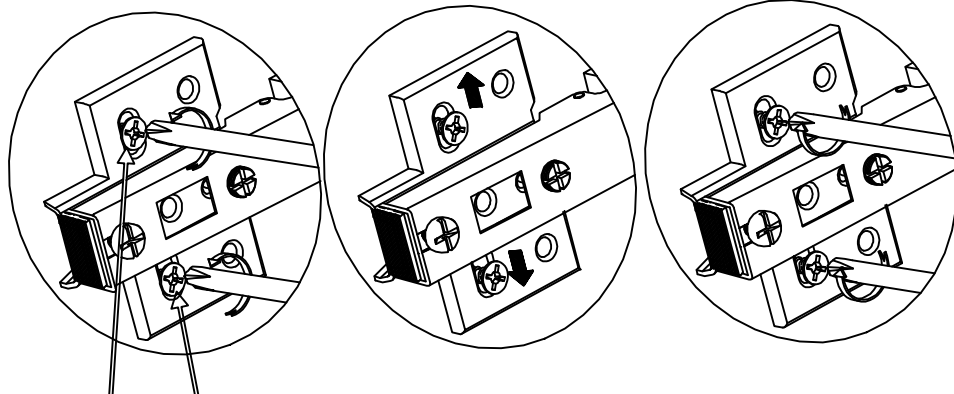
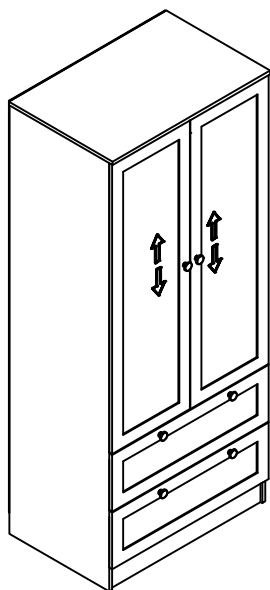
STEP 16



Customer Attention:

To align doors and control gap in between doors.
Product doors may need adjusting during
and after assembly.

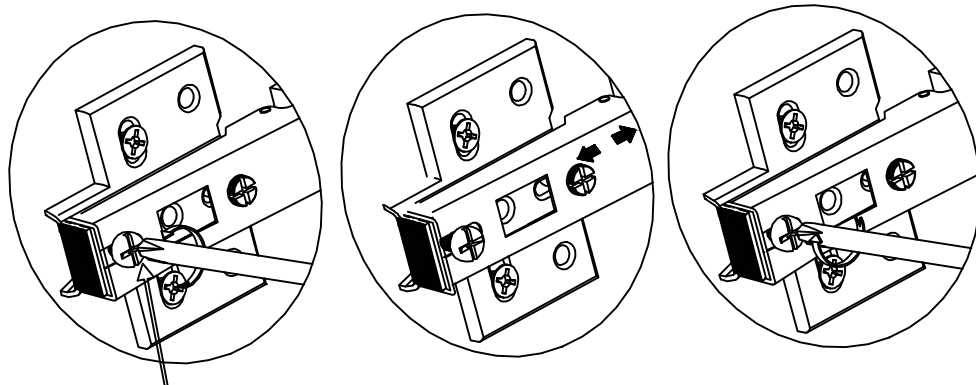
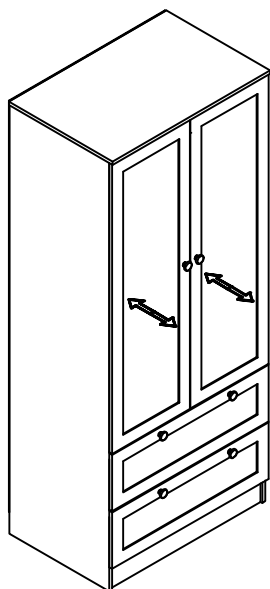
This can be done by adjusting appropriate screws.
See below illustration.



Vertical door adjustment:

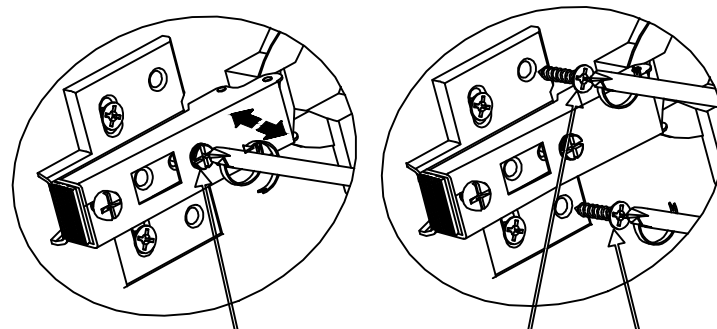
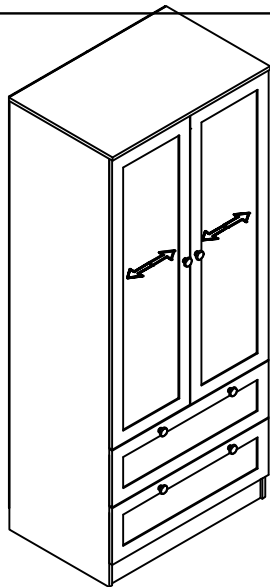
Loosen both screws on all hinges and lift the
door to the desired height.


This allows an even space at the top and
bottom between the door and frame



Lateral Door Adjustment:

If door is hinge bound, (rubbing on frame as you
close or open door) loosening screw shown and
move the door in appropriate direction. (In or out)



D  12PCS

Horizontal Door Adjustment:

Rotate Screw clock wise or anti clockwise. This
will produce an even gap between doors and frame.

after adjusting, you find the doors are in alignment,
you can fasten that hinge with 2 screws

P=1

