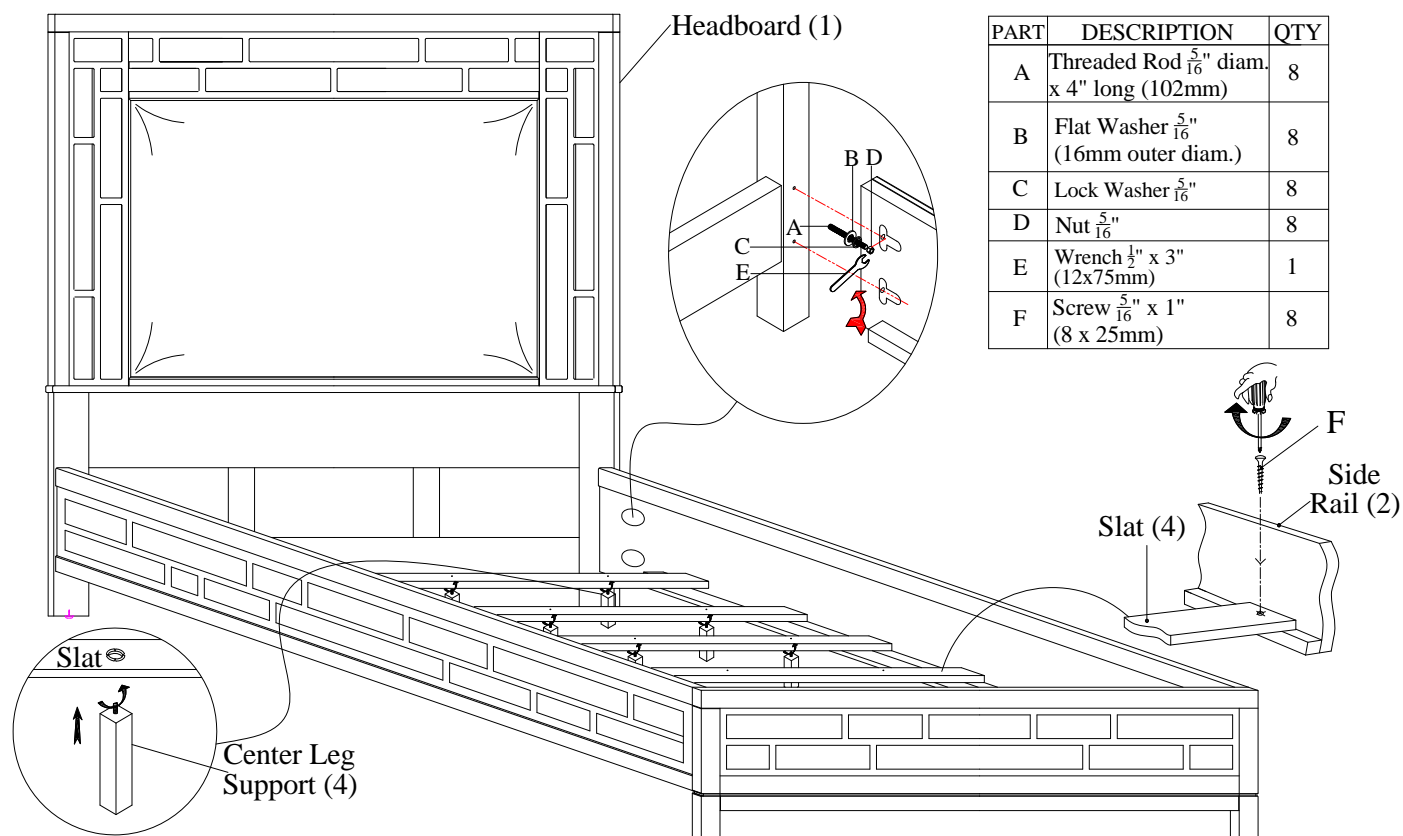


# LEXINGTON

HOME BRANDS

## ASSEMBLY INSTRUCTIONS

### 536-133C/134C/135C Paradise Point Panel Bed



#### HOW TO ATTACH SIDE RAILS TO HEADBOARD/FOOTBOARD:

\* All needed hardware is located in a hardware bag which should be taped to inside of side rail.

1. Insert Threaded Rod (A) into metal insert on post thru open hole. Twist clockwise until tight.
2. With both threaded rods in place on one post, and Side Rail positioned with T-slots to inside, slide side rail into position over threaded rods.
3. Add Flat Washer (B) and Lock Washer (C) to Threaded Rod.
4. Add Nut (D) with barrel end towards washer.
5. Tighten Nut with Wrench (E) until tight. Repeat process for other three corners.

#### HOW TO ATTACH SLATS TO SIDE RAILS:

1. Insert bolted ends of Center Leg Supports into bottom side of Slats. Rotate clockwise until tight.
2. Adjust bottom leveler so that center leg support and leveler sit  $\frac{1}{2}$ " above floor.
3. Place one slat 3" to 5" inward from each end of wood cleats. Place other two slats between two end slats so that there is an equal amount of space between all four slats.
4. Secure slats with wood screws (F) provided. Note that top side of slat has larger hole.