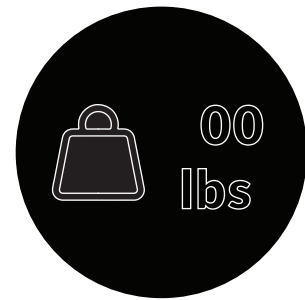
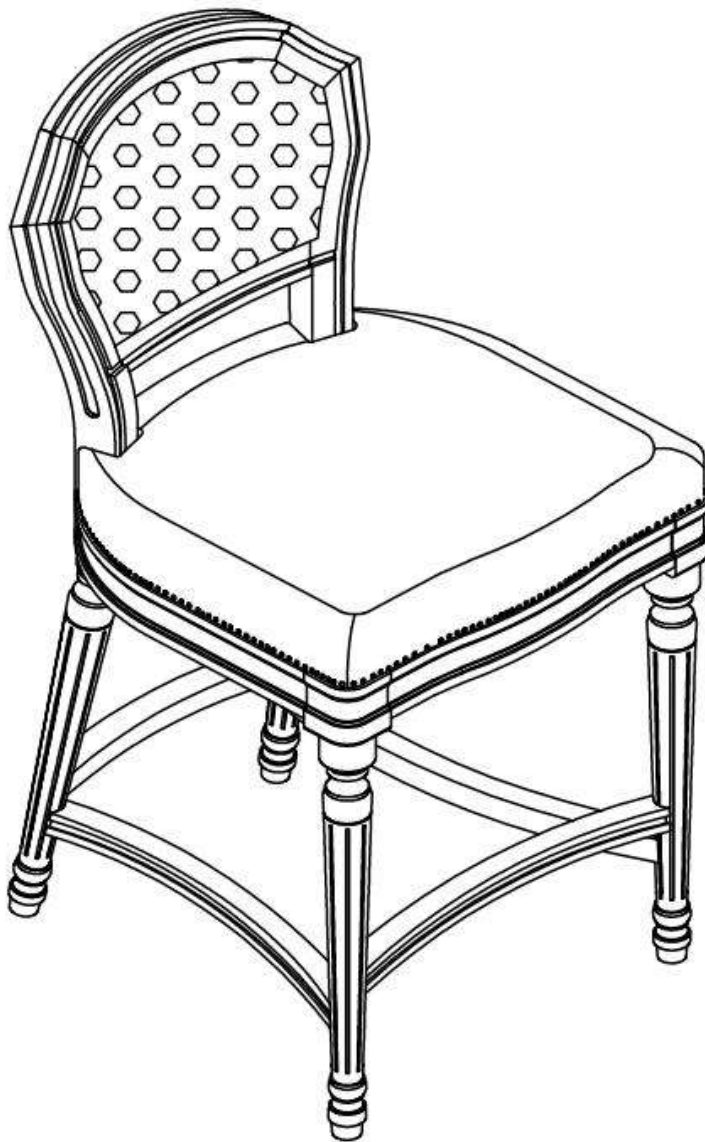


# ASSEMBLY INSTRUCTIONS

## WILBRANDT STOOL



Weight Capacity



Locate the **HARDWARE PACK** which is attached to the shipping carton with red tape.

01/2024



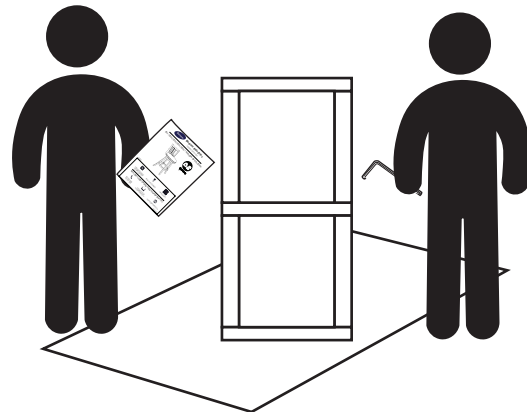
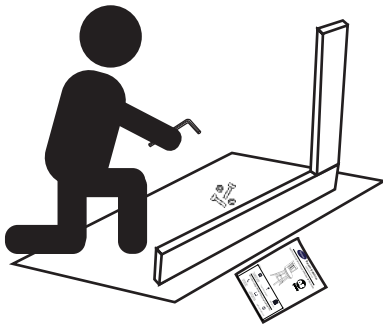
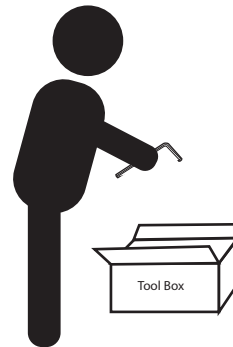
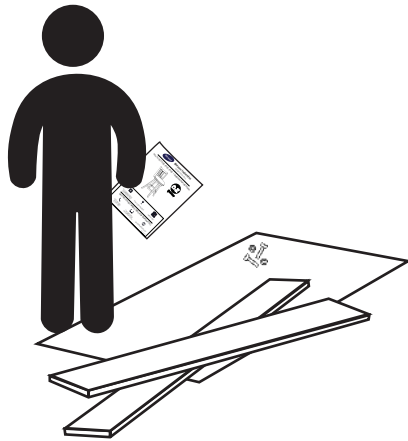
Philips screwdriver  
not included.

# Assembly And Care

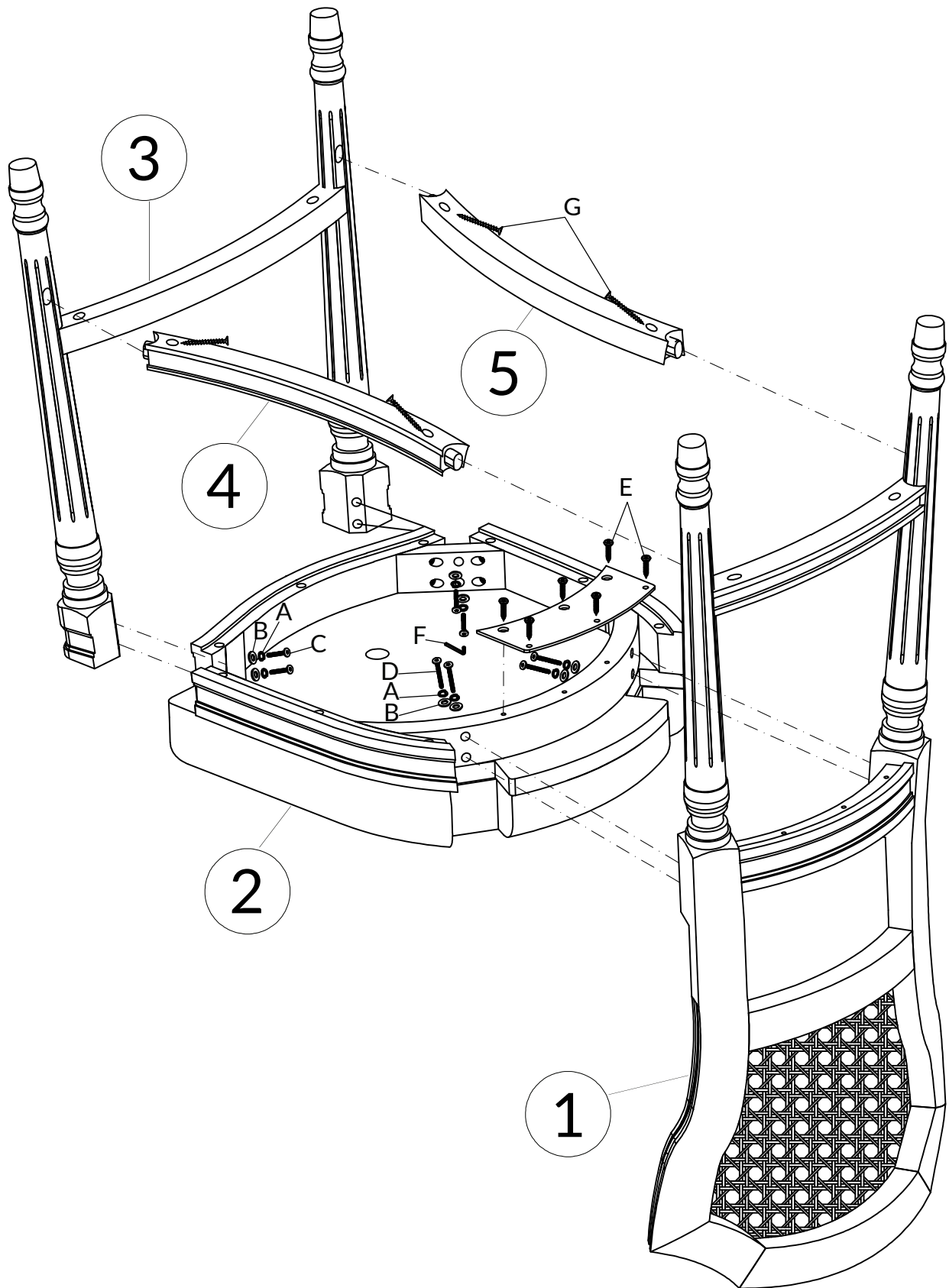
- All tools required for assembly are included unless noted.
- Prior to assembly, check for missing or damaged parts.
- Do not dispose of packing materials until assembly is completed.
- Assemble item on a soft, clean surface to prevent damage to the item.



Locate the  
**HARDWARE PACK**  
which is attached to the  
shipping carton with red  
tape.



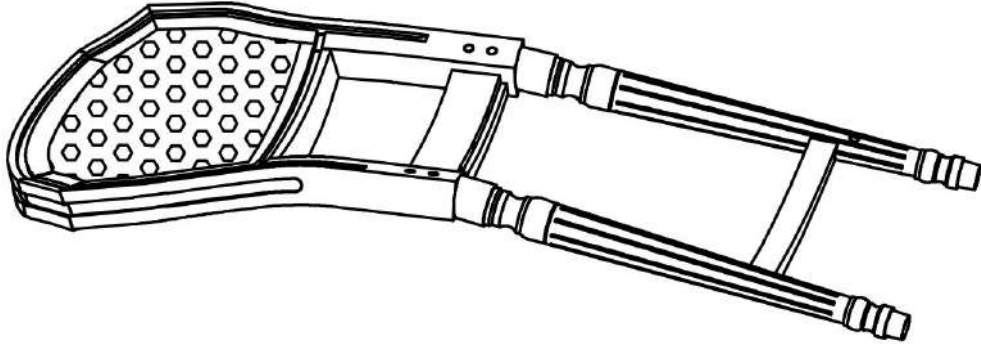
# Assembly Overview



# PARTS

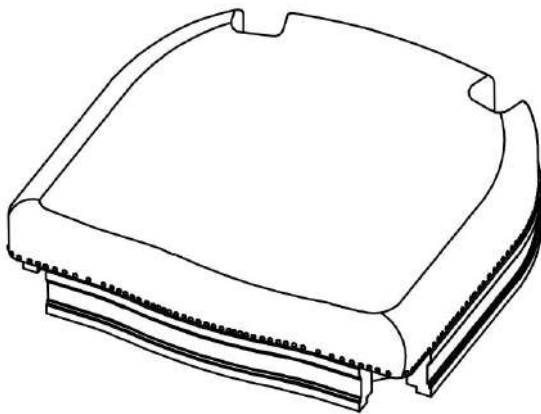
①(x1)

**Backrest :**



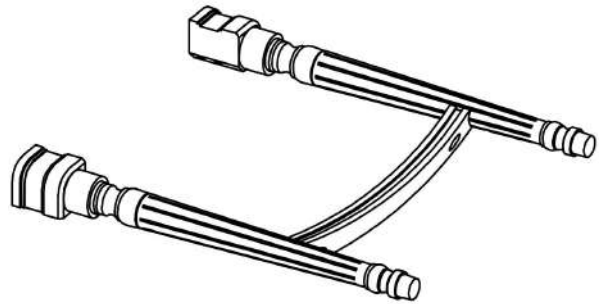
②(x1)

**Seat Cushion :**



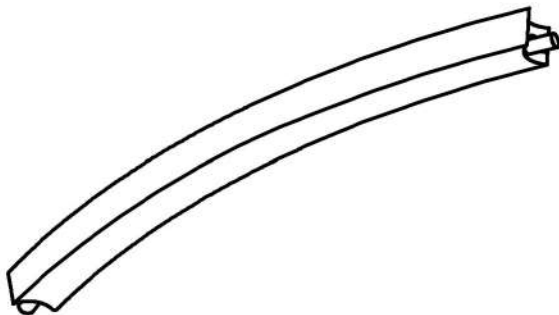
③(x1)

**Front Legs :**



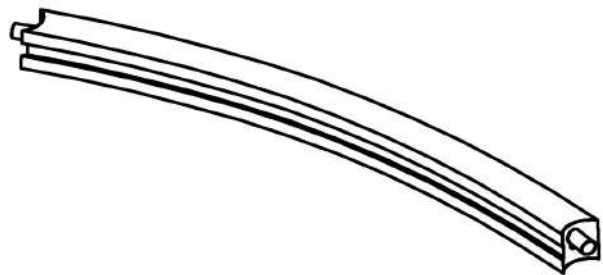
④(x1)

**Left Stretcher :**


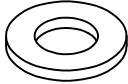
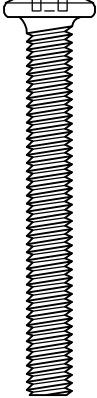
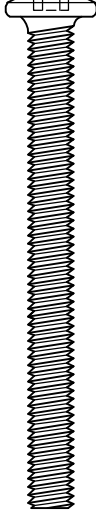
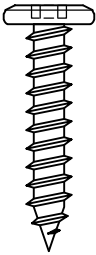
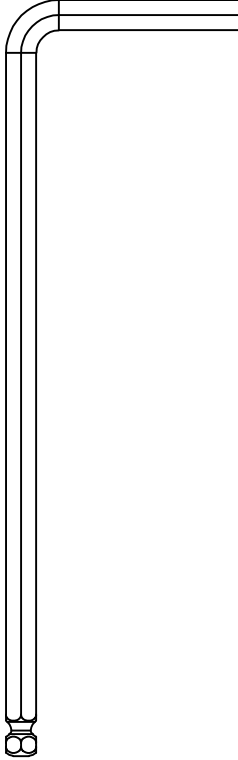
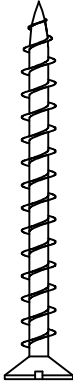
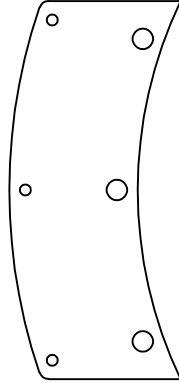


⑤(x1)

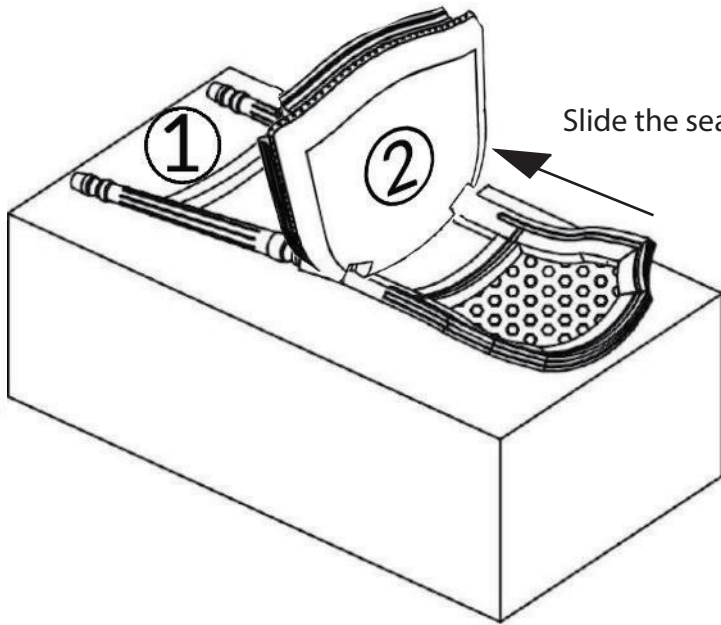
**Right Stretcher :**



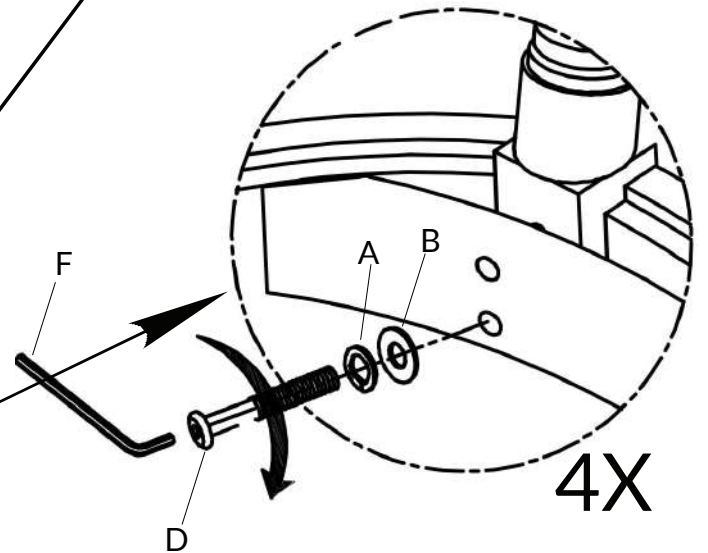
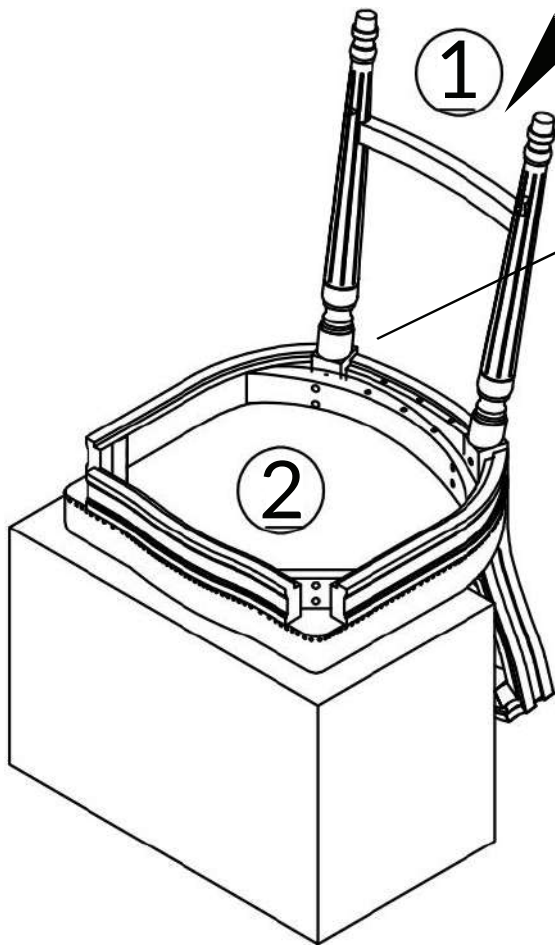
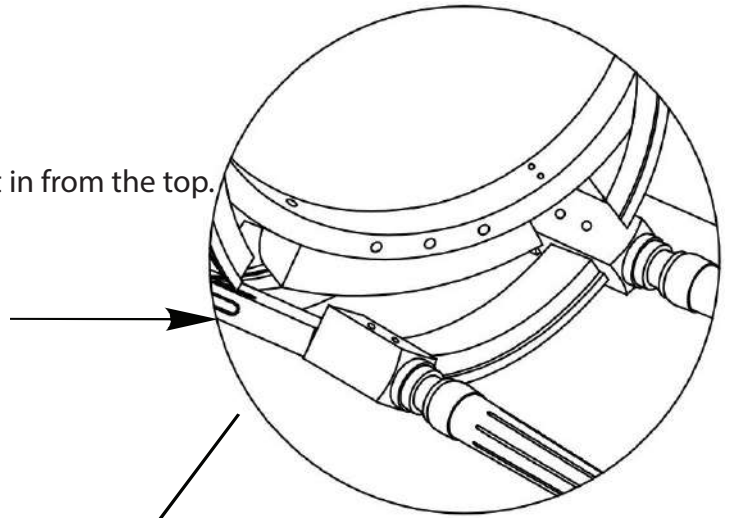
# HARDWARE

Ⓐ(x8)	Ⓑ(x8)	Ⓒ(x4)	Ⓓ(x4)
			
<p>Spring Washer M6*10</p>	<p>Flat Washer M6*16</p>	<p>Bolt M6*50</p>	<p>Bolt M6*65</p>
Ⓔ(x6)	Ⓕ(x1)	Ⓖ(x4)	Ⓗ(x1)
			
<p>Hexagon Head Wood Screw M6*30</p>	<p>Allen Wrench M4*100</p>	<p>Wood Screw M4*50</p>	<p>Metal Plate 3*90*200mm</p>

# 01



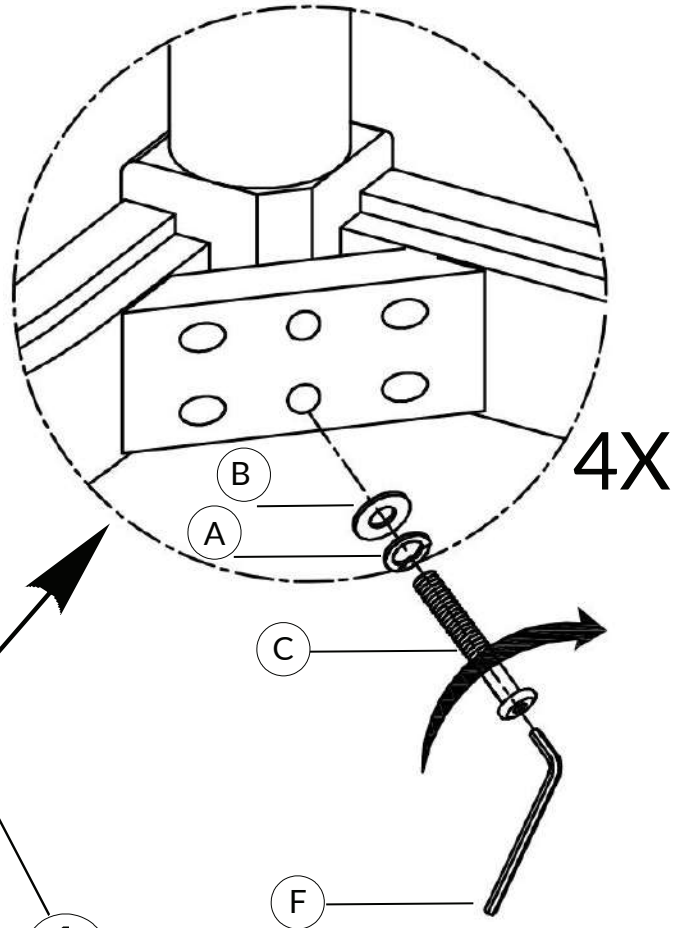
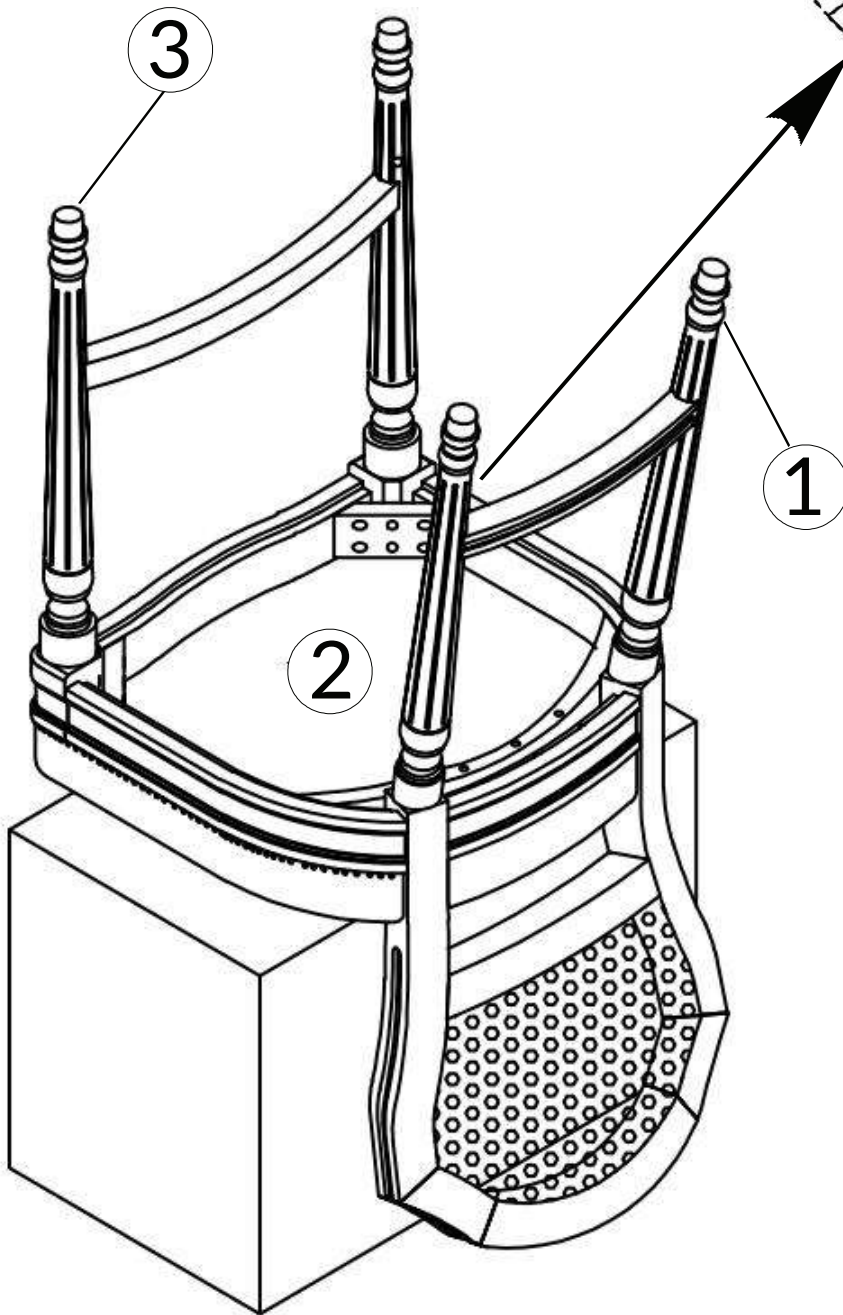
Slide the seat in from the top.



Hardware	Count
A	4
B	4
D	4
F	1

DO NOT TIGHTEN BOLT COMPLETELY.

# 02

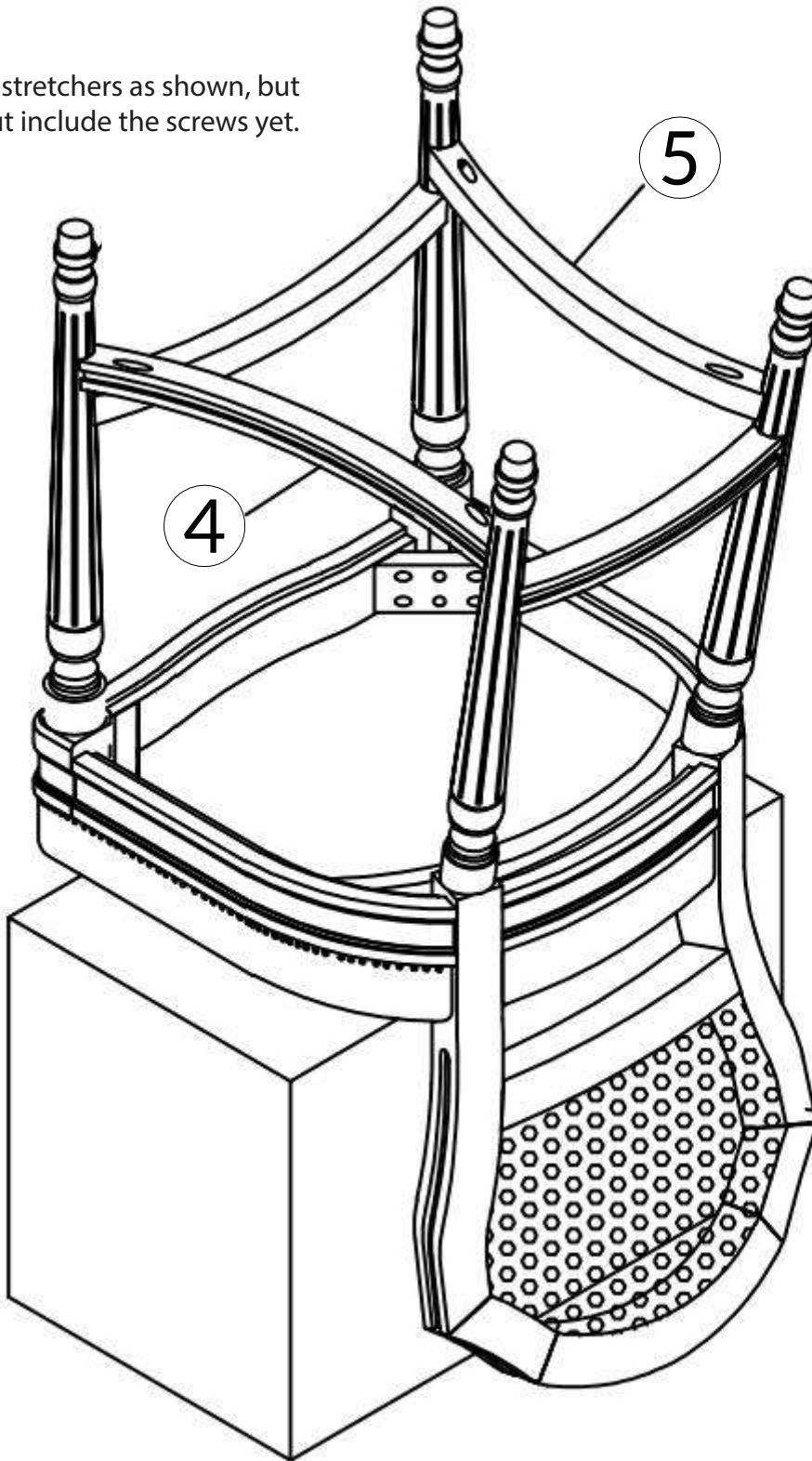


Hardware	Count
A	4
B	4
C	4
F	1

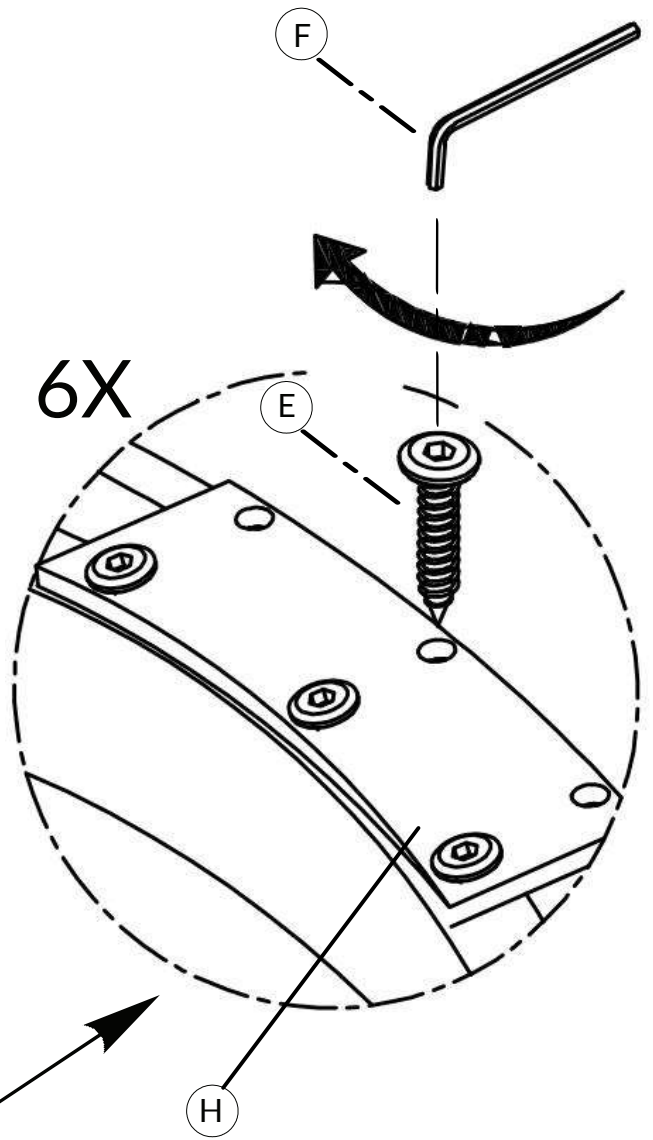
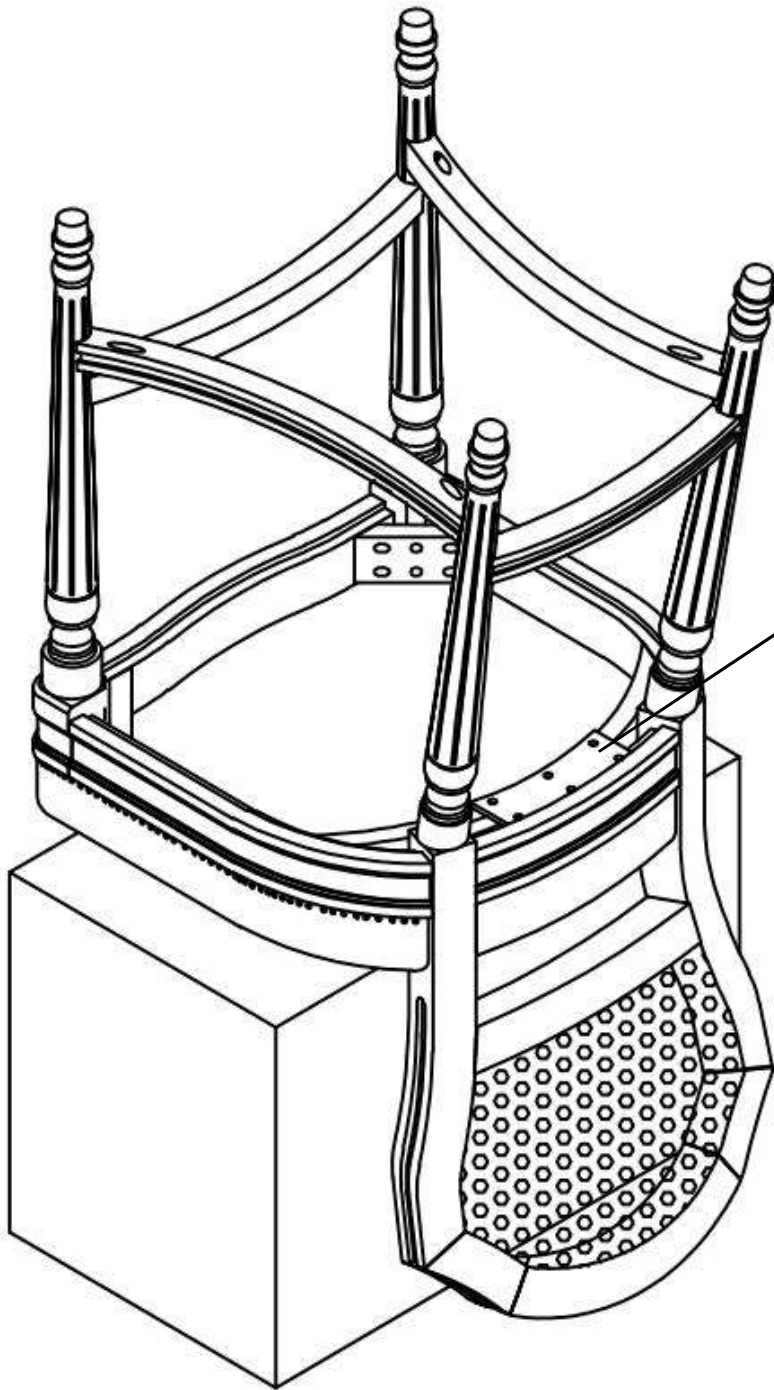
DO NOT TIGHTEN BOLT COMPLETELY.

# 03

Place the stretchers as shown, but do not put include the screws yet.

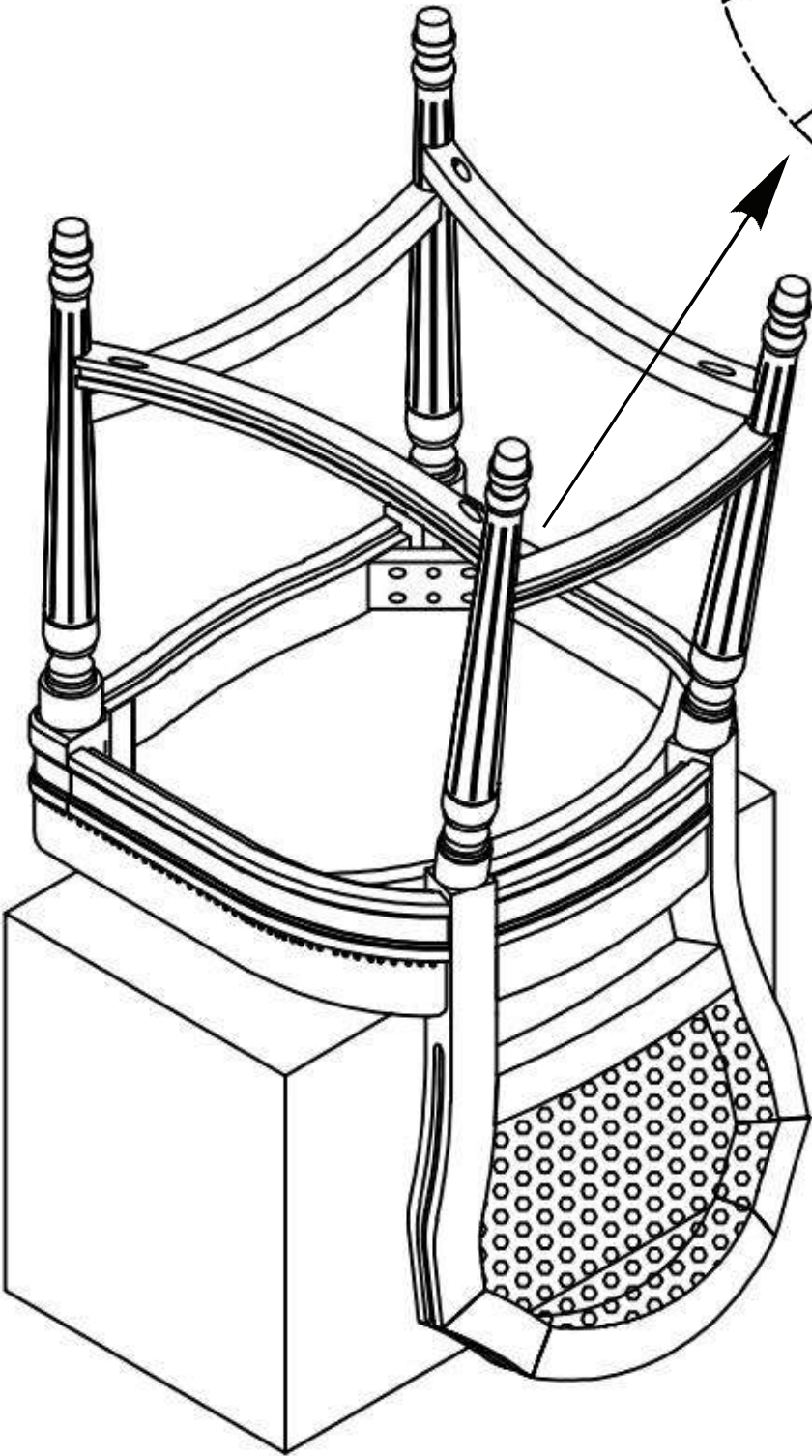
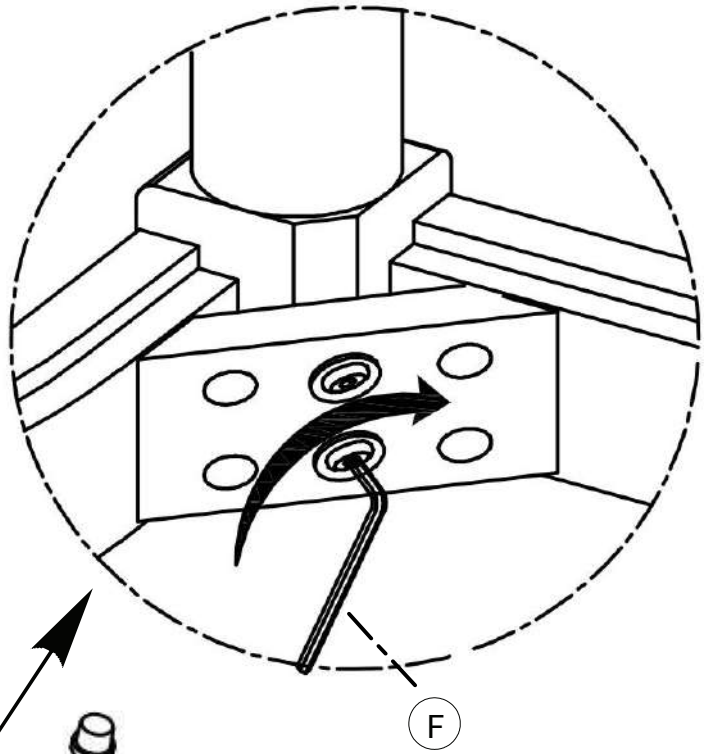


# 04



Hardware	Count
E	6
H	1
F	1

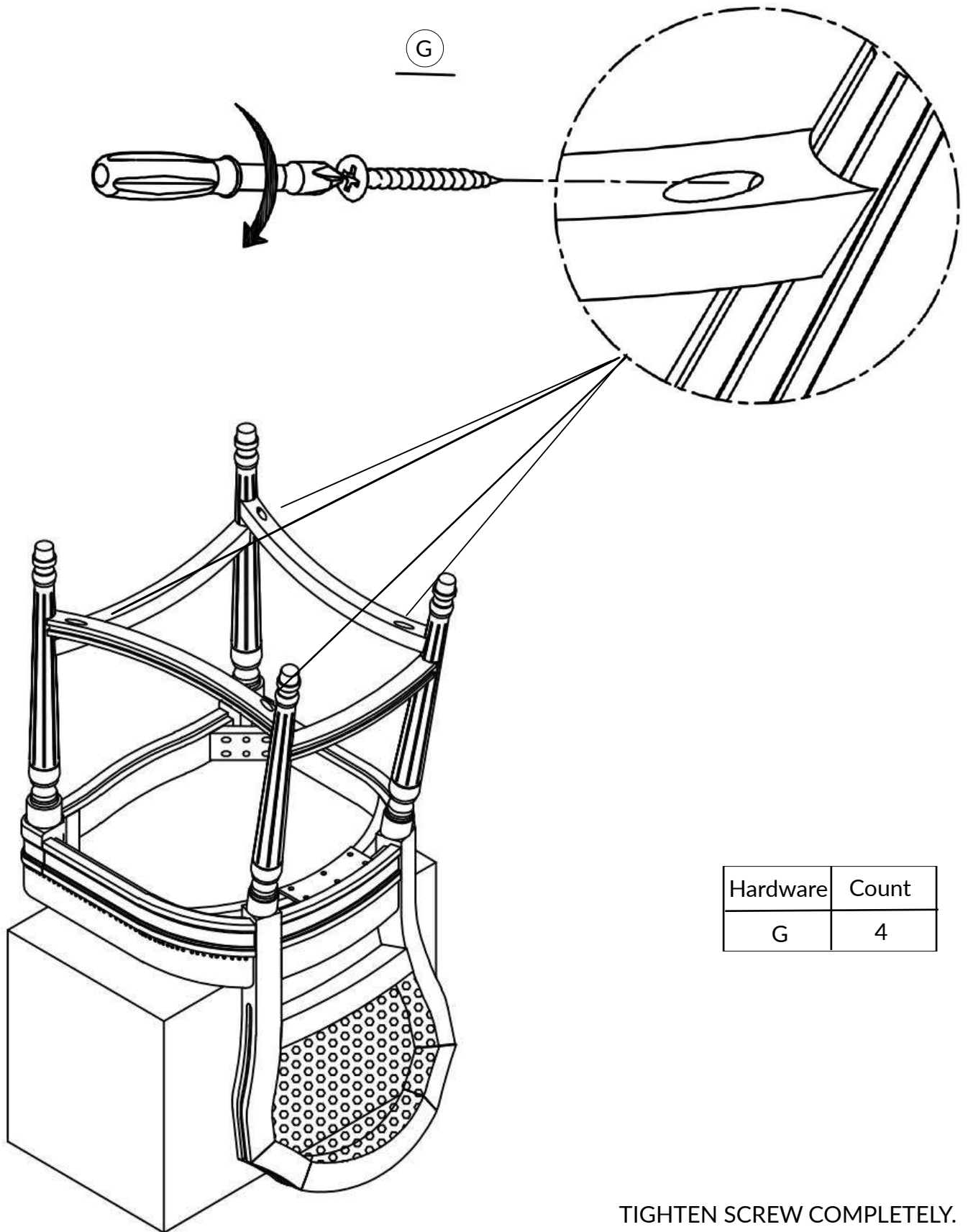
# 05



Hardware	Count
F	1

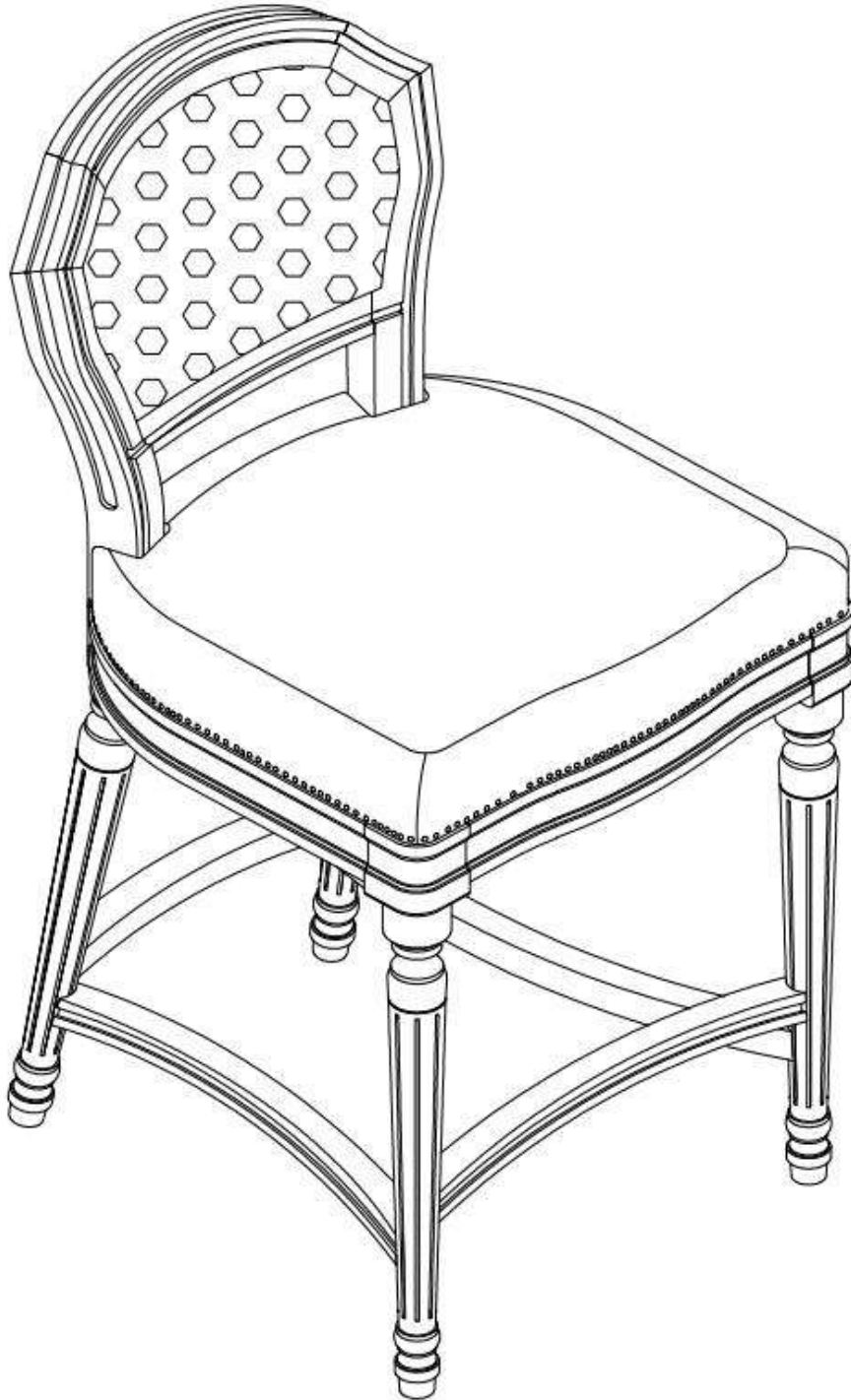
TIGHTEN BOLT COMPLETELY.

# 06



Hardware	Count
G	4

TIGHTEN SCREW COMPLETELY.



**Weight Capacity**

**BE SURE TO CHECK ALL BOLTS ARE SECURELY TIGHTENED PRIOR TO USE.**