
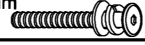


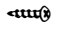
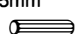


# ASSEMBLY INSTRUCTIONS

**MODEL :** DINING CHAIR

**IMPORTANT NOTE :**

- \* PLACE ALL WOODEN PARTS ON A CLEAN AND SMOOTH SURFACE SUCH AS A RUG OR CARPET TO AVOID THE PARTS FROM BEING SCRATCHED.
- \* BEFORE YOU BEGIN, KINDLY FOLLOW THE ASSEMBLY INSTRUCTIONS STEP BY STEP.
- \* DO NOT TIGHTEN ALL SCREWS UNTIL THE CHAIR IS FULLY SET-UP.

HARDWARE LIST		PART LIST	
A	JCBC M6 x 25mm + S/W M6 + F/W M6 x 13mm  4PCS	1	RIGHT SIDE FRAME 1PC
B	JCBC M6 x 45mm + S/W M6 + F/W M6 x 13mm  4PCS	2	LEFT SIDE FRAME 1PC
C	ALLEN KEY M4  1PC	3	FRONT STRETCHER 1PC
D	L BRACKET  4PCS	4	BACK STRETCHER 1PC
E	PH SCREW M4 x 12mm  8PCS	5	TOP REST 1PC
F	WOOD DOWEL M8 x 25mm  2PCS	6	CUSHION SEAT 1PC

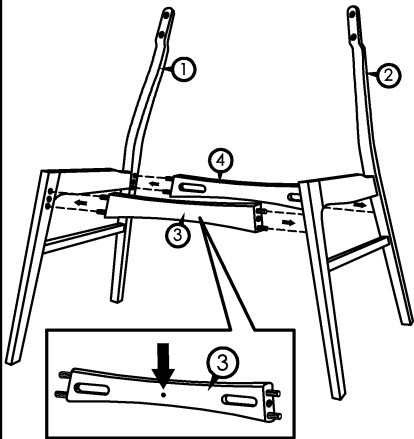
**CAUTIONS :**

(1) DO NOT FULLY-TIGHTEN THE NUT OR NUT BOLTS INITIALLY UNTIL ALL NUTS OR BOLT IS READY ASSEMBLED.

(TO AVOID CAUSING DAMAGES TO THE THREAD, DO NOT OVER-TIGHTEN THE NUTS OR BOLTS.)

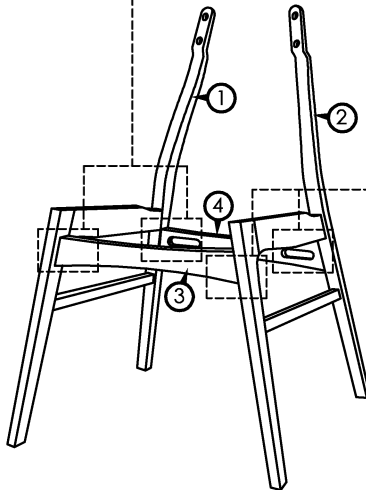
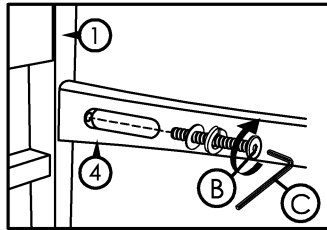
(2) KEEP ALL HARDWARE PART OUT OF REACH OF CHILDREN.

**STEP 1**

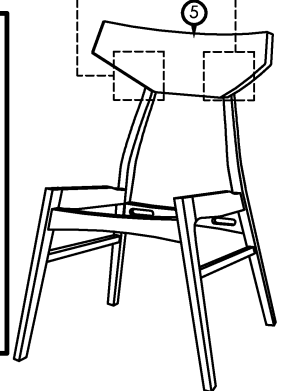
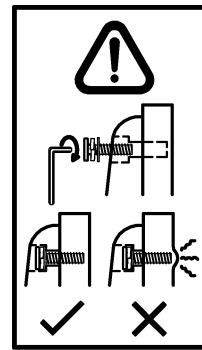
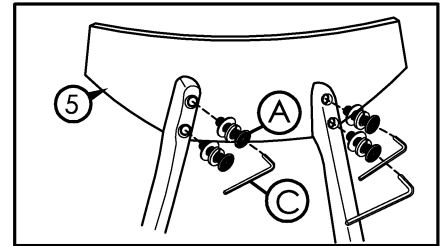


Front Stretcher has a small hole for identification.

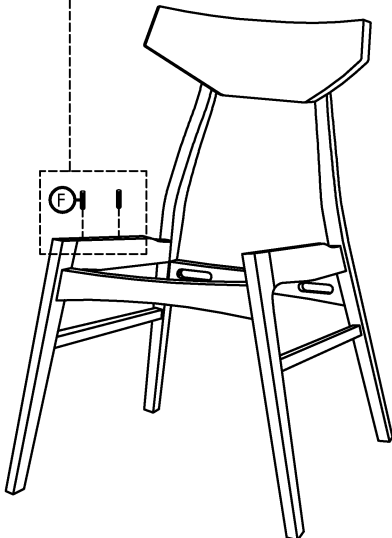
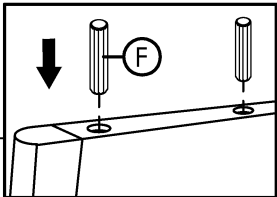
**STEP 2**



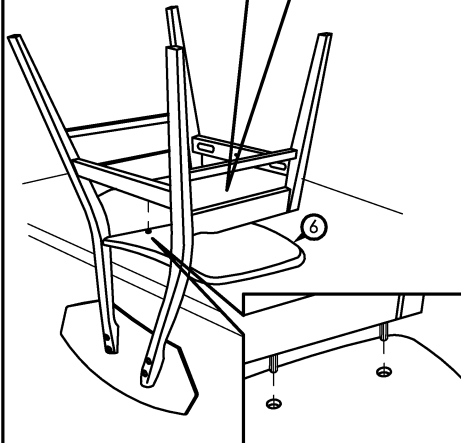
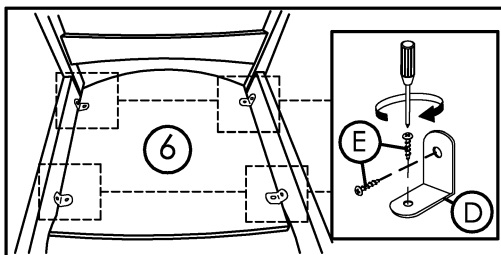
**STEP 3**



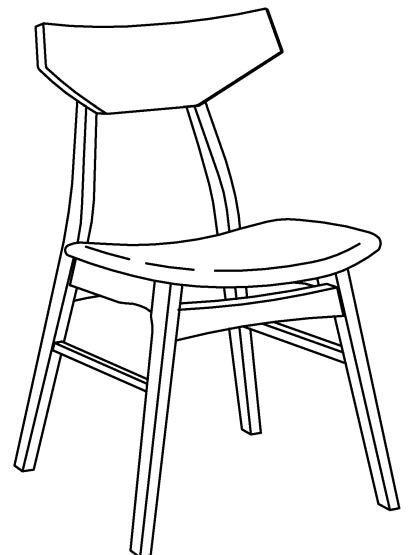
**STEP 4**



**STEP 5**



**STEP 6**



**COMPLETED CHAIR ASSEMBLY.**