

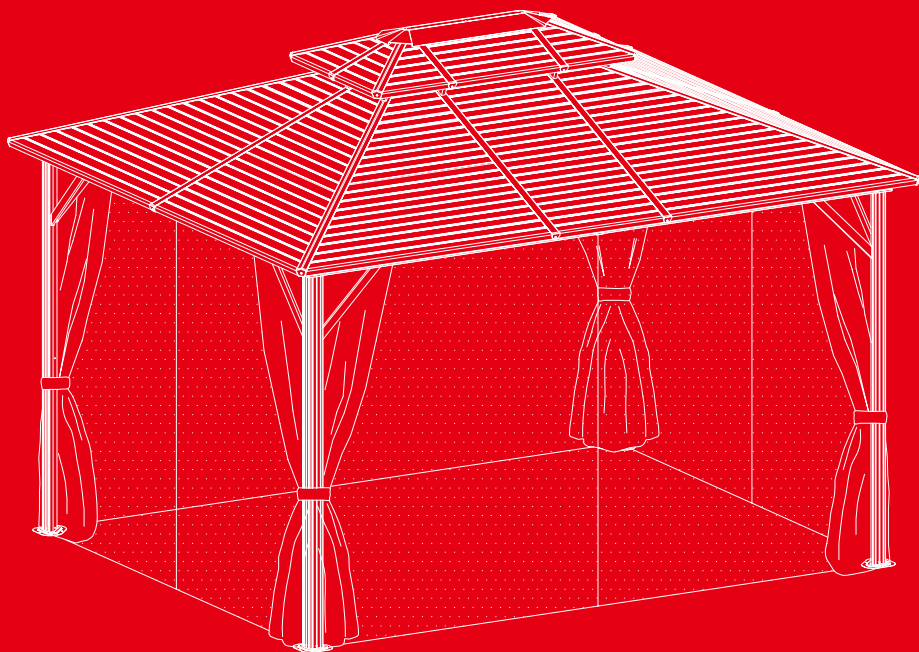
AOXUN



Installation video

INSTALLATION INSTRUCTION

Metal Gazebo With Double Roof
G30003





AOXUN PRODUCTS

Why choose AOXUN? We offer a diverse range of products to meet the needs of customers. We continue to supply high quality and reliable products while maintaining a balance of price and product, and strive to provide customers with quality at a good price.

— Always. —

! WARNING

- In case of windy weather, please do not stand in the gazebo.
- Please do not stand under the gazebo in case of heavy snowfall.
- For safety, please use expansion screws to reinforce the posts to the ground.
- In windy weather, please tighten the fence and netting to avoid tearing in high winds.
- In extreme weather conditions, you can use a rope to pull the four corners of the gazebo to keep it stable.
- Please clear the snow off the roof in time for the heavy snowfall.
Make sure all screws are tightened before use.
- Repeat to confirm all screws, buckles and straps every 90 days.
- Please keep all screws loose during the assembly process and tighten them after completing the installation.
- Do not use or store next to a pole with an open flame or flammable chemicals.
- Please note that some parts have sharp edges and should be handled with gloves.
- If any parts are missing, broken, damaged or worn, discontinue use of the product until repairs are made or factory replacement parts are installed.
- Installation of the product in a manner that does not conform to the manufacturer's instructions may result in the loss of the warranty policy for this product.

! CALIFORNIA PROPOSITION 65

WARNING: This product can expose you to Carbon monoxide, which is known to the State of California to cause birth defects or other reproductive harm. For more information go to www.P65Warnings.ca.gov

TOOLS REQUIRED



ALLEN WRENCH
(WITH THE PRODUCT)



LADDER



Electronic drill



Installation video

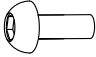
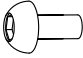
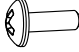

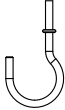


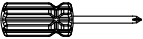
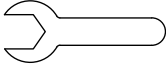


2-4 Persons
Assembly

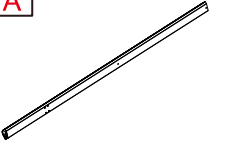
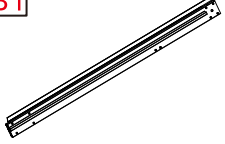
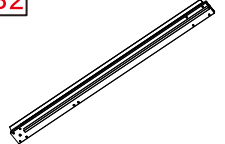
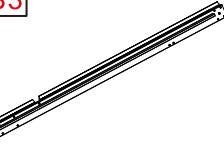
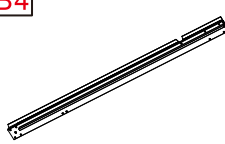
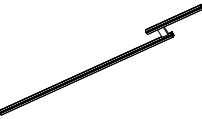
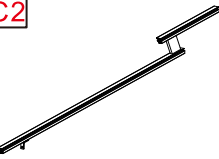
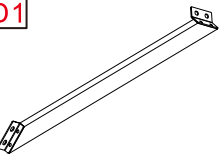
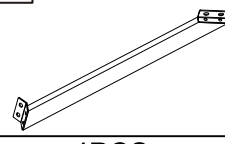
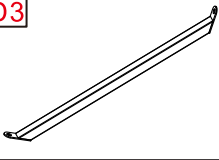
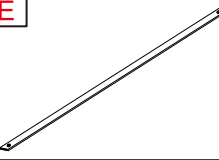
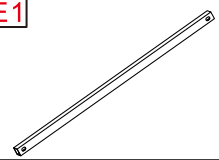
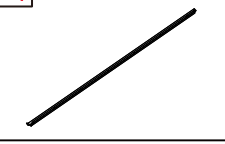
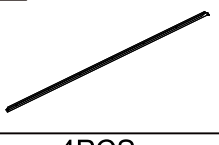
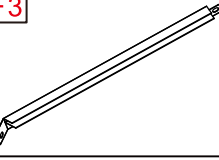
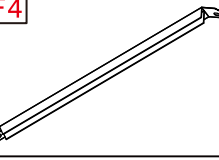
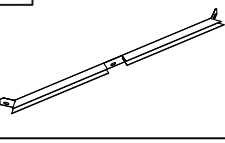
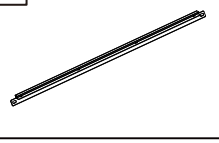
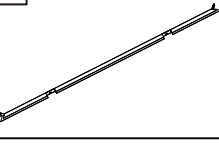







Minimum
120 Minutes
For Assembly




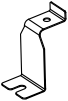
HARDWARE


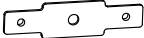

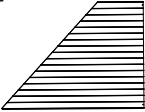
<p>1 M6X15mm</p> 	<p>2 M6X10mm</p> 	<p>3 M5X12mm</p> 	<p>4 ST4.8X12mm</p> 
<p>123+4PCS</p>	<p>92+2PCS</p>	<p>4PCS</p>	<p>24+2PCS</p>
<p>5</p> 	<p>6 M6X60mm</p> 	<p>7</p> 	<p>8</p> 
<p>2PCS</p>	<p>12PCS</p>	<p>2PCS</p>	<p>1PCS</p>
<p>9</p> 			
<p>1PCS</p>			

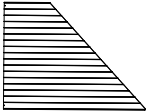

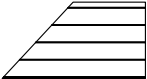
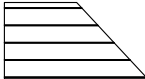
PARTS


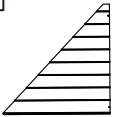
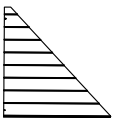
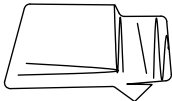
A  4PCS	B1  2PCS	B2  2PCS	B3  2PCS
B4  2PCS	C1  4PCS	C2  4PCS	D1  4PCS
D2  4PCS	D3  4PCS	E  8PCS	E1  2PCS
F1  4PCS	F2  4PCS	F3  4PCS	F4  4PCS
F5  2PCS	F6  2PCS	F7  2PCS	G1  4PCS
G2  4PCS	H  4PCS	I  4PCS	J1  1PC

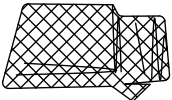
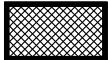

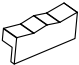
PARTS

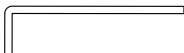
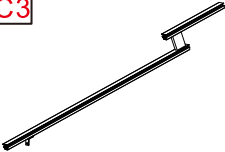
J2 	K1 	K2 	L 
1PCS	12PCS	12PCS	4PCS

M1 	M2 	Q 	Q1 
4PCS	6PCS	2PCS	4PCS

Q2 	R 	R1 	R2 
4PCS	2PCS	4PCS	4PCS

S 	S1 	S2 	T1 
2PCS	4PCS	4PCS	4PCS

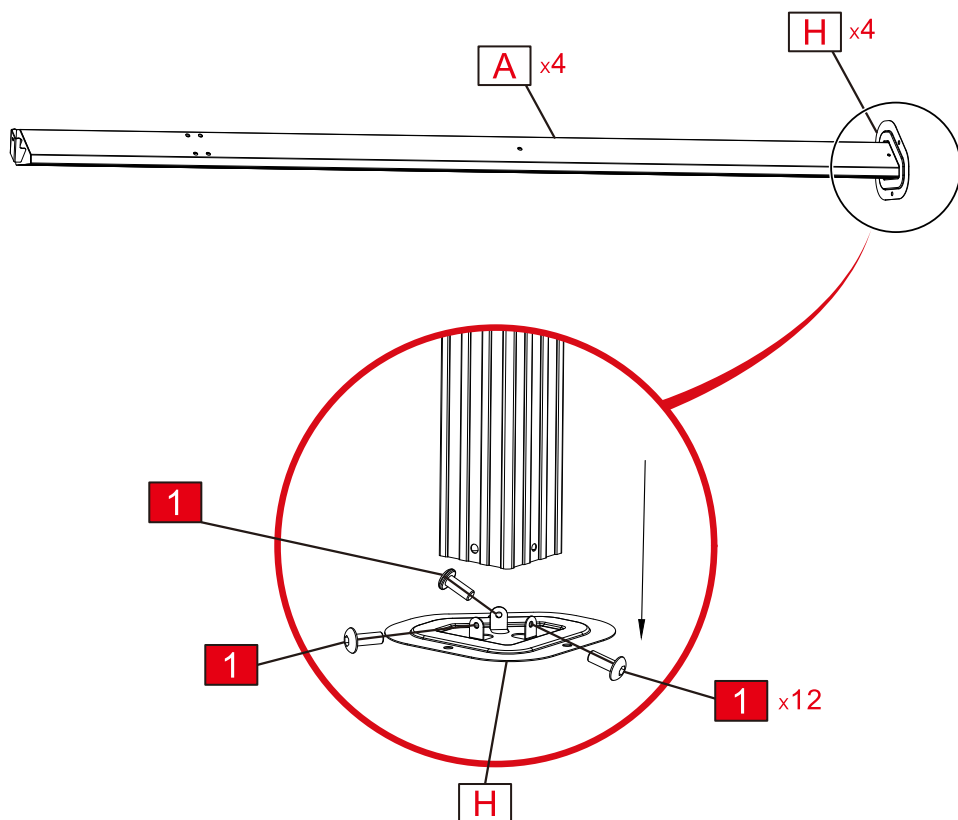
T2 	T3 	U 	V 
4PCS	1PC	104+4PCS	20PCS

W 	C3 
12PCS	2PCS

PRODUCT ASSEMBLY

1

Attach the bottom of part "A" to part "H" and tighten with 3 screws "1".

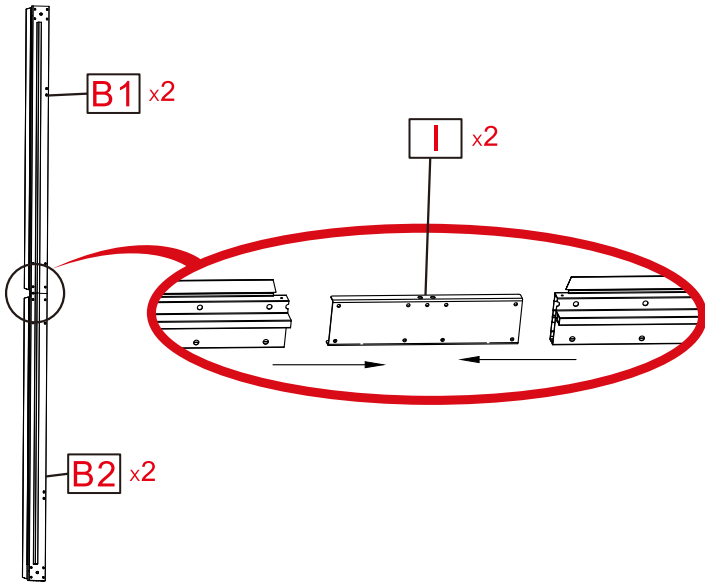


Notice: Repeat the above steps to connect the remaining 3 parts "A" and 3 parts "H"

PRODUCT ASSEMBLY

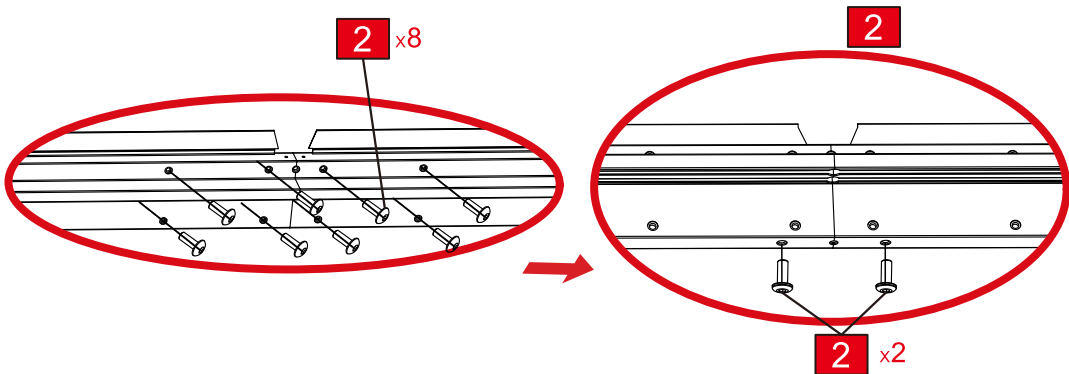
2

Put the connecting part "I" into the right frame of part "B2" and the left frame of part "B1"



3

Fasten them together with 8 screws "2" on the inside and 2 screws "2" on the bottom.



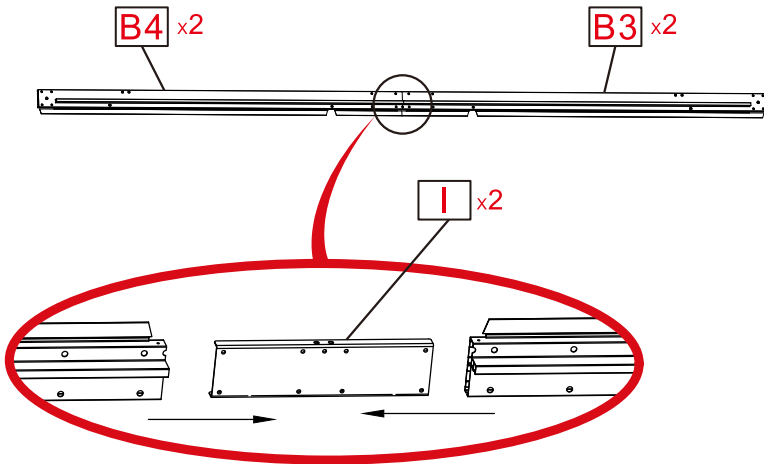
Notice: 1. Before fixing, please make sure all the screw holes are aligned.

2. Repeat the above steps to finish connecting the other part "B1" and part "B2".

PRODUCT ASSEMBLY

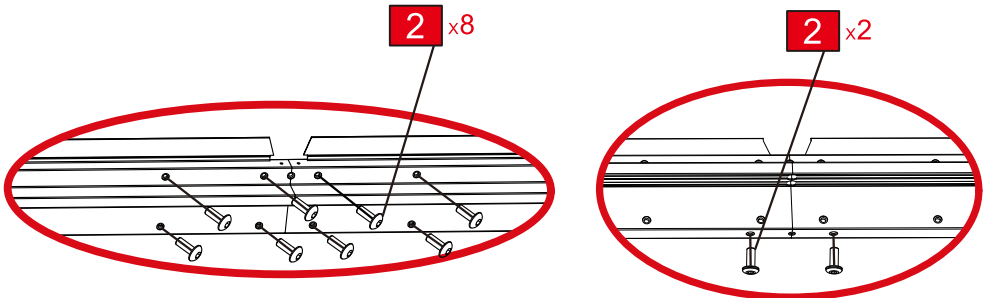
4

Place the connecting part "I" in the left frame of part "B3" and in the right frame of part "B4".



5

Fastened together with 8 screws "2" on the inside and 2 screws "2" on the bottom



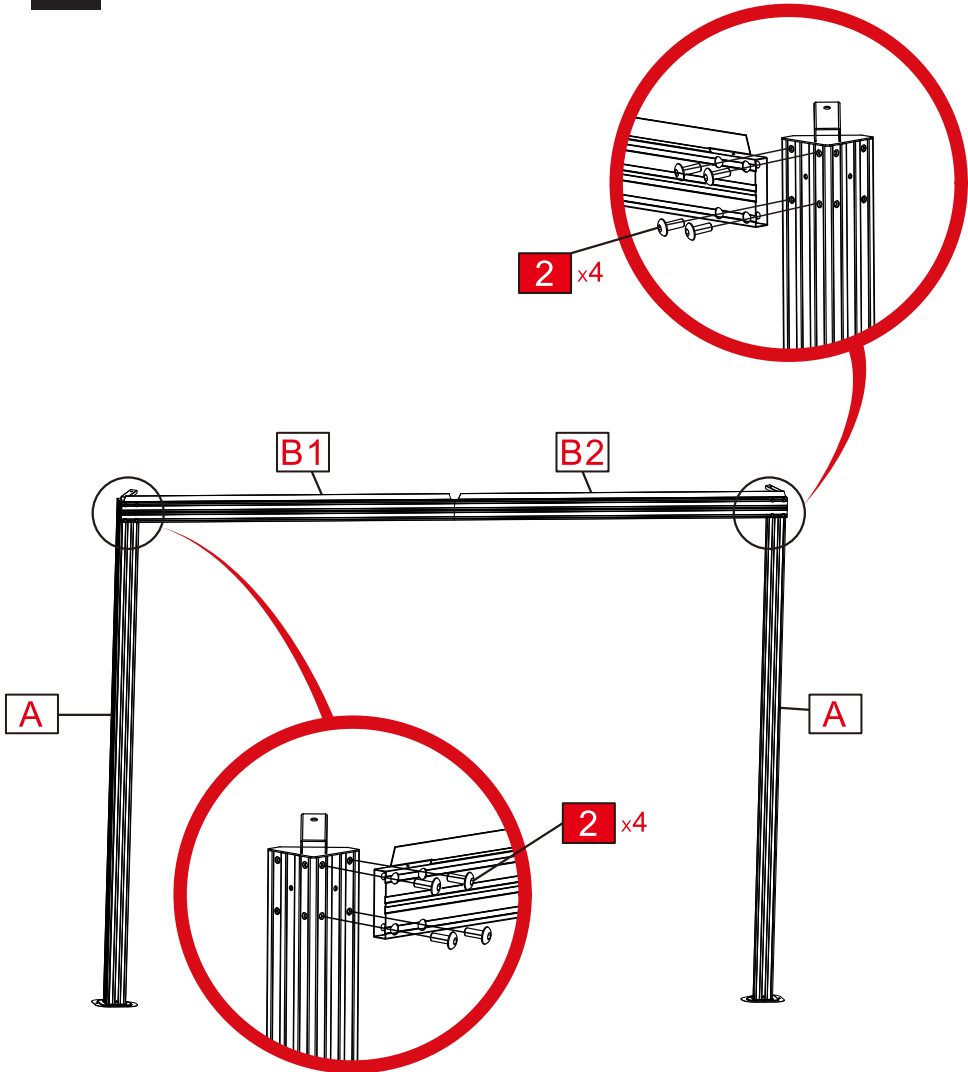
Notice: 1. Before fixing, please make sure all the screw holes are aligned.

2. Repeat the above steps to finish connecting the other part "B3" and part "B4".

PRODUCT ASSEMBLY

6

Attach the ends of part "B1" and part "B2" to the top of part "A", using 8 screws "2" to connect the two sides.

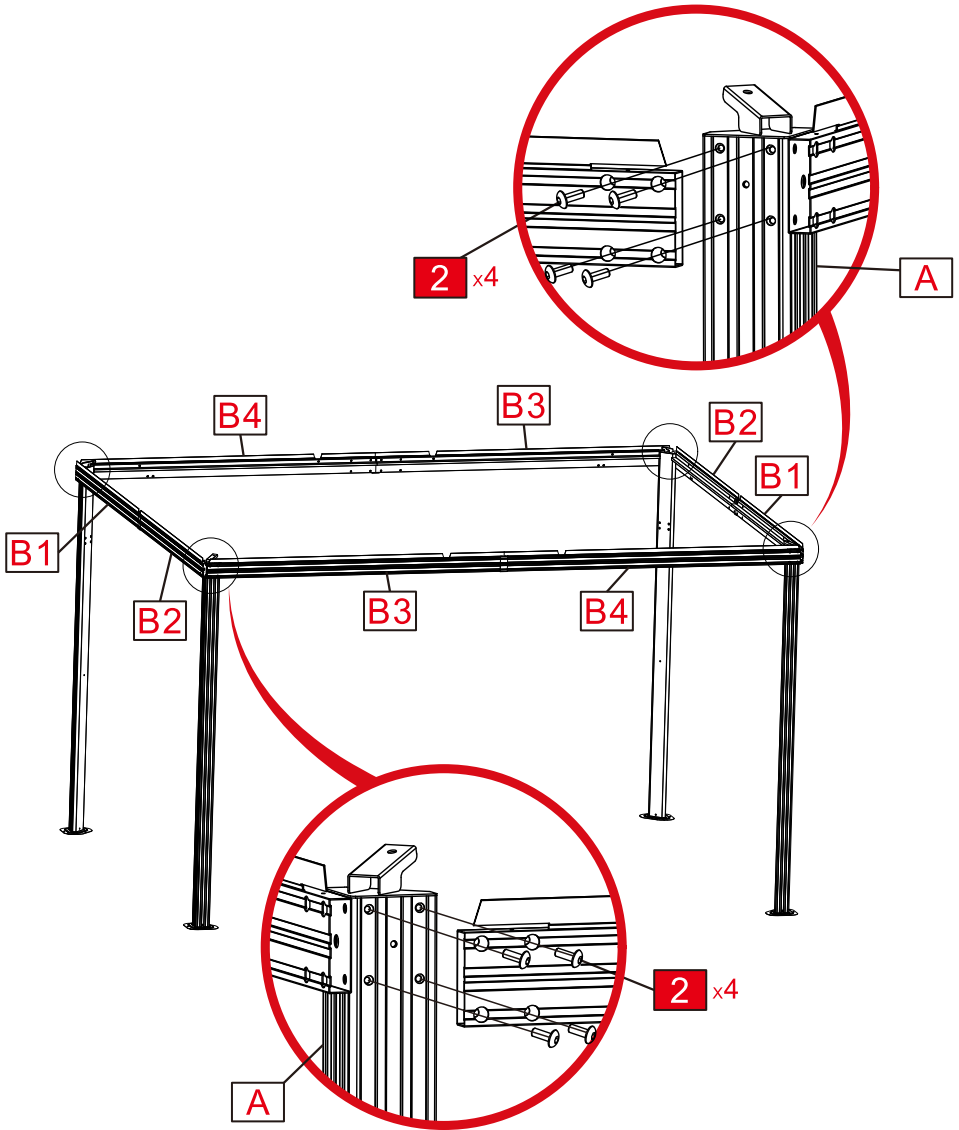


Notice: Repeat the above steps to complete the connection of the remaining part "B1" and part "B2" to the top of part "A".

PRODUCT ASSEMBLY

7

After finishing attaching part "B1" and part "B2" to part "A", attach both sides of part "B3" and part "B4" to the top of part "A", Fixed with 8 screws "2"



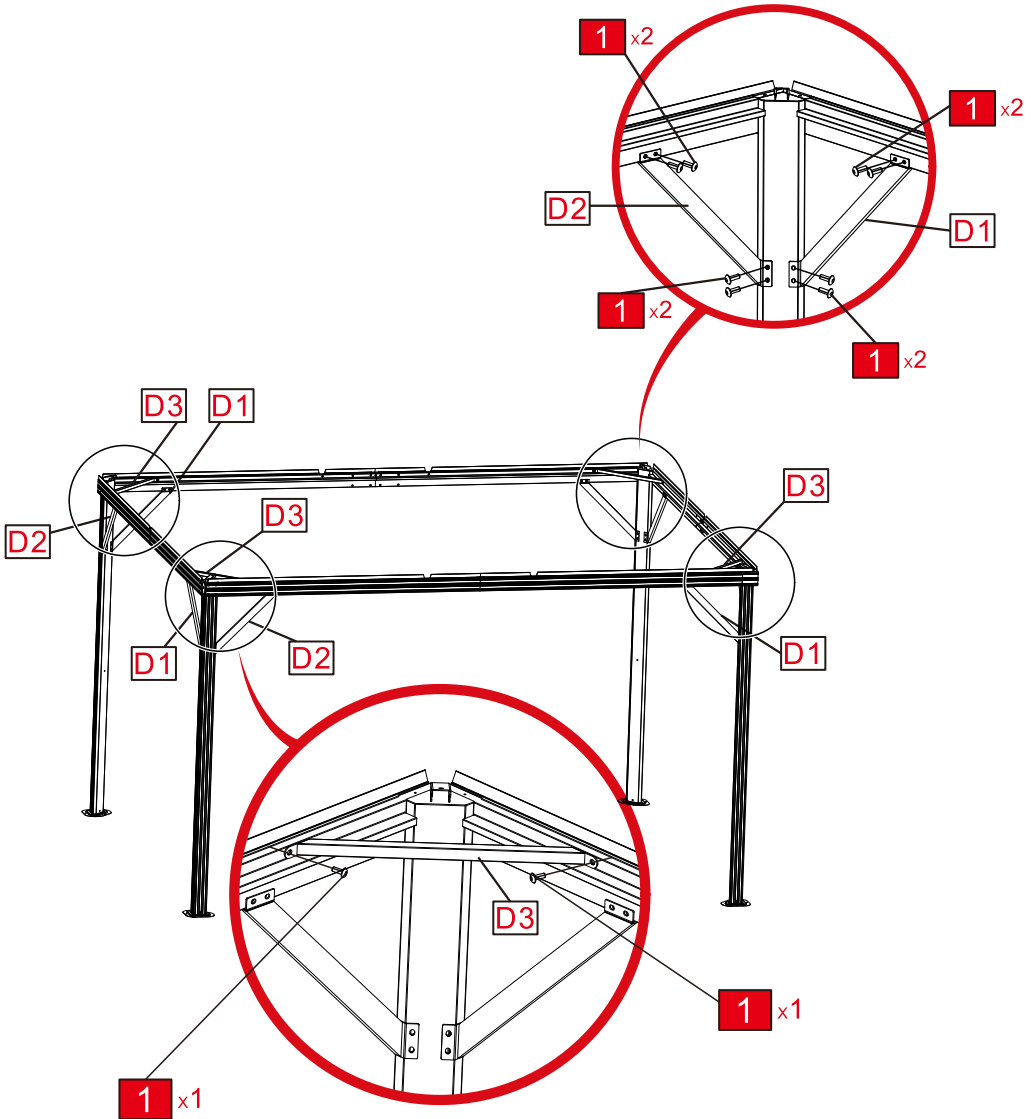
Notice: Repeat the above steps to complete the connection of the remaining part "B3" and part "B4" to the top of part "A".

PRODUCT ASSEMBLY

8

In the view from inside the gazebo, part "D1" is attached to the right side of the column using 4 screws "1", and part "D2" is attached to the left side of the column using 4 screws "1".

Use 8 screws "1" to attach part "D3" to the 8 holes of the cross member

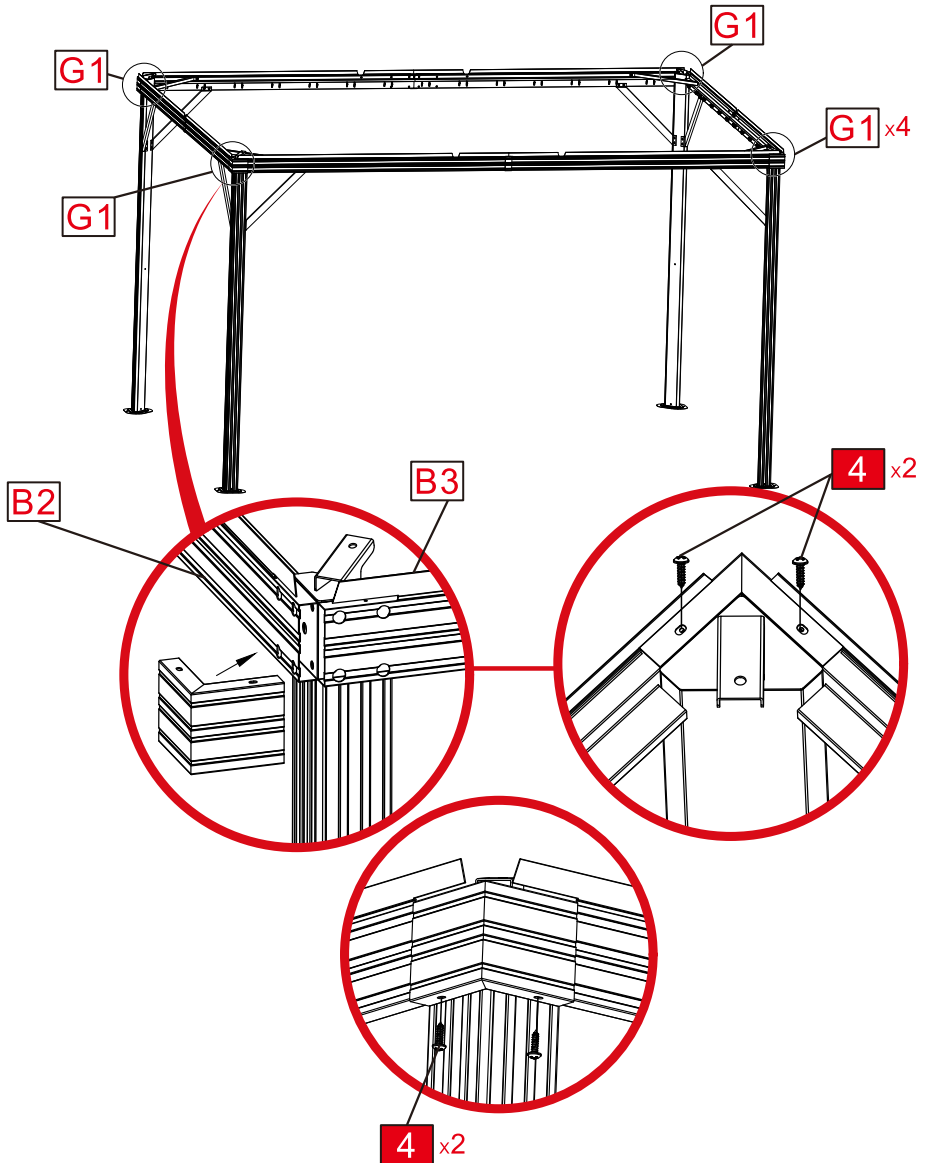


Notice: If you can't install it, you can skip this step.

PRODUCT ASSEMBLY

9

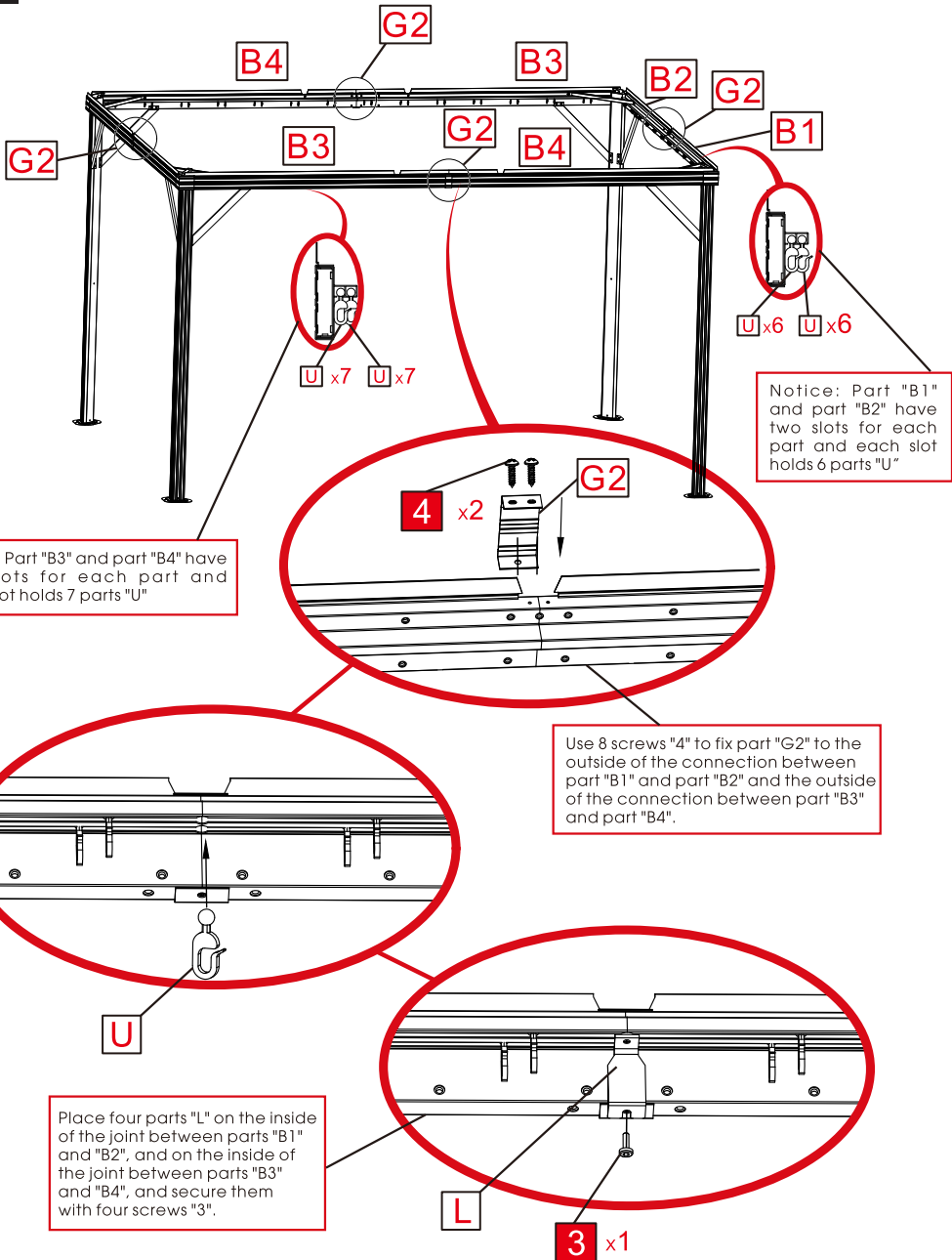
Attach the four parts "G1" to the four corners of the gazebo and fix them with 16 screws "4".



PRODUCT ASSEMBLY

10

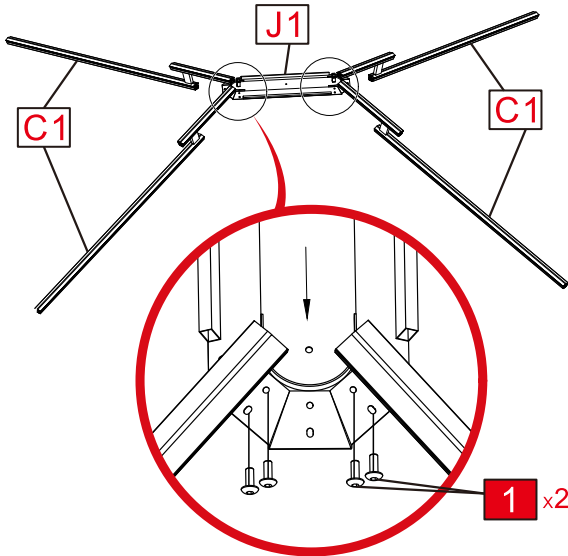
Place 56 parts "U" in the slots of part "B3" and part "B4".
Place 48 parts "U" in the slots from the connection of part "B1" and part "B2".



PRODUCT ASSEMBLY

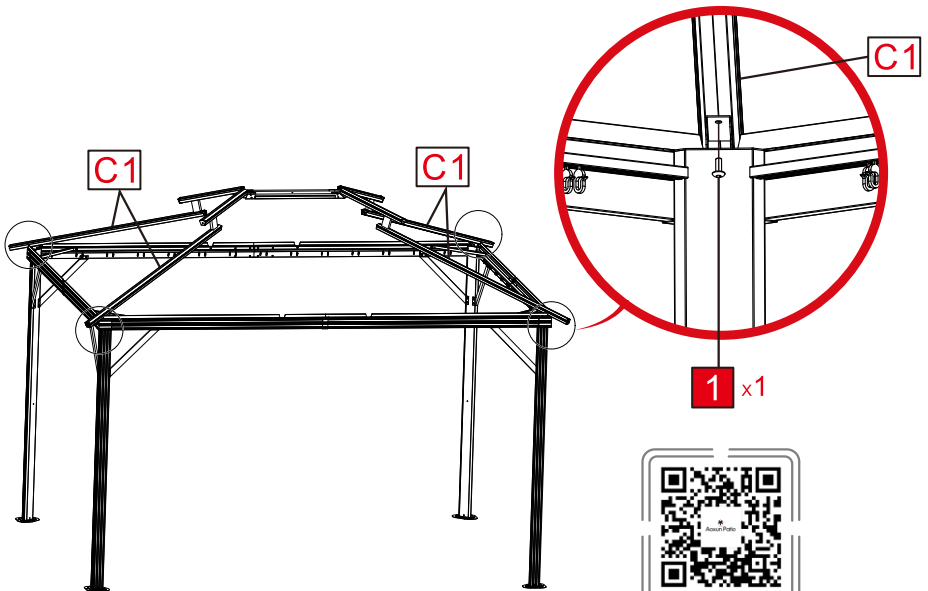
11

Place the top of the 4 parts "C1" on the sides of the part "J1" and fix them with 8 screws "1".



12

Attach the bottom of part "C1" to the corners using 4 screws "1".

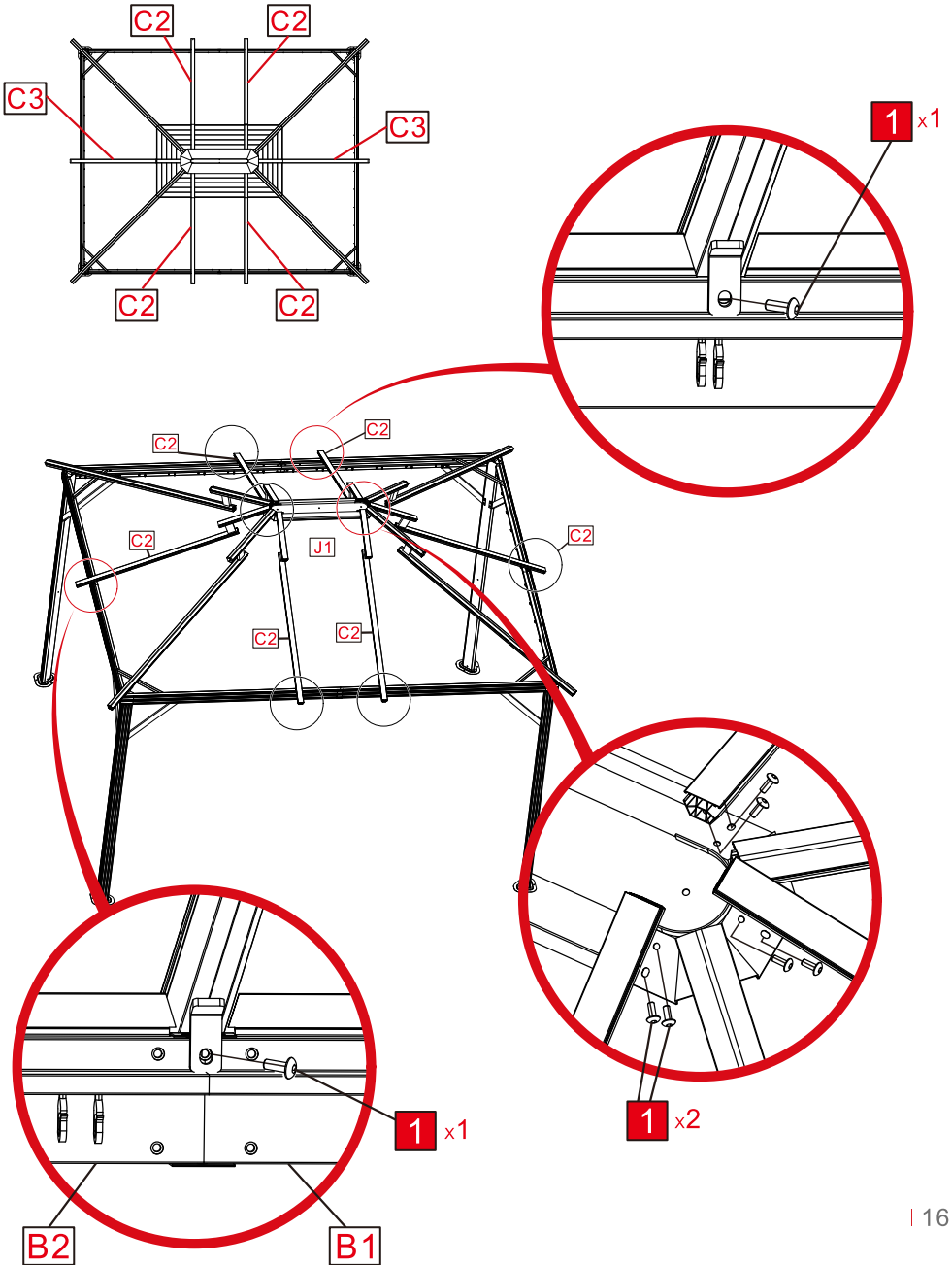


Scan the code to view the installation video.

PRODUCT ASSEMBLY

13

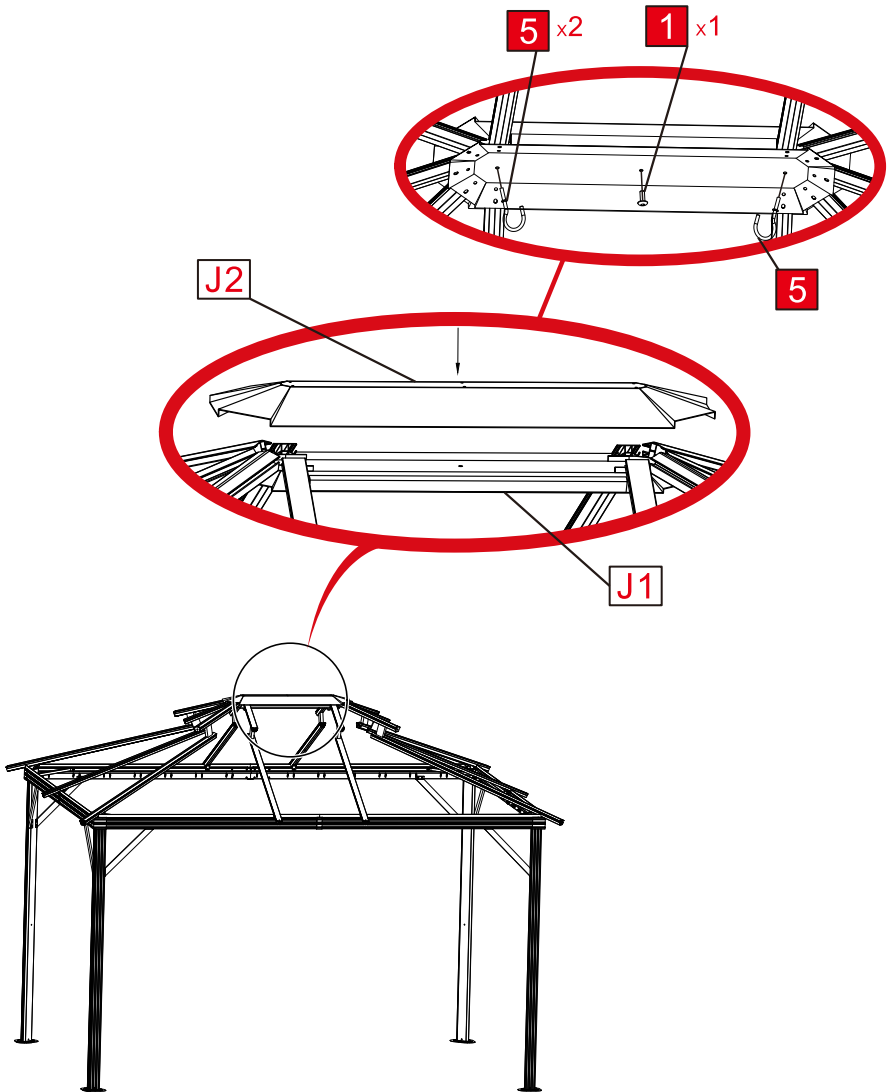
Place the 6 parts "C2" in the position shown in the figure and fix them with 18 screws "1".



PRODUCT ASSEMBLY

14

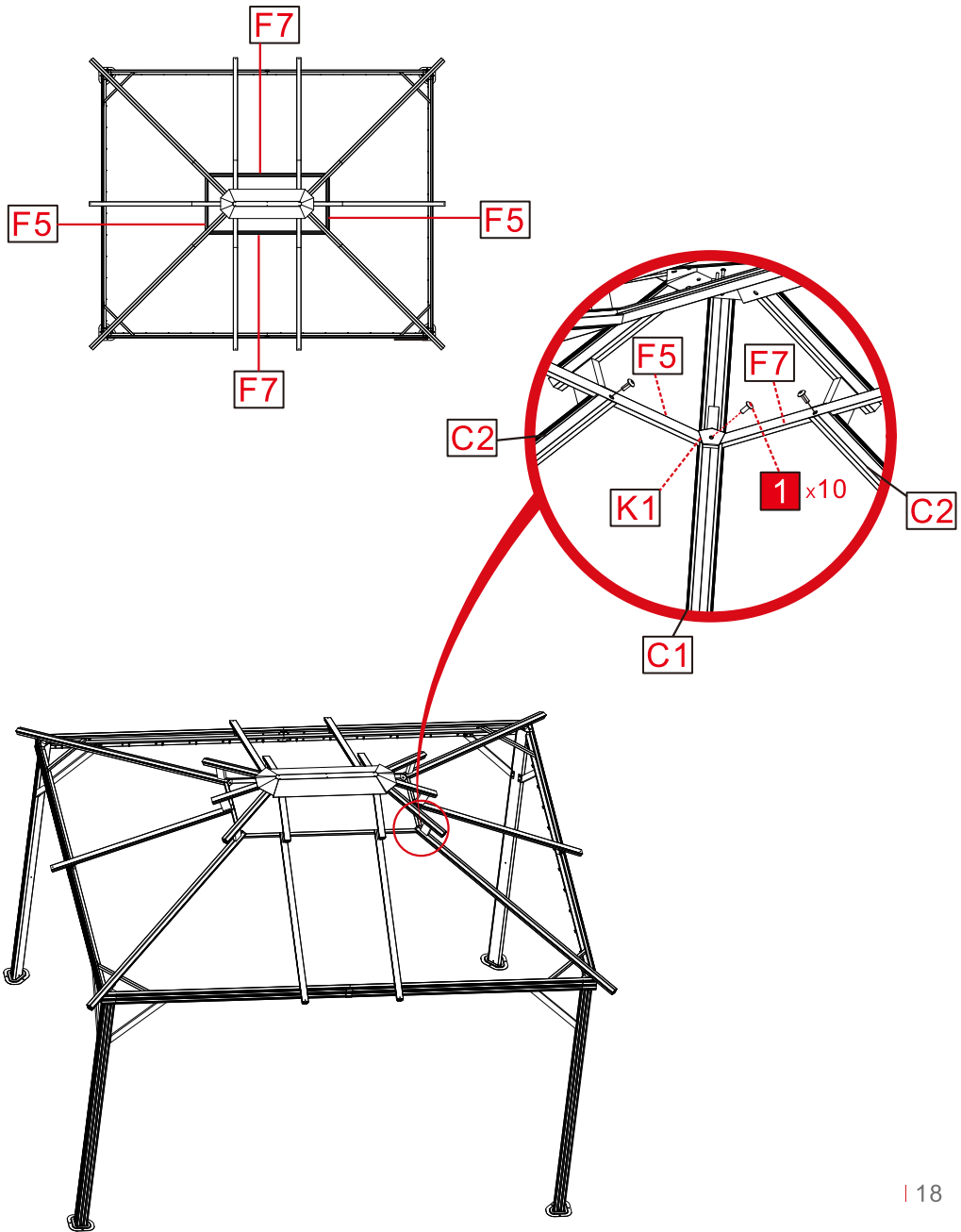
Place part "J2" on top of part "J1" and use a screw "1" and two screw "5" to fix it.
Another way of installation: Place part "J2" on top of part "J1" and use a screw "1" to fix it and Place two screws "5" on top of the inside of part "C3".



PRODUCT ASSEMBLY

15

Attach two parts "F7" to the long side and two parts "F5" to the short side. Use 4 parts "K1" and 4 screws "1" to fix part "F5" and part "F7" at the four corners. Use 6 screws "1" to fix the remaining holes.



PRODUCT ASSEMBLY

16

Please note before installation

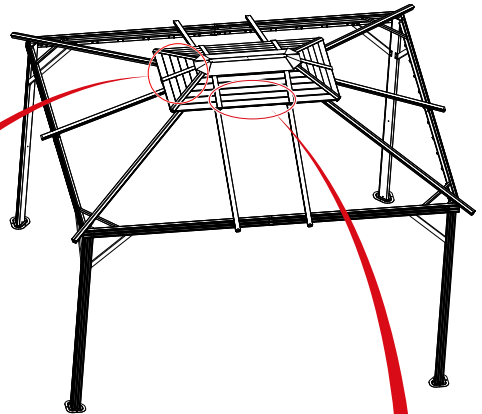
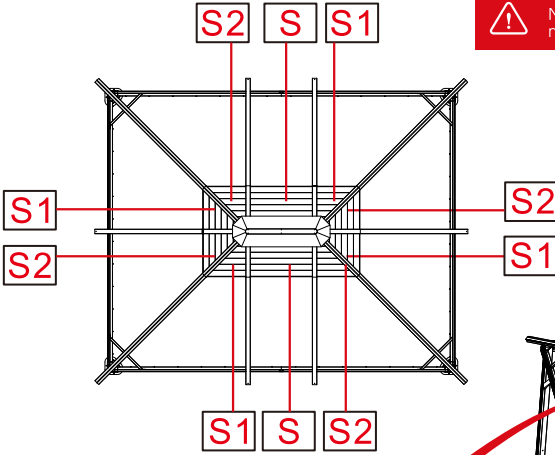
First, place part "S", part "S1" and part "S2" on the open space in the order of installation, so that they can be installed in order during installation.



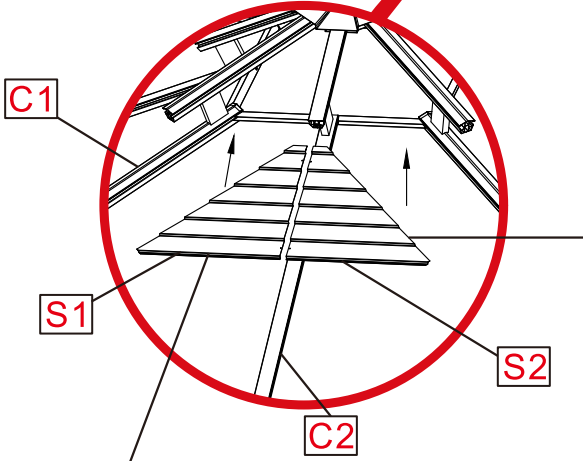
Notice: Any incorrect installation sequence may result in an unsuccessful installation.



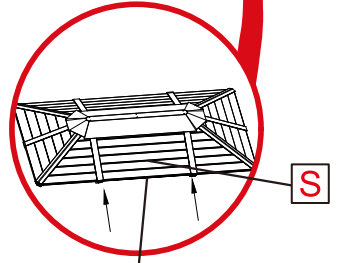
Scan the code to view the installation video.



Place the 4 parts "S2" on the right side of the roof on each side.



First place the 4 parts "S1" on the left side of the roof on each side.

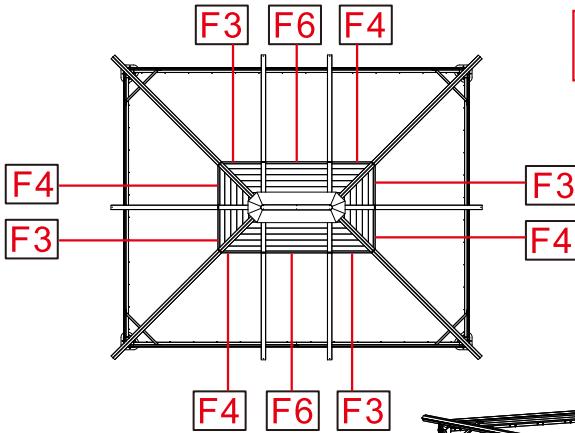


Place 2 parts "S" in the middle of part "S1" and part "S2".

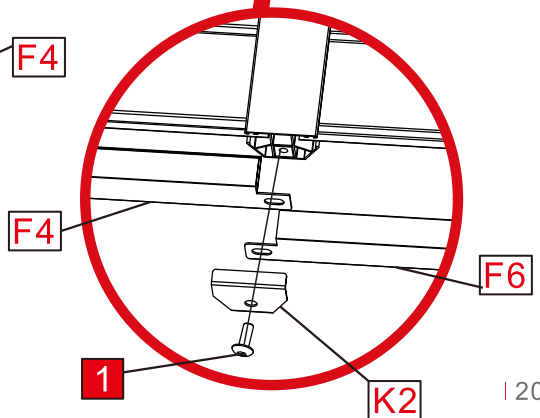
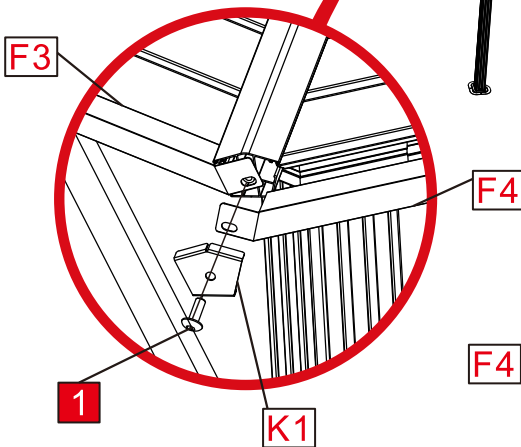
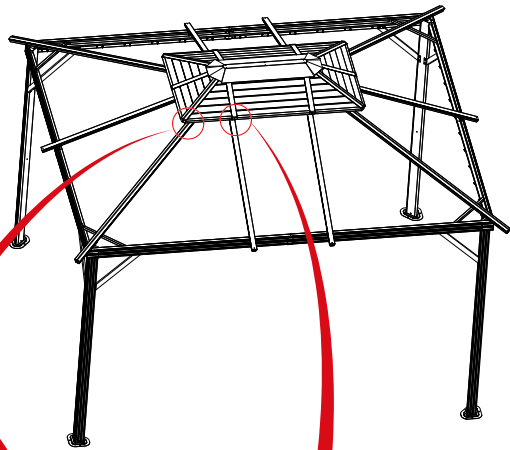
PRODUCT ASSEMBLY

17

First, place part "F4" in the position shown in the figure, and place part "F6" to the right of part "F4", and use a part "K2" and a screw "1" to fix the right side of part "F4" to the left side of part "F6".



Place the parts in counterclockwise order and fix them with screws.




PRODUCT ASSEMBLY

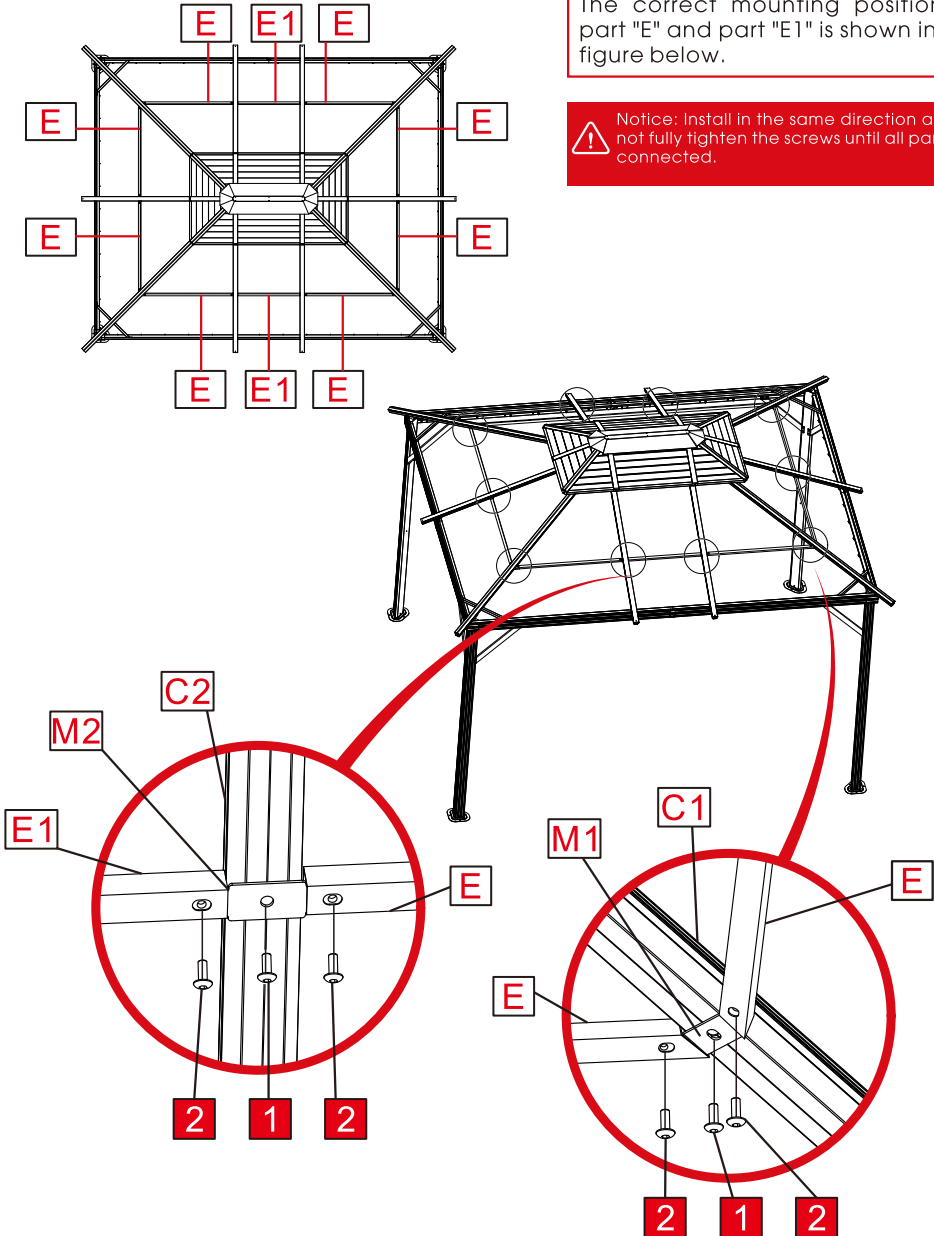
18

Fix part "M1" and part "M2" to the middle of part "C1" and part "C2" using 10 screws "1".

Assemble part "E" and part "E1" in clockwise or counterclockwise order, and secure them with 20 screws "2".

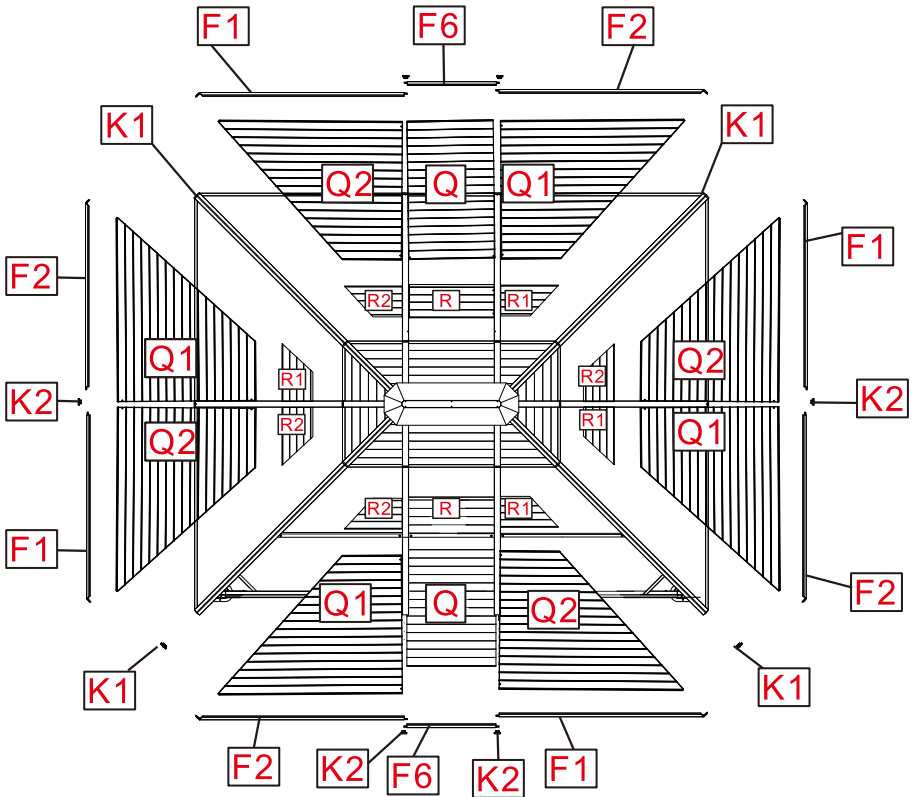
The correct mounting position of part "E" and part "E1" is shown in the figure below.

 Notice: Install in the same direction and do not fully tighten the screws until all parts are connected.



19

Before installation, please place the parts in the position as shown in the figure below.

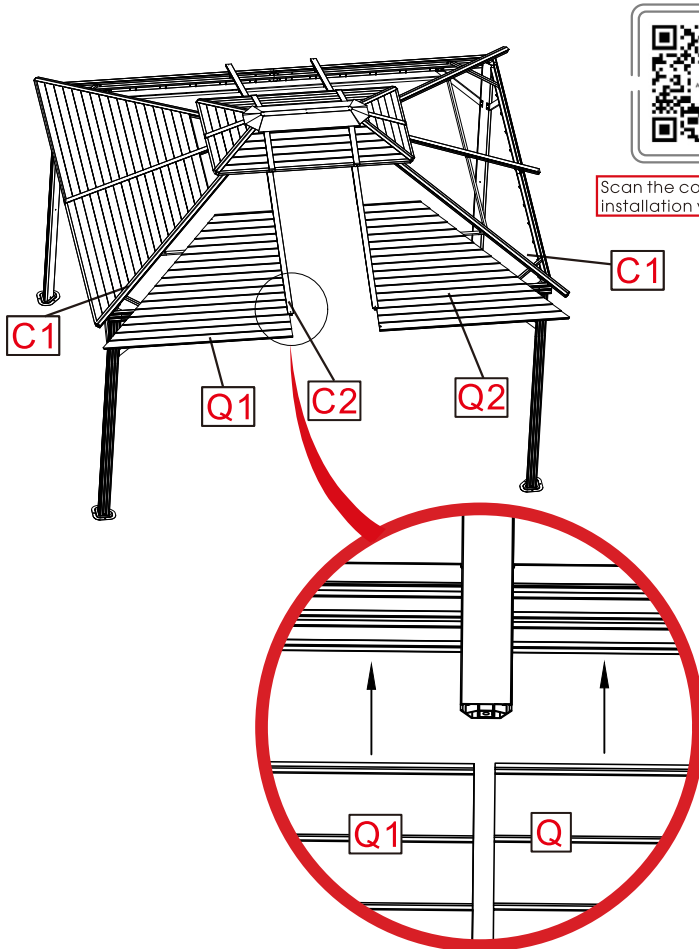


PRODUCT ASSEMBLY

20

First, put part "Q1" into the groove of part "C2" and slide it upward, and when attaching part "C1", align the left edge of part "Q1" with the groove of part "C1".

Put part "Q2" into the groove of the right part "C2" and slide it upward, and when attaching the left part "C1", align the right edge of part "Q2" with the groove of part "C1".



Scan the code to view the installation video.

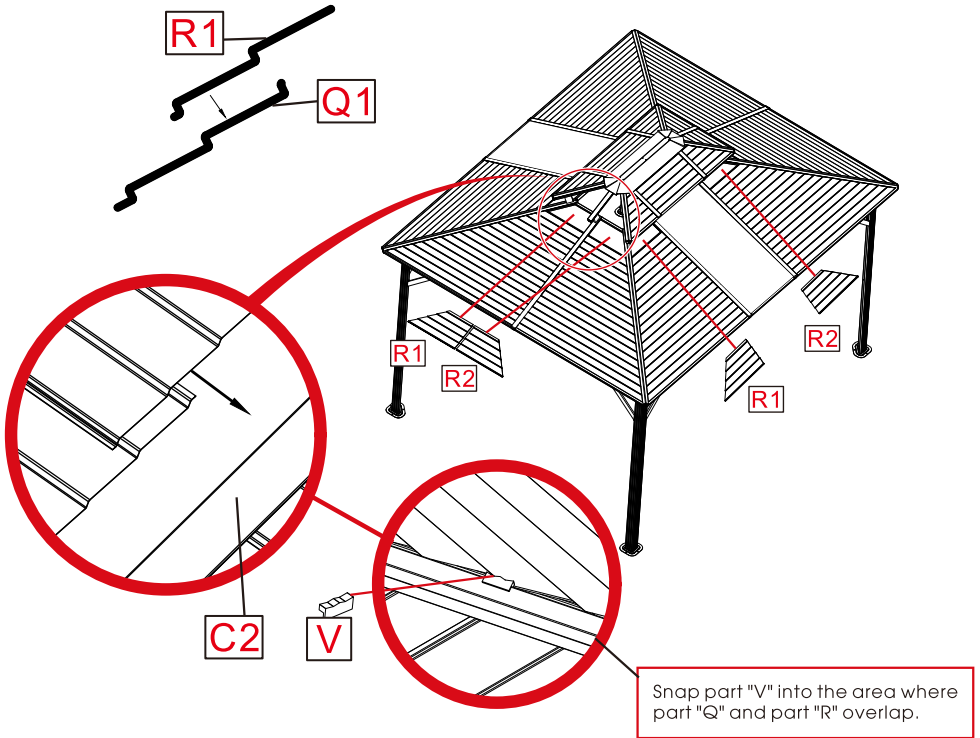


Notice: Be sure to put part "Q1"/"Q2" into the slot of part "C2" first and slide it upward, and then put part "Q1"/"Q2" into the slot of part "C1", as the wrong installation method may cause installation errors.

PRODUCT ASSEMBLY

21

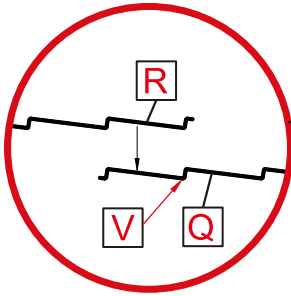
Place part "R1" on the left side of each roof and part "R2" on the right side of each roof.



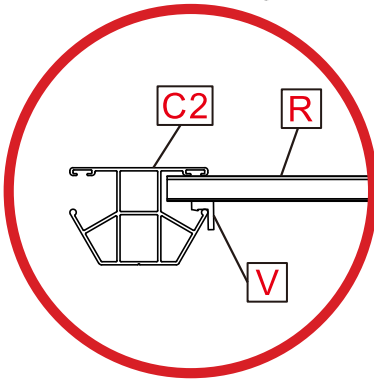
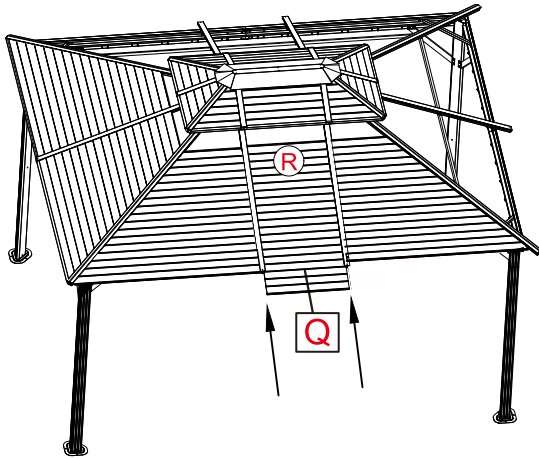
PRODUCT ASSEMBLY

22

Press part "R" on top of part "Q", and push part "R" and part "Q" into part "C2" as a whole, inside of part "C2".



Press the bottom of part "R" on the top of part "Q".

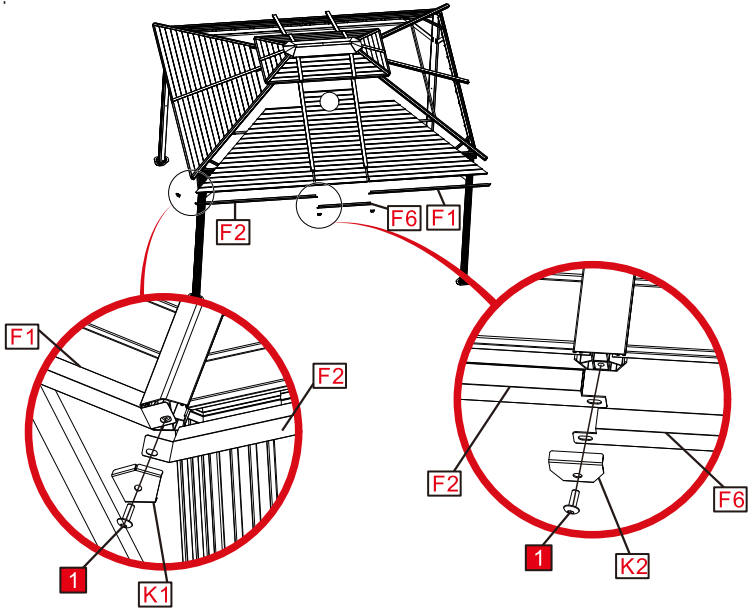


Snap part "V" into the area where part "Q" and part "R" overlap.

PRODUCT ASSEMBLY

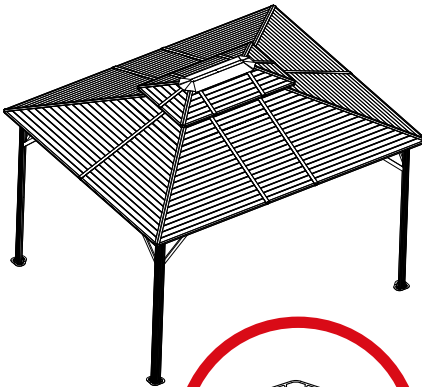
23

Place part "F2" on the left side of each roof, use a part "K1" and a screw "1" to fix part "F2" on the The left side and one part "K2" and one screw "1" are used to fix the right side of the part "F2". Install part "F6" and part "F1" in counterclockwise direction.

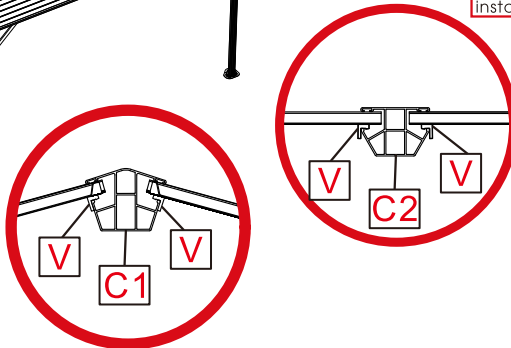


24

Put part "V" in the position where "R1/R2" and "Q1"/"Q2" overlap in order.



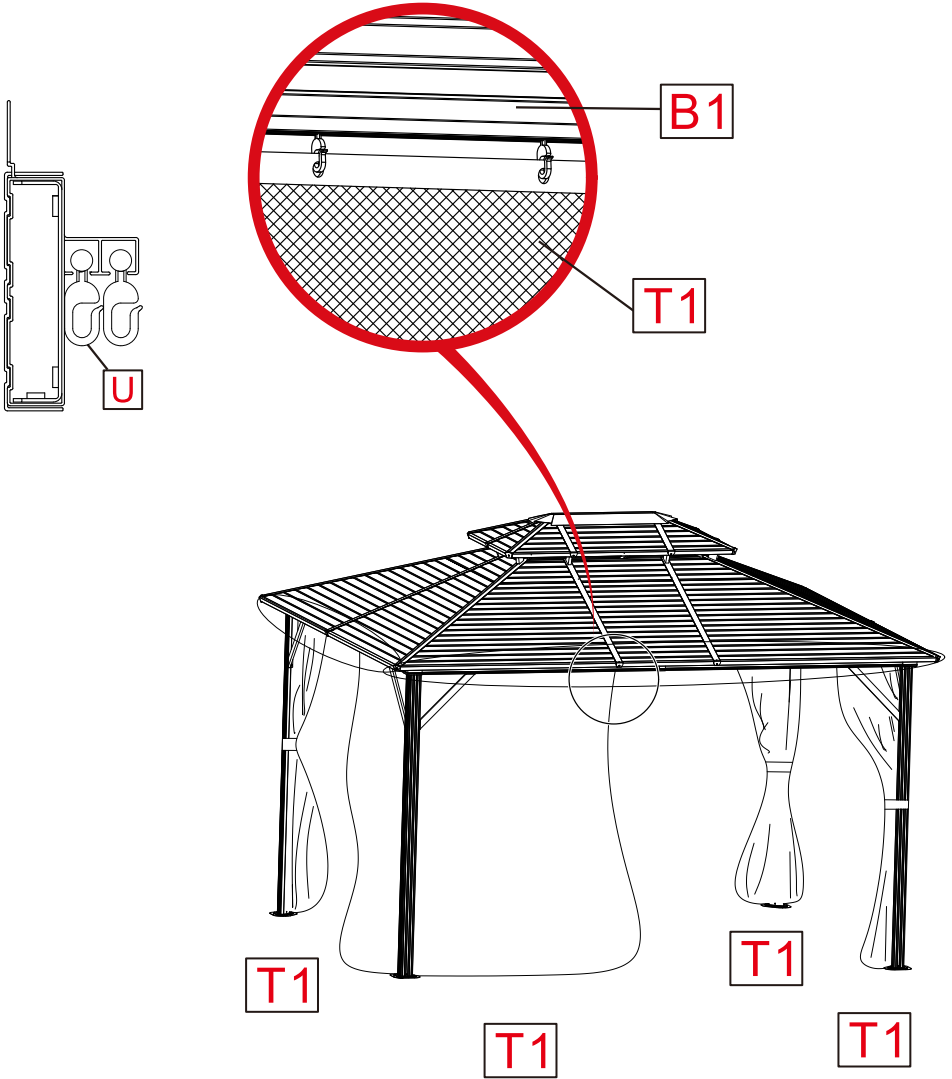
Scan the code to view the installation video.



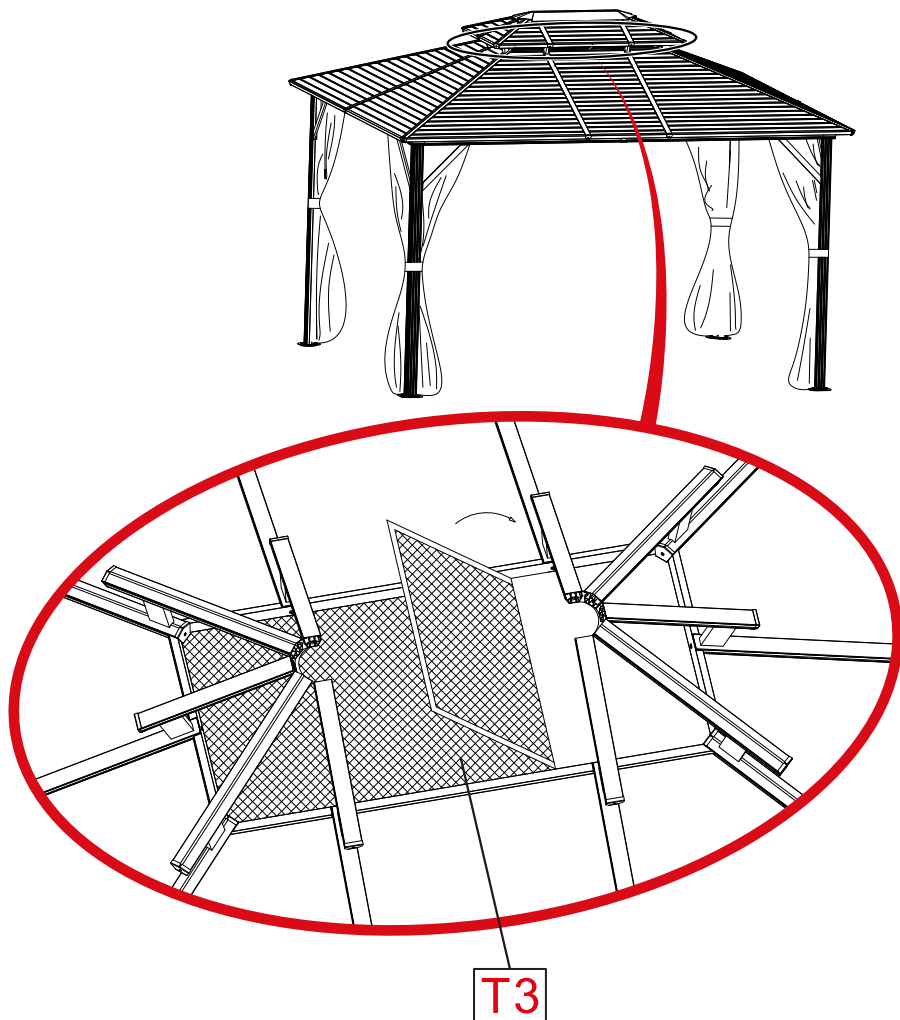
PRODUCT ASSEMBLY

25

Place the perimeter tent and netting on top of the hooks in turn.

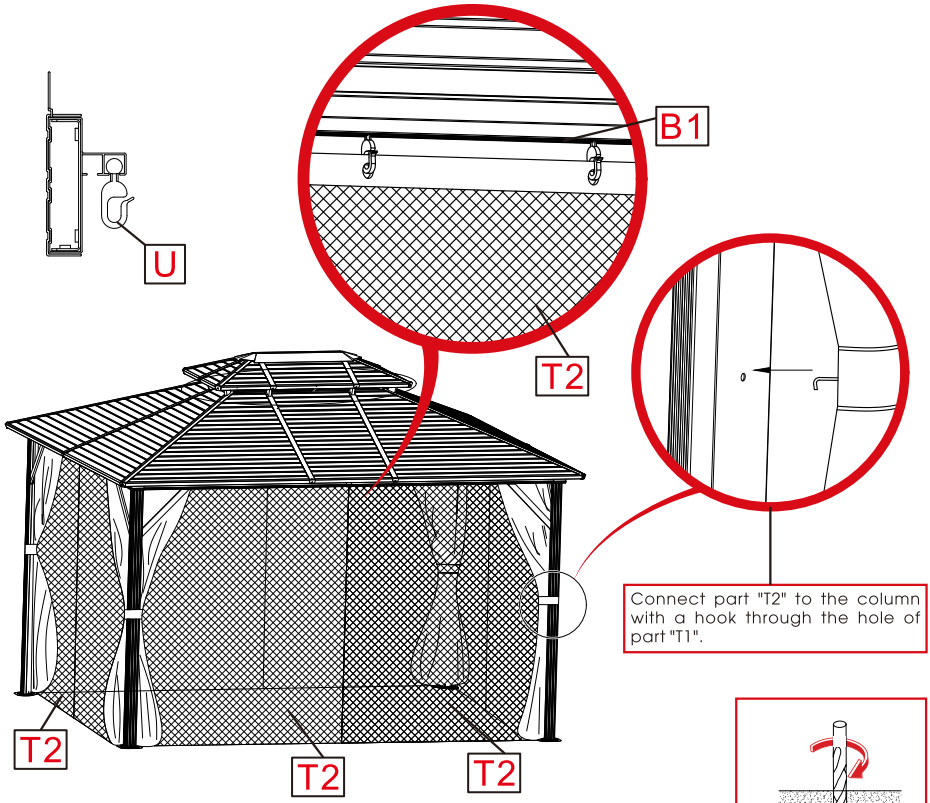


26 Assembled part "T3" inside of the roof.

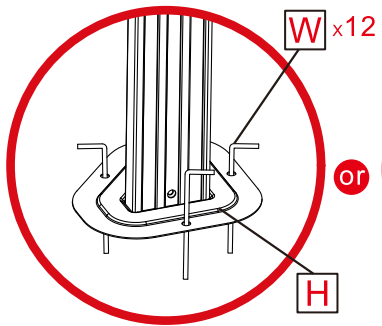
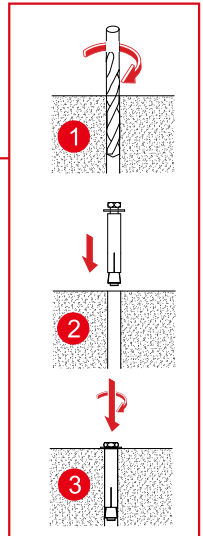


PRODUCT ASSEMBLY

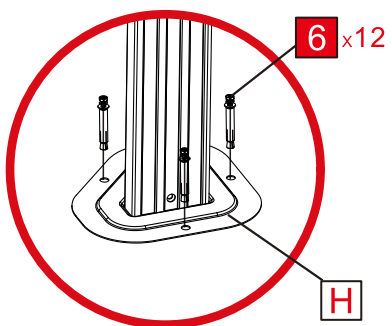
27 Place part "T2" on the hook on the beam.



Ground nail installation method



or





Question about your product? We're here to help. Visit us at:



Chat Support



Product Inquiry



Orders FAQ



Product Assembly



Returns & Refunds

We Stand Behind the Quality of Their Furniture

If you have any issues with your item please let us know! We will always do our best to come up with a solution that you will be happy with. Please get in touch with our customer service team before returning the product.

And pls do not throw the original box(es) if you have not finished assembling or confirmed no quality issues.

Length of return period:

Items can be returned within 30 days of purchase. In the meanwhile, everything you purchased from us comes with a one-year warranty.

Who is responsible for the return shipping fee:

We will cover the return shipping fees if:

1. Your item has a manufacturing defect in its materials or workmanship. For example, torn wicker or misaligned screw holes. We will send you a prepaid shipping label after photos are sent.
2. Your item has been damaged in transit. For example, glass is broken or wicker is damaged. We will send you a prepaid shipping label after photos are sent.
3. You receive the wrong box(es) due to a warehouse error. We will send you a prepaid shipping label after photos are sent of the wrong SKU numbers on the outer box(es).
4. One or more boxes are lost in transit. We will send you a prepaid shipping label if you no longer want the item.

*However, we still hope to work with you for a better solution instead of a return. Please don't hesitate to contact our customer service team.

Customer will cover the return shipping fees if:

1. You don't like the product(s) after receiving the box(es).
2. You no longer need the product(s) but you have received the box(es).
3. You buy the product(s) by mistake but you have received the box(es).
4. Order/shipment cancellation failed and you have received the box(es).

Return request

In order to get a full refund as described in this return policy, all items must be: (1) In a brand new/unused condition, please provide photos before and after packaging. (2) When returning, all accessories and parts are firmly packed in all original packaging.

If your return does not meet the requirements, you may not get a full refund.

When will I be refunded? The refund is released once the goods have been returned to our warehouse. What if the product is damaged/defective outside of the valid return period? We want you to be a happy customer. Please reach out to us by email and we will come up with a solution to make sure you are satisfied.