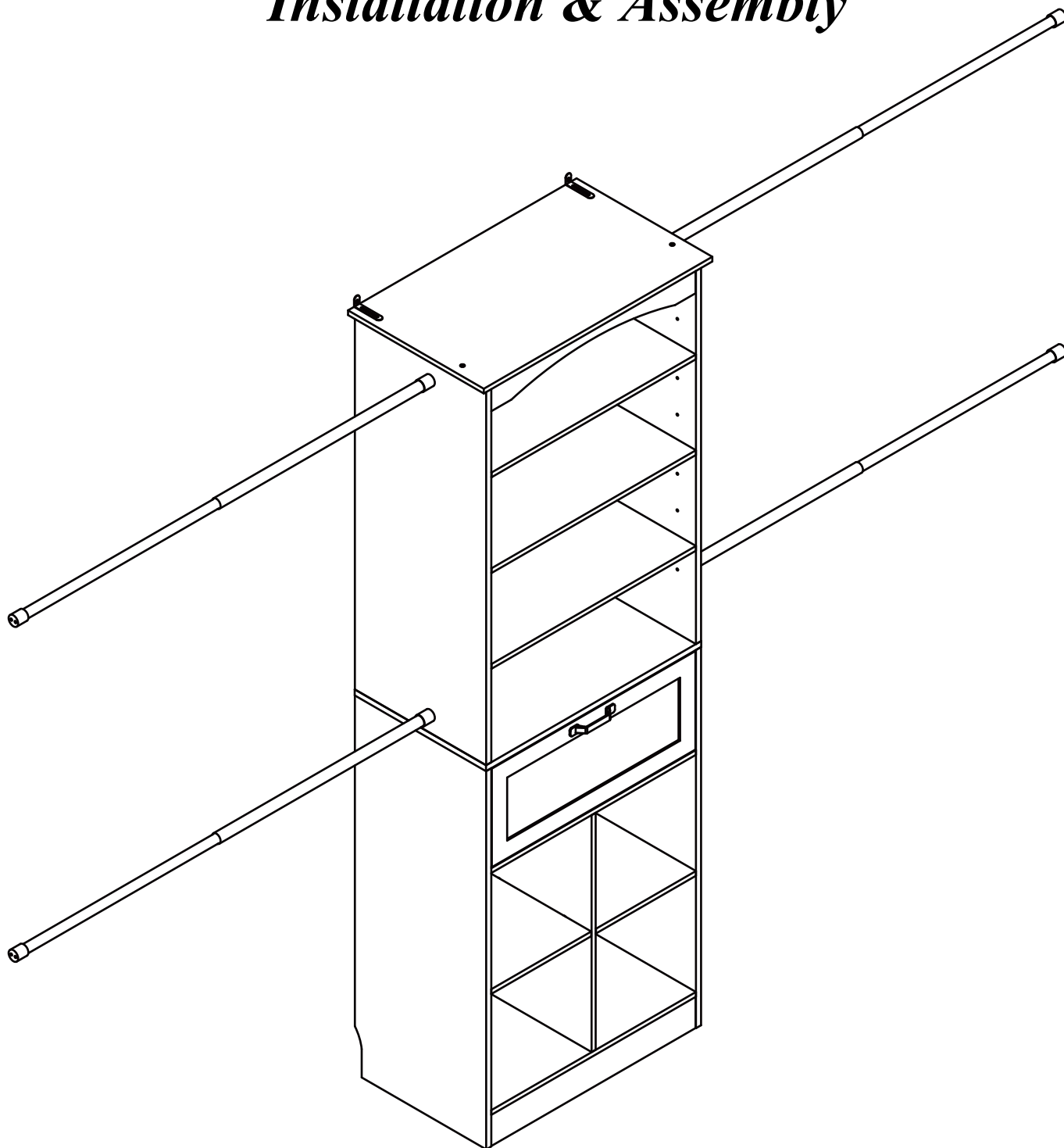
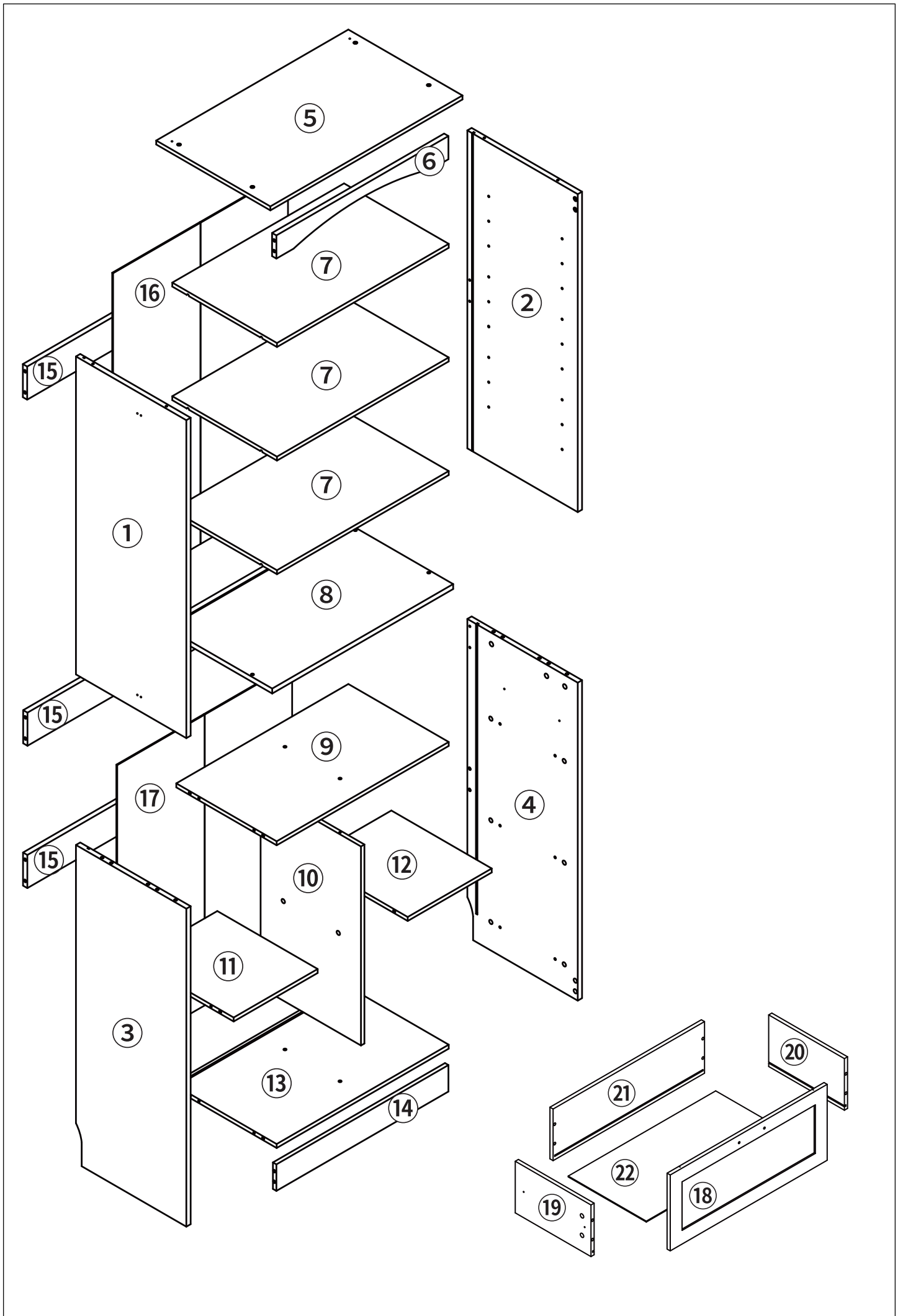




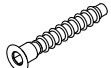


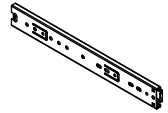

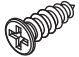

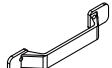
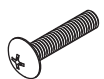
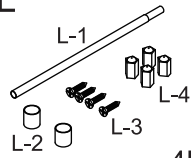

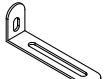
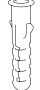
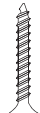

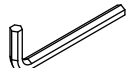
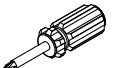
# *Installation & Assembly*



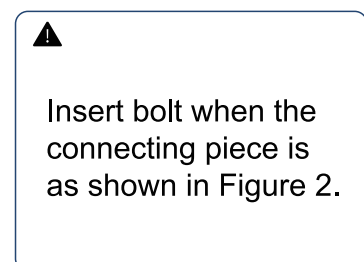
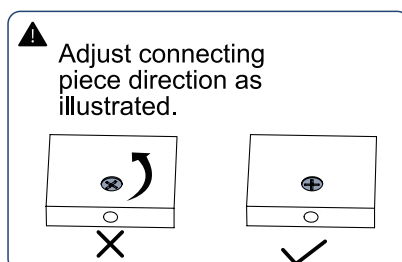
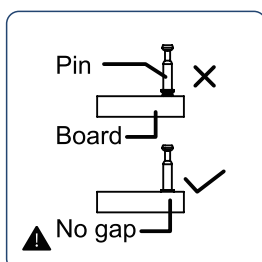
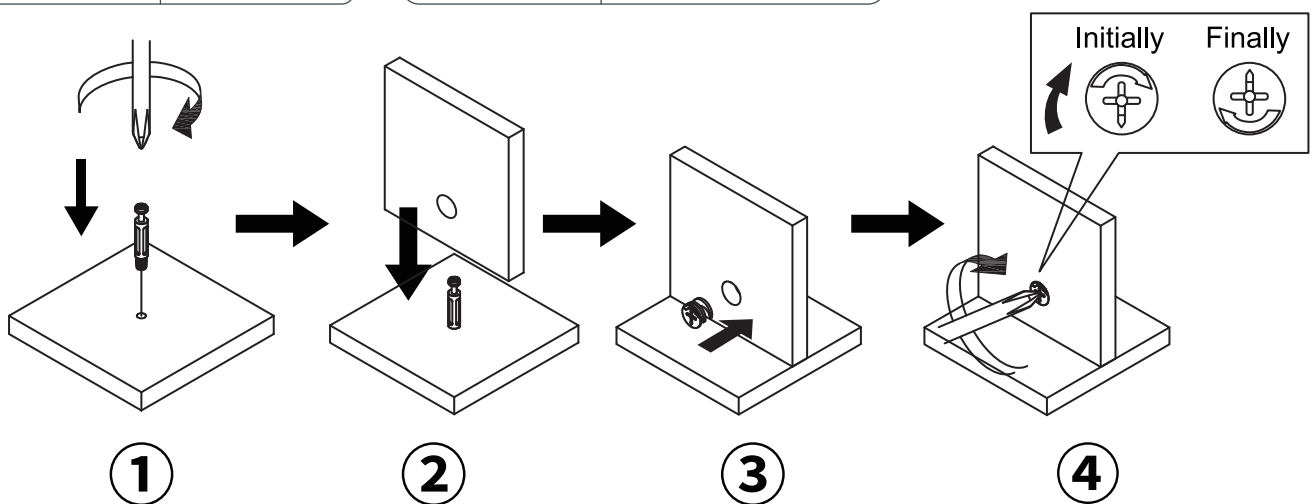
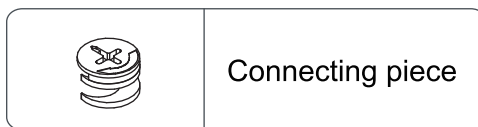
If you need any help during assembly, please contact us  
Sharing a video and a brief description of where you're stuck will help us assist you better.



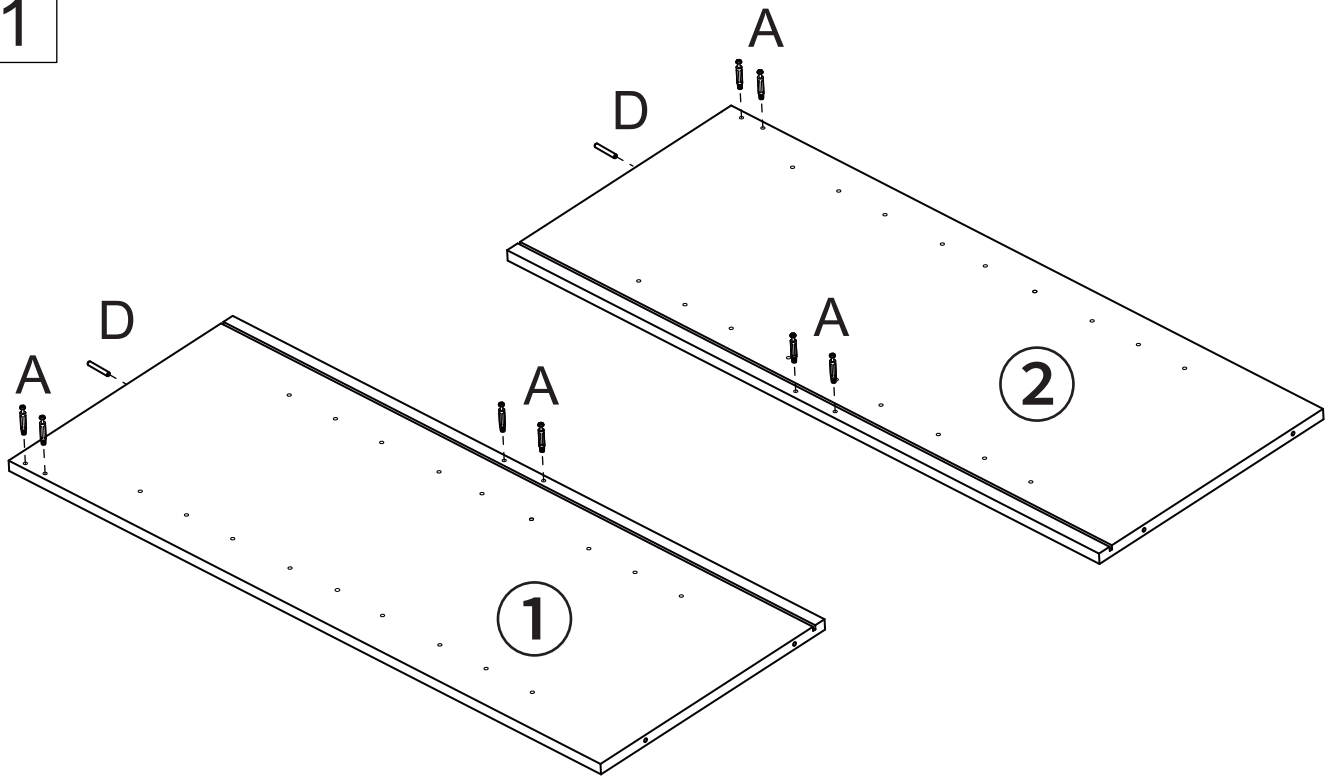
**Package Contents: Hardware** \*Please count and verify all parts before assembly.\*

<p><b>A</b></p>  <p>46PCS</p>	<p><b>B</b></p>  <p>46PCS</p>	<p><b>C</b></p>  <p>M6.3x45 16PCS</p>	<p><b>D</b></p>  <p>M6 22PCS</p>	<p><b>E</b></p>  <p>ST4x12 8PCS</p>
<p><b>F</b></p>  <p>2PCS</p>	<p><b>G</b></p>  <p>12PCS</p>	<p><b>H</b></p>  <p>ST3x14 16PCS</p>	<p><b>I</b></p>  <p>16PCS</p>	<p><b>J</b></p>  <p>1PC</p>
<p><b>K</b></p>  <p>M4x18 2PCS</p>	<p><b>L</b></p>  <p>L-1 L-2 L-3 L-4 4PCS</p>	<p><b>M</b></p>  <p>ST4x12 4PCS</p>	<p><b>N</b></p>  <p>4PCS</p>	<p><b>O</b></p>  <p>4PCS</p>
<p><b>P</b></p>  <p>4PCS</p>	<p><b>Q</b></p>  <p>20PCS</p>	<p><b>R</b></p>  <p>2PCS</p>	<p><b>S</b></p>  <p>1PC</p>	

**Installation of Eccentric Unit**



1



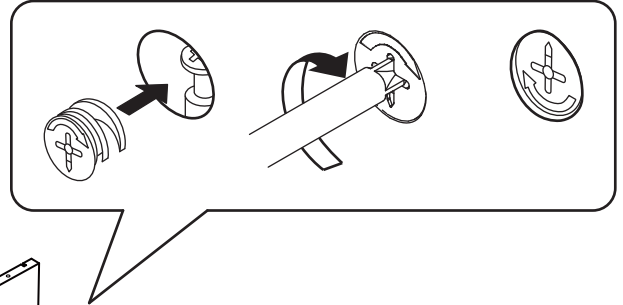
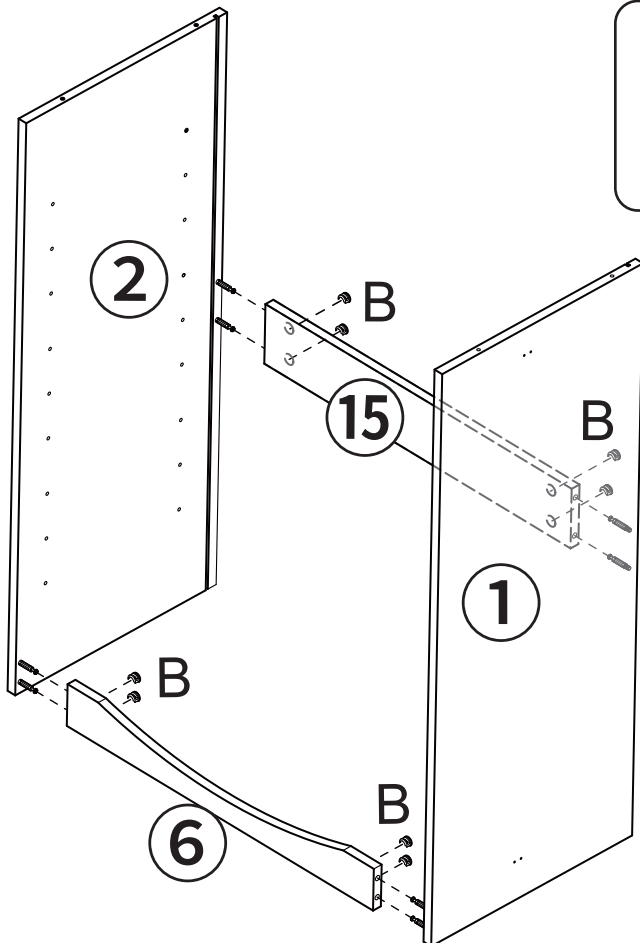
A x 8

D x 2



Twist (A) and insert (D) into the holes of (1) and (2).

2

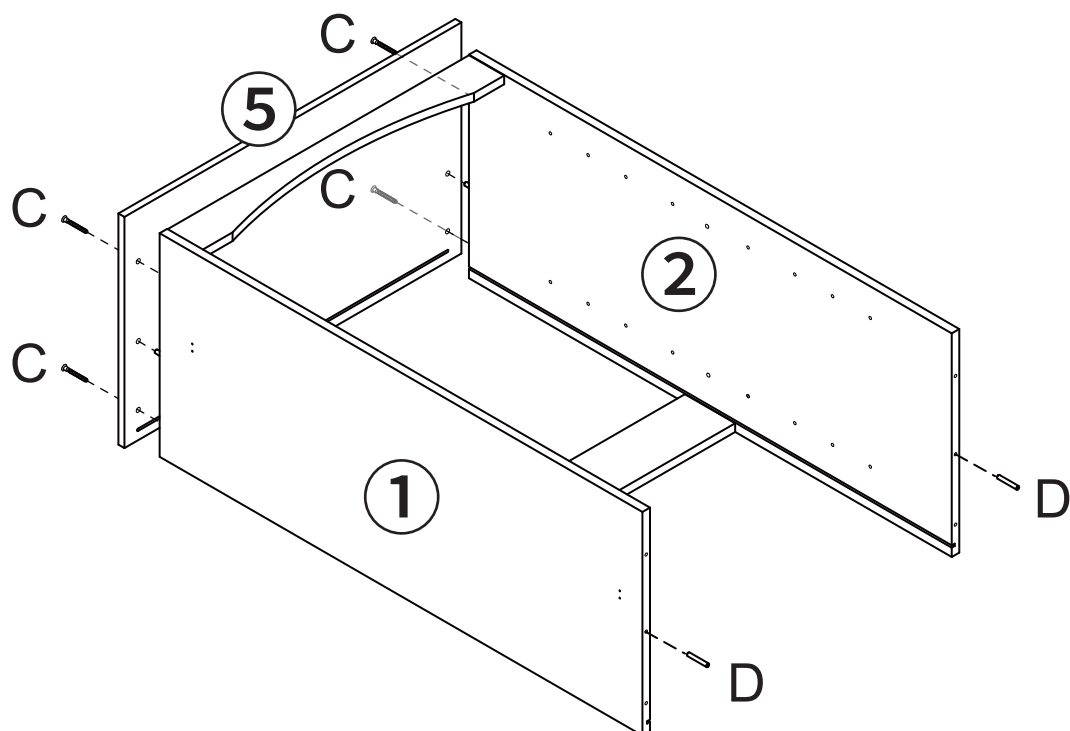


B x 8



Connect (6) (15) with (1) (2), securing with (B).

3



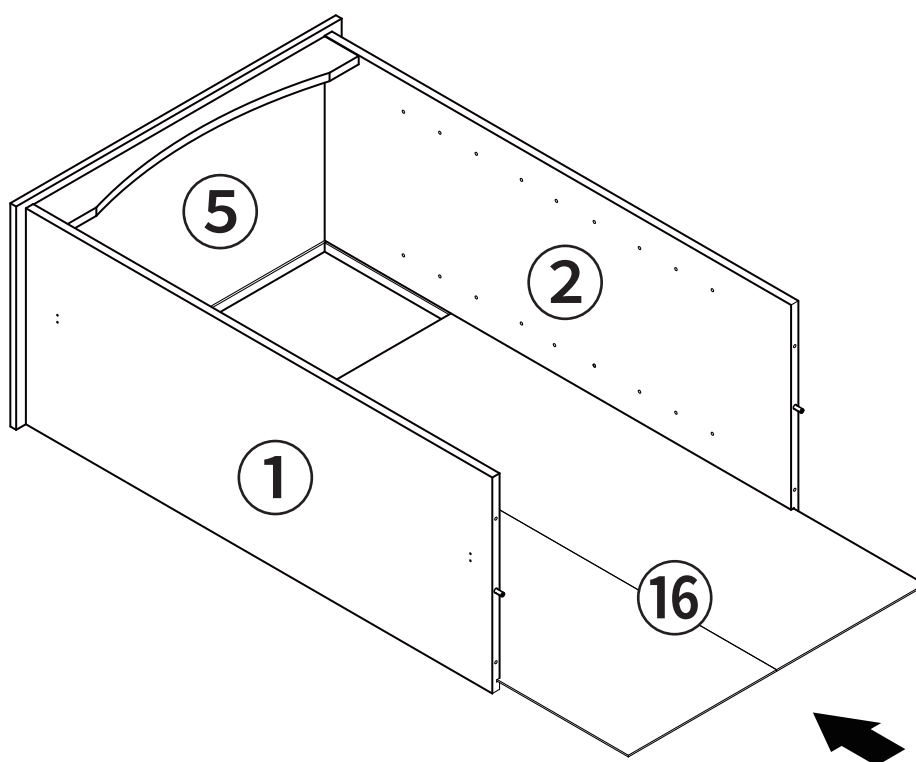
C x 4

D x 2



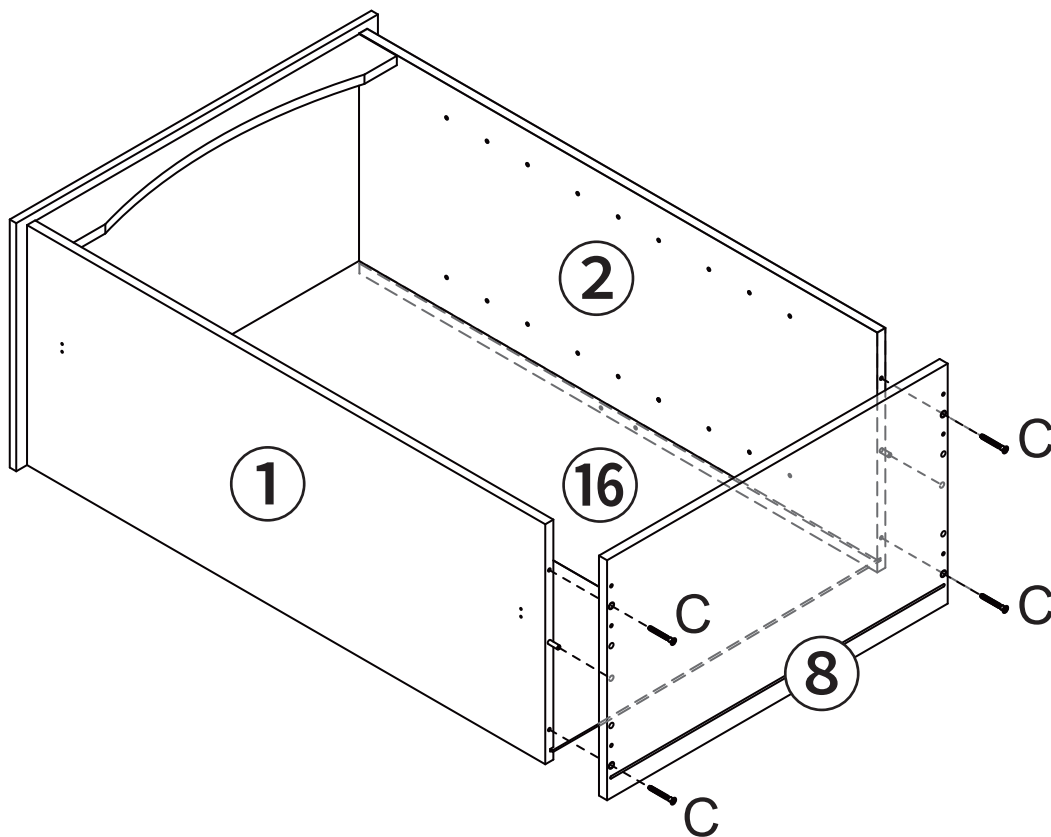
Twist (C) to connect (5) to (1) (2).  
Insert (D) into the holes of (1) (2).

4



Insert (16) into the grooves of (1) (2) (5).

5

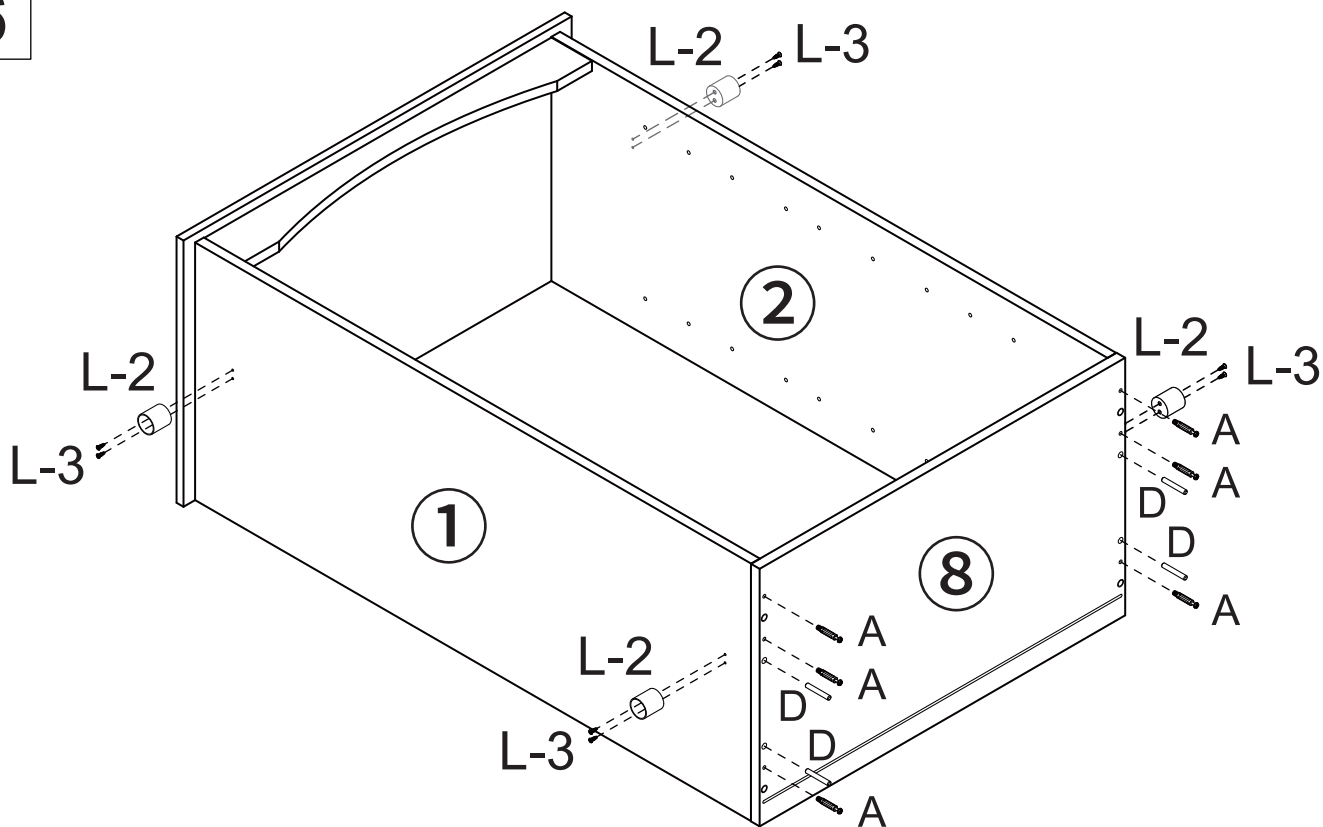


C x 4



Twist (C) to connect (8) to (1) (2).  
Make sure (16) is fitted into the groove of (8).

6



A x 6

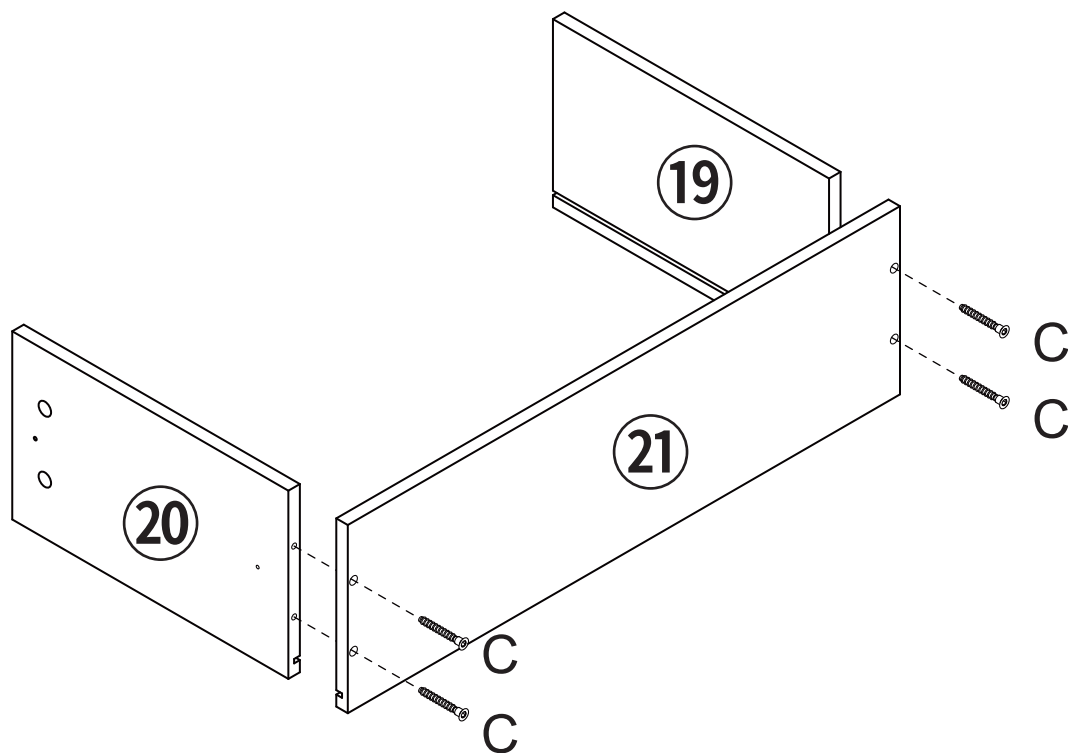
D x 4

L x 4



Twist (A) and insert (D) into the holes of (8).  
Twist (L-3) to fix (L-2) onto (1) (2).

7

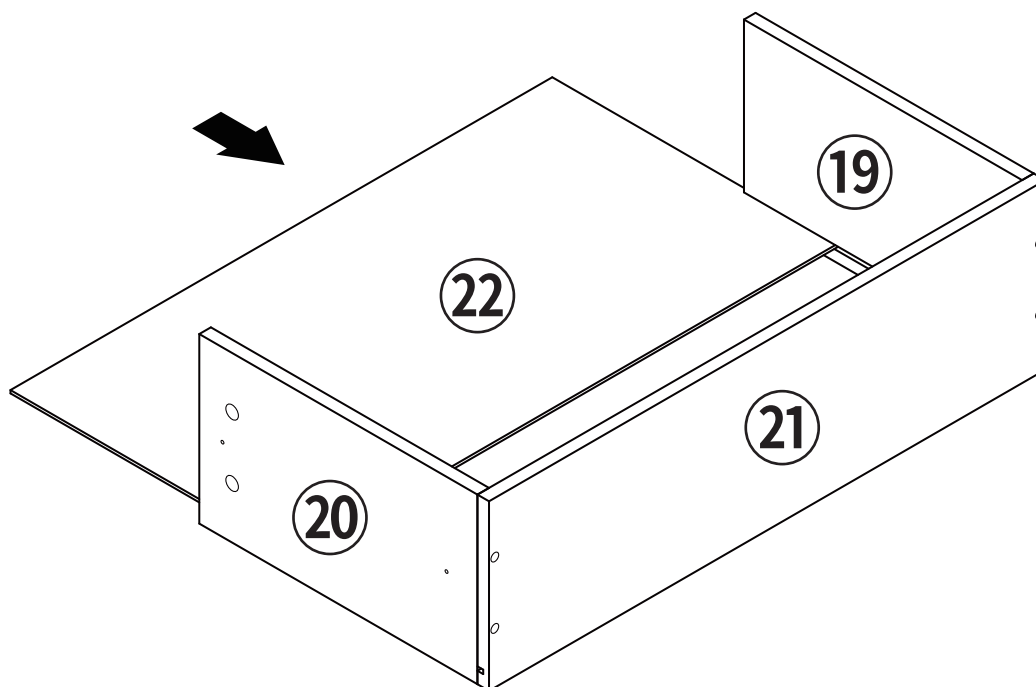


C x 4



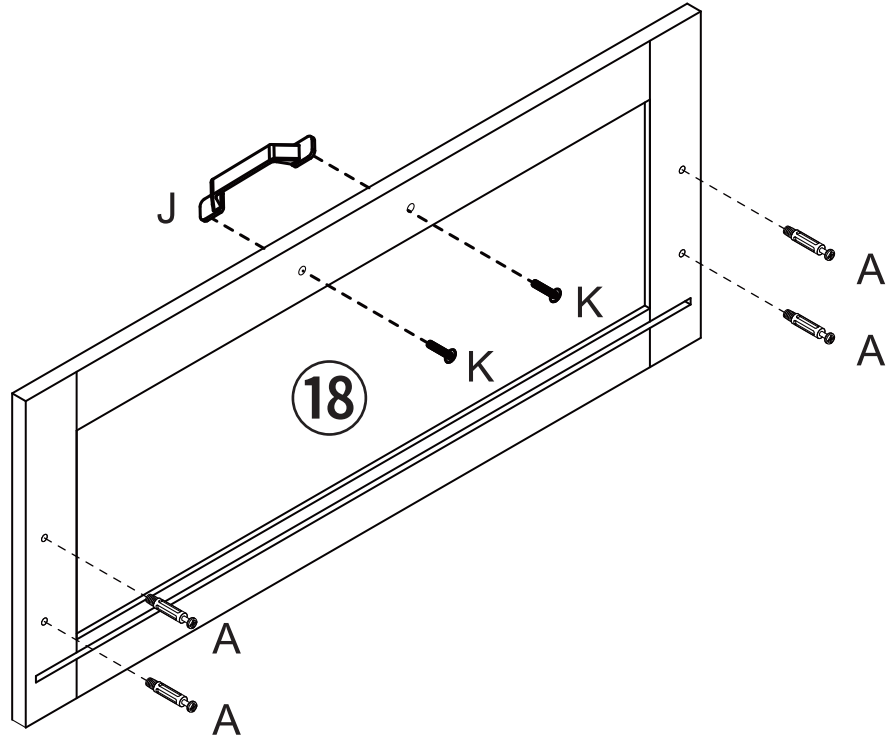
Twist (C) to connect (21) to (19) (20).

8

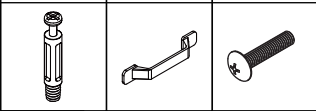


Insert (22) into the grooves of (19) (20) (21).

9

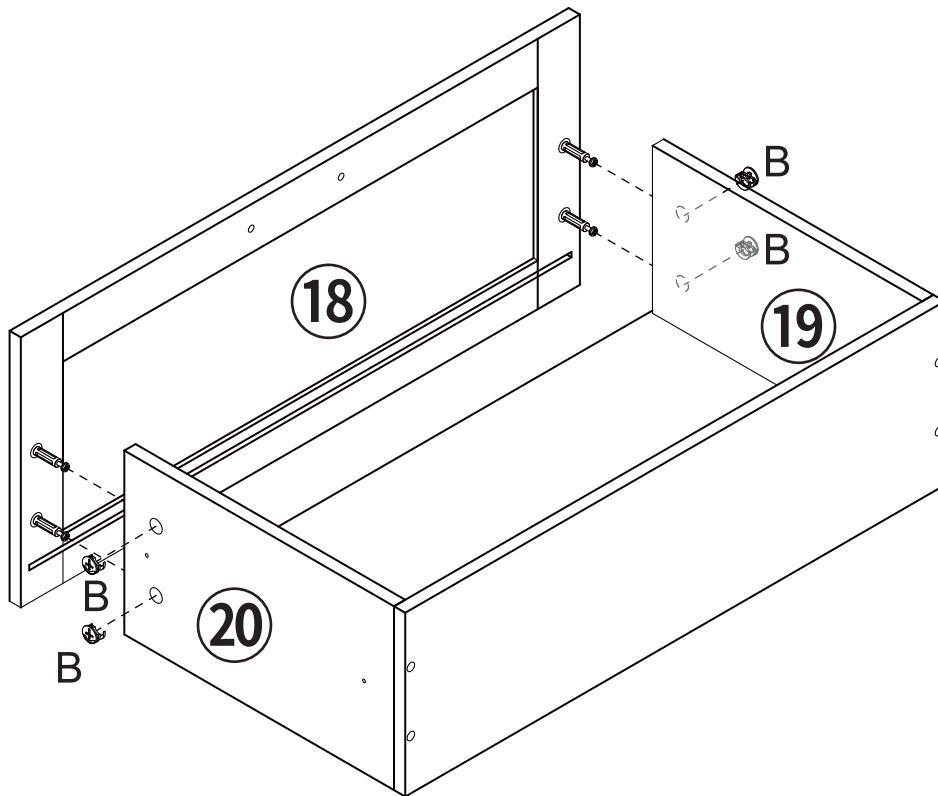


A x 4    J x 1    K x 2



Twist (A) into the holes of (18).  
Twist (K) to fix (J) onto (18).

10

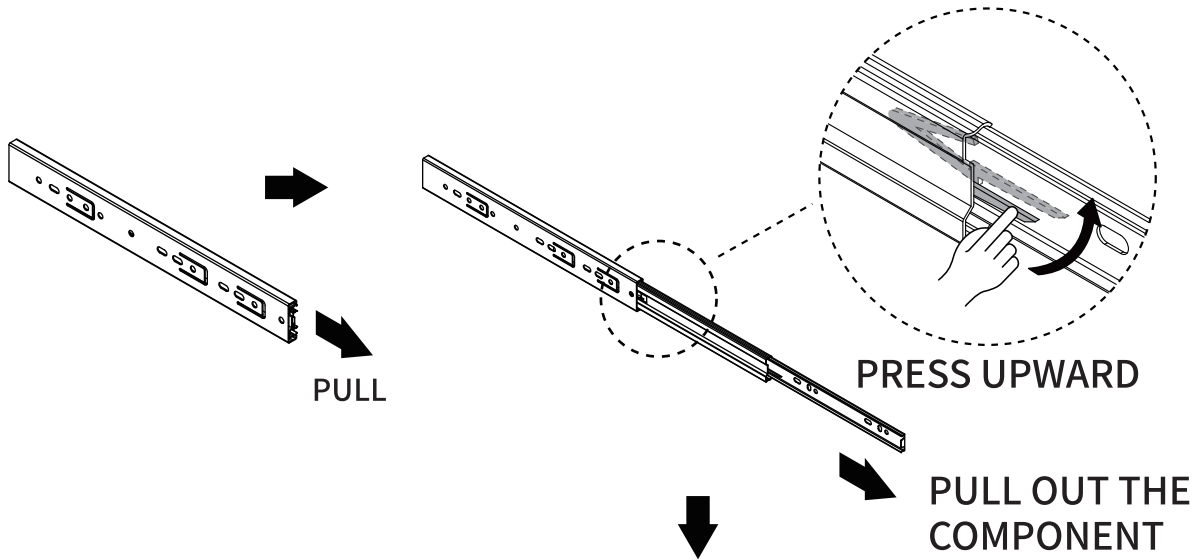


B x 4



Connect (18) with (19) (20), securing with (B).

11



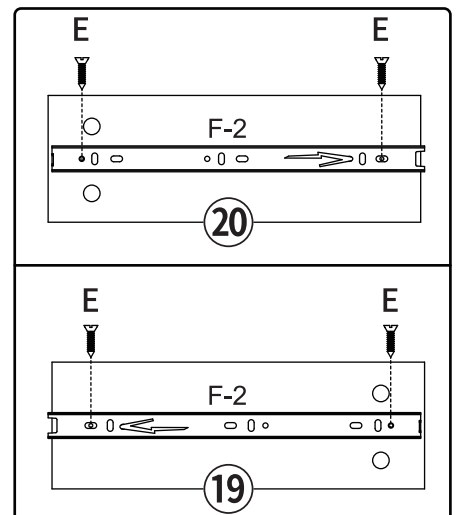
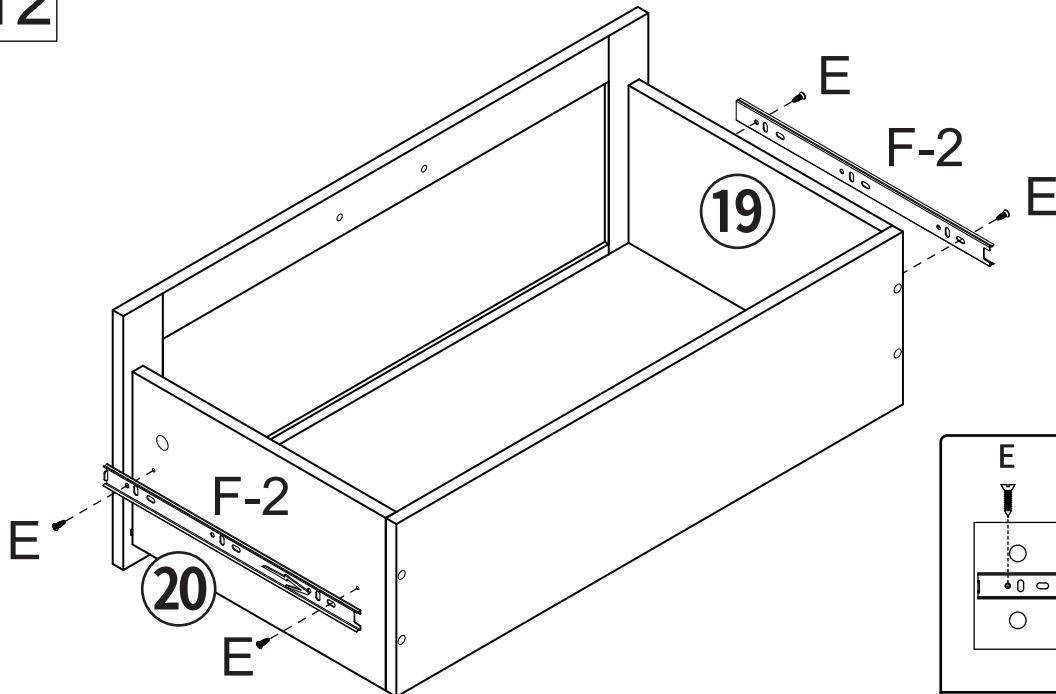
F-1 x2	
F-2 x2	

F x 2



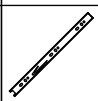
Separate (F) into (F-1) and (F-2).

12



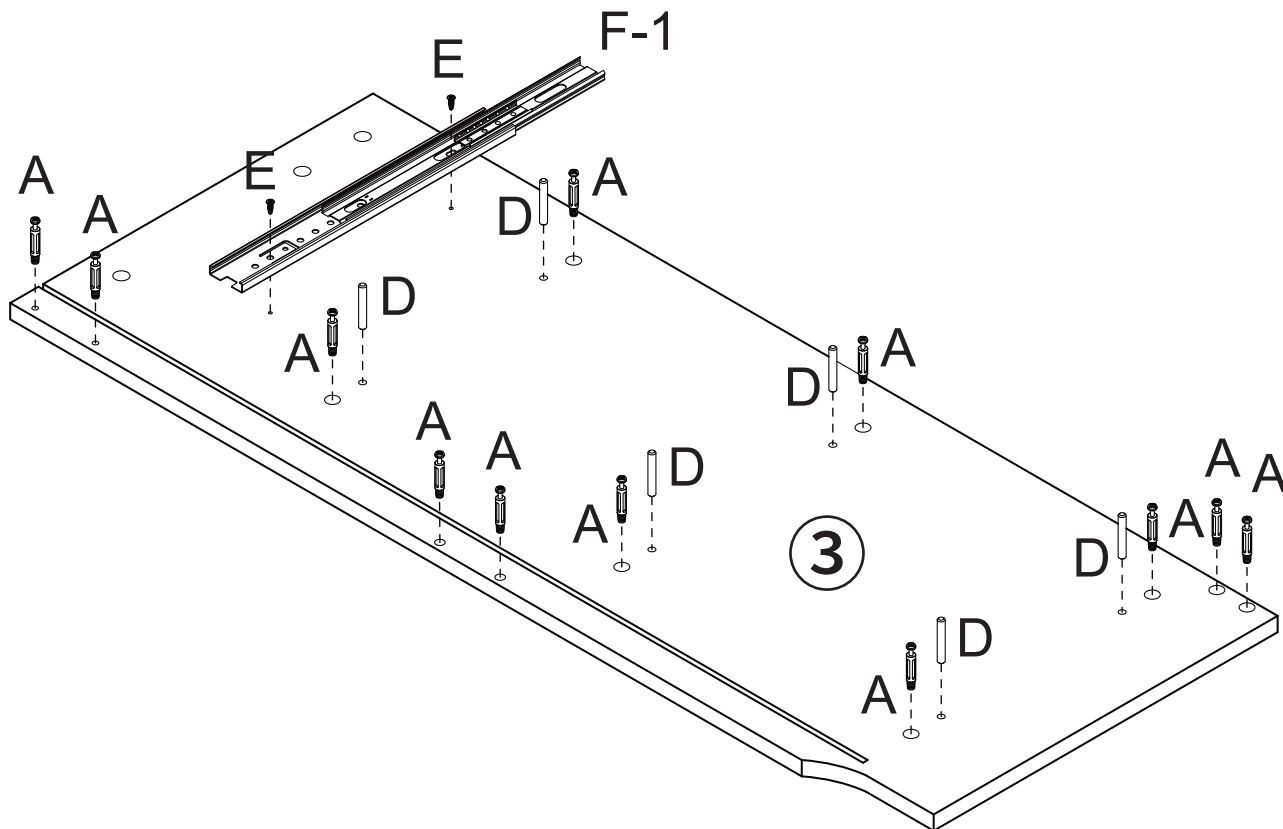
E x 4





F-2 x 2



Twist (E) to connect (F-2) with (19) (20).

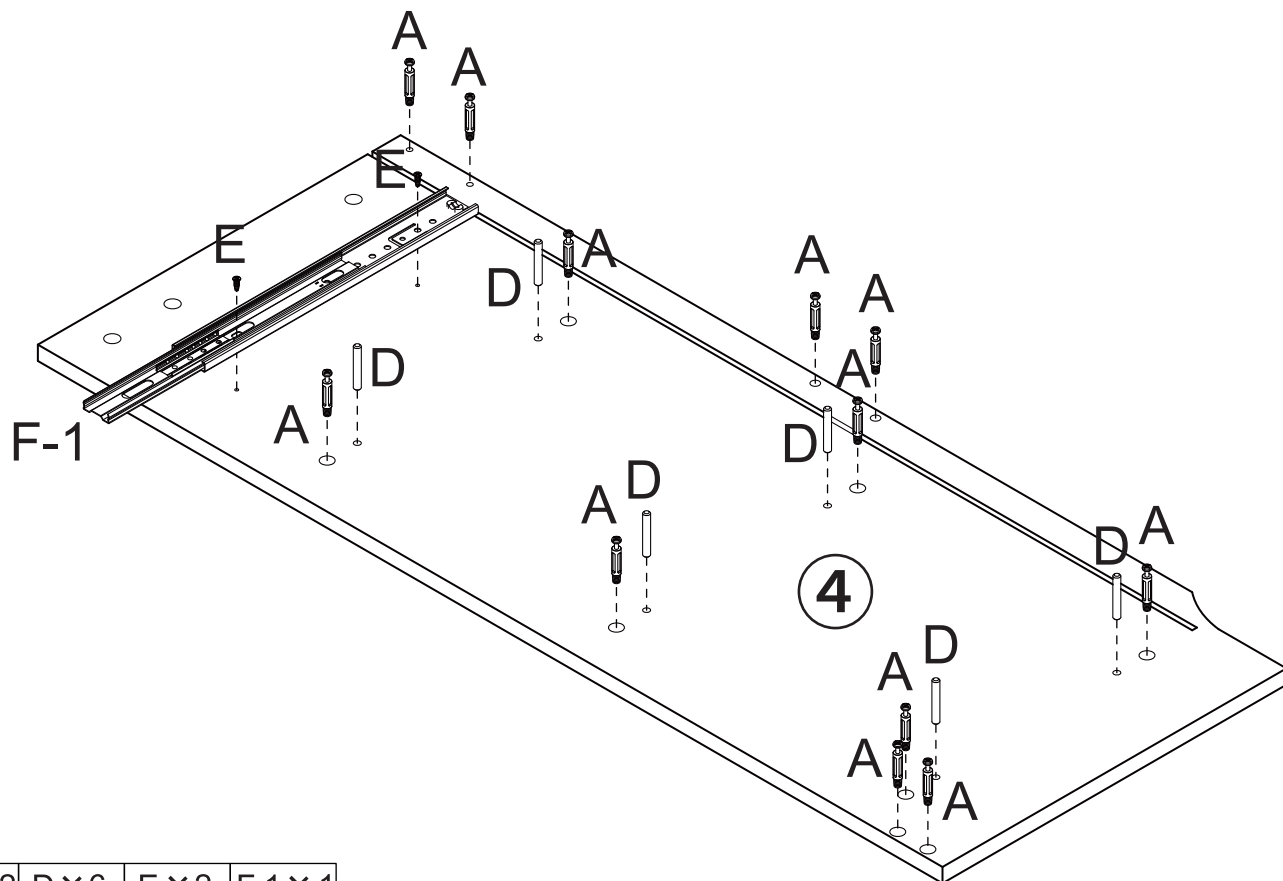
13







A × 12	D × 6	E × 2	F-1 × 1
			

Twist (A) and insert (D) into the holes of (3).  
Twist (E) to fix (F-1) onto (3).

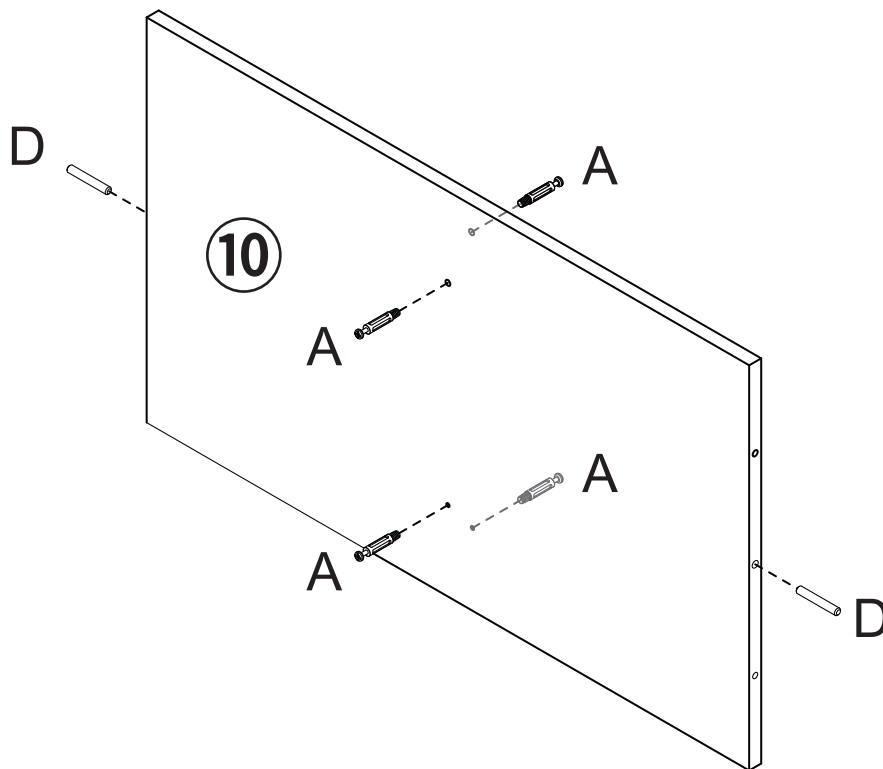
14



A × 12	D × 6	E × 2	F-1 × 1
			

Twist (A) and insert (D) into the holes of (4).  
Twist (E) to fix (F-1) onto (4).

15



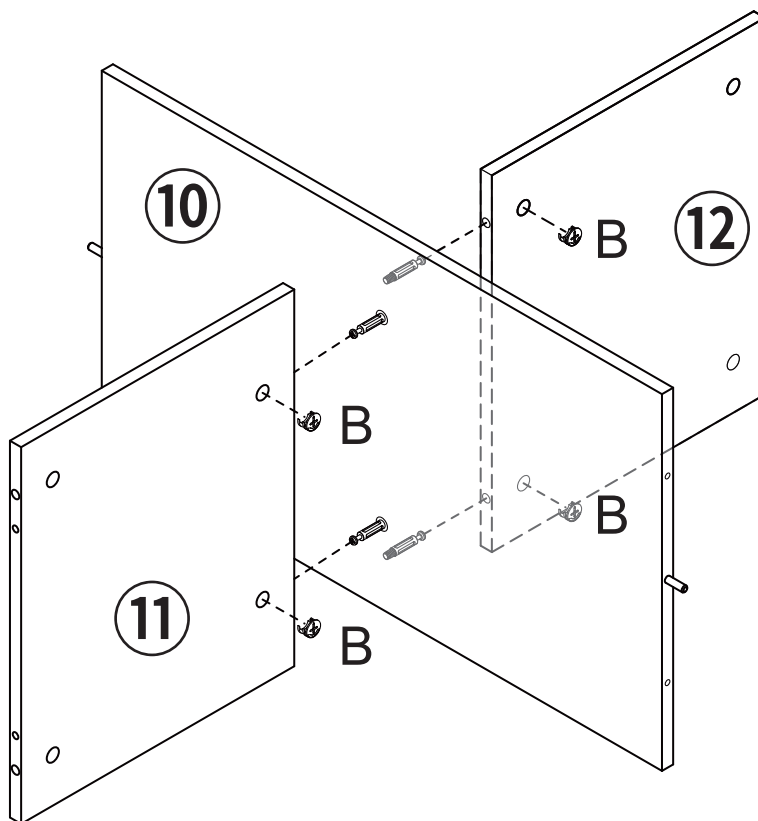
A x 4

D x 2



Twist (A) into the holes on both sides of (10).  
Insert (D) into the holes of (10).

16

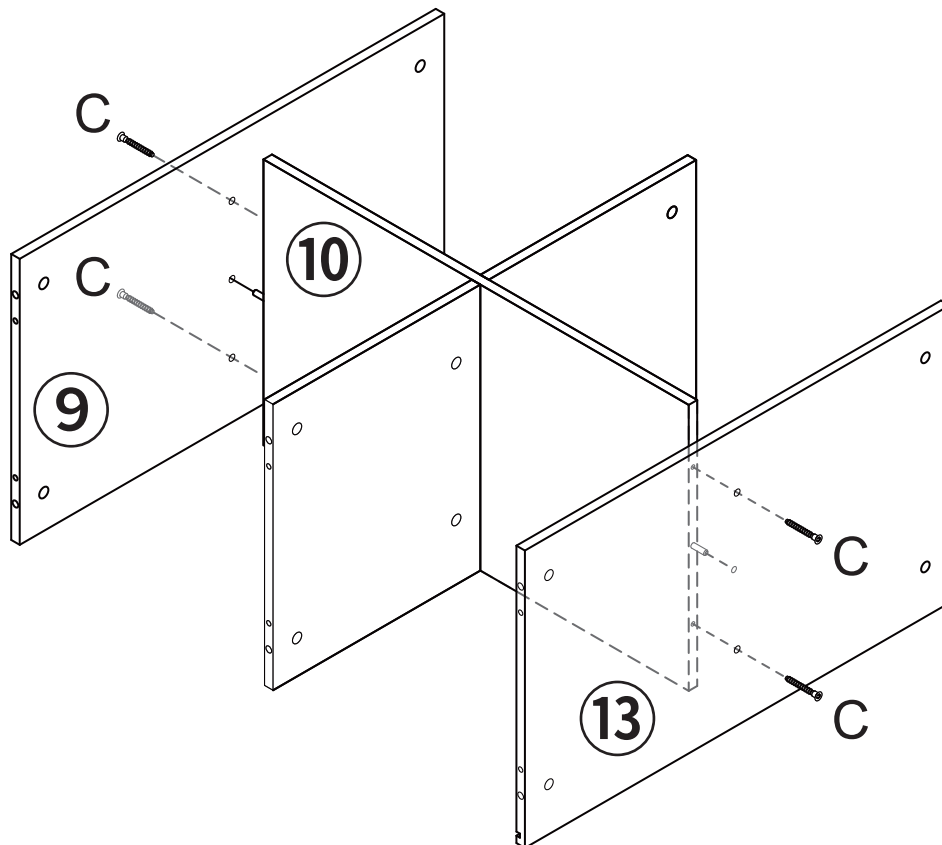


B x 4



Connect (11) (12) with (10), securing with (B).

17

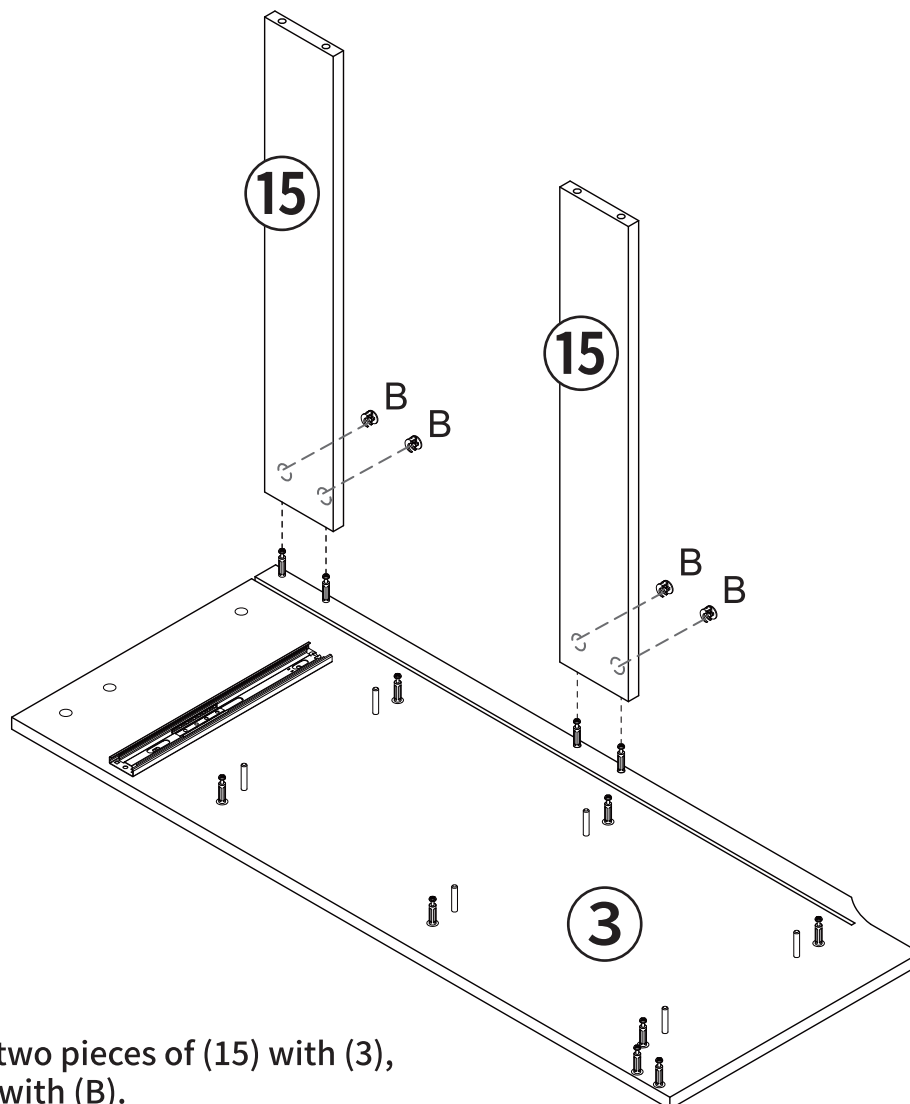


C x 4



Twist (C) to connect (9) (13) with (10).

18

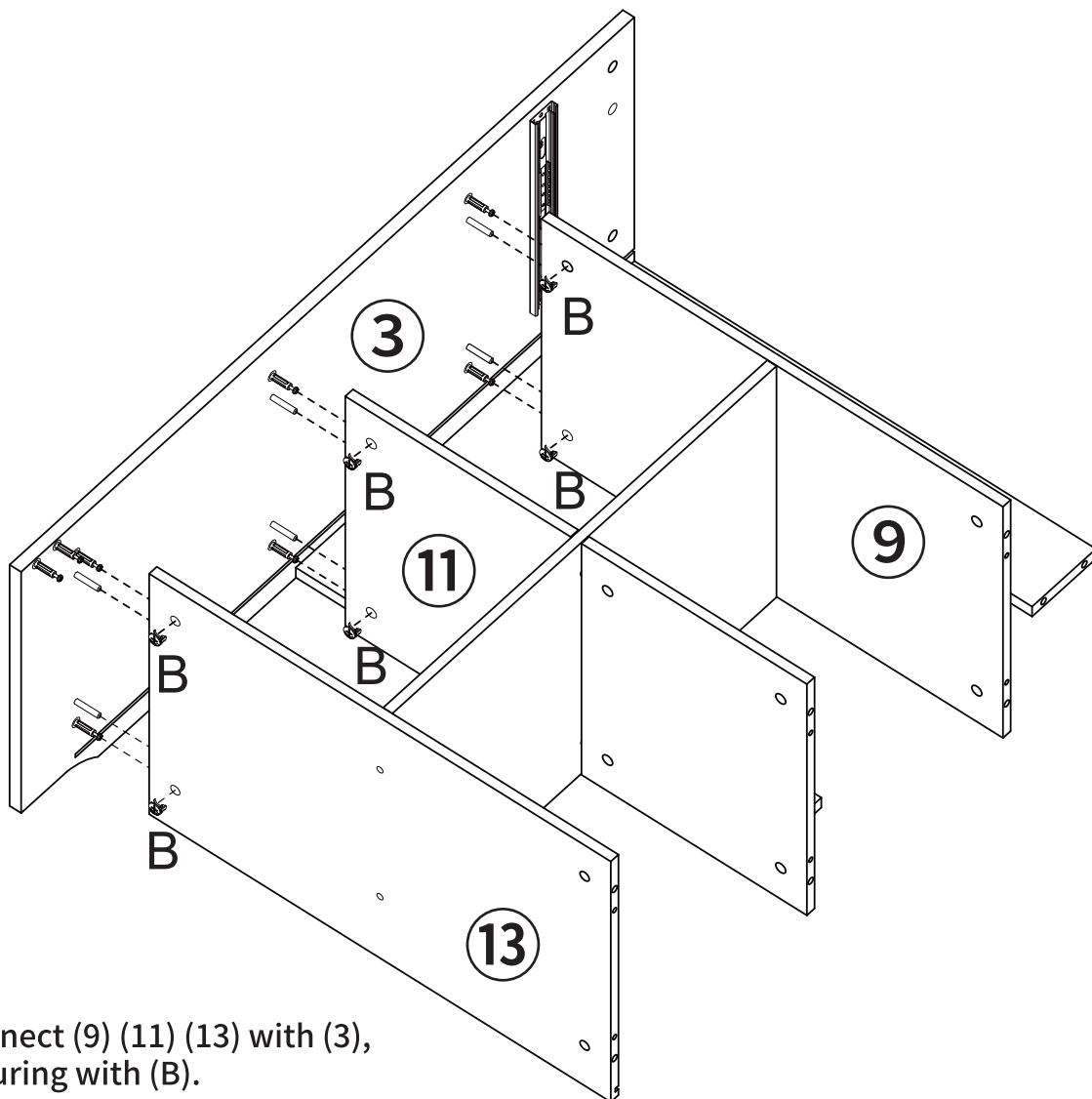


B x 4



Connect two pieces of (15) with (3),  
securing with (B).

19

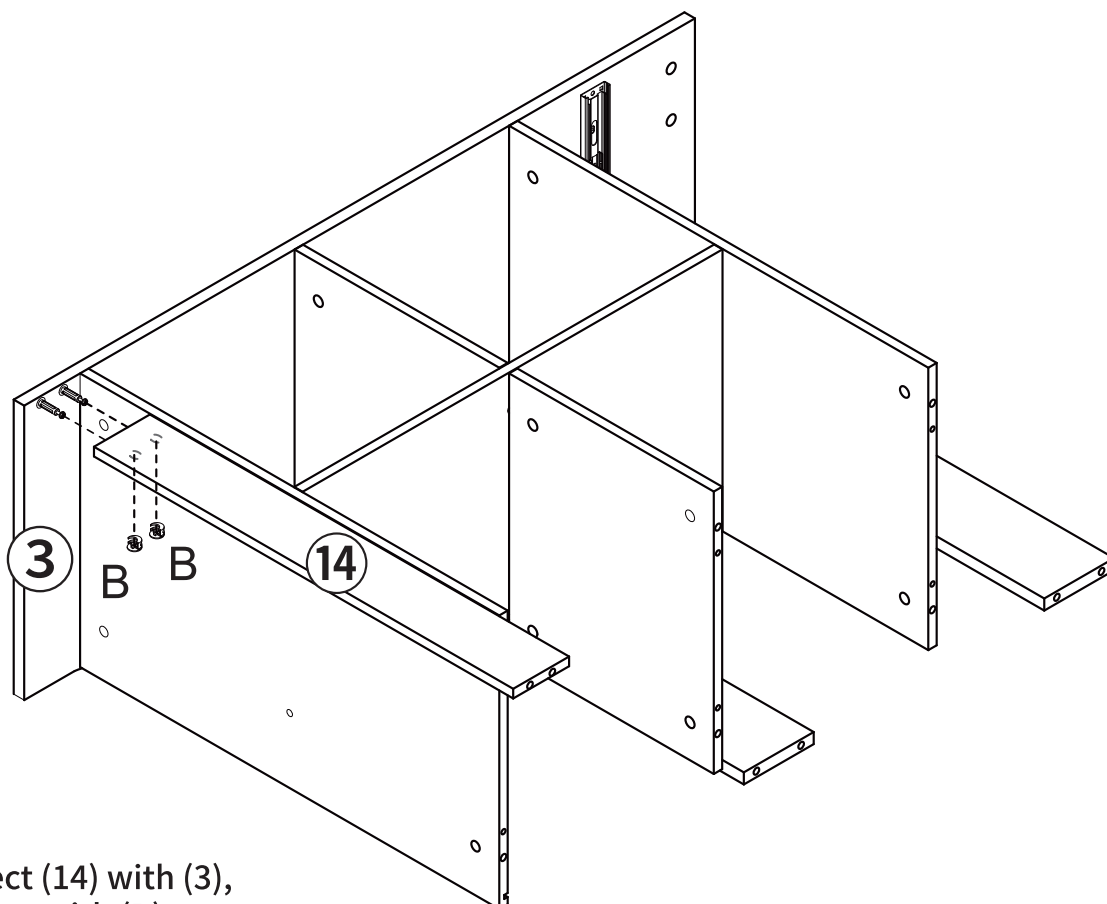


B x 6



Connect (9) (11) (13) with (3),  
securing with (B).

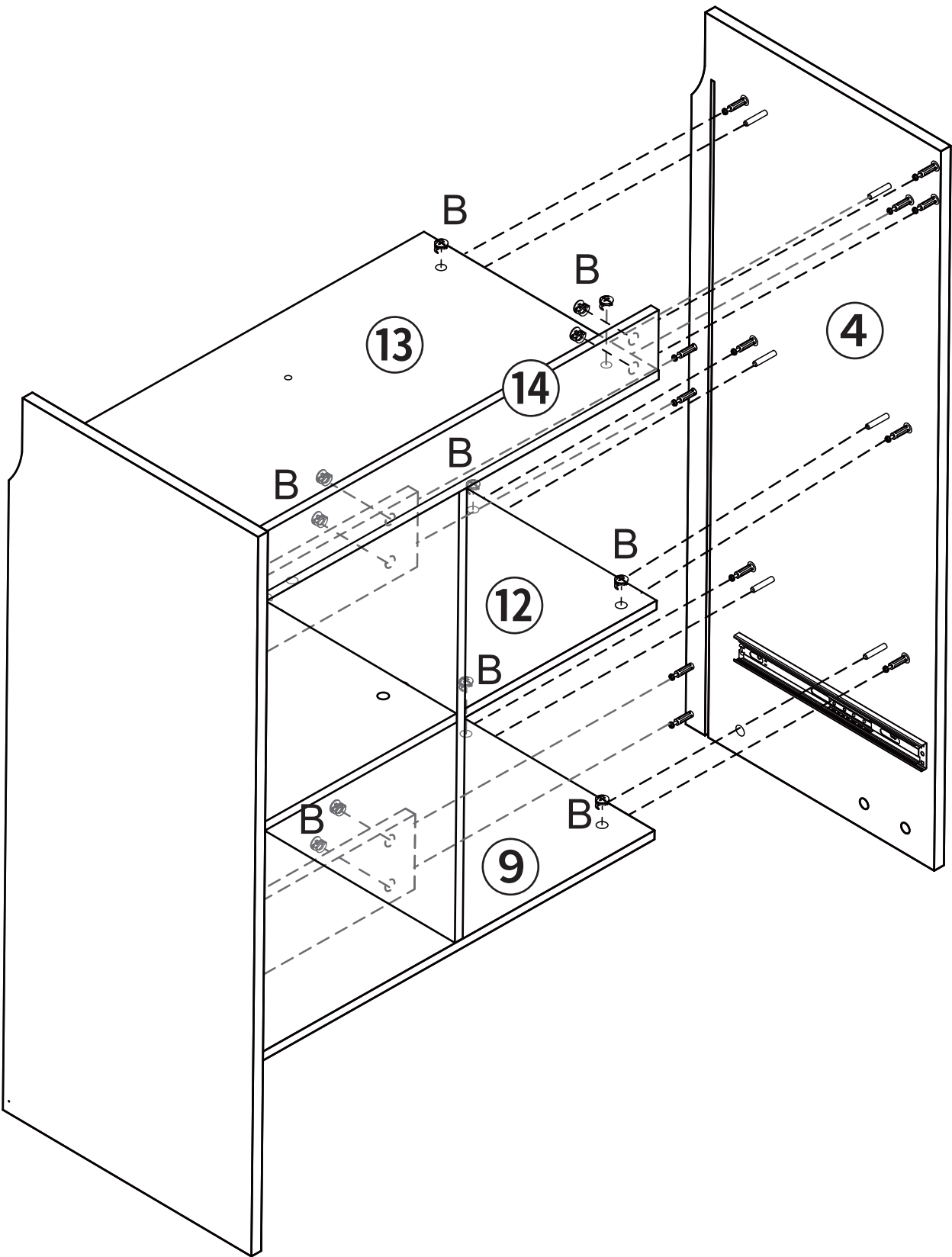
20



B x 2



Connect (14) with (3),  
securing with (B).

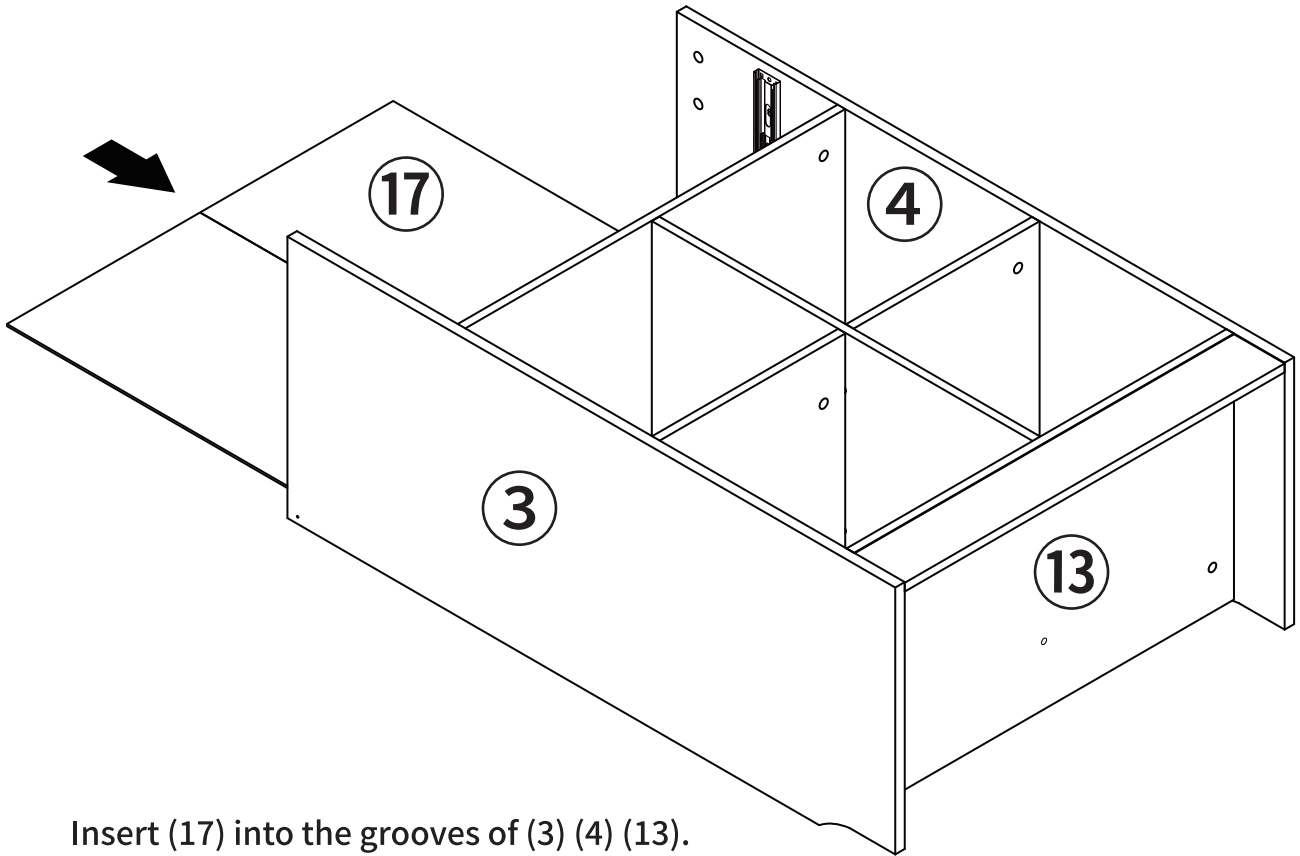


B x 12



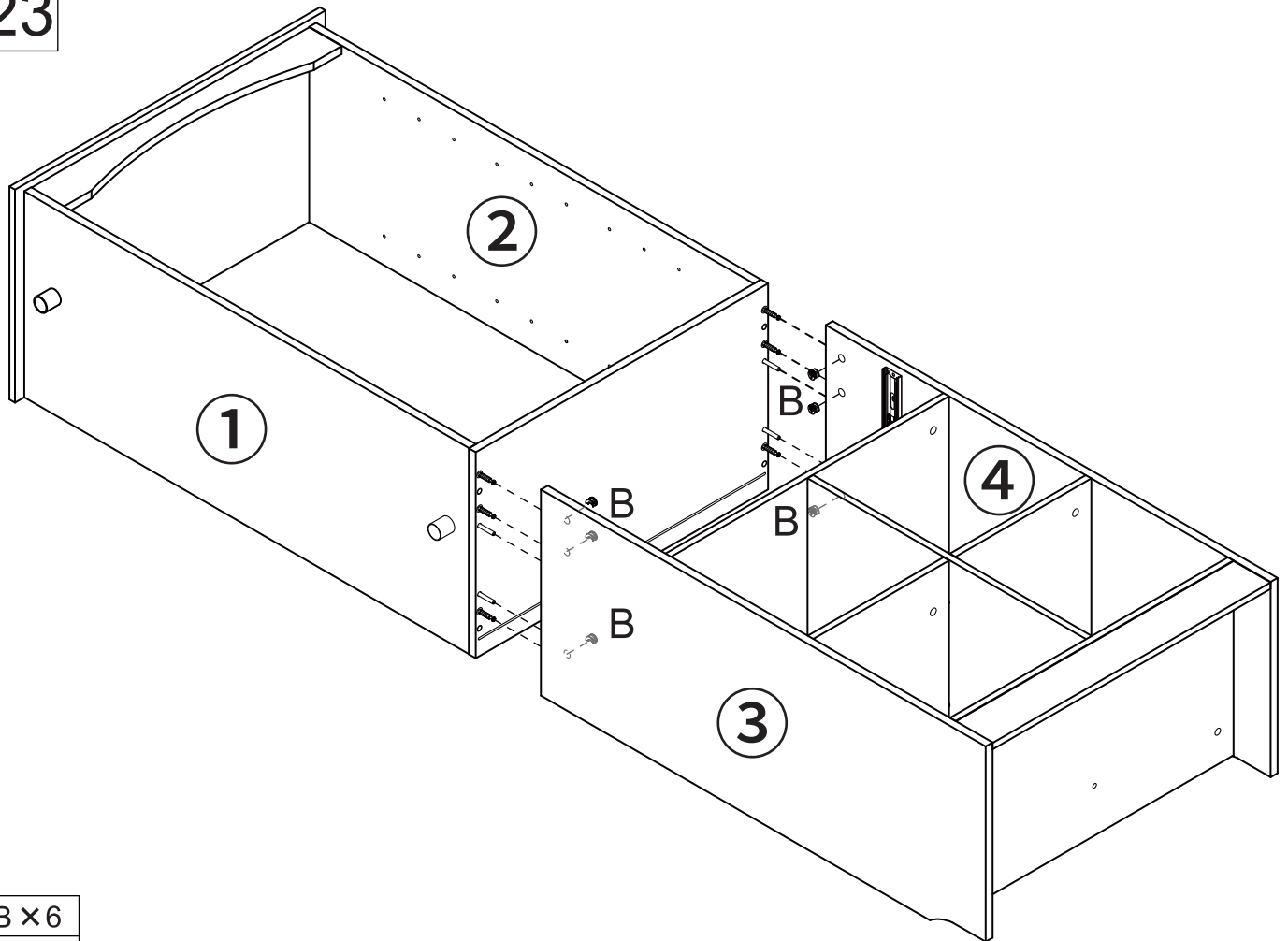
Connect (4) with (9) (12) (13) (14), securing with (B).

22



Insert (17) into the grooves of (3) (4) (13).

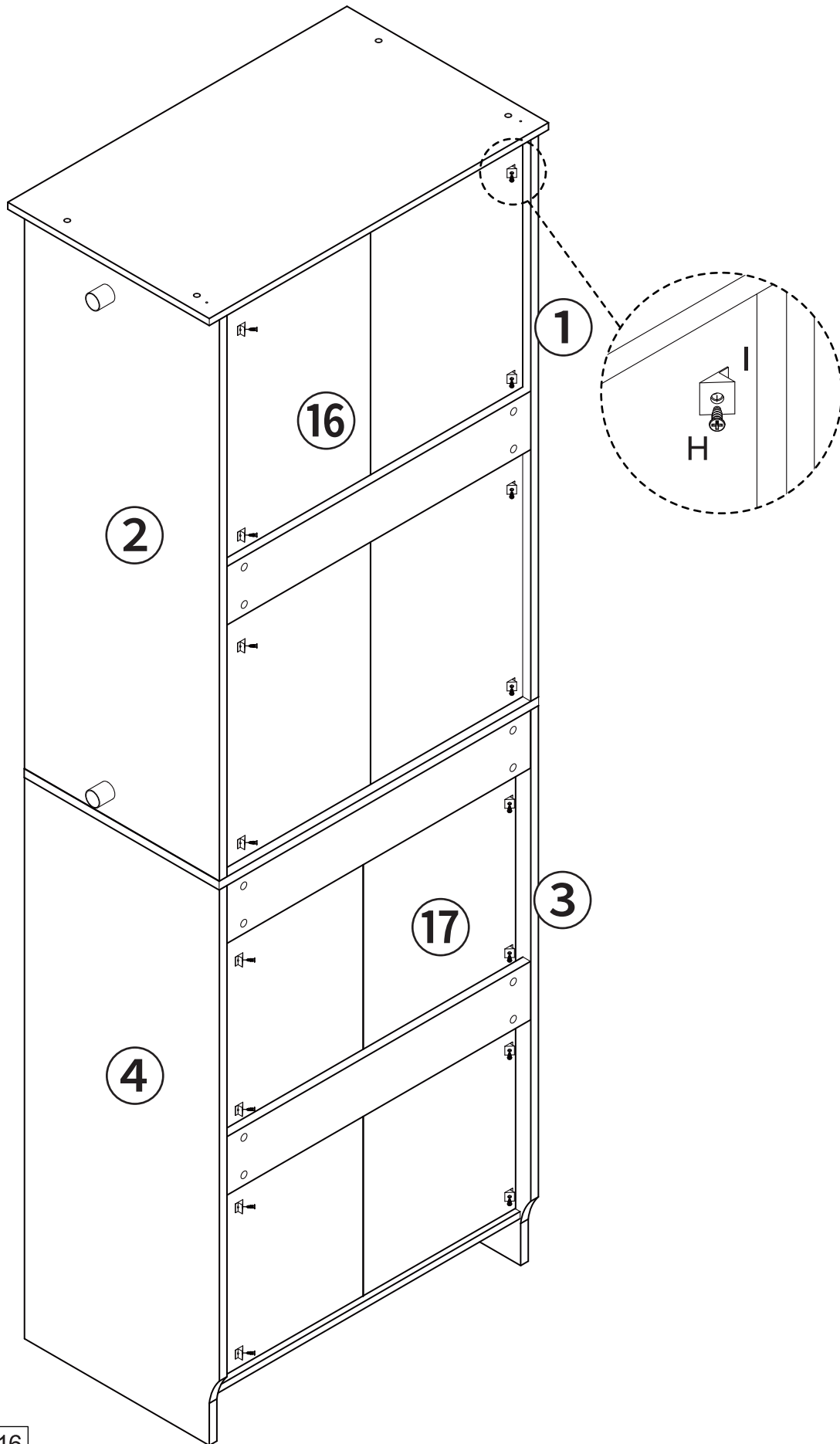
23



B x 6



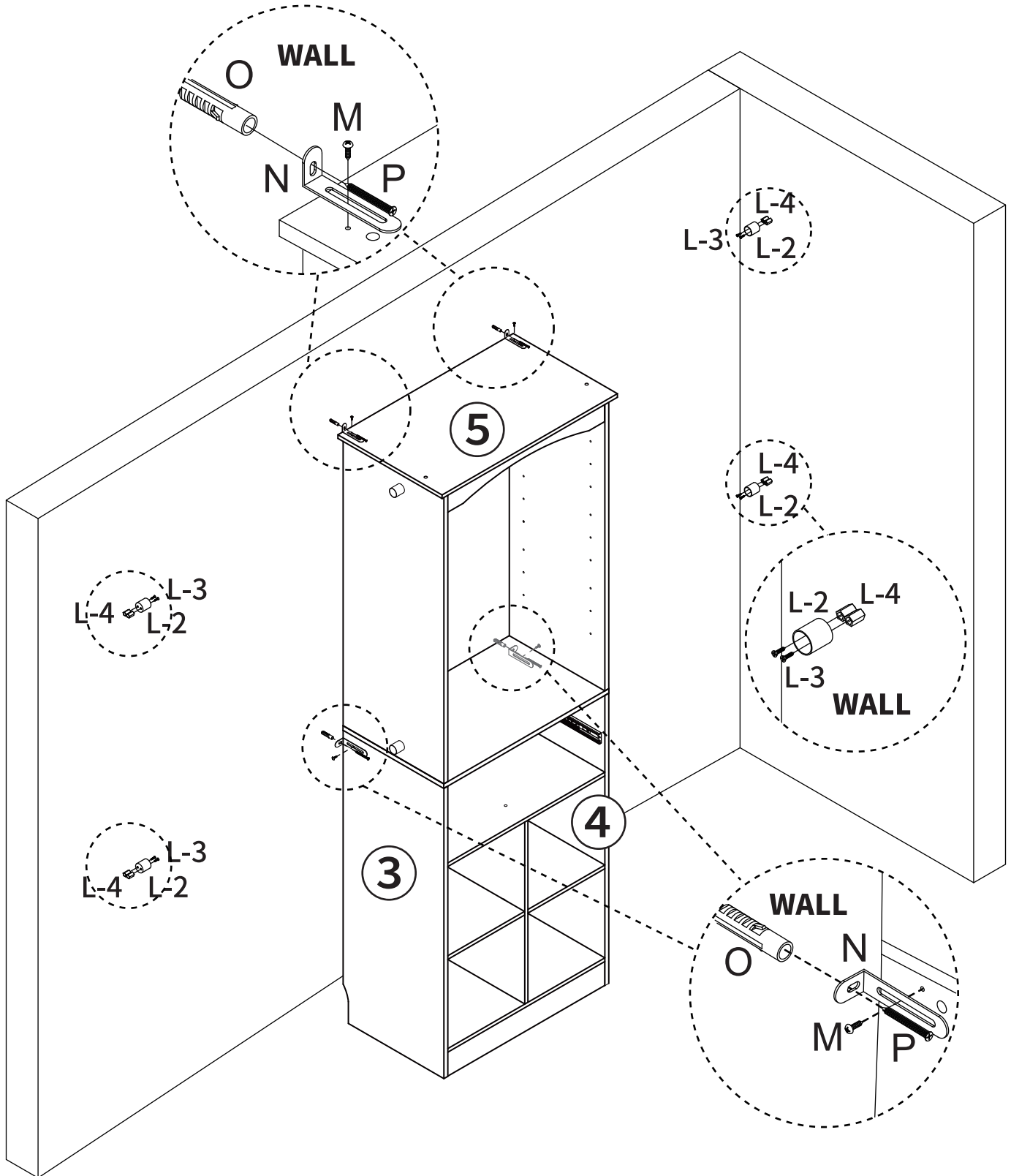
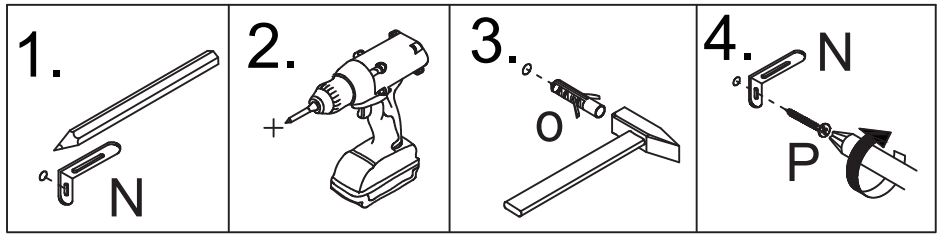
Connect (1) (2) with (3) (4), securing with (B).



H x 16    I x 16

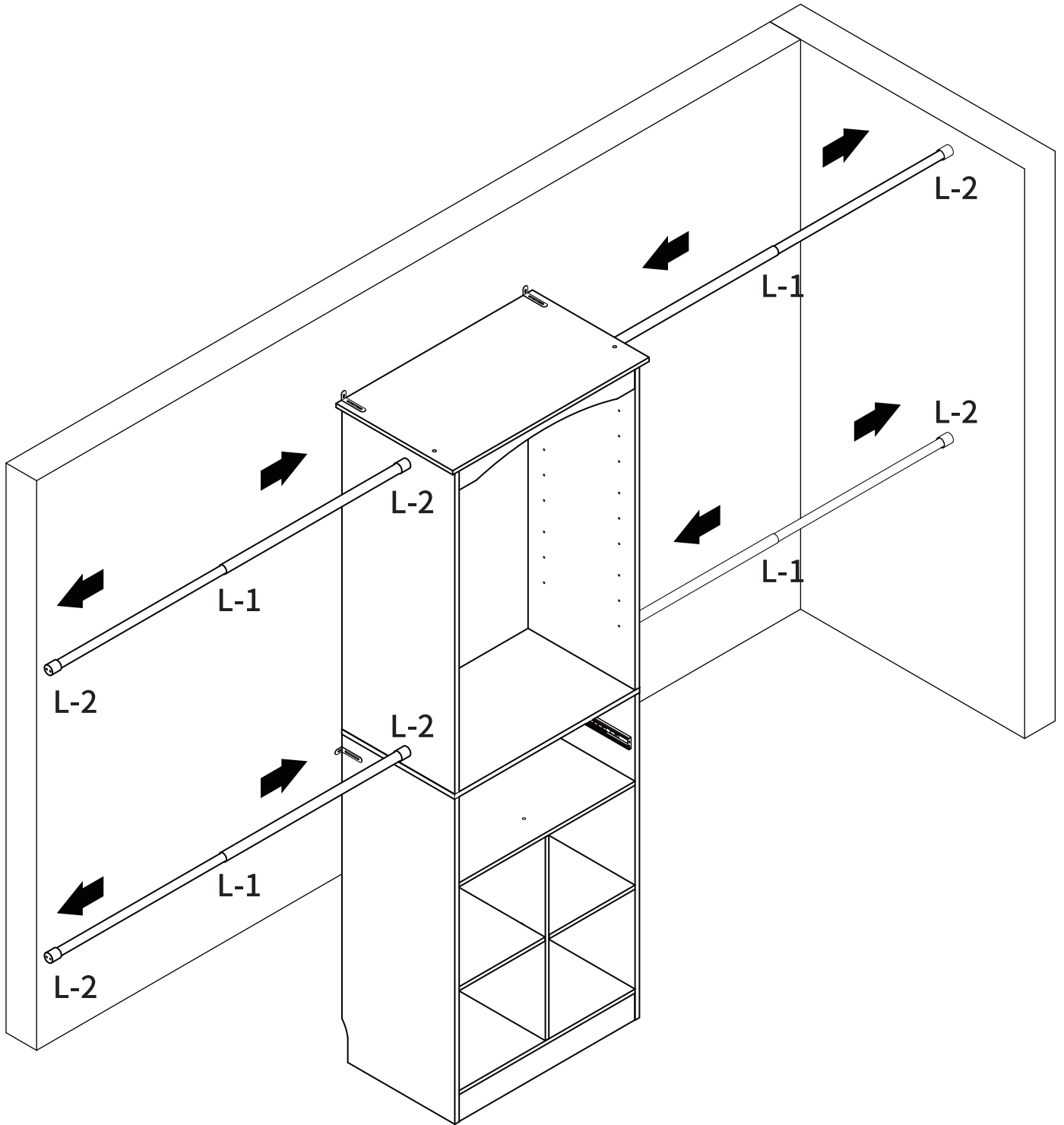


Insert (I) into the back of the cabinet, then secure with (H).

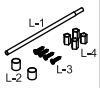


N x 4	O x 4	P x 4	L x 4	M x 4

Twist (M) to fix (N) onto (3) (4) (5).  
 Fix (O) into the wall, then insert (P) through (N) into (O).  
 Fix (L-4) into the wall, then insert (L-3) through (L-2) and fix into (L-4).

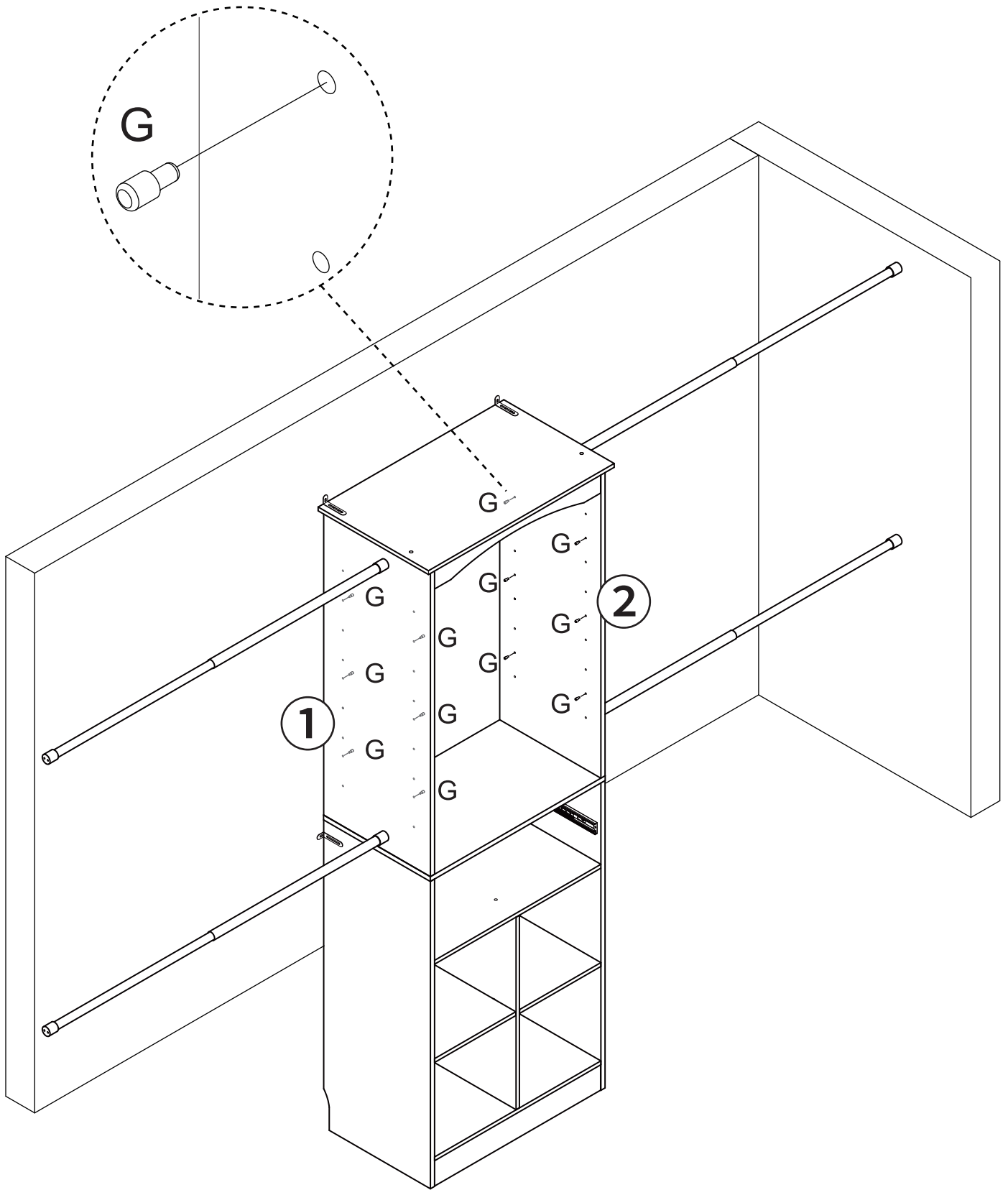


L x 4



Extend (L-1) to a suitable length and insert it into (L-2).

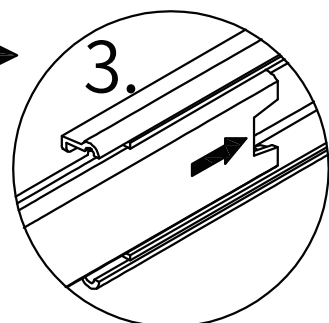
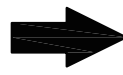
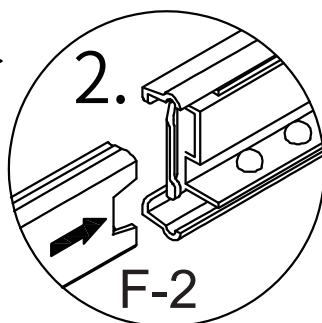
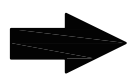
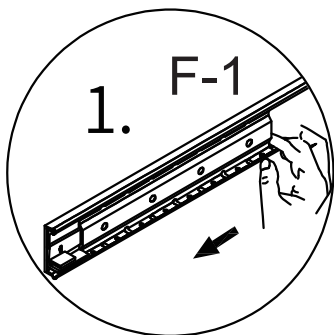
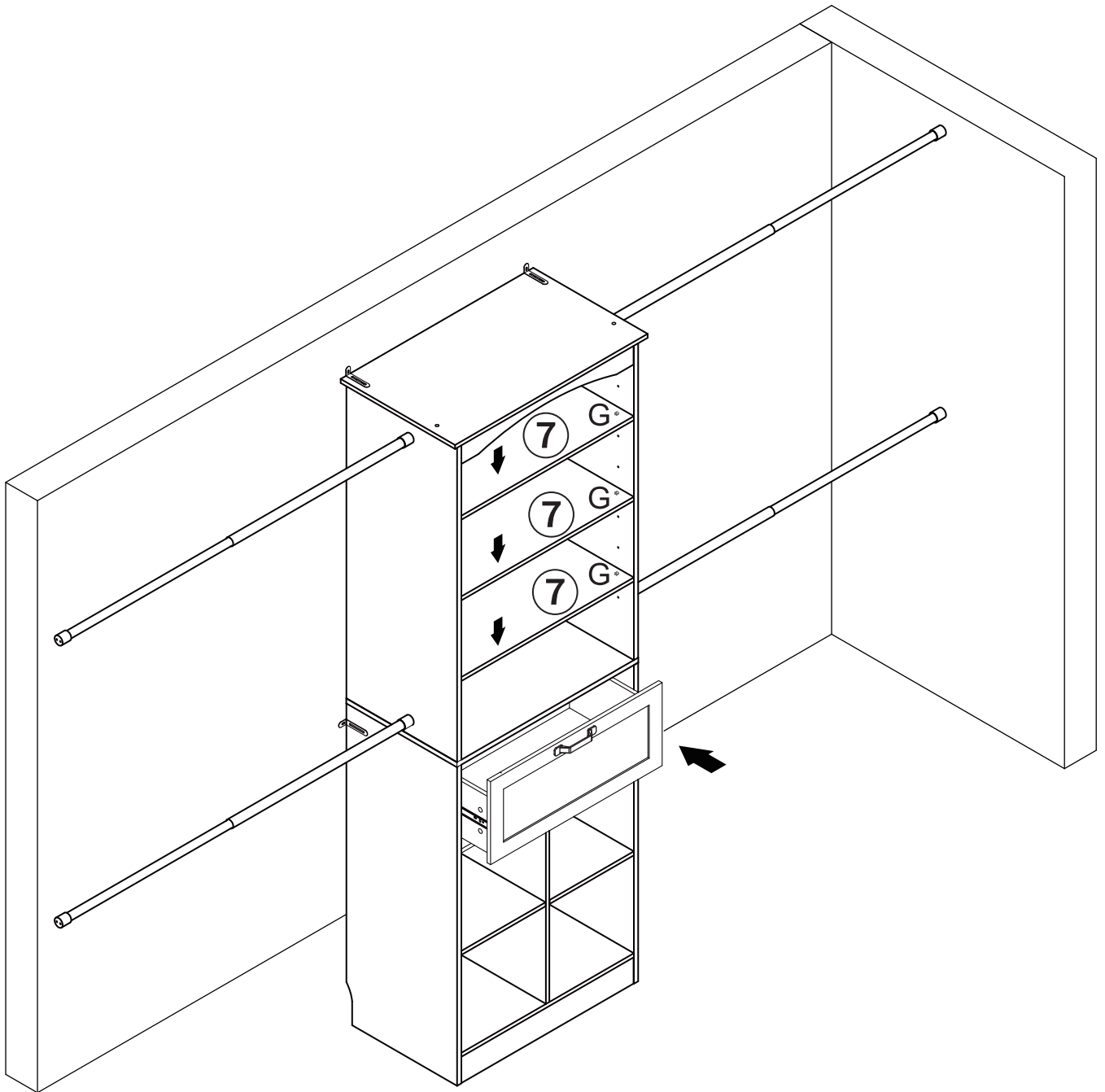
27



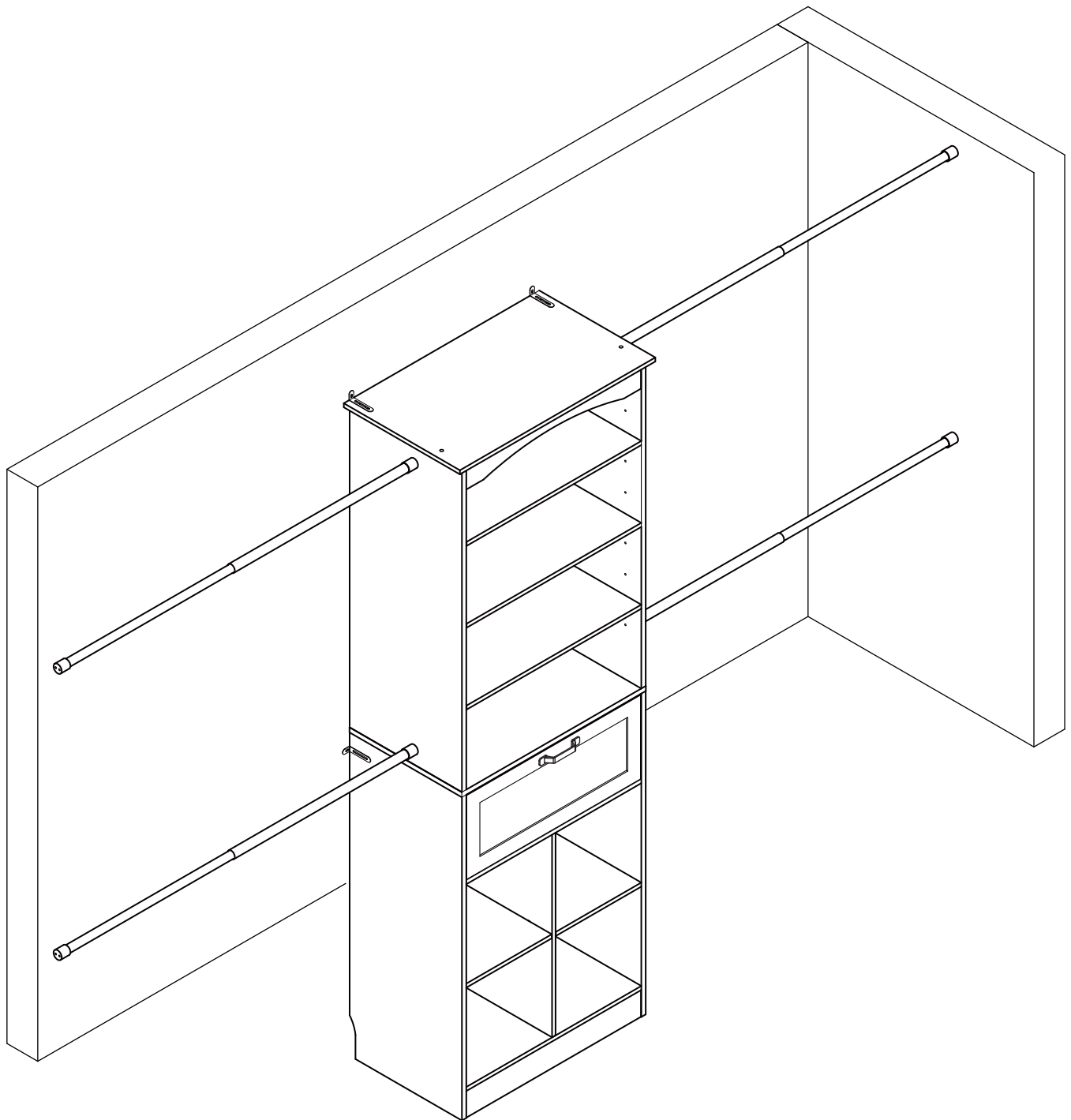
G x 12



Insert (G) into the holes of (1) and (2).



Place the three (7) on (G).  
Adjust (F-1) as displayed, then insert (F-2) into (F-1).



## Done.

The stickers (Q) can be used to cover any exposed (B) holes, providing a cleaner appearance.