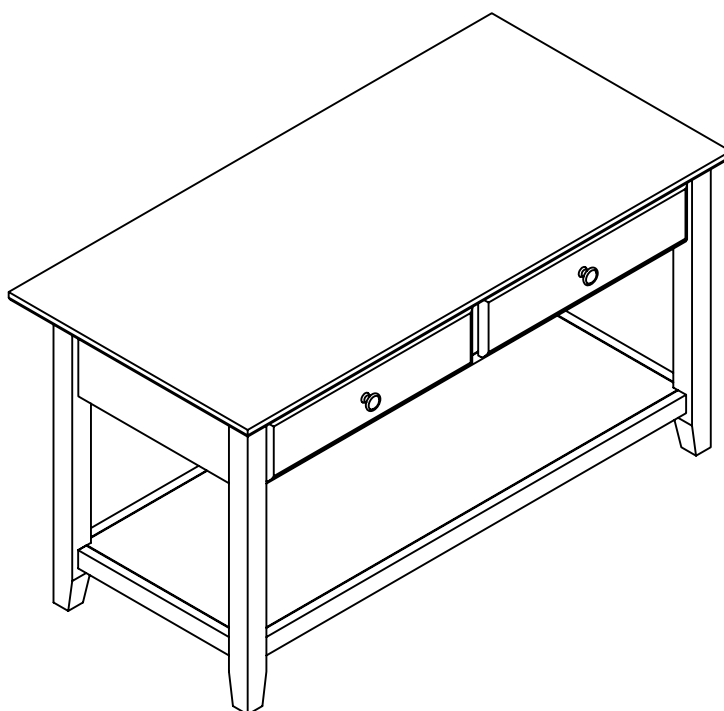


ASSEMBLY INSTRUCTIONS

SOFA TABLE

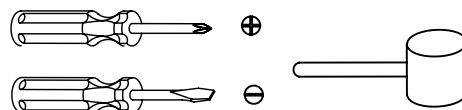


ASSEMBLY REQUIREMENTS

90 MINUTES
Assembly Time
(Approximate)

2-Person
Assembly

Tools Required:
Not Provided



Thank you for purchasing our product!

Please refer and use this assembly instructions to assembly the product

Contact our customer service department in case there are any missing or damage parts or hardware.

We appreciate your business!

ASSEMBLY INSTRUCTIONS

SOFA TABLE

ASSEMBLY PREPARTATION:

1. Remove all packaging materials, staples and packing straps from the carton.
2. Refer to parts list and hardware list and ensure they are complete before you start assembling.
3. Place all wooden parts on a clean, flat and soft surface (e.g. carpet or rug) to prevent parts from getting scratched.

ASSEMBLY PREPARTATION:

1. KEEP ALL HARDWARE PARTS OUT OF REACH OF CHILDREN.
2. DISPOSE PLASTIC PACKAGING MATERIAL IMMEDIATELY TO AVOID ANY RISK OF SUFFOCATION TO CHILDREN AND ANIMALS.

TIPS FOR ASSEMBLY:

1. Allow ample room for assembly and in close proximity to where product will be placed.
2. Assemble the product on a surface that does not scratch or damage the exterior gloss and finish of the furniture.
3. Please check all of the parts and quantities are included before assembly. Contact customer service for missing parts.
4. Identify all of the parts, hardware and quantities required for each step.
5. During assembly, do not over-tighten any fittings as this may cause damage.
6. DO NOT USE POWER TOOLS TO ASSEMBLY THIS PRODUCT.
7. Always place the product on a flat, stable surface.
8. Do not sit or stand on the partially assembled product; only use the product for which it is intended.
9. This product is made of reinforced hollow board. Excessive pressure can cause irreparable damage. Avoid standing or kneeling on any parts of the product during assembly.

CARE AND MAINTENANCE:

- Use a slightly damp cloth to the product. Do not use bleach or abrasive cleaning material
- Check all the fittings periodically and re-tighten as necessary. Do not use the product if any of the parts is damaged or broken.
- Never allow any kind of liquid to remain on your furniture. Absorption can cause wood to warp or delaminate.
- Do not place hot items (e.g. hot drinks) directly onto the wood surface.
- Do not drag and pull your furniture.

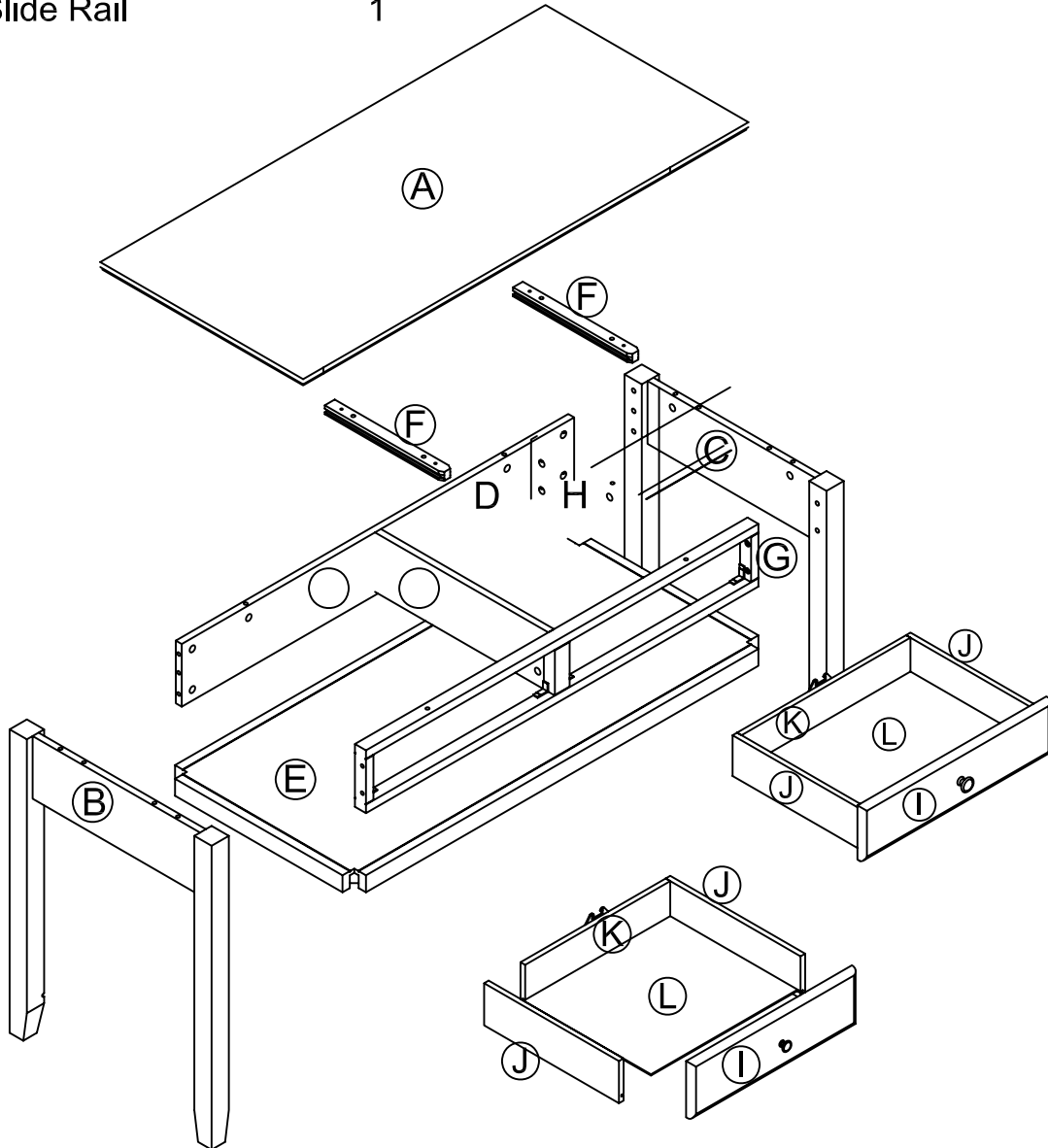
This product is for indoor and household use only - not for commercial or industrial use.

ASSEMBLY INSTRUCTIONS

SOFA TABLE

PARTS LIST AND ASSEMBLY OVERVIEW

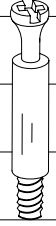


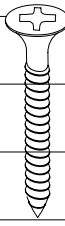
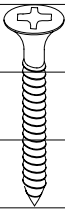
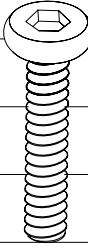
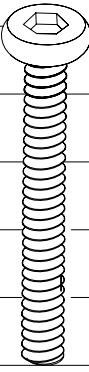
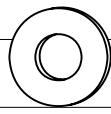
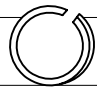
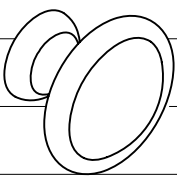
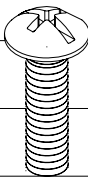

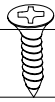
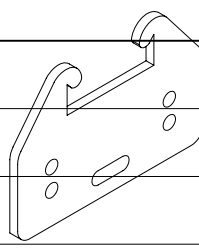
NO. PART NAME	QTY	NO. PART NAME	QTY
(A) Top Panel	1	(H) Center Panel	1
(B) Left Side Panel	1	(I) Drawer Front Panel	2
(C) Right Side Panel	1	(J) Drawer Side Panel	4
(D) Back Panel	1	(K) Drawer Back Panel	2
(E) Bottom Panel	1	(L) Drawer Bottom Panel	2
(F) Slide Rail	1		



ASSEMBLY INSTRUCTIONS

SOFA TABLE

HARDWARE LIST

 15X $\phi 6 \times 35\text{mm}$ 1 Cam-bolt	 12X $\phi 8 \times 30\text{mm}$ 2 Wood Dowel	 15X $\phi 15 \times 12\text{mm}$ 3 Cam-lock	 4X $\phi 4 \times 35\text{mm}$ 4 Screw	 16X $\phi 3 \times 30\text{mm}$ 5 Screw	3CM 2CM 1CM 0CM
 6X $\phi 6 \times 38\text{mm}$ 6 Bolt	 4X $\phi 6 \times 57\text{mm}$ 7 Bolt	 4X $\phi 6\text{mm}$ 8 Flat Washer	 4X $\phi 6\text{mm}$ 9 Spring Washer	 2X 10 Knob	5CM 4CM 3CM 2CM 1CM 0CM
 2X $\phi 4 \times 25\text{mm}$ 11 Round head bolt	 1X $\phi 4\text{mm}$ 12 Allen Wrench	 6X $\phi 3 \times 12\text{mm}$ 13 Screw	 2X $L60 \times 41\text{mm}$ 14 Drawer Hanger		3CM 2CM 1CM 0CM

Instructions For Fastening CAM-BOLT and CAM-LOCK



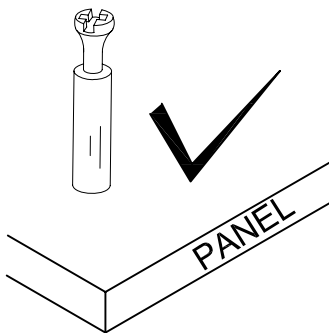
CAM-BOLT



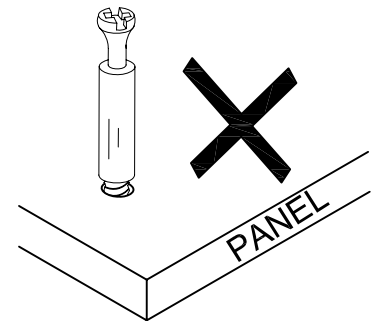
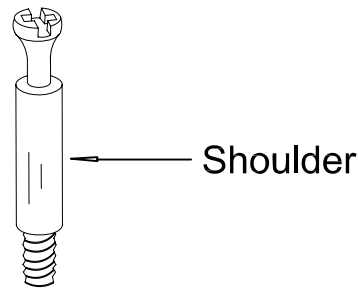
CAM-LOCK

CAM-BOLT

Insert Cam-bolt into the pre-drilled hole. use a Phillips Screwdriver to tighten until shoulder is flush and flush with the panel. see illustrations below



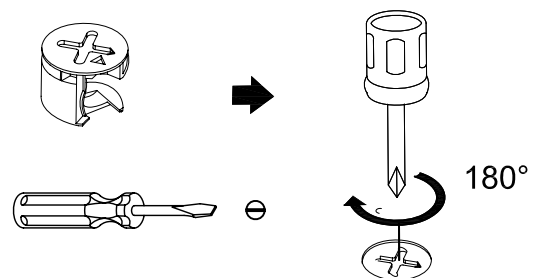
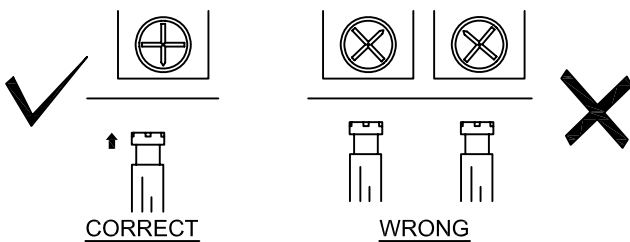
Shoulder is flush (on the same level) with the panel.



Shoulder is above the panel

CAM-BOLT

Align the arrow of the Cam-lock to the Cam-bolt head and insert the Cam-lock.

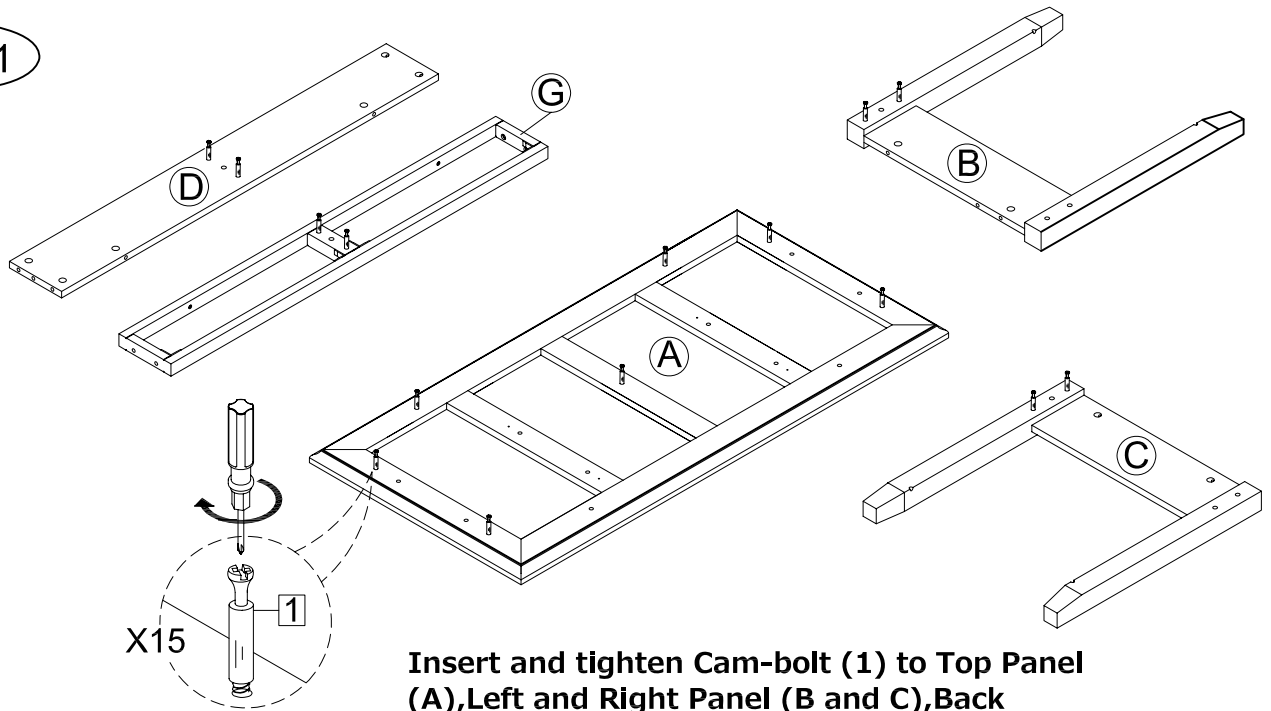


Use a Flat-head Screwdriver to turn the Cam-lock clockwise one half a turn so it lock onto the head of the Cam-lock. Turn only until it is snug -- over-tightening could damage Cam-lock or/and Cam-bolt

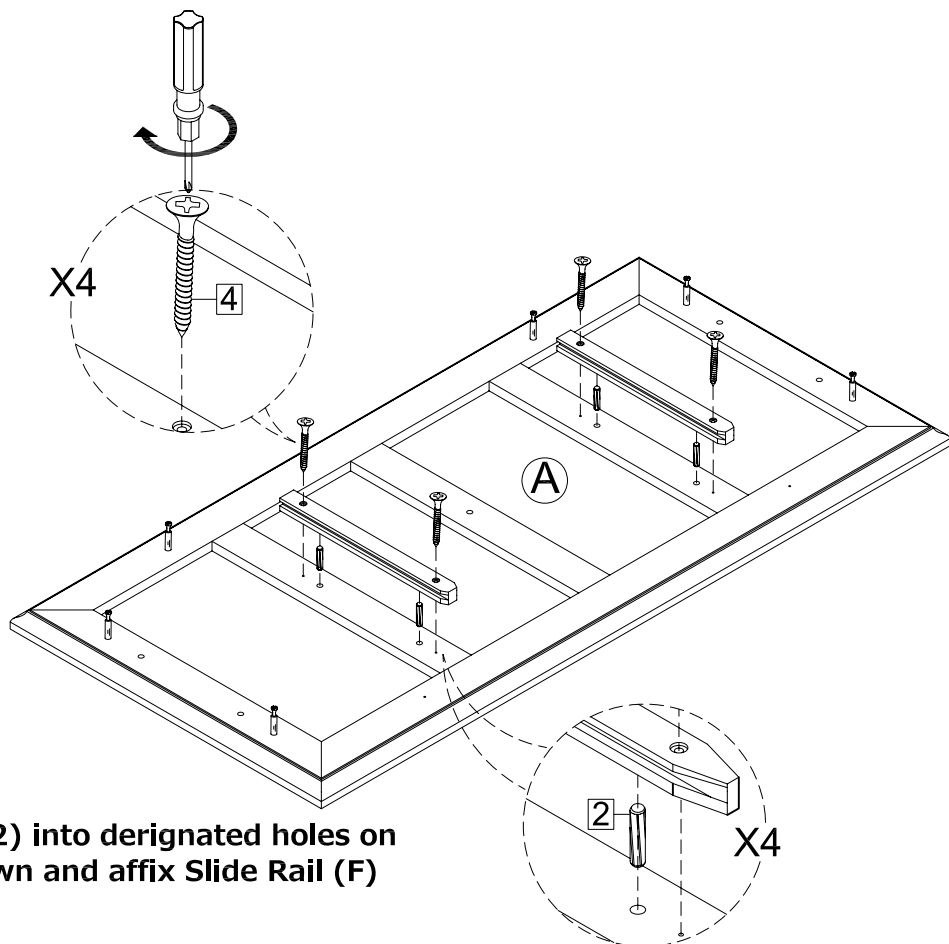
ASSEMBLY INSTRUCTIONS

SOFA TABLE

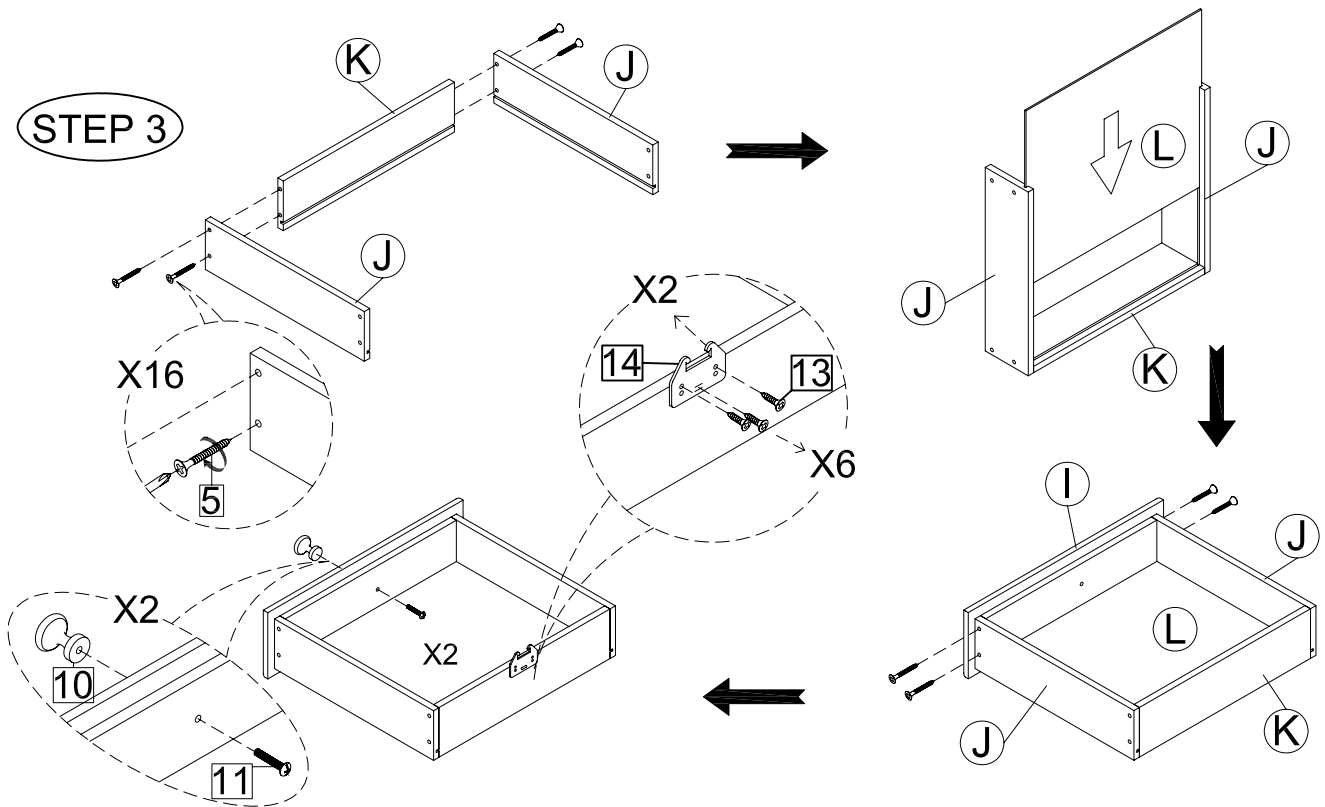
STEP 1



STEP 2

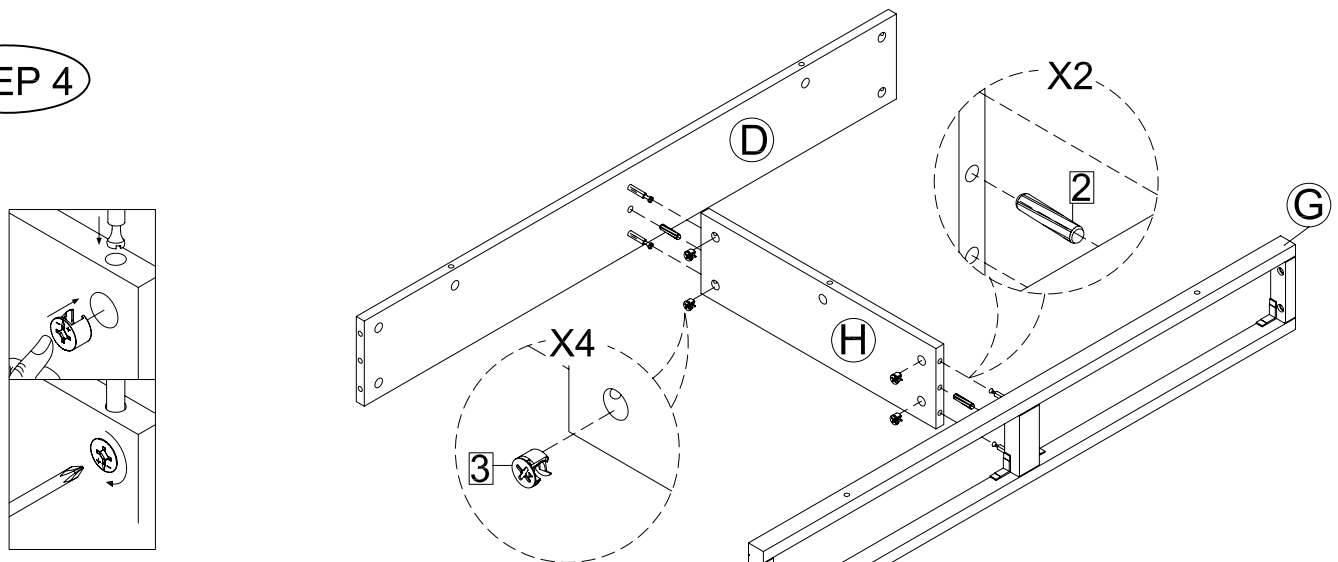


ASSEMBLY INSTRUCTIONS SOFA TABLE



- a) Attach Drawer Side Panels (J) to Drawer Back Panel (K) by using Screw(5)
- b) Insert Drawer Bottom Panel (L) via groove on Drawer Side Panels and Back Panel.
- c) Place Drawer Front Panel (I) between (J) and use Screw (5) to fasten (I) as shown.
- d) Identify position for Drawer Hanging Piece (14) on (J) and use Screw (13) to attach it.
- e) Install Knob (10) using Screw (11).

STEP 4

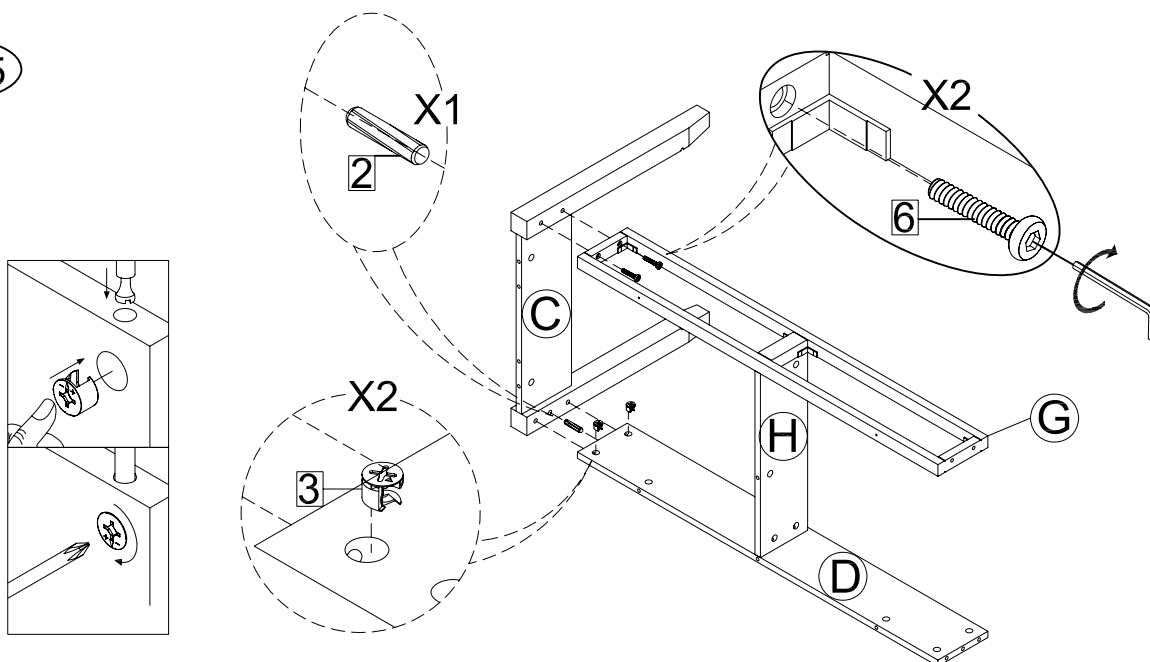


- a) Insert Wood Dowel (2) between the Cam-bolts on Back Panel (D) and Front Frame (G).
- b) Attach Center Panel (H) to (D) and (G). Insert Cam-lock (3) and turn clockwise to secure Cam-bolt on (D) & (G).

ASSEMBLY INSTRUCTIONS

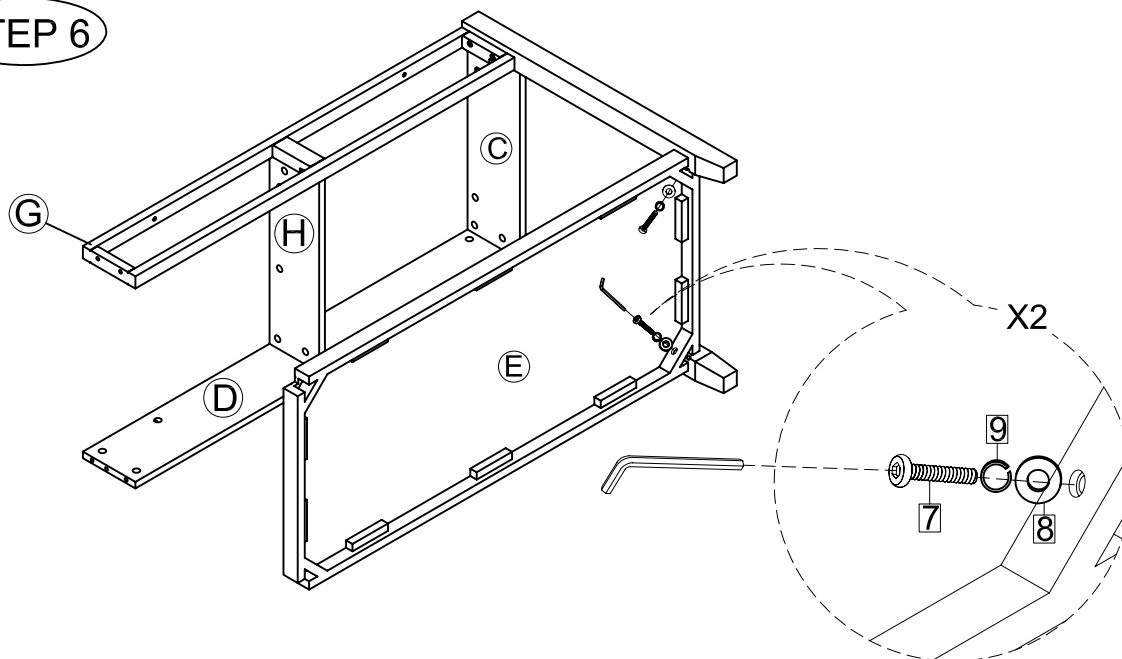
SOFA TABLE

STEP 5



- Insert Wood Dowel (2) between Cam-bolts on Right on Side Panel (C) from Step1.
- Attach Back Panel (D) to (C). Insert Cam-lock (3) and turn clockwise to secure Cam-bolt on (C).
- Fasten Front Frame (G) to (C) with Bolt (6) using Allen Wrench (12) as shown.

STEP 6

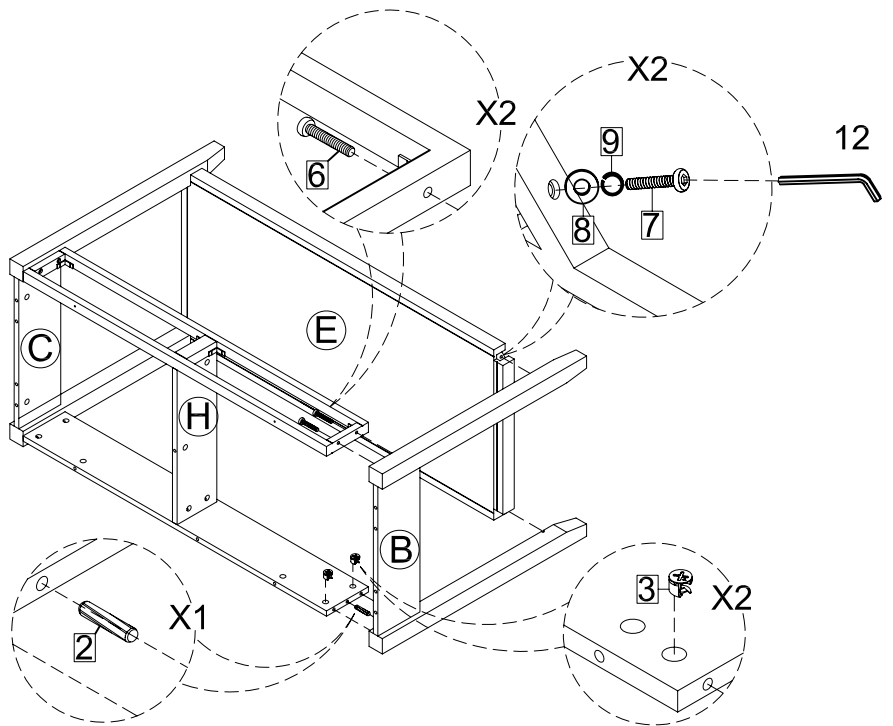
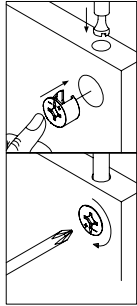


- Install Bottom Panel (E) to Right Side Panel (C) as shown.
- use Bolt (7) insertde with Spring Washer (9) and Flat Washer (8) to fasten Bottom Panel (E) to Right Side Panel (C). Use Allen Wrench (12) to loosely tighten Bolt (7) at this time.

ASSEMBLY INSTRUCTIONS

SOFA TABLE

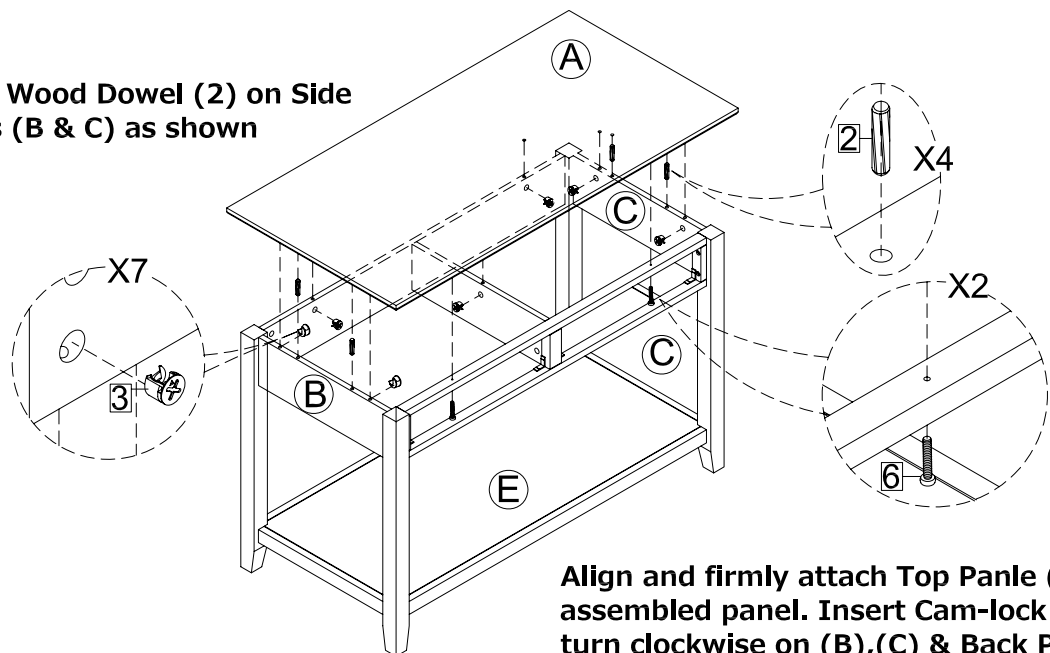
STEP 7



- a) Insert Wood Dowel (2) to Back Panel (D) and attach Left Side Panel (B) to (D). Insert Cam-lock (3) and turn clockwise to secure Cam-bolt on (B).
- b) Fasten (B) to Front Frame (G) with Bolt (6) using Allen Wrench (12).
- c) Use Bolt (7) insertde with Spring Washer (9) and Flat Washer (8) to fasten Bottom Panel (E) to Left Side Panel (B). Use Allen Wrench (12) to tighten all the Bolts (7) on (E) completely at this time. Do not over-tighten.

STEP 8

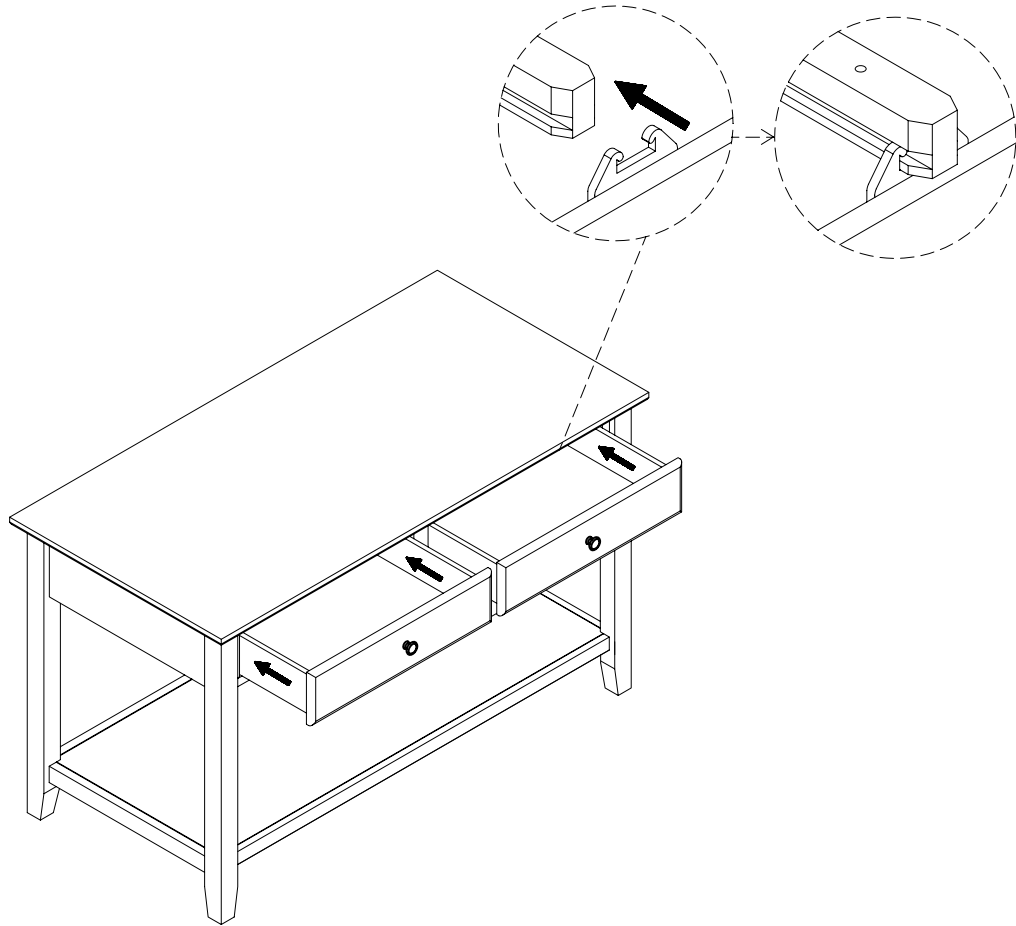
Insert Wood Dowel (2) on Side Panels (B & C) as shown



Align and firmly attach Top Panle (A) to assembled panel. Insert Cam-lock (3) and turn clockwise on (B),(C) & Back Panel to secure Cam-bolt on (A). Use Bolt (6) to fasten Top Panel to Front Frame.

ASSEMBLY INSTRUCTIONS

SOFA TABLE



Insert completed Drawer assembly squarely to allow the Drawer Hanging Piece (14) on Drawer Back Panel to slide into the Slide rail under the Top Panel.