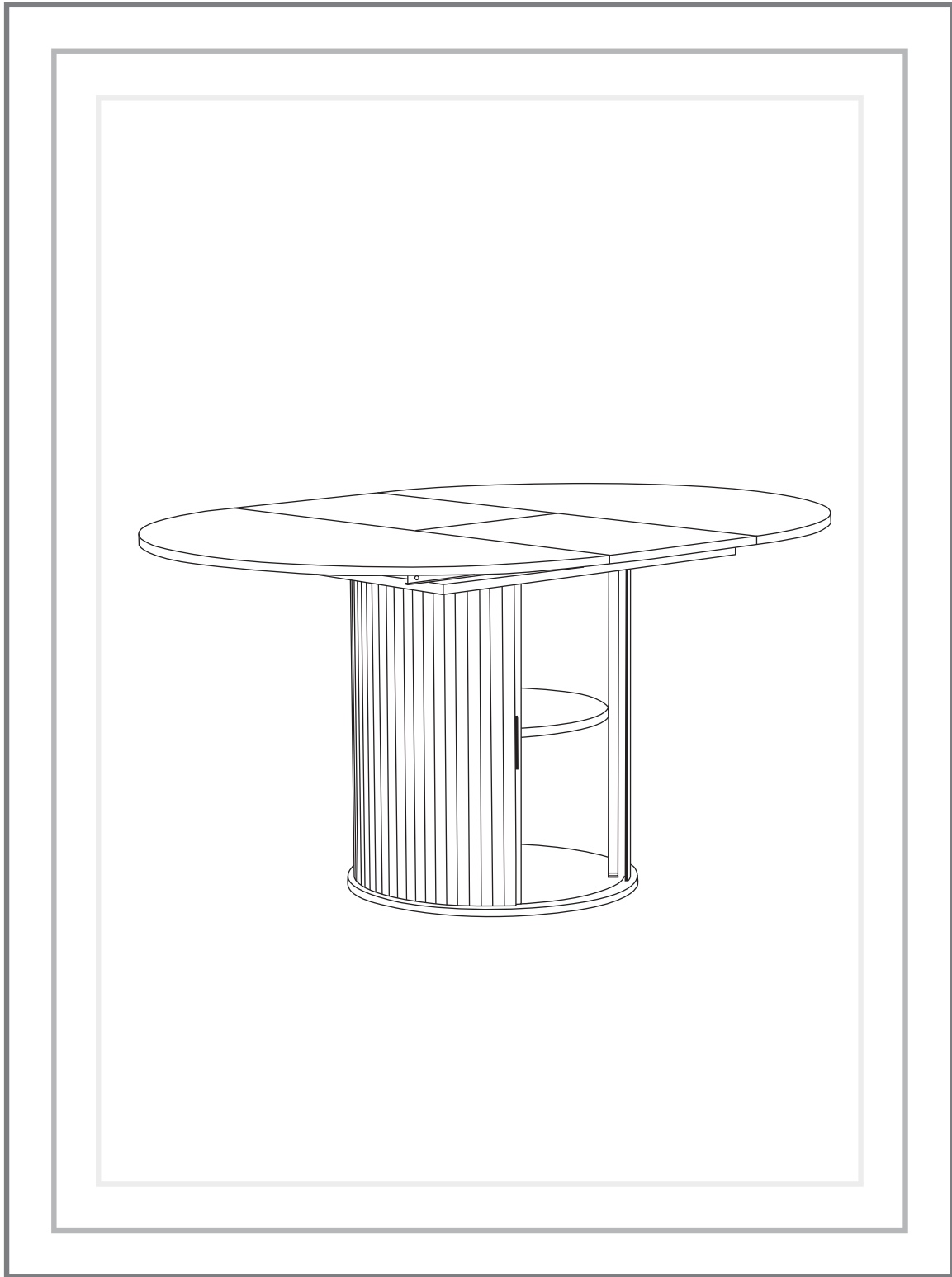


# ASSEMBLY

HBLJ-V1

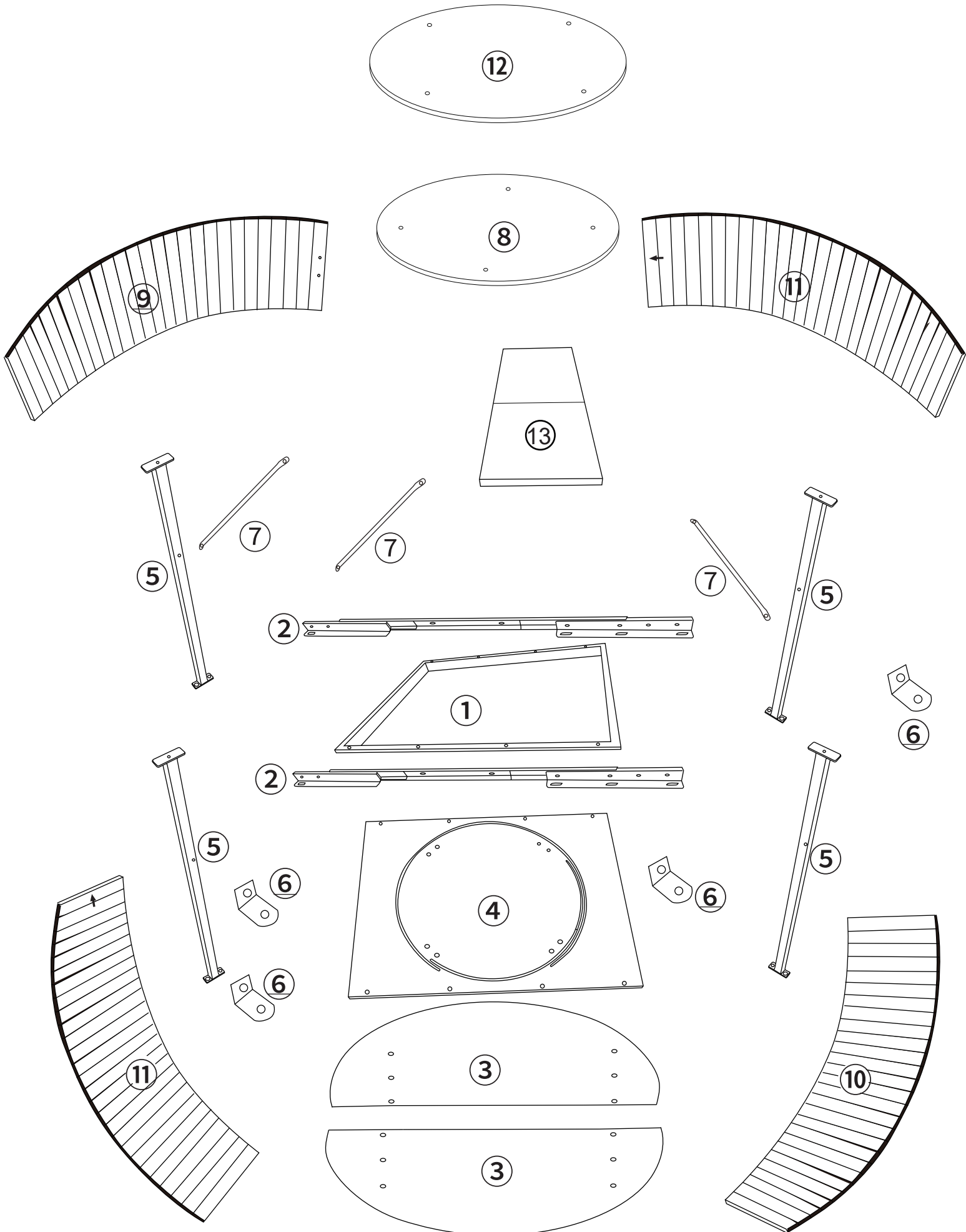
# Instructions



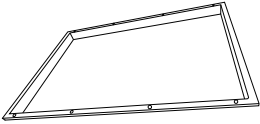


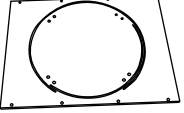
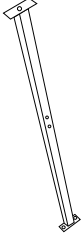
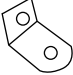
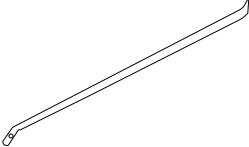

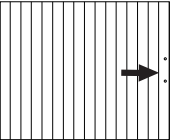
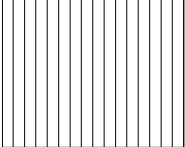
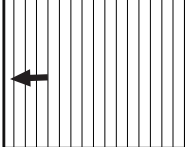

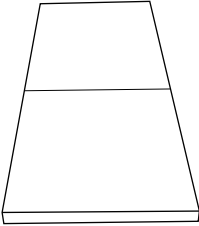
If you have any questions, please contact customer service email:

**[AfterSales9527@outlook.com](mailto:AfterSales9527@outlook.com)**

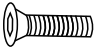

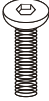

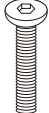
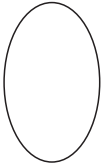
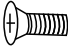



# Disassembly Diagram



# Accessories

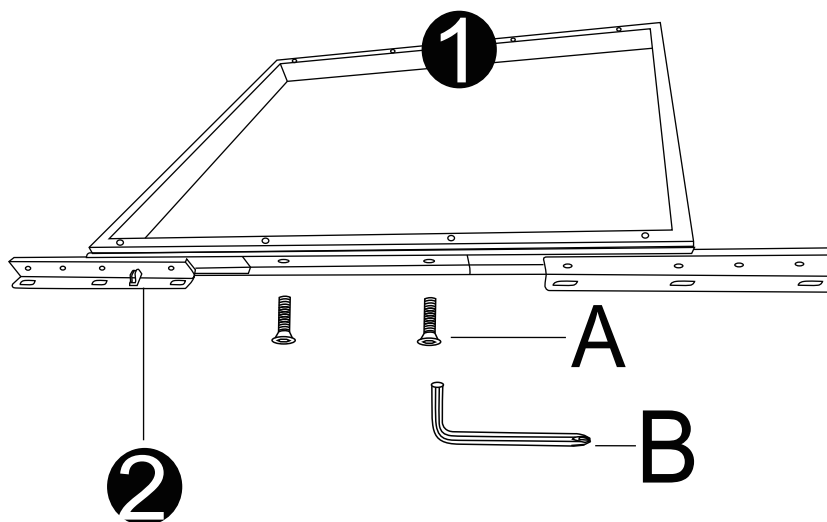
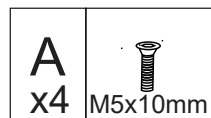
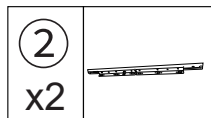
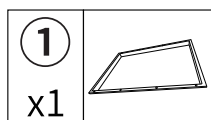
<b>1</b> x1 	<b>2</b> x2 	<b>3</b> x2 	<b>4</b> x1 
<b>5</b> x4 	<b>6</b> x4 	<b>7</b> x3 	<b>8</b> x1 
<b>9</b> x1 	<b>10</b> x1 	<b>11</b> x2 	<b>12</b> x1 
<b>13</b> x1 			

# Accessories

<p><b>A</b> x8</p>  <p>M5x10mm 1 Spare</p>	<p><b>B</b> x1</p> 	<p><b>C</b> x30</p>  <p>M6x16mm 4 Spare</p>	<p><b>D</b> x38</p>  <p>M6x16x1.5mm 4 Spare</p>
<p><b>E</b> x12</p>  <p>M6x35mm 2 Spare</p>	<p><b>F</b> x1</p>  <p>WAX</p>	<p><b>G</b> x2</p>  <p>M4x8mm</p>	<p><b>H</b> x4</p>  <p>M3x14mm</p>
<p><b>J</b> x8</p>  <p>1 Spare</p>	<p><b>K</b> x1</p> 		

# Assembly Instructions

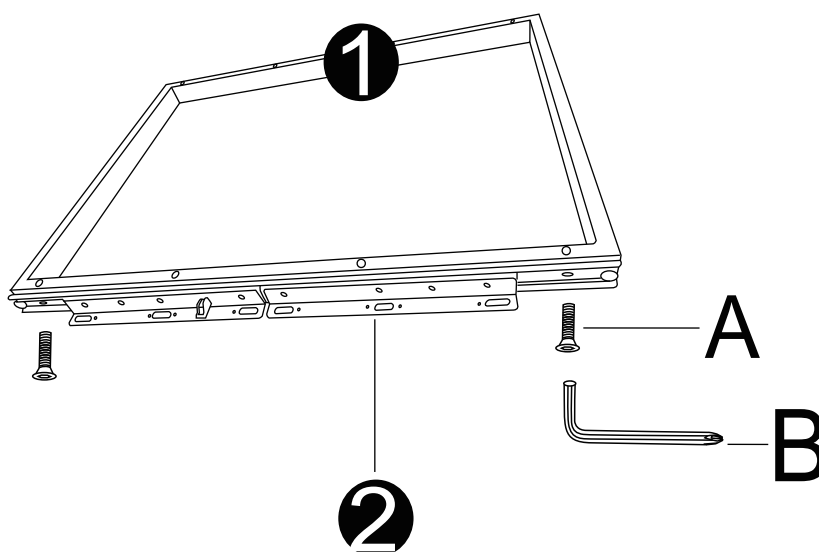
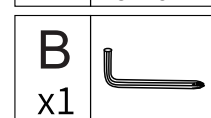
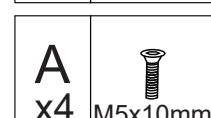
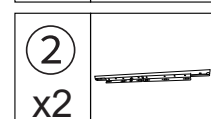
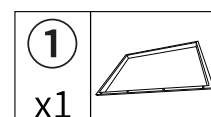
## Step1



The sliding rails are assembled on both sides respectively.  
Assembly screws when the slide rail is open

# x2

## Step2

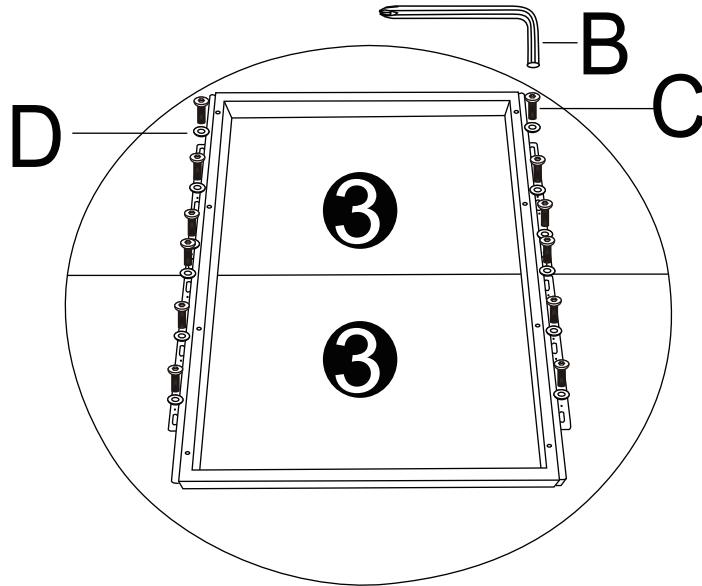
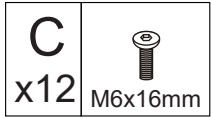
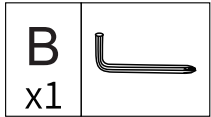
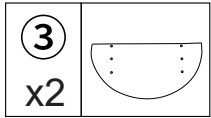


The sliding rails are assembled on both sides respectively.  
Assembly screws when the slide rail is closed

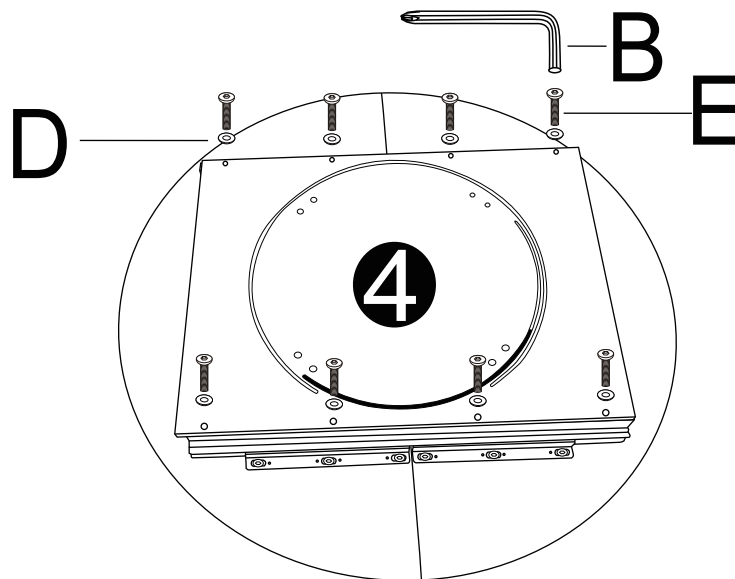
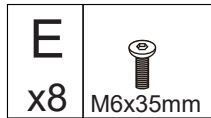
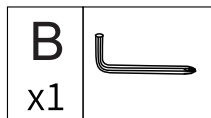
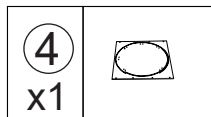
# x2

# Assembly Instructions

## Step3

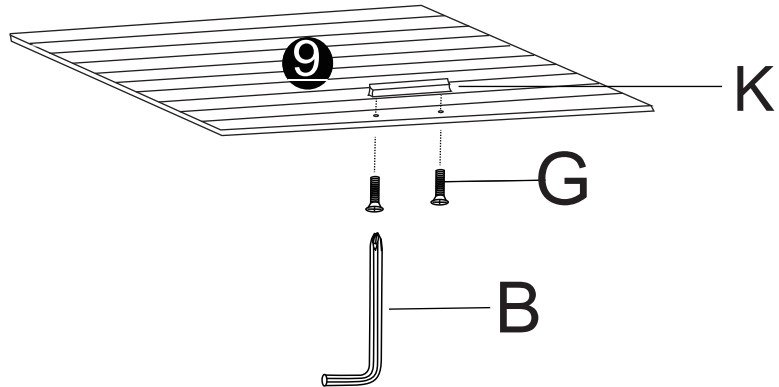
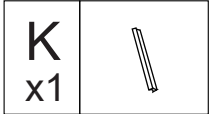
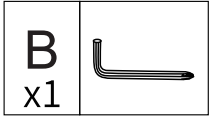
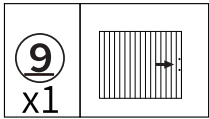


## Step4

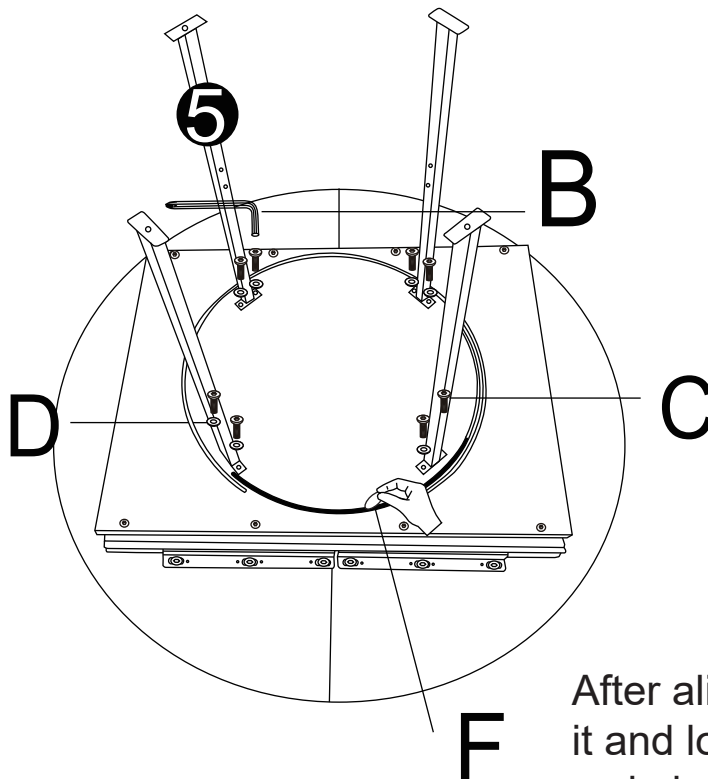
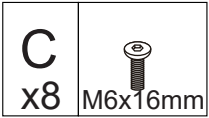
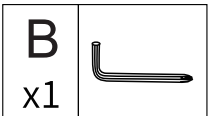
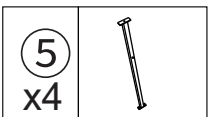


# Assembly Instructions

## Step5



## Step6

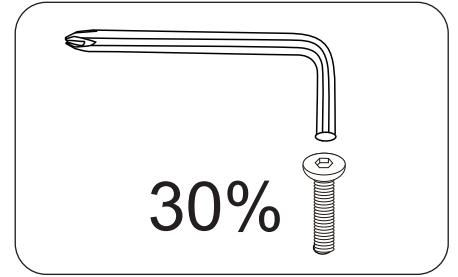
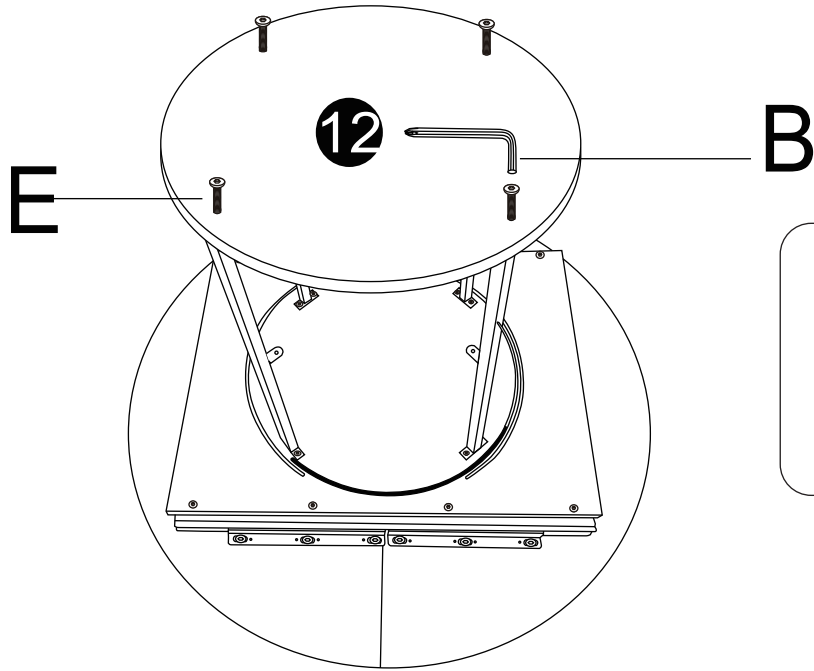
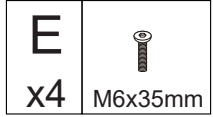
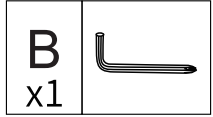
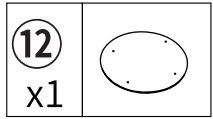


After aligning the holes, lower it and lock it with C. Then, apply a circle of G wax blocks to the groove of the track

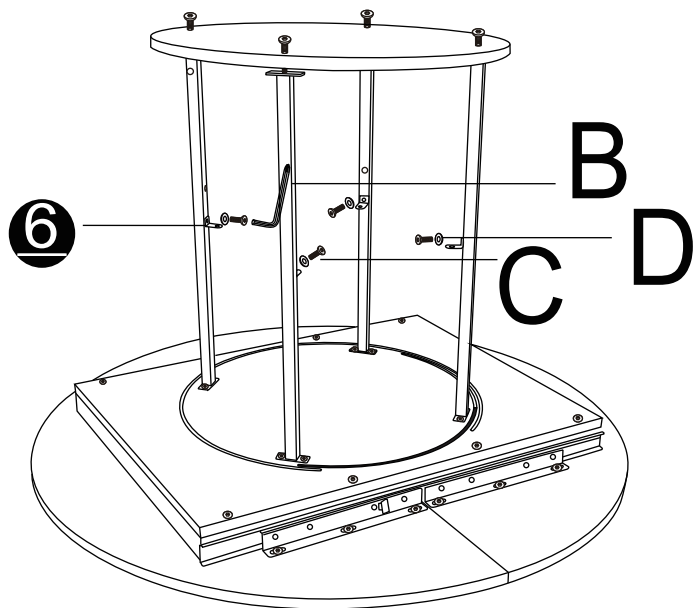
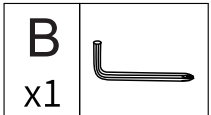
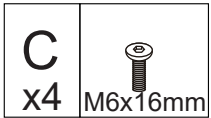
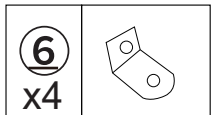
# Assembly Instructions

## Step7

Tighten the screw only 30% and do not over-tighten.






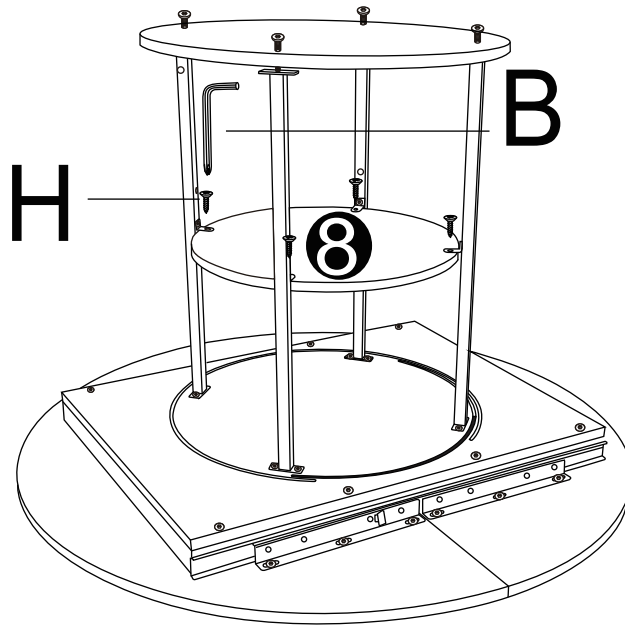
## Step8



# Assembly Instructions





## Step9

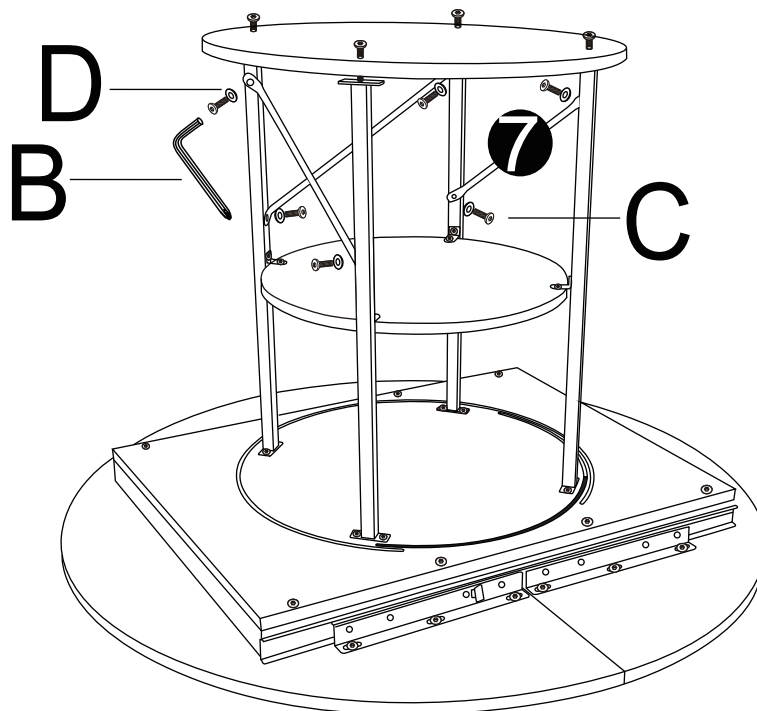
8 x1	
B x1	
H x4	M3x14mm 



! pay attention to the 9 and 11 direction, the board marked with a red arrow, the arrow indicates the outer side.

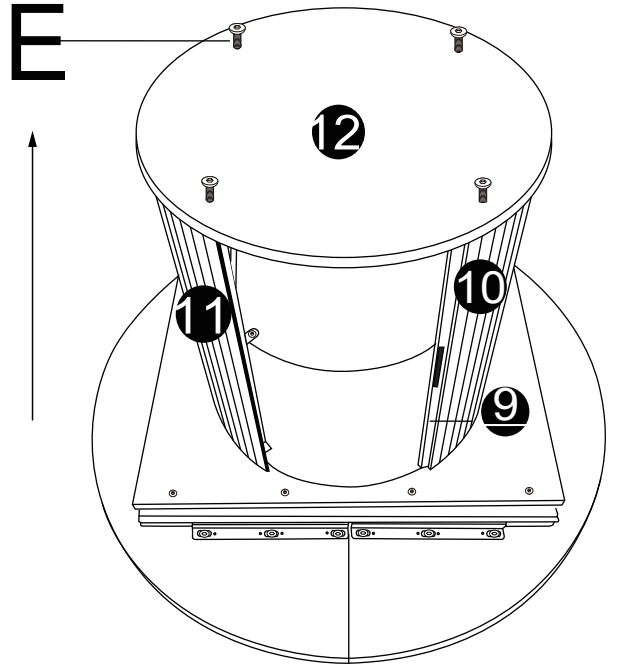
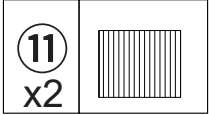
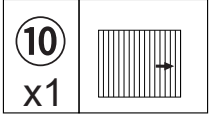
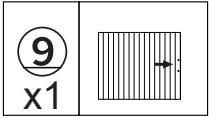
## Step10

7 x3	
B x1	
C x6	M6x16mm 
D x6	M6x16x1.5mm 

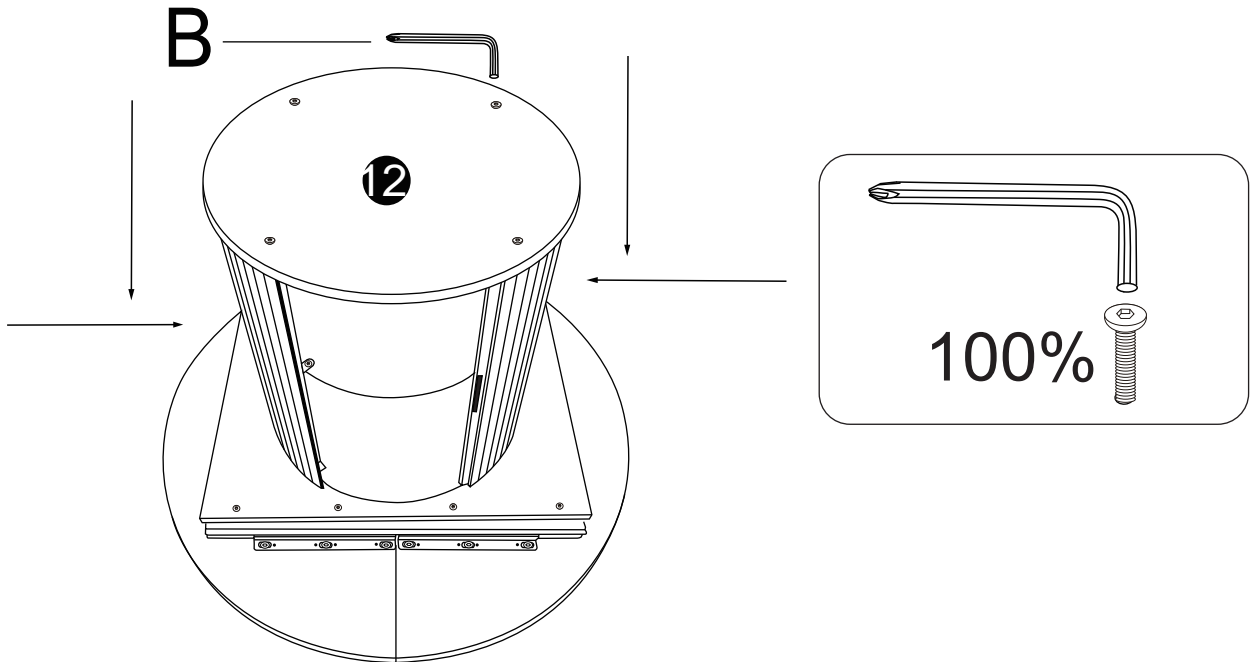


# Assembly Instructions

## Step11



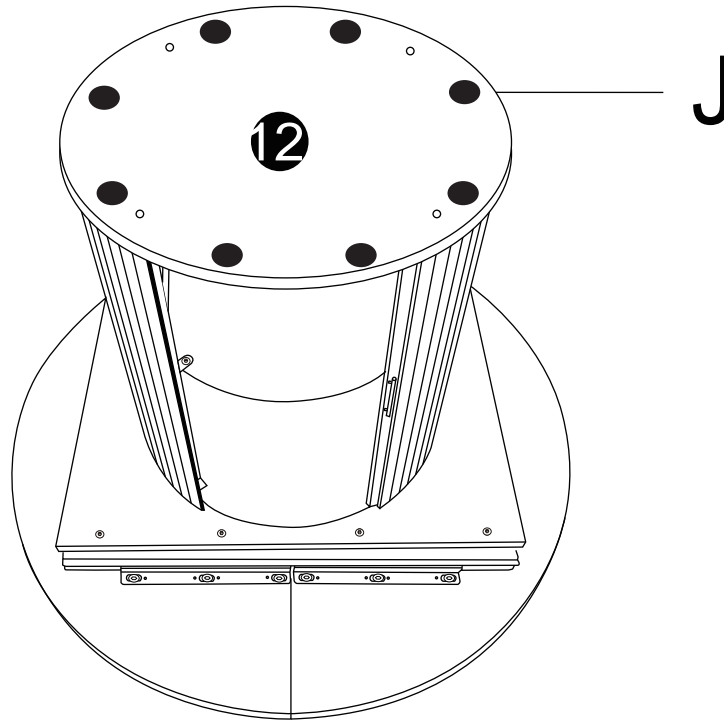
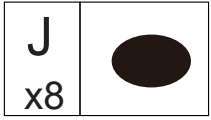
## Step12



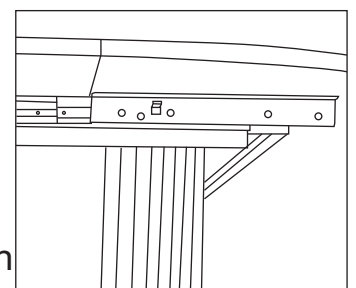
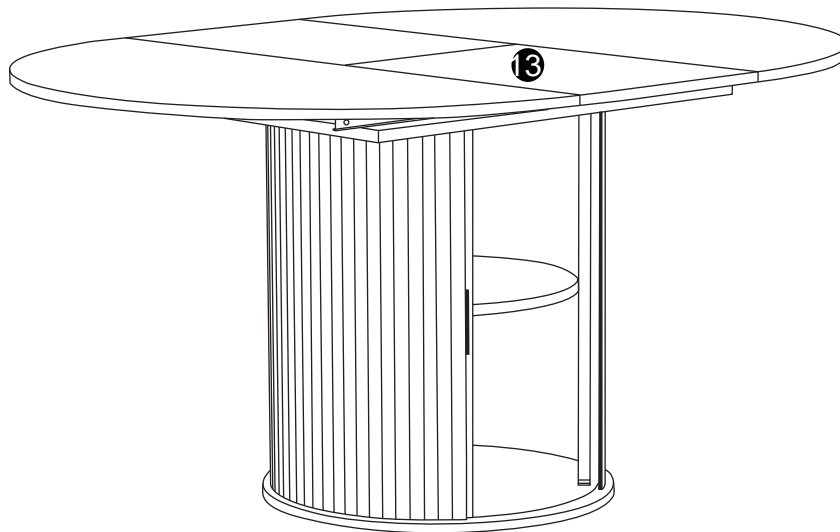
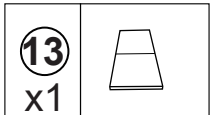
After adjusting the upright boards and inserting them into the slots, tighten the screws.

# Assembly Instructions

## Step13



## Step14

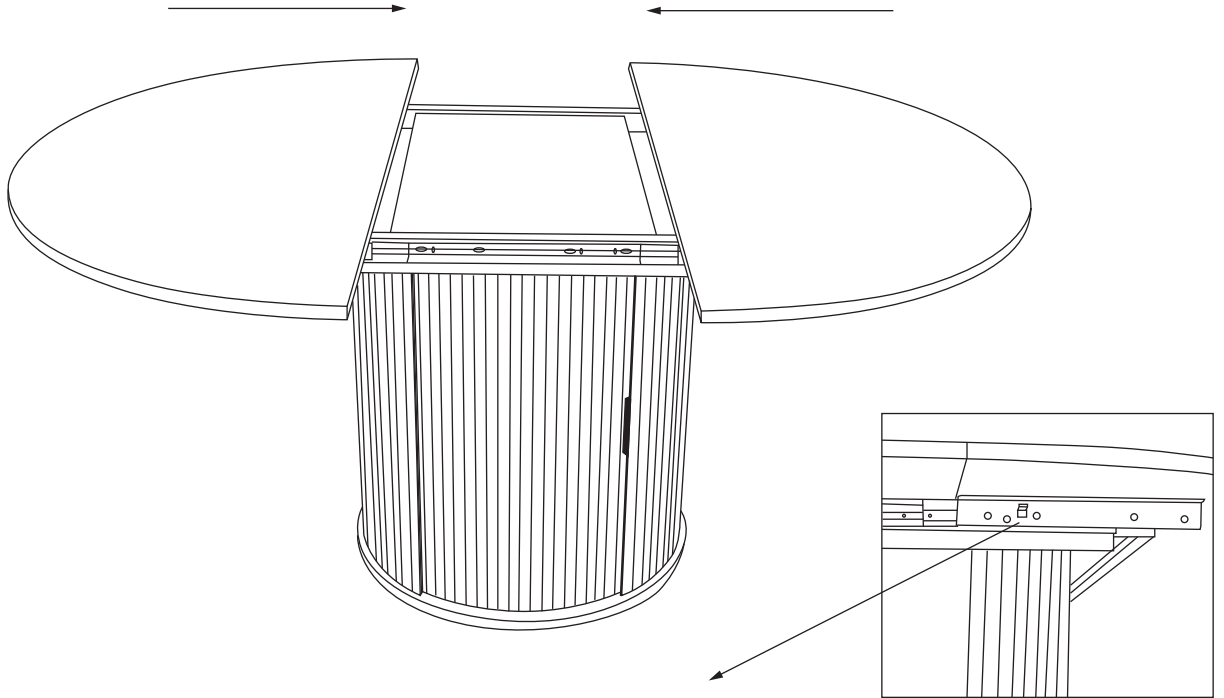


Slide rail lock, lock after pressing downward, unlock by raise the button

# Assembly Instructions

## Step15

The middle panel can be folded and stored



Slide rail lock, lock after pressing downward, unlock by raise the button