

## **CARE AND MAINTENANCE**

Spot clean using a mild water-free solvent. Only a professional cleaner should undertake a complete overall cleaning.

The use of steam or water-based cleaners may cause excessive shrinking or staining.

## **NOTICE**

- \* Please make sure that you have all parts indicated before you begin assembly of this item
- \* This item should be assembled on a soft surface to prevent scratching the finish during assembly
- \* This item may require periodic tightening






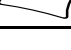







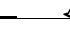
Product Dimensions:

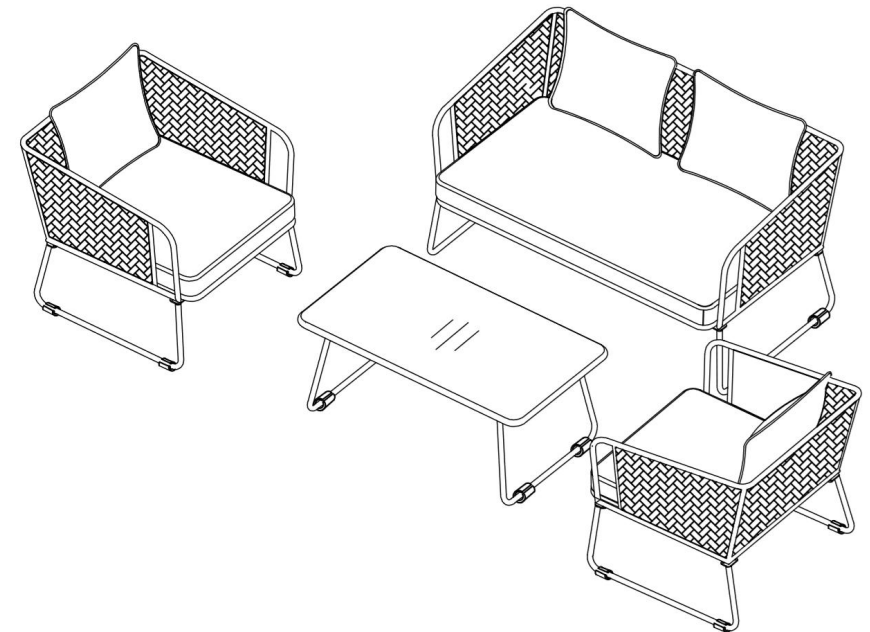
Chair: 26.77" x 27.17" x 26.57"

2 seater: 50" x 27.17" x 26.57"

TABLE: 40.35" x 20.47" x 16.34"

## **Part List And Hardware List**

PIECE	DESCRIPTION	PICTURE	QUANTITY
A	Single chair back		2x
B	Single seat		2x
C	Left chair leg		3x
D	Right chair leg		3x
E	single cushion		2x
F	Pillow		4X
G	Bolt and washer	 M6*35	16X
H	Bolt and washer	 M6*20	32X
I	Allen Key		3x
J	Love-seater chair back		1x
K	Love-seater		1x
L	Love-seater cushion		1x
M	Table top		1x
N	Glass		1x
P	Table leg		2x



## **PREPARATION**

Before beginning assembly of product, make sure all parts are present.

Compare parts with package contents list and hardware contents list. If any part is missing or damaged, do not attempt to assemble the product.

Estimated Assembly Time: 45 minutes.

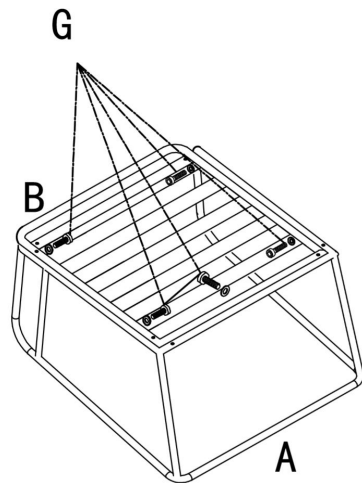
Tools Required for Assembly (included): Allen Key

### Chair Assemble

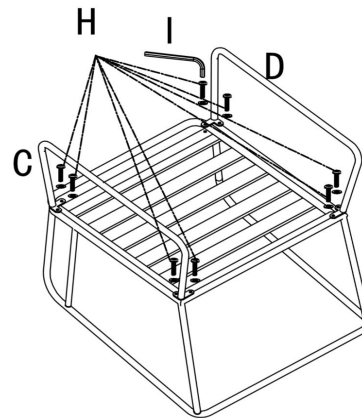
Do not fully tighten bolts until assembly is complete.

1. Assemble the chair leg(B) to the chair(A), using bolt and washer(F).

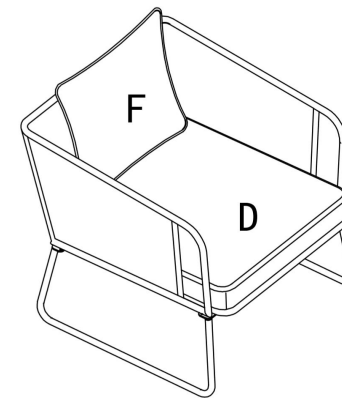
#### STEP 1



#### STEP 2



#### STEP 3



## **PREPARATION**

Before beginning assembly of product, make sure all parts are present.

Compare parts with package contents list and hardware contents list. If any part is missing or damaged, do not attempt to assemble the product.

Estimated Assembly Time: 45 minutes.

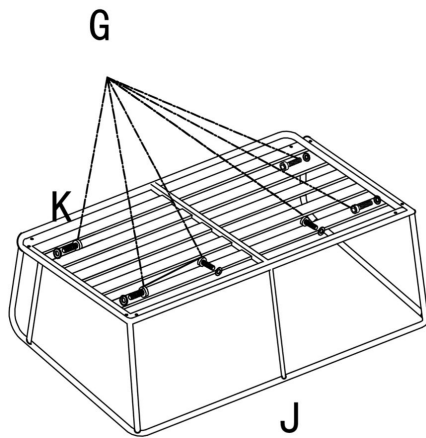
Tools Required for Assembly (included): Allen Key

### Love-seater Assemble

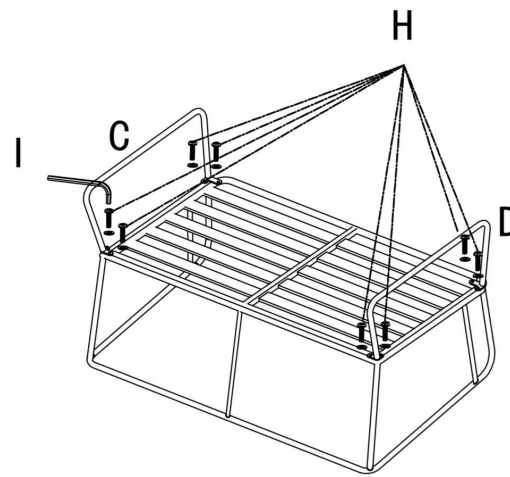
Do not fully tighten bolts until assembly is complete.

1. Assemble the chair leg (B) to the chair (A), using bolt and washer (F).

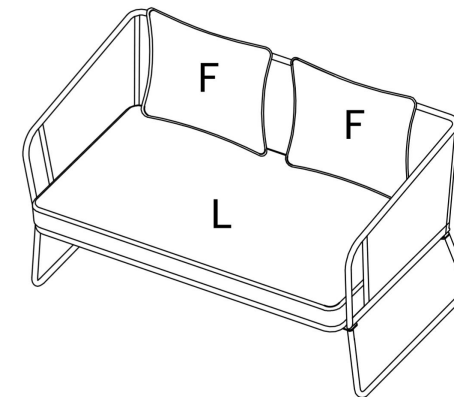
STEP 4



STEP 5



STEP 6



## **PREPARATION**

Before beginning assembly of product, make sure all parts are present.

Compare parts with package contents list and hardware contents list. If any part is missing or damaged, do not attempt to assemble the product.

Estimated Assembly Time: 45 minutes.

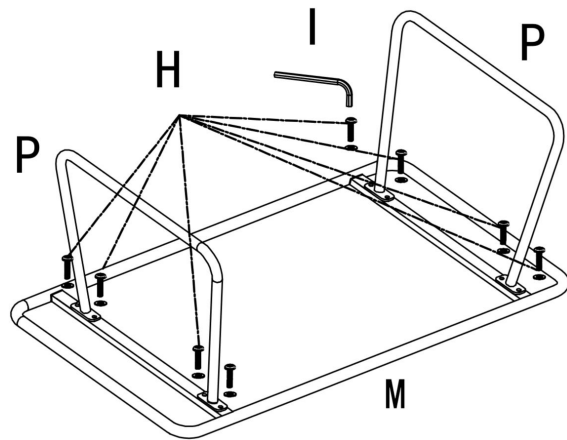
Tools Required for Assembly (included): Allen Key

### Table Assemble

Do not fully tighten bolts until assembly is complete.

1. Assemble the table leg (C) to the table top (D), using bolt and washer (F).

#### STEP 7



#### STEP 8

