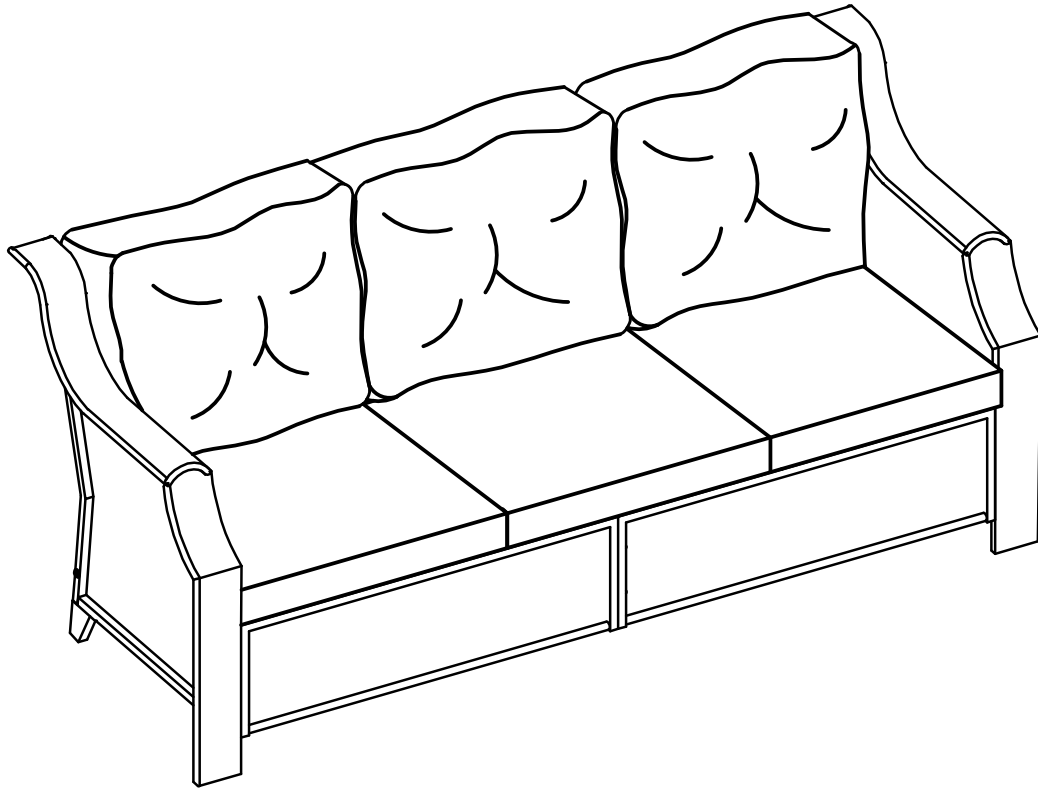
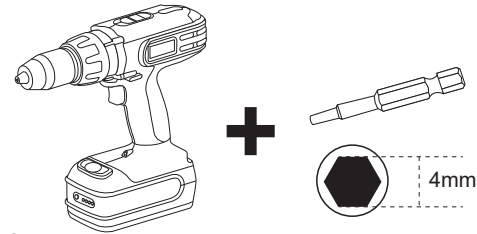


# Assembly Instructions



For any missing hardware, damaged parts and other problems.  
WELCOME to email us

**\*Don't fully tighten all the bolts till the very end!**



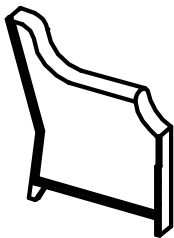
#### PRE-ASSEMBLY PREPARATION:

- A cordless drill is recommended for ease of assembly.
- Clear out the space for assembly and lay out all of the parts based on the Parts List, extra room will allow you to easily determine if all the pieces are present.
- Keep small parts and pieces away from children until fully assembled.

A1

Left  
Arm

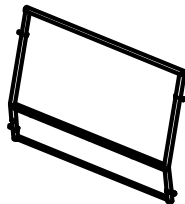
1pc



C

Back

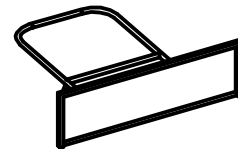
1pc



F

Support  
Bar

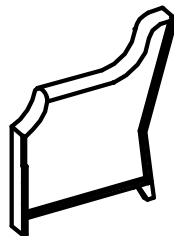
1pc



A2

Right  
Arm

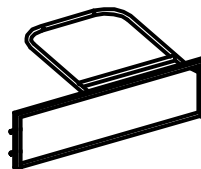
1pc



D

Seat

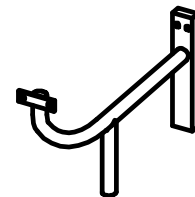
1pc



G

Support  
Bar

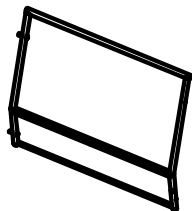
1pc



B

Back

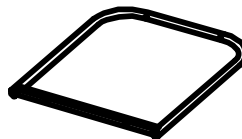
1pc



E

Seat

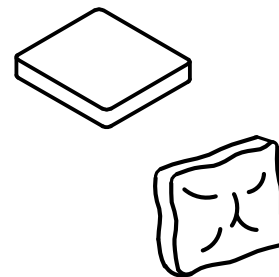
1pc




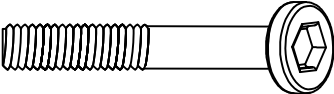
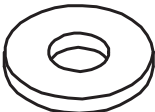
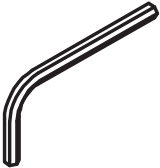


N+O

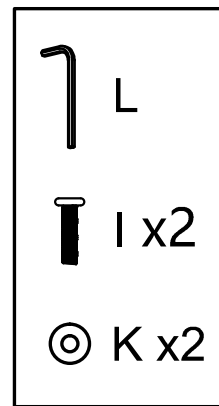
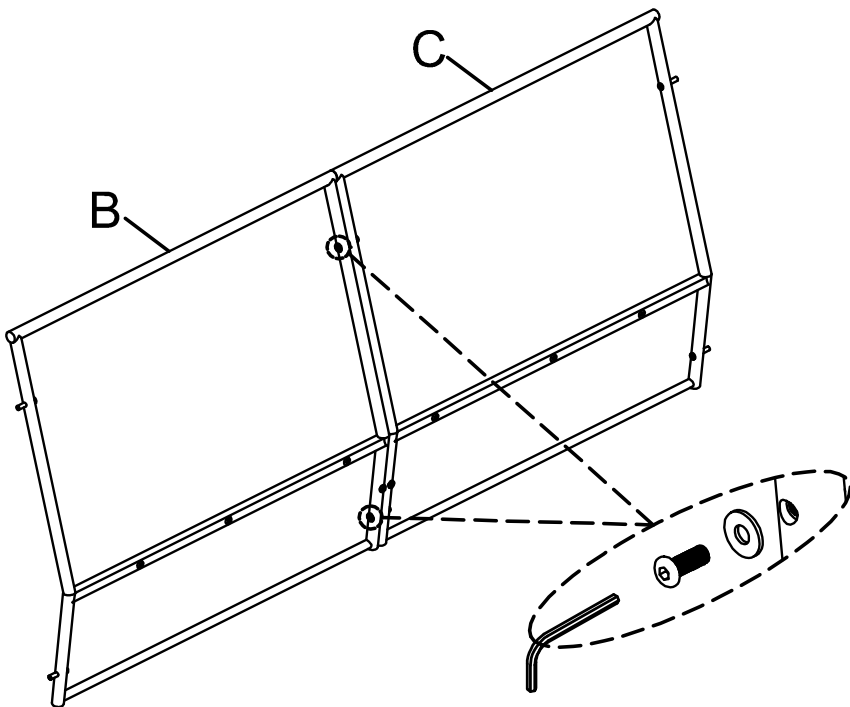
Seat  
Cushion  
Back  
Cushion

3pcs

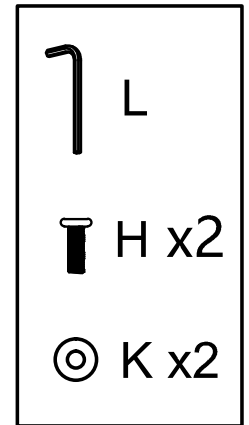
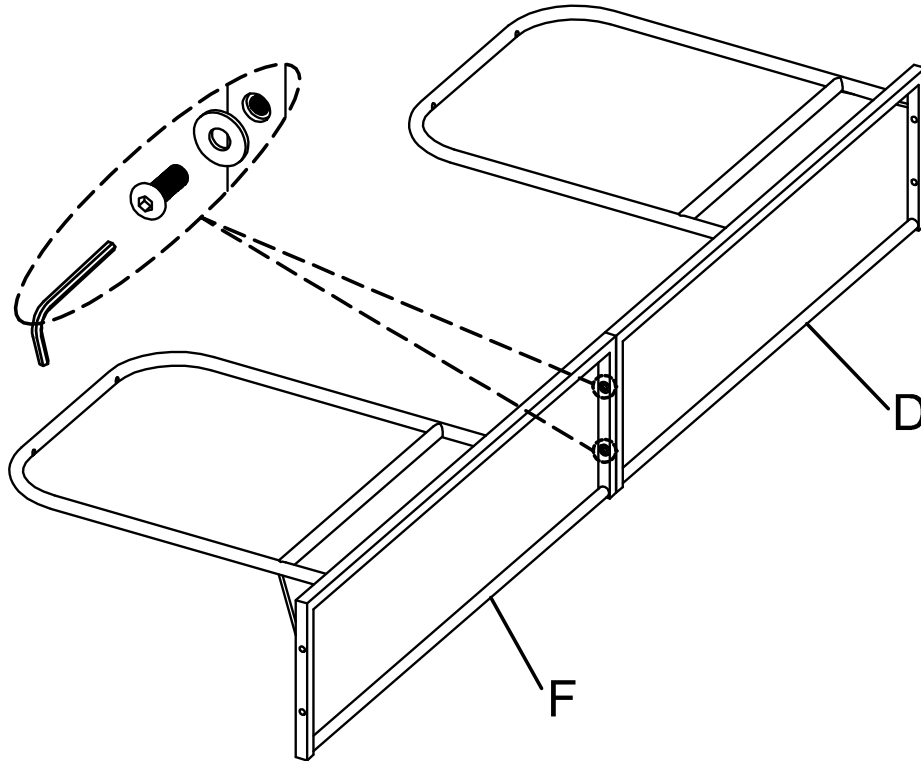


No.	Part/Size	QTY	Image	No.	Part/Size	QTY	Image
<b>H</b>	<b>Bolt</b> (M6*15mm)	<b>6</b>	<p>**Actural Scale</p> 	<b>M</b>	<b>Washer</b>	<b>1</b>	
<b>I</b>	<b>Bolt</b> (M6*20mm)	<b>4</b>	<p>**Actural Scale</p> 				
<b>J</b>	<b>Bolt</b> (M6*35mm)	<b>14</b>	<p>**Actural Scale</p> 				
<b>K</b>	<b>Washer</b>	<b>24</b>					
<b>L</b>	<b>Allen Wrench</b>	<b>1</b>					

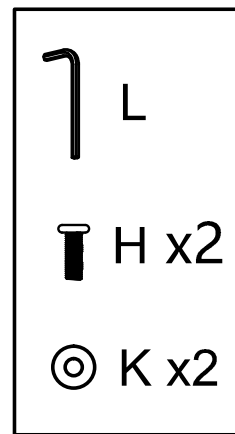
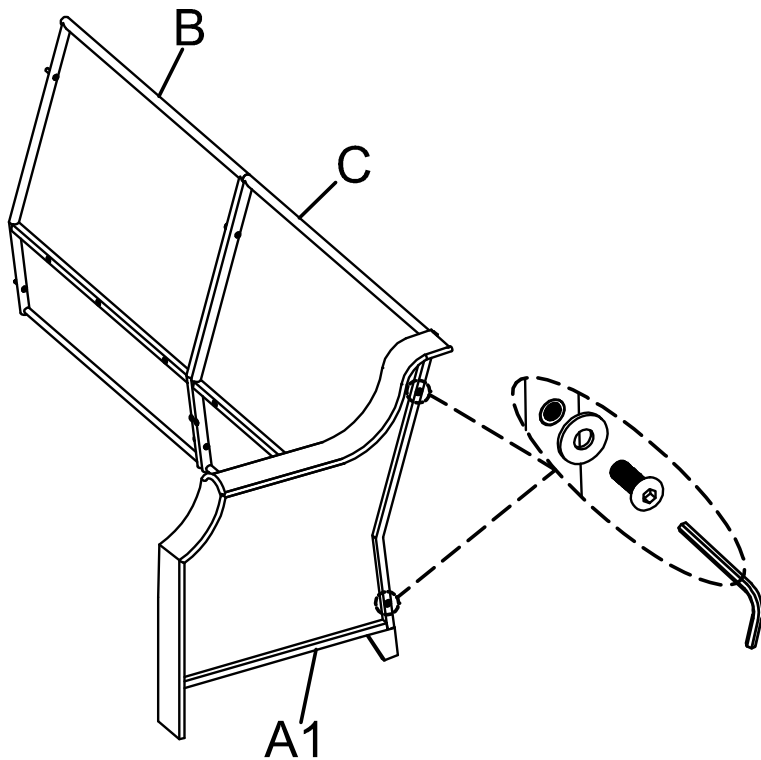
**Step 1:** Attach left back B to right back C with 2pcs bolts I and 2pcs washers K , using Allen wrench L .Note:Don't fully tighten the bolts.



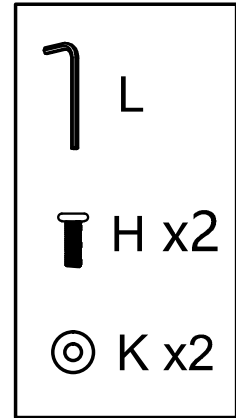
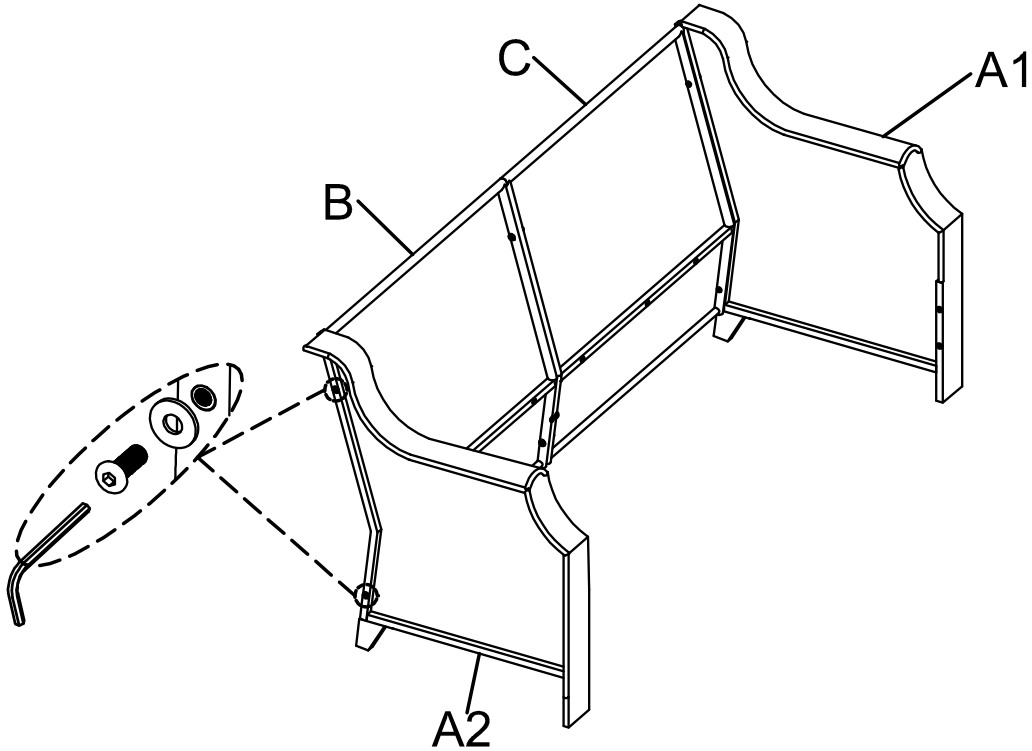
**Step 2:** Attach left seat F to right D with 2pcs bolts H and 2pcs washers K ,using Allen wrench L .Note: Don't fully tighten the bolts.



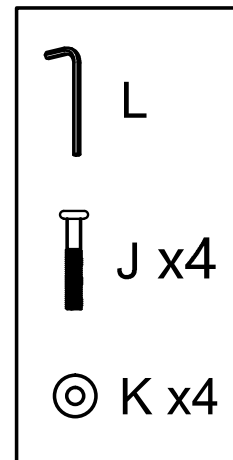
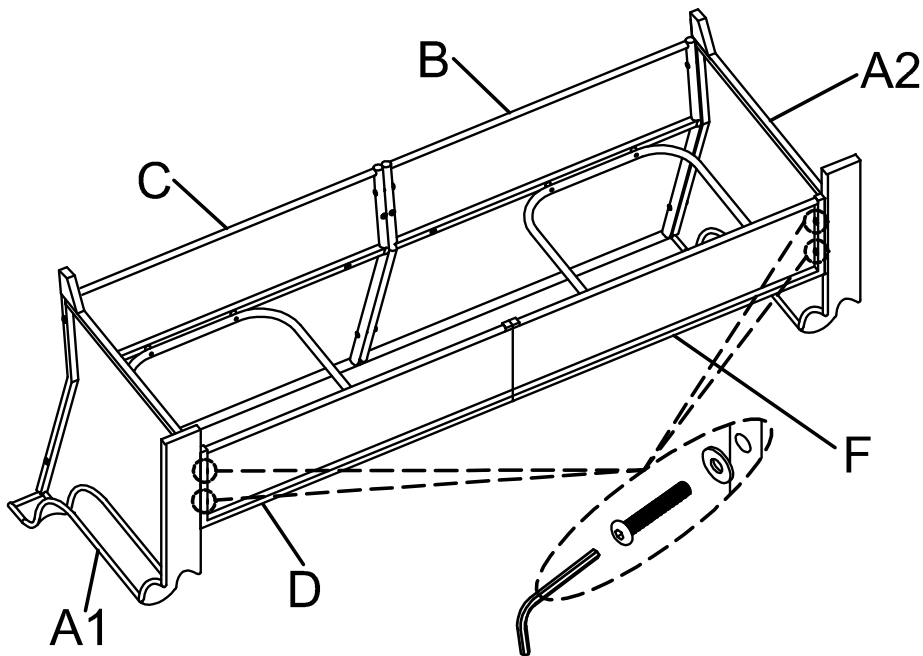
**Step 3:** Attach right A1 to back C with 2pcs bolts H and 2pcs washers K, using Allen wrench L. Note: Don't fully tighten all the bolts.



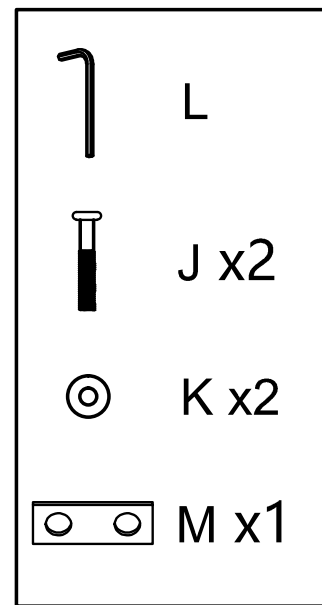
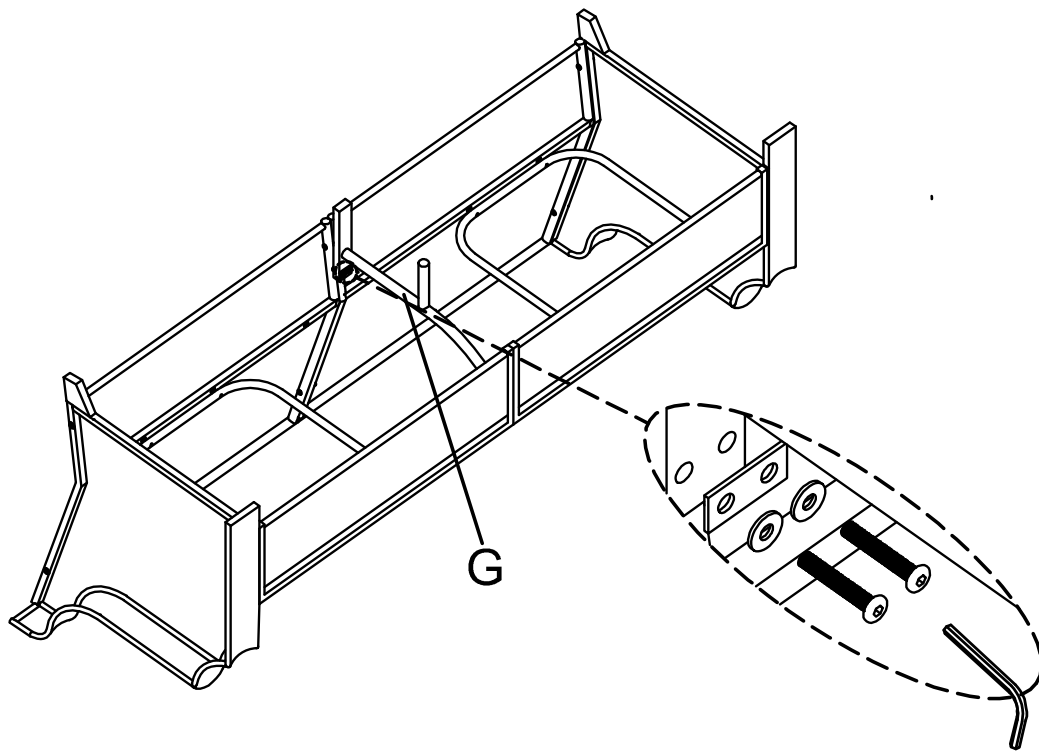
**Step 4:** Attach left arm A2 to back B with 2pcs bolts H and 2pcs washers K ,using Allen wrench L. Note:Don't fully tighten all the bolts.



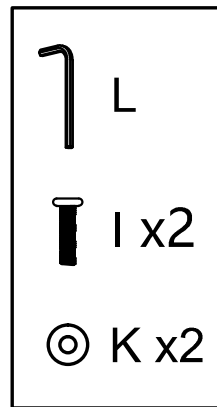
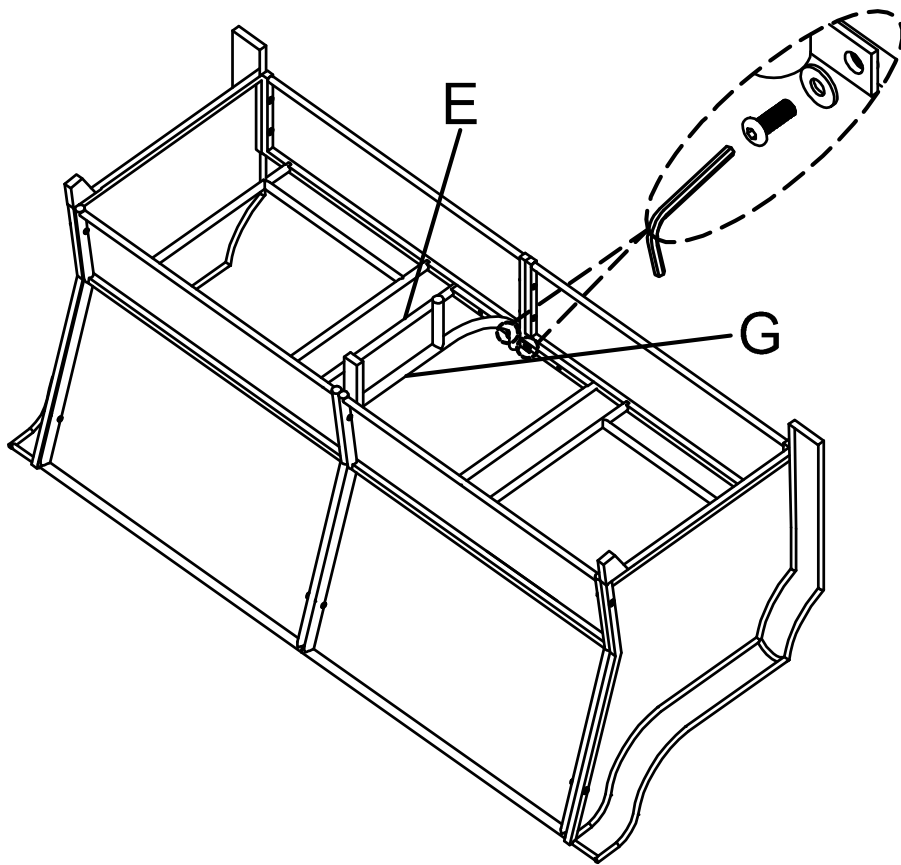
**Step 5:** Attach seat D&F to arms A1&A2 with 4pcs bolts J and 4pcs washer K, using Allen wrench L. Note: Don't fully tighten all the bolts.



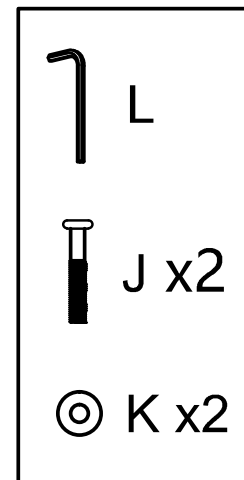
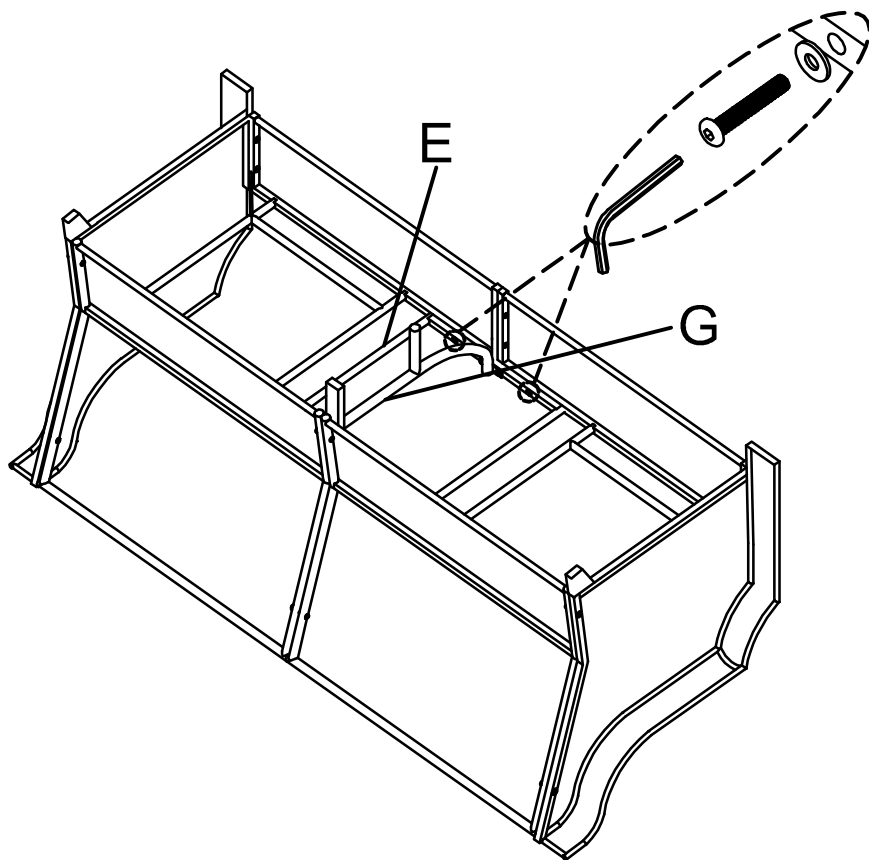
**Step 6:** Attach middle leg G to back with 2pcs bolt J, 1pc washer M and 2pcs washer K, using Allen wrench L.



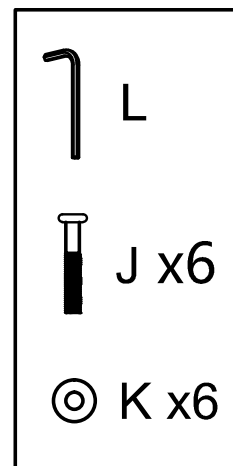
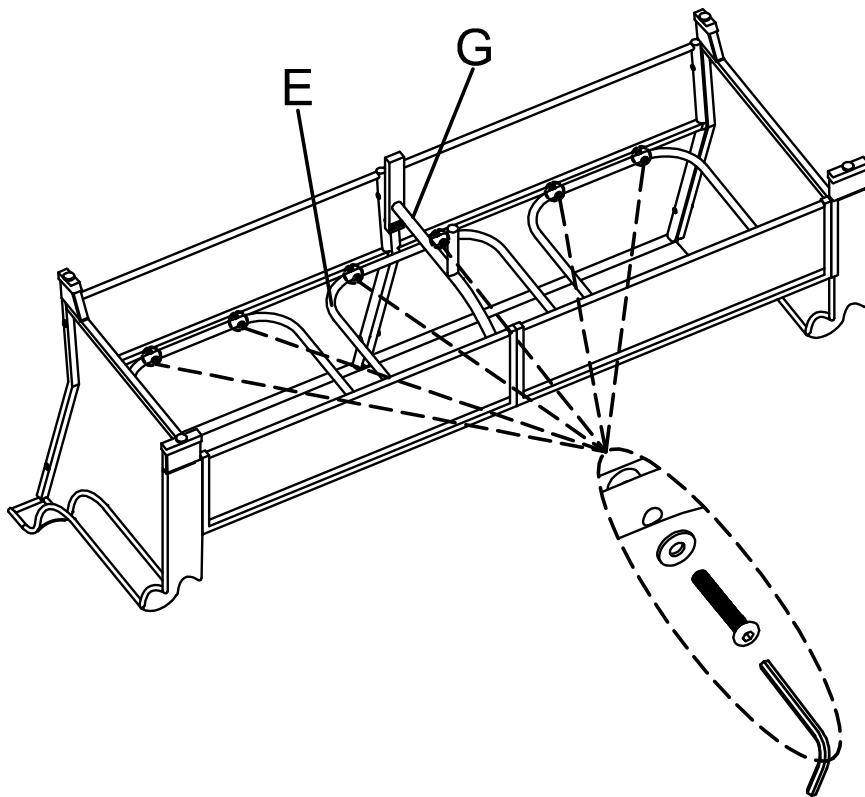
**Step 7:** Attach middle seat E to middle leg G with 2pcs bolts I and 2pcs washer K using Allen wrench L.



**Step 8** : Attach middle seat E to seat F&D with 2pcs bolts J and 2pcs washer K. using Allen wrench L.



**Step 9** : Attach seat to back with 6pcs bolts J and 6pcs washer K, using Allen wrench L.



**Step 10:** Put back cushion O and seat cushion N onto the seat . Assembly is now complete and the product is ready for use.

