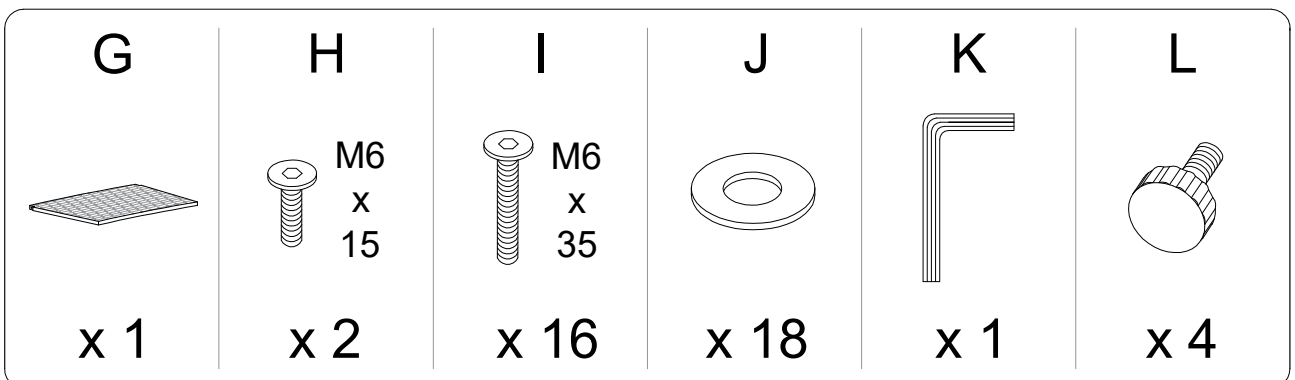
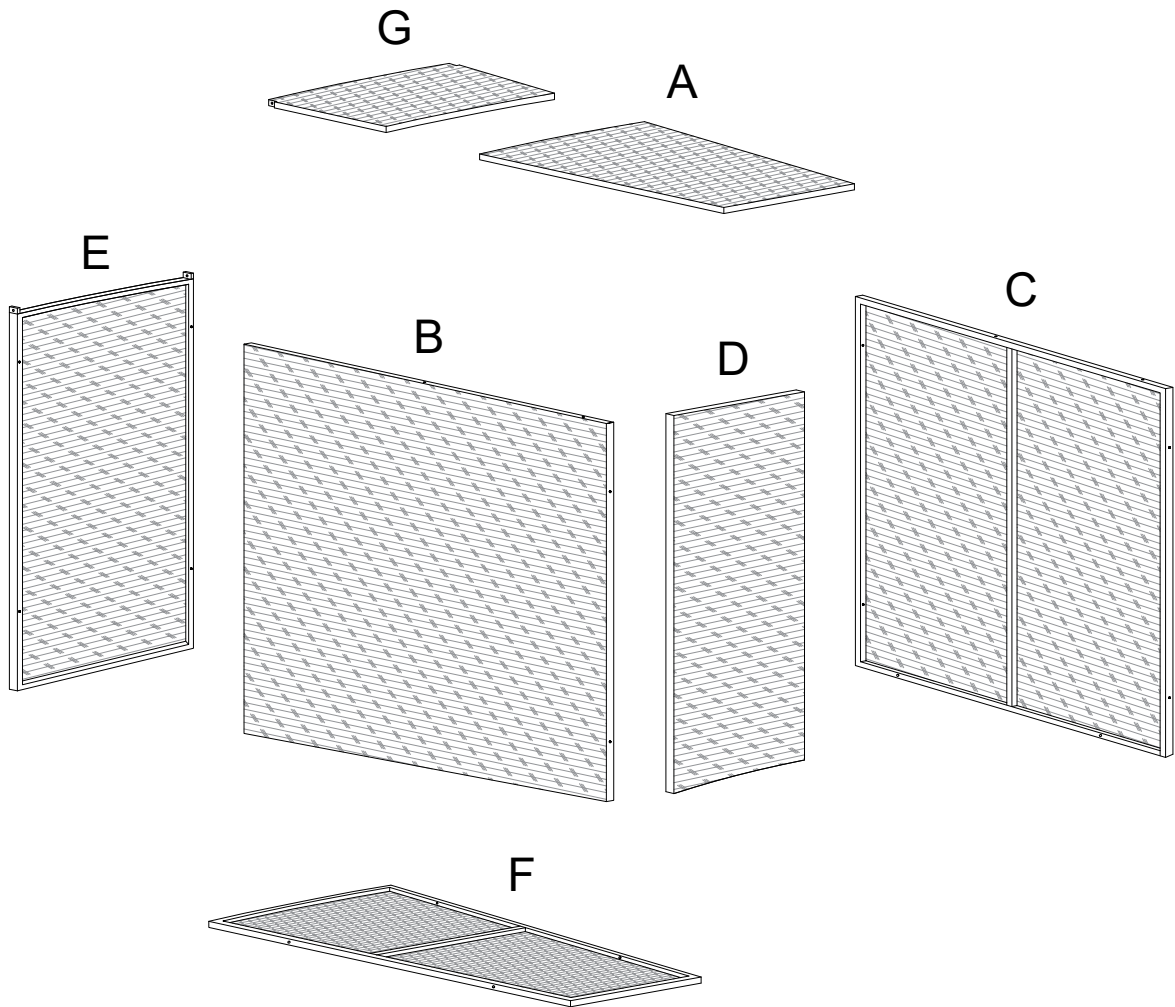
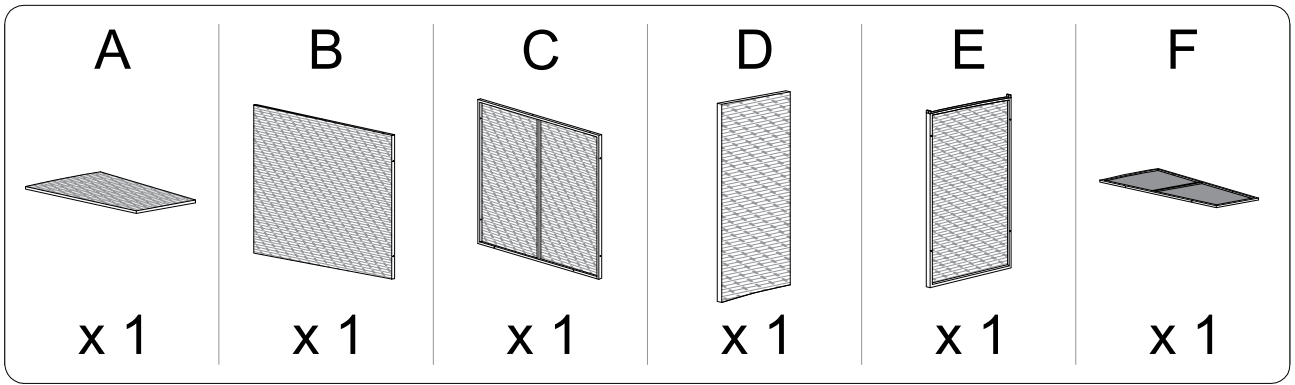


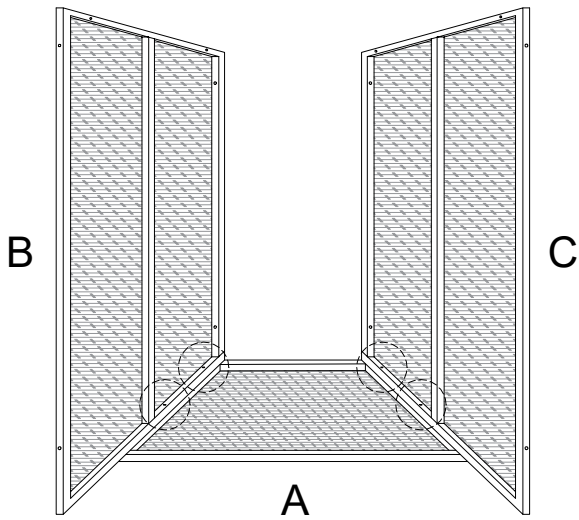
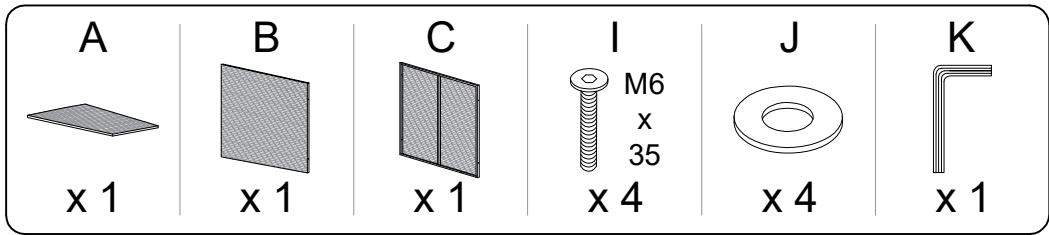
Assembly instructions and warnings:

- Warning 1:** A triangle with an exclamation mark points to a box containing icons for an L-square, a wrench, and a power drill with a slash through it, indicating that a power drill should not be used.
- Warning 2:** A triangle with an exclamation mark points to a box containing icons for a rectangular block on a mat and a rectangular block with a slash through it, indicating that the block should not be placed on a soft surface.
- Time:** A clock icon is followed by the text "40'", indicating a 40-minute assembly time.
- Personnel:** An icon of a person is followed by the number "2", indicating that two people are required for assembly.

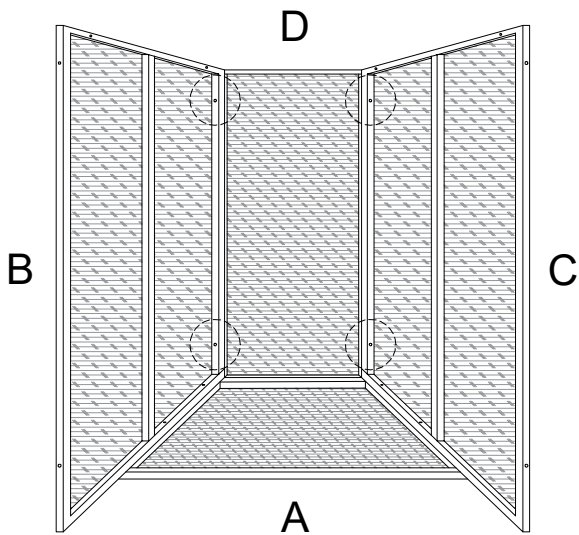
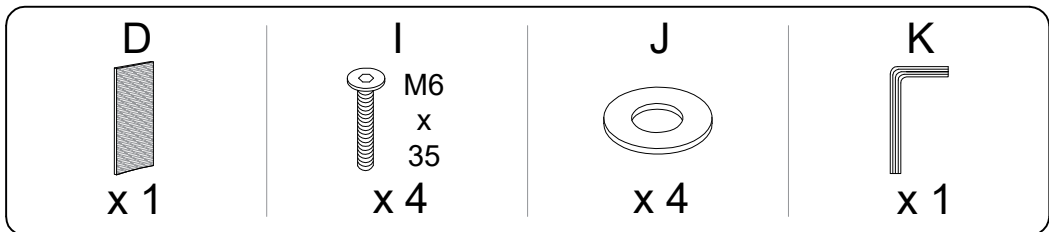
B



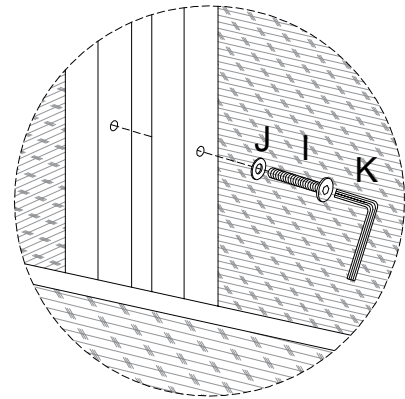
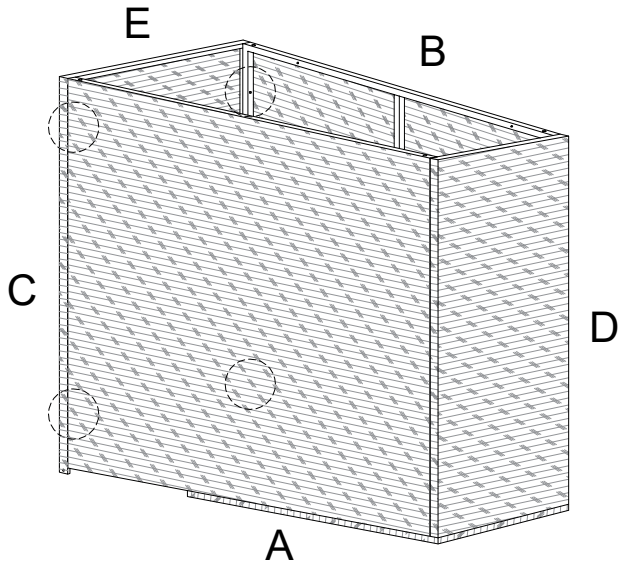
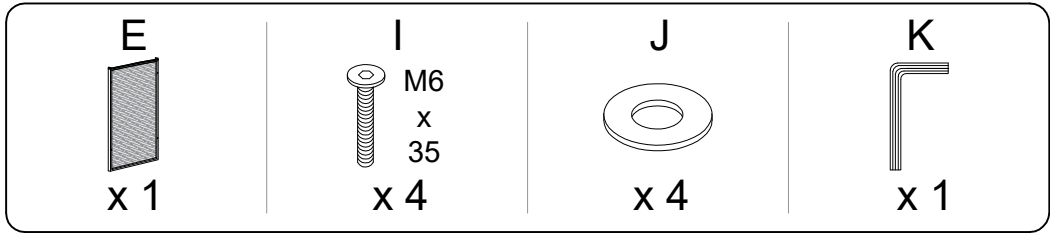
1



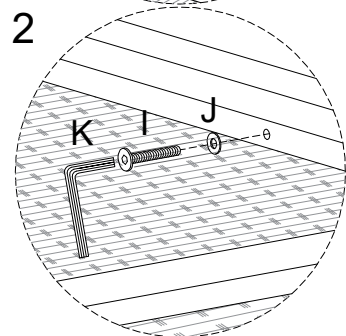
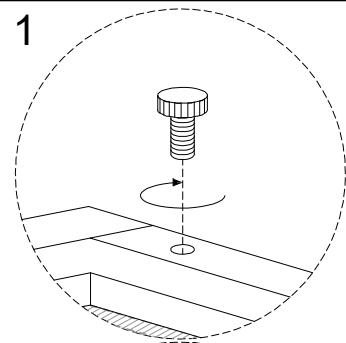
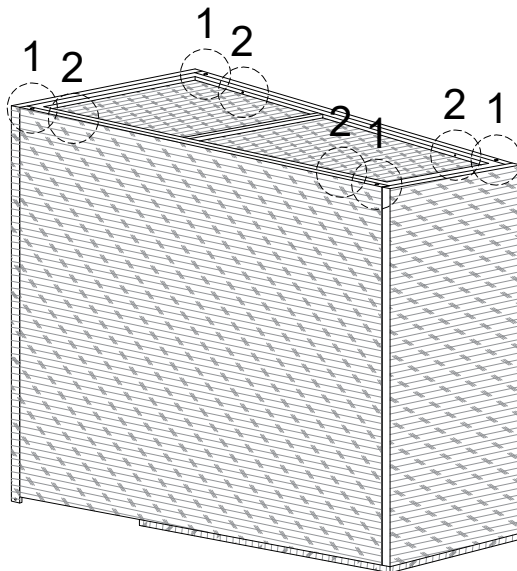
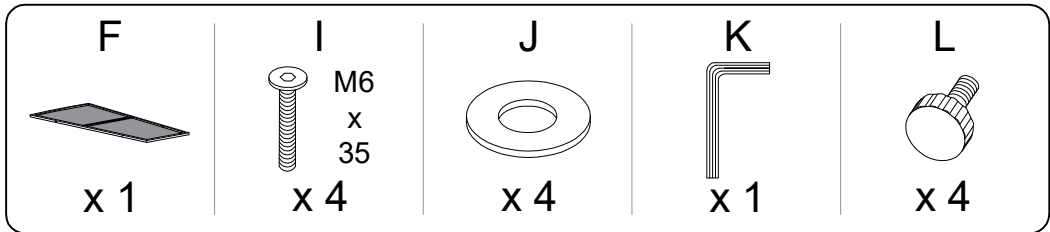
2



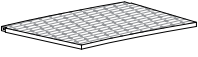
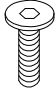
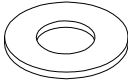

3



4



5

<p>G</p>  <p>x 1</p>	<p>H</p>  <p>M6 x 15</p> <p>x 2</p>	<p>J</p>  <p>x 2</p>	<p>K</p>  <p>x 1</p>
-------------------------------------------------------------------------------------------------------	------------------------------------------------------------------------------------------------------------------------------	--------------------------------------------------------------------------------------------------------	---------------------------------------------------------------------------------------------------------

