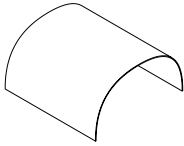
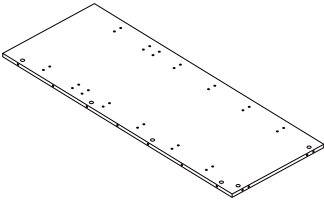
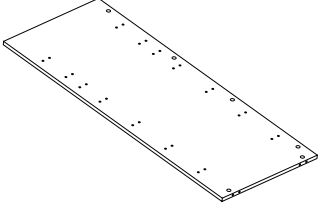
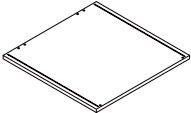
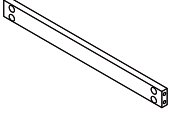
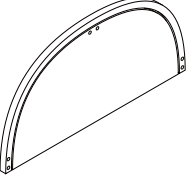
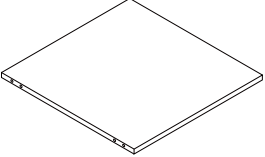
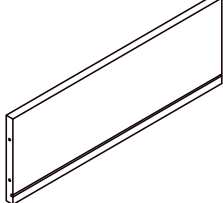
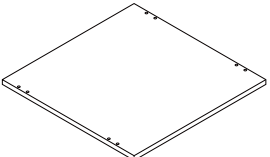
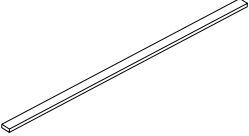
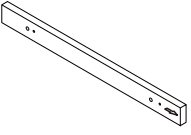
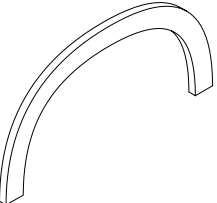
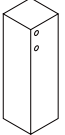
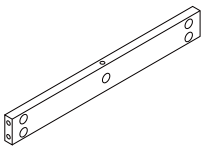
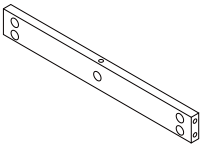
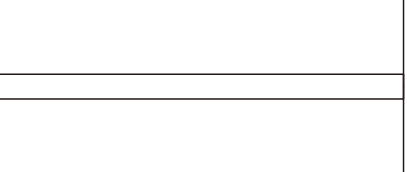
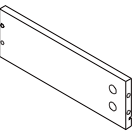
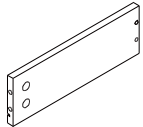
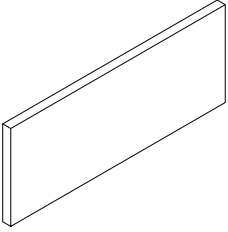
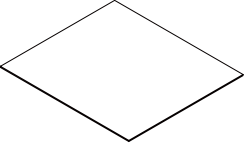


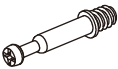
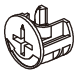
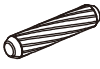
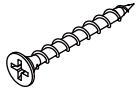
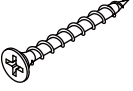

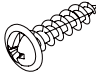
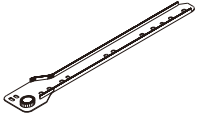
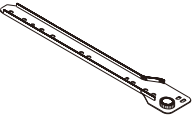
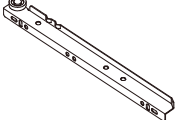
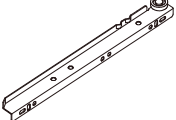
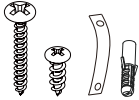
# Parts and Operation Elements

		
① 1pc	② 1pc	③ 1pc
		
④ 1pc	⑤ 3pcs	⑥ 1pc
		
⑦ 5pcs	⑧ 1pc	⑨ 1pc
		
⑩ 2pcs	⑪ 2pcs	⑫ 1pc
		
⑬ 4pcs	⑭ 2pcs	⑮ 2pcs
		
⑯ 1pc	⑰ 1pc	⑱ 1pc

# Parts and Operation Elements

			
①9	1pc	②0	1pc

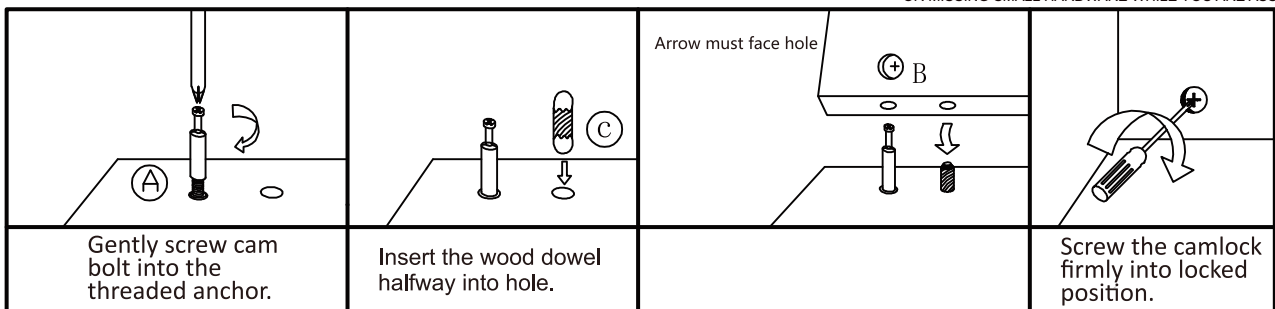
# Hardware

			
A 70+2pcs	B 70+2pcs	C 42+2pcs	D 8+1pcs
			
E 10+1pcs	F 8+1pcs	G 30+2pcs	CL 1 pc
			
CR 1 pc	DL 1 pc	DR 1 pc	H 1 pc





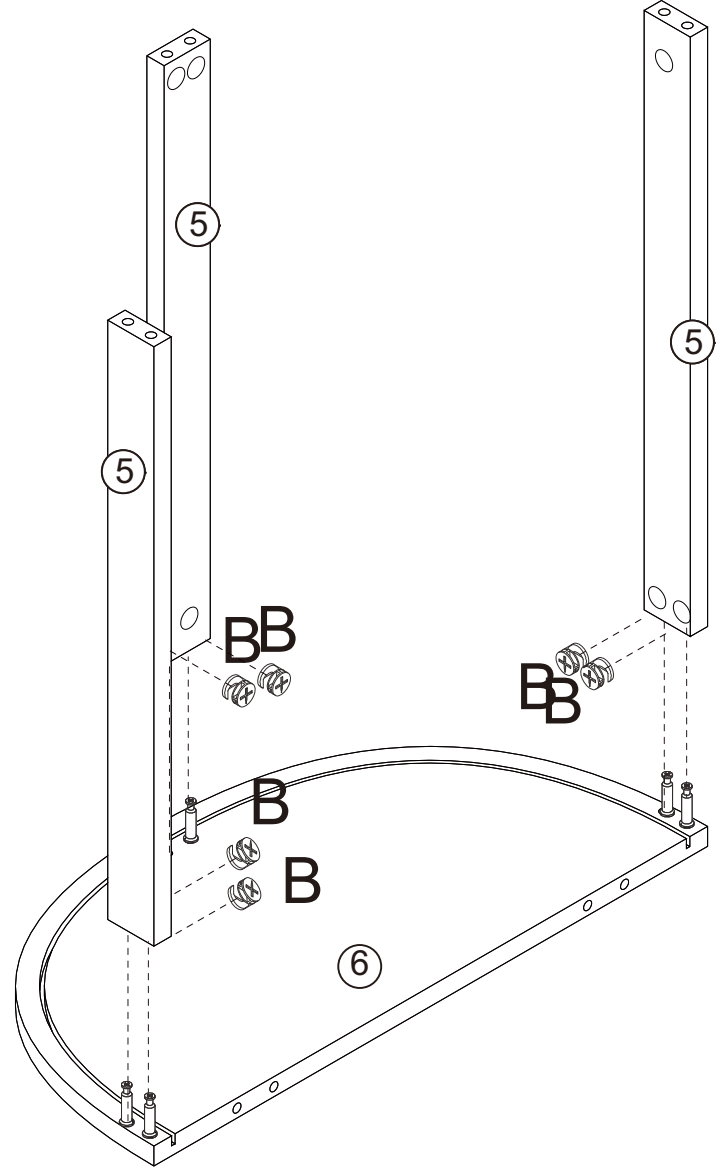
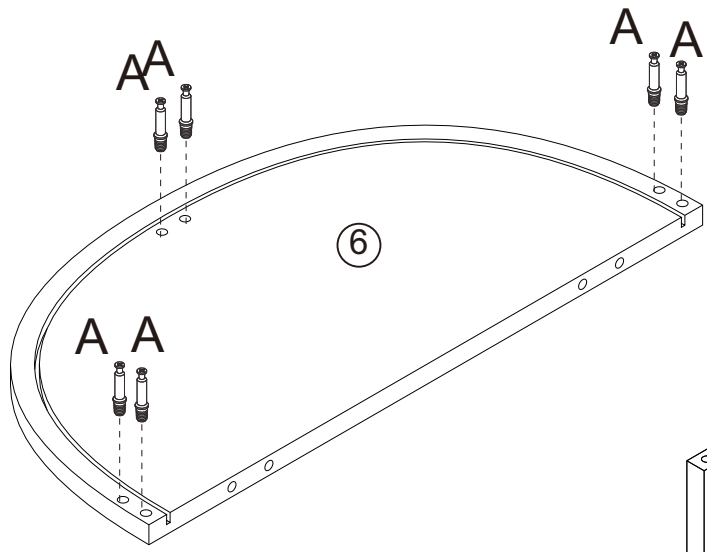
SPARE BAG

THE SPARE BAG INCLUDED EXTRA HARDWARE FOR DAMAGED OR MISSING SMALL HARDWARE WHILE YOU ARE ASSEMBLING

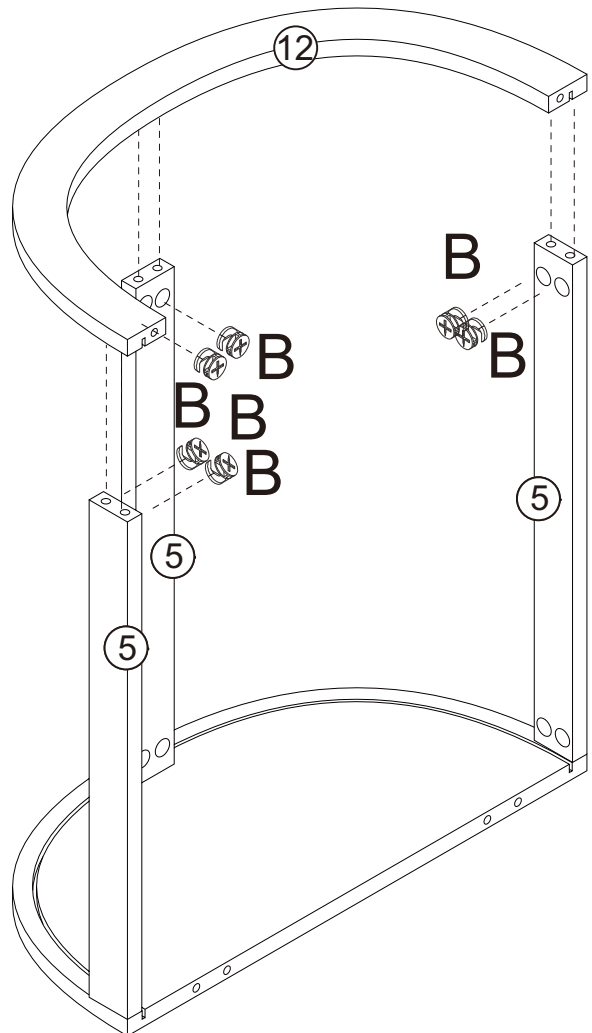
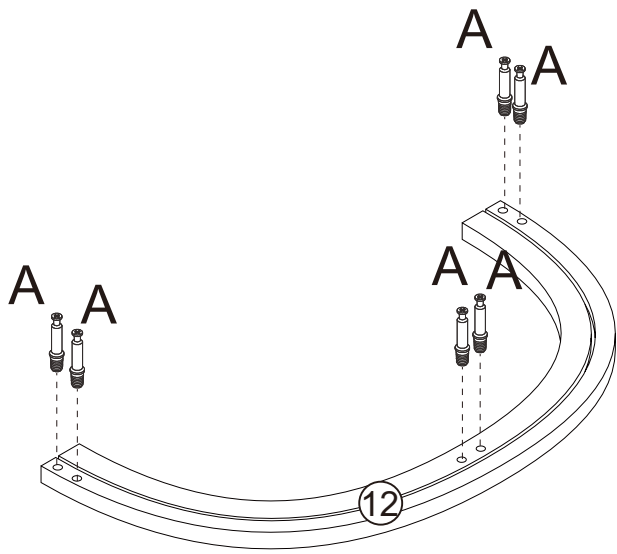
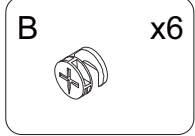
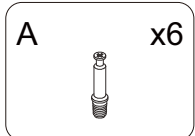


1

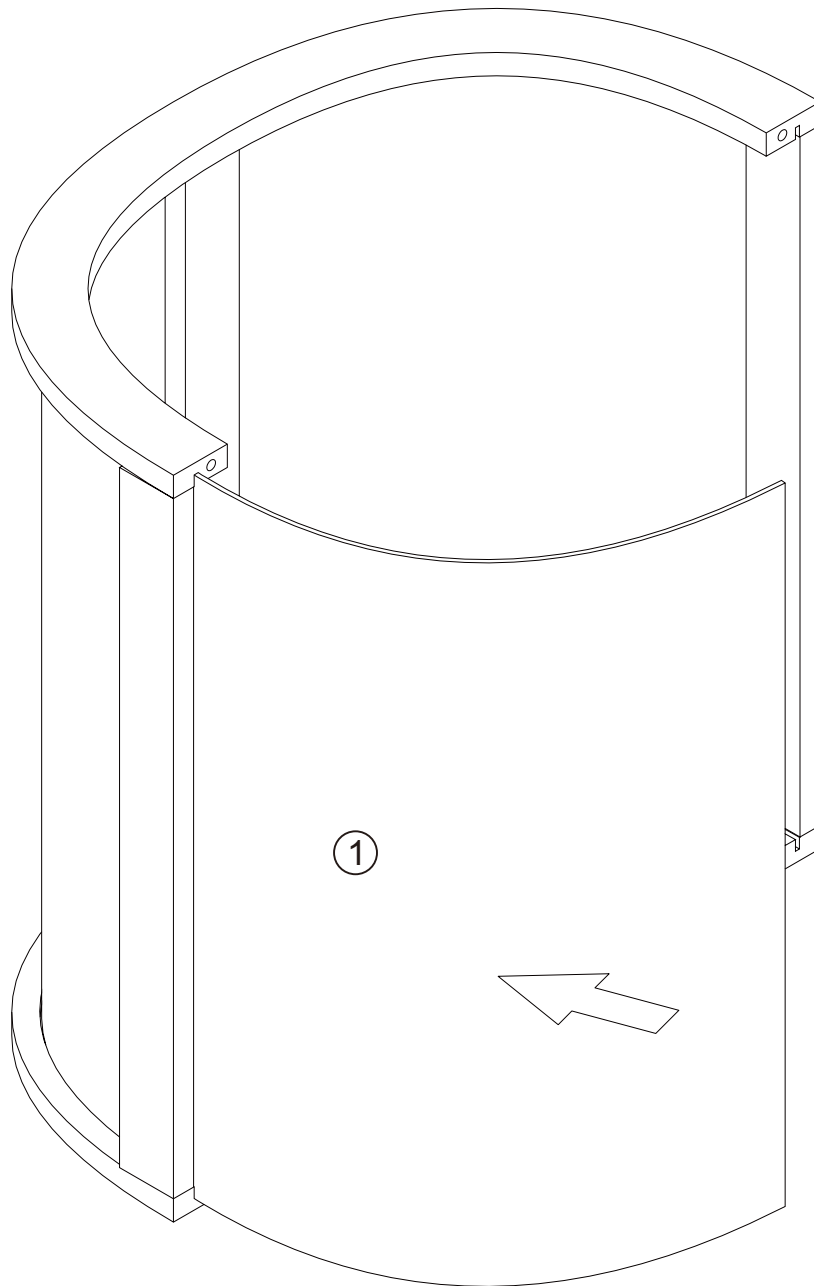
- A x6 
- B x6 



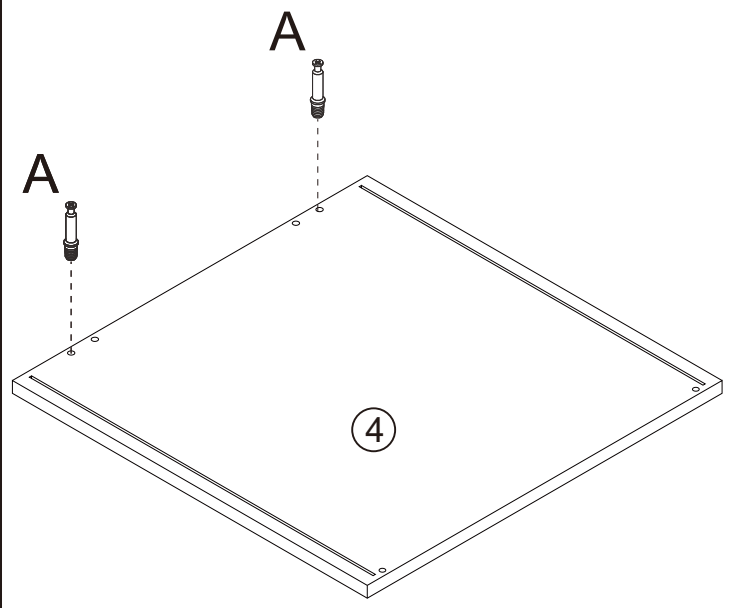
2







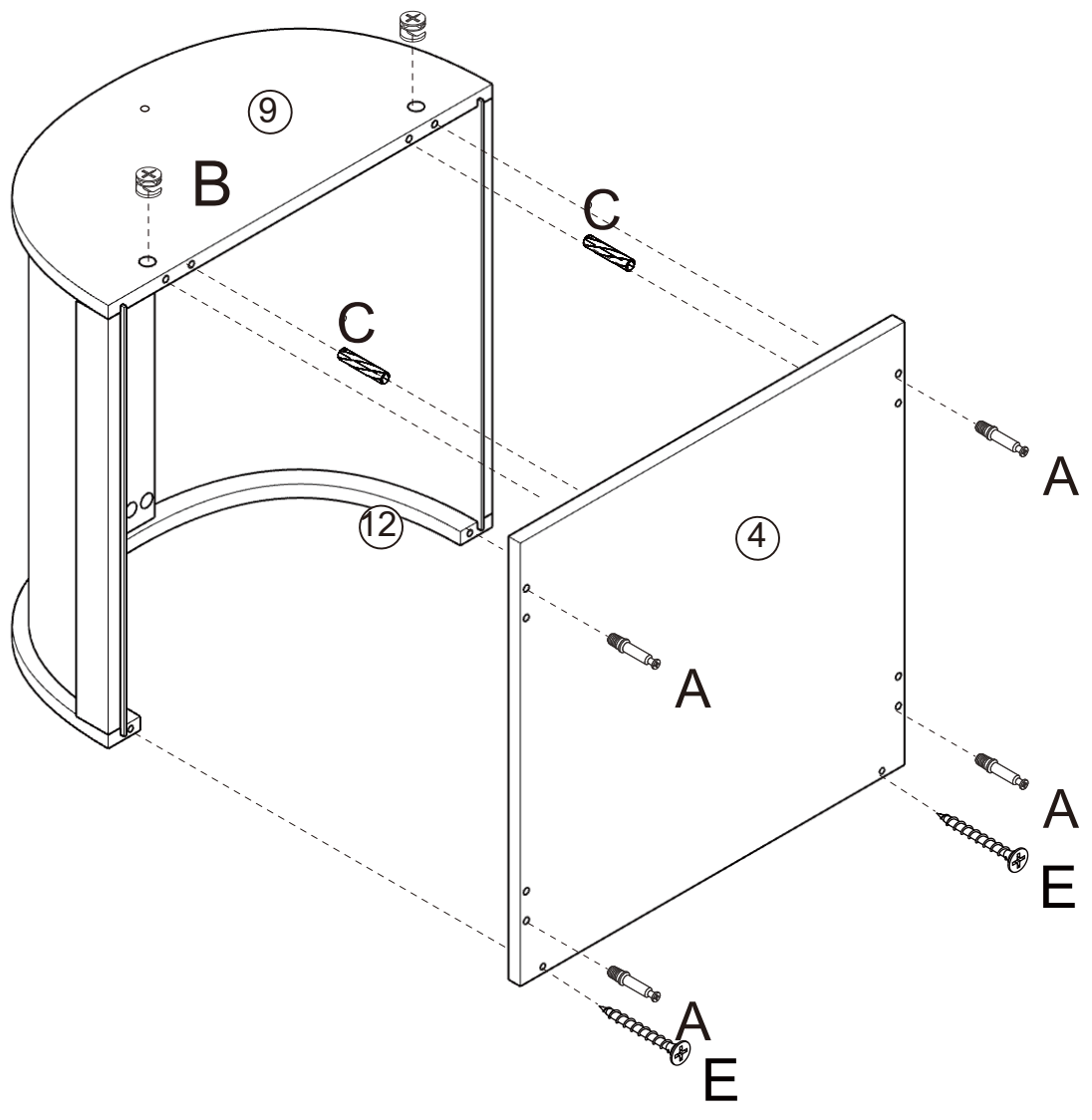
3



4



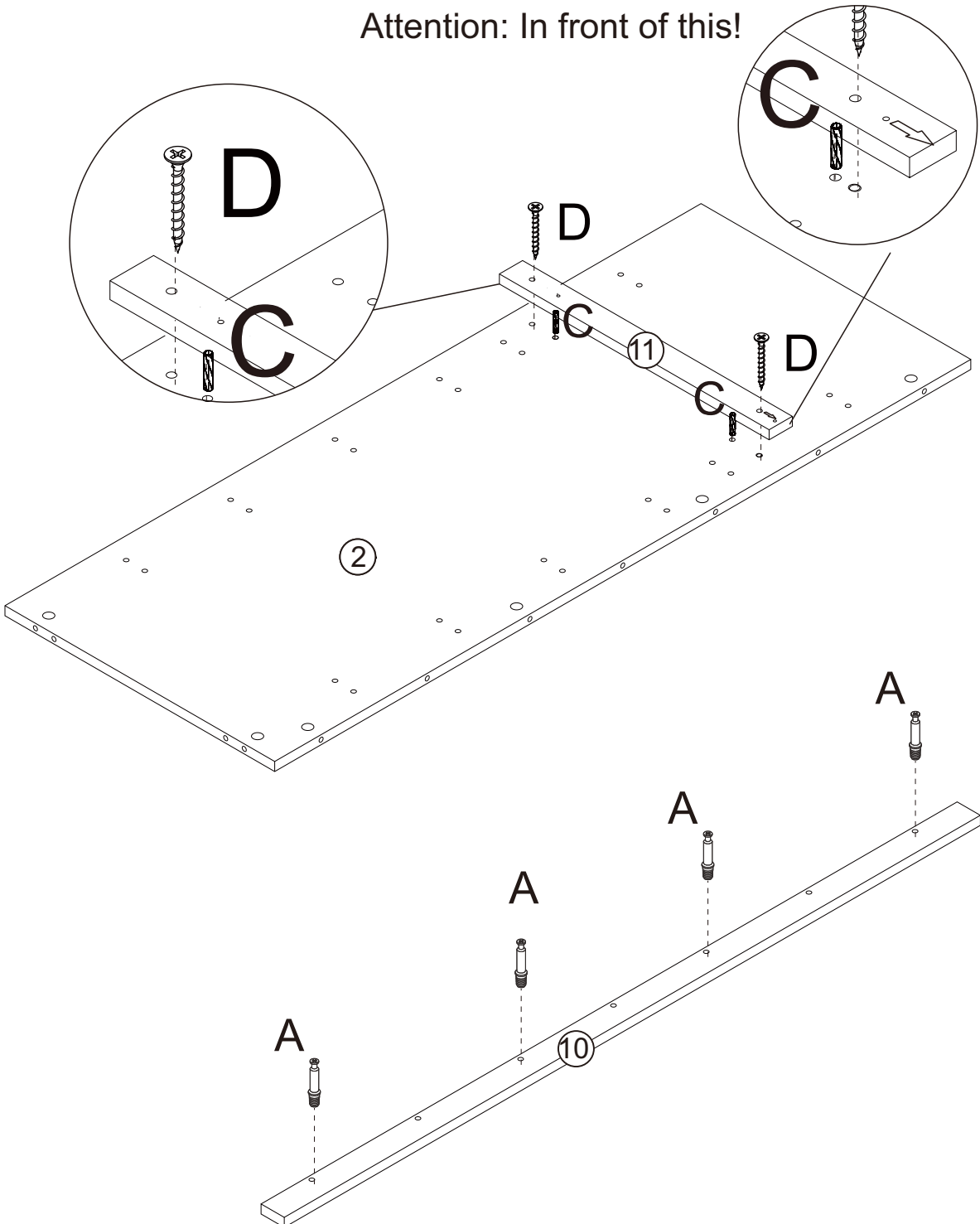
- A x6 
- B x2 
- C x2 
- E x2 



5

Attention: In front of this!

- A x4
- C x2
- D x2



6

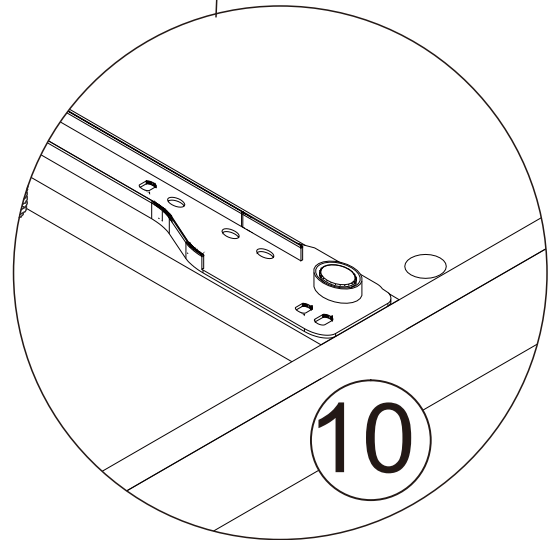
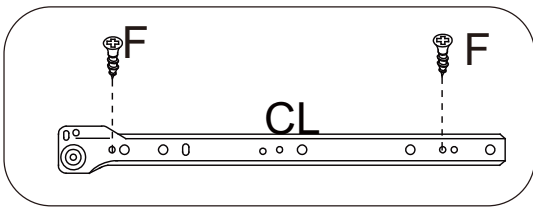
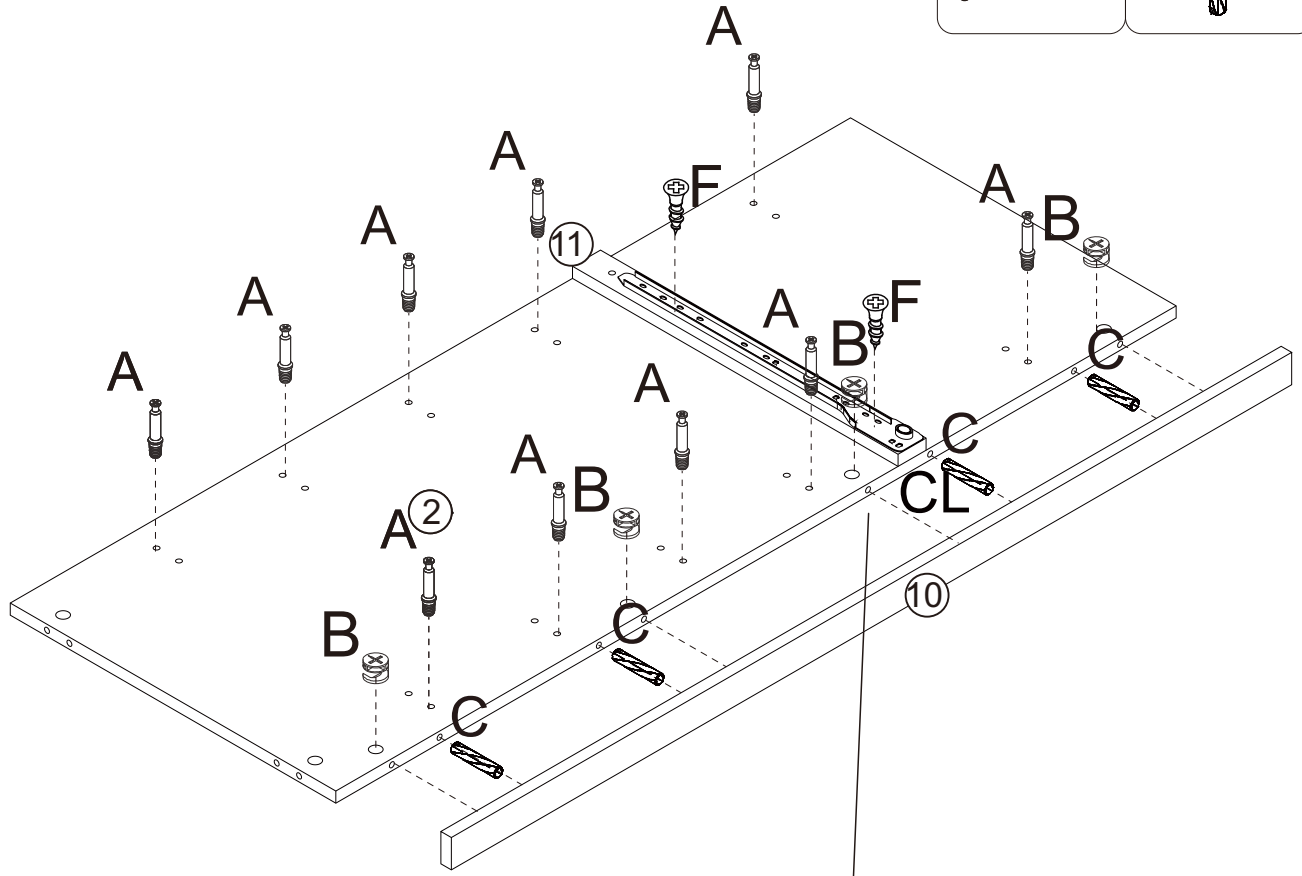
A x10

F x2




B x4

CL x1

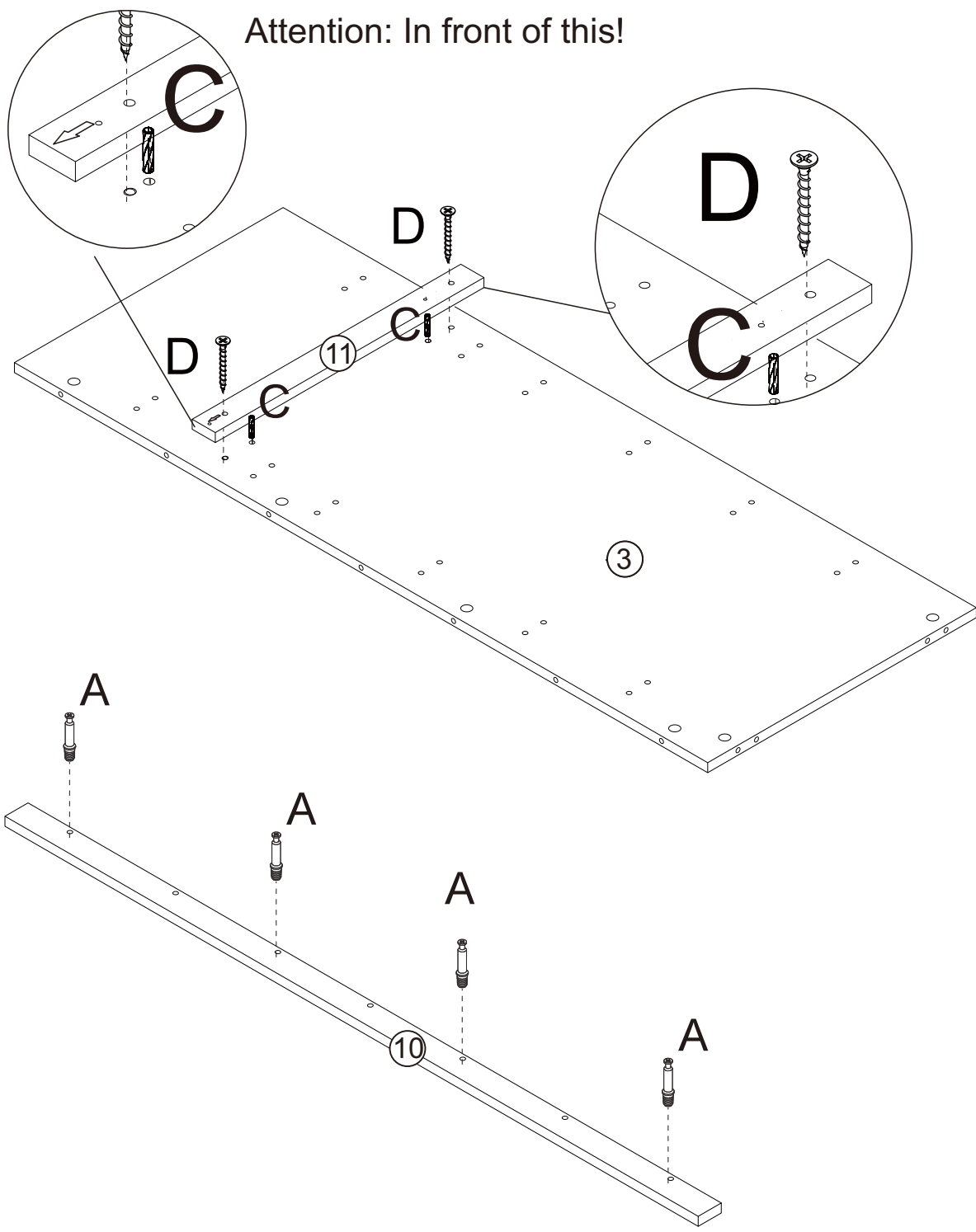
C x4



7

- A x4 
- C x2 
- D x2 

Attention: In front of this!



8

A x10



F x2



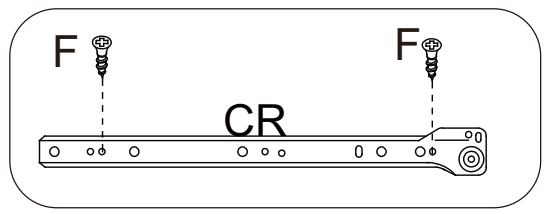
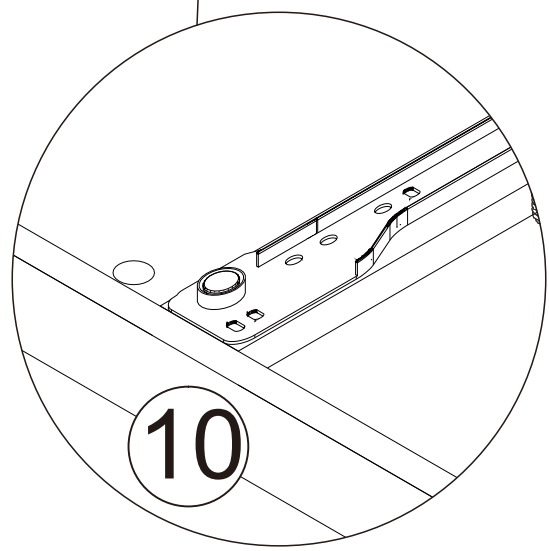
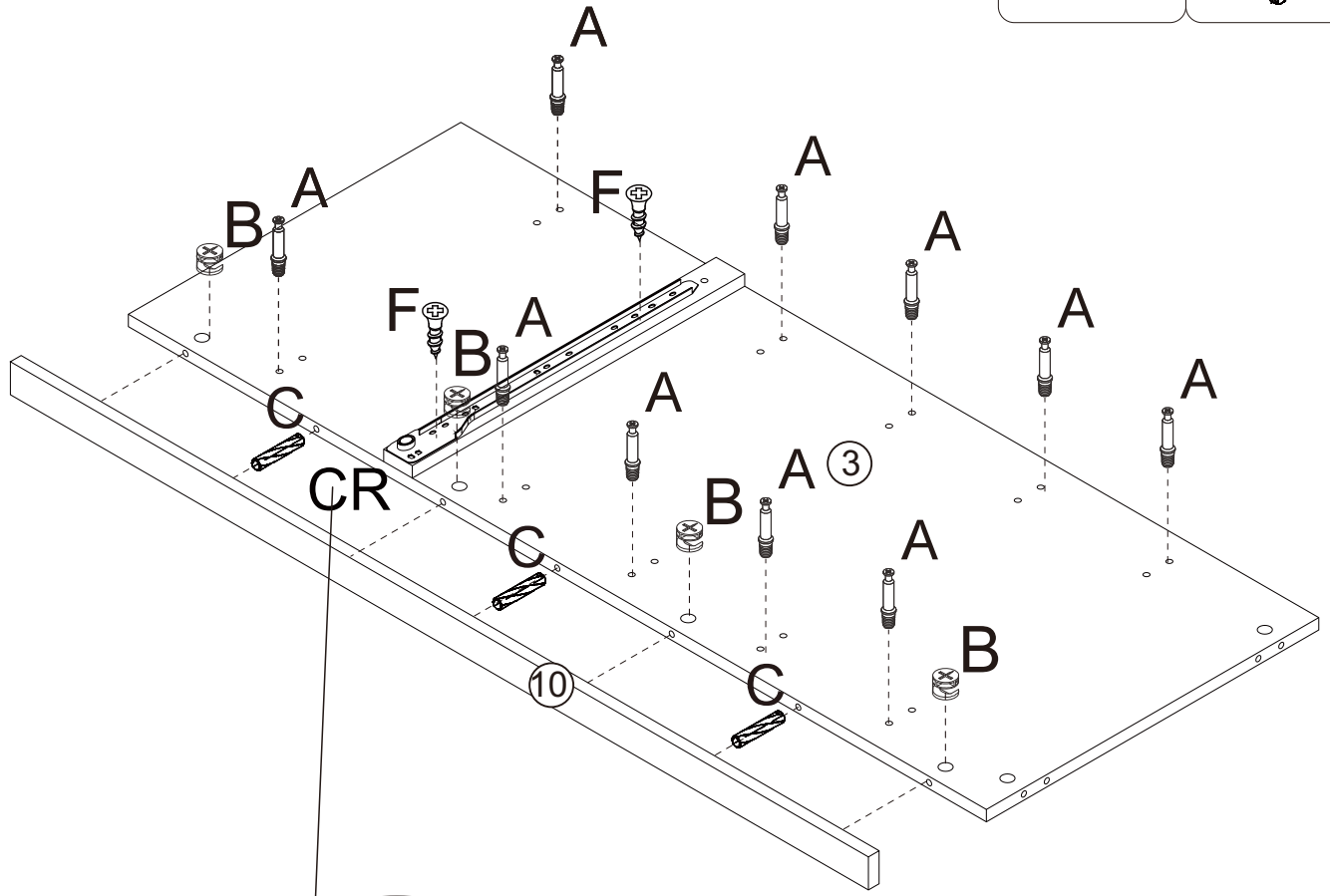
B x4



CR x1



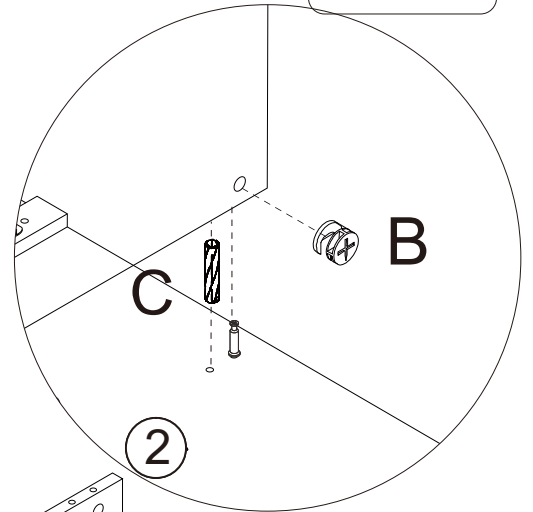
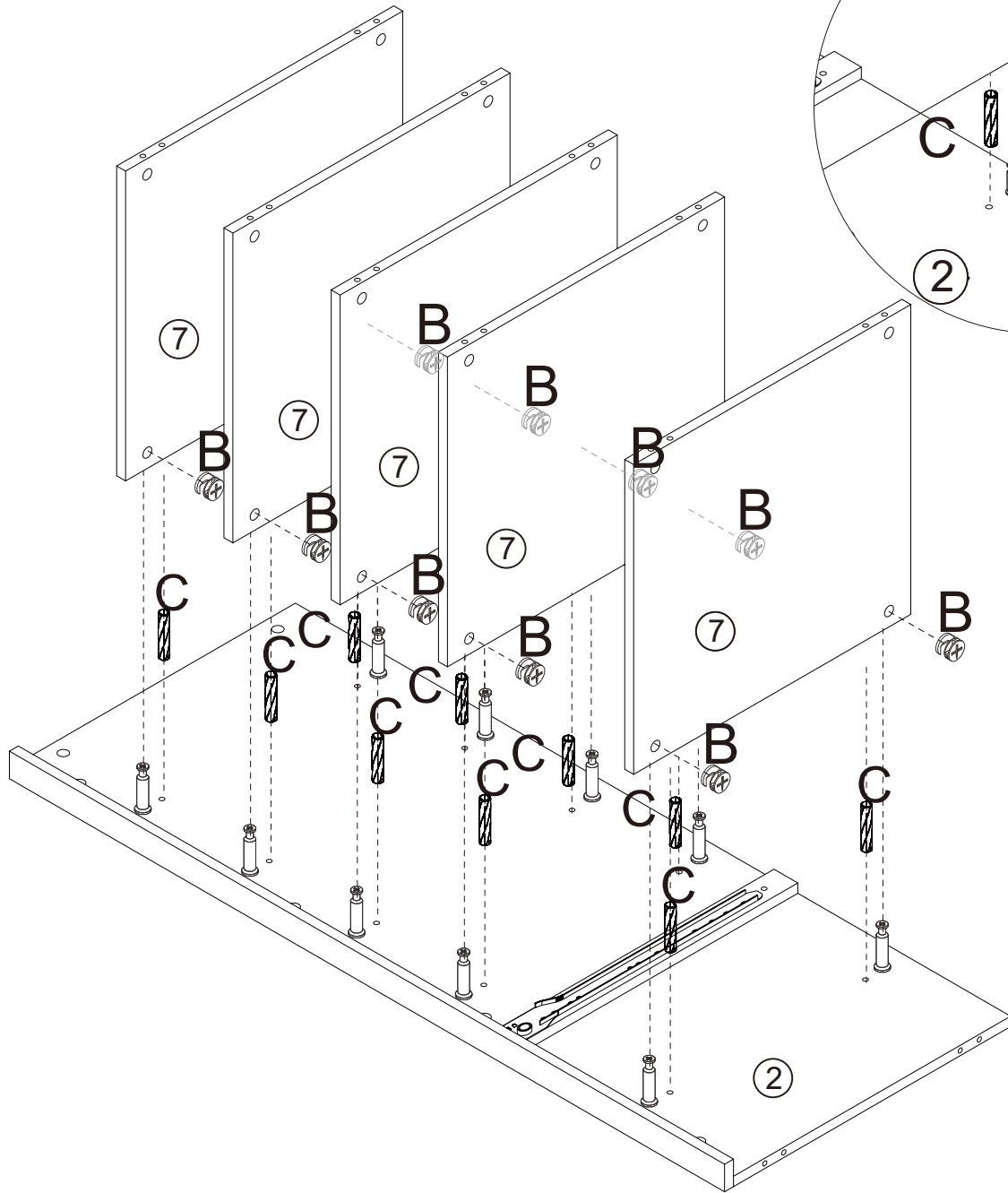
C x4



9

B x10

C x10

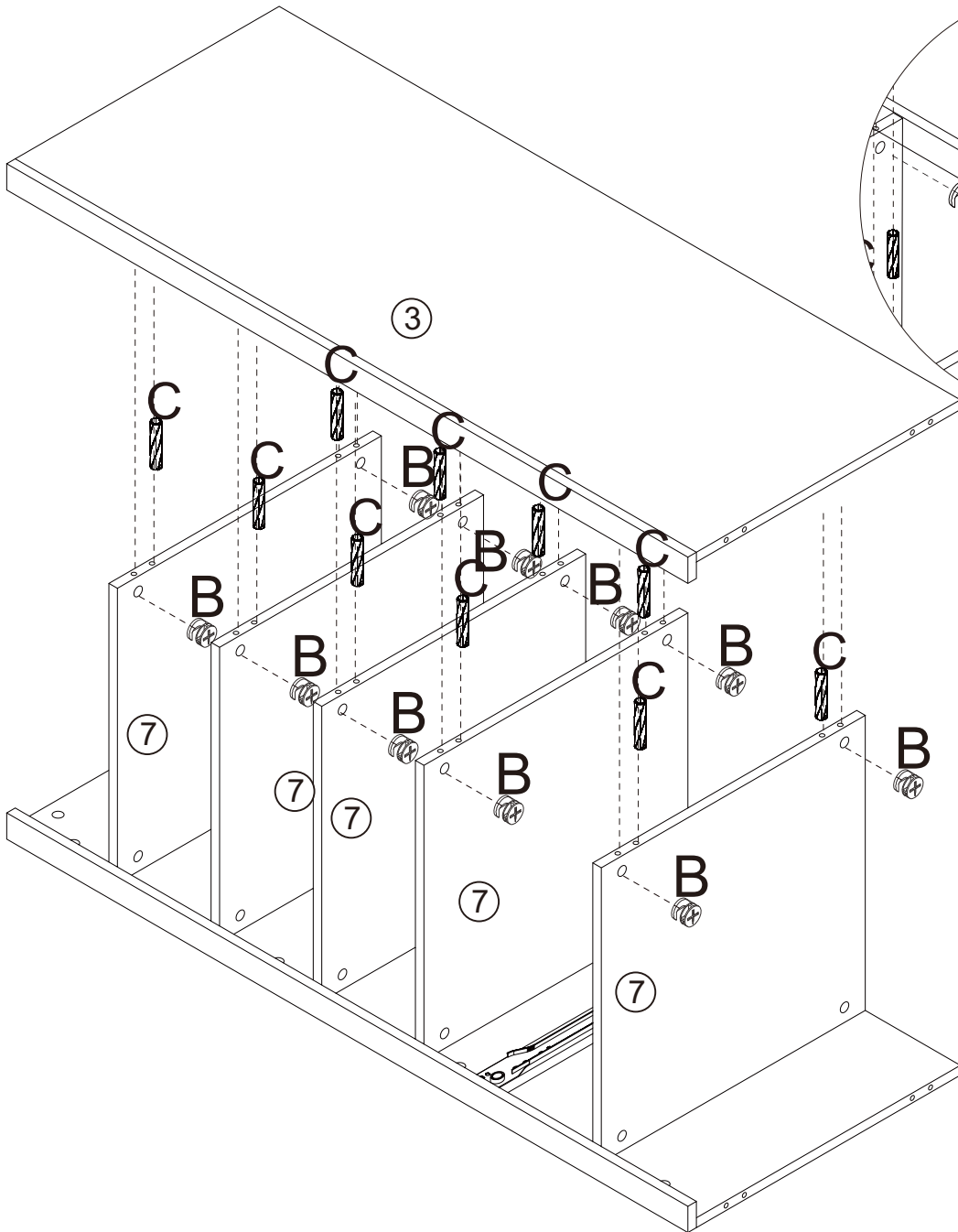
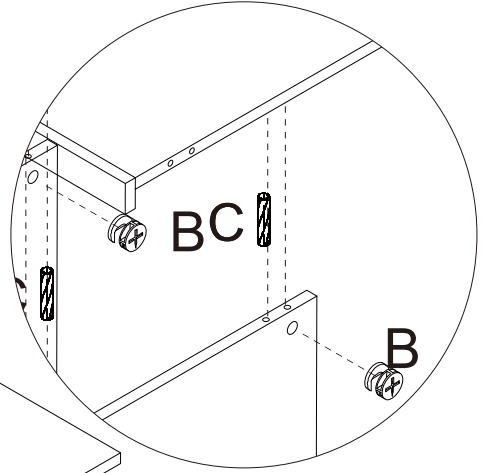


10

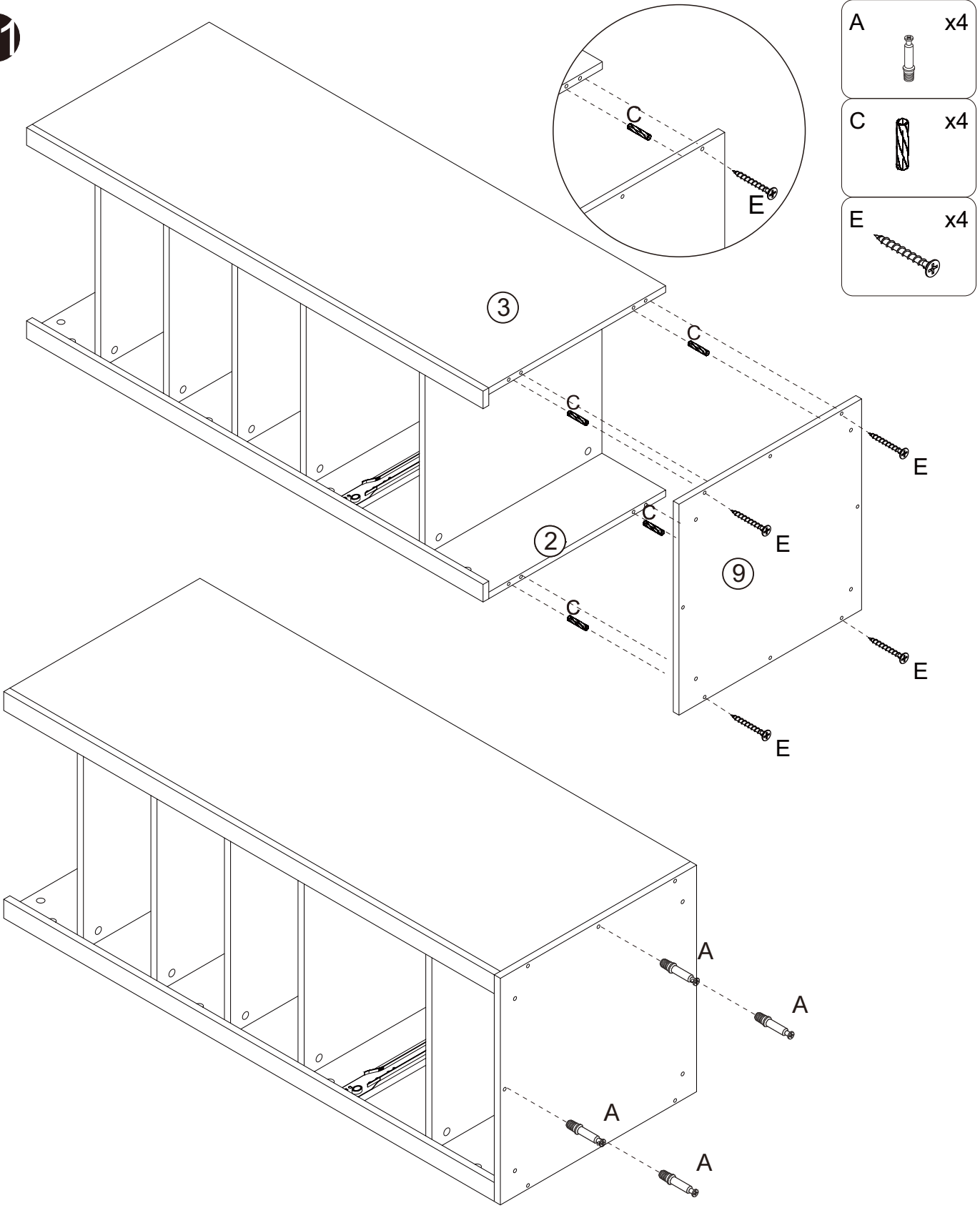
B x10



C x10

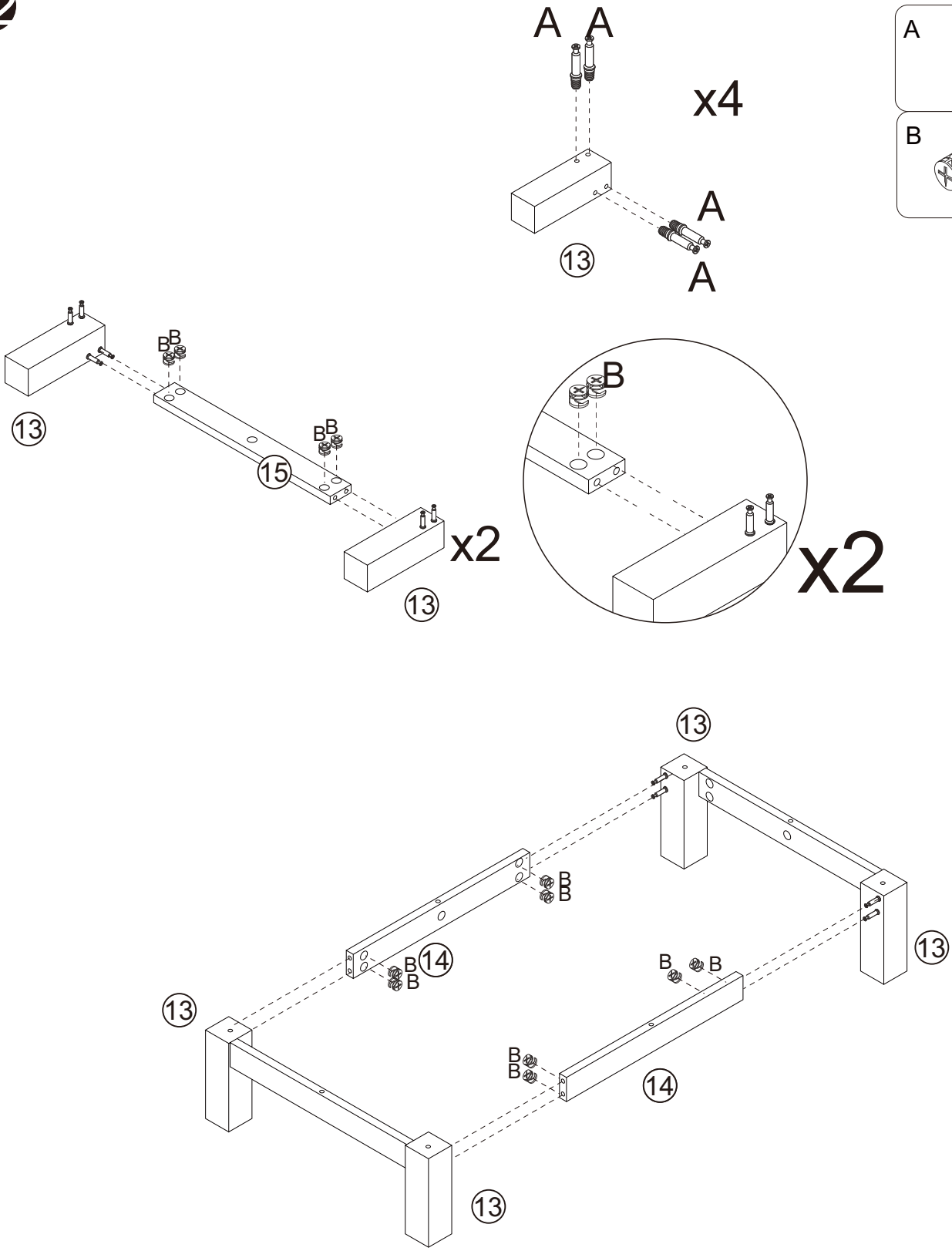


11



12

A	x16
B	x16

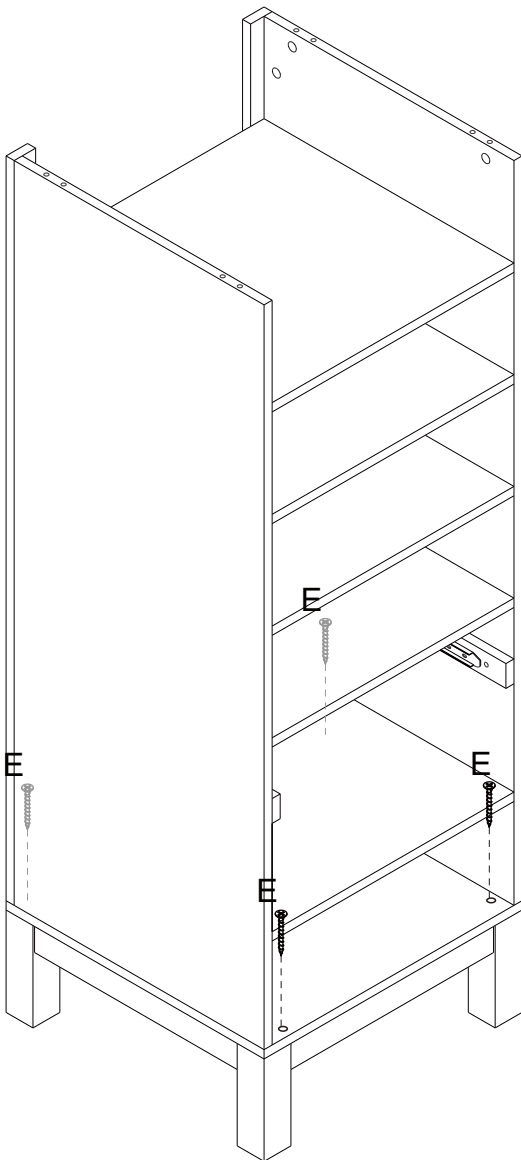
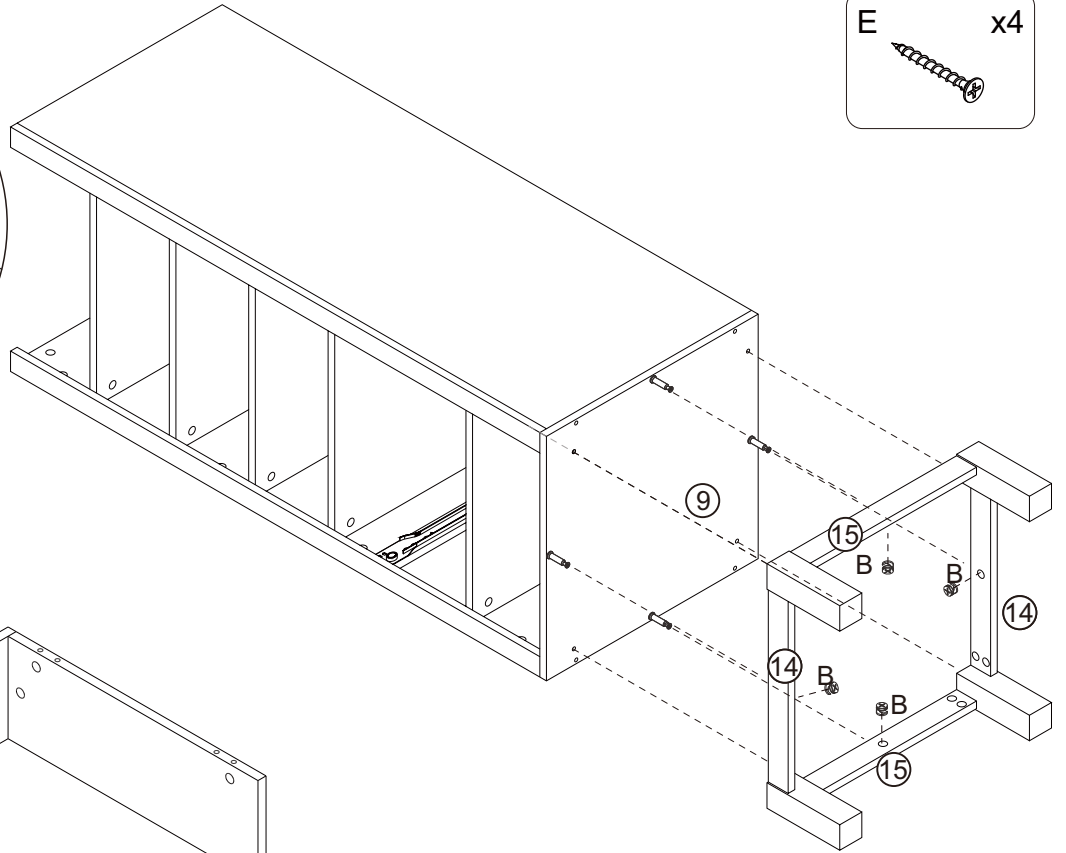
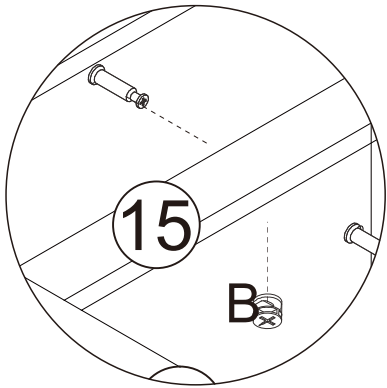


13



B x4

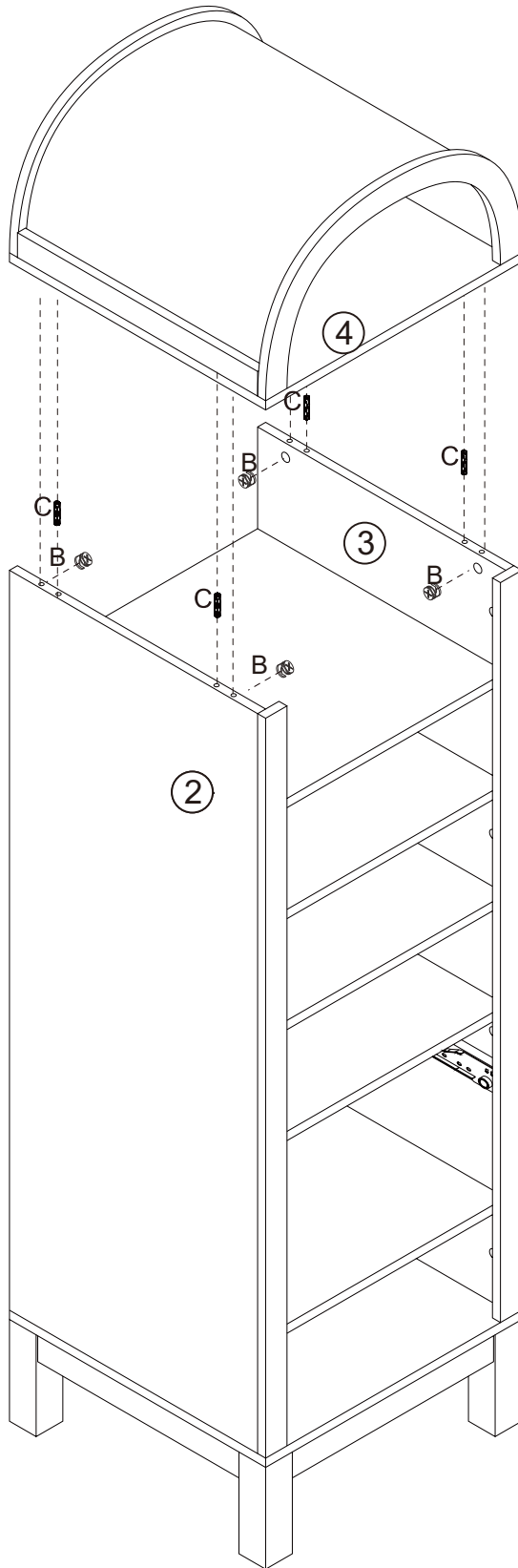


E x4





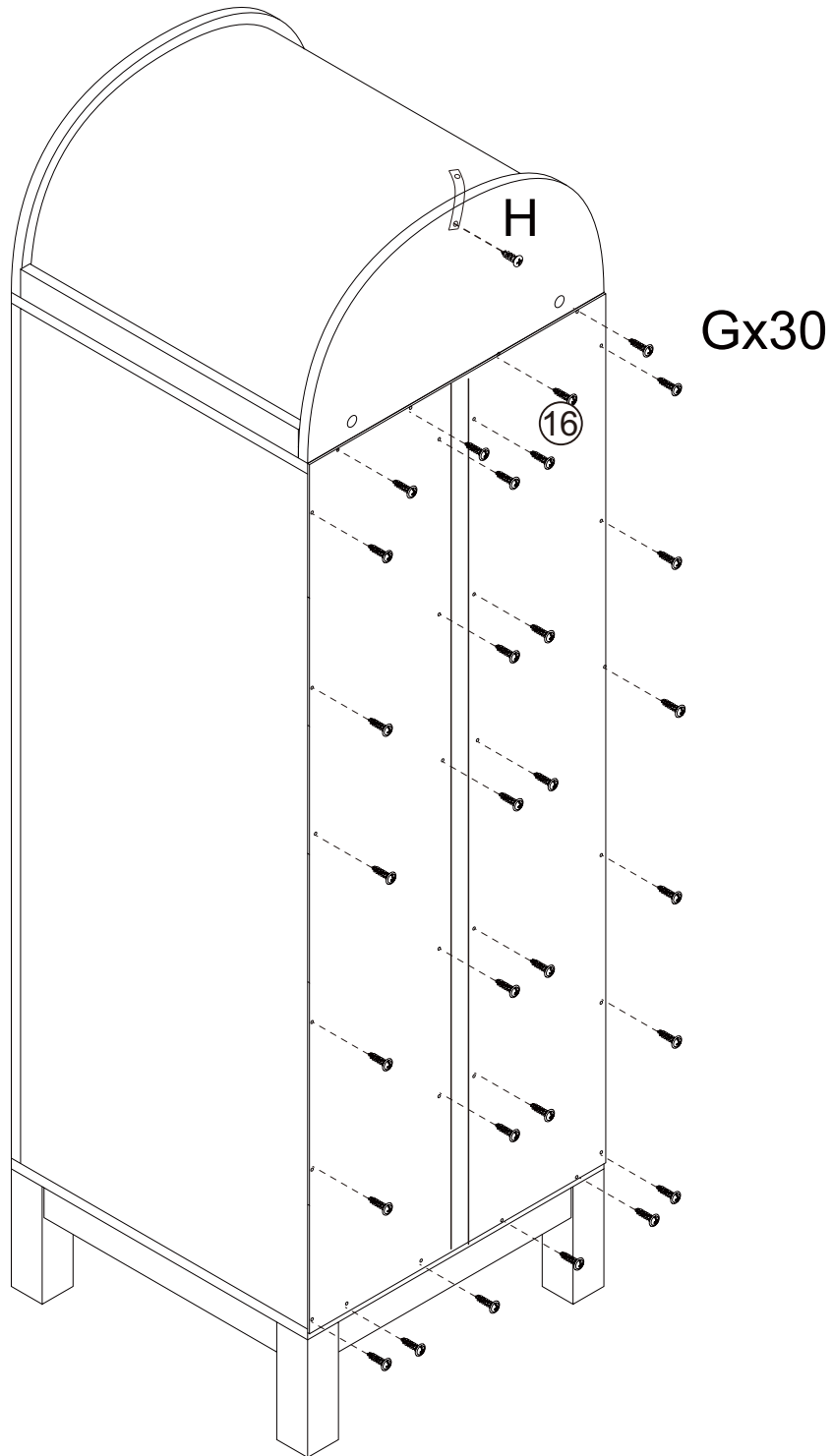
14

B	x4
	
C	x4
	



15

- G x30  

- H x1  




16

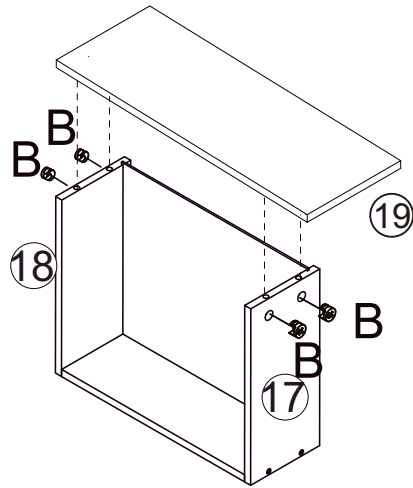
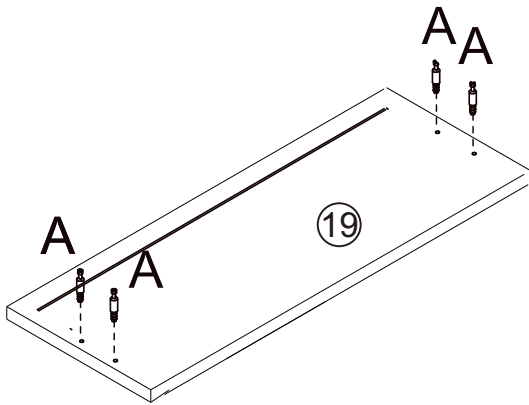
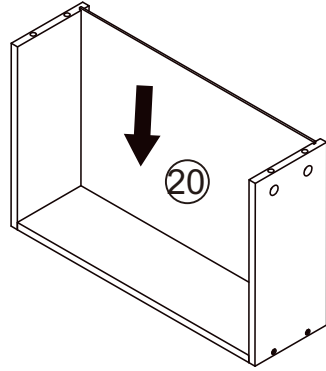
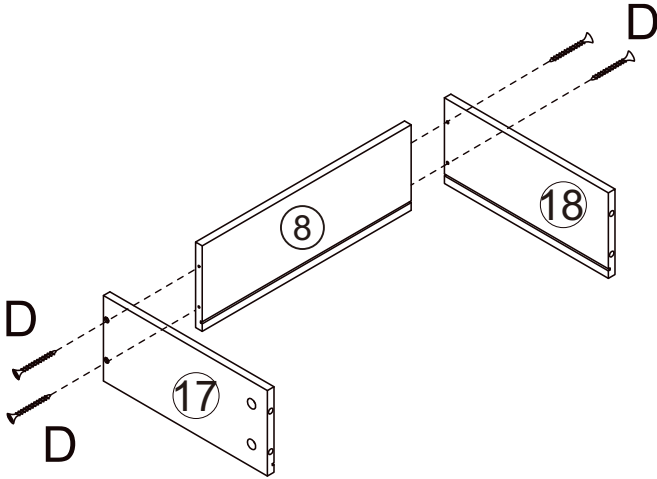
A x4



B x4



D x4

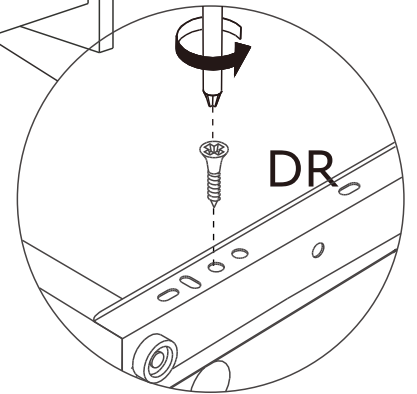
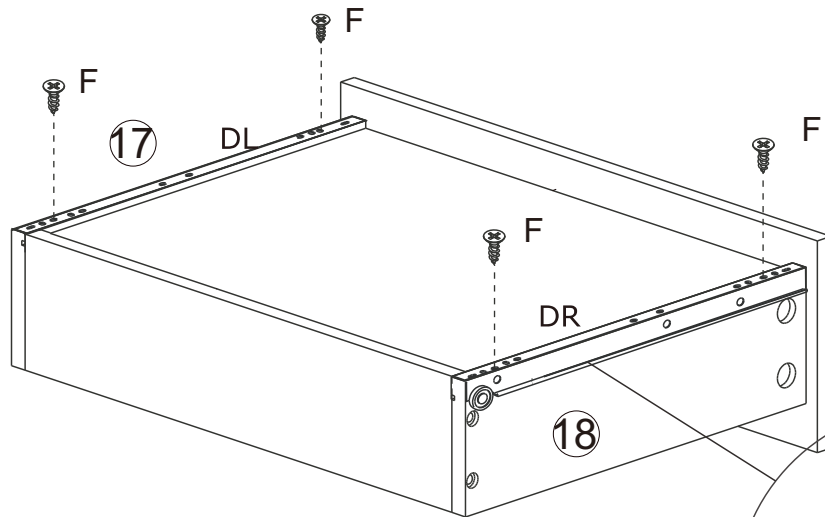
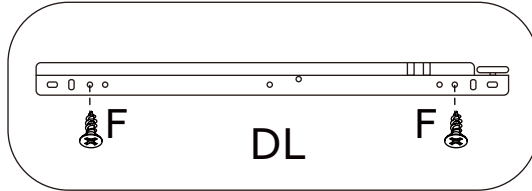
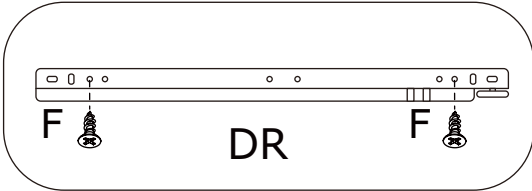


17

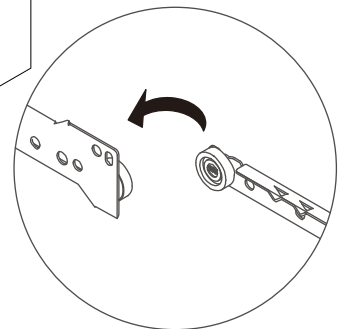
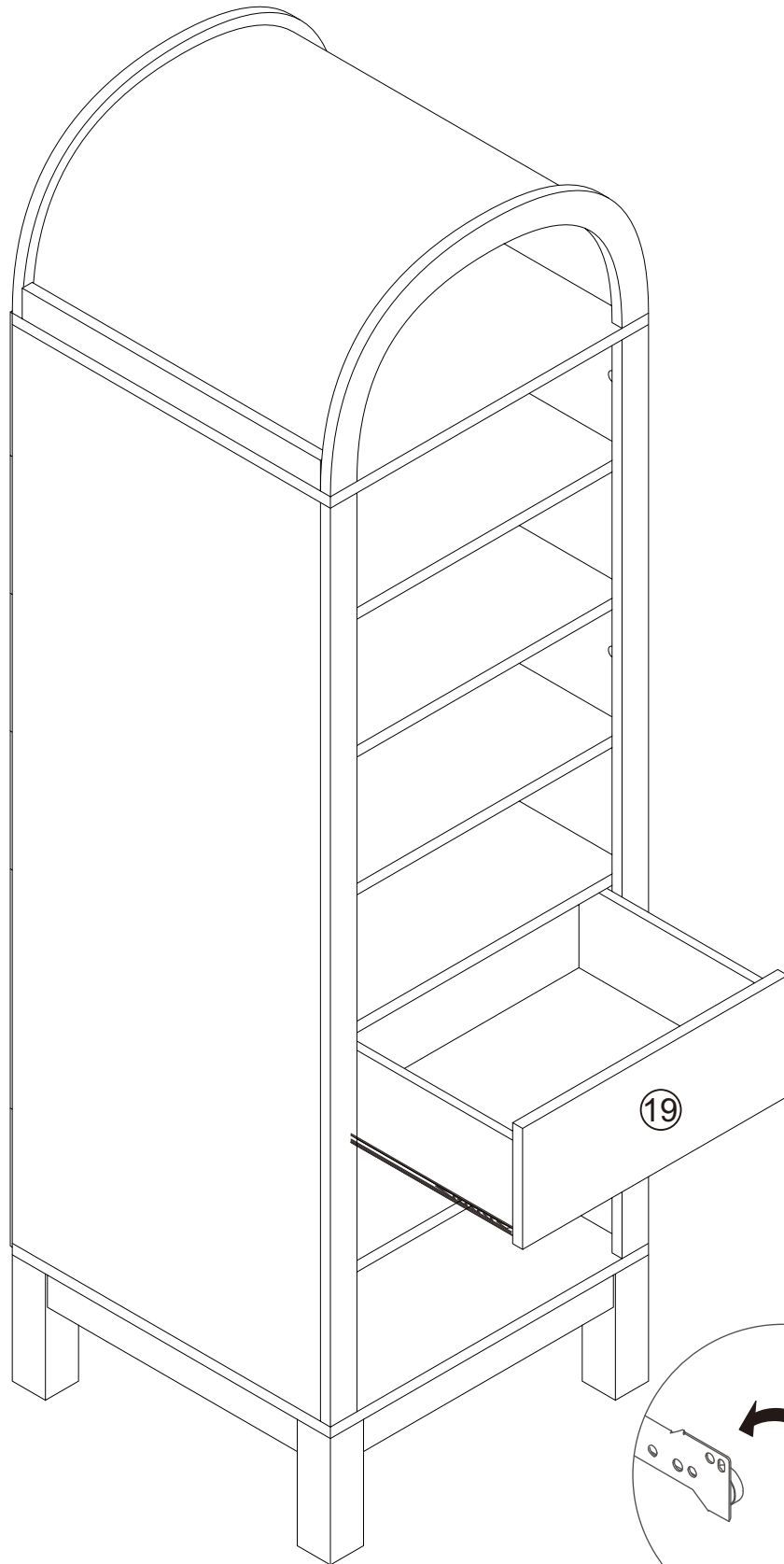
F x4

DL x1

DR x1



18



19

