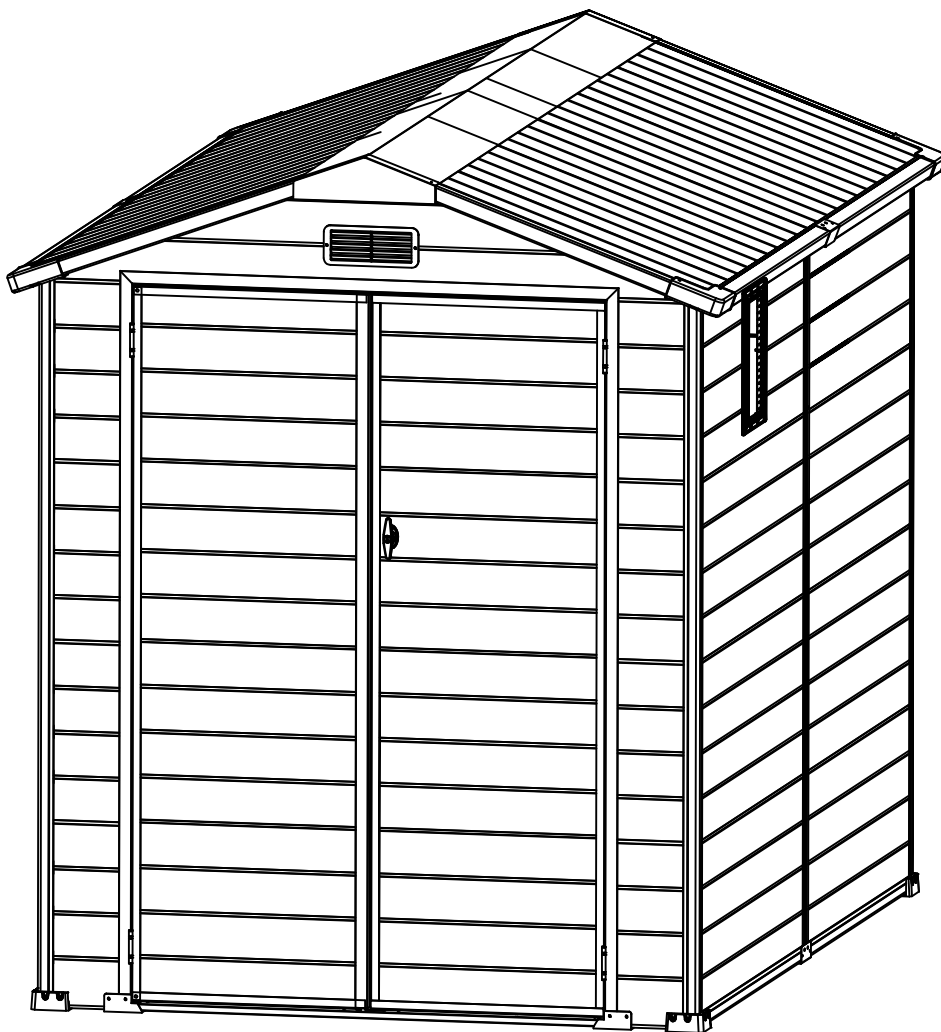


Storage Shed 6x6FT

ASSEMBLY INSTRUCTIONS



Important Reminder: Please Keep for Future Reference – Read Carefully

1. Pre-Installation Notes

Contact the local government authorities in advance to confirm whether building approval is required.

2. Manual Overview

This manual contains assembly instructions. Before starting the operation, please carefully read all the instructions and follow the steps in sequence to ensure the correct assembly effect.

3. Time and Personnel Requirements

It takes approximately 3-4 hours and requires the collaboration of multiple people to assemble this product.

4. Tools and Safety Precautions

Prepare the required tools. Wear gloves correctly, use tools properly, and pay attention to safety.

5. Weather and Site Precautions

Ensure the installation date you choose has dry weather and low wind. Do not attempt to assemble this product outdoors in strong winds, as this will increase the risk of panel damage or personal injury. Avoid muddy ground. Assemble with the collaboration of two or more people whenever possible.

6. Advance Planning: Site Selection

The installation site should be as far away from tall trees as possible. Leaves need regular cleaning, and broken branches may pose potential safety hazards.

7. Important Reminders

Prepare appropriate tools and safety protective equipment. It is recommended to lay out all parts first, check for completeness before starting assembly. If there is a risk of scratches, lay cloth or plastic film on the ground. Tighten all fasteners carefully to ensure no omissions. Check if the frame is square and vertical.

8. Detailed Assembly Steps

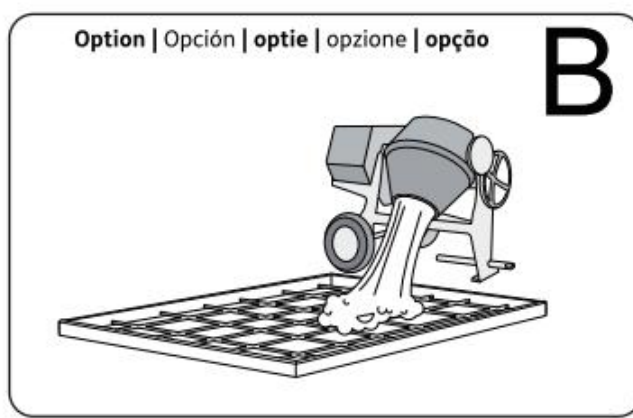
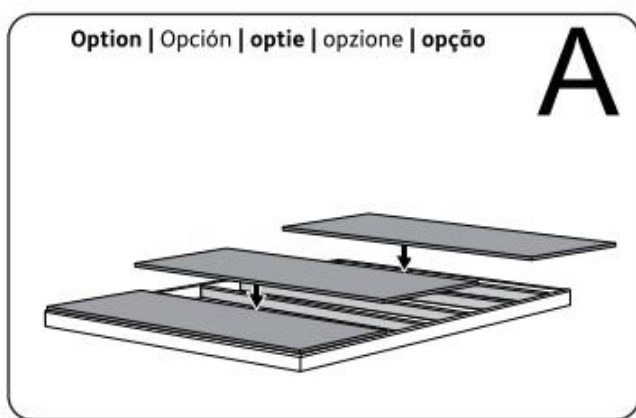
Place the panel with the flat side facing up, tap it gently with a hammer to make the panel fit tightly and be fully installed in place (this prevents water leakage), and then fix it with screws. It is recommended that three or more people operate this step to ensure the smooth progress of assembly. Note: All panels have a front and a back, and are equipped with card slots. Align the panels during installation and push them in firmly; if they cannot be pushed in, stand the panels upright and adopt the sliding installation method. Important Reminder: Before installing the screws, confirm that the diagonal distance "X" of the door remains consistent.

Site Preparation

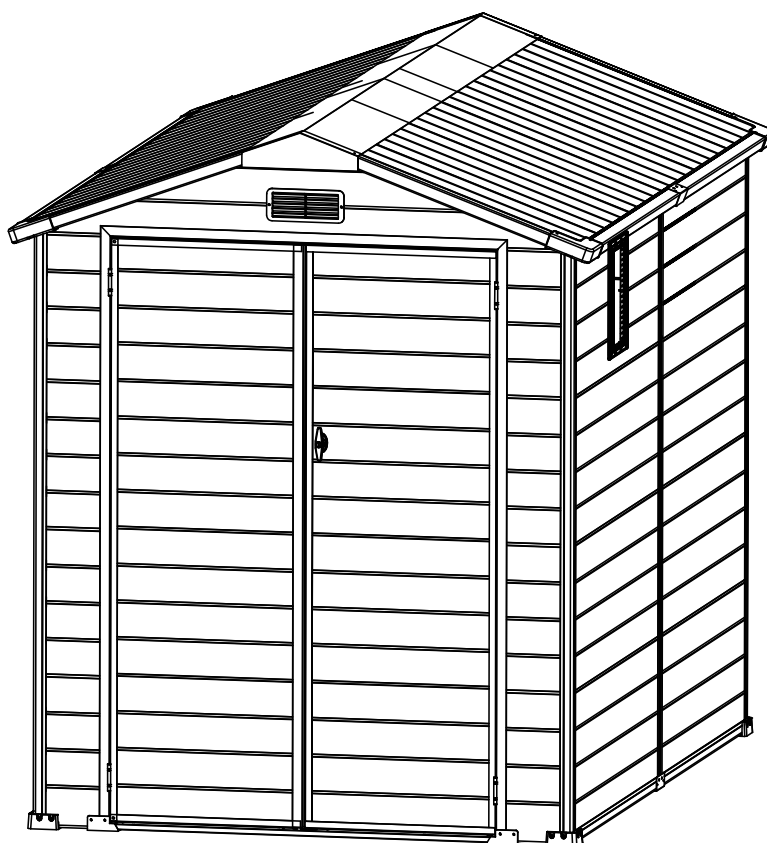
Level the ground



Recommendation: Construct a wooden or concrete base as the foundation.



The external floor dimensions of the product are: 1717mm*1765mm



Before starting assembly:

Please read the maintenance and safety guidelines at the end of this manual.

Before starting or scheduling assembly, check to ensure no parts are missing or damaged.

Remove all parts from the packaging and lay them flat on a clean work surface. Review all assembly instructions.

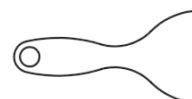
Assemble all parts in accordance with the instructions in this manual.

Do not skip any steps.

Required tools

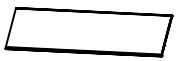
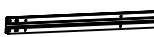

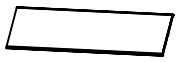


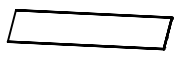
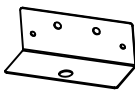
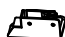
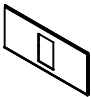

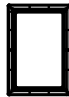

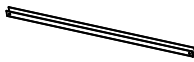




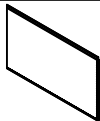
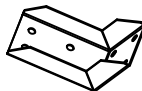
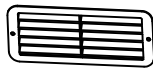
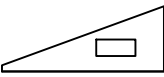

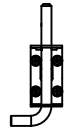
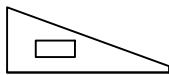


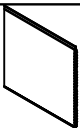
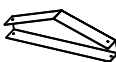
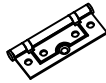
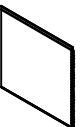
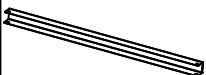

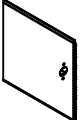
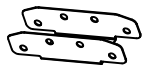









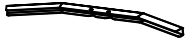






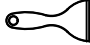




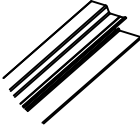
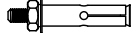




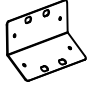


Plastic squeegee

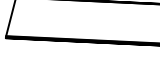

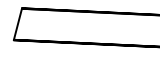












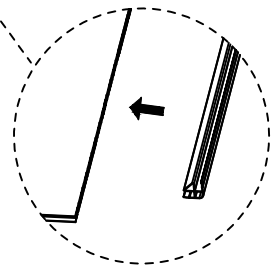
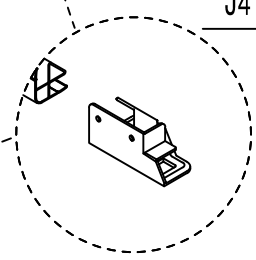
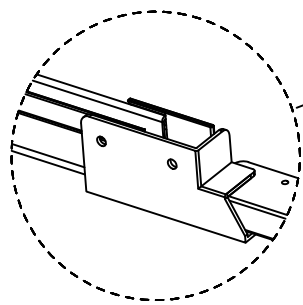
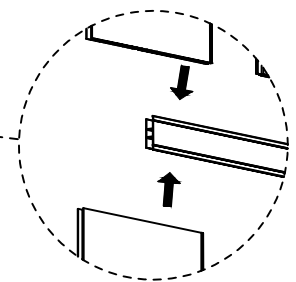
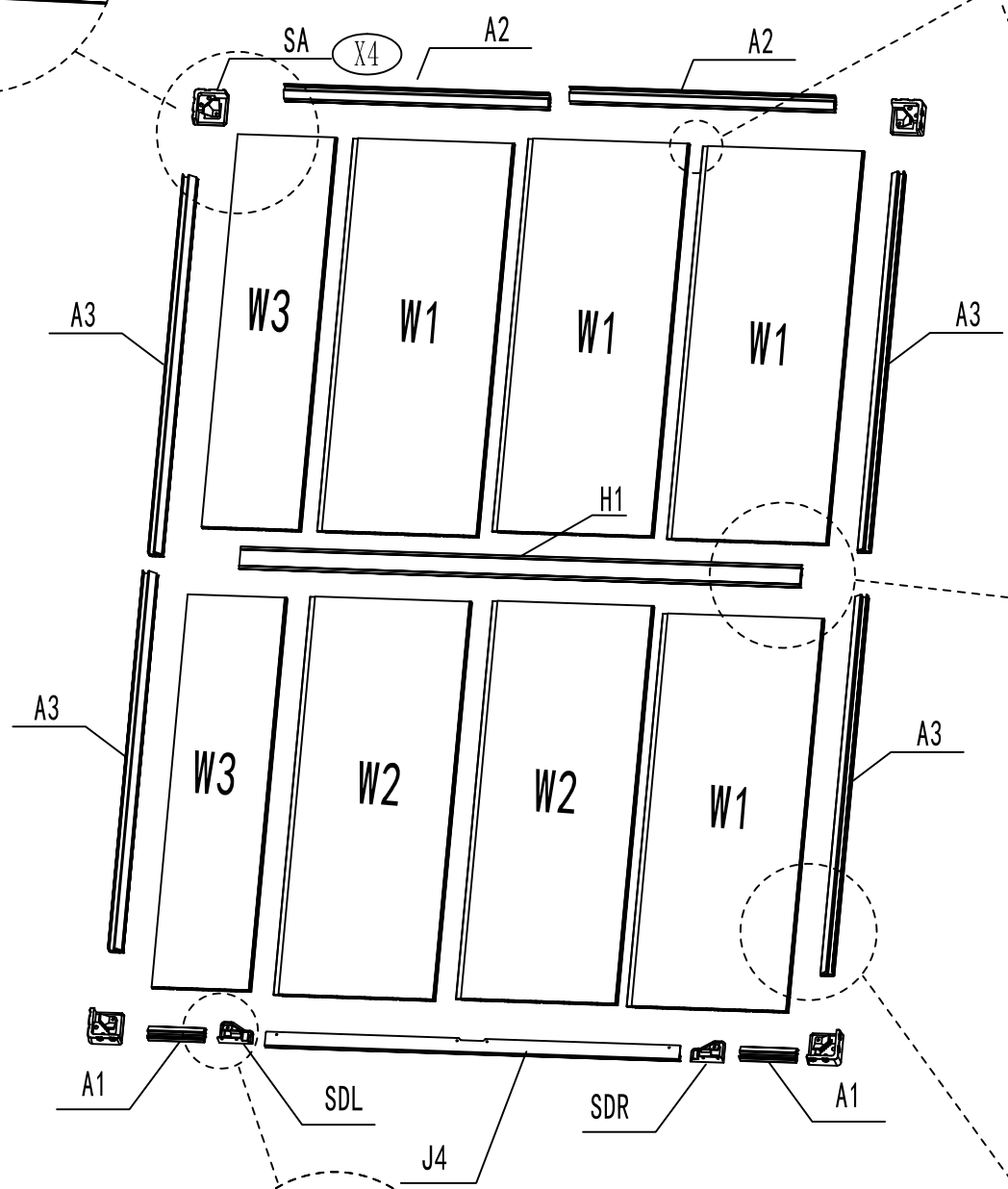
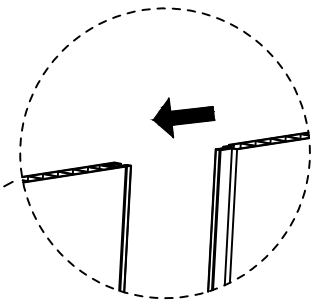
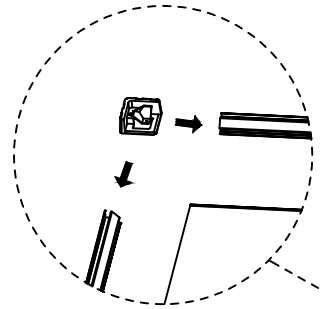
Using a squeegee will help insert the board into the profile more easily.

parts list

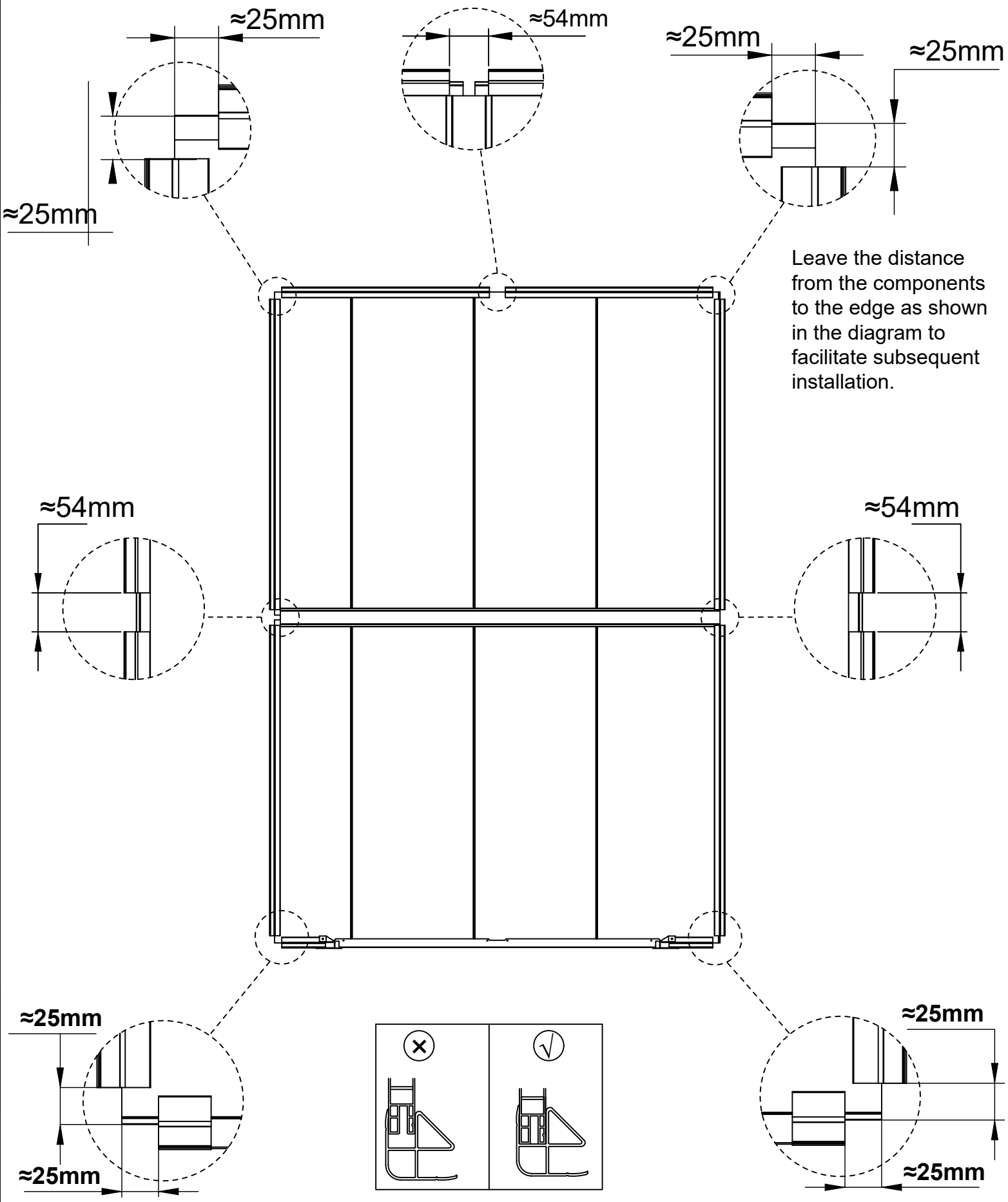
Part	No	Qty		Part	No	Qty		Part	No	Qty	
	W1	18			JW1	3			SA	4	
	W2	2			JW3	1			SDL	1	
	W3	2			J1	5			SDR	1	
	W4	2			J4	1			GC	2	
	W5	8			J5	4			SB	4	
	W6	1			J6	3			PC1	2	
	W7	16			J7	2			GF	3	
	W8	1			J8	2			CX	2	
	W9	1			J9	4			MS2	1	
	W10	5			J11	2			JL1	4	
	W11	2			J13	1			T1	268	
	W12	1			J14	1			T3	92	
					J15	4			T5	42	

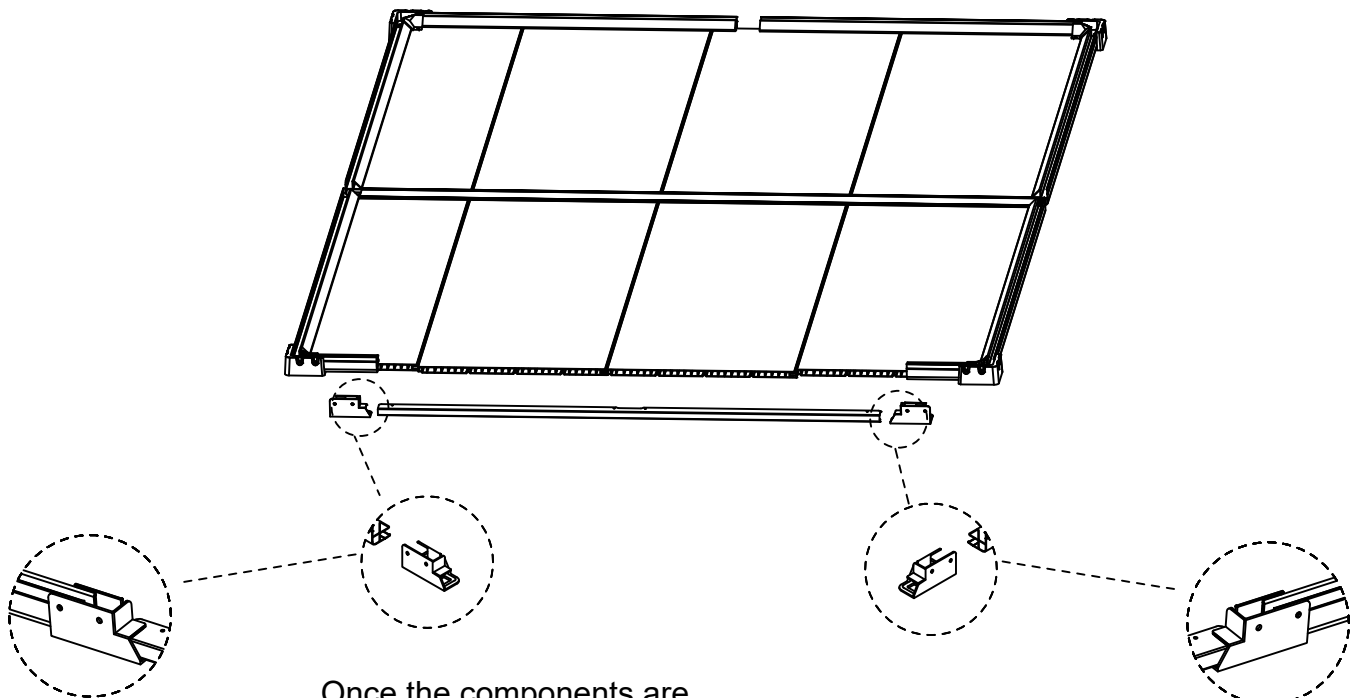
	A1	2			J16	1			T6	16	
	A2	2			J17	1			T7	2	
	A3	4			CXP	1			M4-1	12	
	A4	4			GJ	2			SF	1	
	H1	1			MSP	1			M4-2	2	
	G1	4			L1	1			PZ	4	
	G2	4			L2	1			PZ1	4	
	/	/			L3	1			ZC1	3	
	/	/			L4	1			ZC2	4	
	/	/			/	/			/	/	
	/	/			/	/			/	/	
	/	/			/	/			/	/	

4PCS 	2PCS 	2PCS 	2PCS 	4PCS 	2PCS 
W1 	W2 	W3 	A2 	A3 	A1 
4PCS SA	1PCS SDL	1PCS SDR	1PCS J4	H1 	



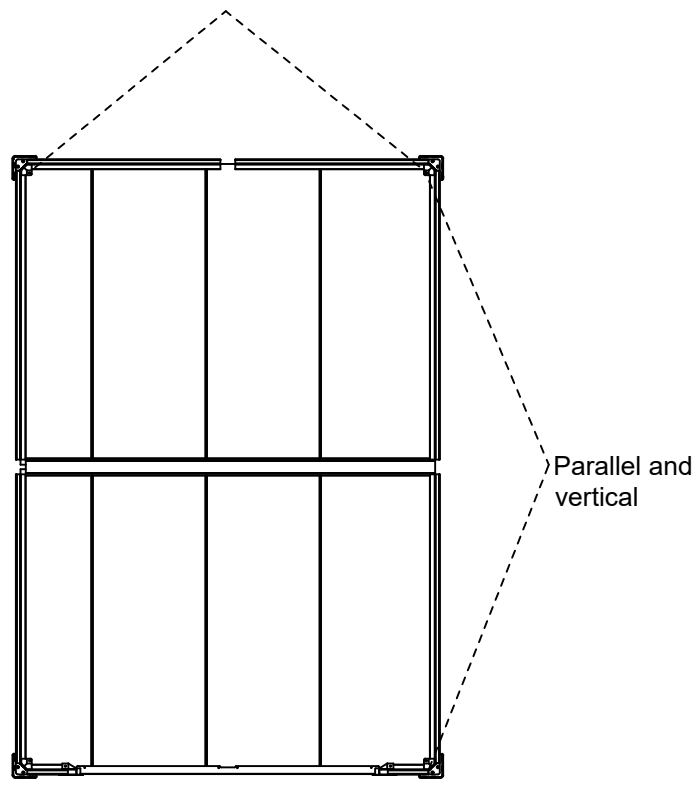
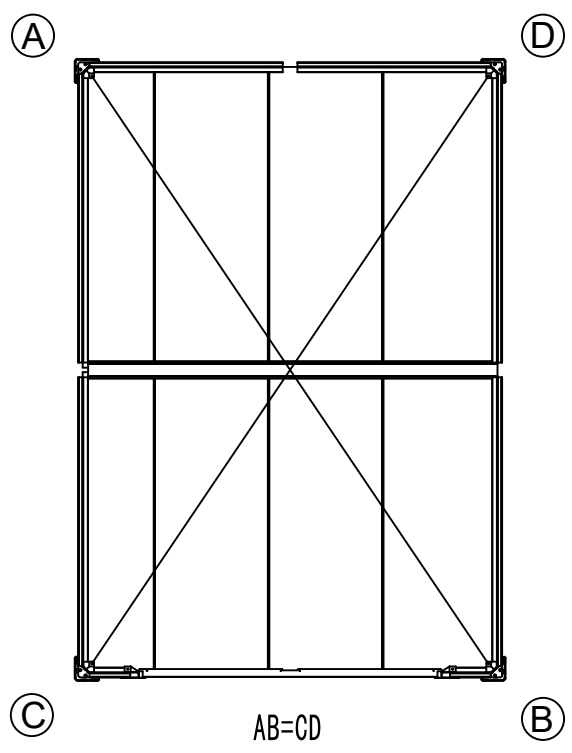
Once the components are installed and connected, they are considered properly installed if there are no gaps.





Once the components are installed and connected, they are considered properly installed if there are no gaps.

Parallel and vertical



20PCS

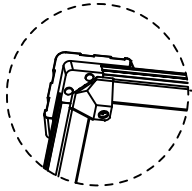


14PCS



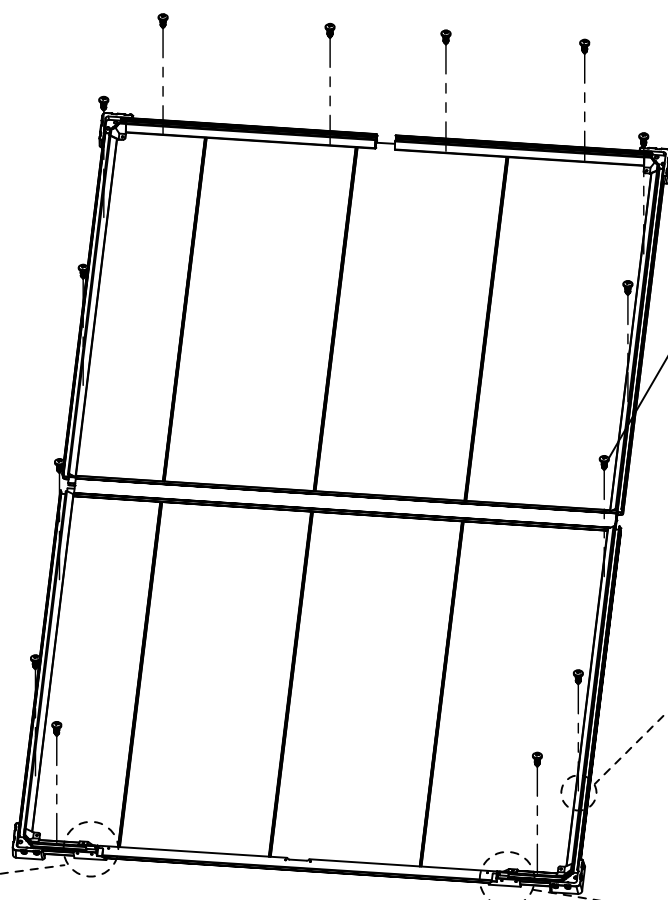
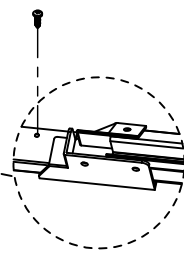
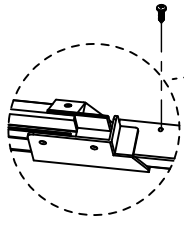
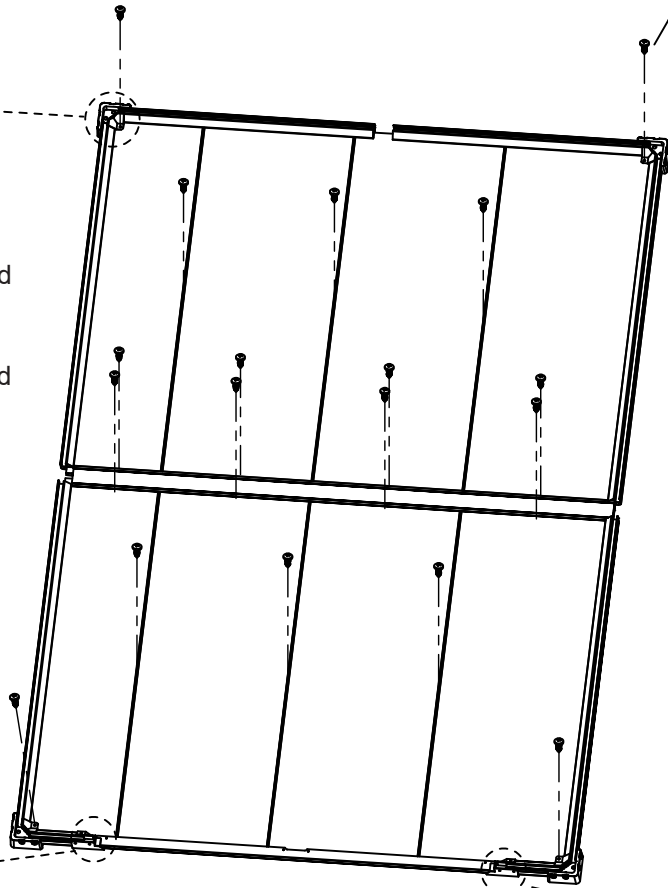
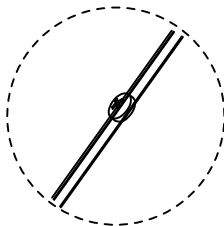
T1

T3



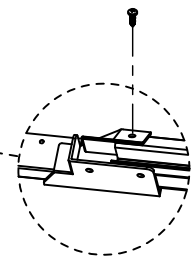
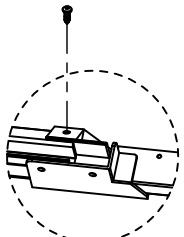
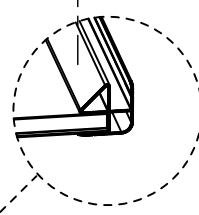
T1 (X20)


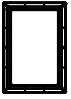
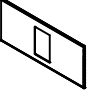

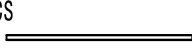


Screws should be placed according to the diagram. Drill and tighten the screws in the designated grooves or pre-drilled holes on the parts. For areas without holes, distribute the screws evenly.

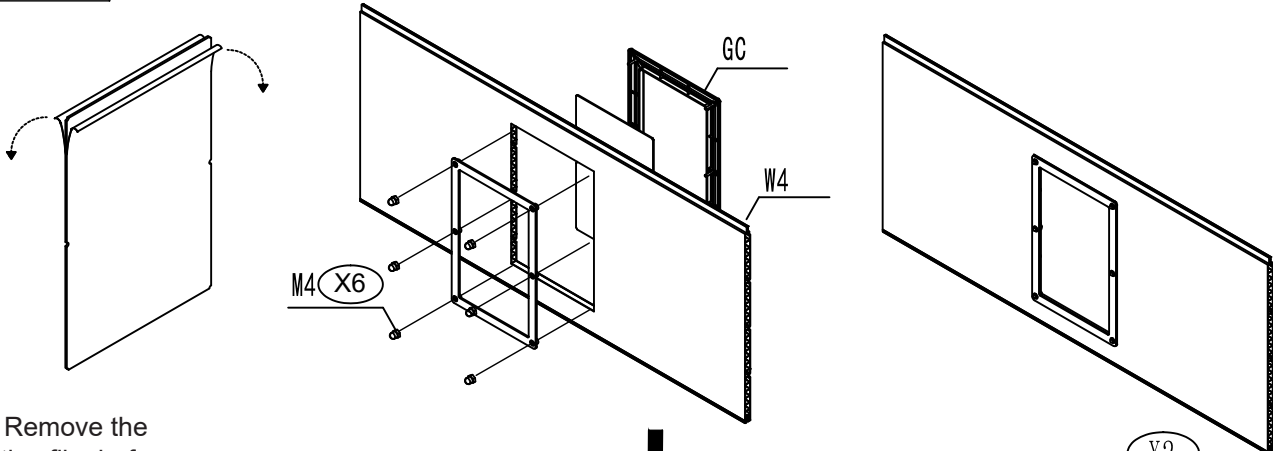


T3 (X14)

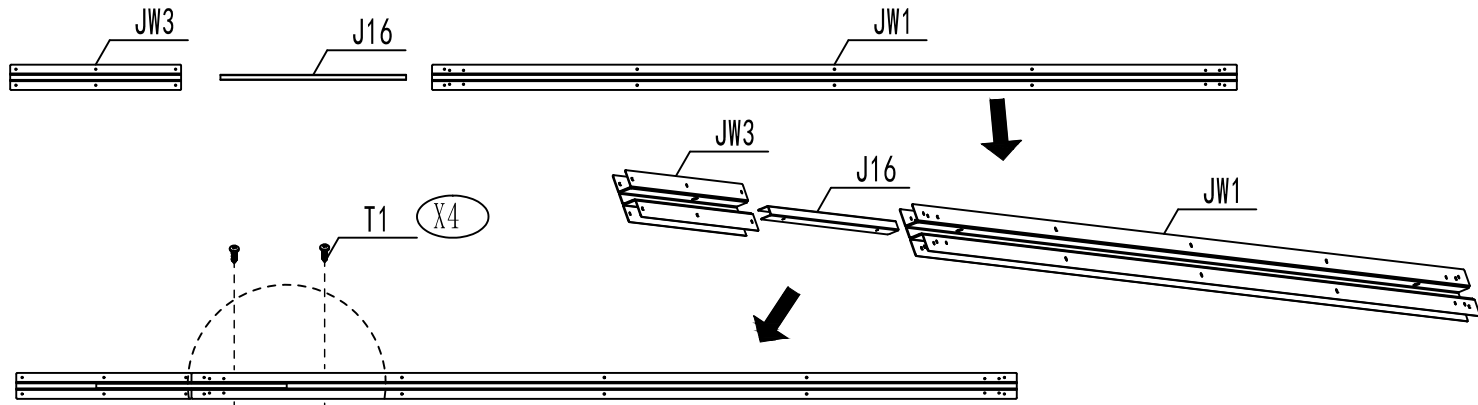
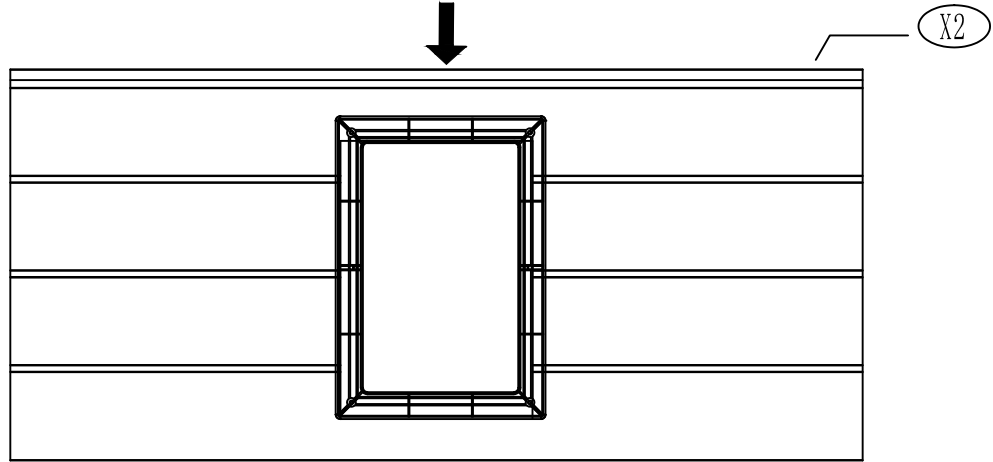
The screw is installed at the center of the inclined plane.



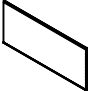





12PCS 	2PCS 	2PCS 	1PCS 	1PCS 	1PCS 
M4-1	GC	W4	JW3	J16	JW1
4PCS 					
T1					



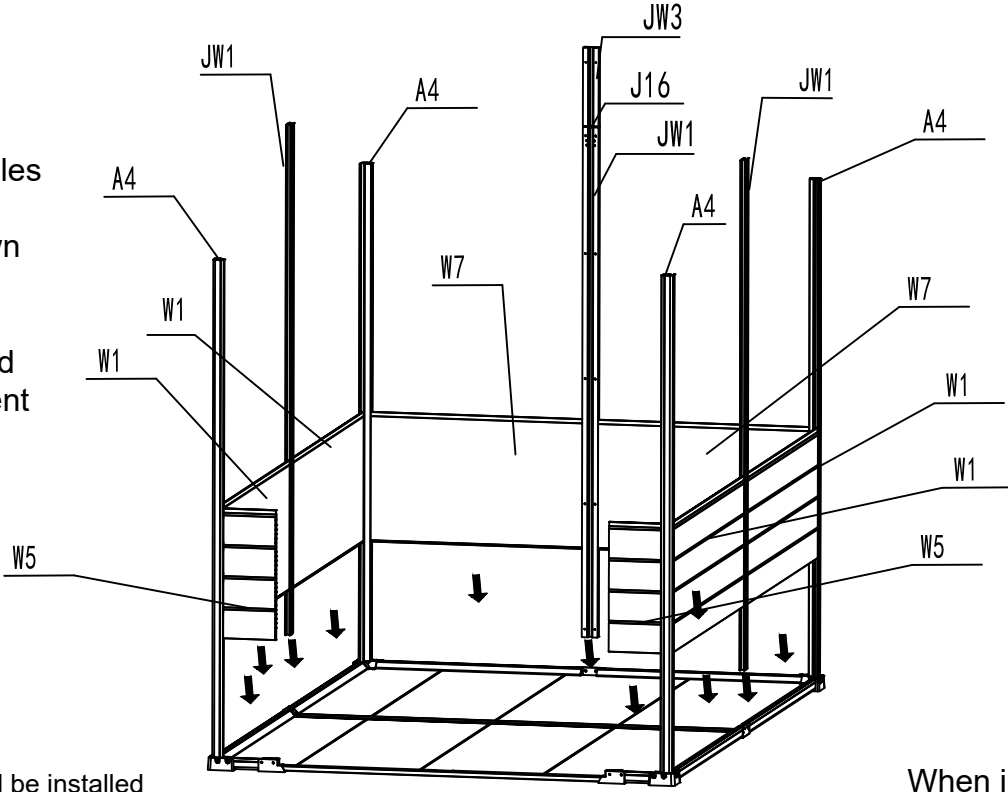
Remove the protective film before installing the window, and install it according to the diagram.



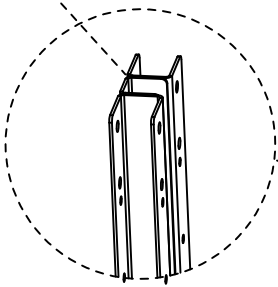
Align JW3 with JW1, then match the J16 hole position and insert it into the groove. Tighten the screws in the designated pre-drilled holes as shown in the diagram.

4PCS 	2PCS 	2PCS 	3PCS 	4PCS 	10PCS 
W1	W7	W5	JW1	A4	T1

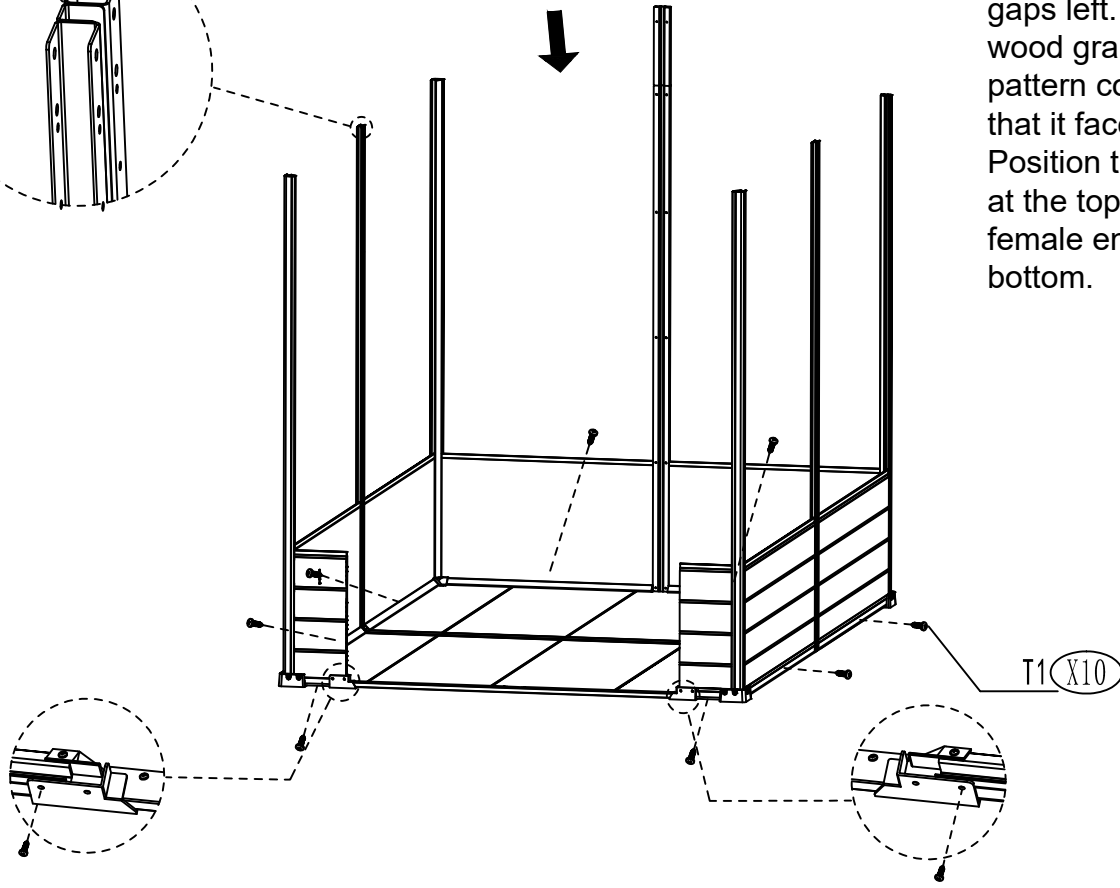
Insert the sheet materials and profiles in a circular sequence as shown in the diagram to prevent the posts from collapsing and facilitate subsequent installation.

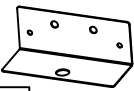




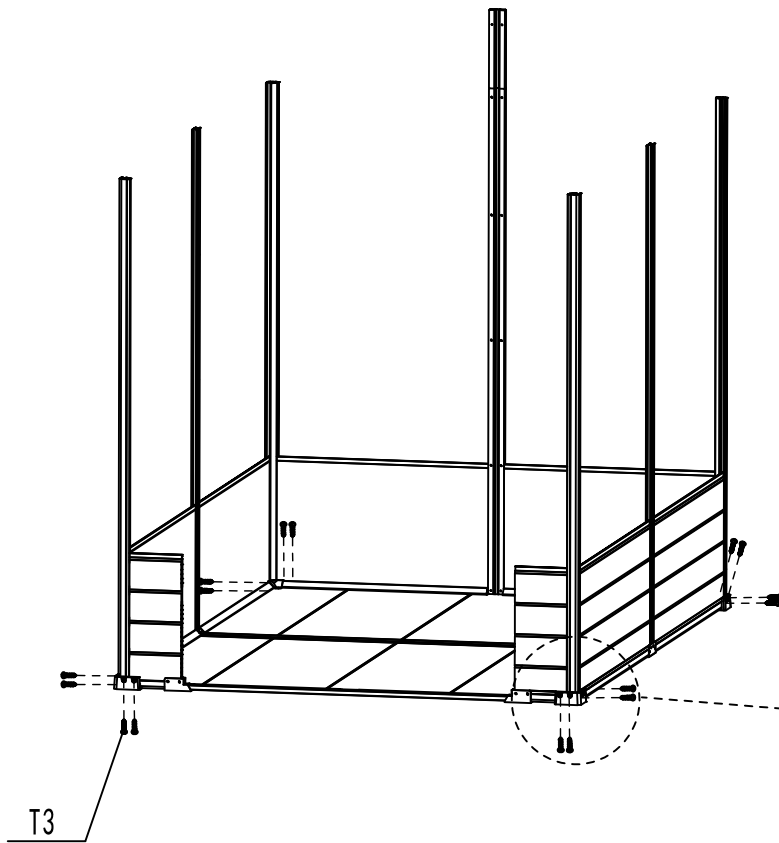
The notches shall be installed uniformly facing inward.



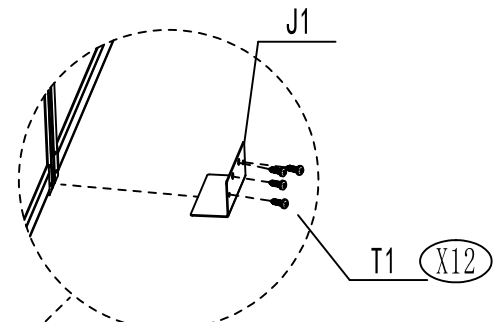
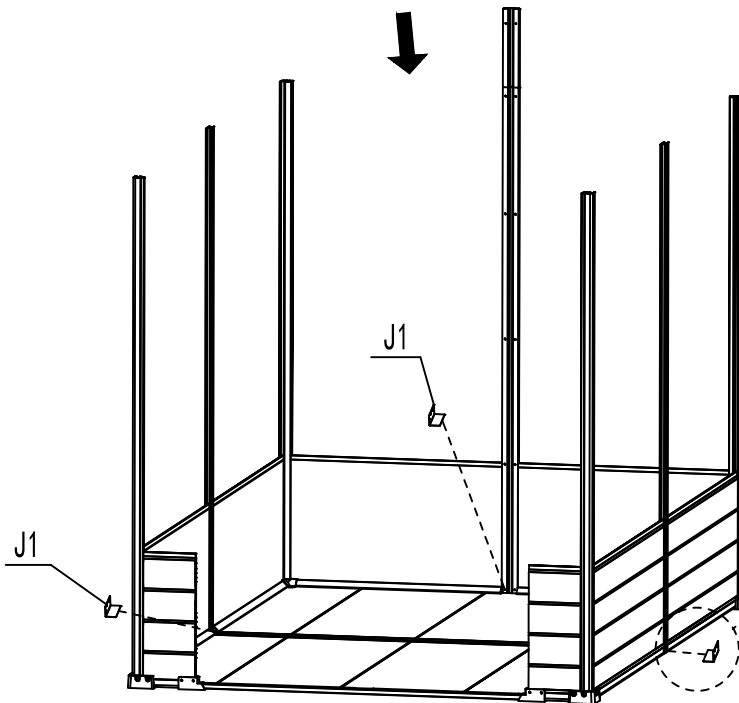
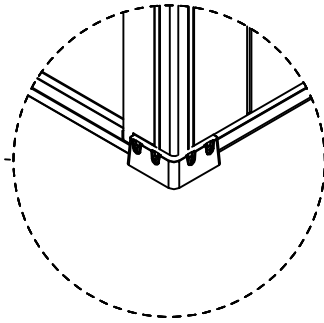
When inserting the plastic panel, ensure it is pushed in completely with no gaps left. Align the wood grain grain pattern correctly so that it faces outward. Position the male end at the top and the female end at the bottom.



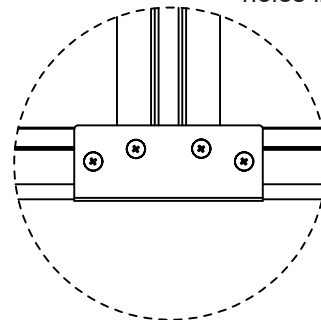
3PCS 	12PCS 	16PCS 
J1	T1	T3



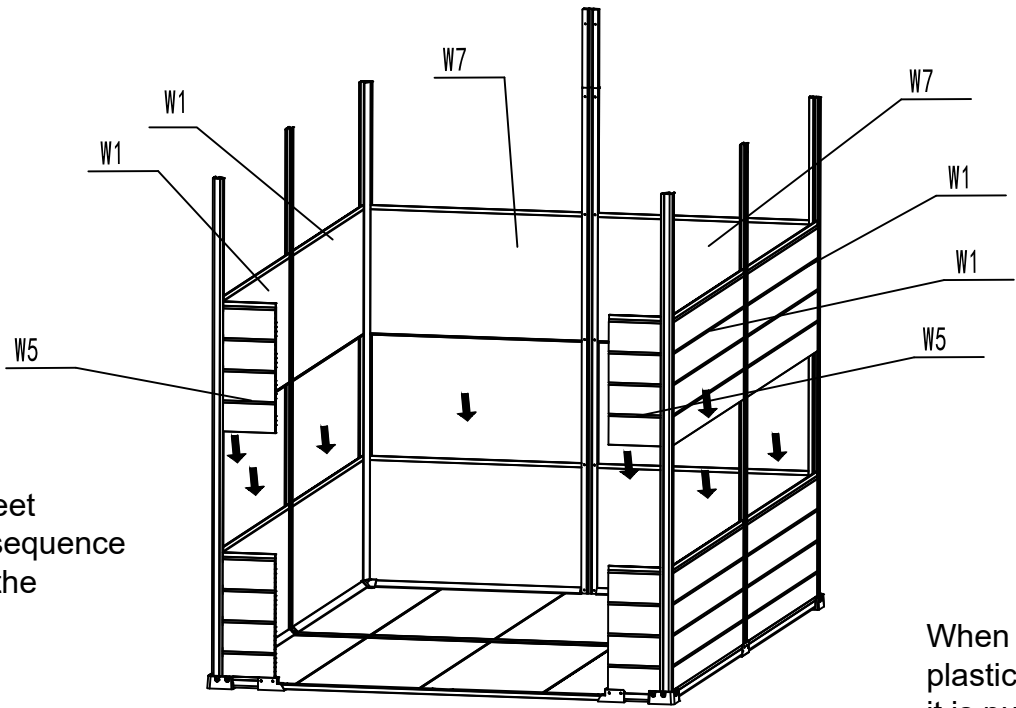
Follow the diagram to drill holes, and drive the screws into the pre-preserved holes on the parts. Repeat this step at all four corners where the same parts are connected.



Follow the diagram to drill and screw into the pre-made holes in the parts.

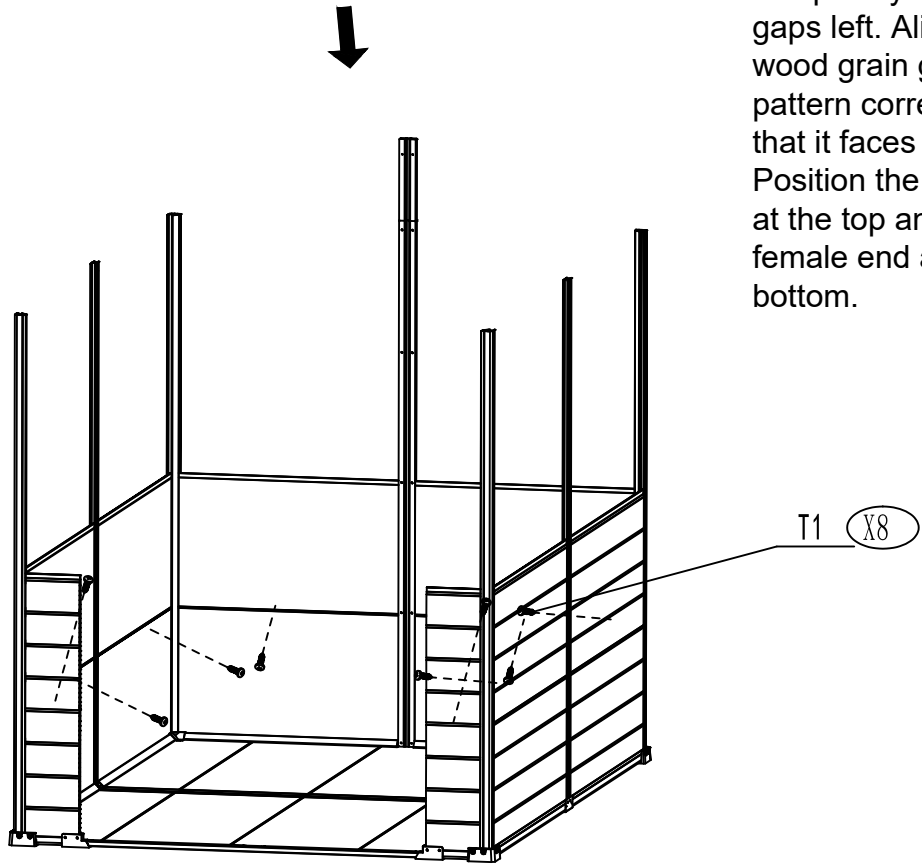



4PCS		2PCS		2PCS		8PCS	
W1		W7		W5		T1	

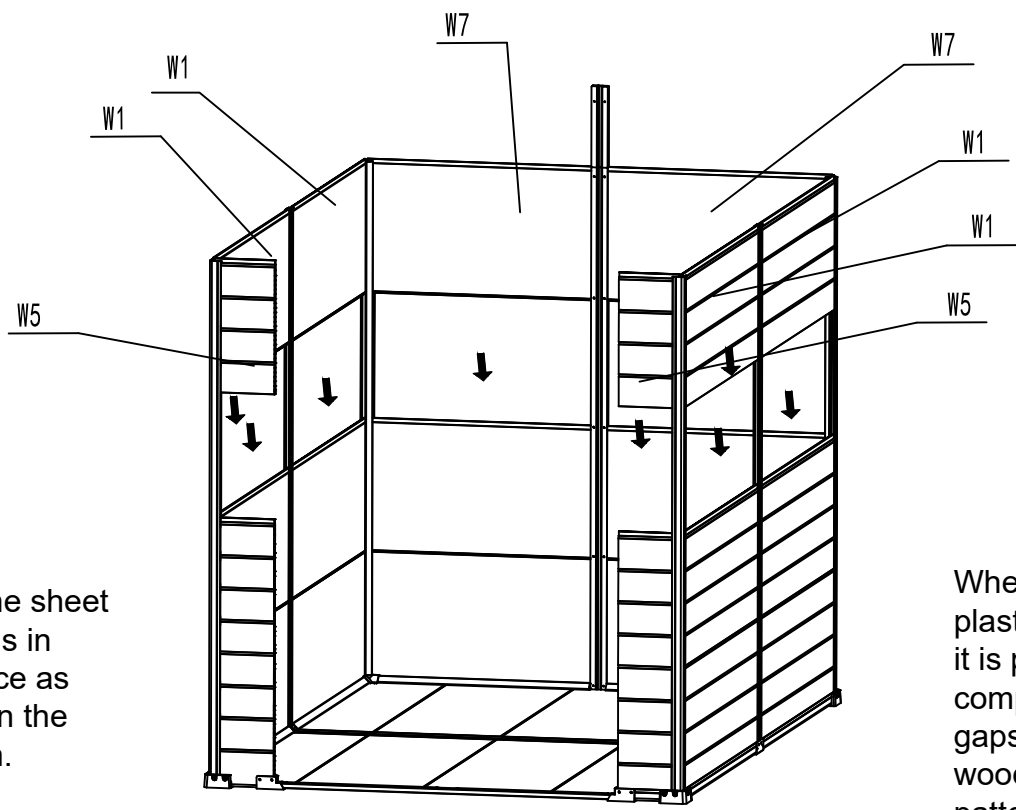


Insert the sheet materials in sequence as shown in the diagram.

When inserting the plastic panel, ensure it is pushed in completely with no gaps left. Align the wood grain pattern correctly so that it faces outward. Position the male end at the top and the female end at the bottom.

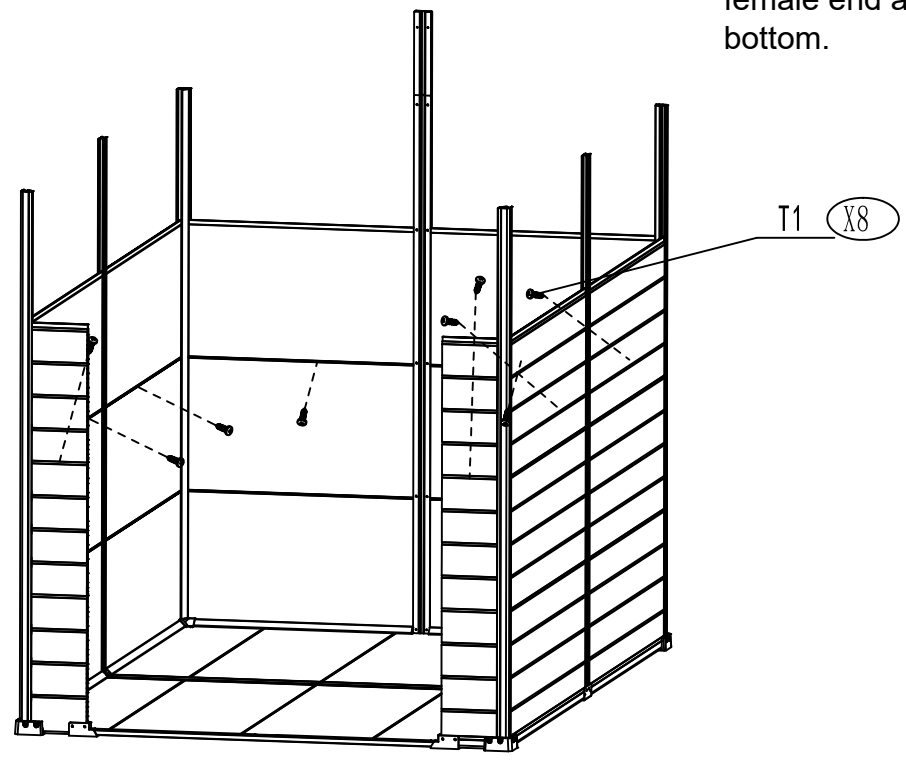



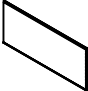
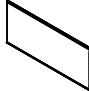

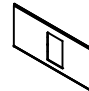
4PCS	2PCS	2PCS	8PCS	
W1	W7	W5	T1	

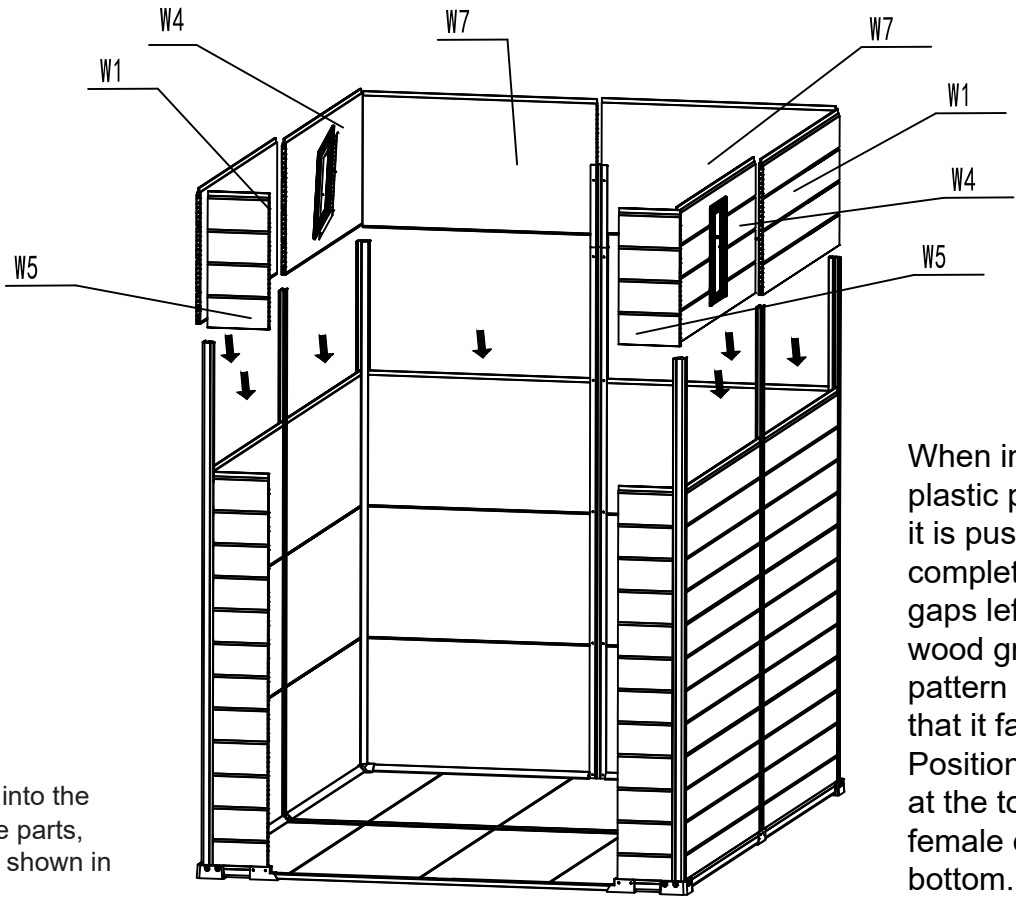


Insert the sheet materials in sequence as shown in the diagram.

When inserting the plastic panel, ensure it is pushed in completely with no gaps left. Align the wood grain grain pattern correctly so that it faces outward. Position the male end at the top and the female end at the bottom.



2PCS	2PCS	2PCS	2PCS	26PCS	
					
W1	W7	W5	W4	T1	

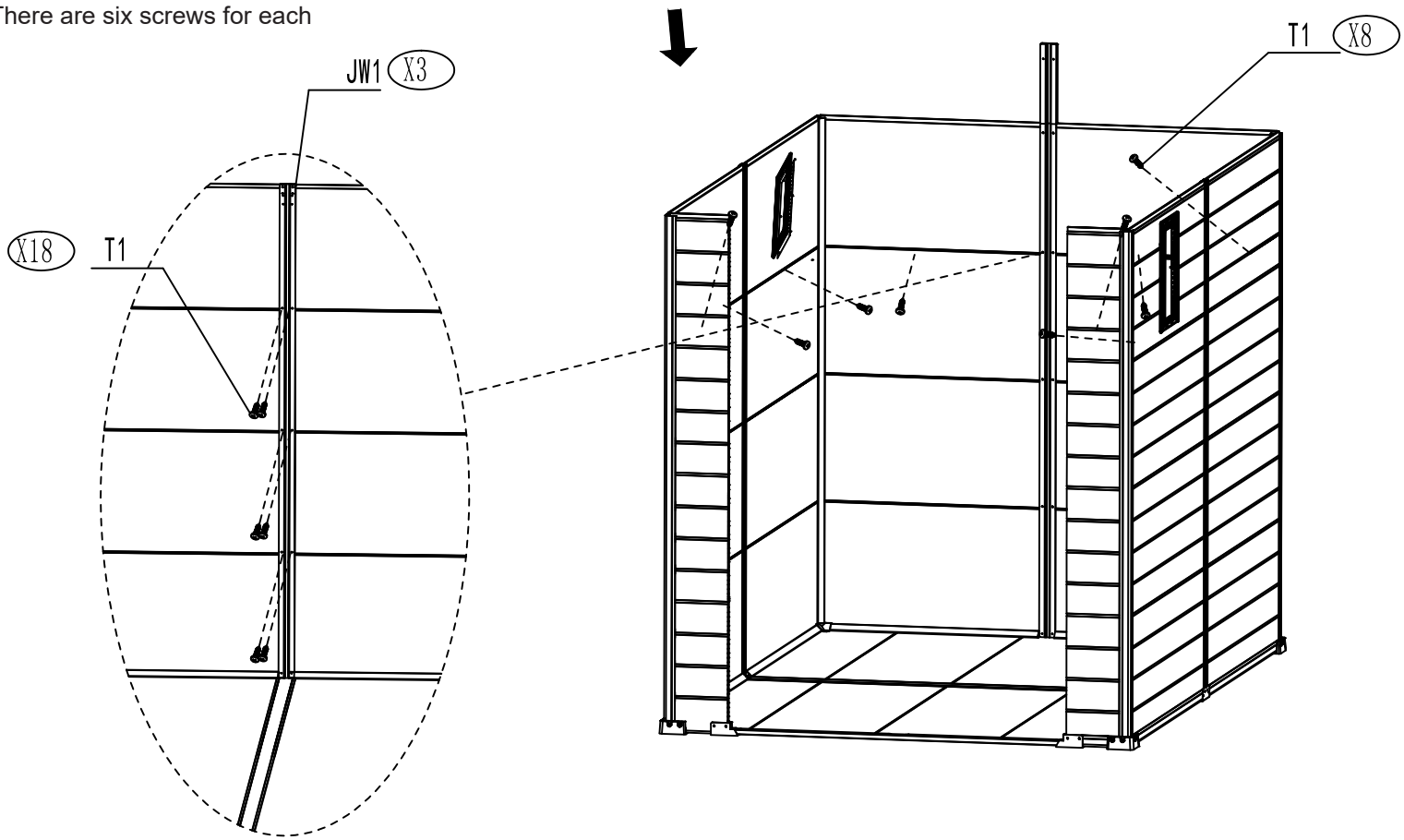


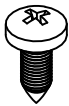
Insert the sheet materials in sequence as shown in the diagram.

Install the screws into the pre-drilled holes on the parts, following the locations shown in the diagram.

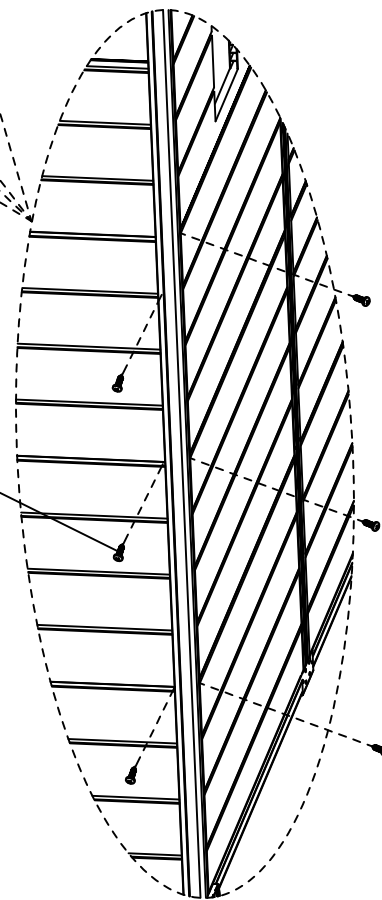
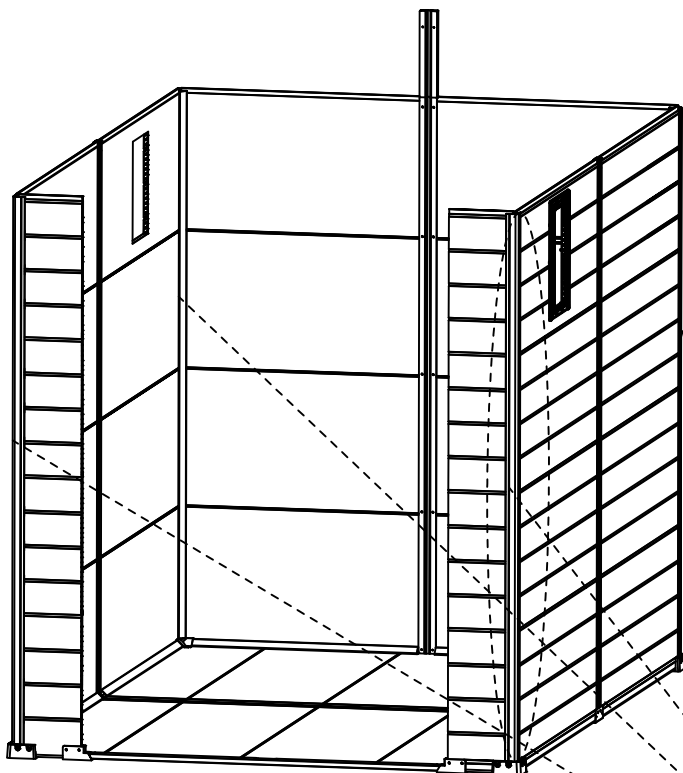
There are six screws for each

When inserting the plastic panel, ensure it is pushed in completely with no gaps left. Align the wood grain pattern correctly so that it faces outward. Position the male end at the top and the female end at the bottom.





T1



X6 T1

Install the screws into the pre-grooved channels of the A-profile framing as shown in t diagram. If there are no pre-drilled holes, space the screws evenly along the channel.

1PCS

1PCS

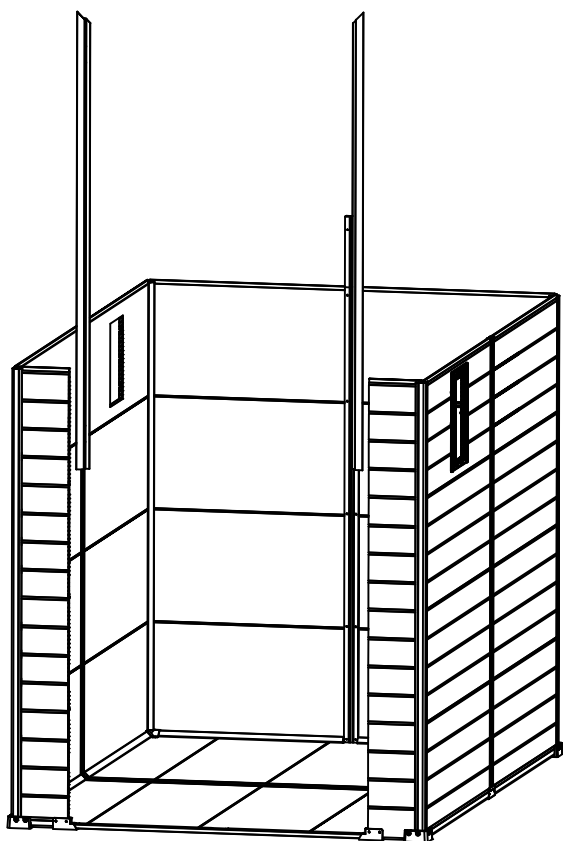
2PCS



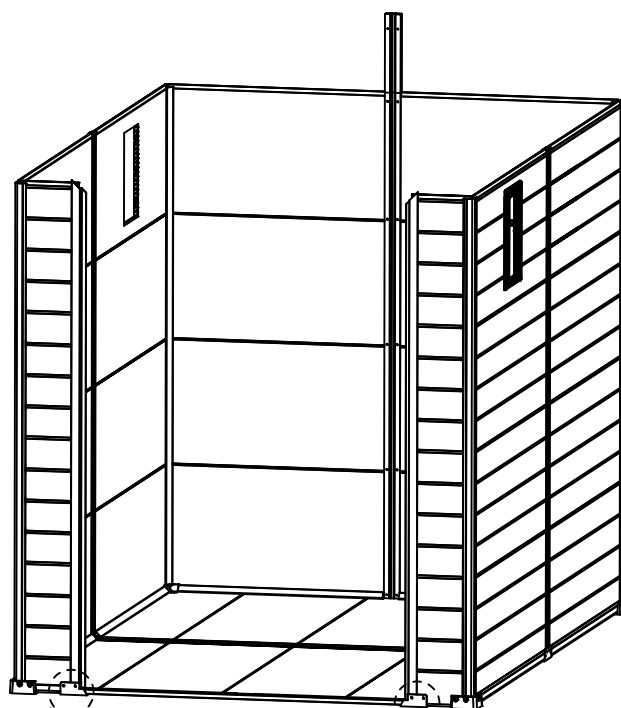
L2

L1

T5

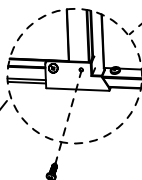


Insert the door frame as shown in the diagram, making sure it is pushed in fully and securely seated.

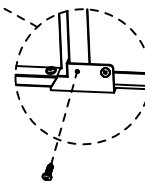



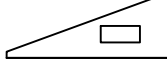
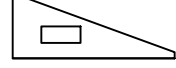

X2

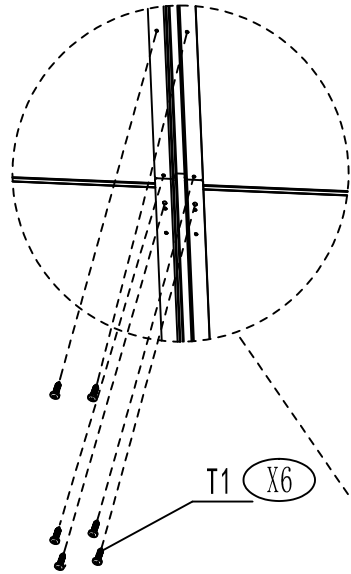
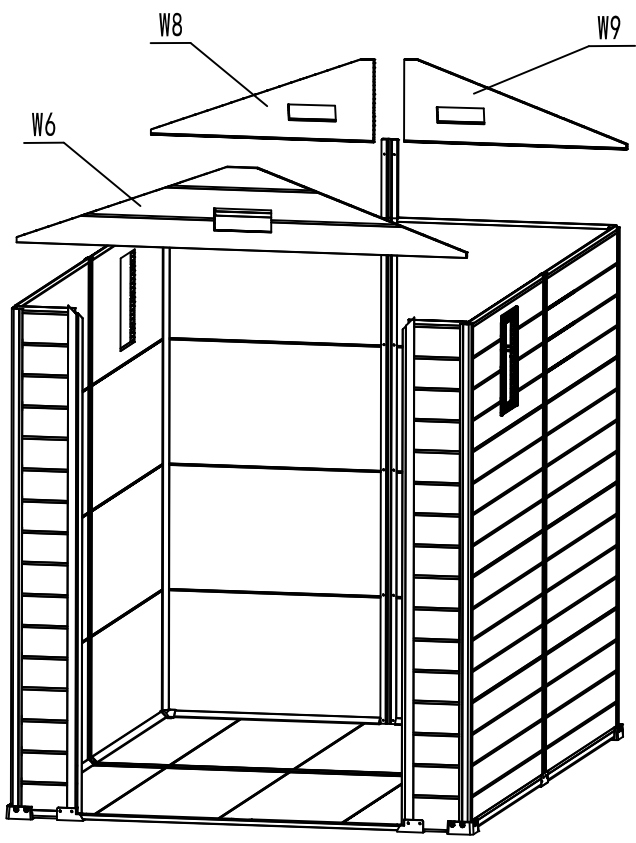
T5



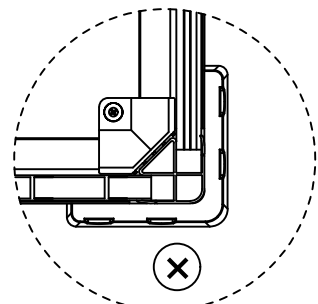
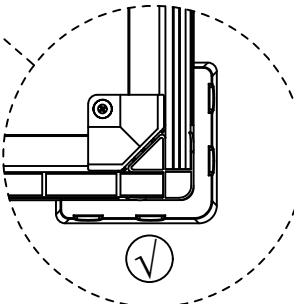
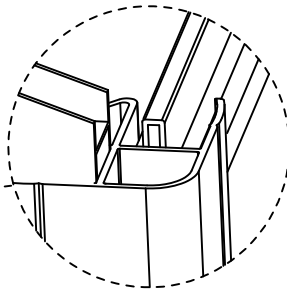
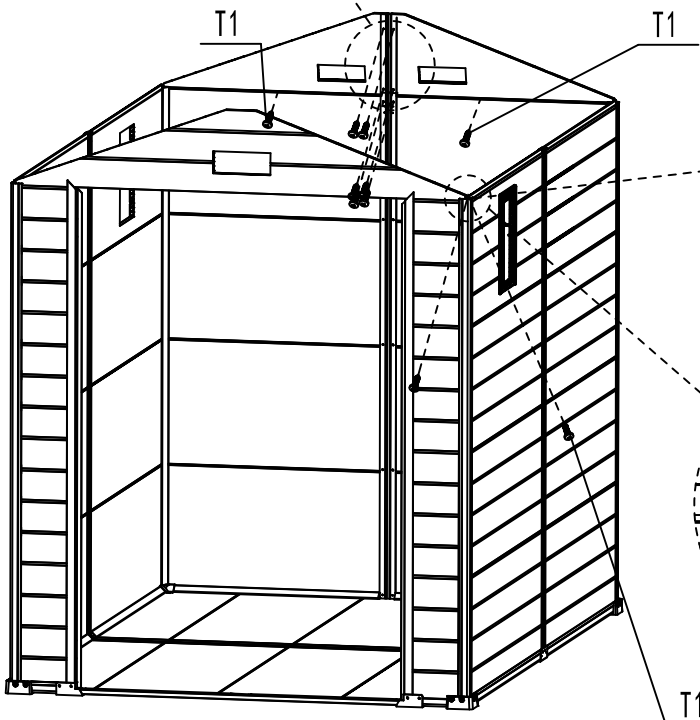
Screw in according to the positions shown in the diagram.




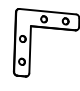


1PCS 	1PCS 	1PCS 	16PCS 
W6	W8	W9	T1

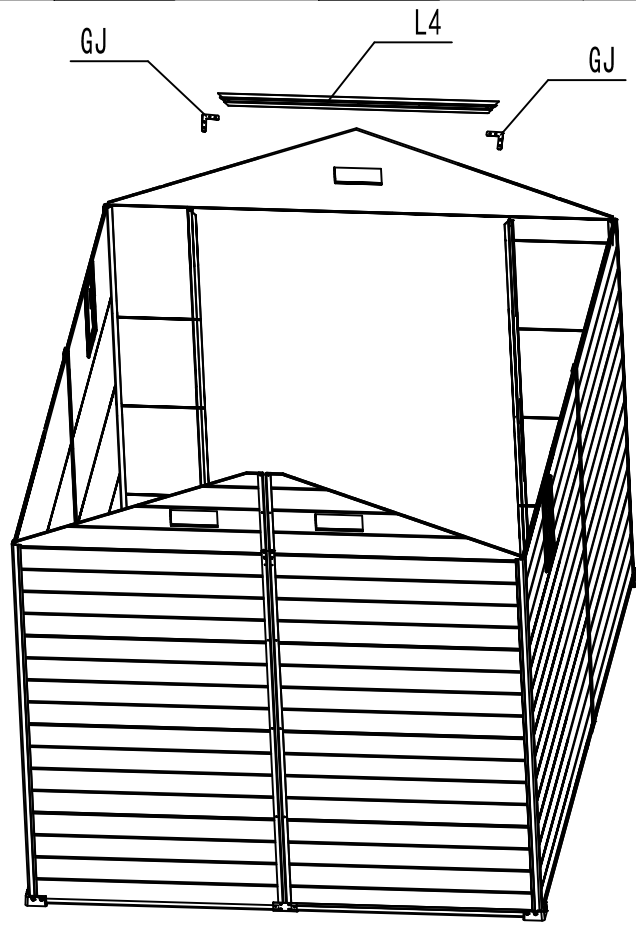


T1 (X6)

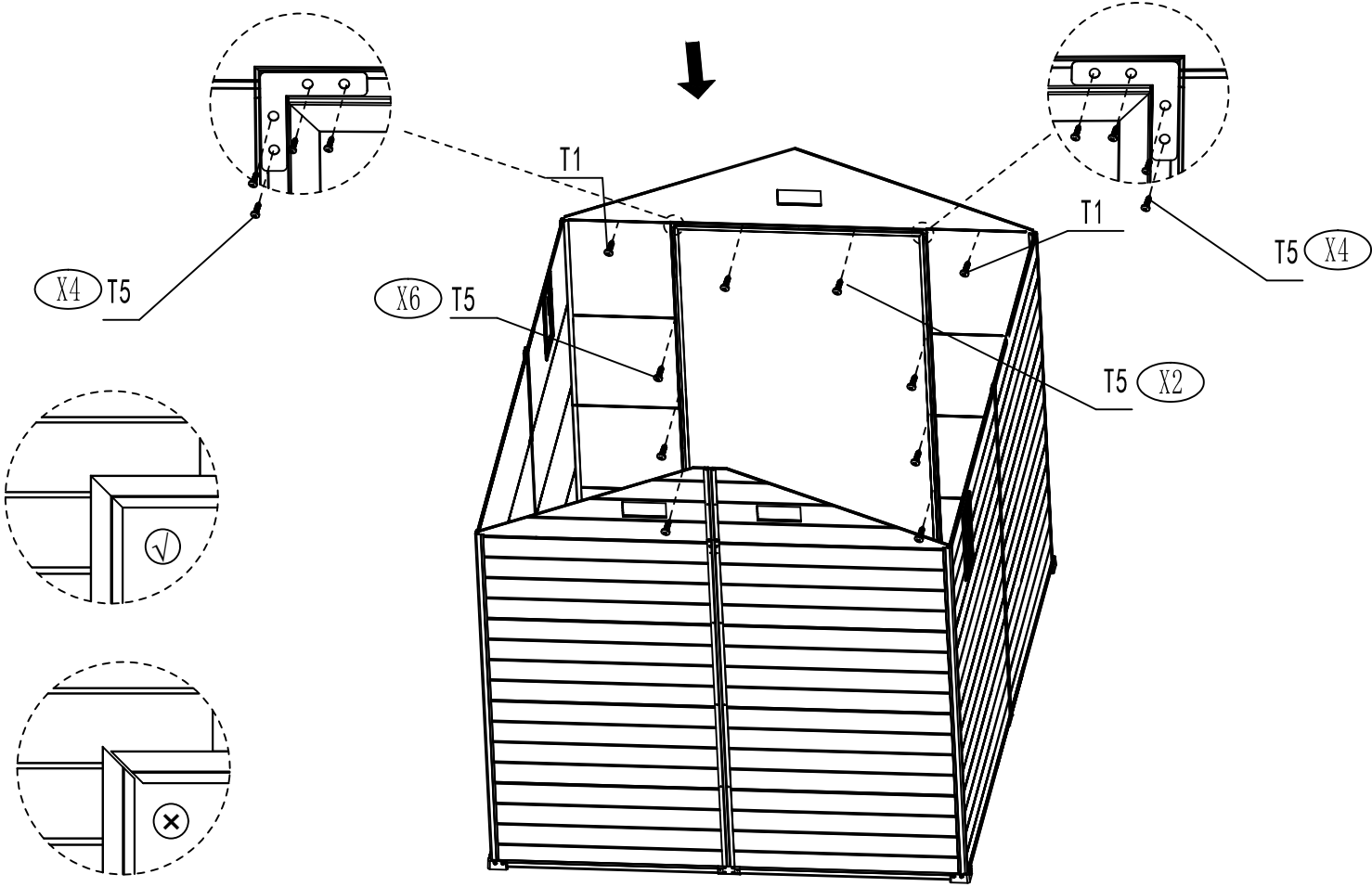


T1 (X8)

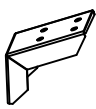
1PCS 	2PCS 	16PCS 	2PCS 
L4	GJ	T5	T1



Install the screws in the locations shown in the diagram.



2PCS

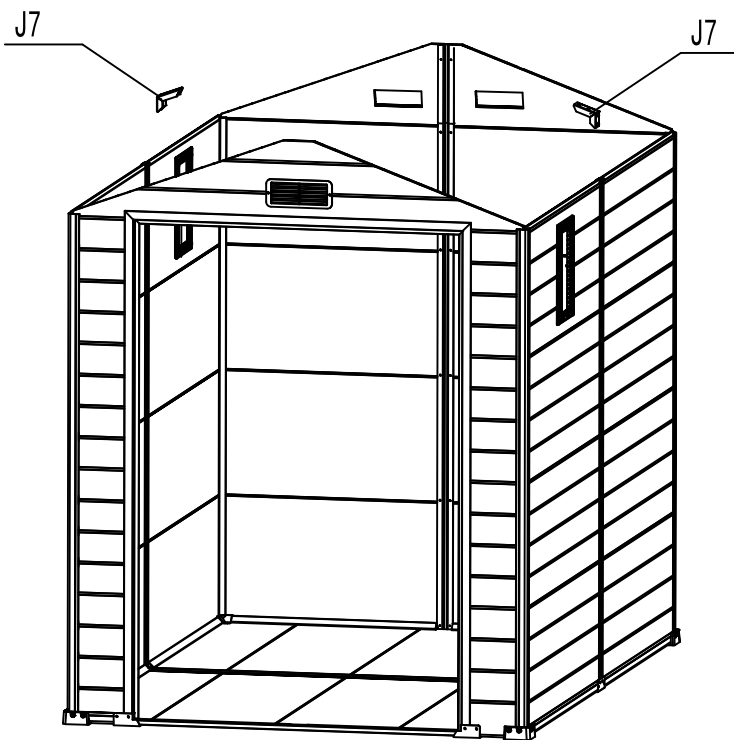


8PCS

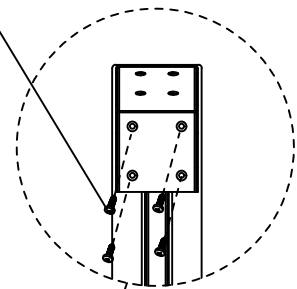


J7

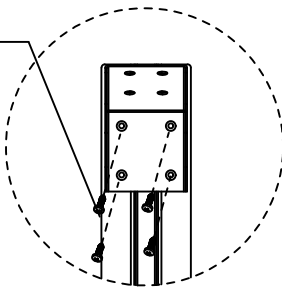
T1



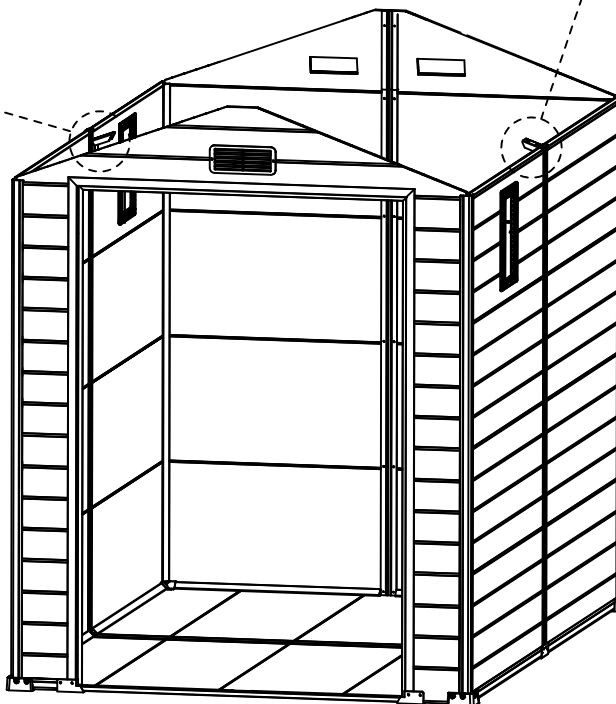
X4 T1


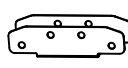




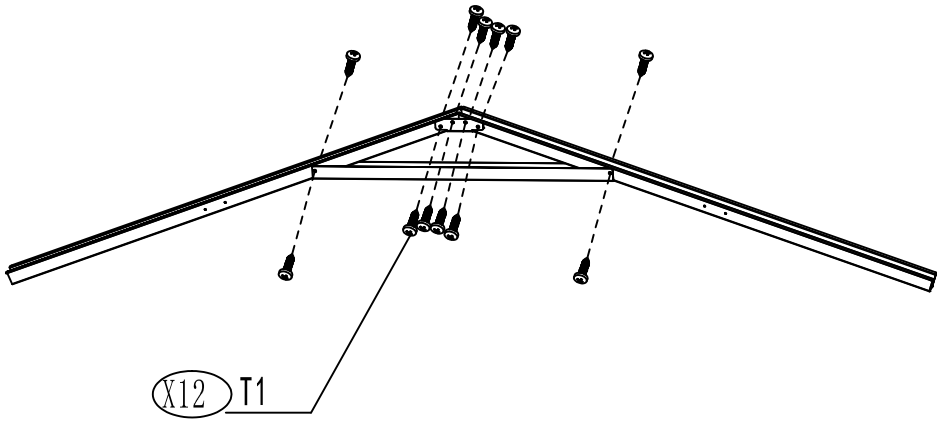
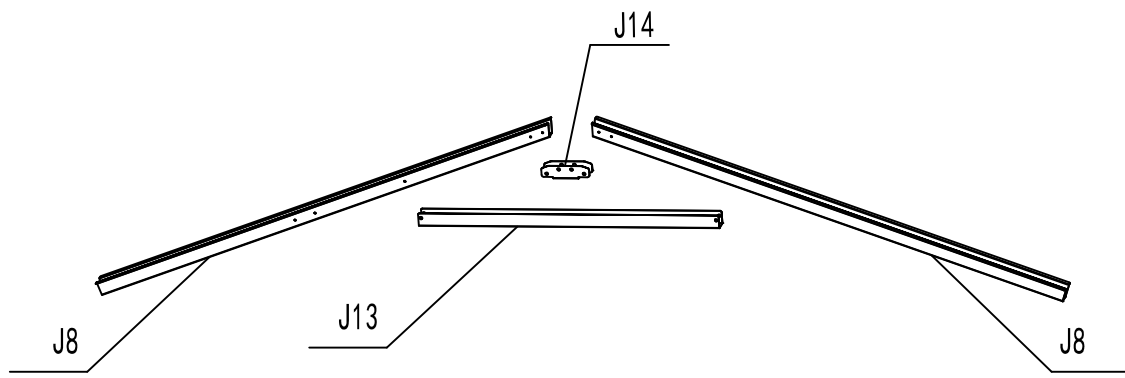
X4 T1



Install the screws in the locations shown in the diagram.



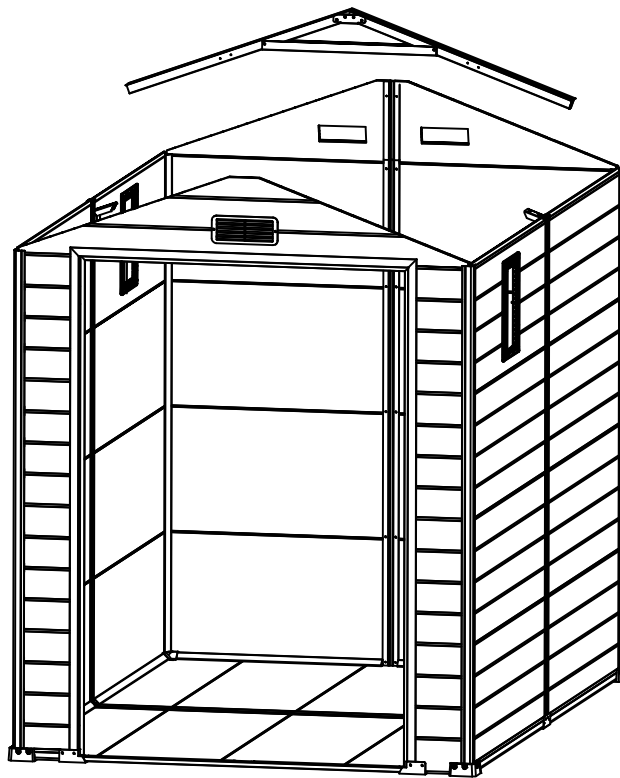
2PCS 	1PCS 	1PCS 	12PCS 		
J8	J14	J13	T1		



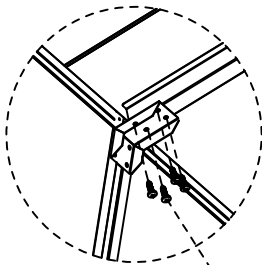
Install the screws in the locations shown in the diagram.



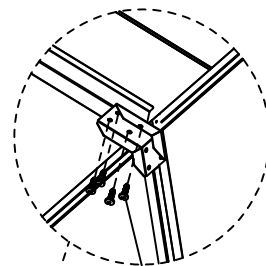
T1



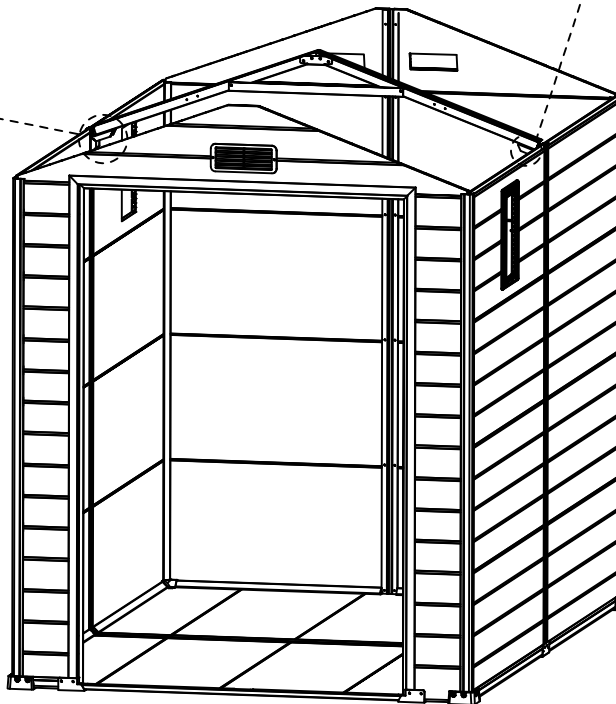
Install the screws in the locations shown in the diagram.



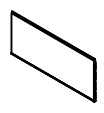
T1 (X4)



T1 (X4)



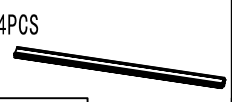
8PCS



4PCS



4PCS



6PCS

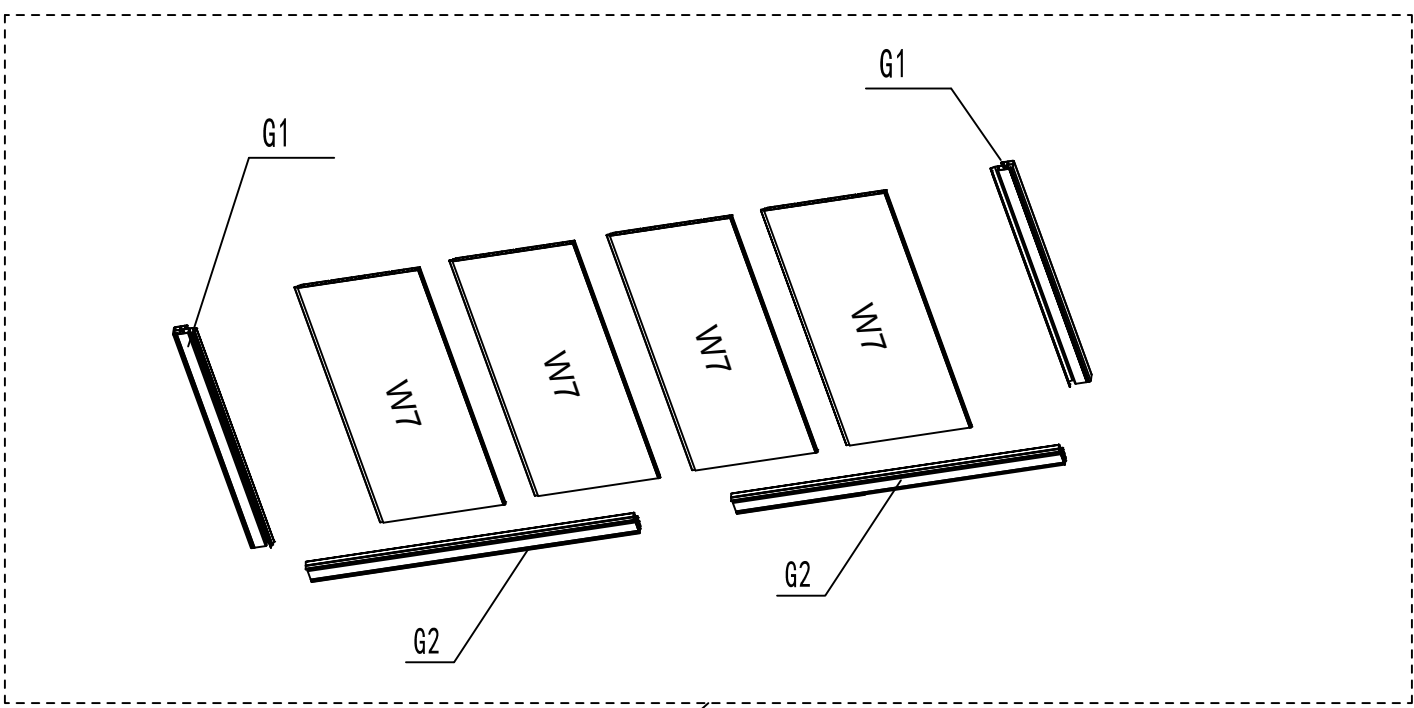


W7

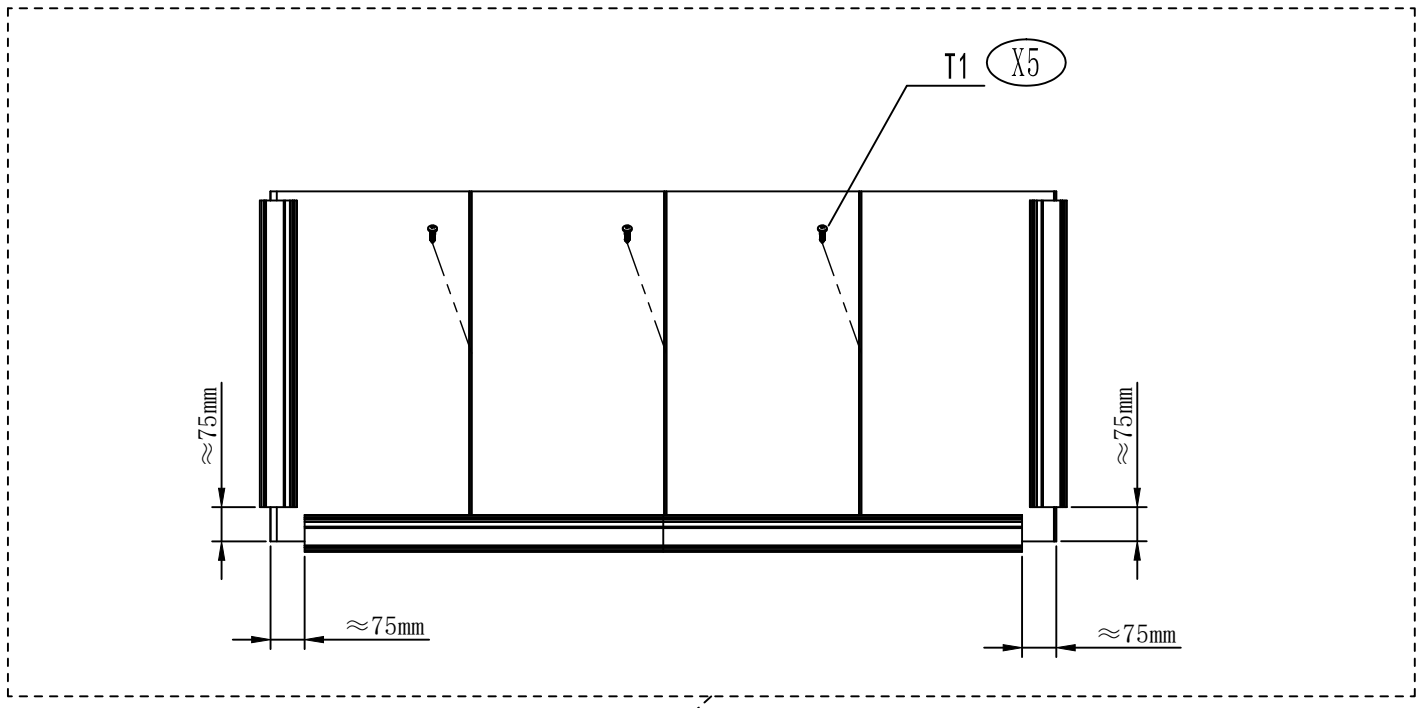
G1

G2

T1



X2



X2

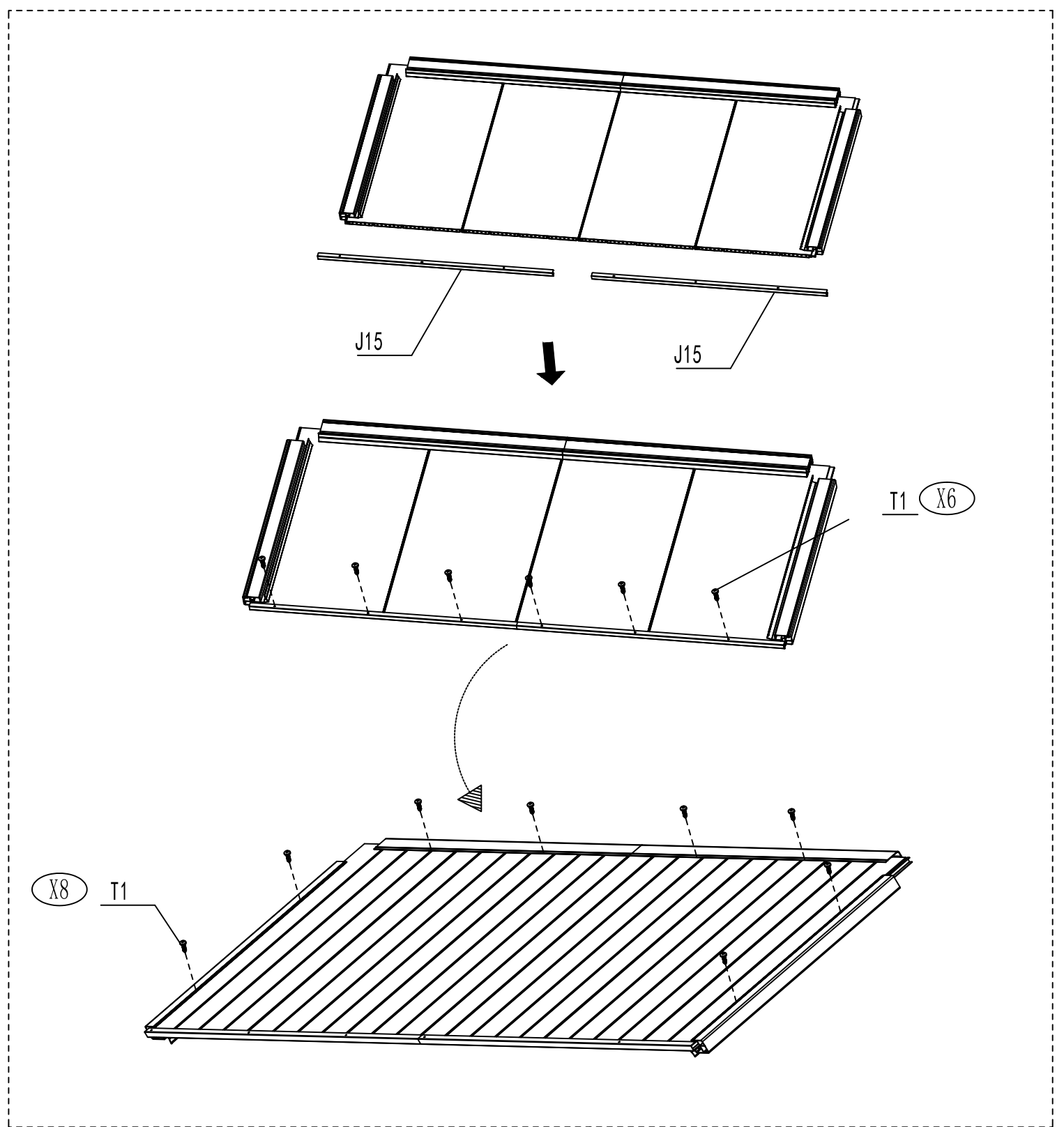
4PCS

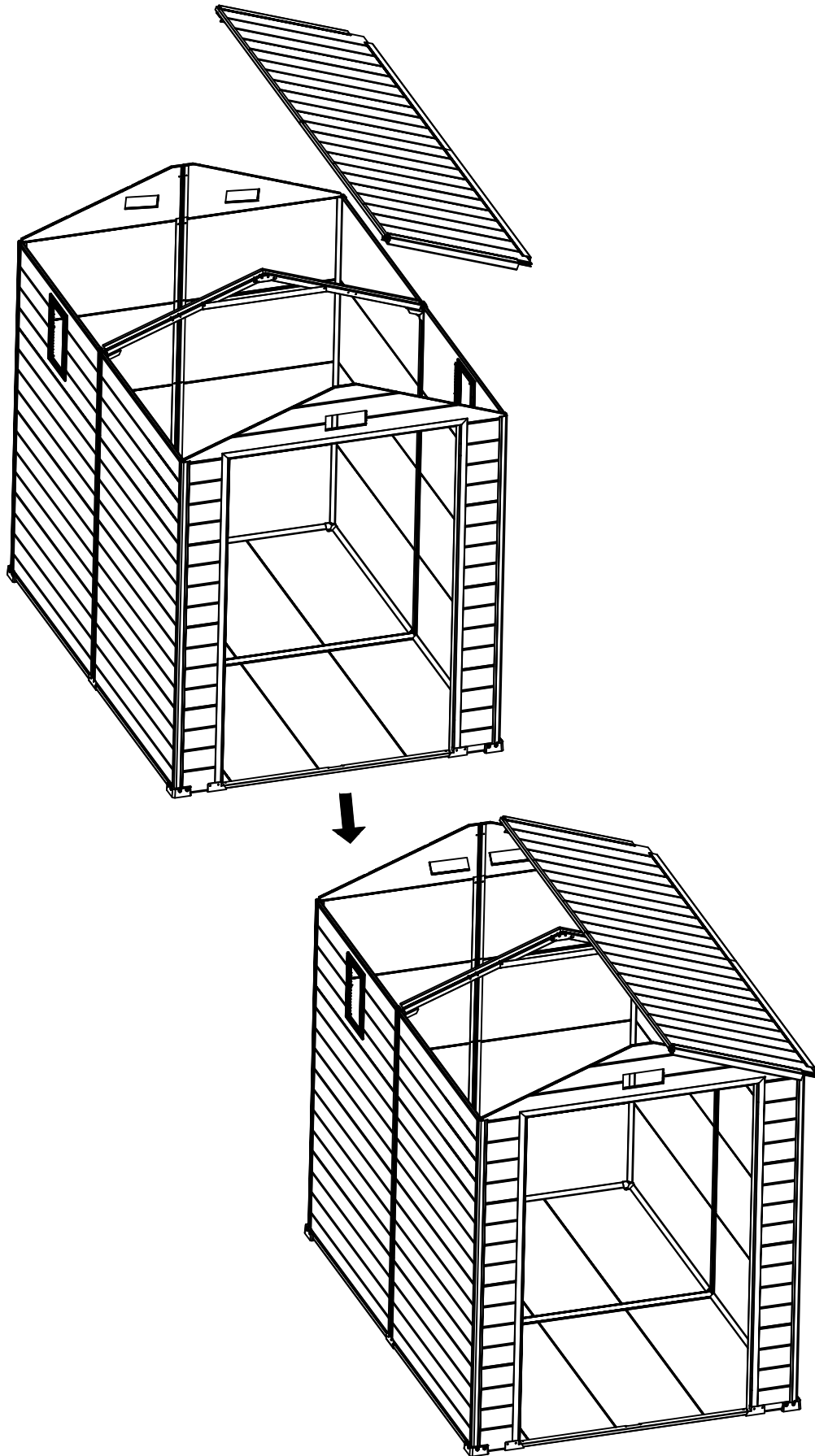
28PCS

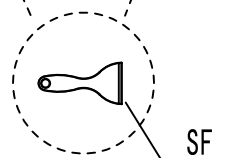
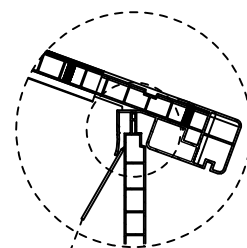
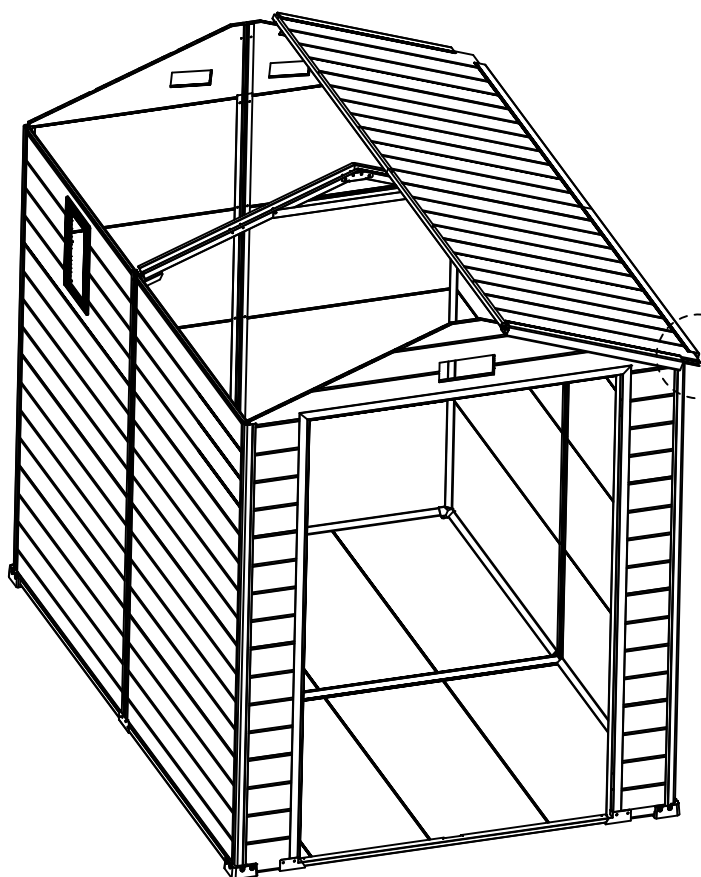


J15

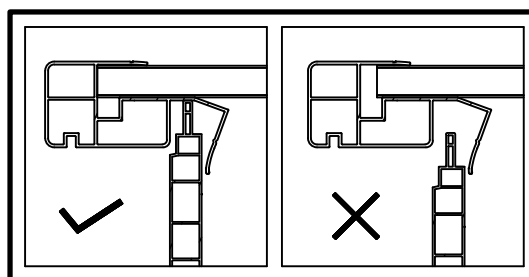
T1

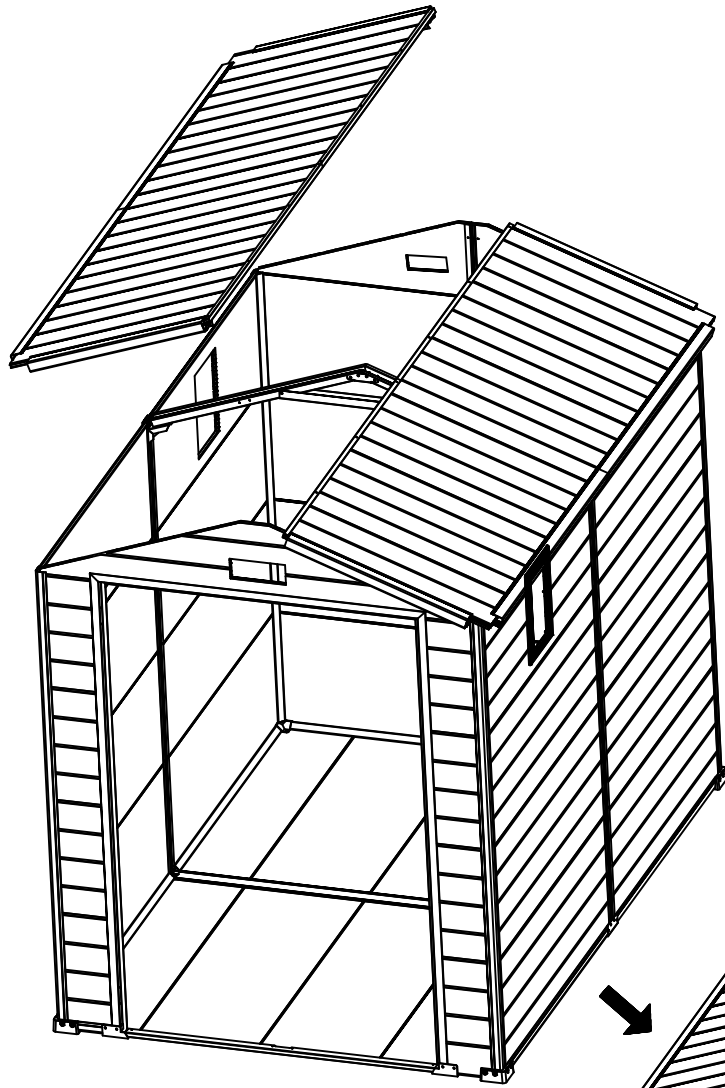




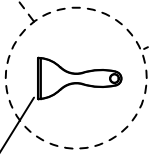
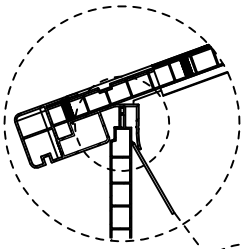
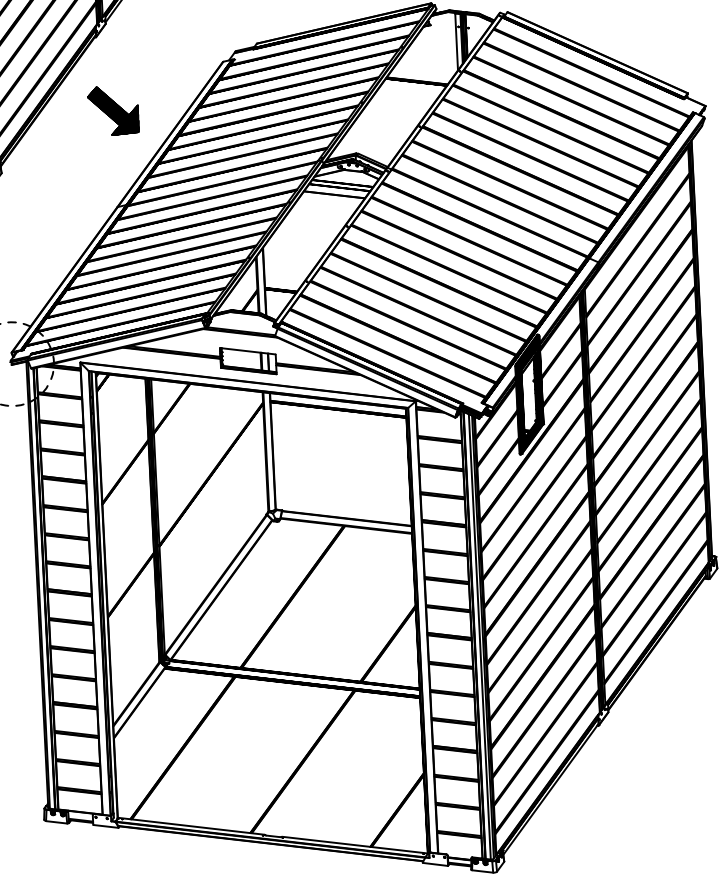


Use the SF (tool/component) to ensure all panels are fully inserted into the G-profile and are completely seated.

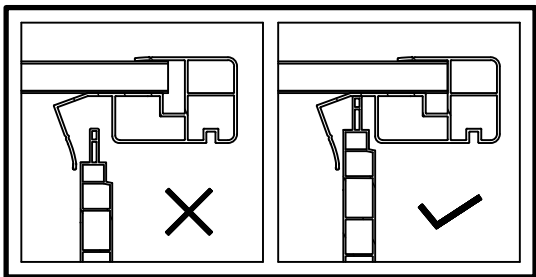




Use the SF (tool/component) to ensure all panels are fully inserted into the G-profile and are completely seated.



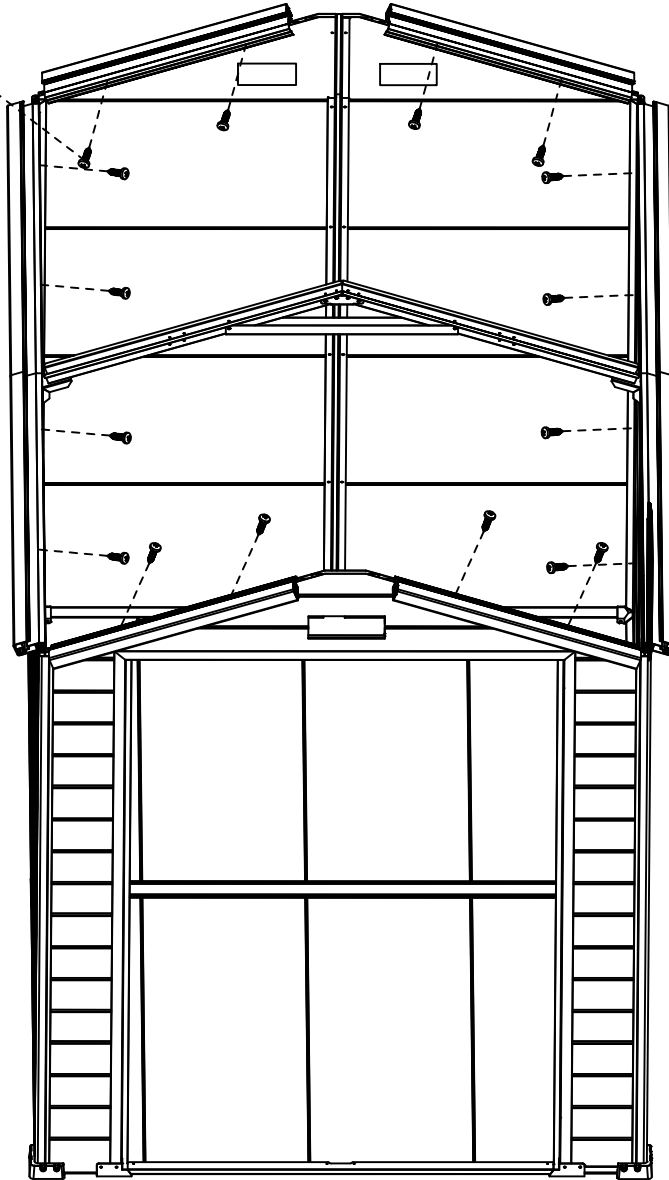
SF





T3

X16 T3

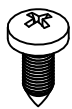
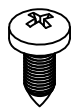


Install the T3 screws through the pre-grooved channel of the G-profile at an upward angle to connect the panel to the profile.

4PCS

8PCS

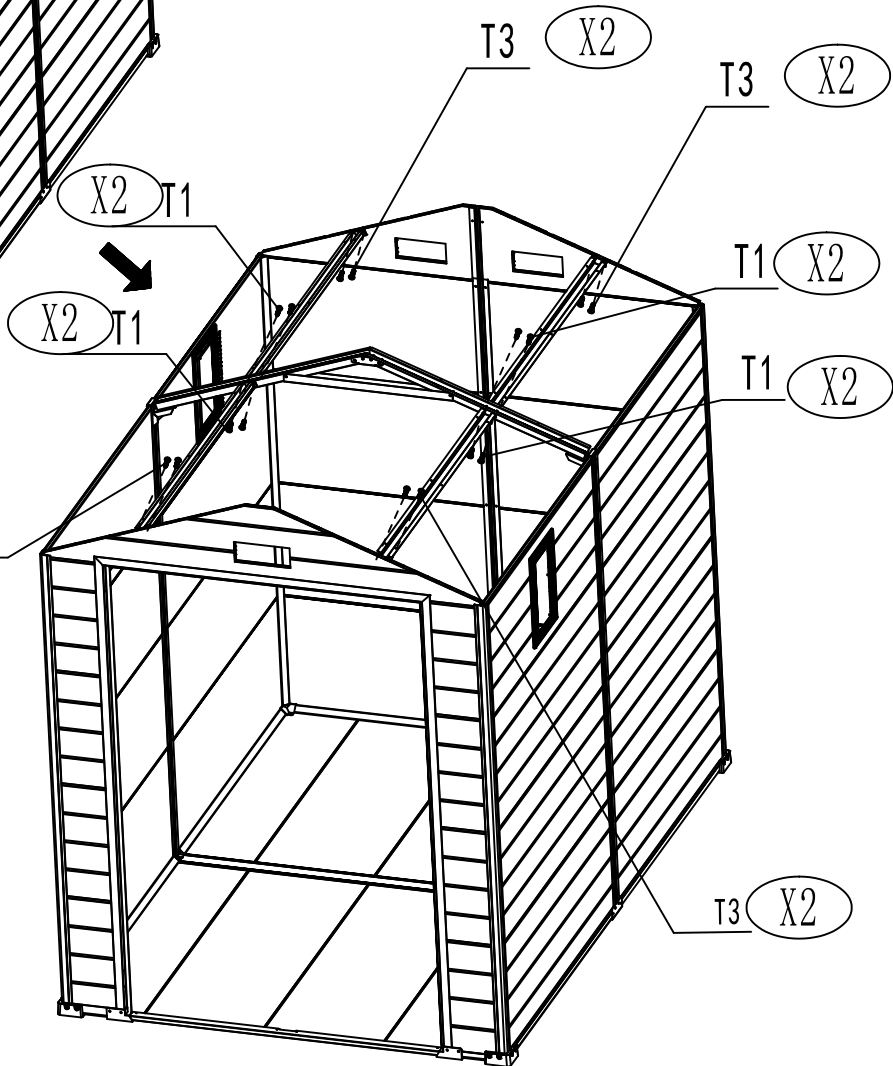
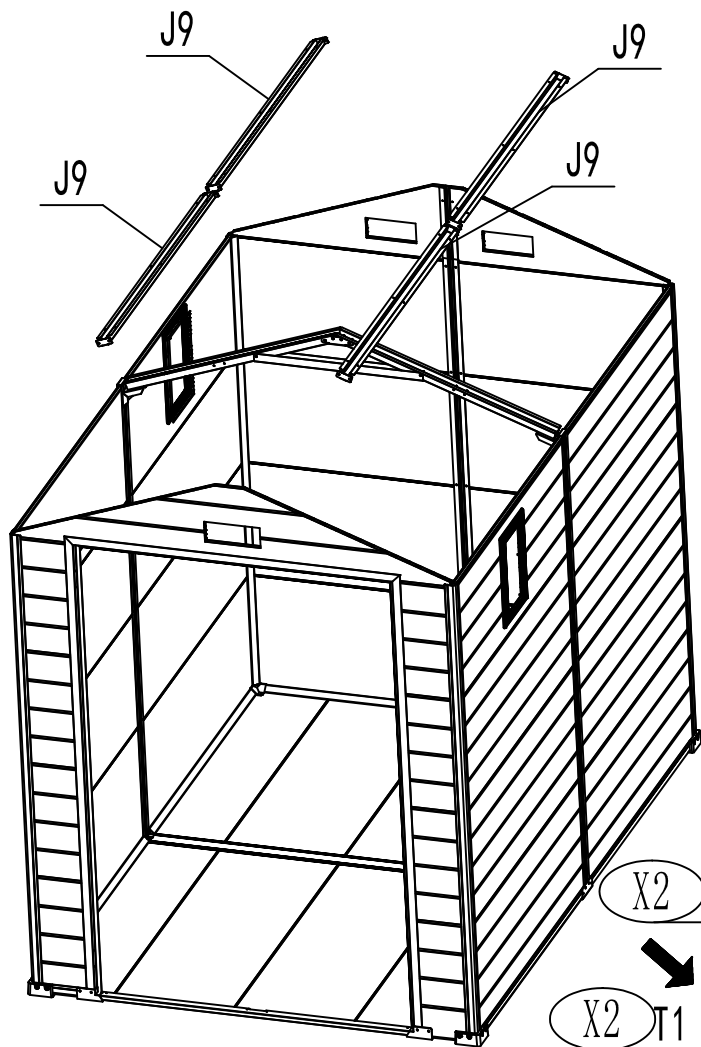
8PCS



J9

T1

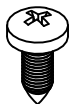
T3



Screw in according to the positions shown in the diagram.

4PCS

32PCS

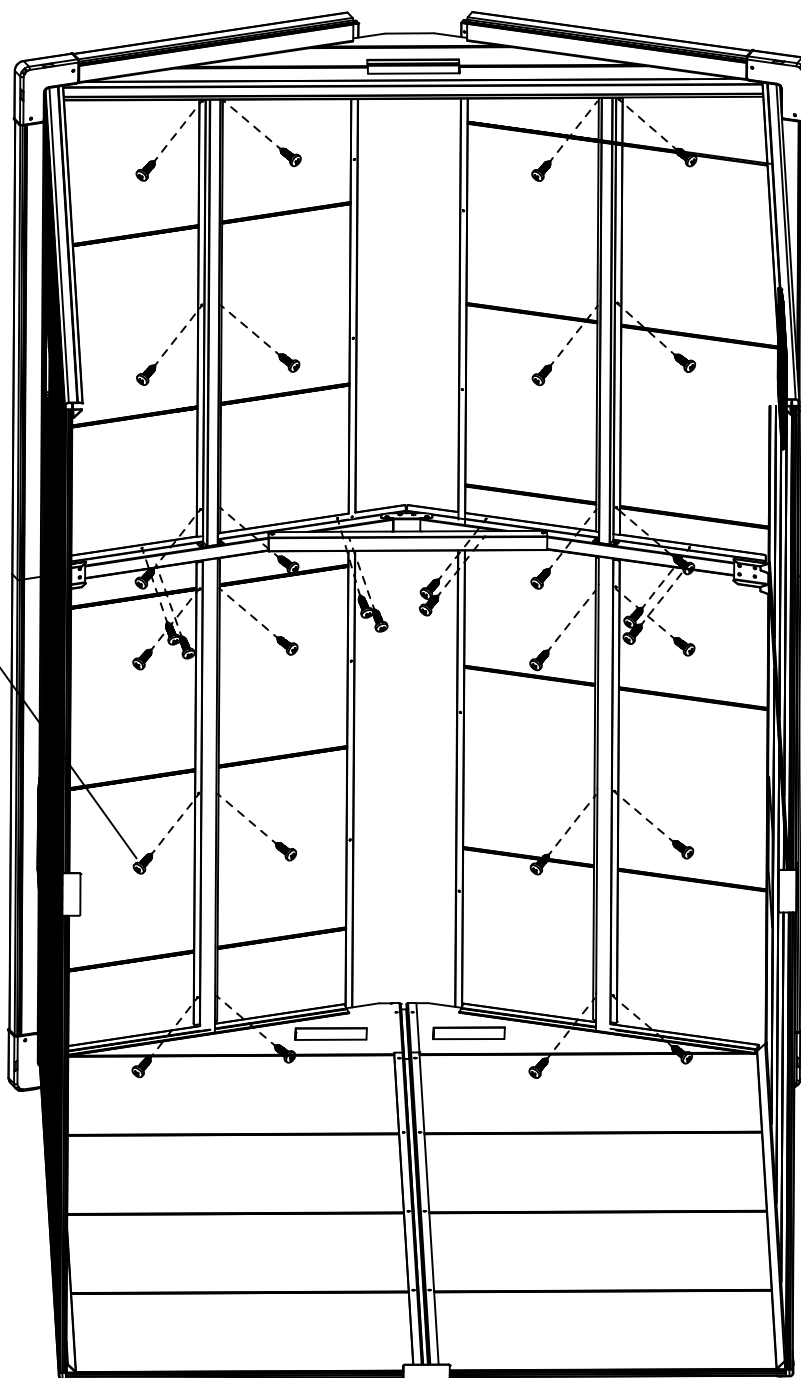


J9

T1

X32

T1



Screw in according to the positions shown in the diagram.

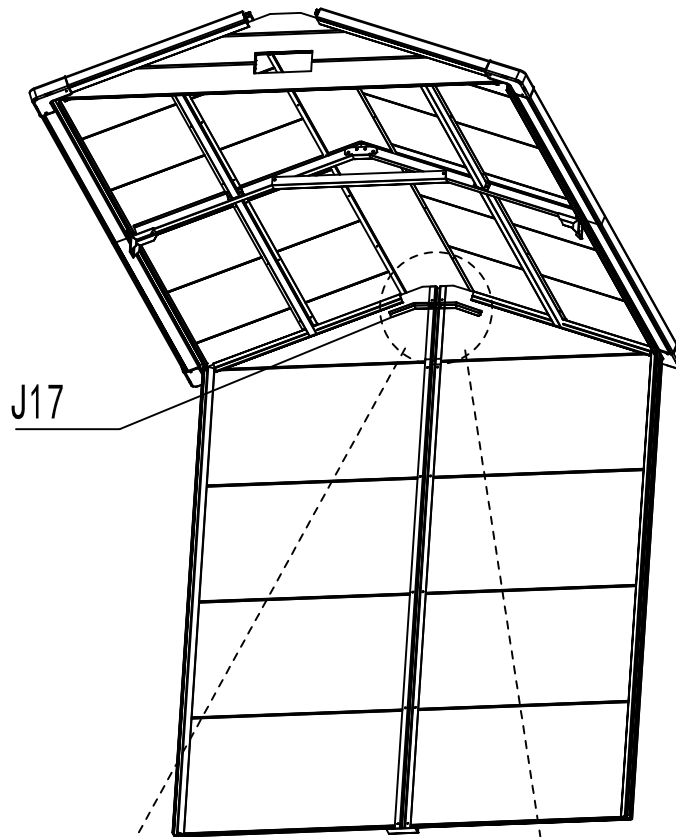
1PCS

4PCS



J17

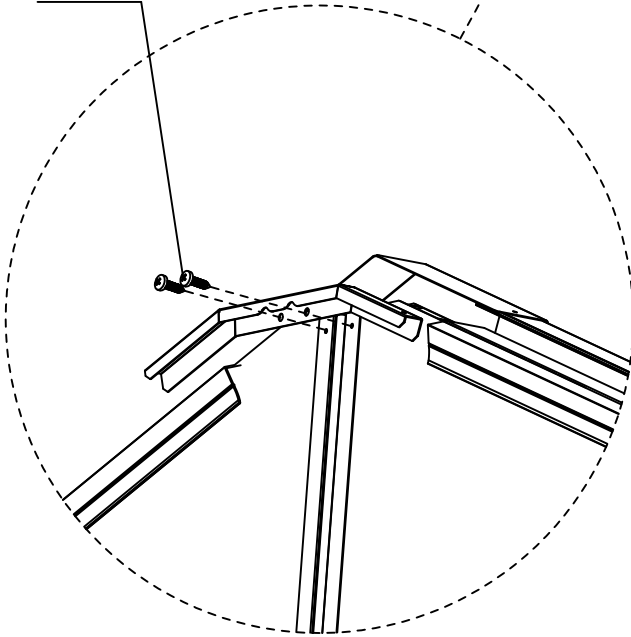
T1



Screw in according to the positions shown in the diagram.

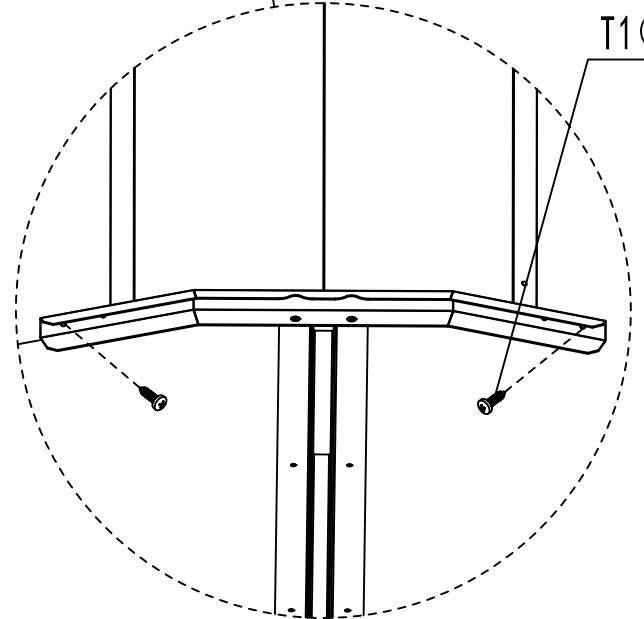
X2

T1

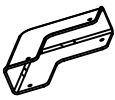


T1

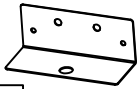
X2



4PCS



2PCS



4PCS



16PCS



SB

J1

T1

T3

SB

SB

J1

J1

SB

SB

Position the SB with the pre-drilled side facing down.

Screw in according to the positions shown in the diagram.

X2 T1

X16 T3

T1

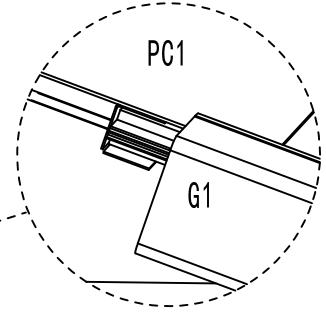
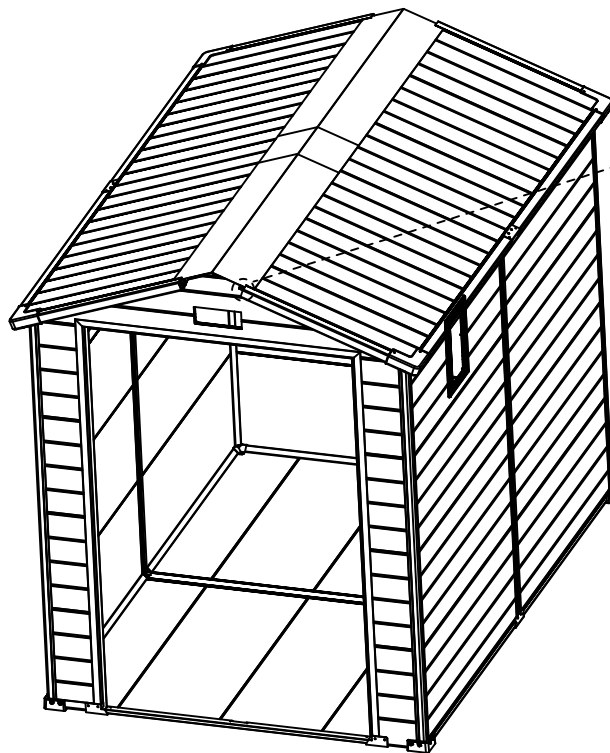
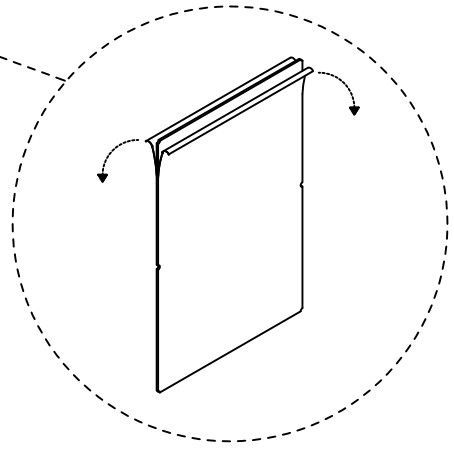
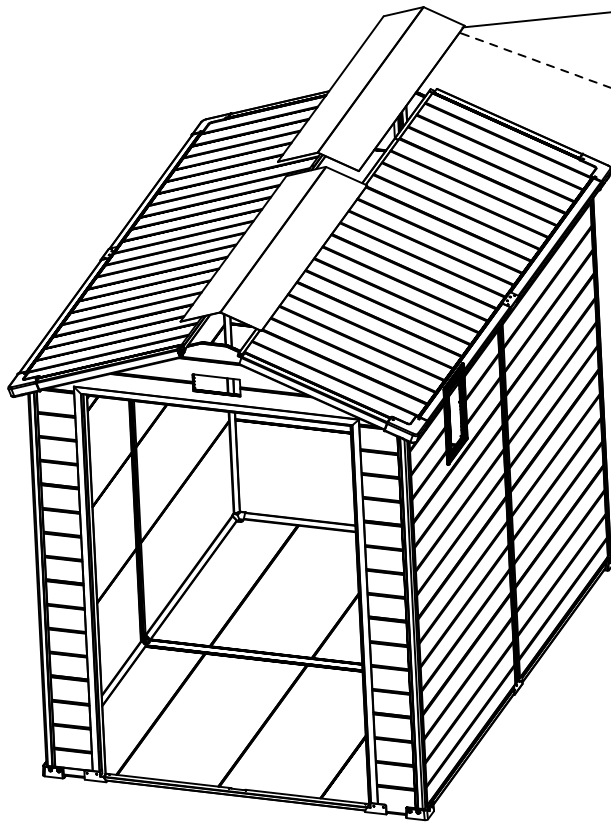
X2



PC

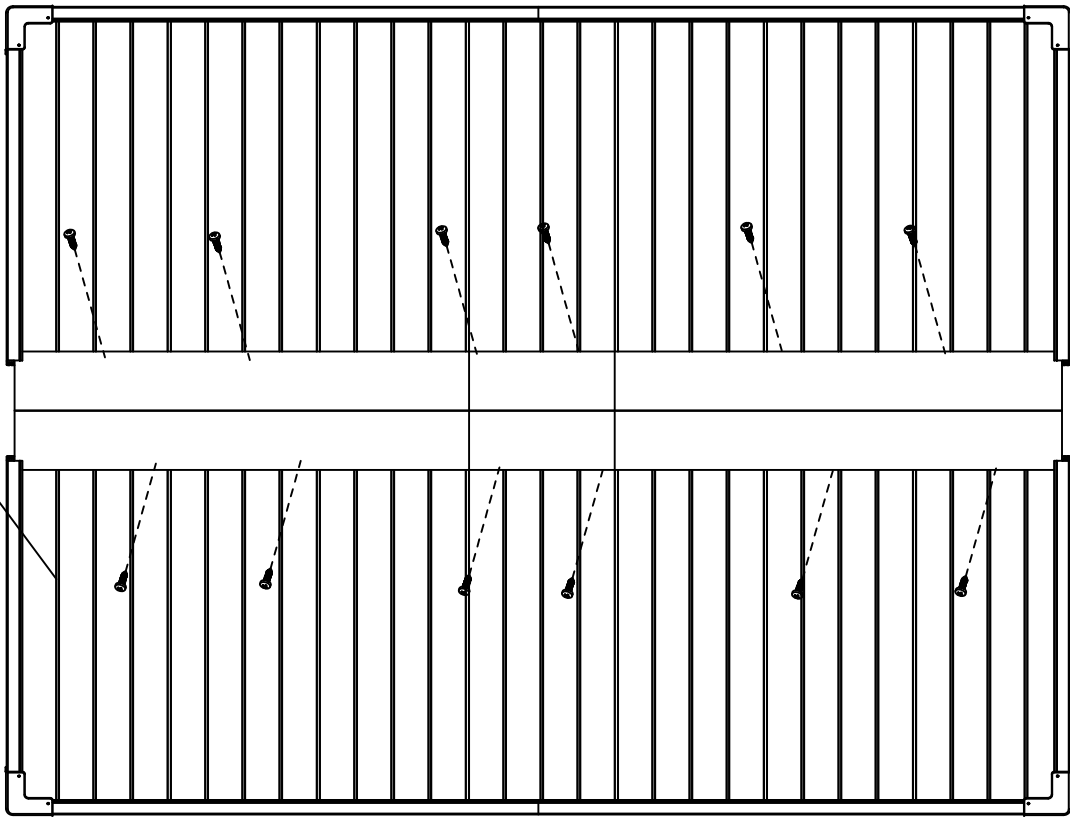
X2

Please peel off the film before installation.





T1



X12

T1

Safely get onto the roof using a ladder. Drill through the skylight panel where the holes are marked and secure it firmly.

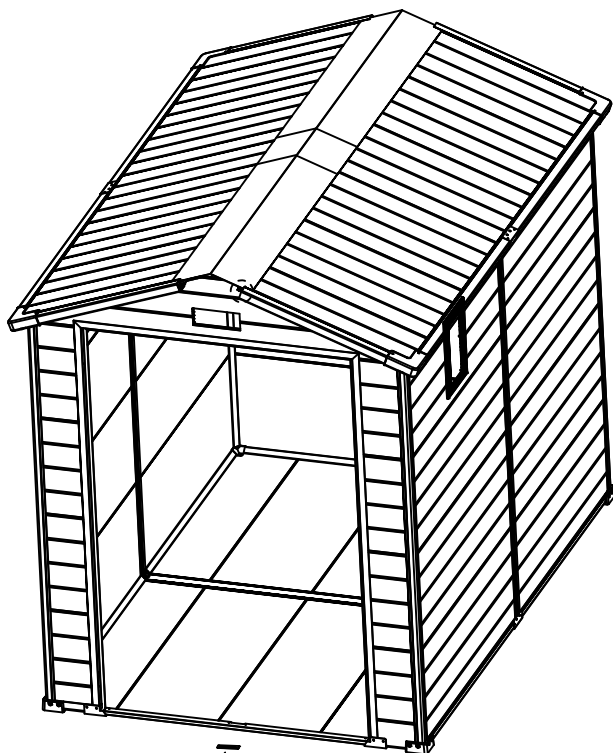
1PCS

2PCS

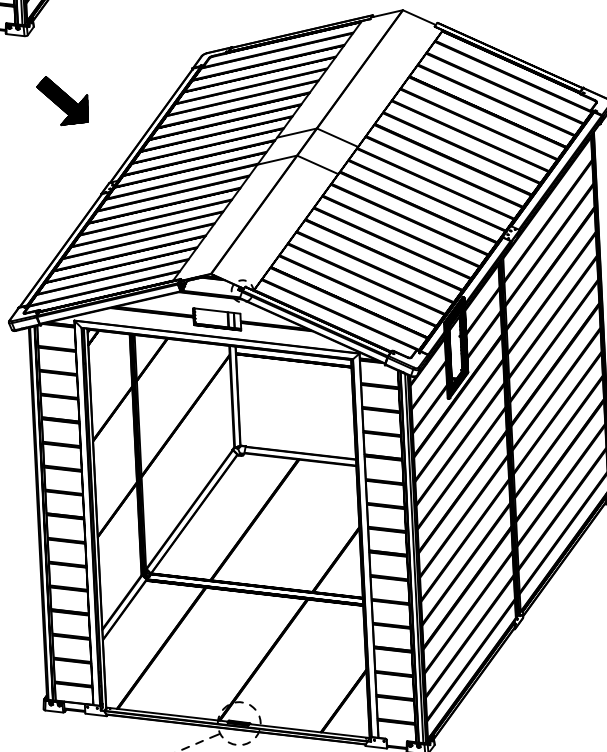


CXP

T1

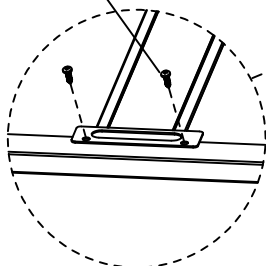


CXP



X2

T1



Screw in according to the positions shown in the diagram.

3PCS

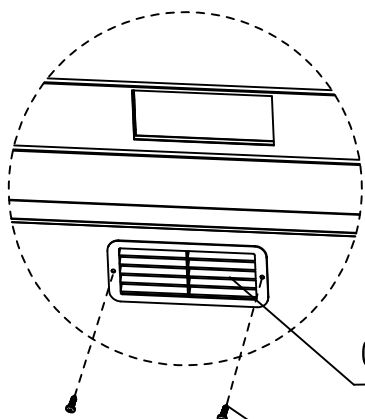
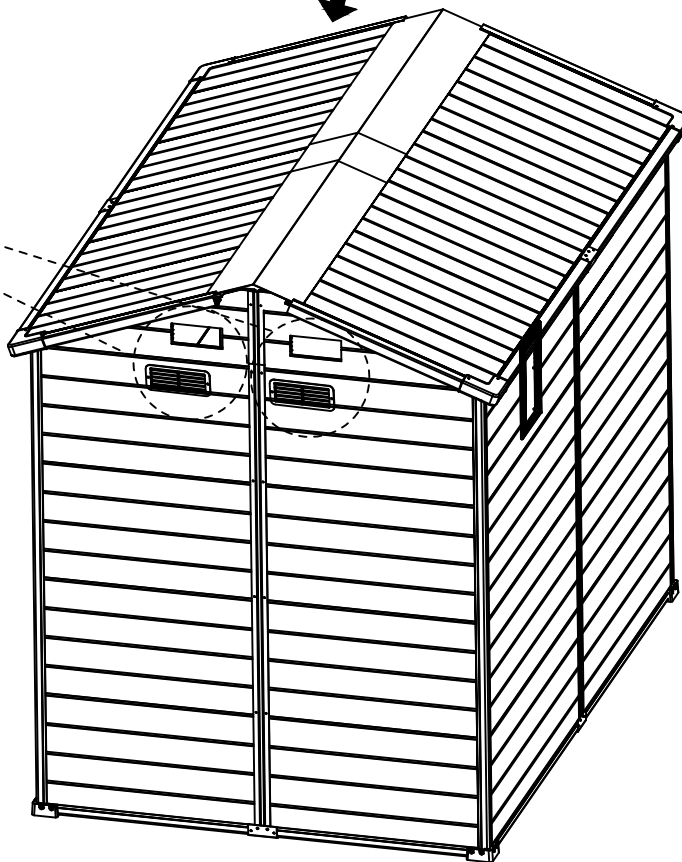
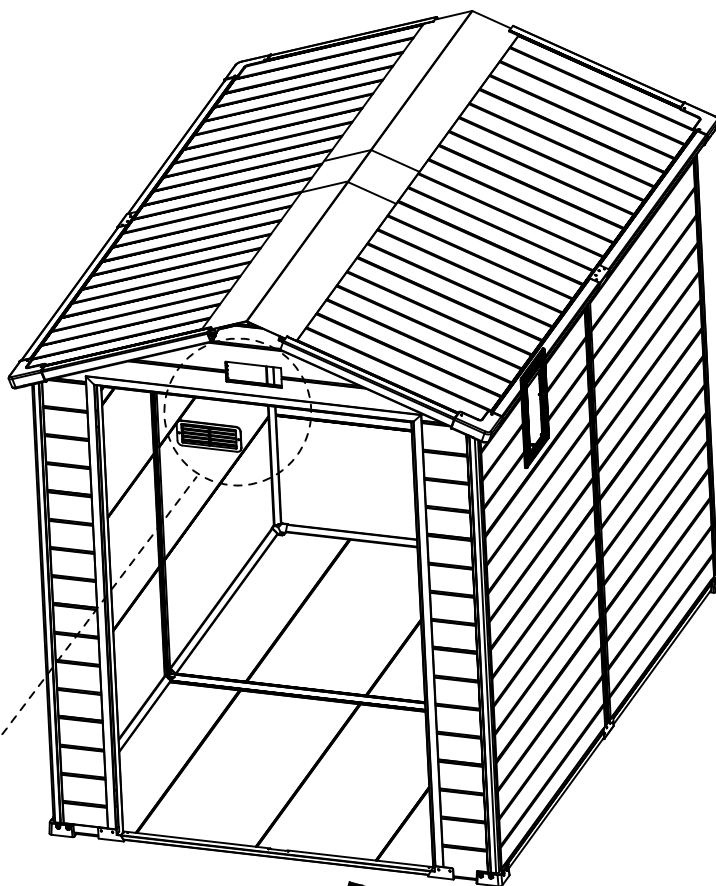


6PCS



GF

T1

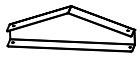


GF (X3)

T1 (X6)

Screw in according to the positions shown in the diagram.

2PCS

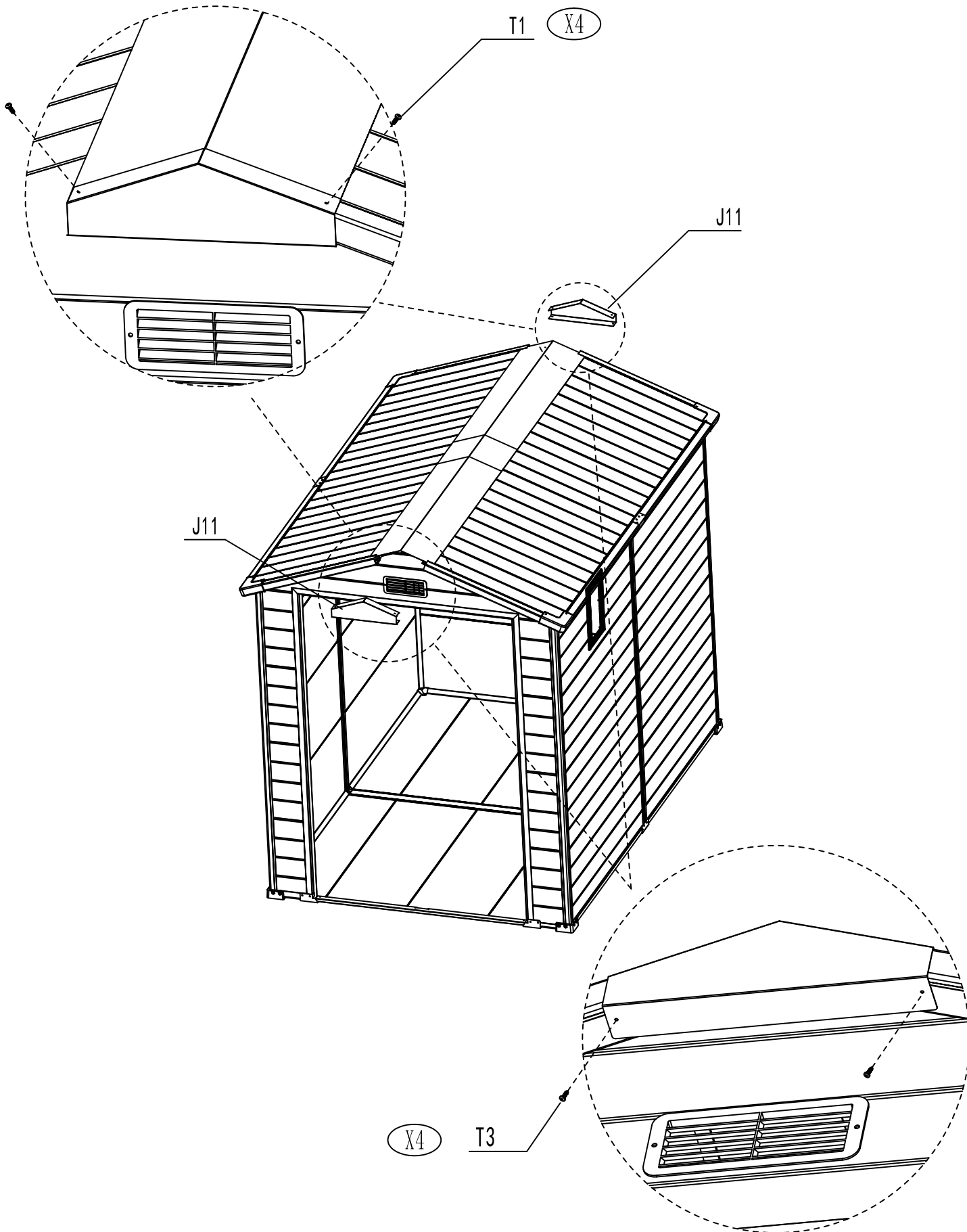


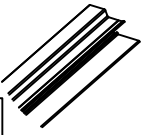
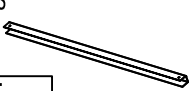
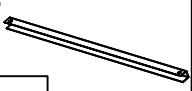
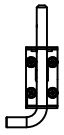

8PCS

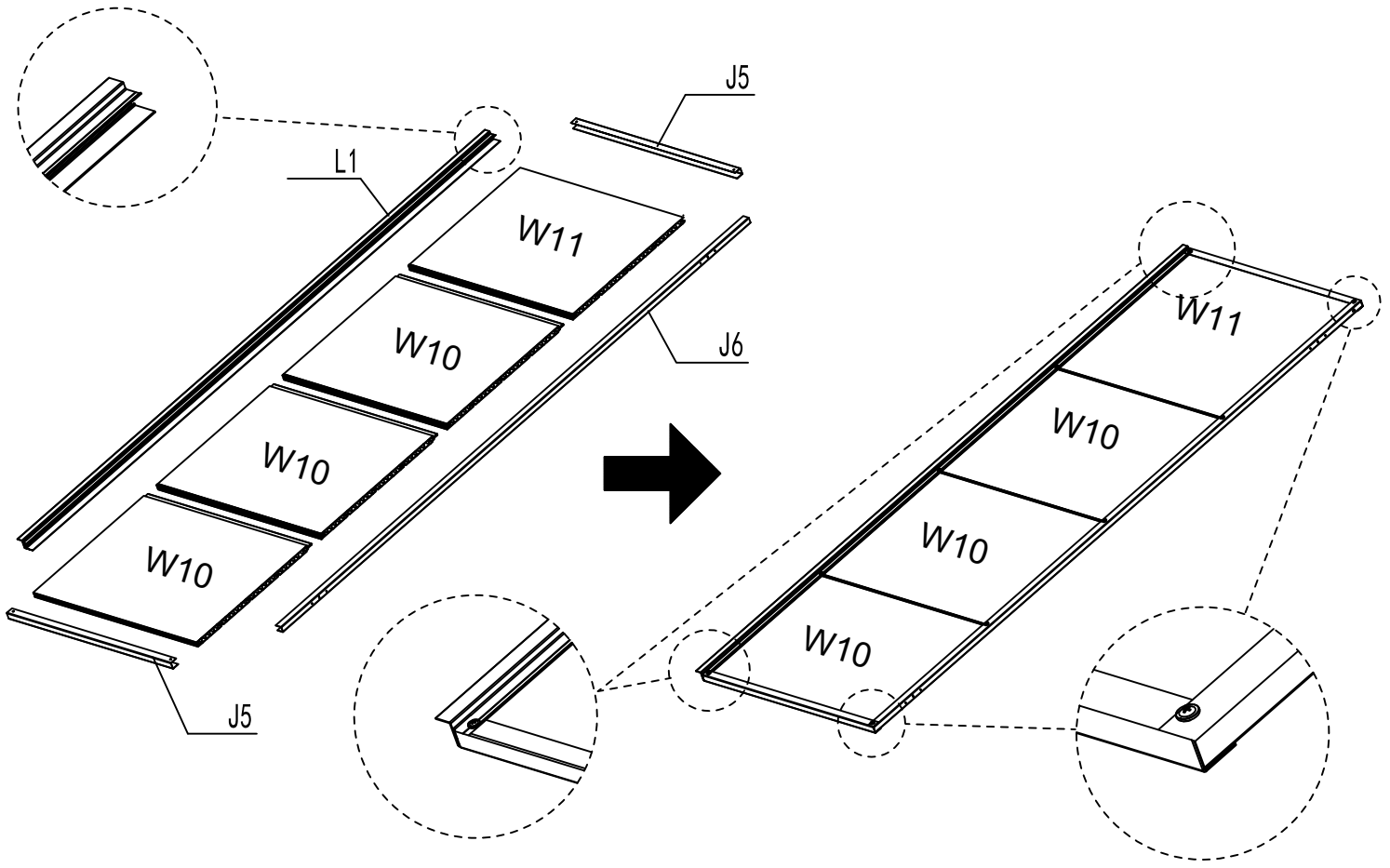


J11

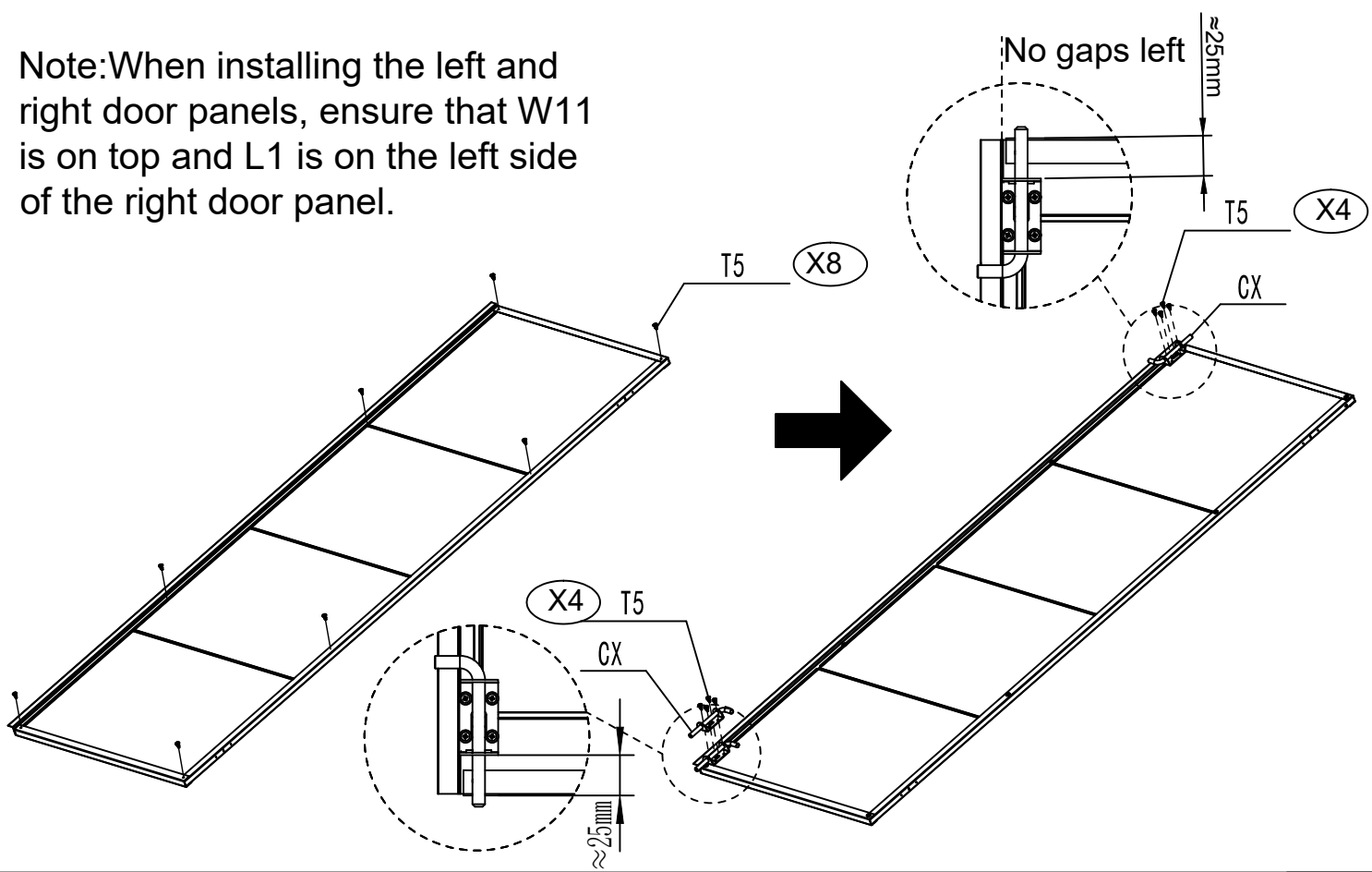
T3



1PCS		2PCS		1PCS		2PCS		16PCS	
L1		J5		J6		CX		T5	



Note: When installing the left and right door panels, ensure that W11 is on top and L1 is on the left side of the right door panel.



2PCS

2PCS

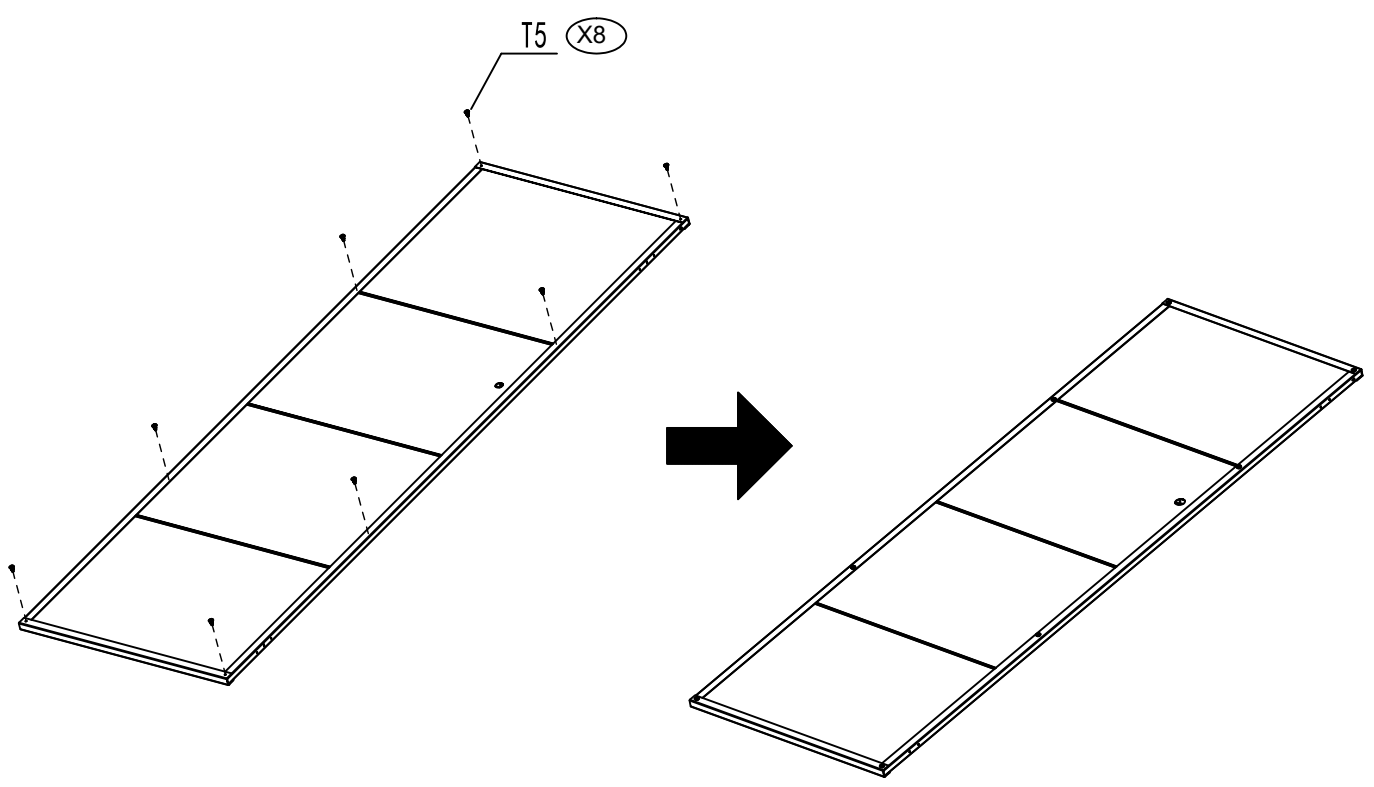
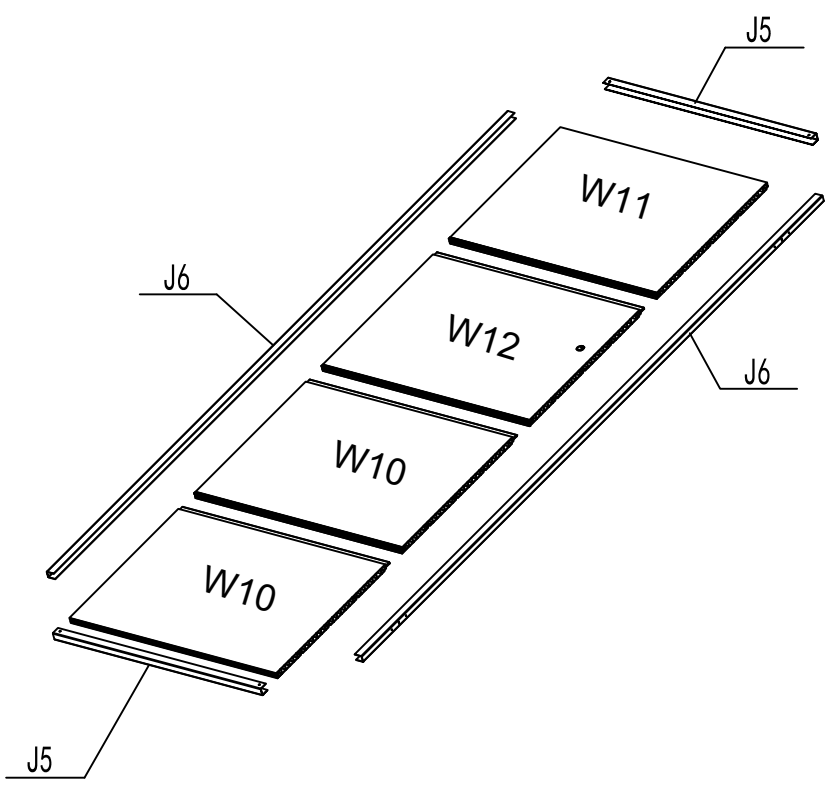
8PCS



J5

J6

T5



1PCS



2PCS

T7



1PCS



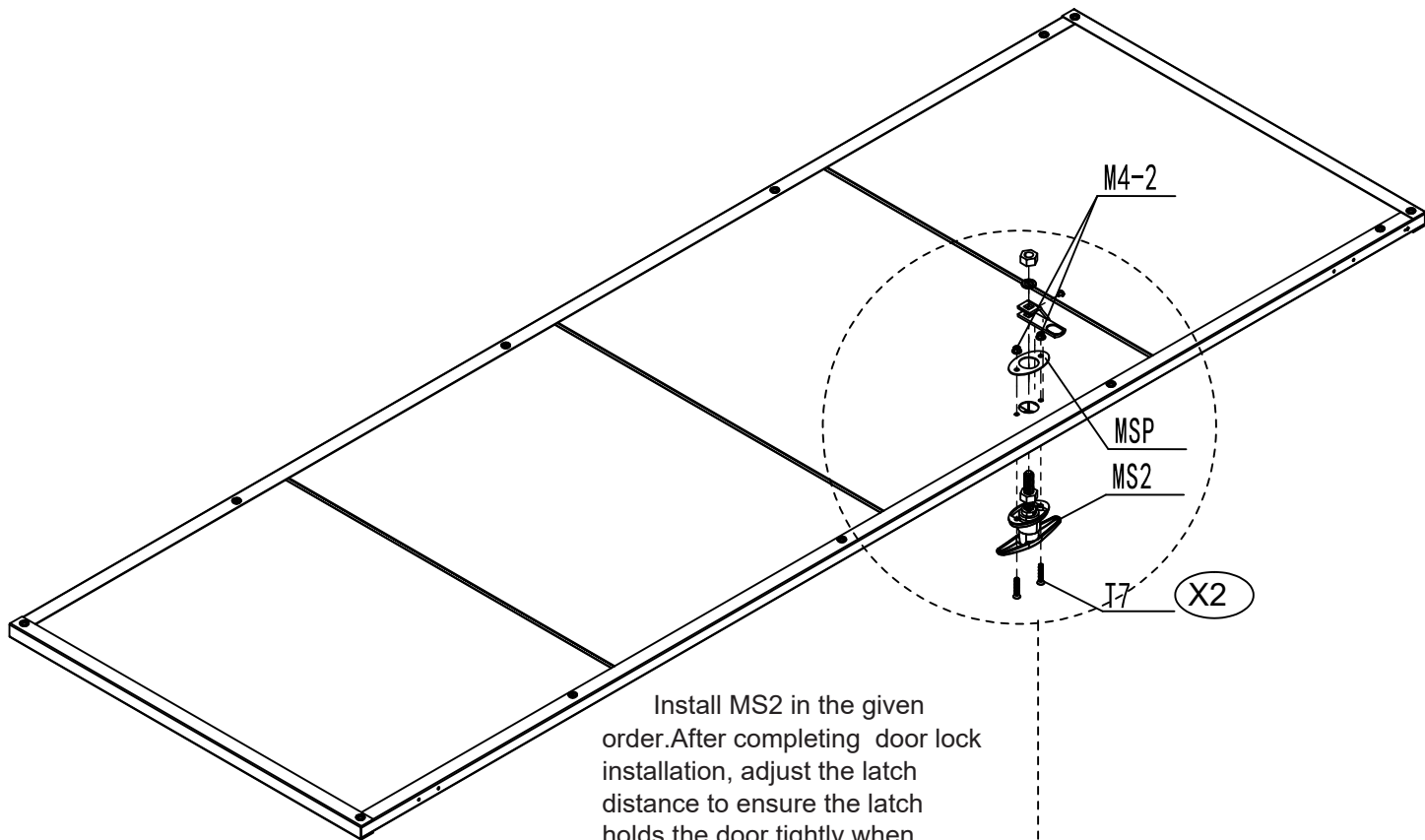
MSP

2PCS

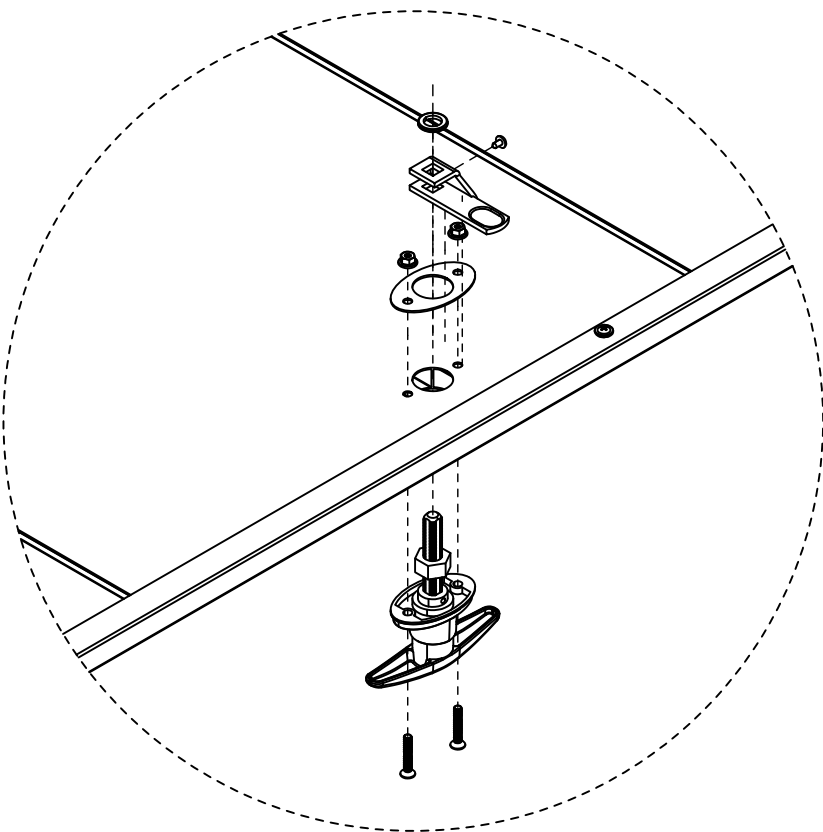
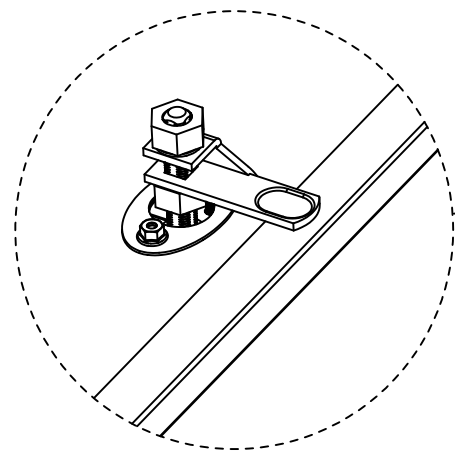


M4-2

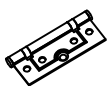
MS2



Install MS2 in the given order. After completing door lock installation, adjust the latch distance to ensure the latch holds the door tightly when closed.



2PCS

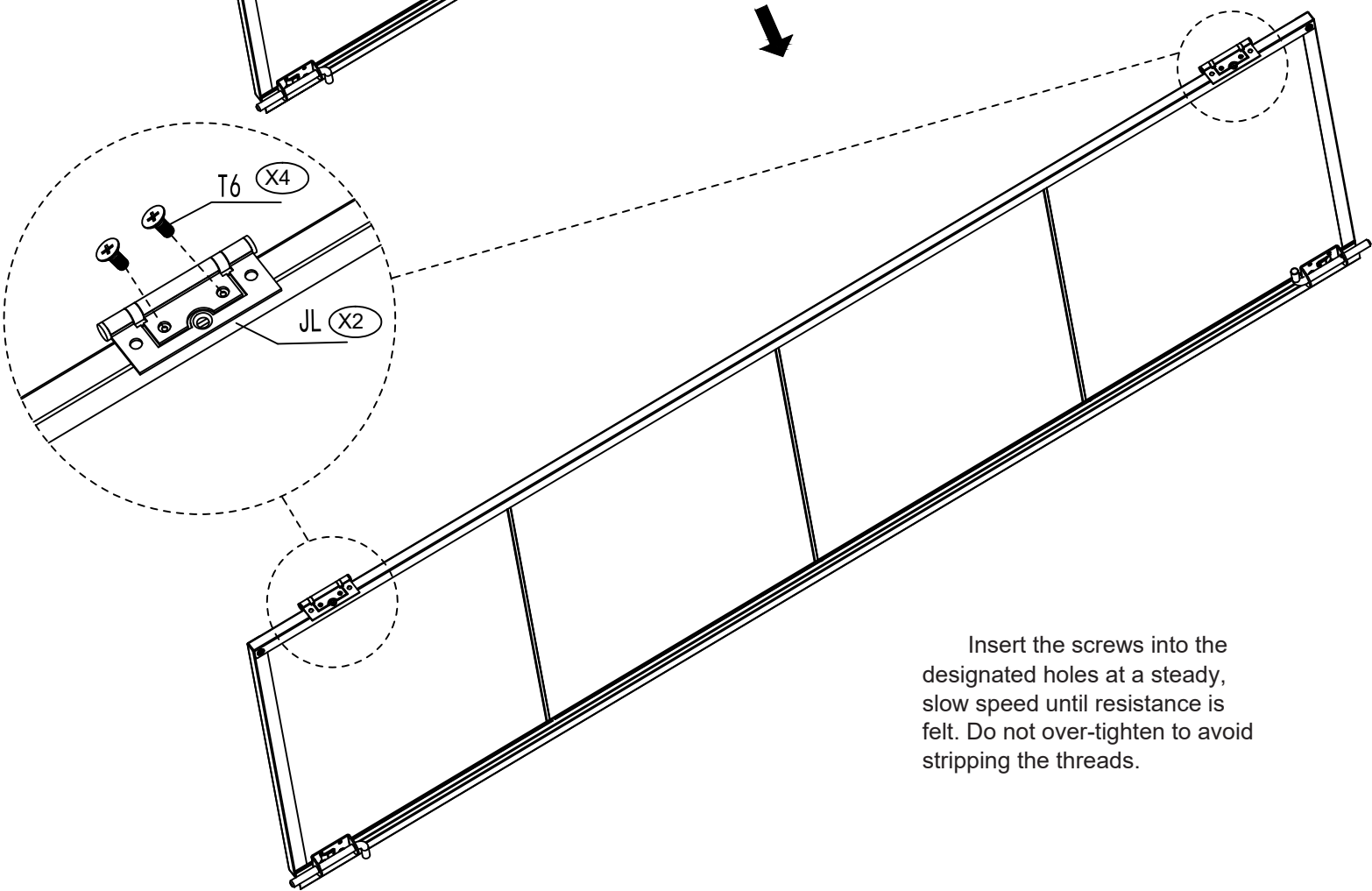
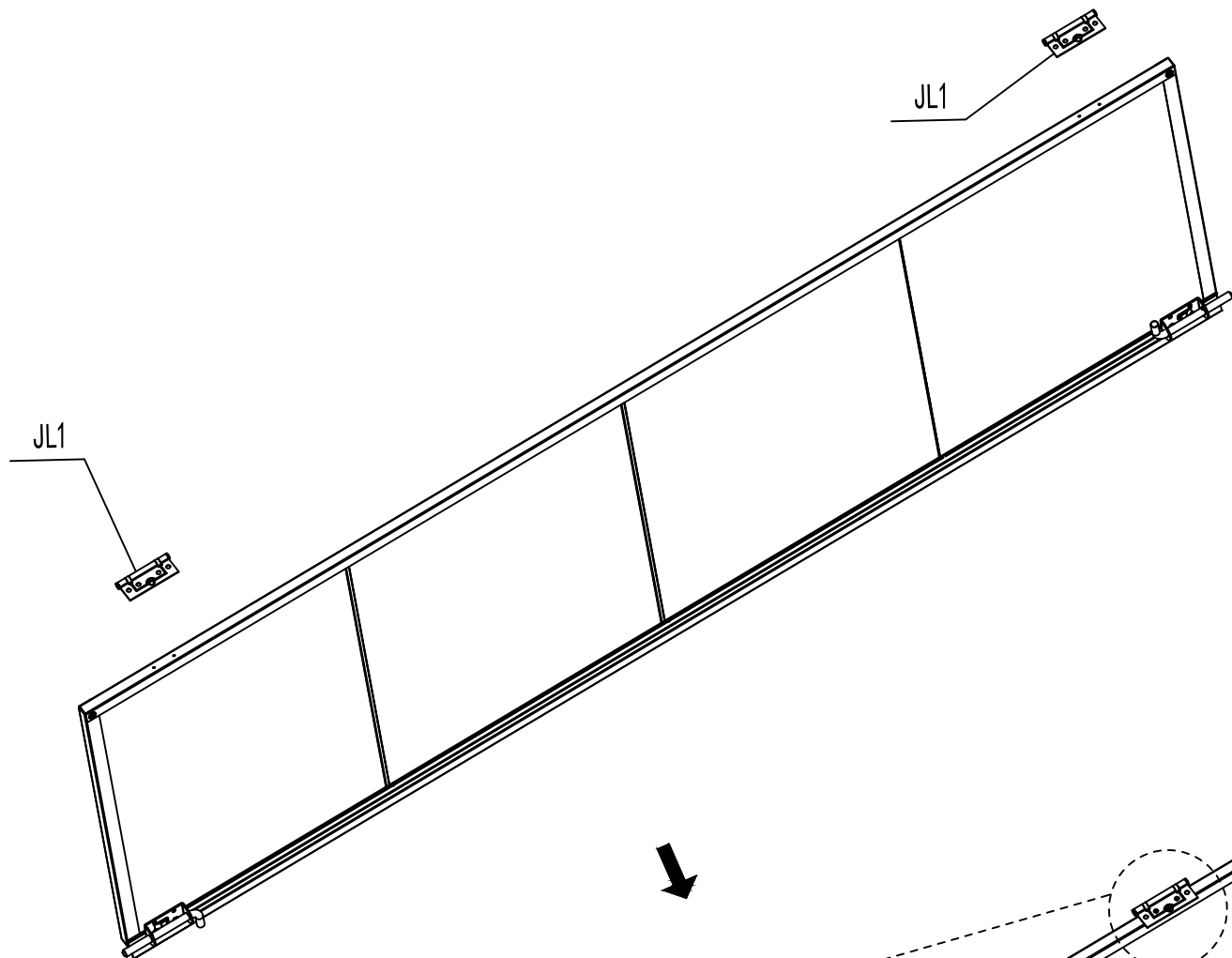


4PCS



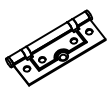
JL1

T6



Insert the screws into the designated holes at a steady, slow speed until resistance is felt. Do not over-tighten to avoid stripping the threads.

2PCS

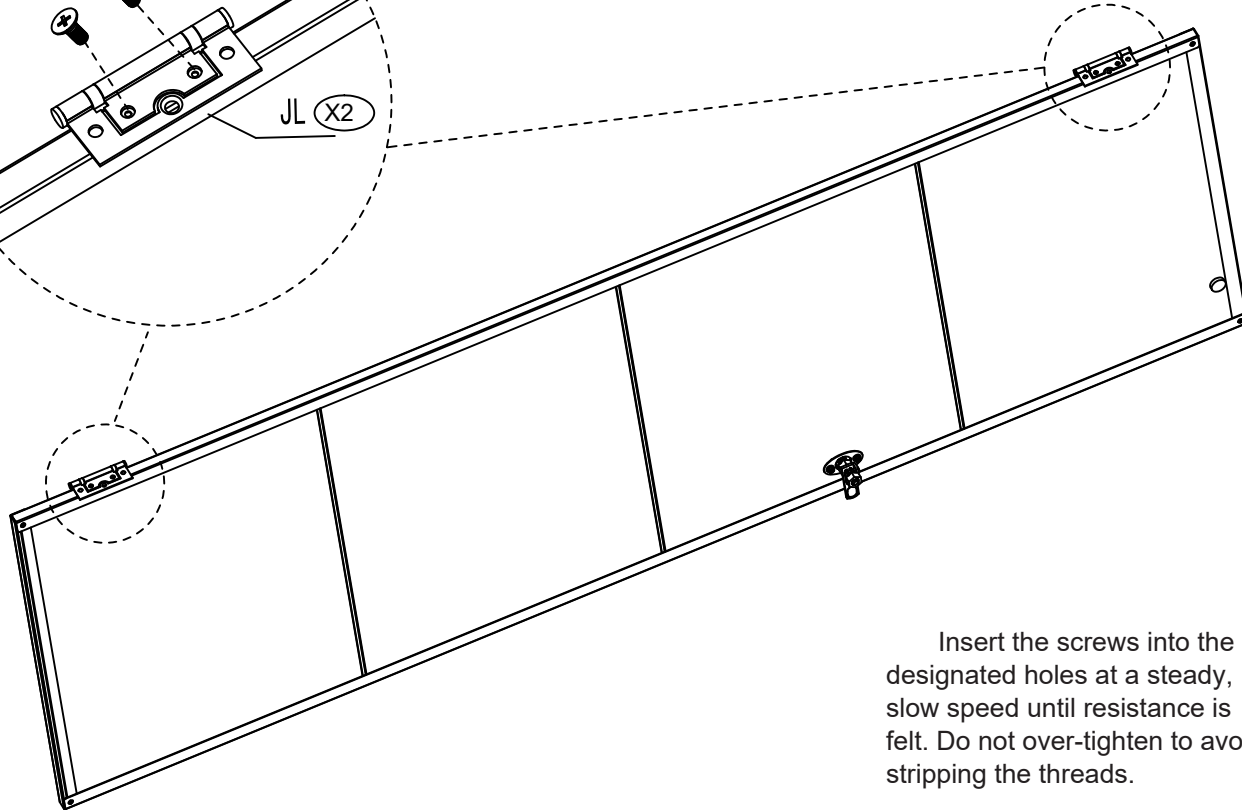
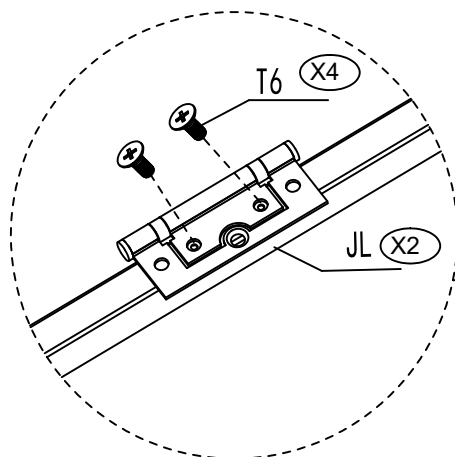
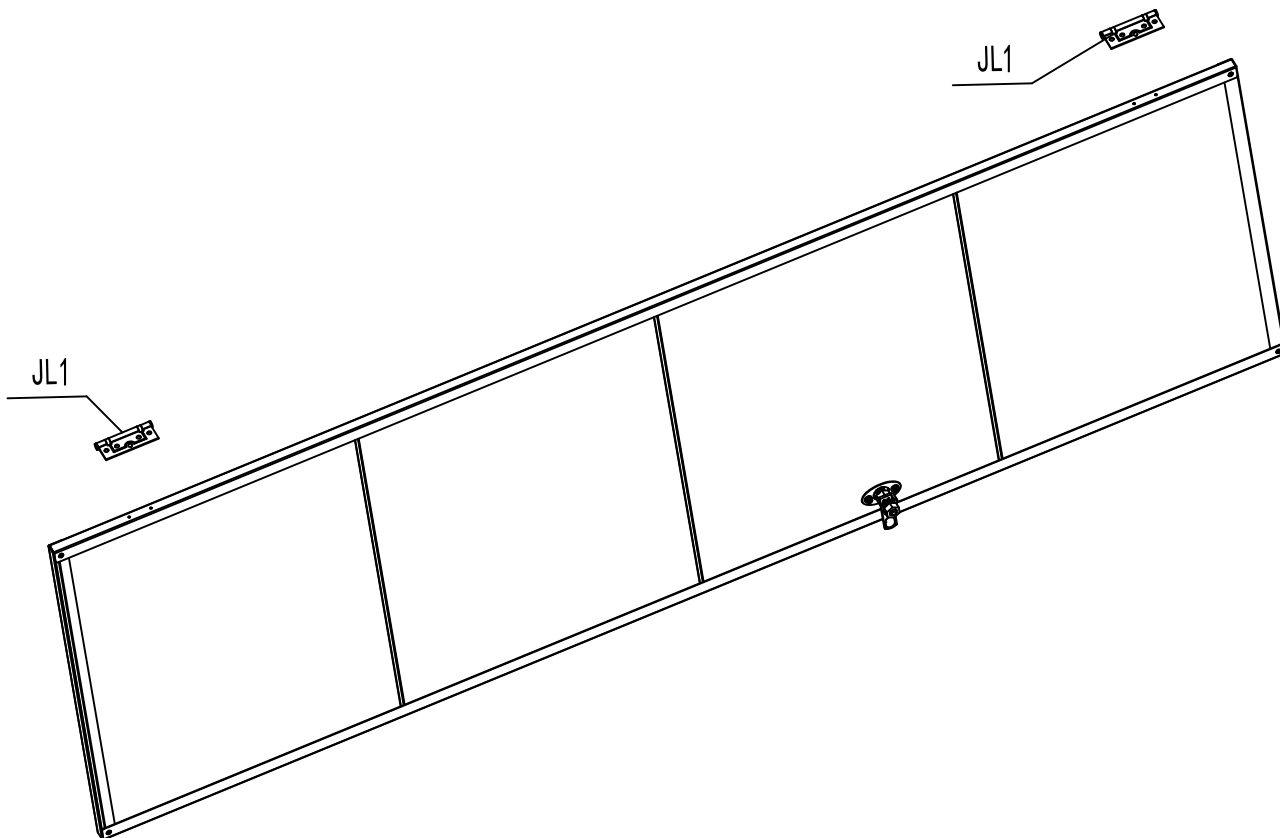


4PCS

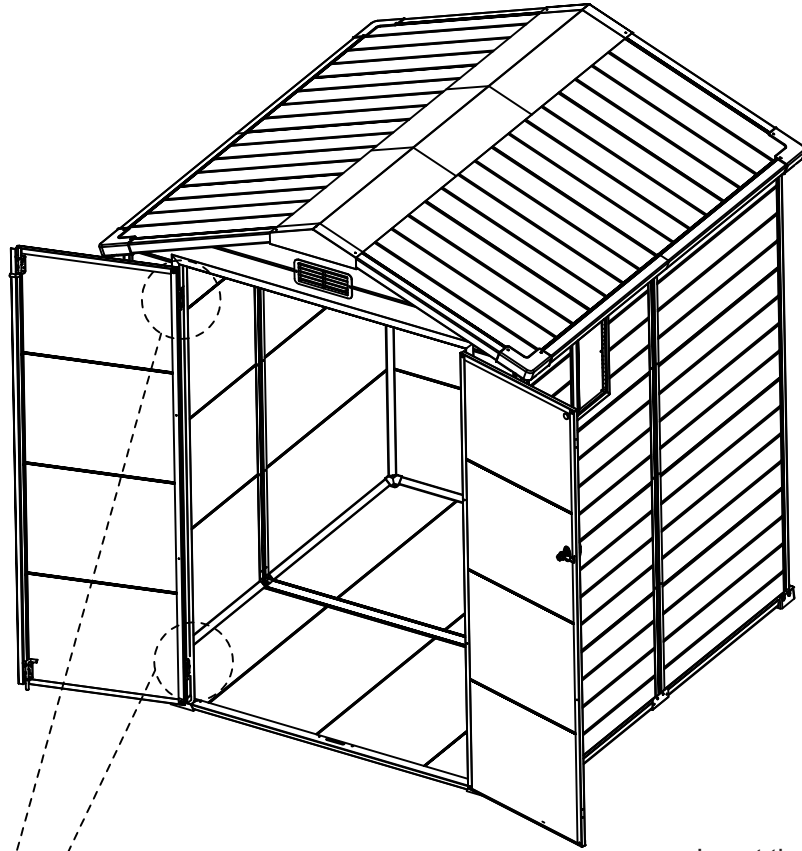


JL1

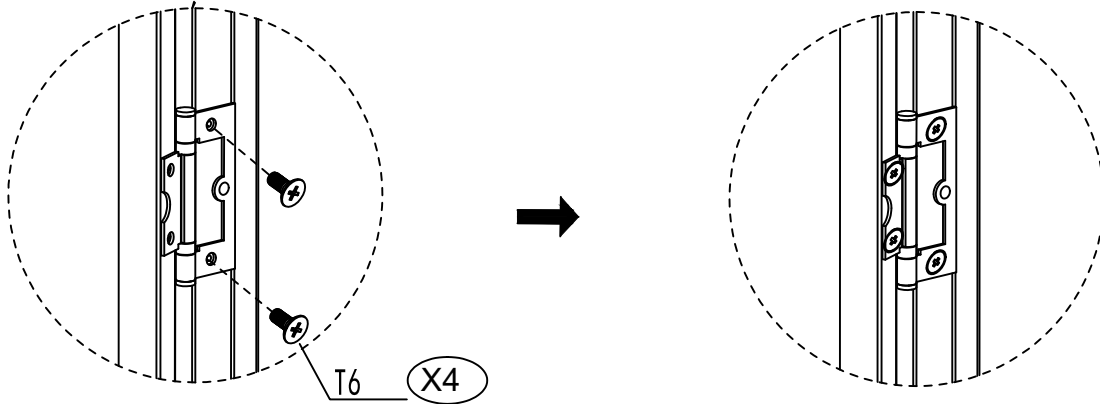
T6



Insert the screws into the designated holes at a steady, slow speed until resistance is felt. Do not over-tighten to avoid stripping the threads.



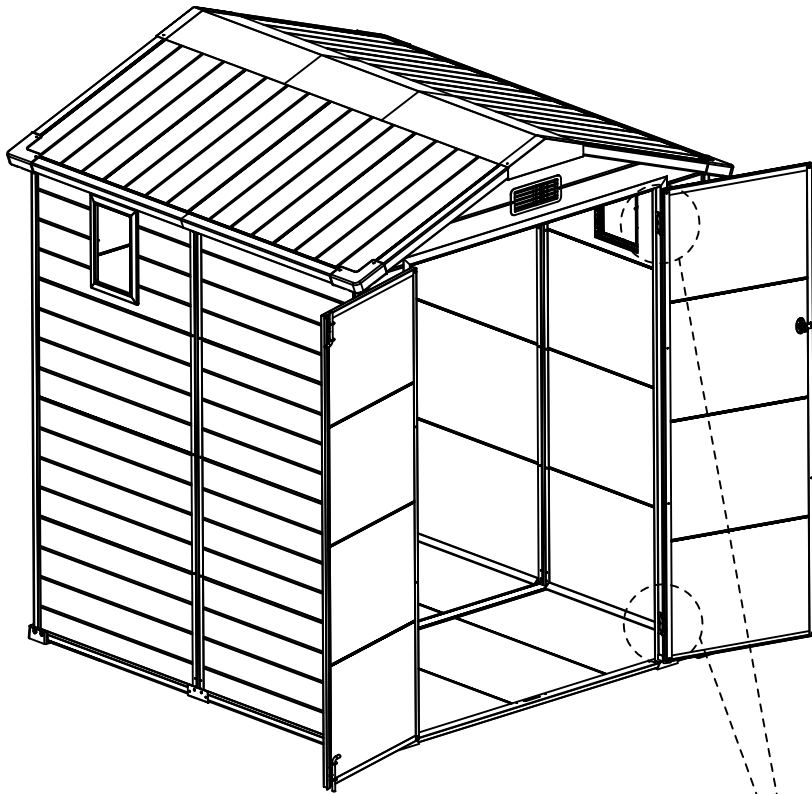
Insert the screws into the designated holes at a steady, slow speed until resistance is felt. Do not over-tighten to avoid stripping the threads.



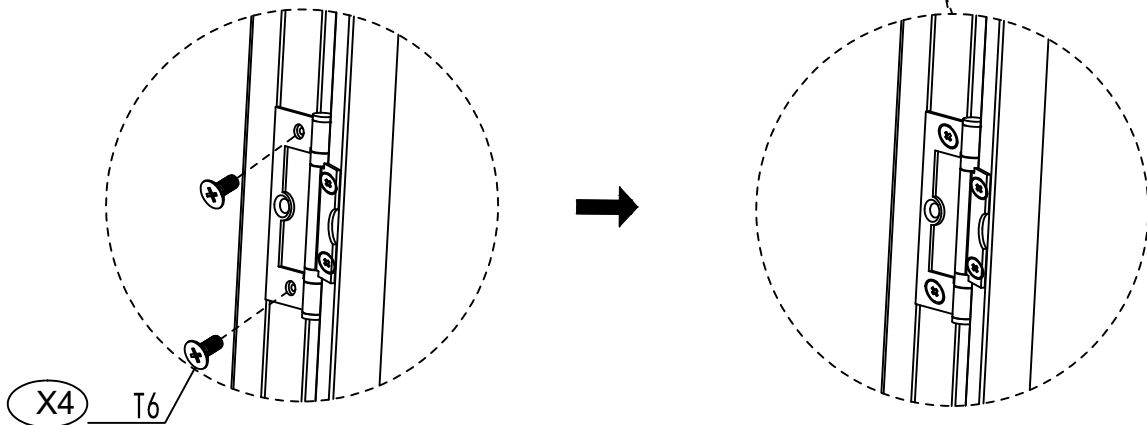
4PCS



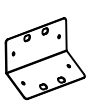
T6



Insert the screws into the designated holes at a steady, slow speed until resistance is felt. Do not over-tighten to avoid stripping the threads.



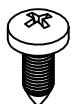
3PCS



4PCS



6PCS



14PCS

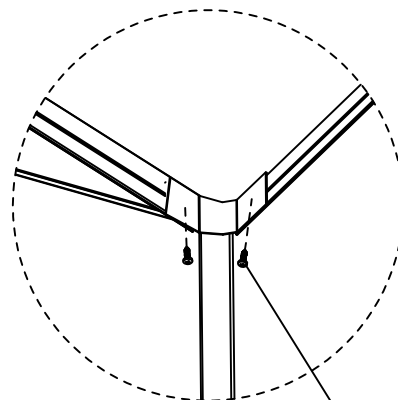
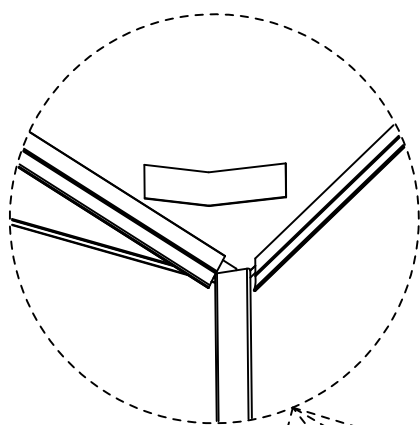


ZC1

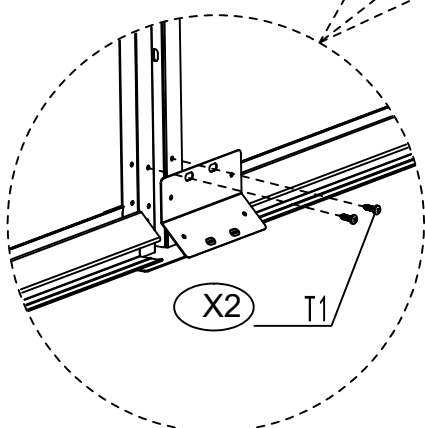
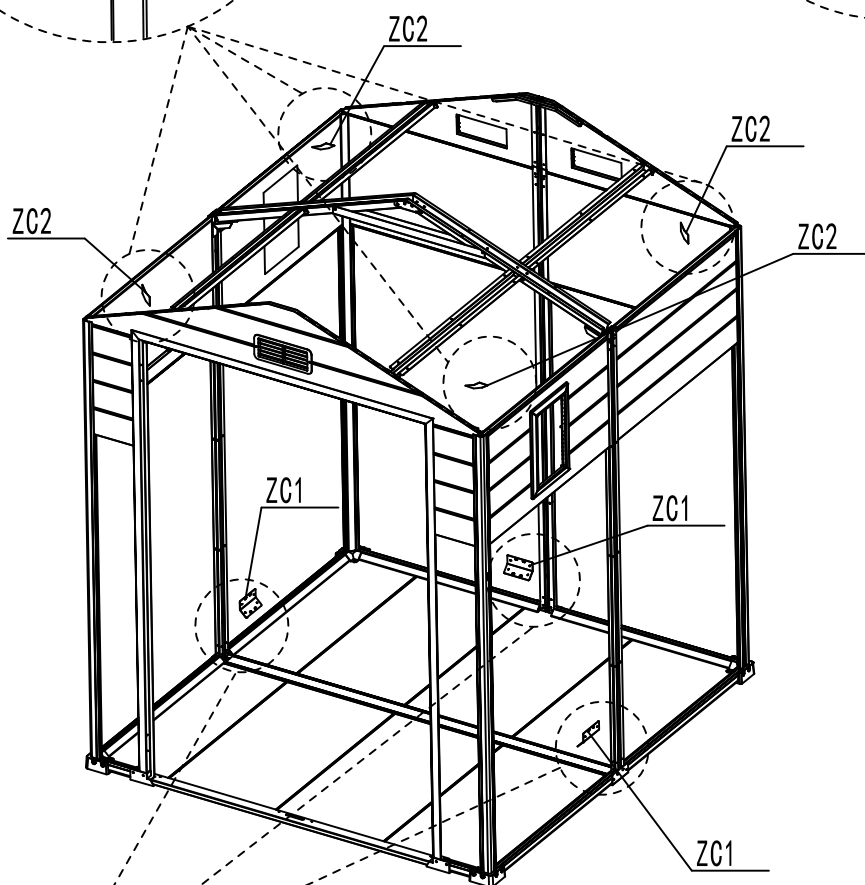
ZC2

T1

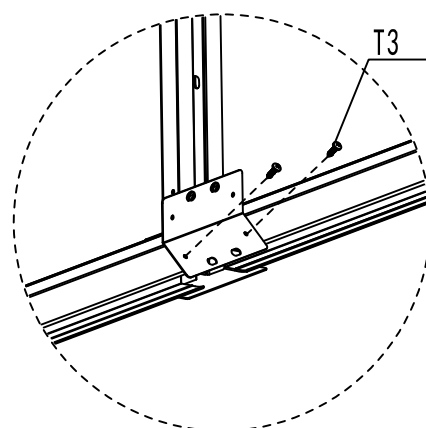
T3



T3 (X2)



ZC1 (X2)



T3 (X2)

