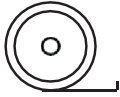


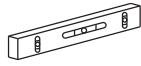
Installation Instructions for LED Mirror Cabinet

Note: To ensure general use of this product please follow the installation instructions carefully. Must be installed indoors and on a suitable load bearing wall. Installation should be done by a licensed contractor and/or electrician. Only a clean soft cloth should be used to clean this product.

Tools used



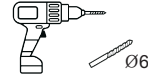
Measuring Tape



Levelling Ruler



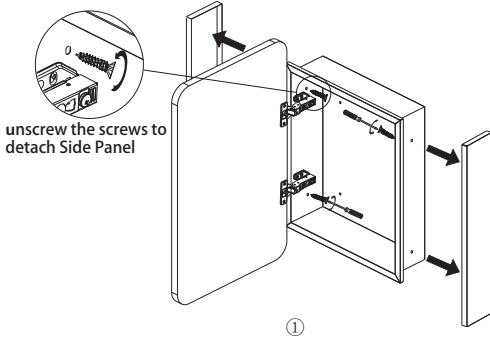
Screwdrivers



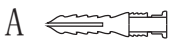
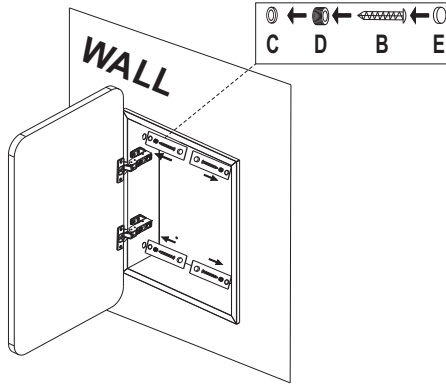
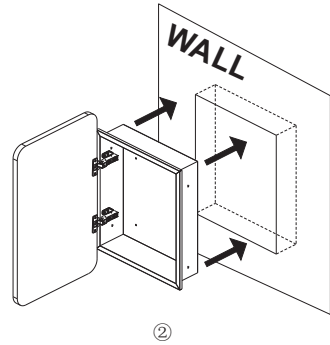
Drill with Bits



Hammers



unscrew the screws to detach Side Panel



Installation Instructions (Recessed Mounted) :

Fig①: Use a screwdriver to remove "B" and then remove the side panel.

Fig②: Measure the length, width and depth of the back of the product and make the corresponding marks on the wall.

Fig③: Cut a hole according to the mark and nest the product in. Hold the mirror cabinet and install mounting hardware "B" "C" "D", and "E" as shown in the illustration.

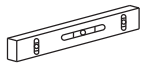
Installation Instructions for LED Mirror Cabinet

Note: To ensure general use of this product please follow the installation instructions carefully. Must be installed indoors and on a suitable load bearing wall. Installation should be done by a licensed contractor and/or electrician. Only a clean soft cloth should be used to clean this product.

Tools used



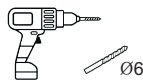
Measuring Tape



Levelling Ruler



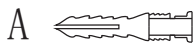
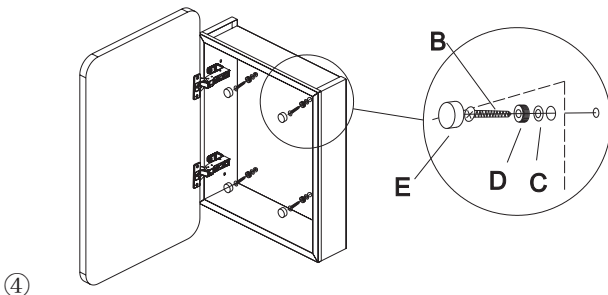
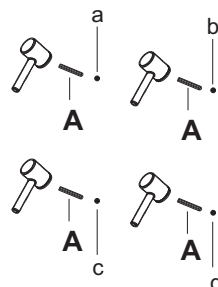
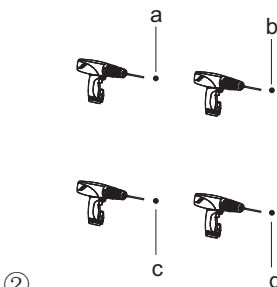
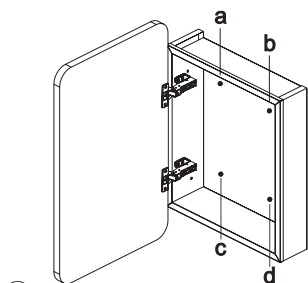
Screwdrivers



Drill with Bits



Hammers



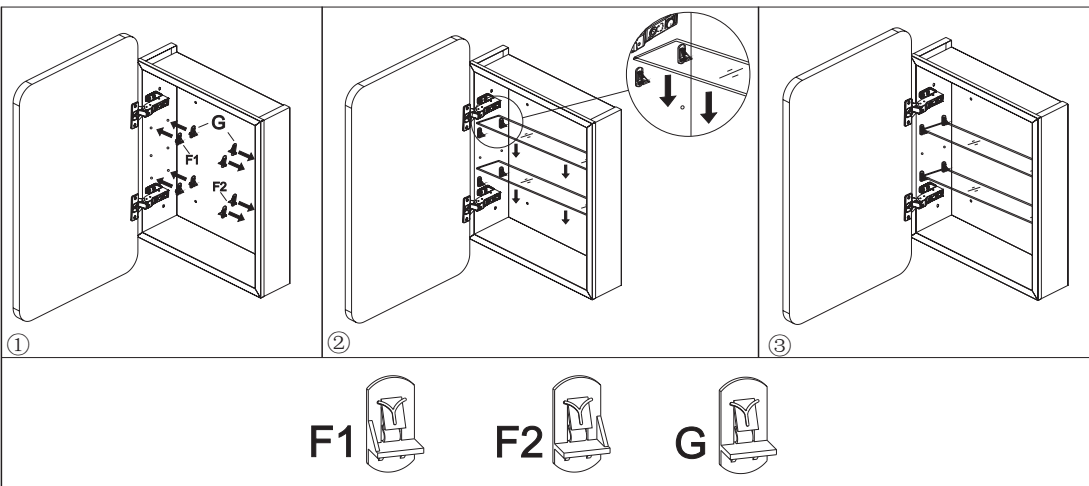
Installation Instructions:

Fig①: Position the cabinet, mark the a/b/c/d mounting holes from inside onto the wall.

Fig②: Use the marks to pre-drill holes.

Fig③: Hammer “A” anchors into the pre-drilled holes.

Fig④: Hold the mirror cabinet and install mounting hardware “B”“C”“D”,and “E” as shown in the illustration.

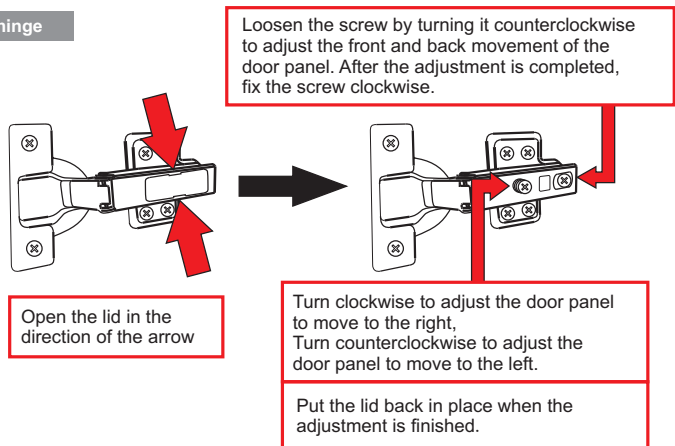


How to install the glass shelf?

Fig①: Insert the provided shelf clips (F1/F2/G) into the round holes on both sides of the cabinet.

Fig②: After installing the shelf clips, insert the glass shelf(s).

How to adjust the hinge



Function Description

| | |
|------------------------|--|
| | There is a white shaver socket on the frame, and with a sign on its cover. The maximum power of electrical appliances using this shaver socket cannot exceed 1000 watts. |
| | Click to turn on the light. If the product comes with an anti-fog film, but there is no anti-fog film button, this switch will turn on together. Long Press to adjust the brightness. Antifogging works when it's brightest, and it doesn't work when it's darkest. |
| | Click to open the anti-fog film mode. |
| Three-button Bluetooth | Please see the separate Bluetooth manual for detailed operation. |
| Six-button Bluetooth | Please see the separate Bluetooth manual for detailed operation. |

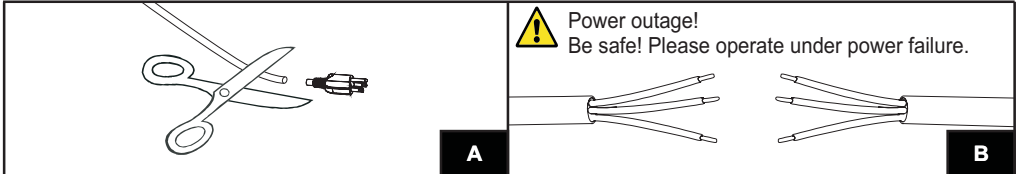
Circuit wiring

If there is no outlet nearby, or you want to hide the power cord, you can do so:

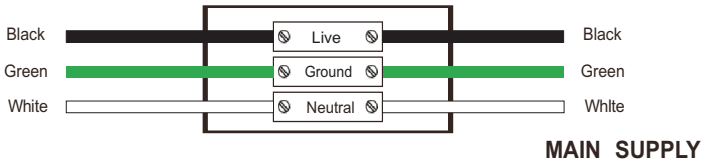
FigA: Cut the plug and strip the power cord to reveal the three wires inside

Fig B: Disconnect the power, then connect the product's wires to the household electrical circuit while ensuring safety.

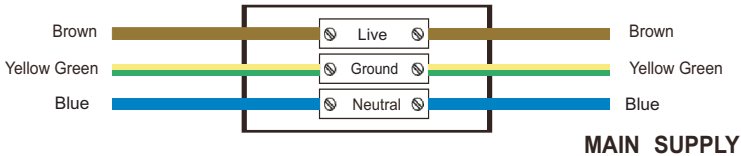
Please refer to the figure below for the connection path.



Input terminal wiring diagram for US specifications



Input terminal wiring diagram for European specifications



Use and Maintenance

- Clean the product with soft cloth and mild detergent. Do not use abrasives or chemical cleaners, or leave any chemicals on the surface such as bath solution, shampoo as they may damage the mirror.
- Never forget to turn off the power switch in storm days, otherwise lightning may damage electric elements of the product.
- During normal operation, never forcibly pull out the power plug to stop the product, or otherwise, electric elements of the product may be damaged.
- Please isolate the power plug if the product is not being used for an extended time.
- Keep this product away from rain or moisture.
- Any question ? Please Contact : kaasun@kaasun.com