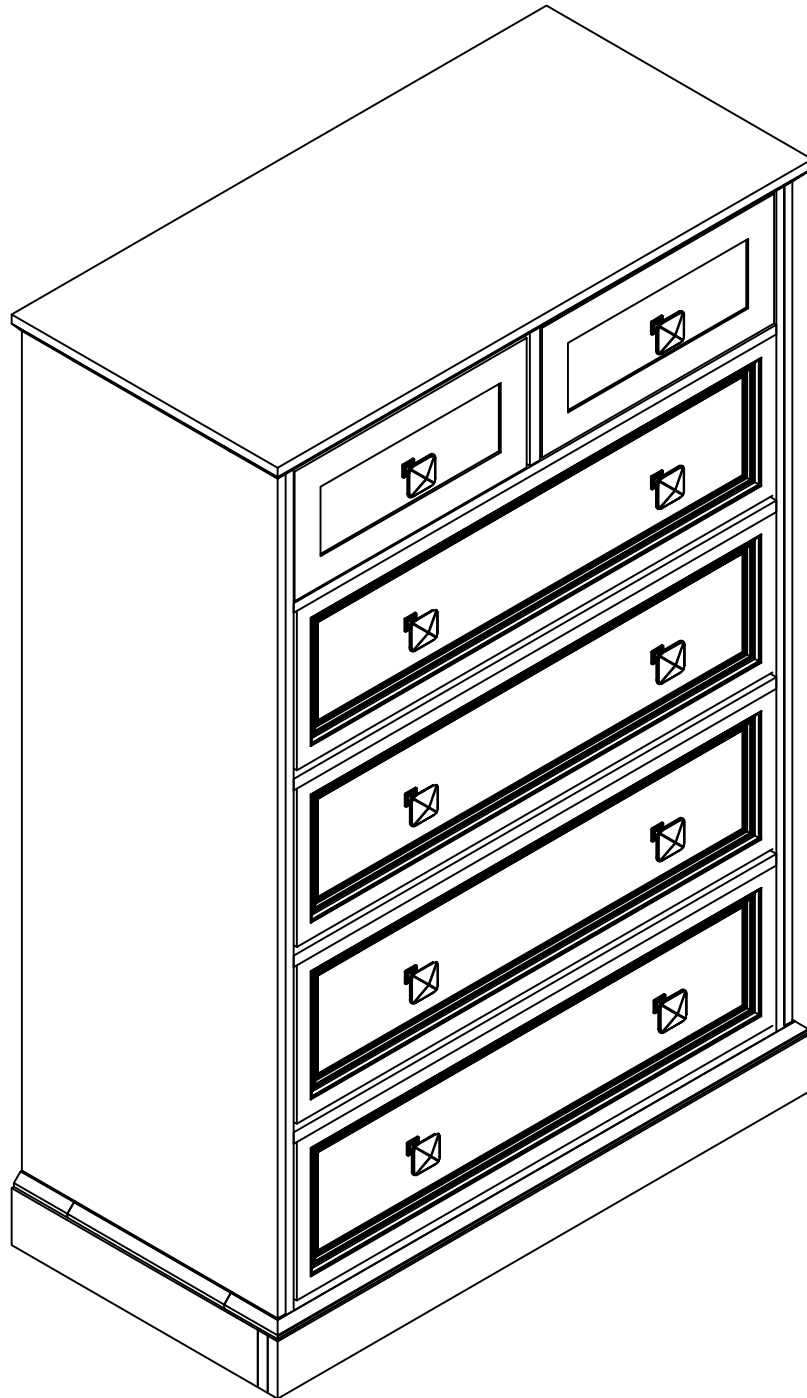
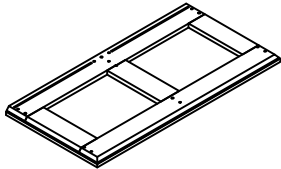
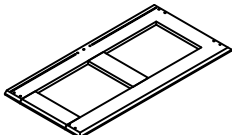
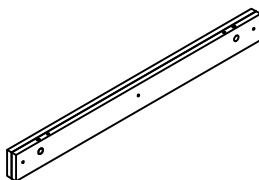
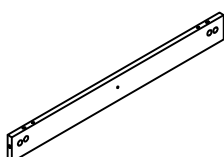
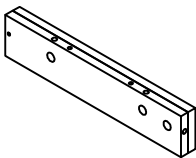
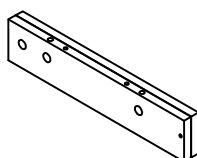
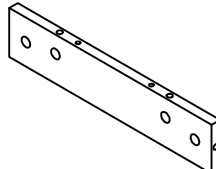
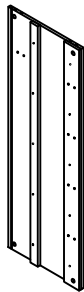
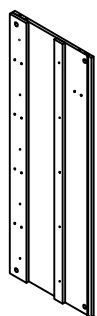
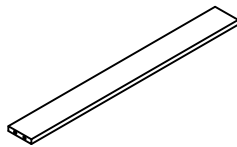
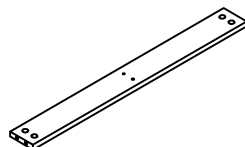
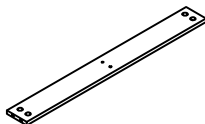
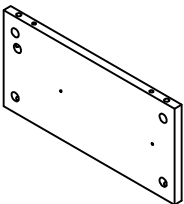


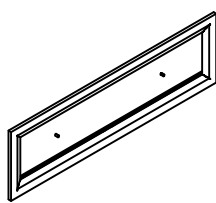
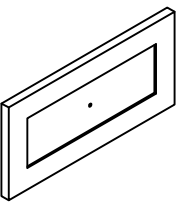
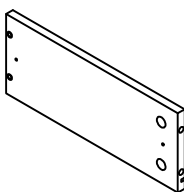
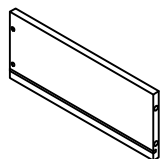
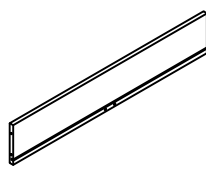
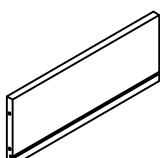
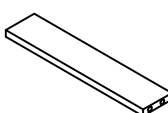
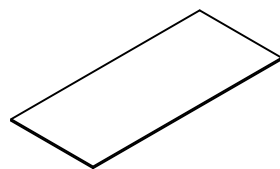
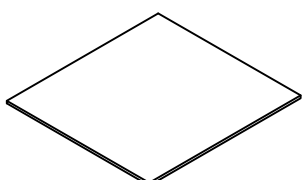
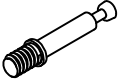

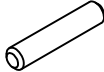
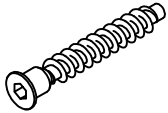
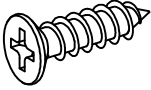
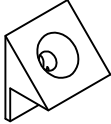
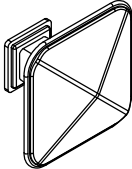

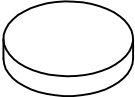
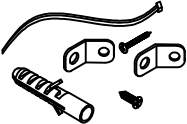
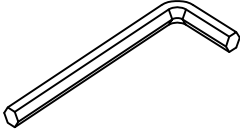
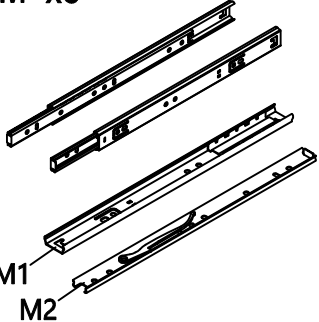

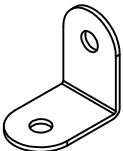
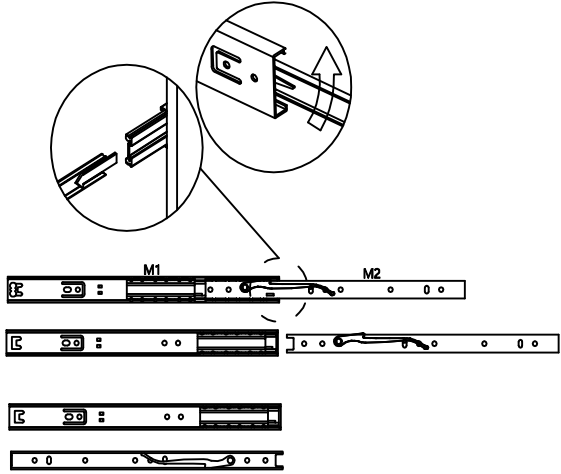
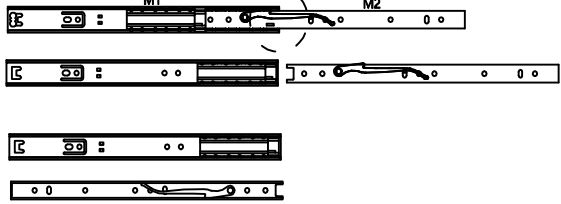


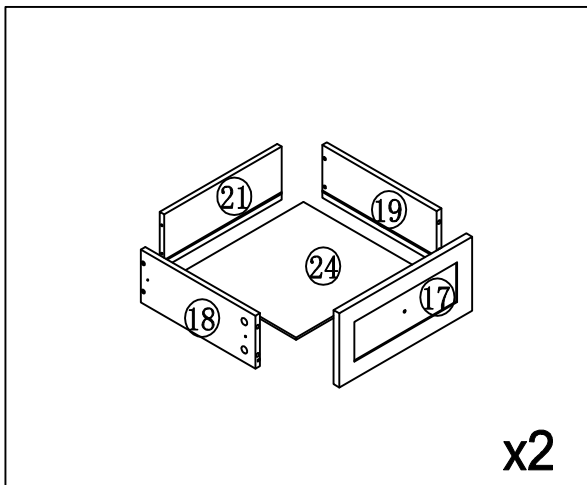
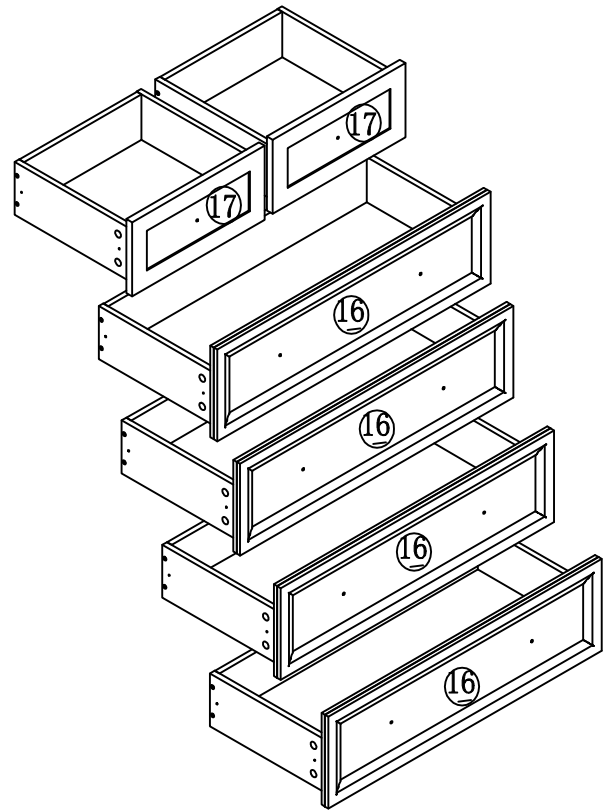
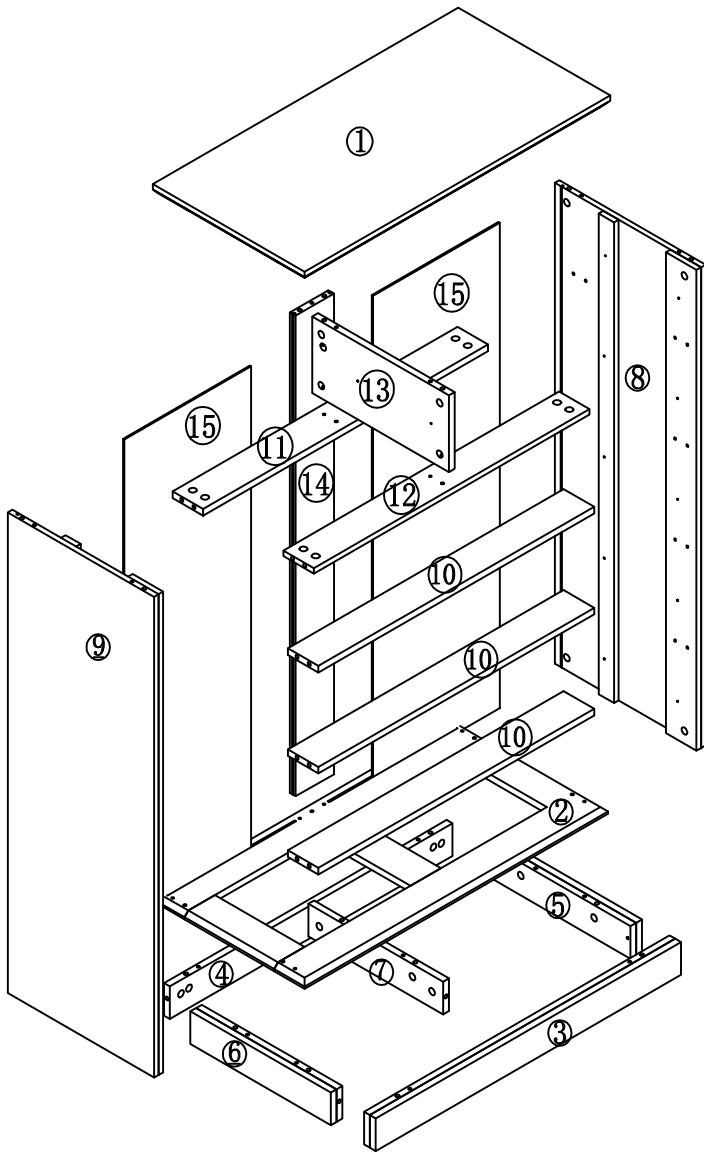
Installation & Assembly



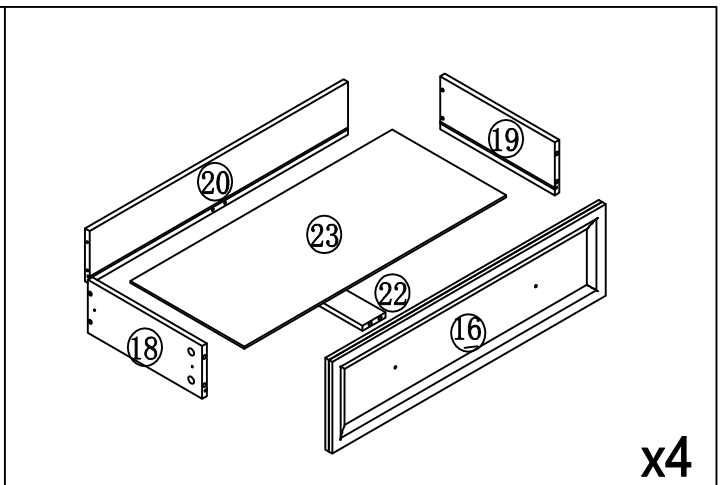
If you have any advice or problem, please
contact us

<p>① x1</p>  <p>L:800mm*W:398mm*H:27mm</p>	<p>② x1</p>  <p>L:794mm*W:395mm*H:15mm</p>	<p>③ x1</p>  <p>L:800mm*W:74mm*H:30mm</p>	<p>④ x1</p>  <p>L:740mm*W:74mm*H:15mm</p>
<p>⑤ x1</p>  <p>L:368mm*W:74mm*H:30mm</p>	<p>⑥ x1</p>  <p>L:368mm*W:74mm*H:30mm</p>	<p>⑦ x1</p>  <p>L:353mm*W:74mm*H:15mm</p>	<p>⑧ x1</p>  <p>L:1090mm*W:383mm*H:24mm</p>
<p>⑨ x1</p>  <p>L:1090mm*W:383mm*H:24mm</p>	<p>⑩ x3</p>  <p>L:722mm*W:80mm*H:15mm</p>	<p>⑪ x1</p>  <p>L:746mm*W:80mm*H:15mm</p>	<p>⑫ x1</p>  <p>L:722mm*W:80mm*H:15mm</p>
<p>⑬ x1</p>  <p>L:358mm*W:174mm*H:15mm</p>	<p>⑭ x1</p>  <p>L:1090mm*W:100mm*H:15mm</p>	<p>⑮ x2</p>  <p>L:1101mm*W:332mm*H:3mm</p>	<p>⑯ x4</p>  <p>L:716mm*W:208mm*H:18mm</p>
<p>⑰ x2</p>  <p>L:347.5mm*W:168mm*H:15mm</p>	<p>⑱ x6</p>  <p>L:300mm*W:120mm*H:12mm</p>	<p>⑲ x6</p>  <p>L:300mm*W:120mm*H:12mm</p>	<p>⑳ x4</p>  <p>L:677mm*W:120mm*H:12mm</p>
<p>㉑ x2</p>  <p>L:307.5mm*W:120mm*H:12mm</p>	<p>㉒ x4</p>  <p>L:288mm*W:60mm*H:12mm</p>	<p>㉓ x4</p>  <p>L:686mm*W:298mm*H:3mm</p>	<p>㉔ x2</p>  <p>L:317mm*W:298mm*H:3mm</p>

<p>A x93</p> 	<p>B x93</p> 	<p>C x25</p> 	<p>D x24</p>  <p>M5*48</p>
<p>E x70</p> 	<p>F x14</p> 	<p>G x10</p> 	<p>H x2</p>  <p>M4*16</p>
<p>J x8</p> 	<p>K x2</p> 	<p>L x1</p>  <p>S3</p>	<p>M x6</p> 
<p>N x8</p>  <p>M4*12</p>	<p>P x4</p> 		
		<p>Press the plastic part in the indicated direction to separate drawer runner M1 and M2 before as sembling</p> 	
			

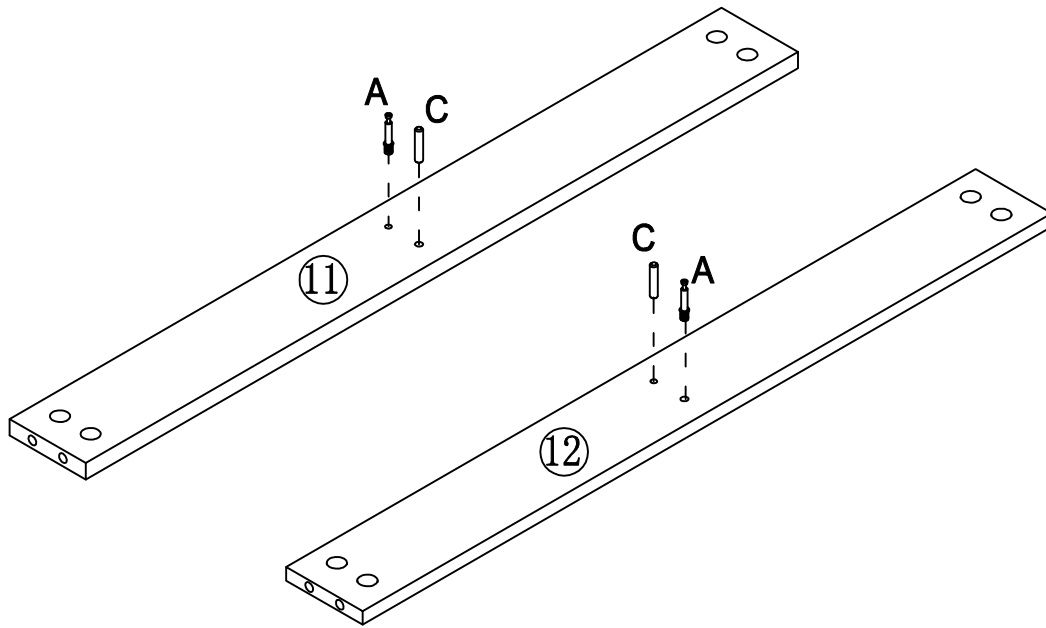
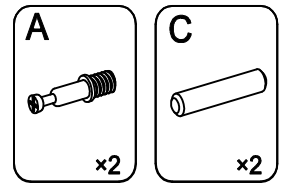


x2

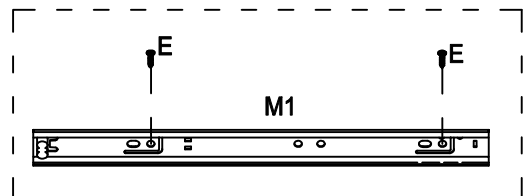
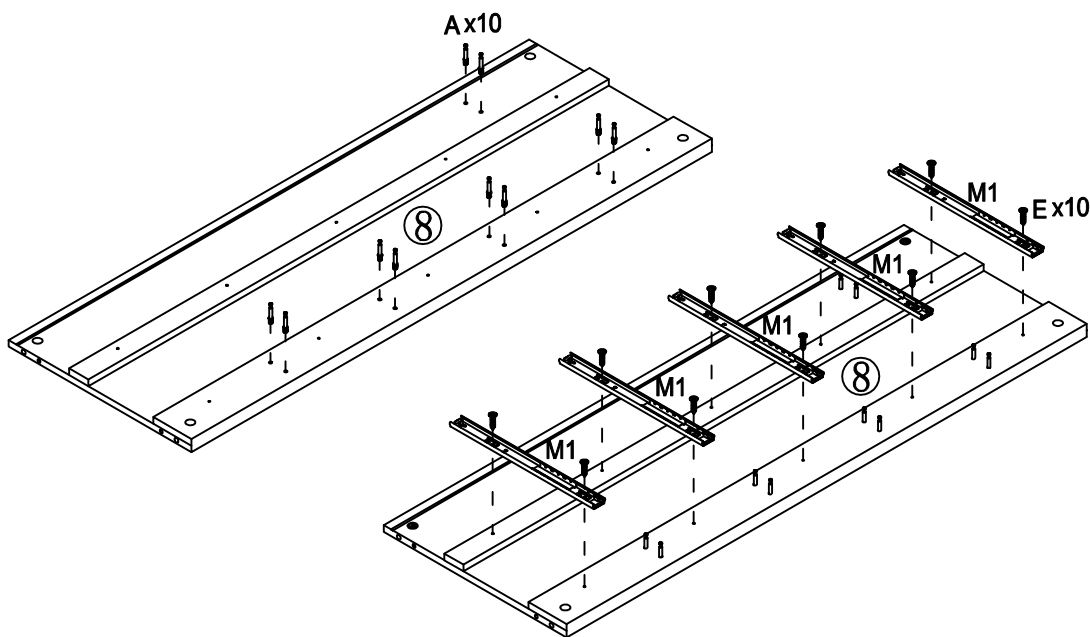
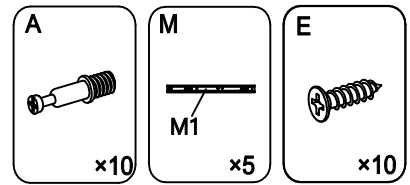


x4

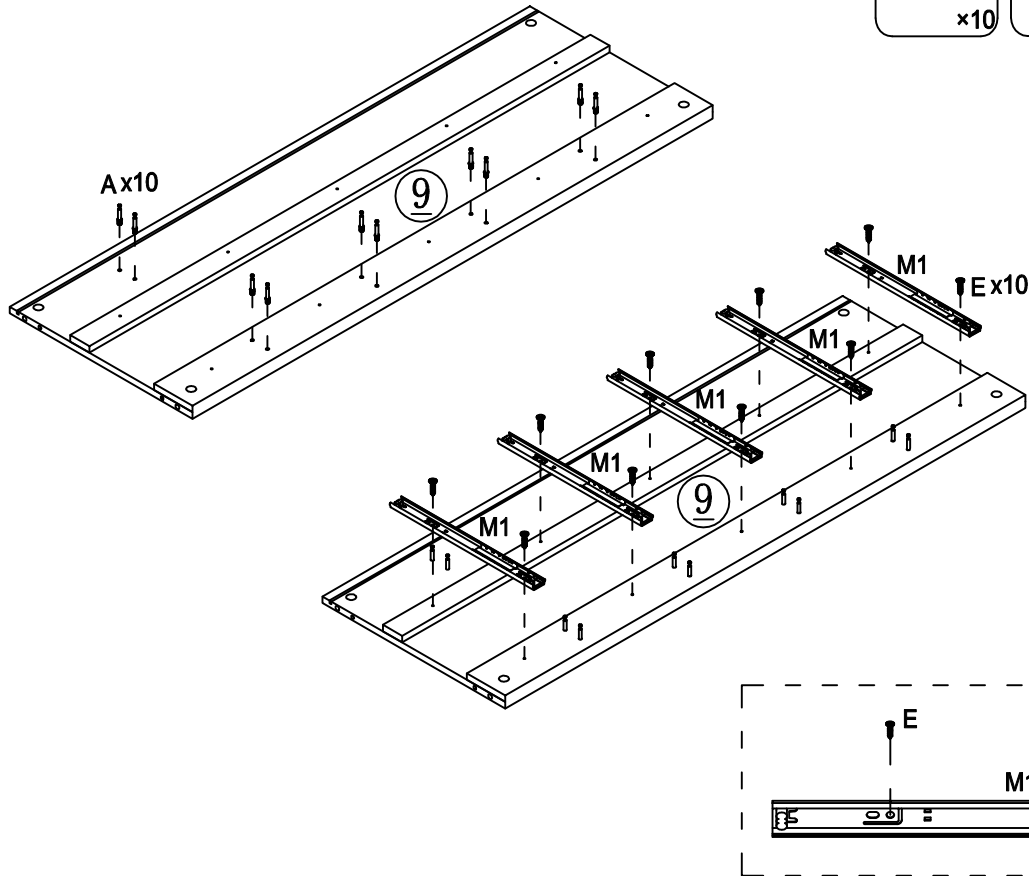
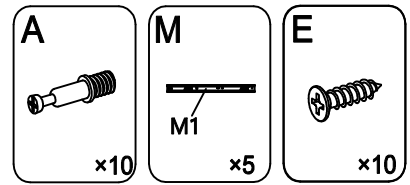
1.



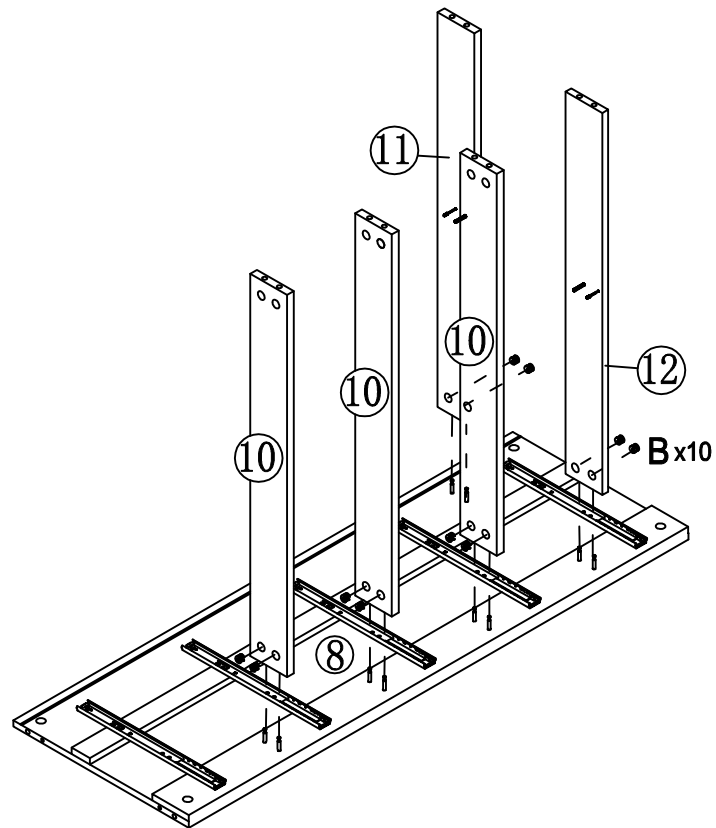
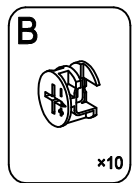
2.



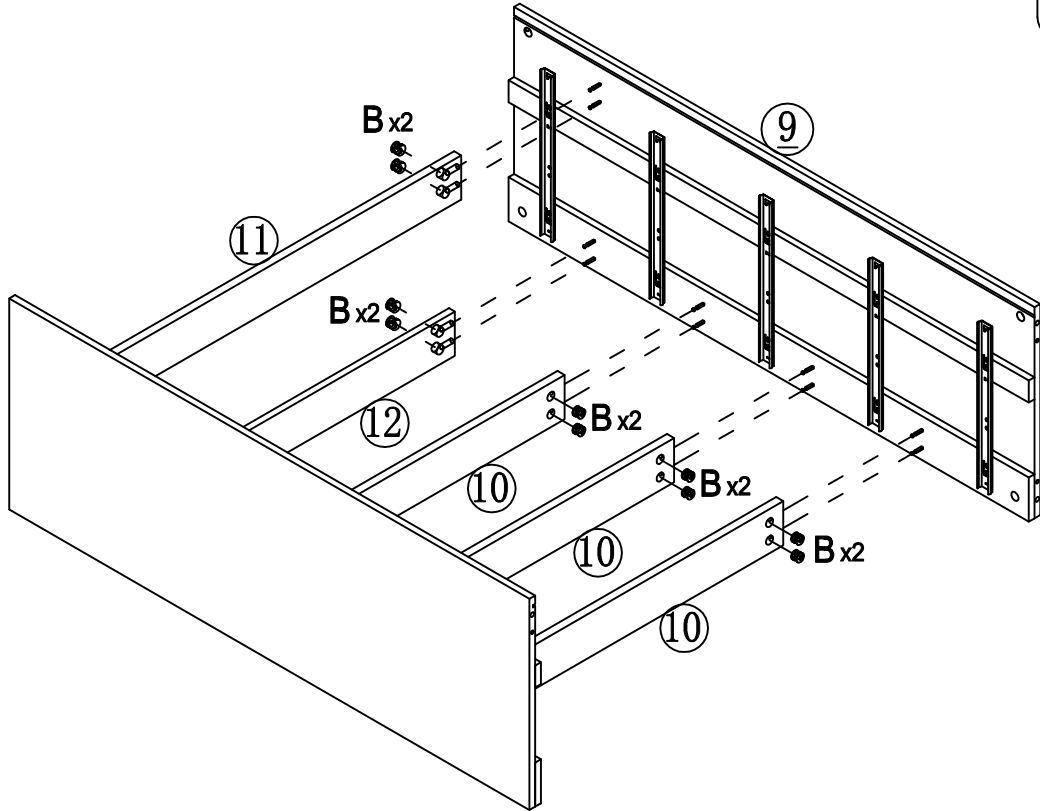
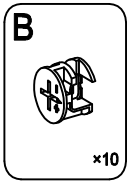
3.



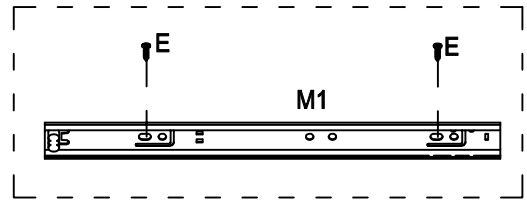
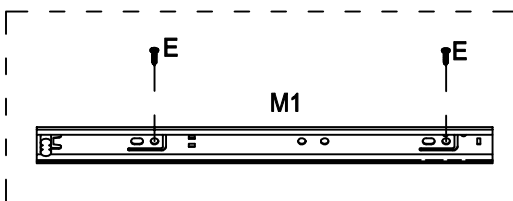
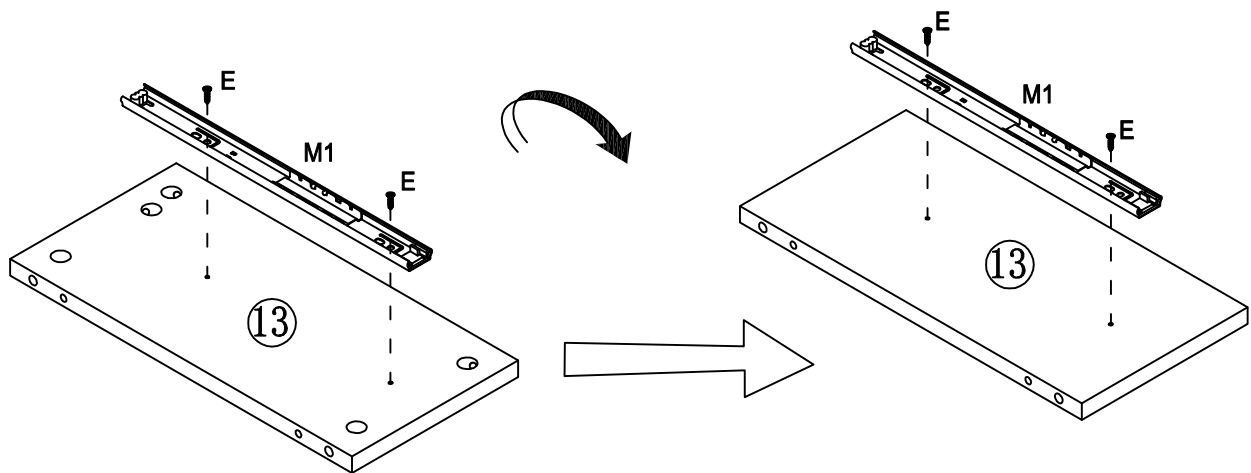
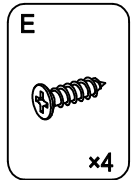
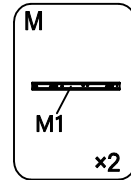
4.



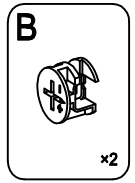
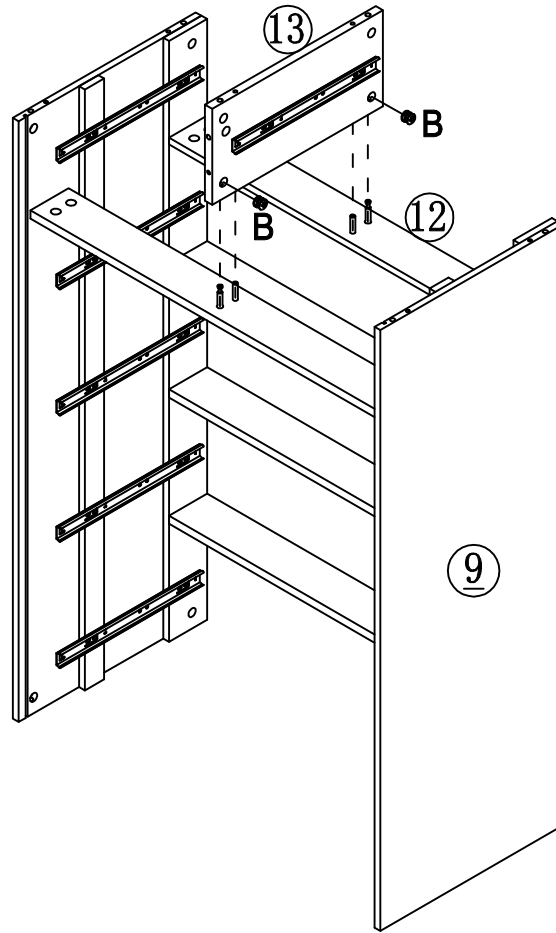
5.



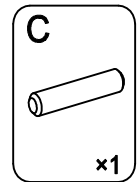
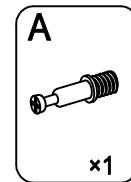
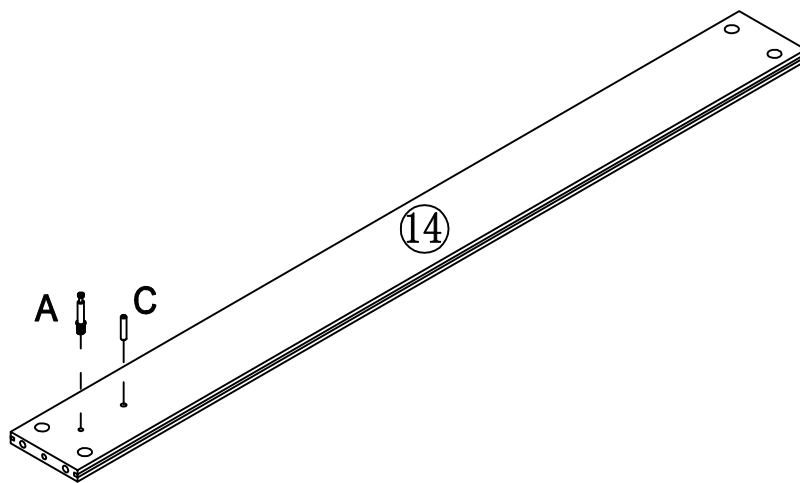
6.



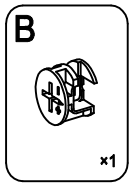
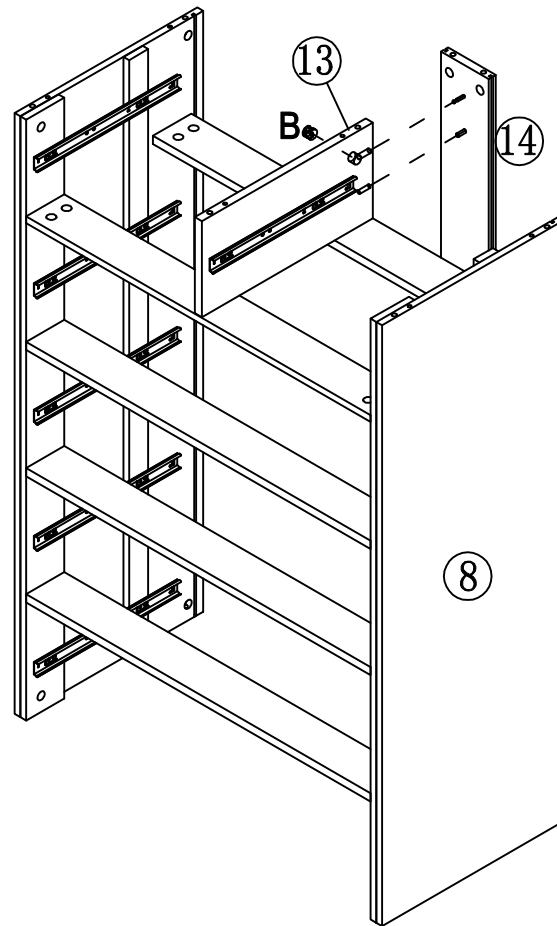
7.



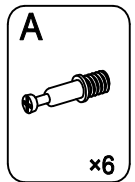
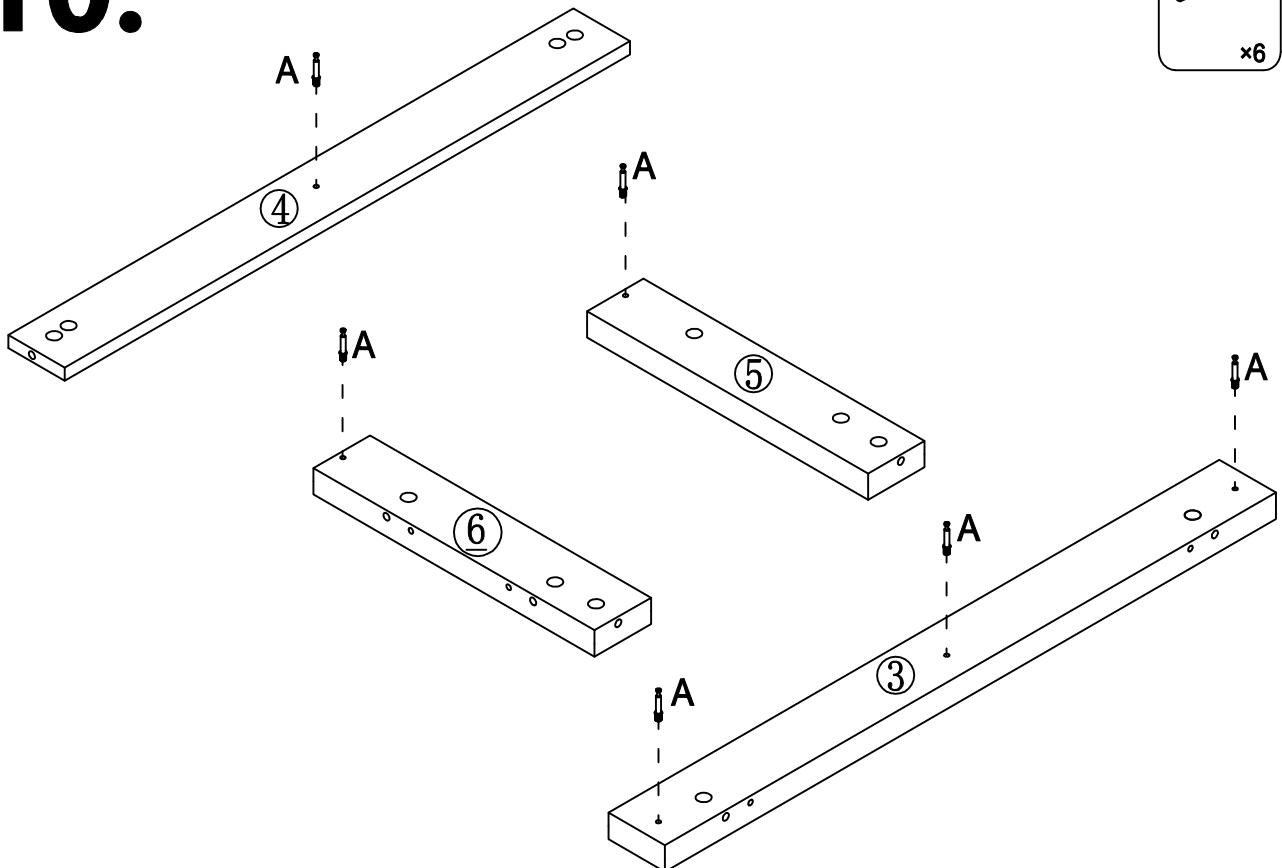
8.



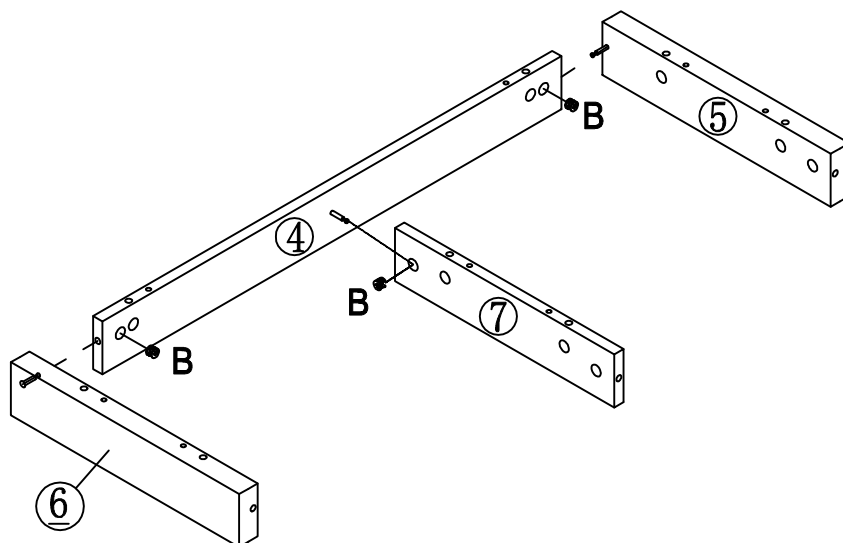
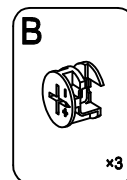
9.



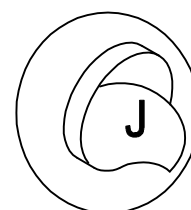
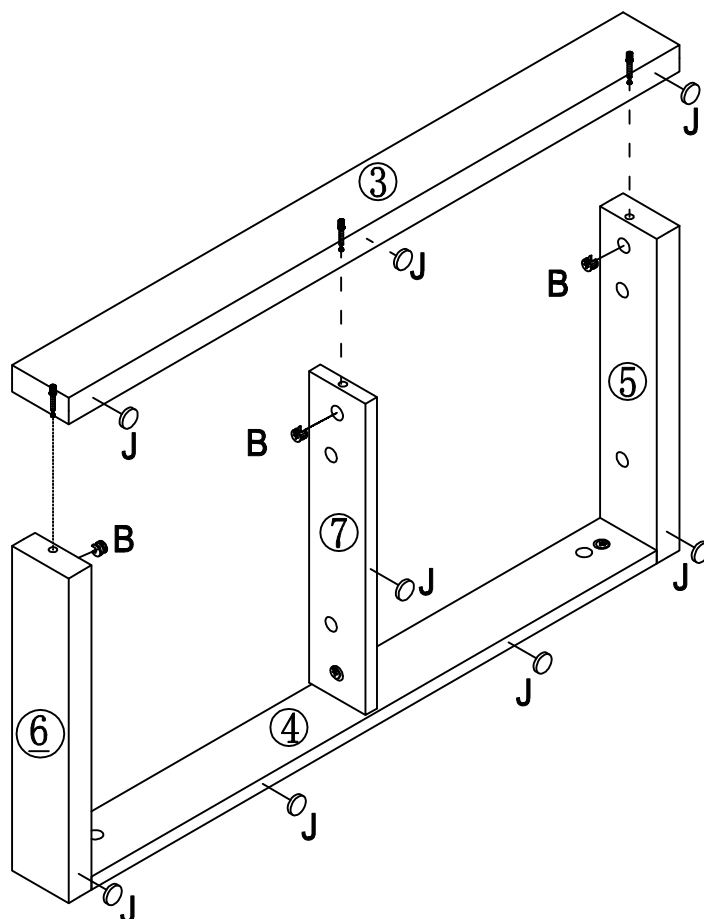
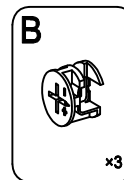
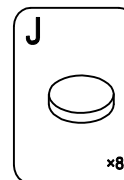
10.



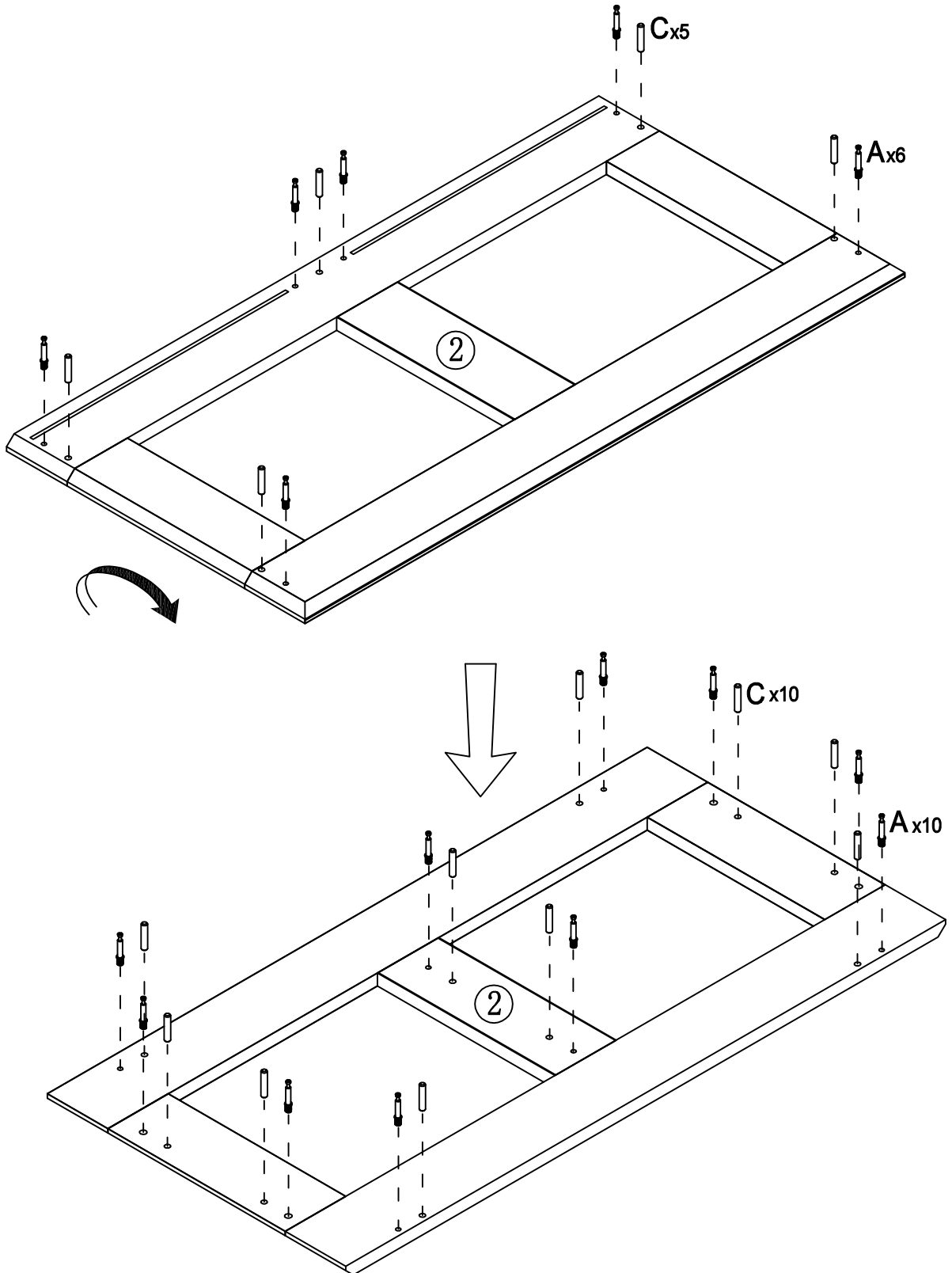
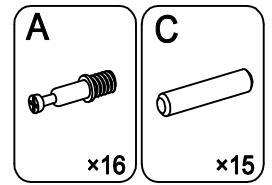
11.



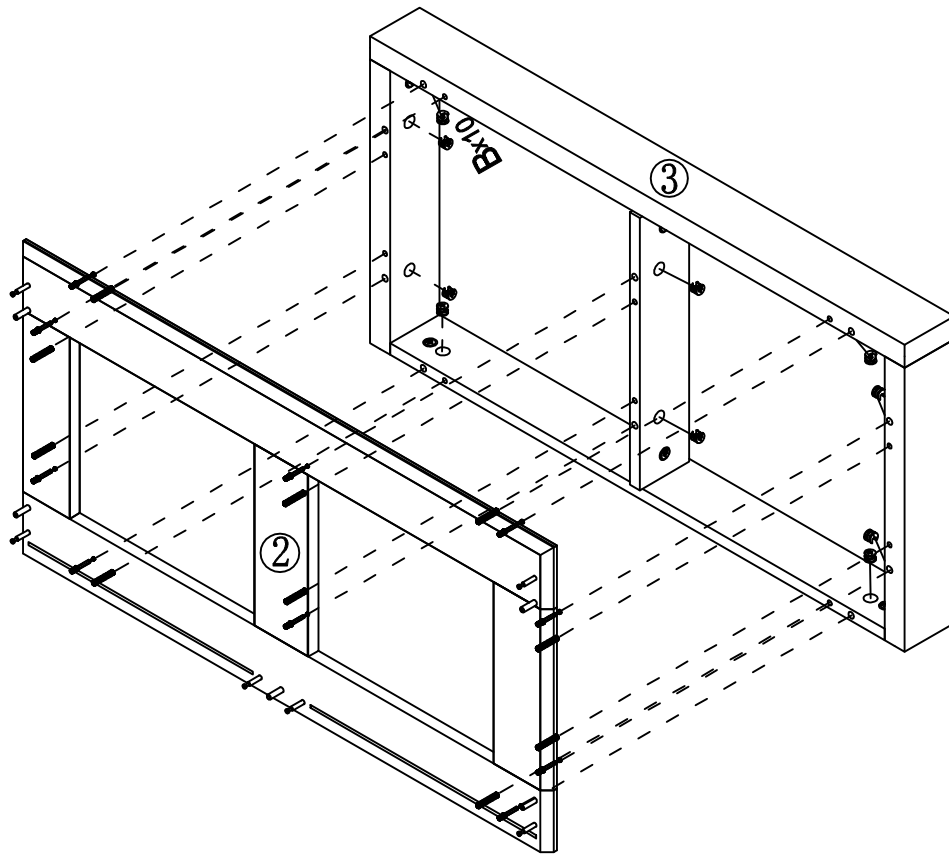
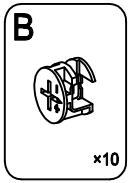
12.



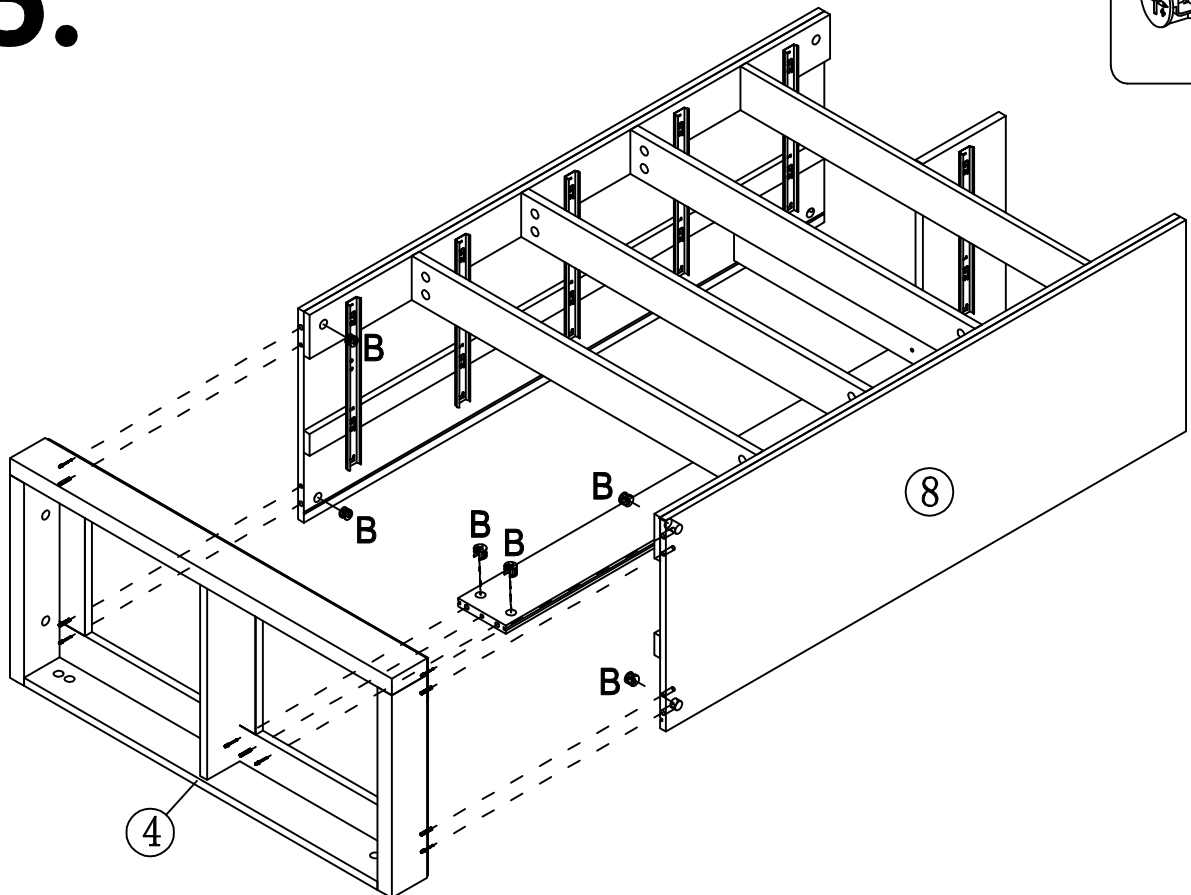
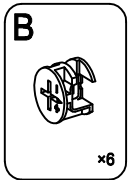
13.



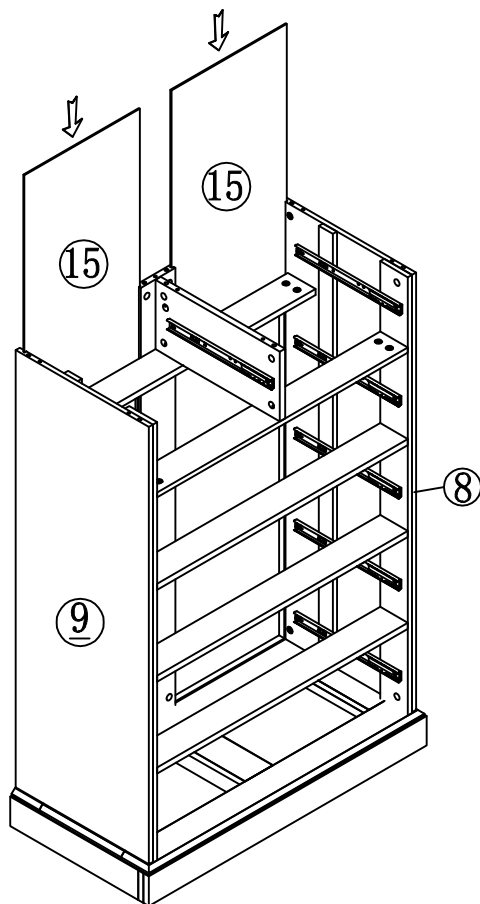
14.



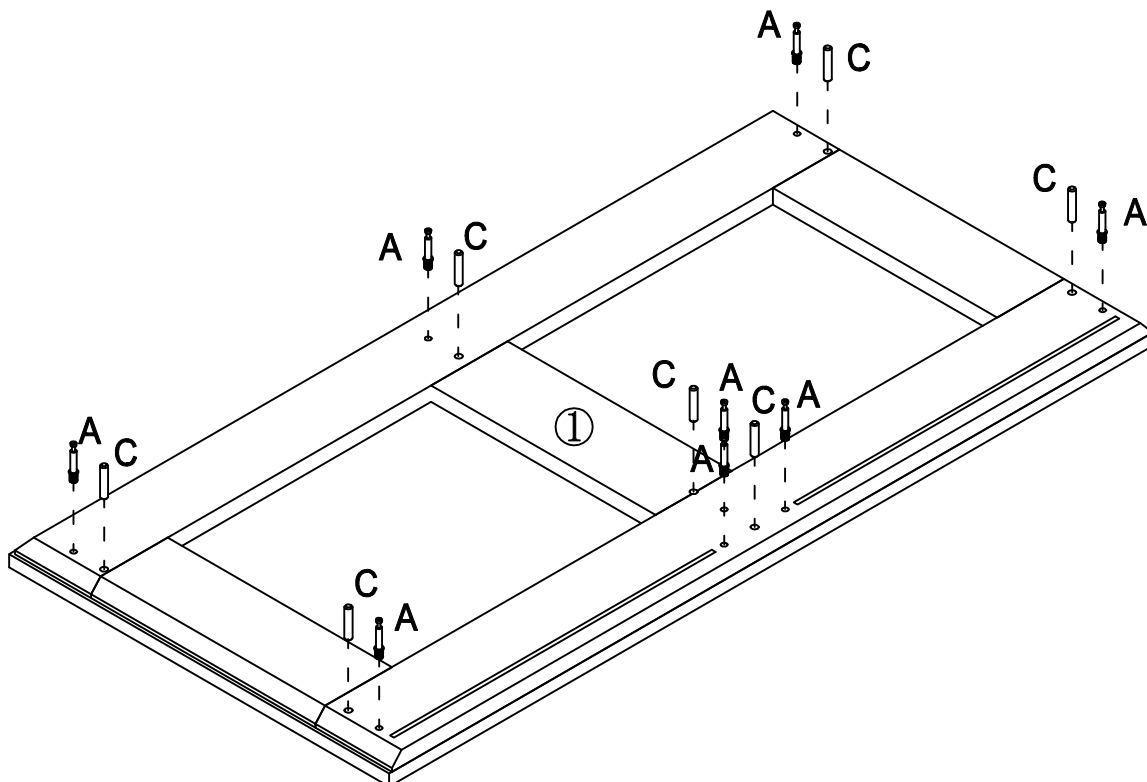
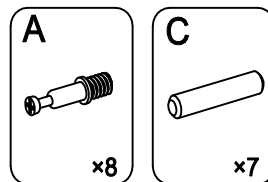
15.



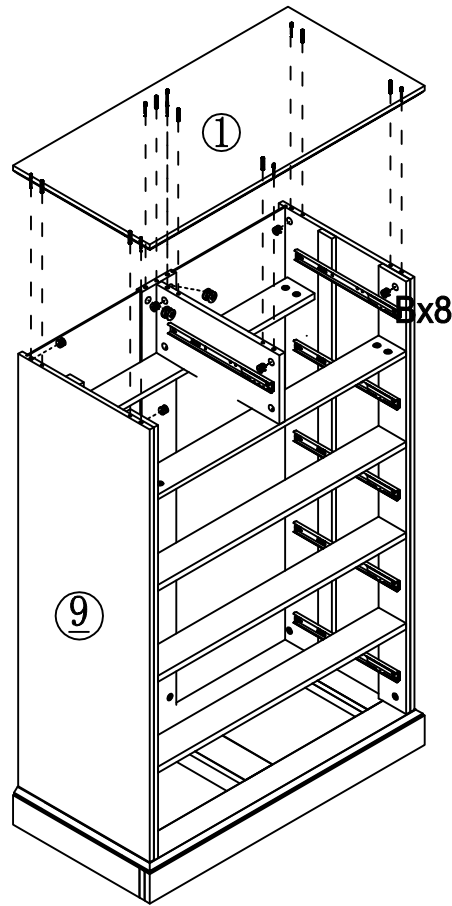
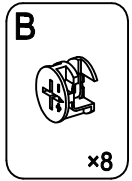
16.



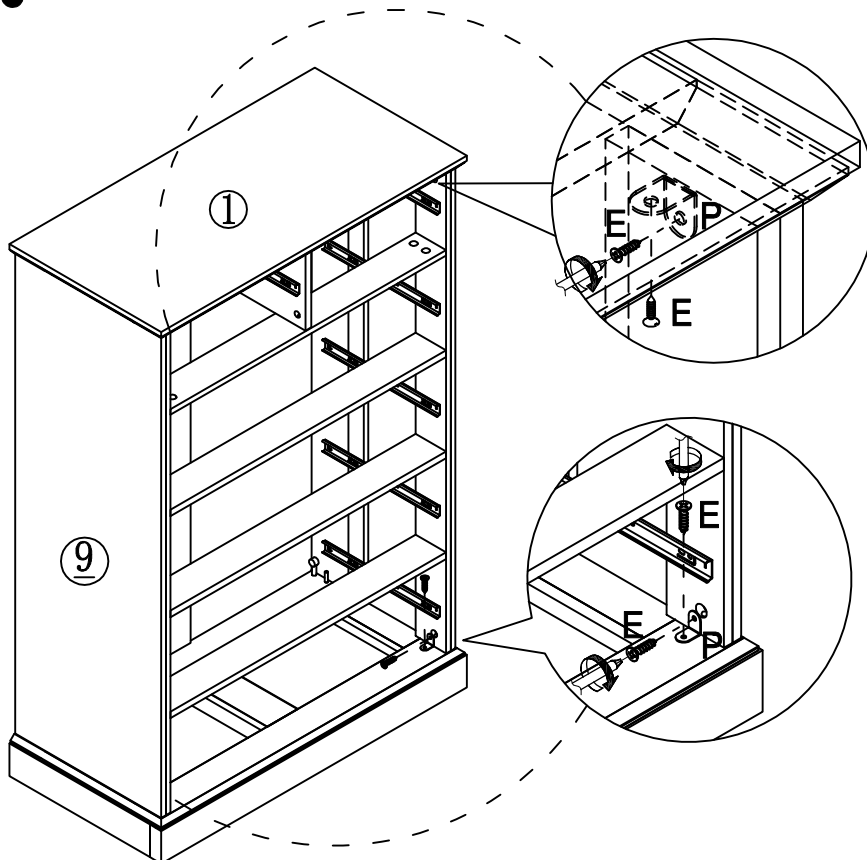
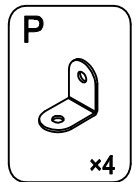
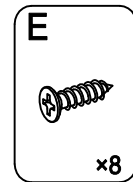
17.



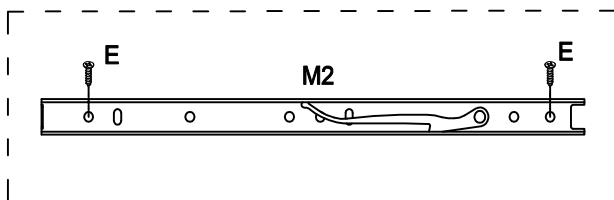
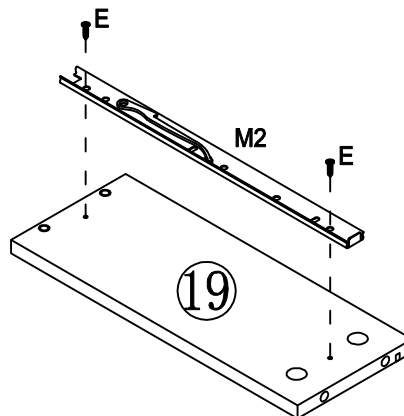
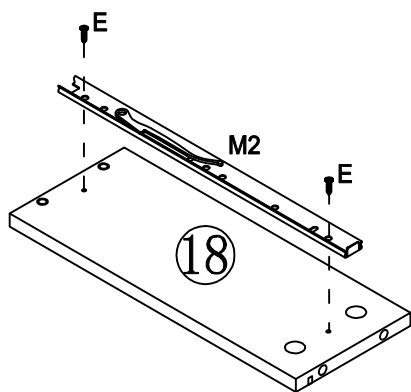
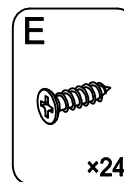
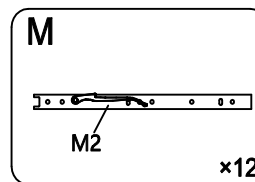
18.



19.

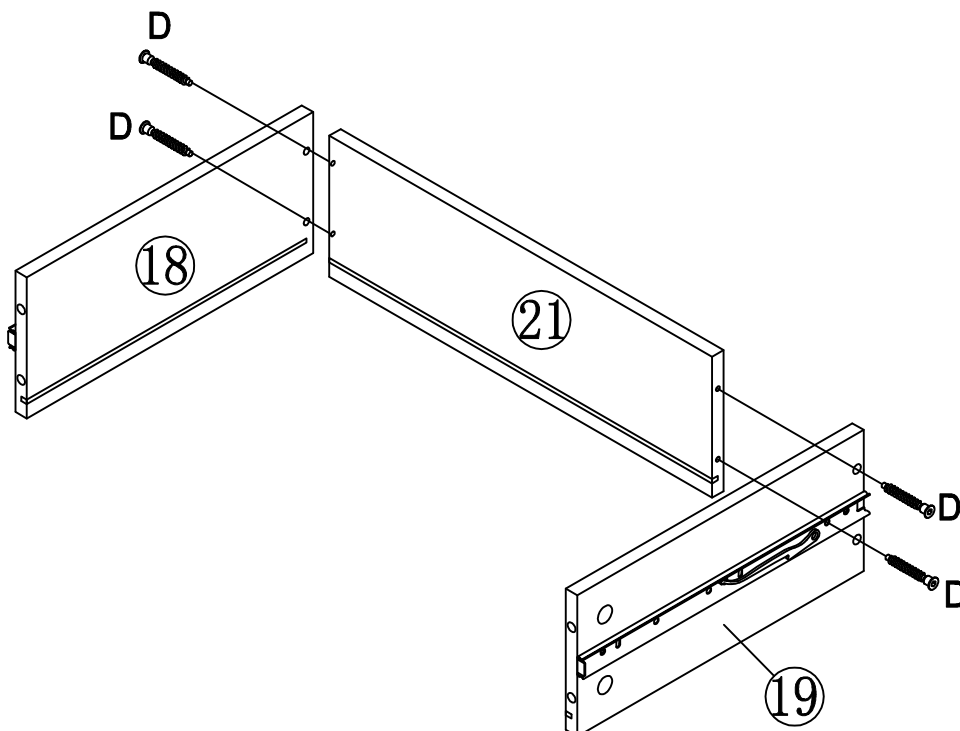
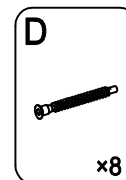


20.



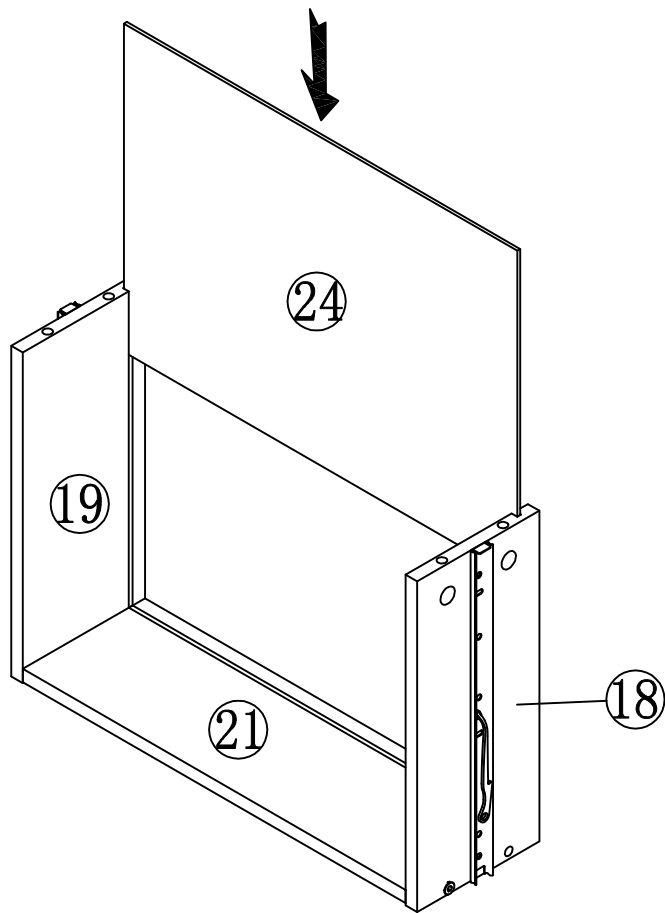
x6

21.



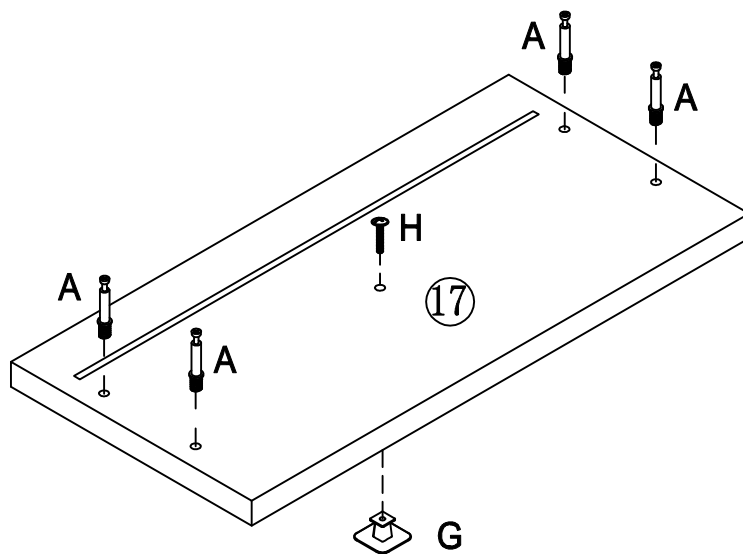
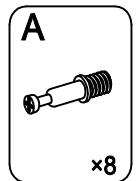
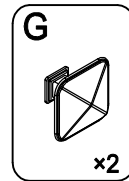
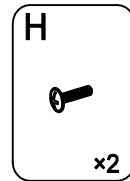
x2

22.



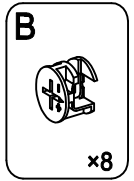
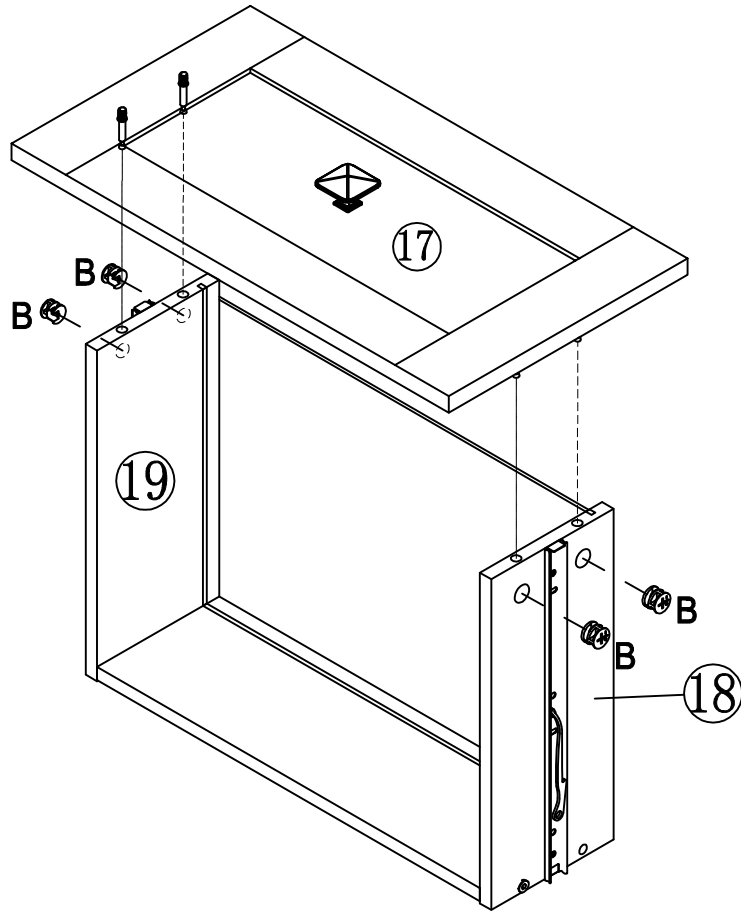
x2

23.



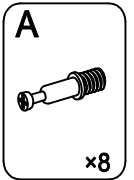
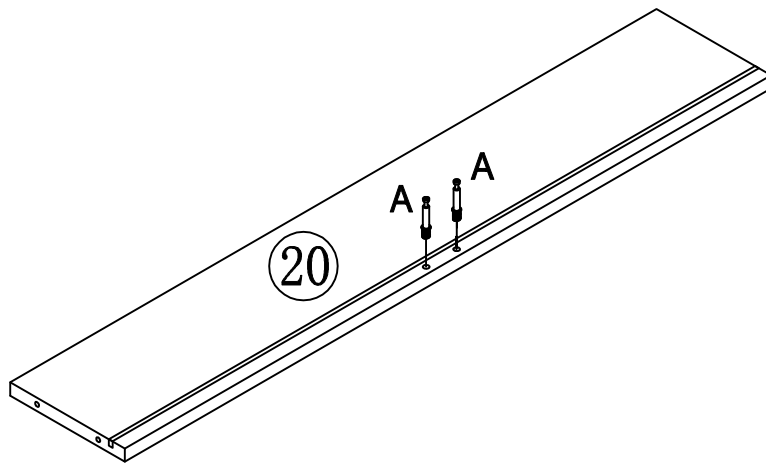
x2

24.



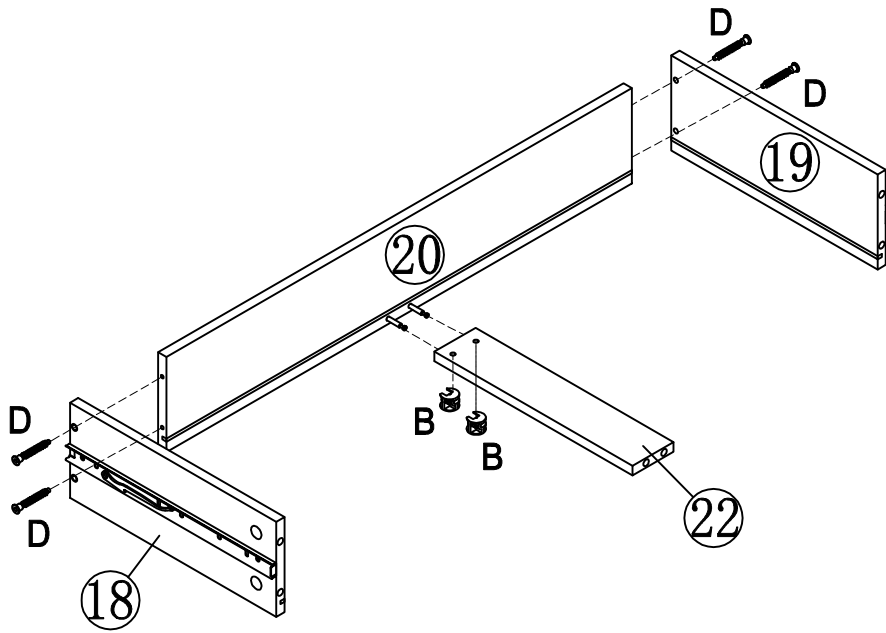
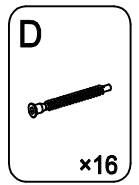
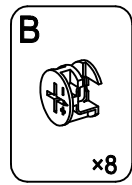
x2

25.



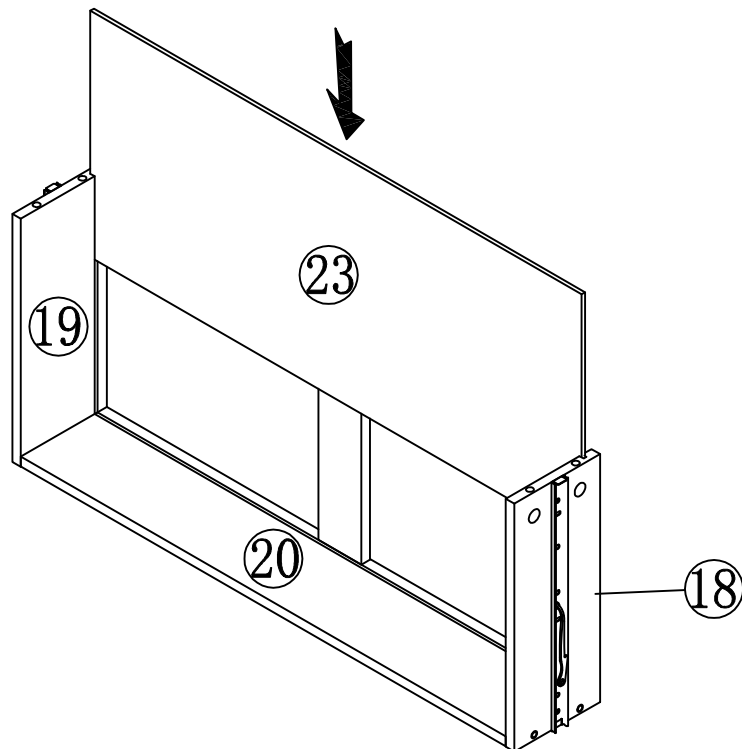
x4

26.



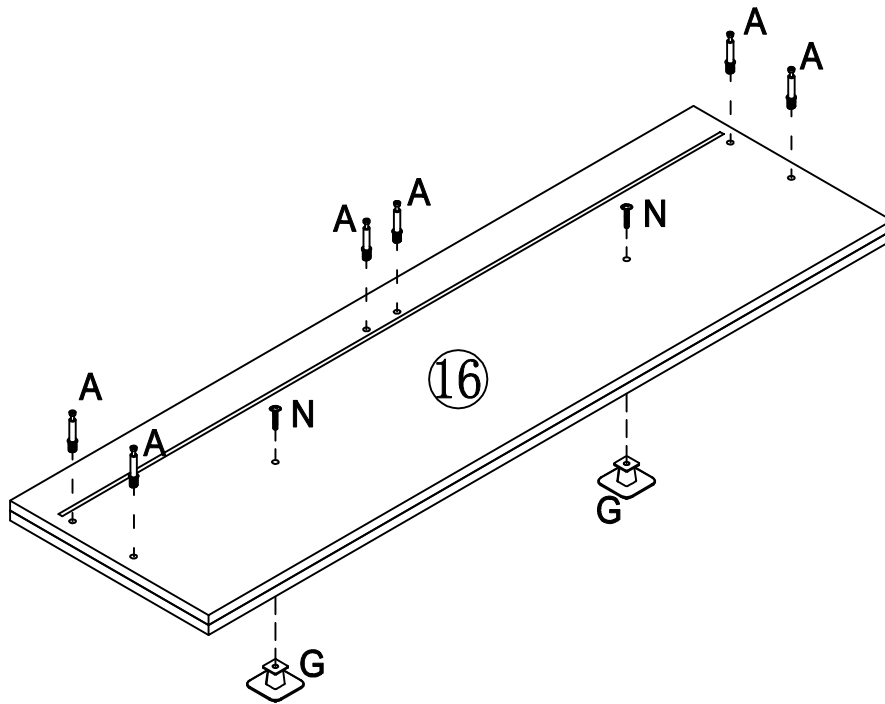
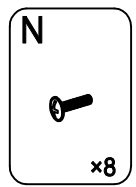
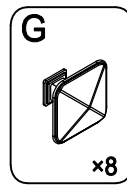
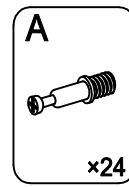
x4

27.



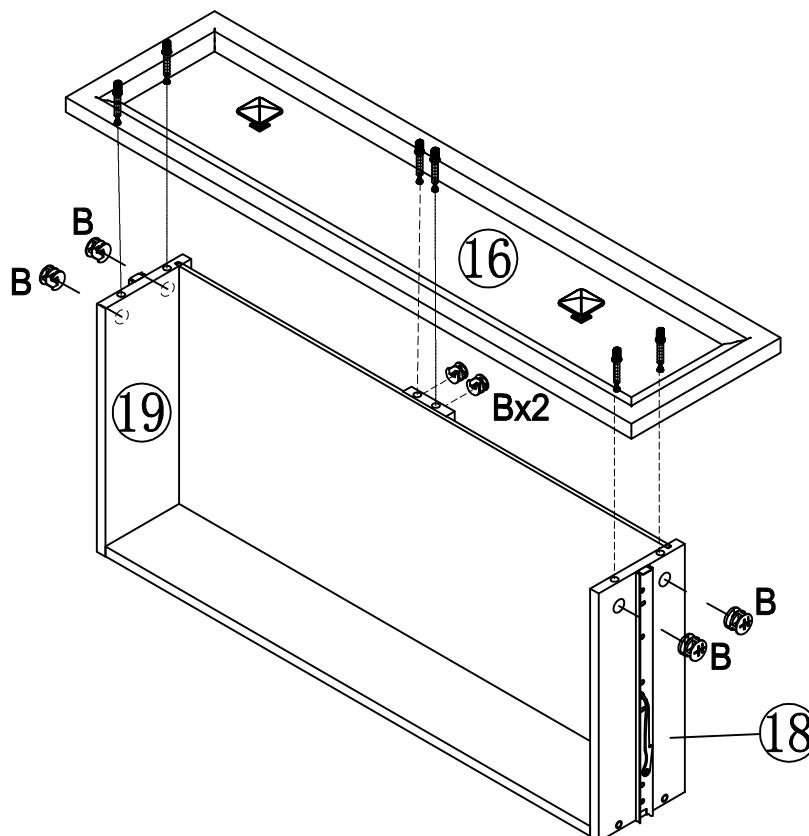
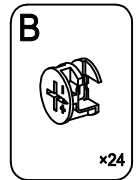
x4

28.



x4

29.

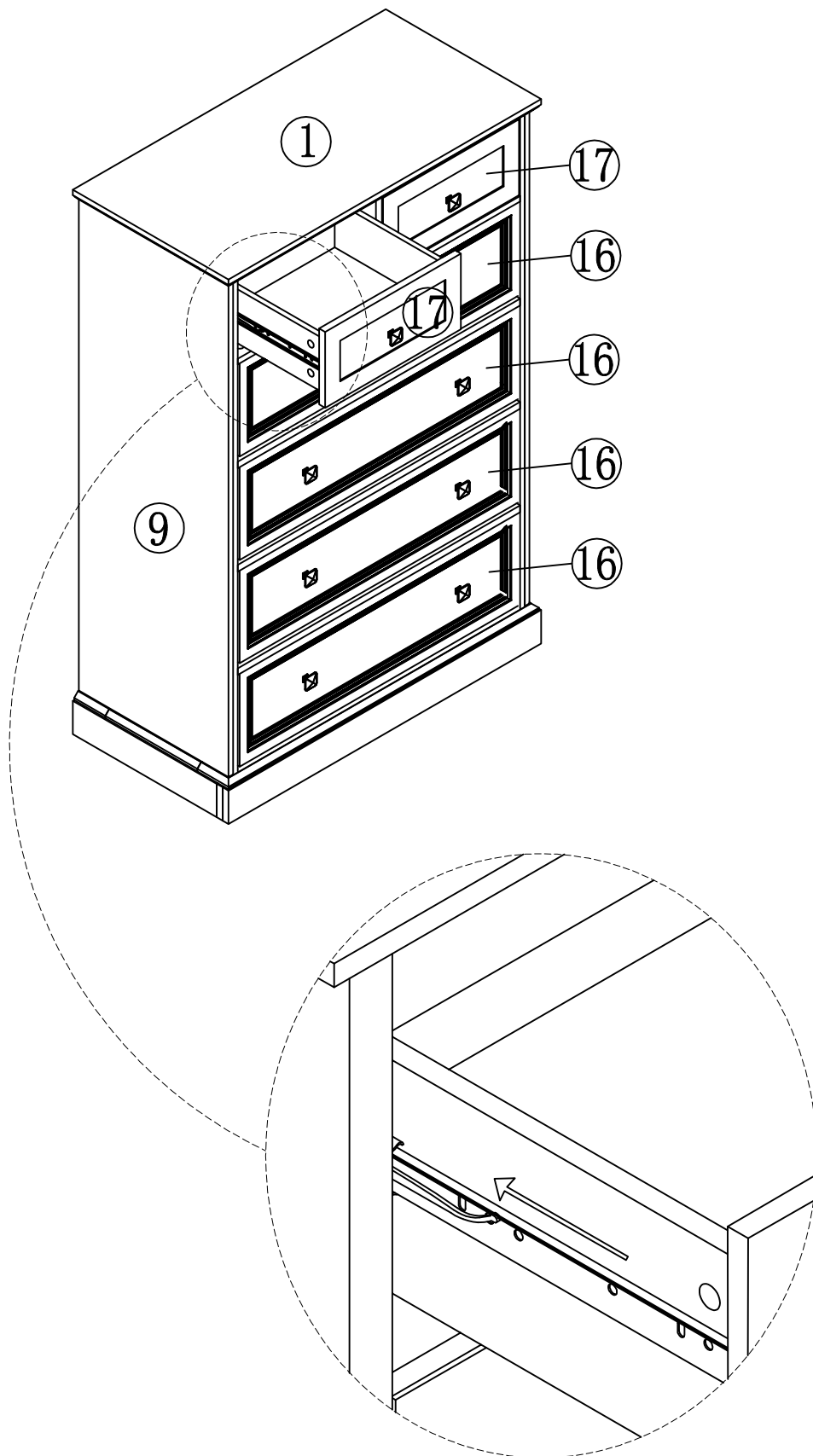


x4

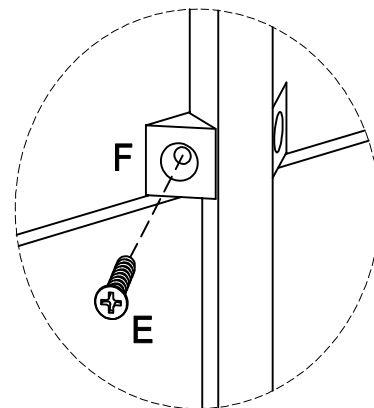
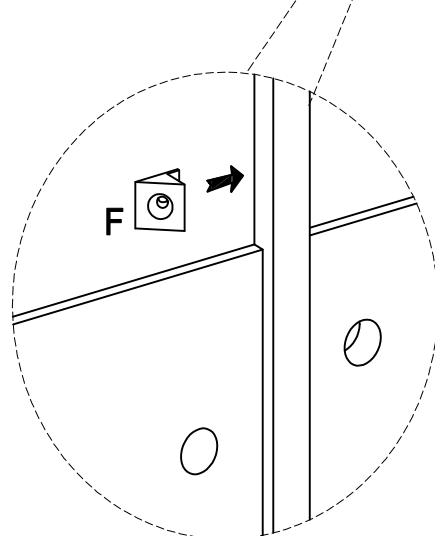
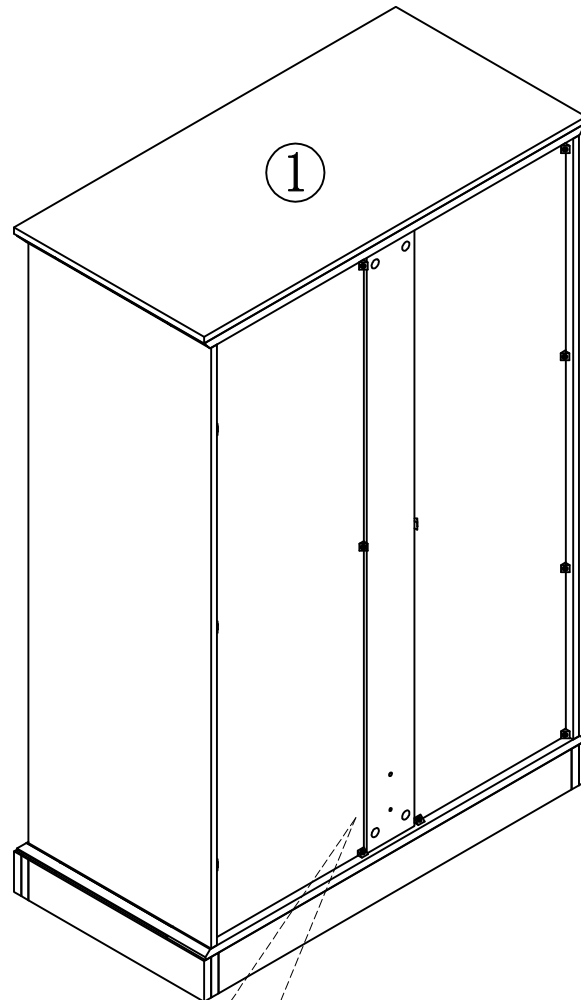
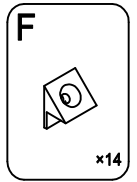
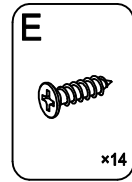
30.

REMARK:

Simply push the ball bearing cart all the way to the end of the slide (in both sides), and align the slide runners on the drawer with the unit and push it carefully inside until it stops.



31.



32.

