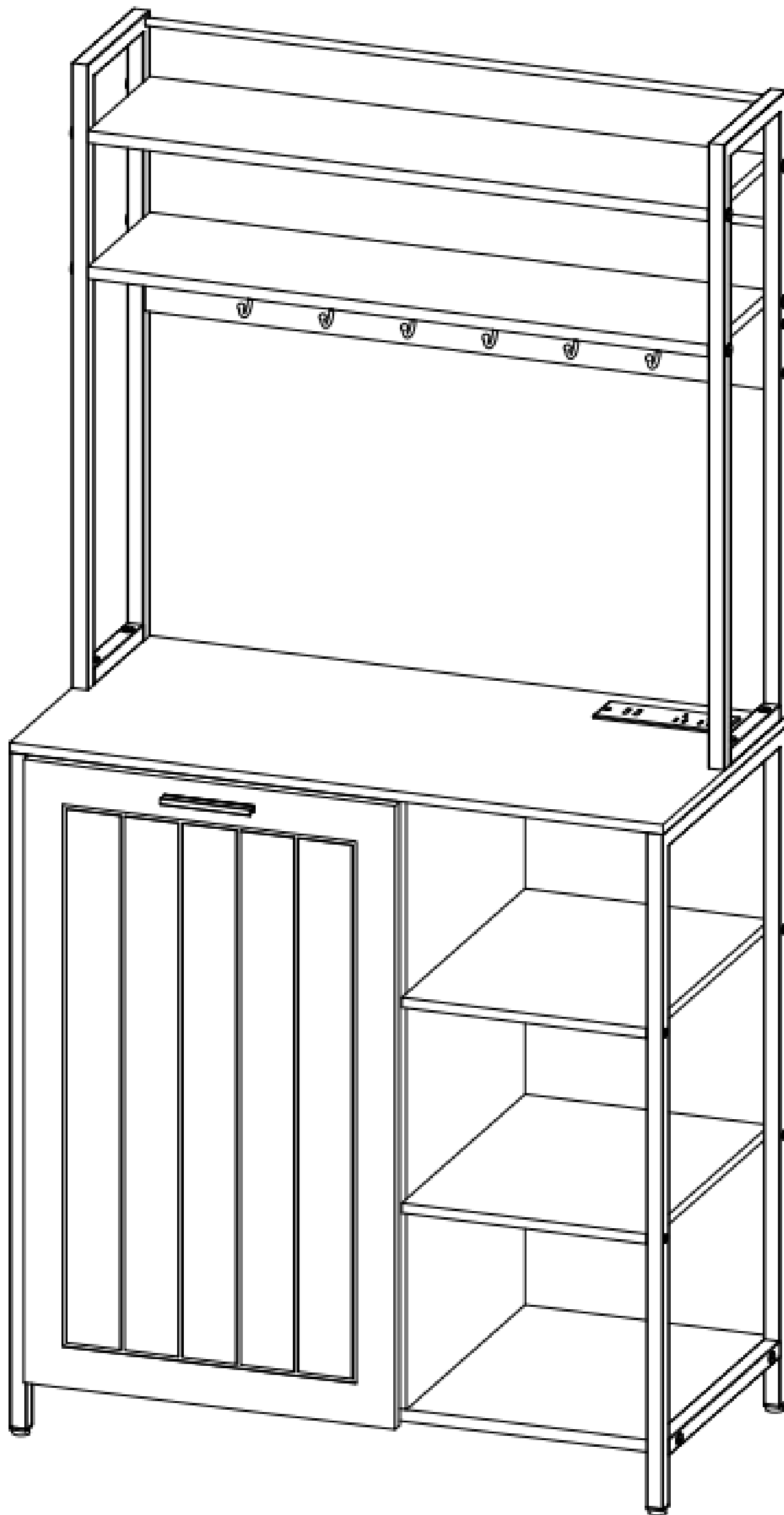
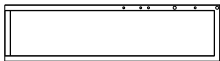


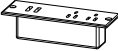





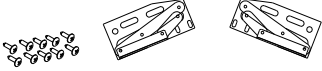

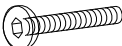
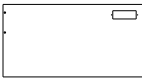






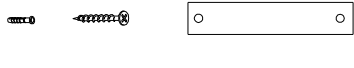
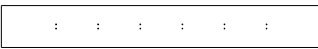




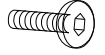
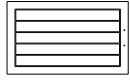
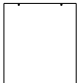

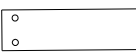



# ASSEMBLY INSTRUCTIONS

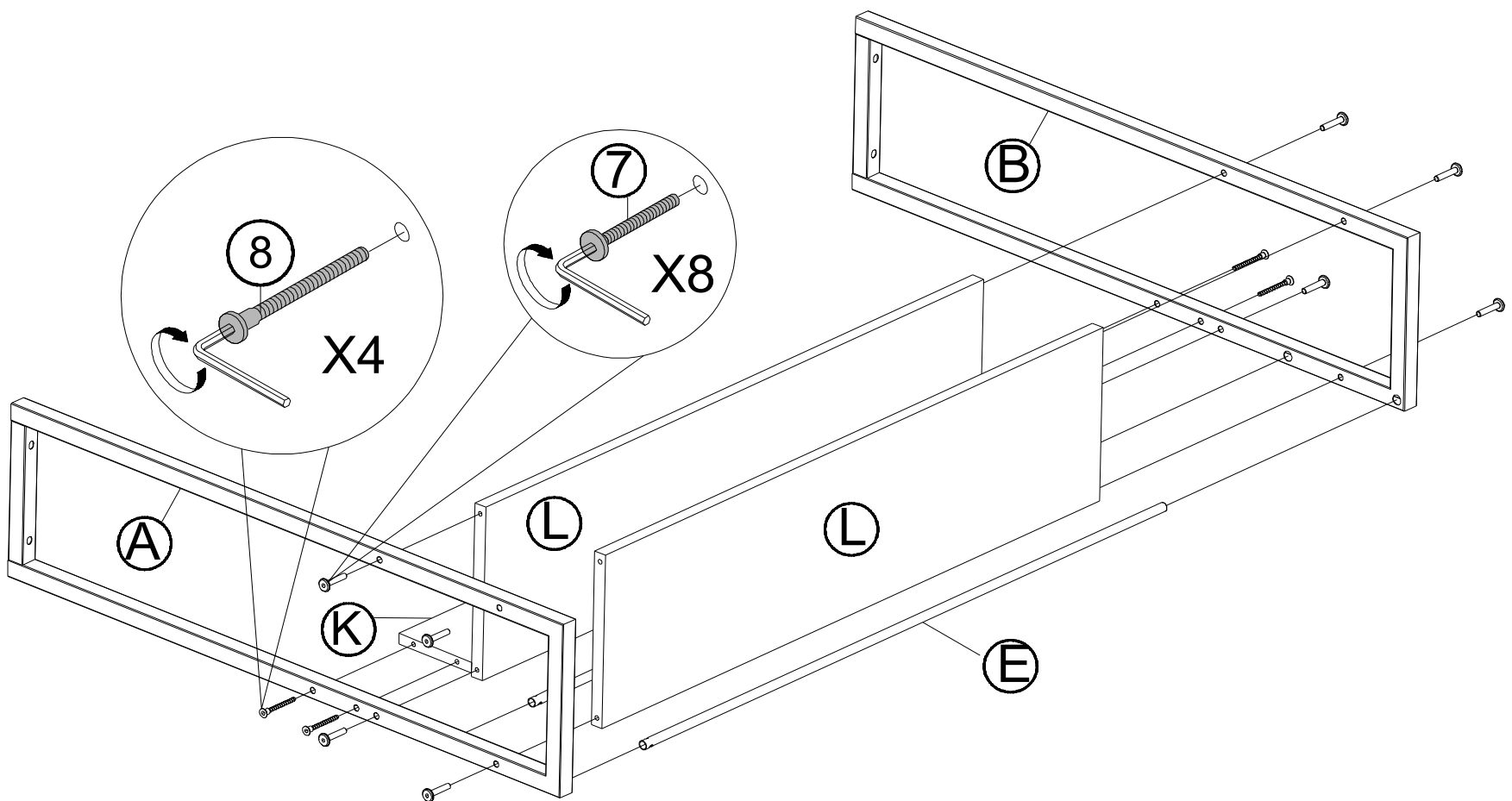
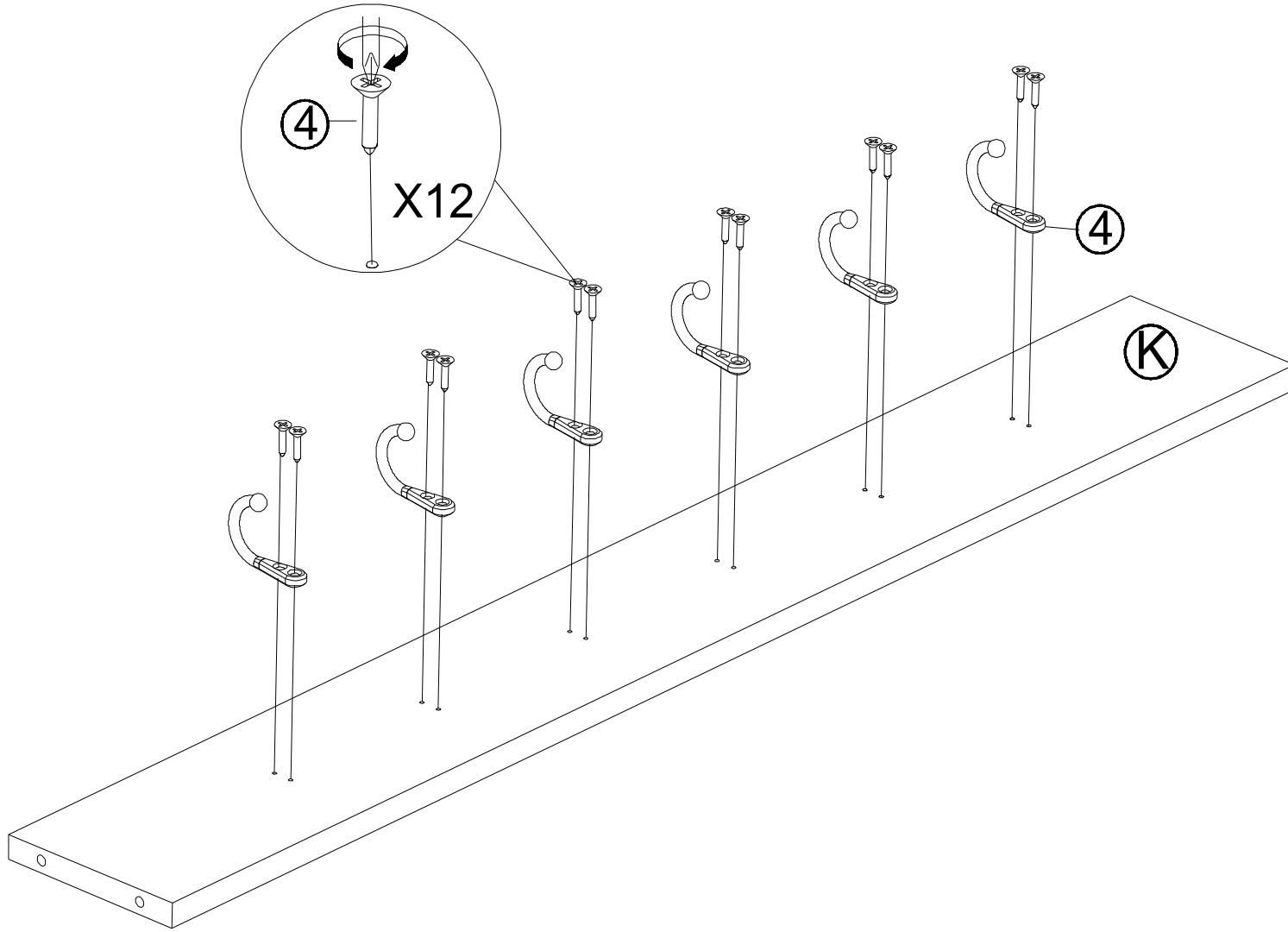
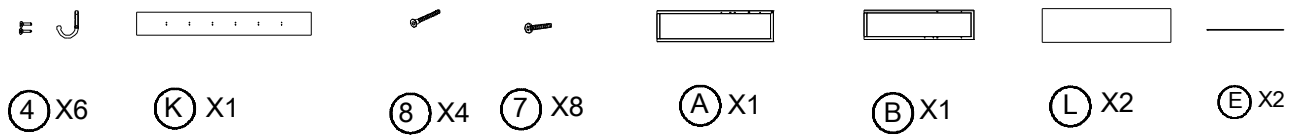


# ASSEMBLY INSTRUCTIONS

Ⓐ		x1	①		x1
Ⓑ		x1	②		x1
Ⓒ		x1	③	 4*12	x2
Ⓓ		x1	④		x6
Ⓔ		x2	⑥		x1
Ⓕ		x2	⑦	 6*30	x22
Ⓖ		x1	⑧	 6.3*50	x22
Ⓕ		x1	⑨		x12
Ⓖ		x1	⑩		x1
Ⓖ		x1	⑪	 Anti-tipping device	x2
Ⓖ		x1	⑫		x1
Ⓖ		x2	⑬	 Steel cable	x2
Ⓖ		x1	⑭	 6*10	x4
Ⓖ		x1			
Ⓖ		x1			
Ⓖ		x1			
Ⓖ		x1			
Ⓖ		x1			

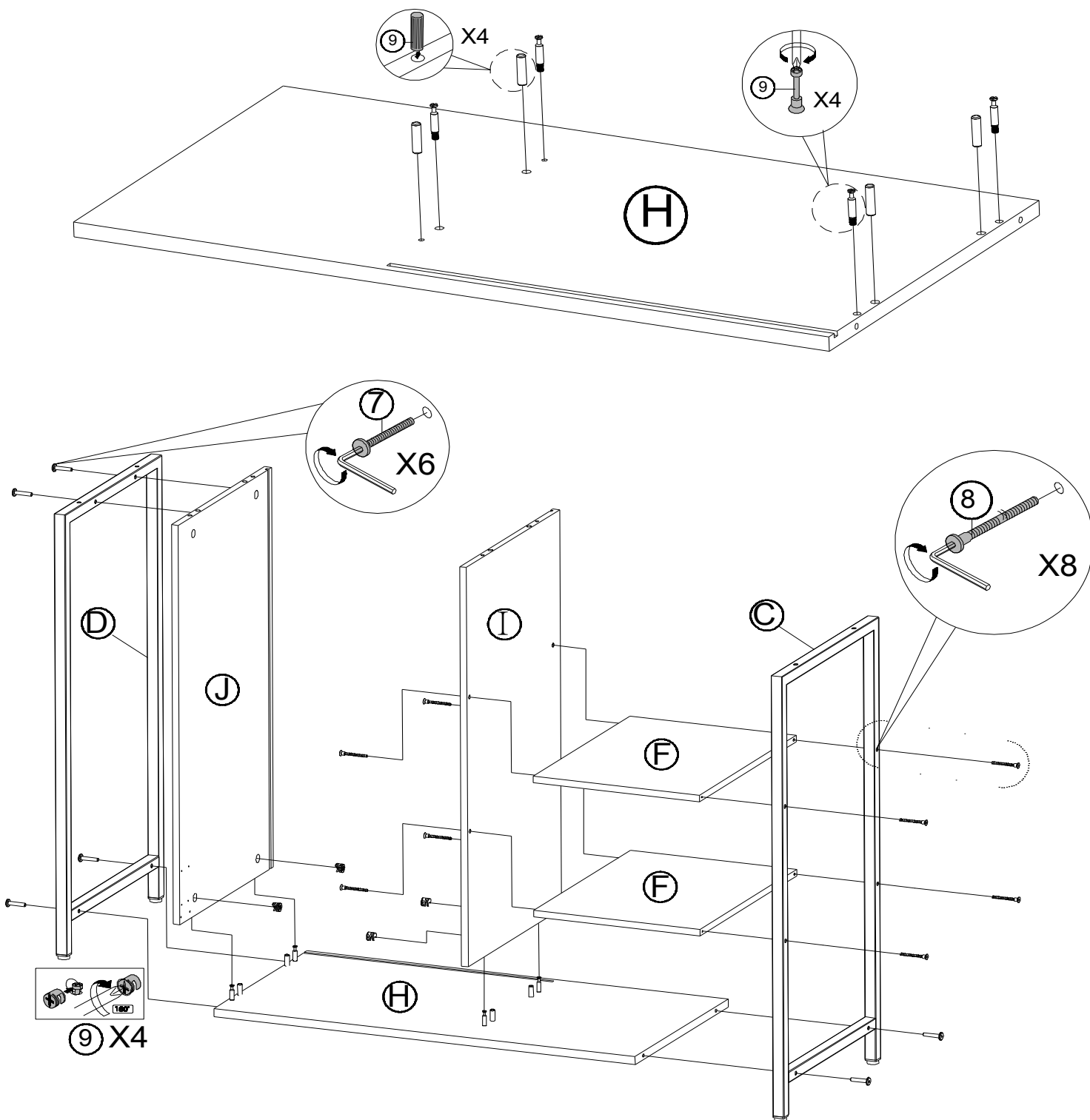
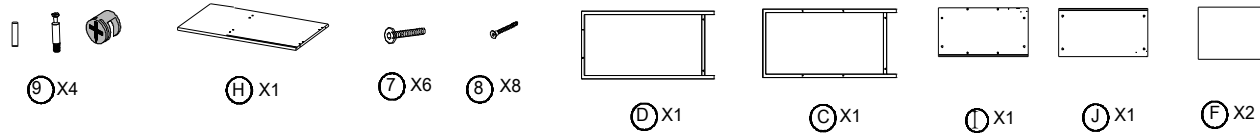
# ASSEMBLY INSTRUCTIONS

# 1



# ASSEMBLY INSTRUCTIONS

## 2

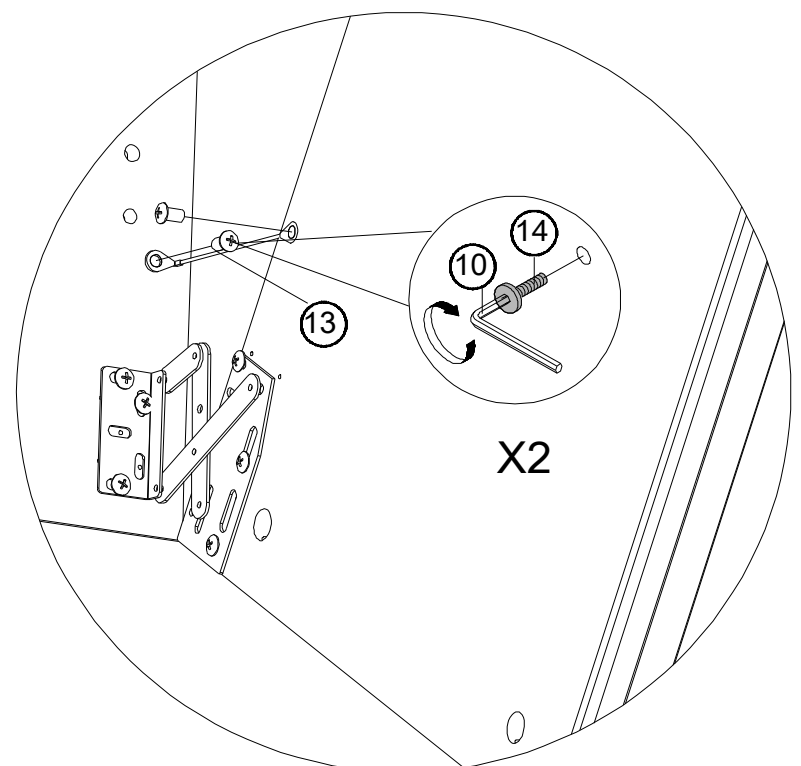
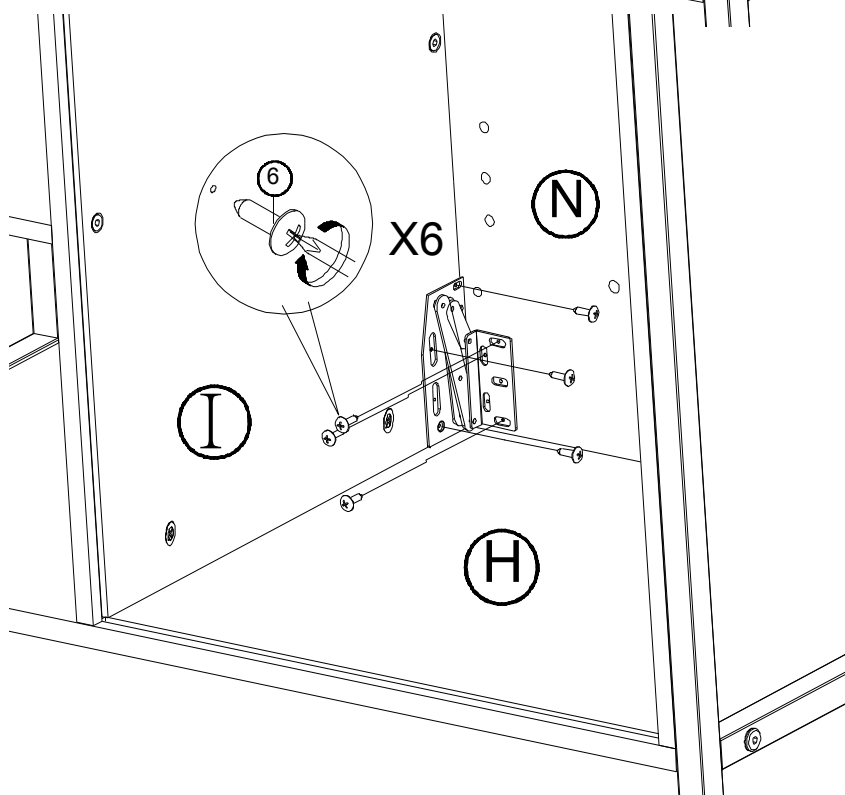
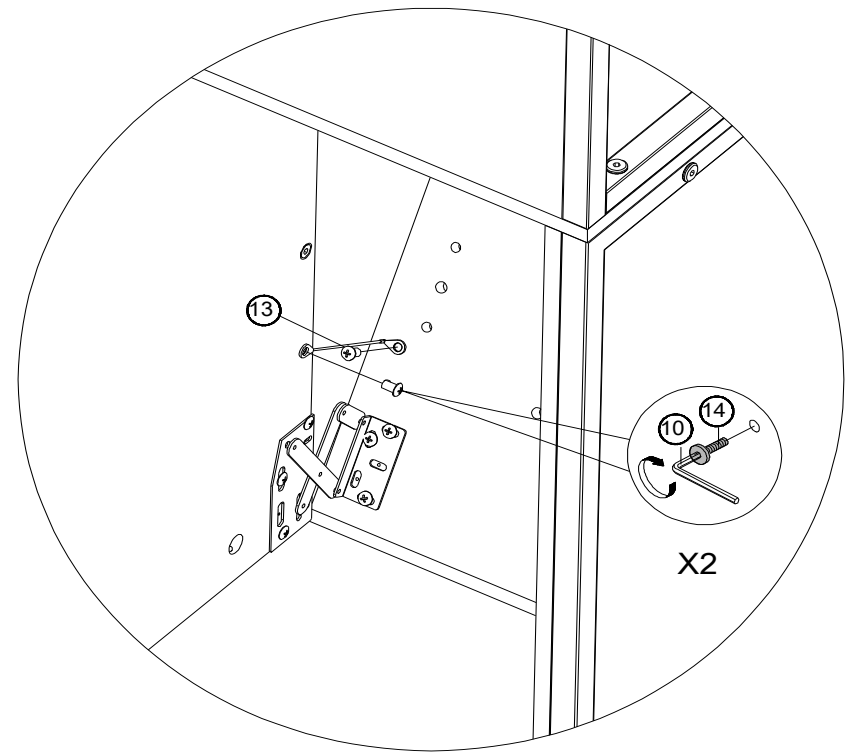
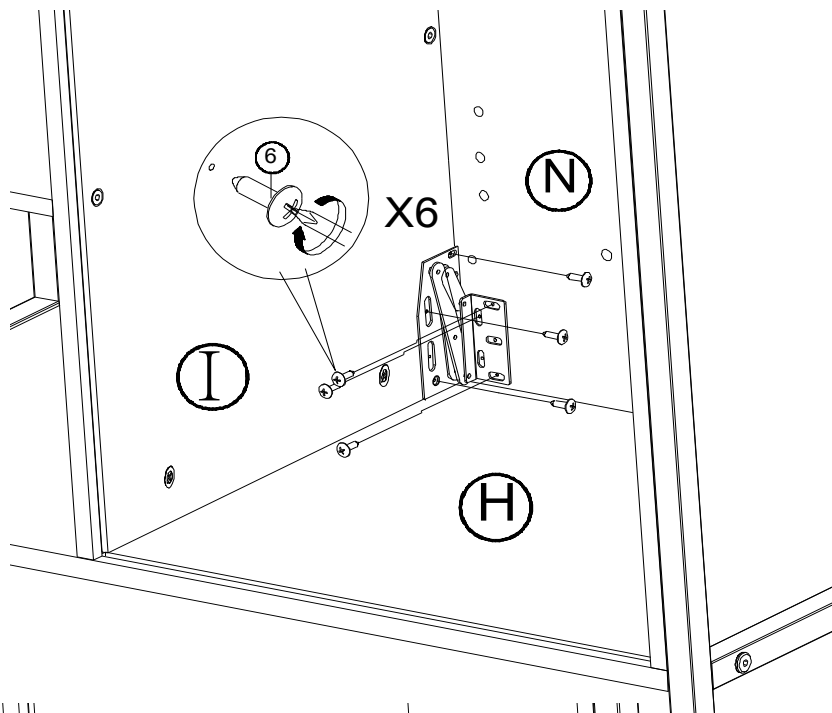
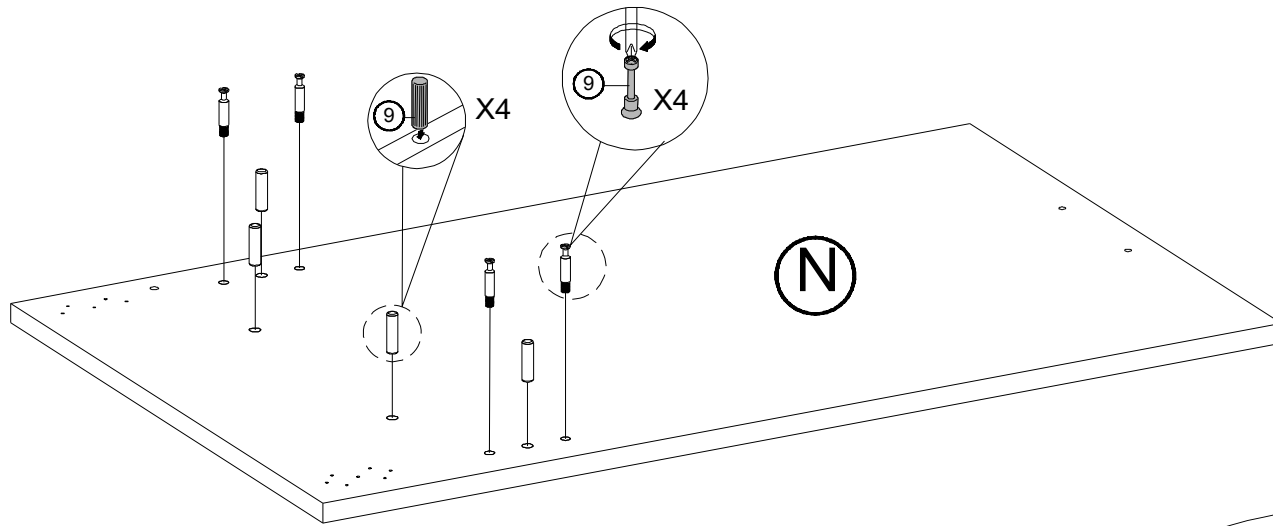
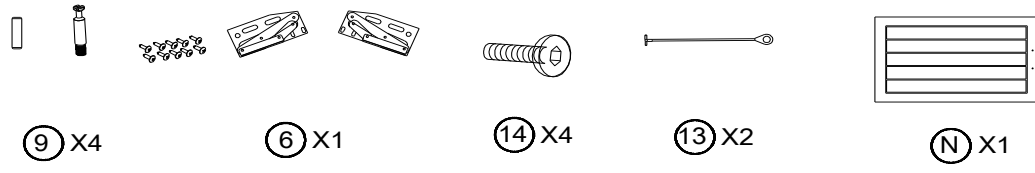


**Tips:** Make sure the label "D" on part D is facing backwards, i.e. the unlabeled side is facing you!

**Tips:** Please make sure that the label "F" of part F is facing downwards, and that the closer hole on both sides of F is connected to part "C", and the farther hole is connected to part "I".

# ASSEMBLY INSTRUCTIONS

# 3



# ASSEMBLY INSTRUCTIONS

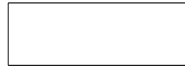
# 4



Ⓢ X10



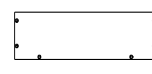
ⓐ X1



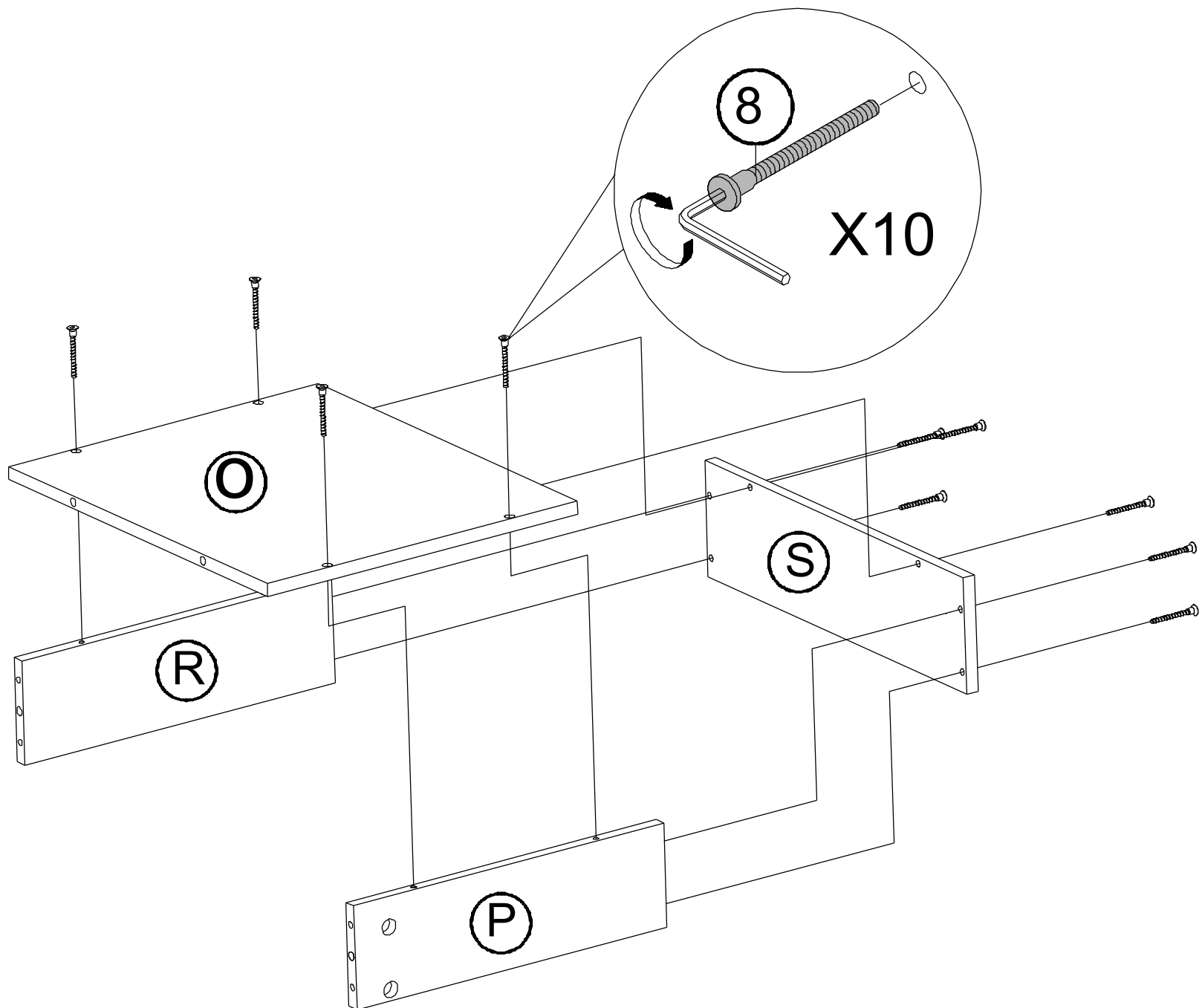
Ⓟ X1



Ⓡ X1



Ⓢ X1



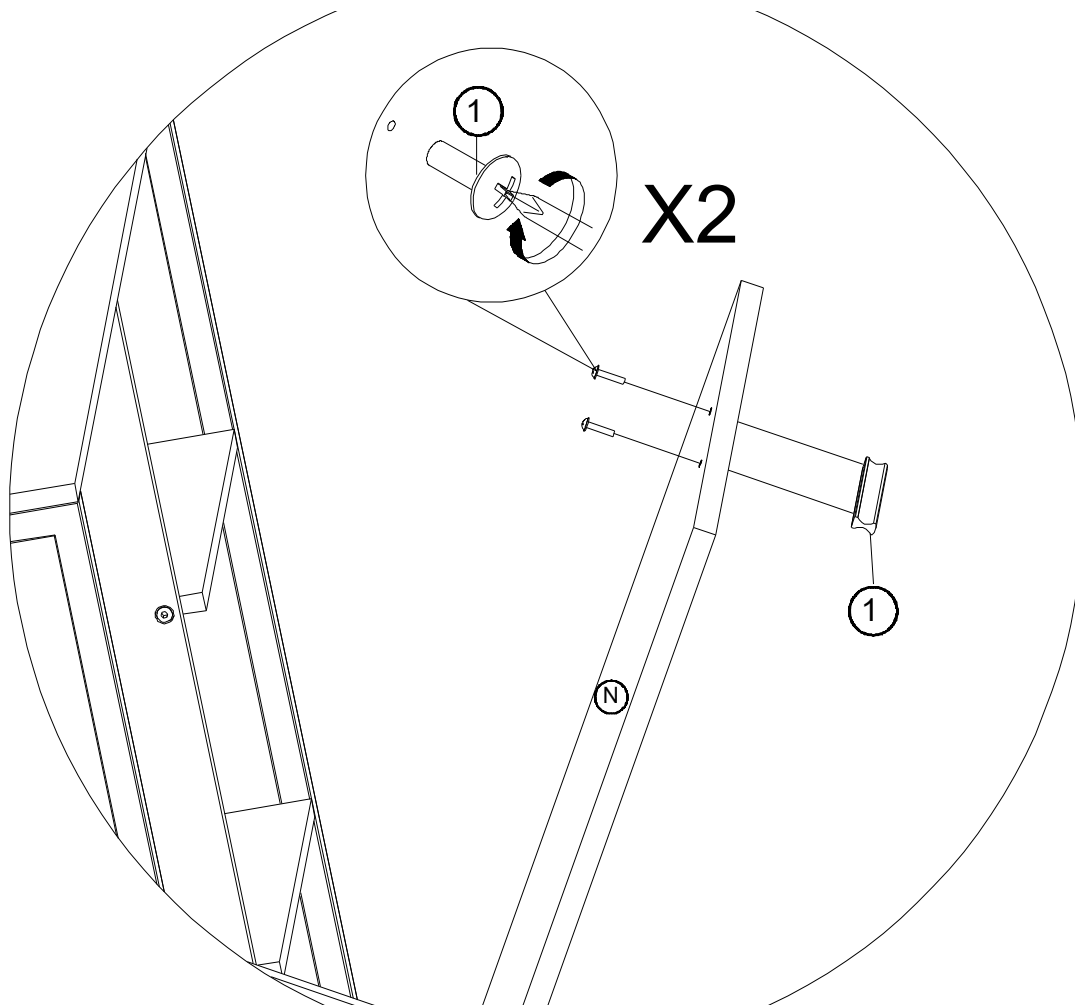
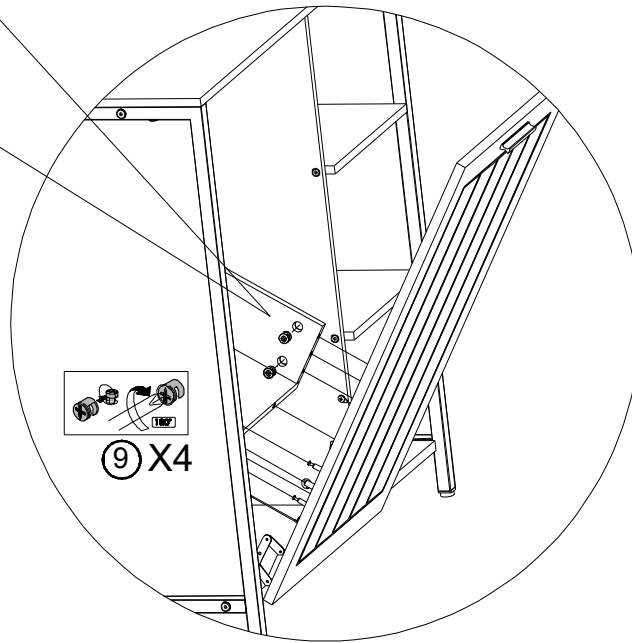
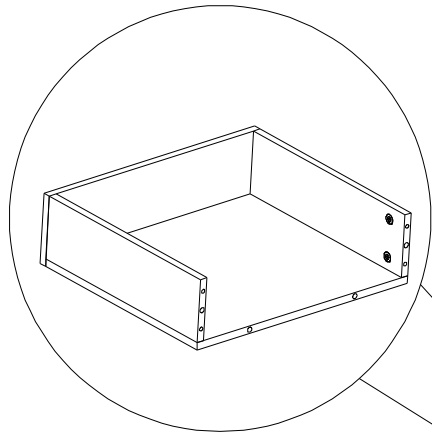
# 5



⑨ X4

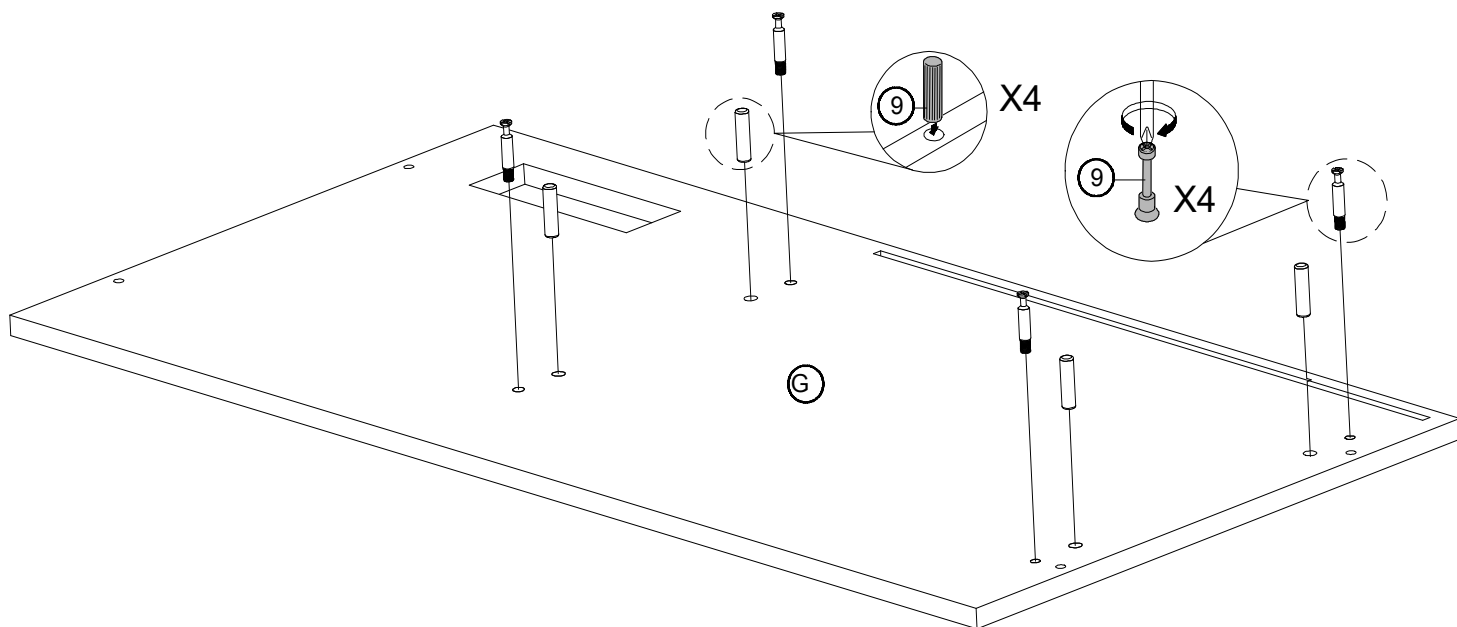
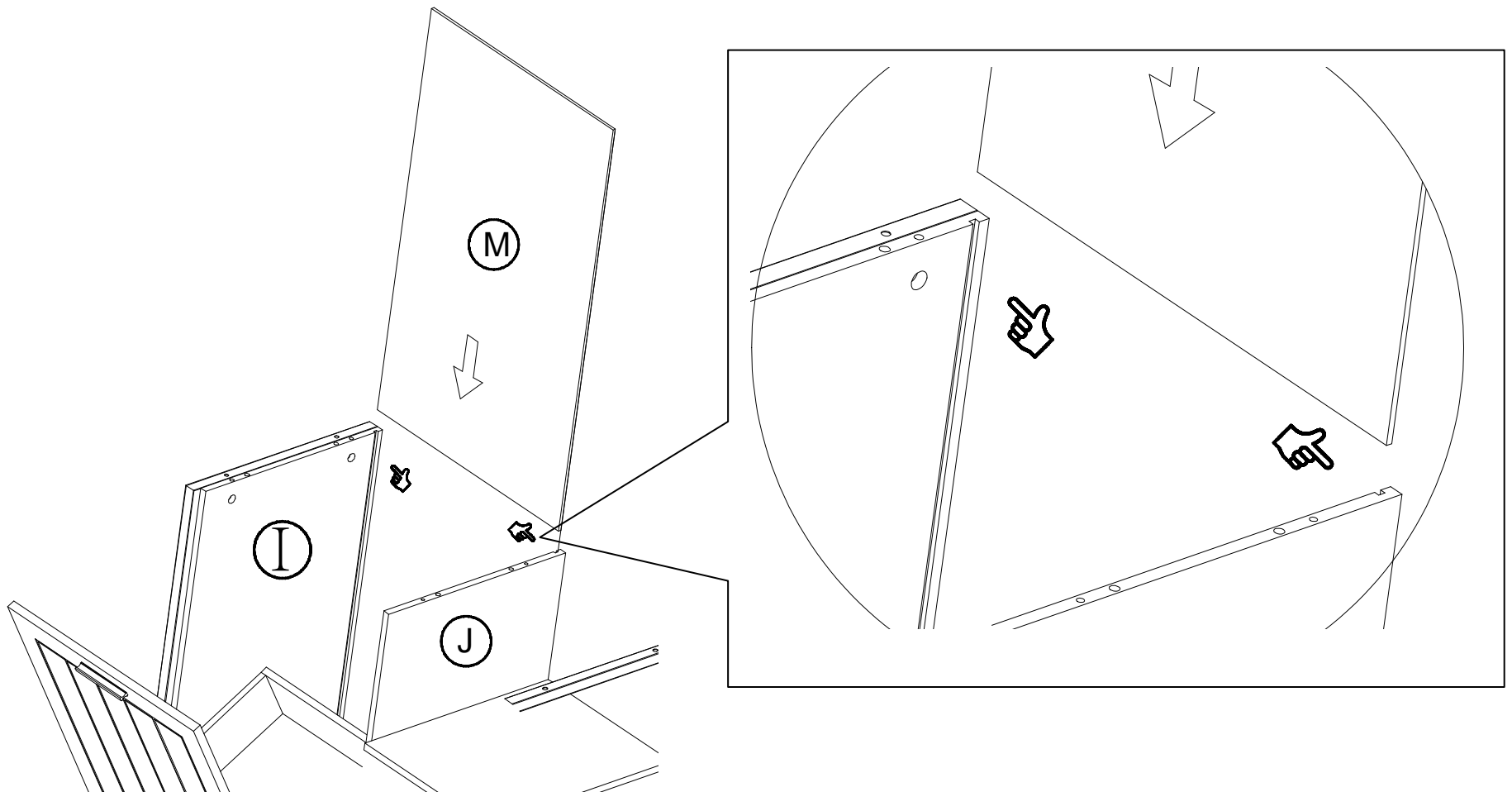
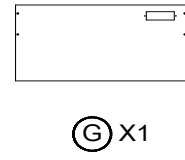
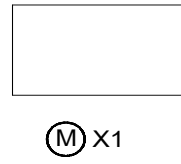
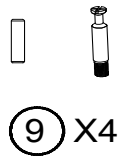


① X1



# ASSEMBLY INSTRUCTIONS

6



# ASSEMBLY INSTRUCTIONS

7



⑨ X4



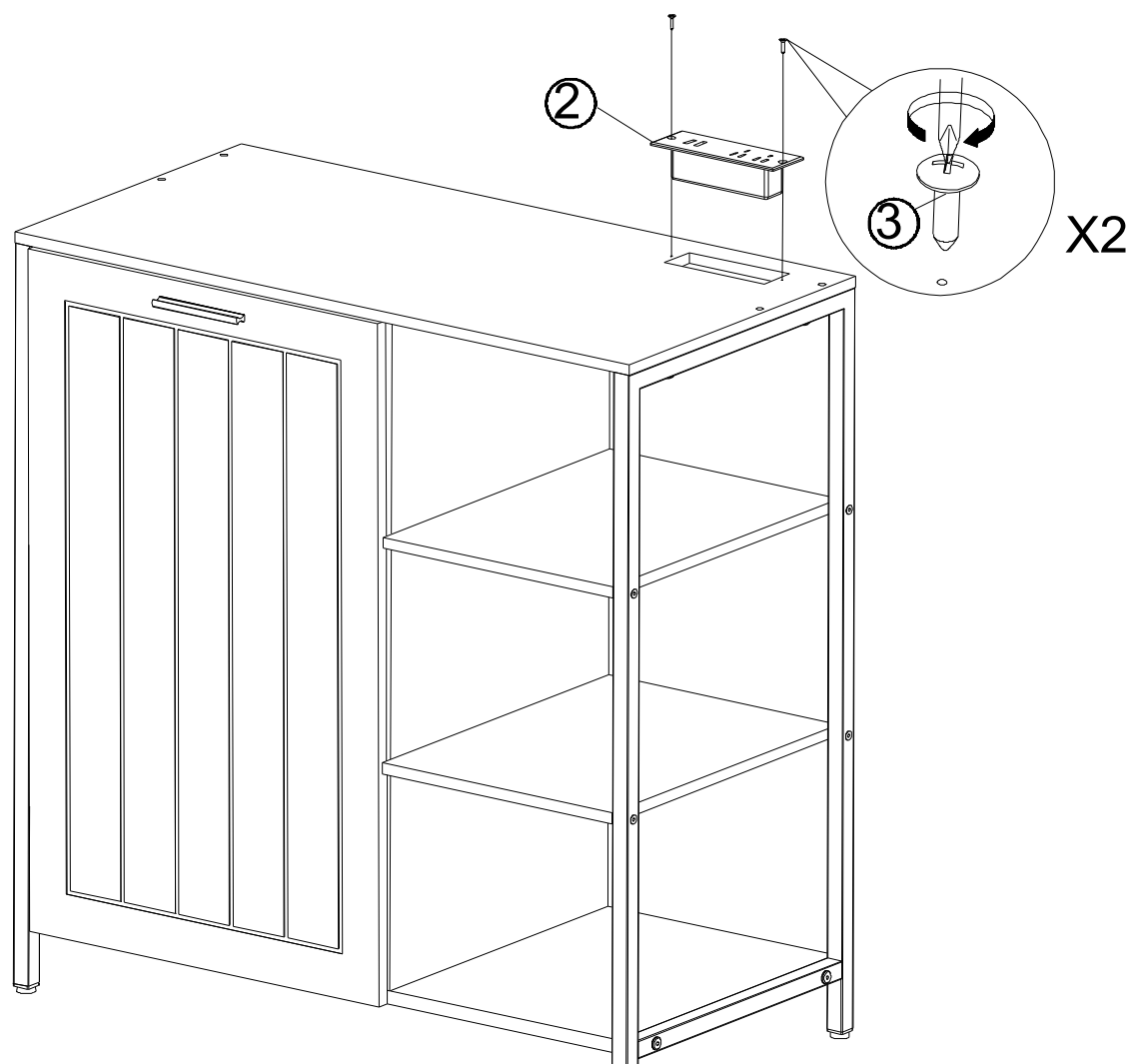
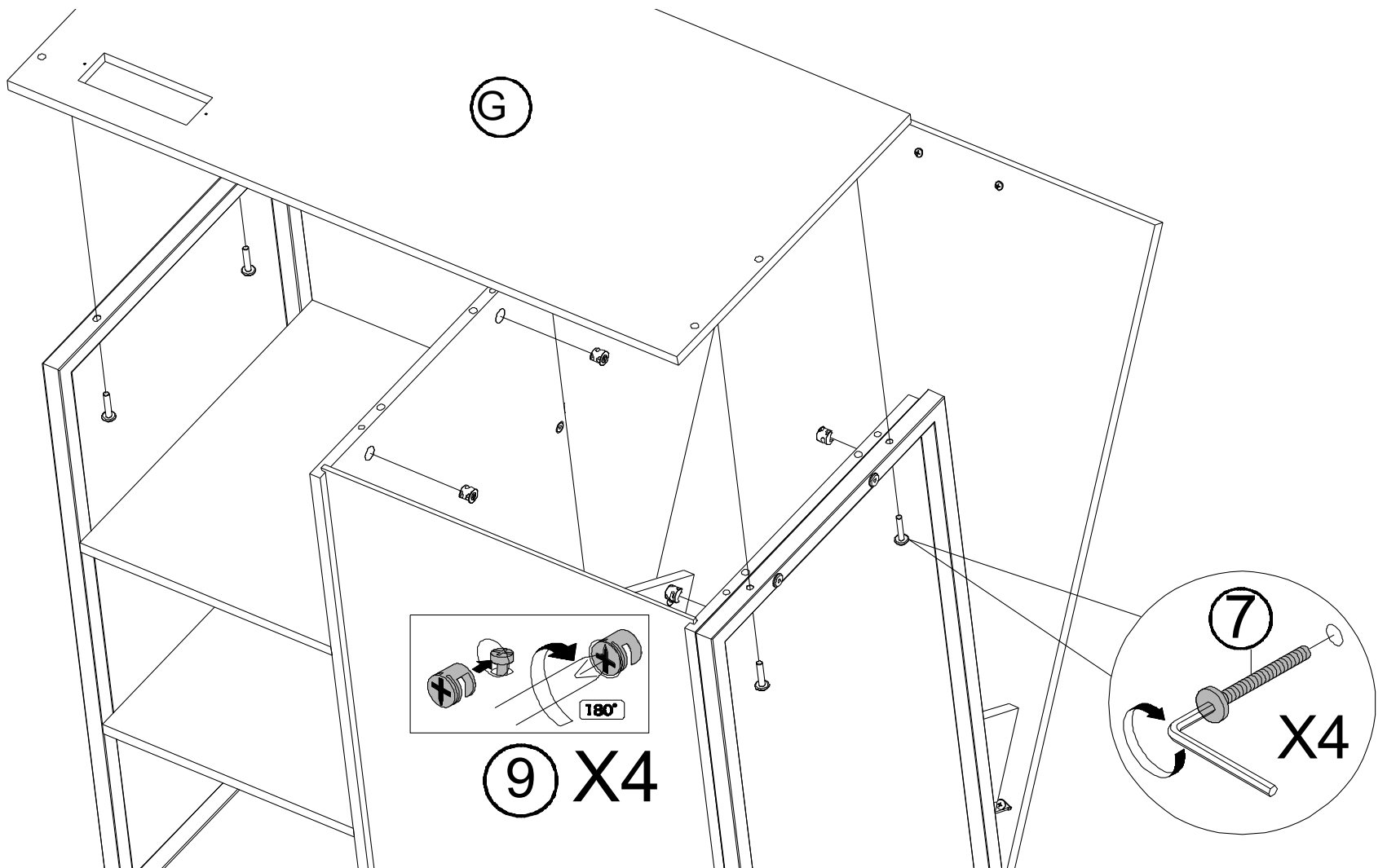
⑦ X4



③ X2



② X1



8



⑦ X4

