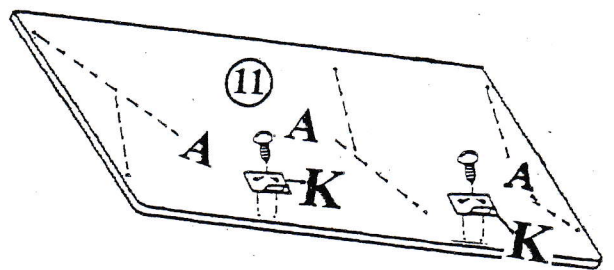
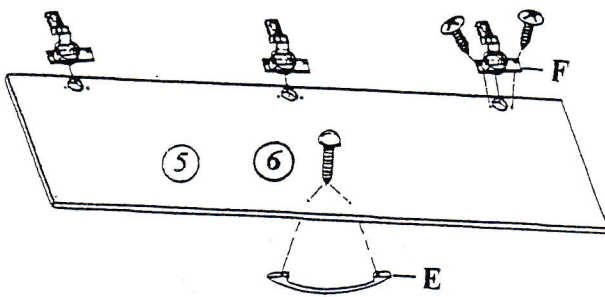
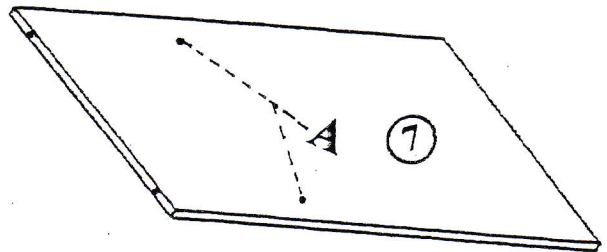
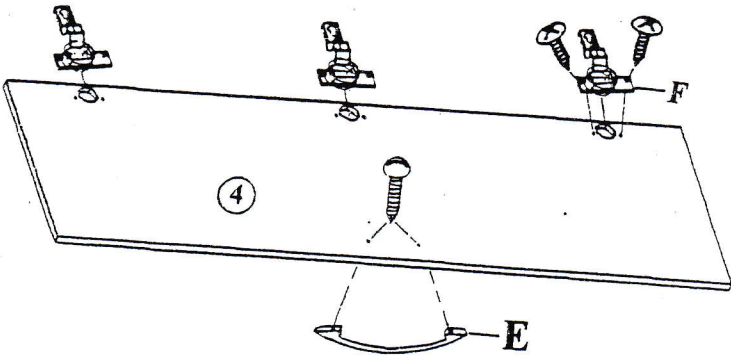
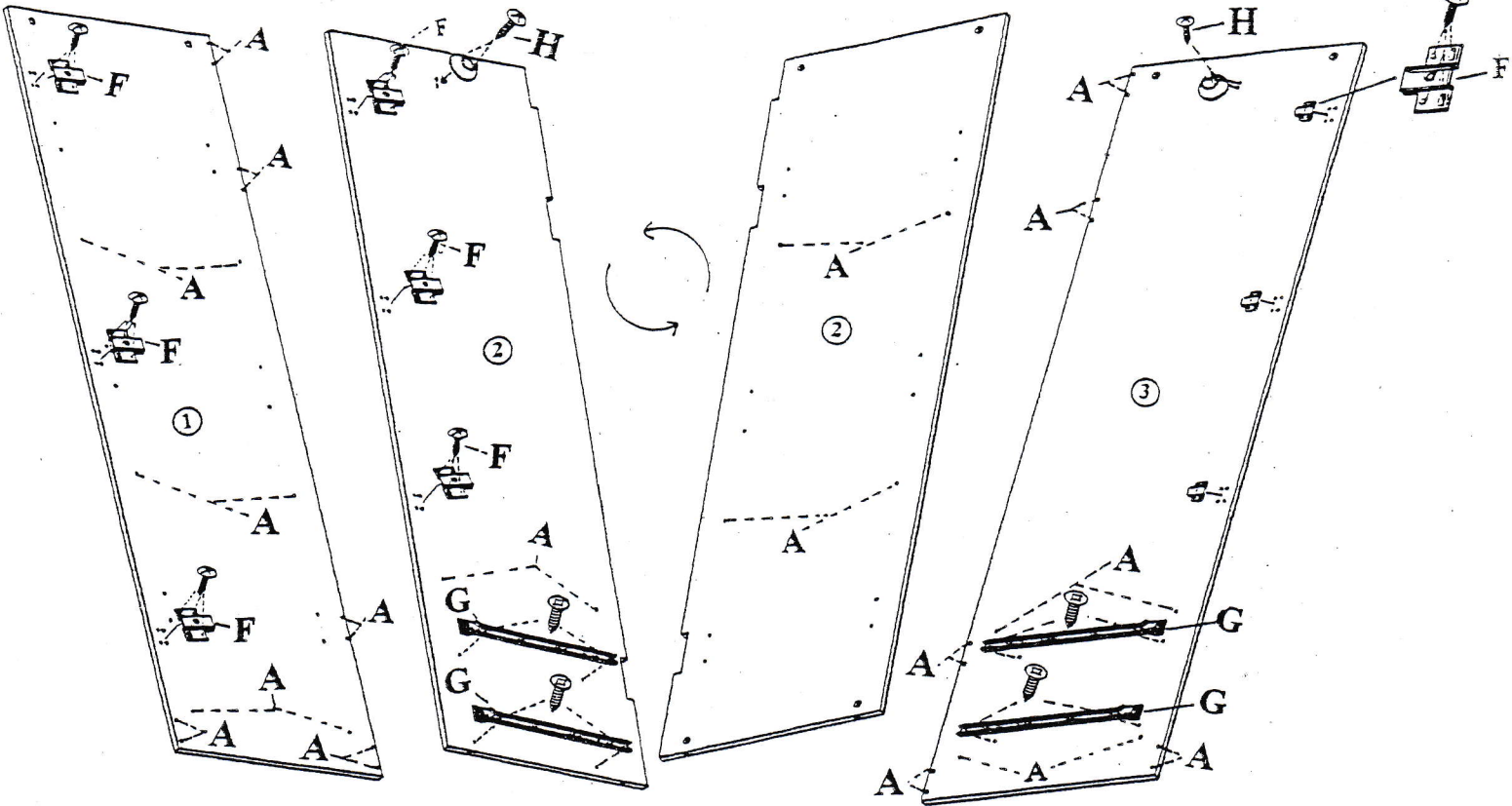
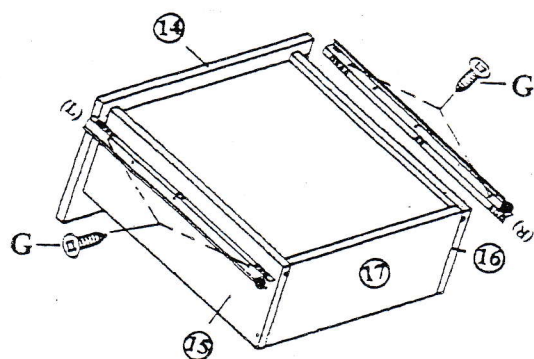
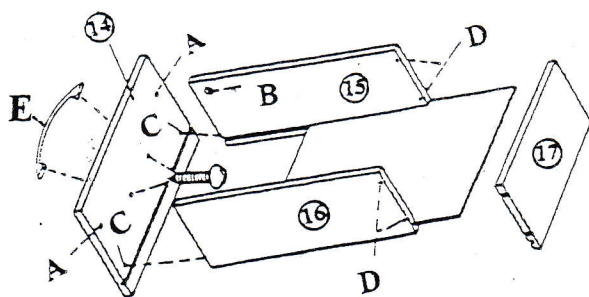
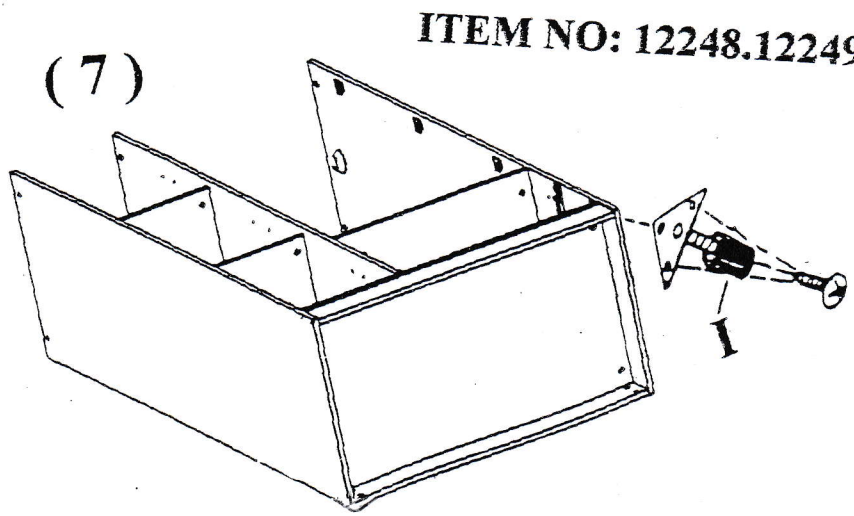
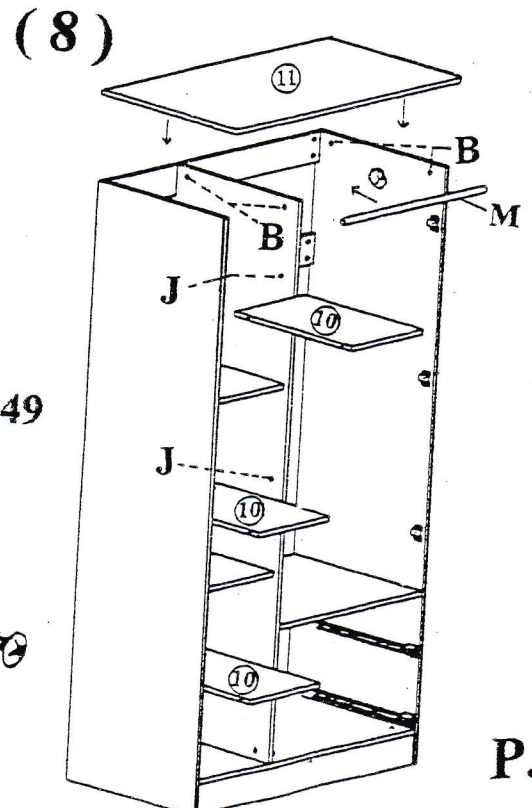
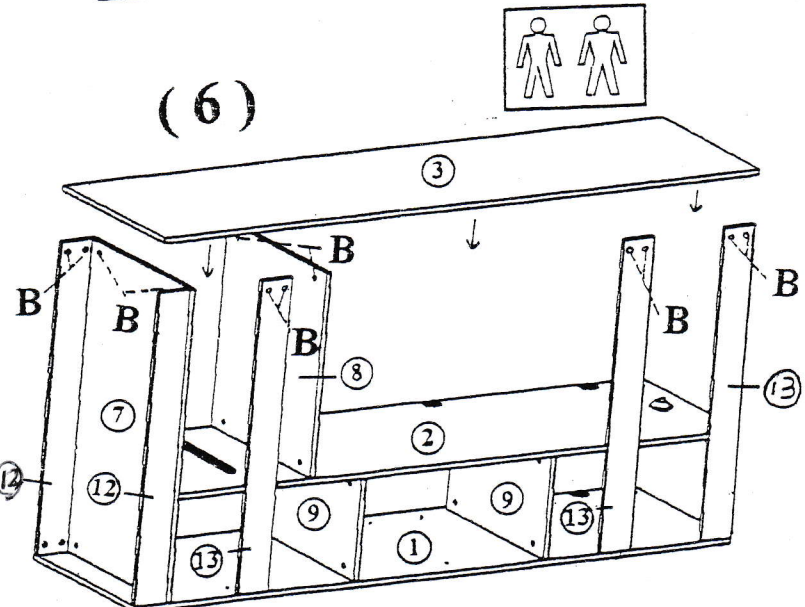
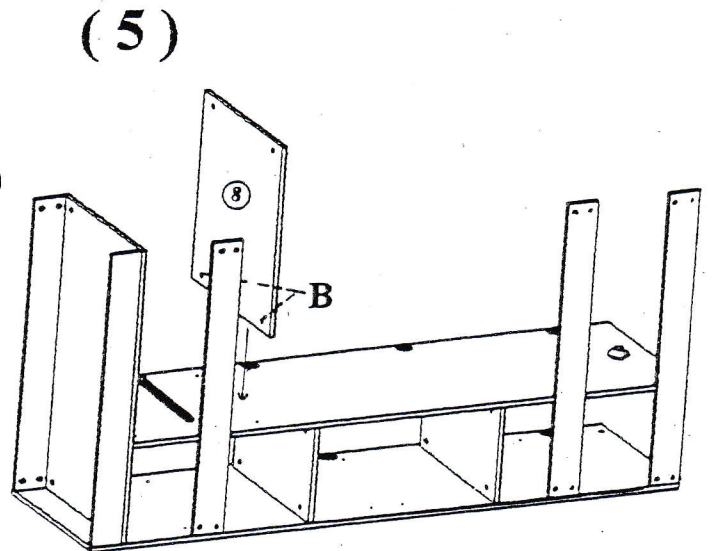
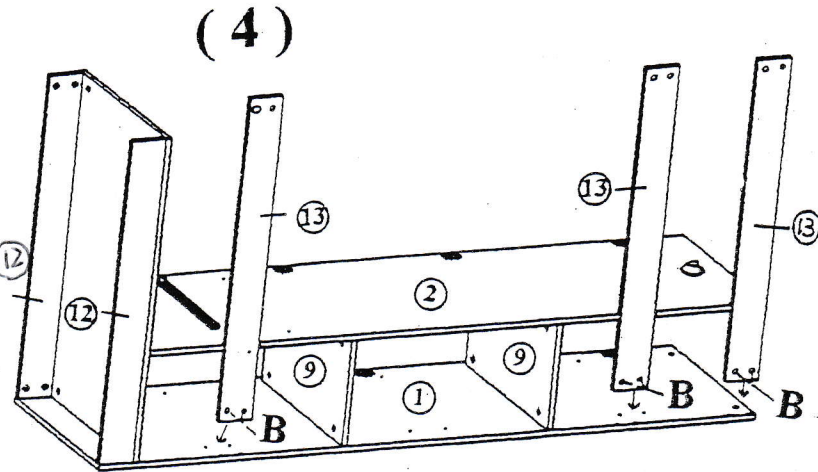
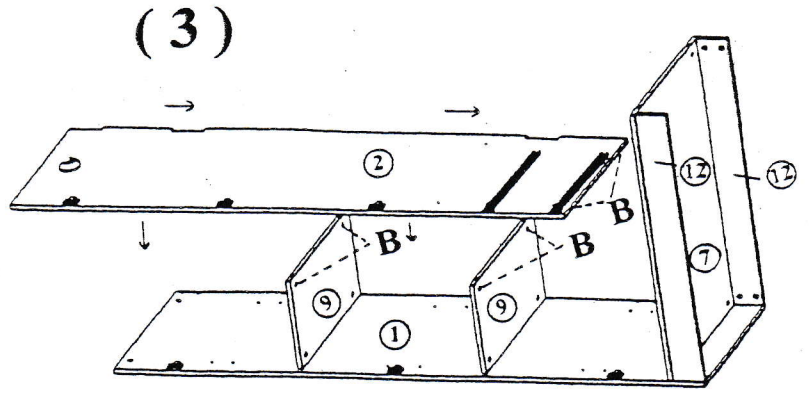
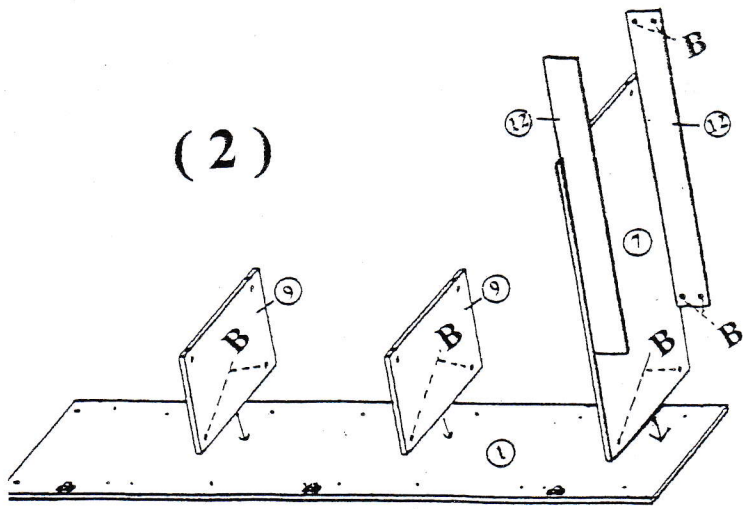


(1)



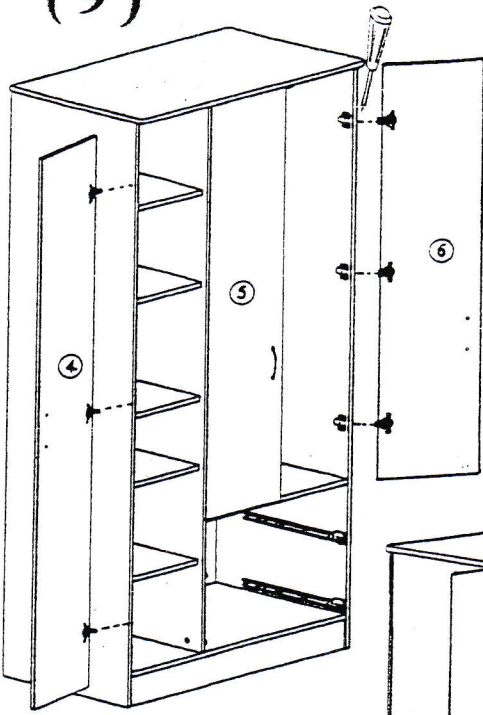
ITEM NO: 12248.12249



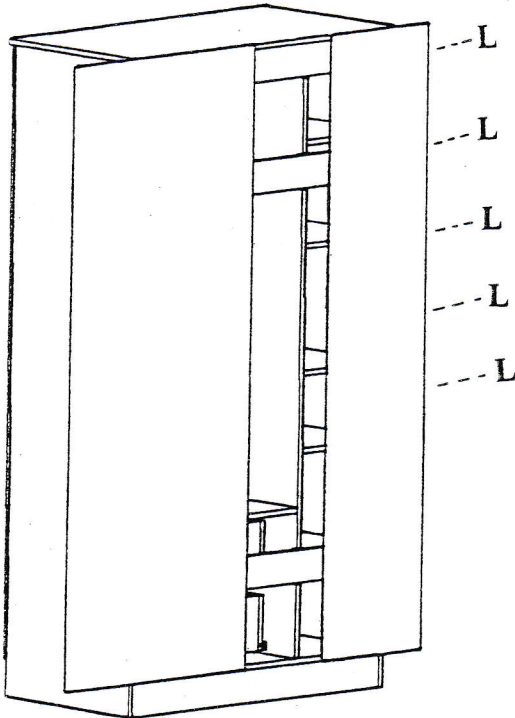


ITEM NO: 12248.12249

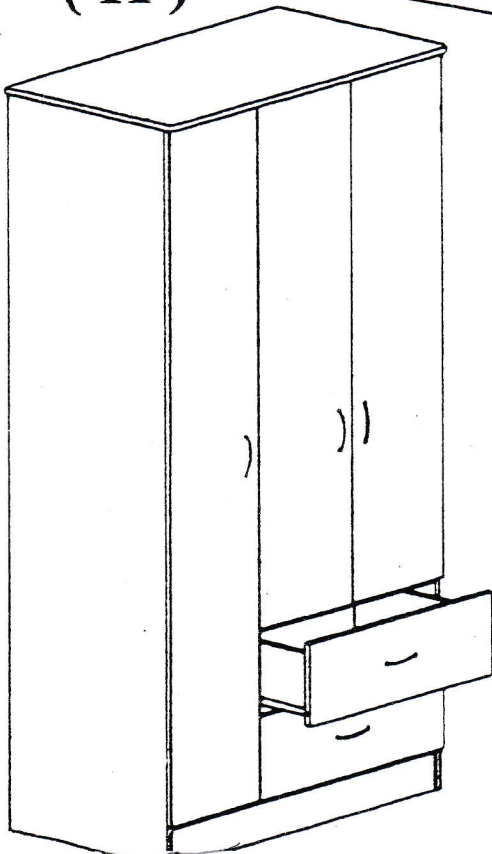
(9)



(10)



(11)



OK

A	39m/m	48 PS
B		48 PS
C	30m/m +  GLUE	4PS+1PS
D	34m/m	8 PS
E	+  27m/m	5 PS+10PS
F	+  15m/m	9PS 9PS 54PS
G	(L) 400m/m (R) 2PS(L) (L) 2PS(R) (R) 2PS(L) (L) 2PS(R) (R) 11m/m 24PS	
H	+  14m/m	2PS + 4PS
I	+  15m/m	4PS + 13PS
J		12 PS
K	+  14m/m	2PS + 4PS
L	17m/m	60 PS
M	552 m/m	1 PS

ITEM NO:

12248

○2248

12249

○2249