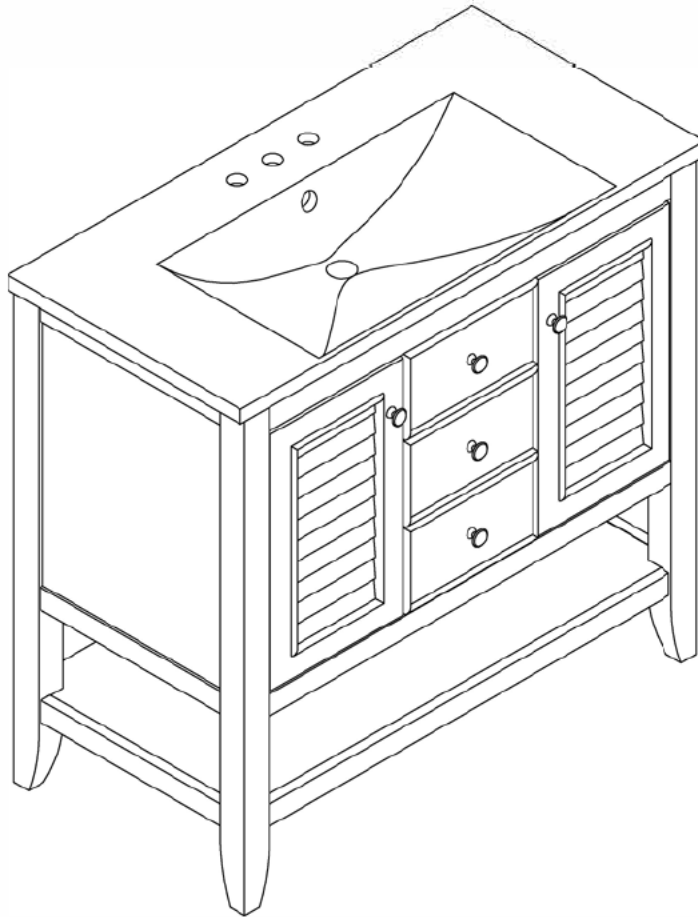


ASSEMBLY INSTRUCTIONS

36 INCH BATH VANITY-CABINET



Thank you for purchasing this quality product. Be sure to check all packing material carefully for small parts which may have come loose inside the carton during shipment. Separate, identify and count all parts and hardware.

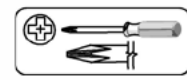
Compare with the parts list to be sure all parts are present.

"DO NOT TIGHTEN SCREWS UNTIL COMPLETELY ASSEMBLED"

- * Use of power tool to assemble this product will invalidate any claim and damage this product making unsafe !!!
- * Please assemble on a clean soft surface to avoid damage.



Tools Required



(Not included)



(Not included)

IMPORTANT:

PLEASE READ INSTRUCTION BEFORE STARTING THE ASSEMBLY

Thank you for buying our products.

Please read the installation manual carefully before installation,

we need you to follow the instructions on the accessories and hardware

step by step assembly complete, our instructions are very detailed.

Products are environmentally friendly products,

Please rest assured that you do not soak in water, do not place very heavy items,

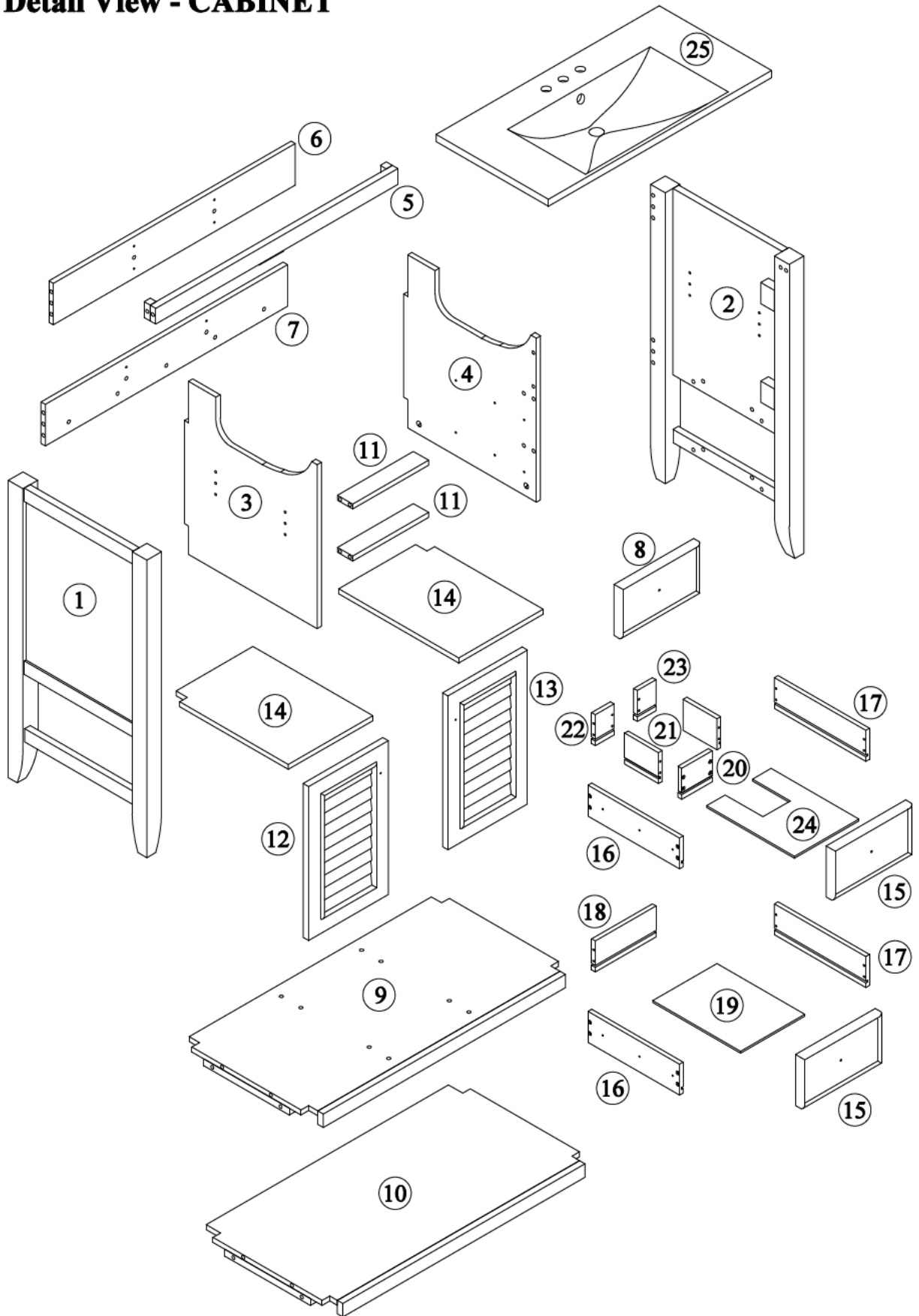
do not malicious push and pull,

if you have any problems in the process of assembly and use, please contact us.

Thank you again for your purchase of our products,

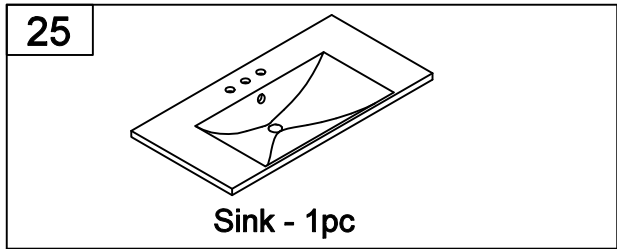
I wish you a happy life.

Detail View - CABINET

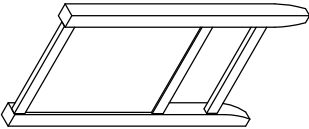
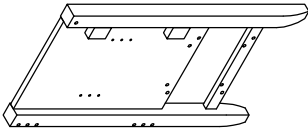
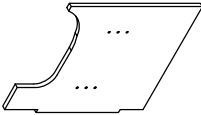
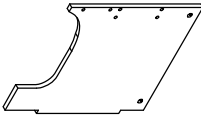
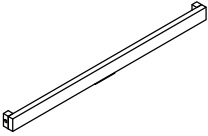
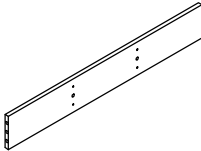
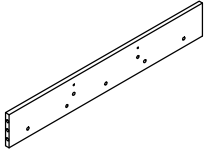
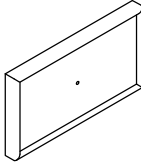
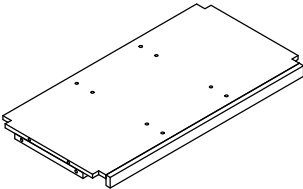
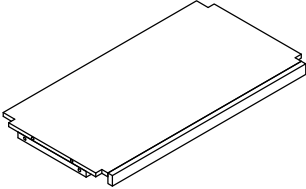


Identifying the Hardware—Identify the hardware using the illustrations below.

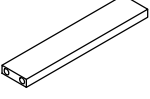
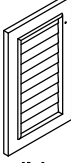
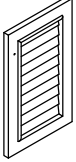
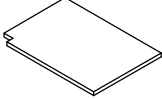
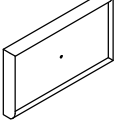
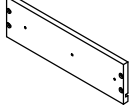

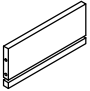
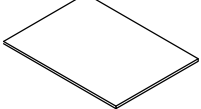
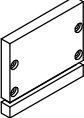
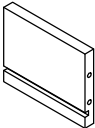
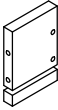
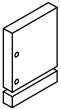
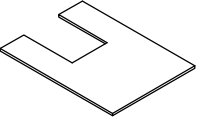
Part List





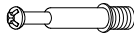




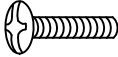
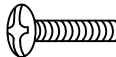
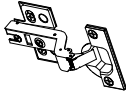
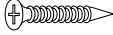
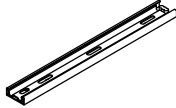
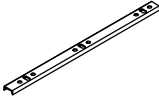
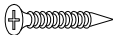
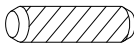
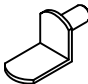

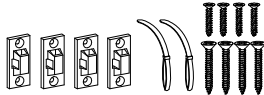
Part List

1		2	
Side Panel (L) - 1pc		Side Panel (R) - 1pc	
3		4	
Mid Fixed Panel (L) - 1pc		Mid Fixed Panel (R)- 1pc	
5		6	
Top Crossbar - 1pc		Back Panel Top - 1pc	
7		8	
Back Panel Bottom - 1pc		Fake drawer - 1pc	
9		10	
Mid Fixed Panel - 1pc		Bottom Fixed Panel - 1pc	

Part List

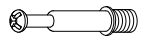
<p>11</p>  <p>Center Fixed Bar - 2pcs</p>	<p>12</p>  <p>Door (L) - 1pc</p>
<p>13</p>  <p>Door (R) - 1pc</p>	<p>14</p>  <p>Adjustable Shelf - 2pcs</p>
<p>15</p>  <p>Drawer Front - 2pcs</p>	<p>16</p>  <p>Drawer Side (L) - 2pcs</p>
<p>17</p>  <p>Drawer Side (R) - 2pcs</p>	<p>18</p>  <p>Drawer Back - 1pc</p>
<p>19</p>  <p>Drawer Bottom (1) - 1pc</p>	<p>20</p>  <p>Drawer Side Front - 1pc</p>
<p>21</p>  <p>Drawer Side Mid - 2pcs</p>	<p>22</p>  <p>Drawer Rear (L) - 1pc</p>
<p>23</p>  <p>Drawer Rear (R) - 1pc</p>	<p>24</p>  <p>Drawer Bottom (2) - 1pc</p>

Hardware List

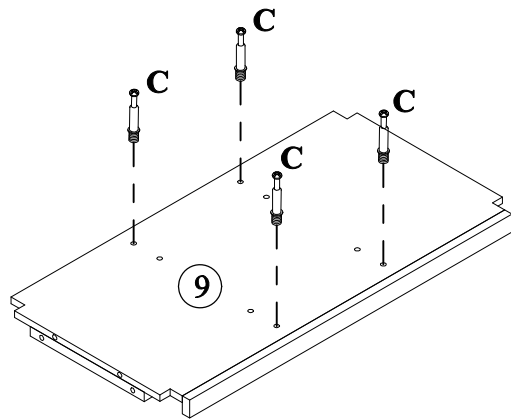
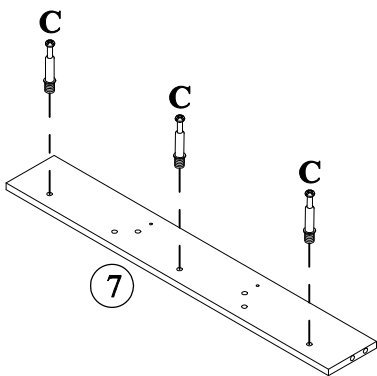
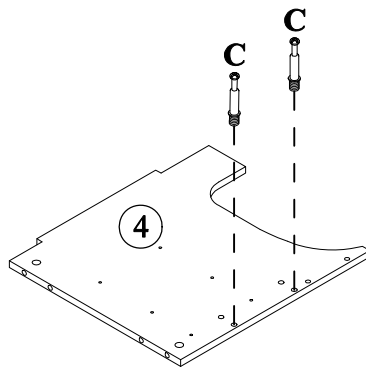
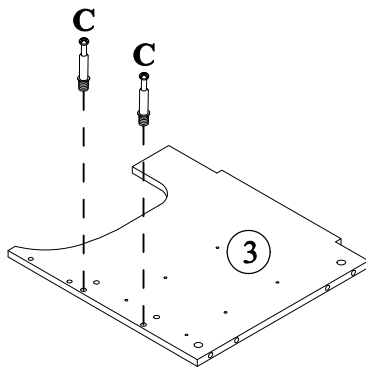
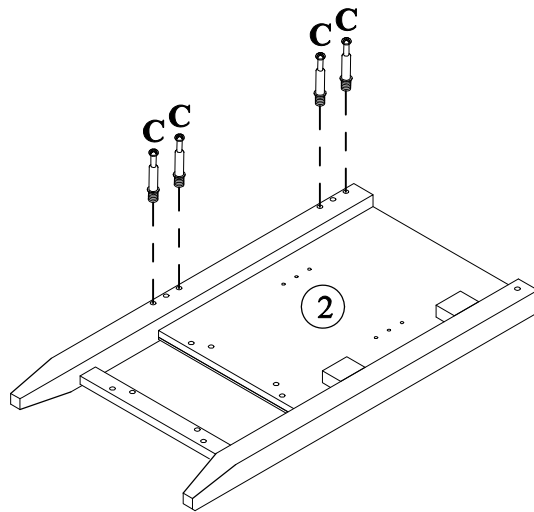
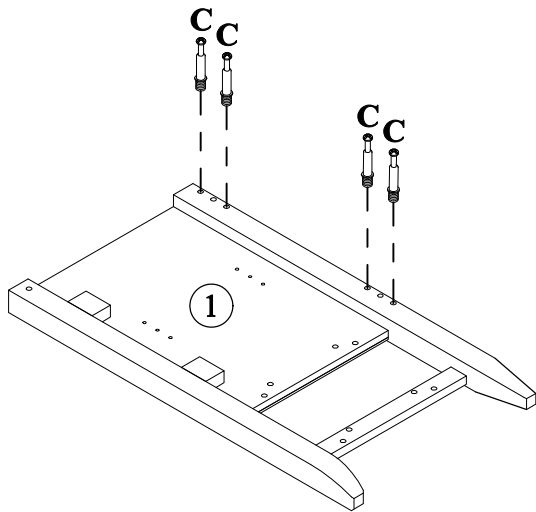
<p>A</p>  <p>ø13x1/4"x30mm</p>	<p>B</p>  <p>ø1/4"x16x1mm</p>	<p>C</p>  <p>ø6x35mm</p>
<p>Hex-Head bolts - 14pcs Washer - 14pcs Three in one bolts - 19pcs</p>		
<p>D</p>  <p>ø14.5x12mm</p>	<p>E</p>  <p>ø8xø4x25mm</p>	<p>F</p>  <p>ø8xø4x32mm</p>
<p>Three in one lock - 19pcs Round head screw - 6pcs Round head screw - 24pcs</p>		
<p>G</p> 	<p>H</p>  <p>ø5/32"x20mm</p>	<p>J</p>  <p>ø5/32"x32mm</p>
<p>Handle - 5pcs Handle screw - 3pcs Handle screw - 2pcs</p>		
<p>K</p> 	<p>L</p>  <p>ø7xø3.5x15mm</p>	<p>M</p>  <p>ø300x35mm</p>
<p>Damping hinge - 4pcs Flat head screw - 24pcs Slide rails - 4pcs</p>		
<p>N</p>  <p>ø298x18mm</p>	<p>O</p>  <p>ø6xø3x12mm</p>	<p>P</p>  <p>ø8x30mm</p>
<p>Slide rails - 4pcs Flat head screw(24pcs) Wood dowel - 30pcs</p>		
<p>Q</p> 	<p>R</p>  <p>4mm</p>	<p>S</p> 
<p>Laminate pad - 8pcs Allen key - 1pc Anti fall hardware - 1set</p>		

STEP: 1


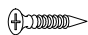
C

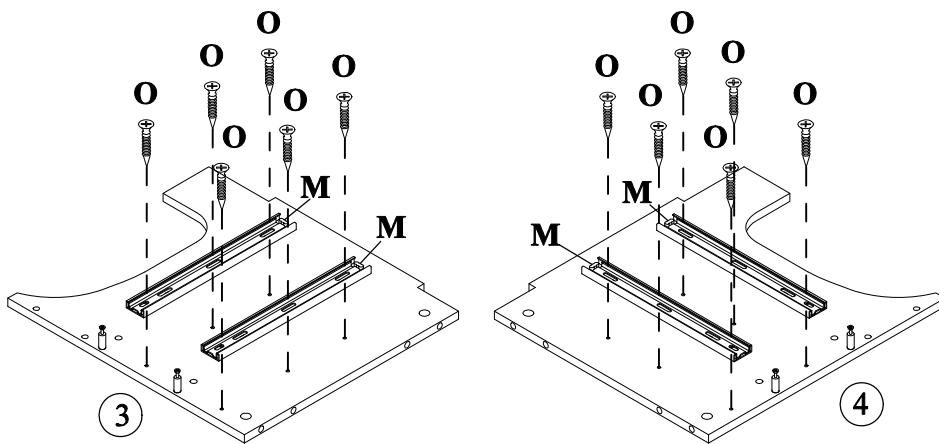


19PCS







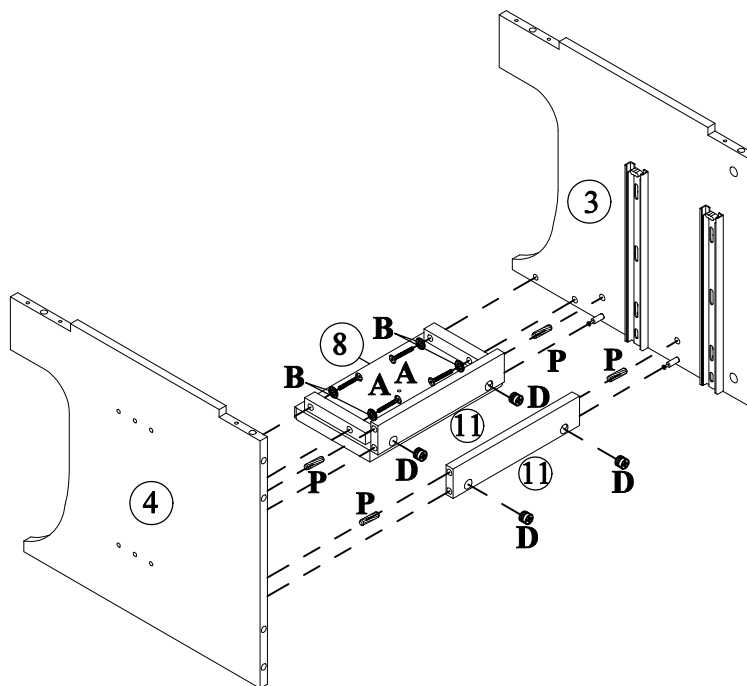
STEP: 2

M		O	
	4PCS		12PCS

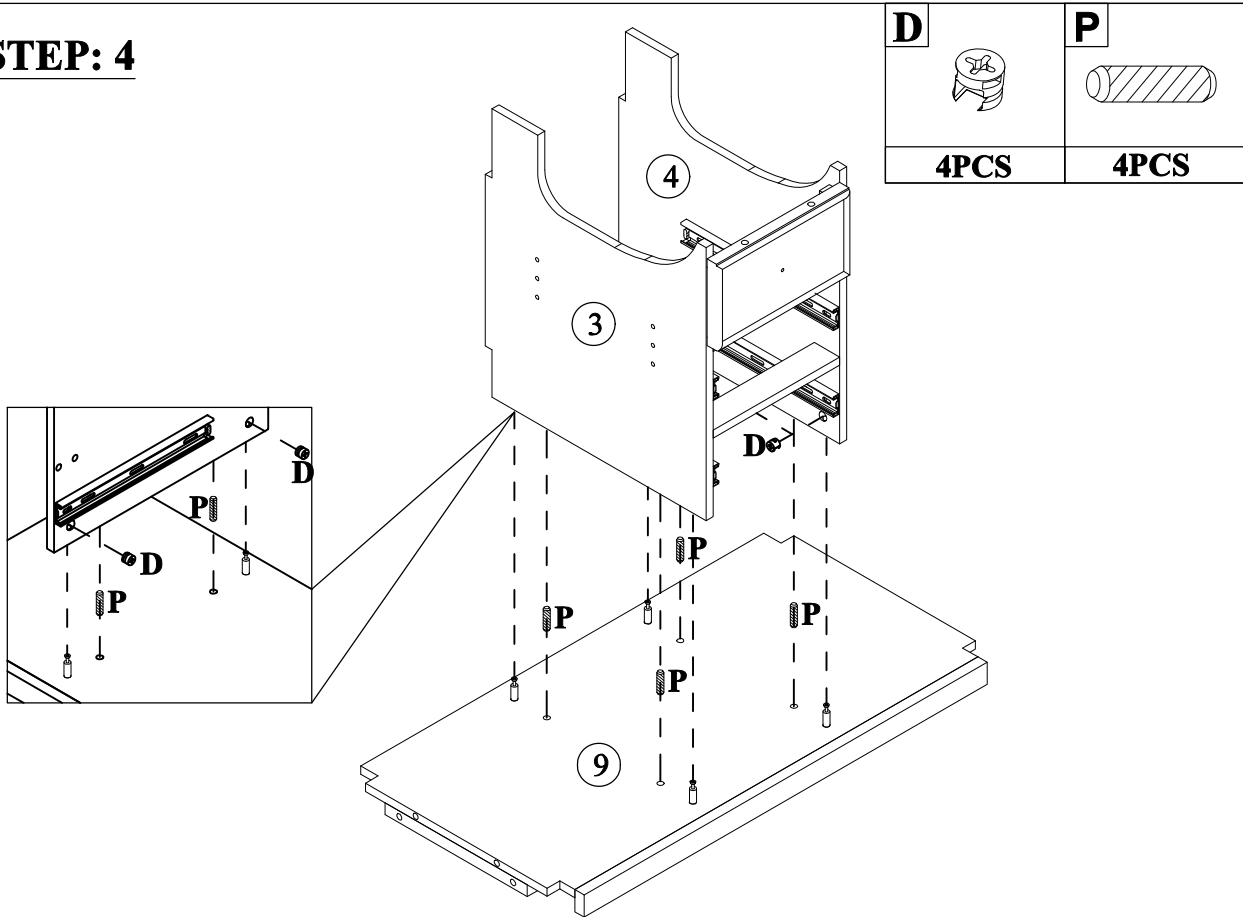



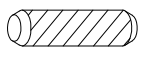
STEP: 3

A	B	D	P
			
4PCS	4PCS	4PCS	4PCS

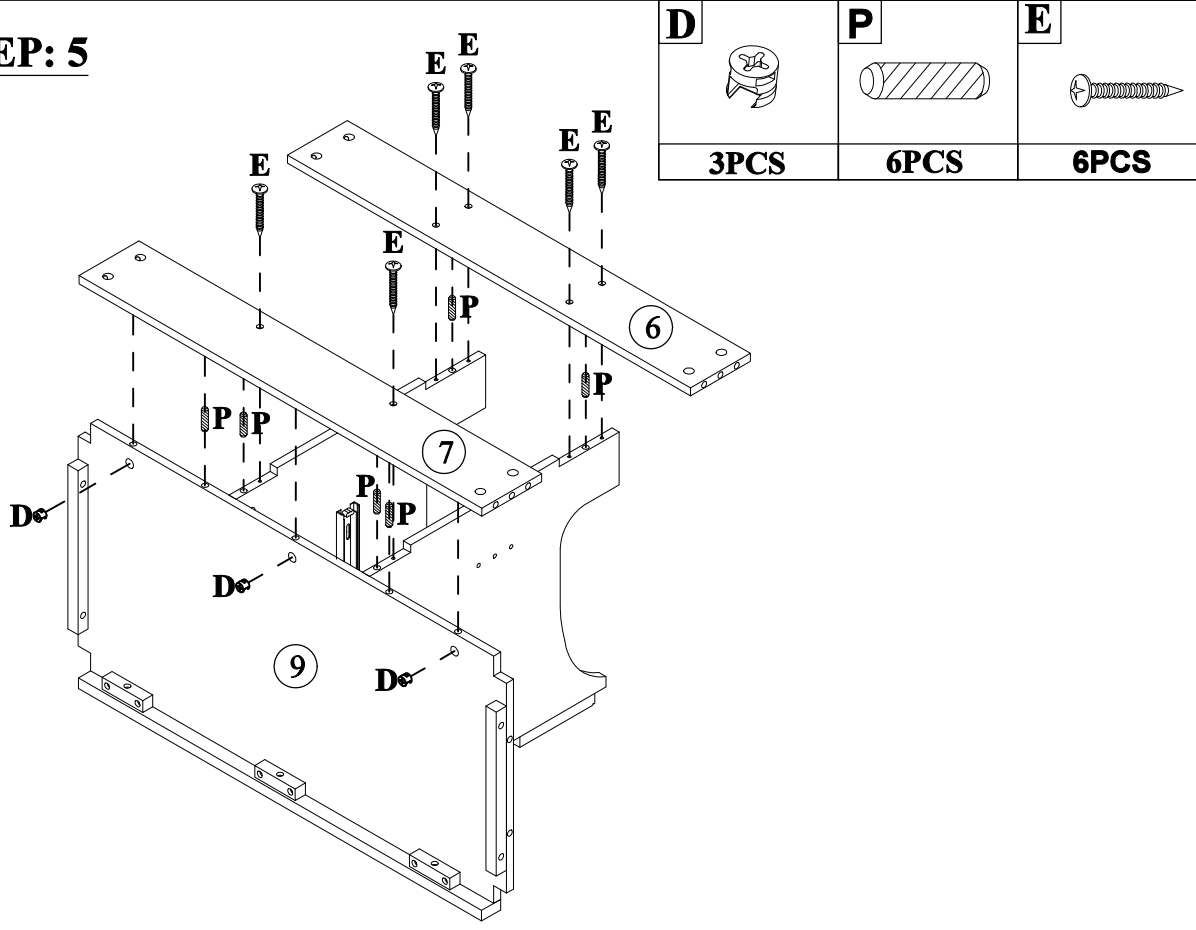



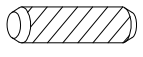

STEP: 4



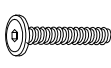


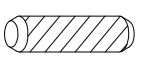
D		P	
	4PCS		4PCS

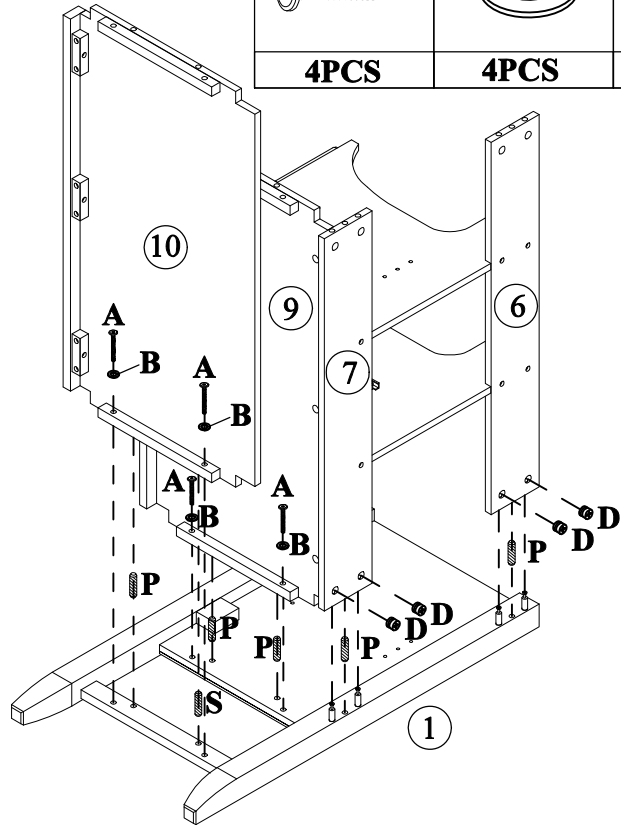
STEP: 5



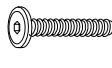

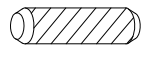
D		P		E	
	3PCS		6PCS		6PCS

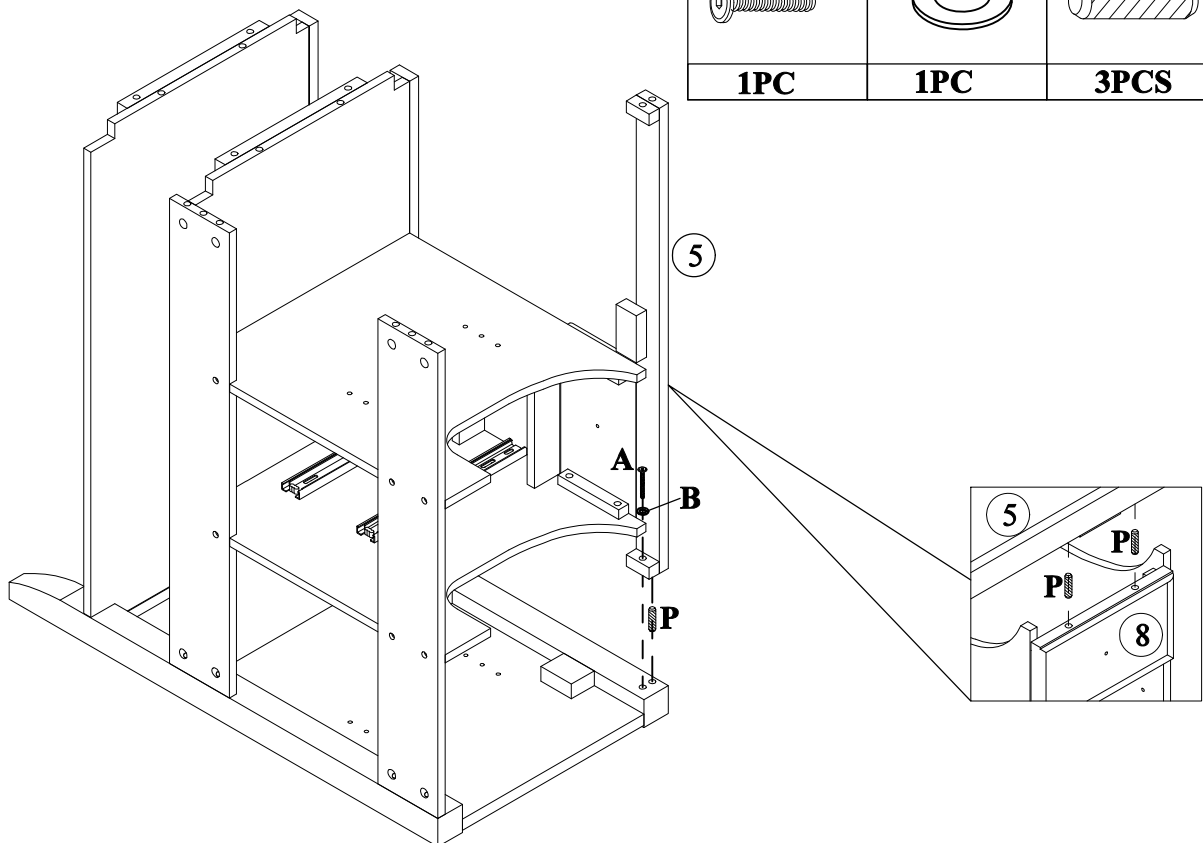
STEP: 6

A	B	D	P
			
4PCS	4PCS	4PCS	6PCS

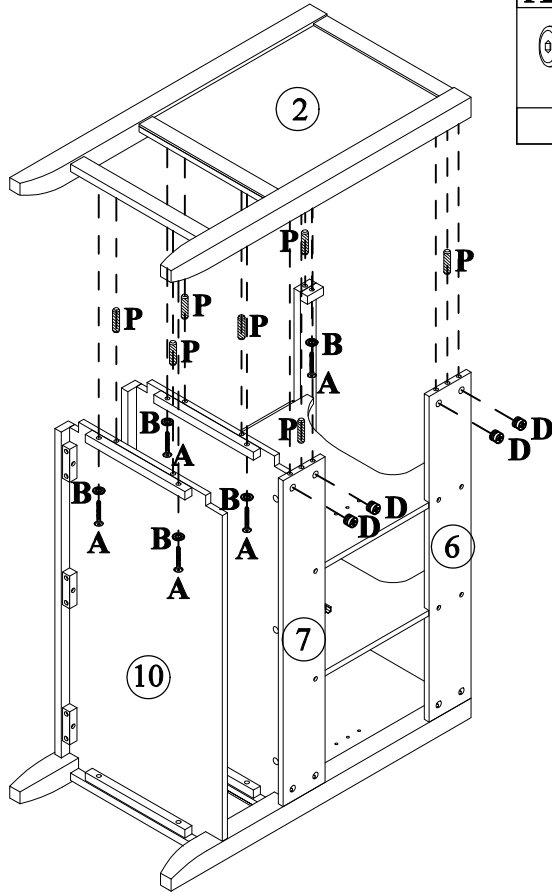




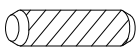

STEP: 5

A	B	P
		
1PC	1PC	3PCS

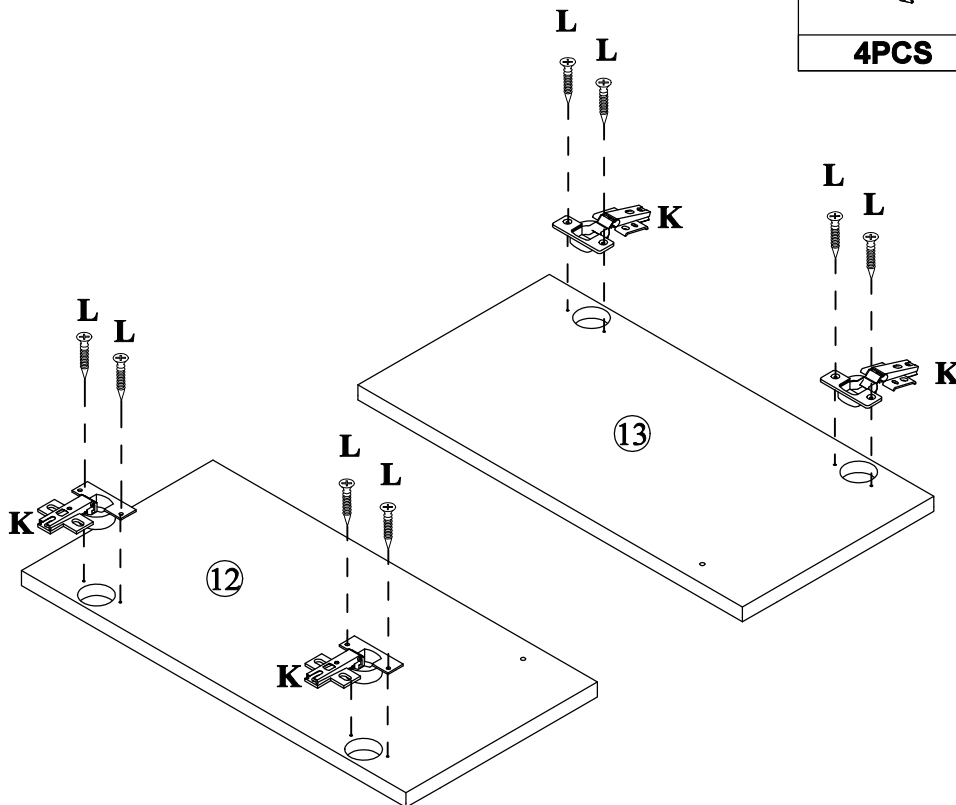




STEP: 6




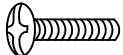

A 	B 	P 
5PCS	5PCS	7PCS
		D 
		4PCS

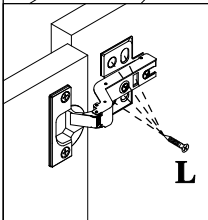
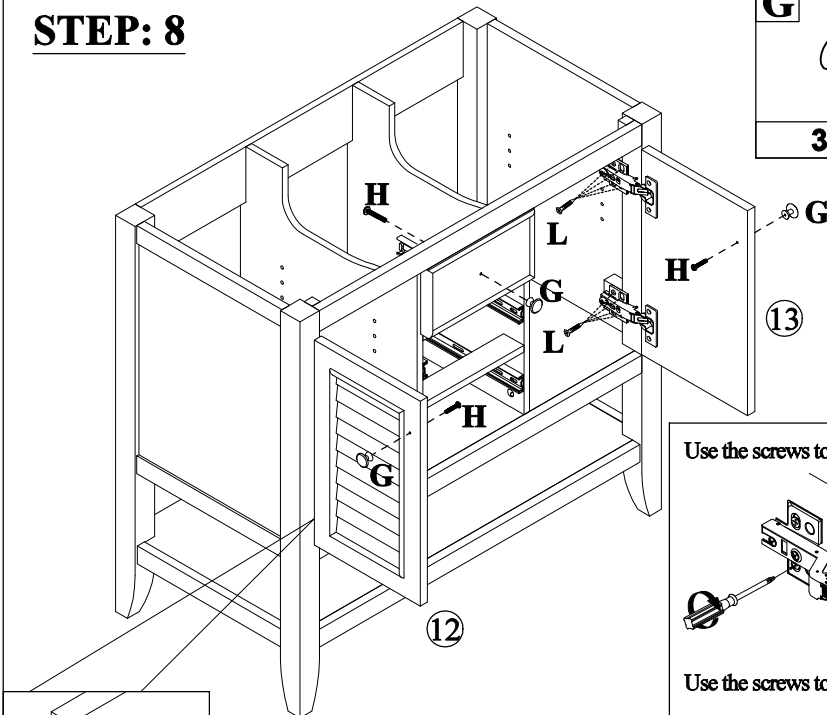
STEP: 7



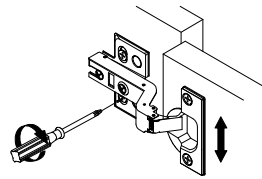
K 	L 
4PCS	8PCS

STEP: 8

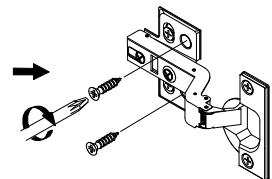
G	H	L
		
3PCS	3PCS	16PCS



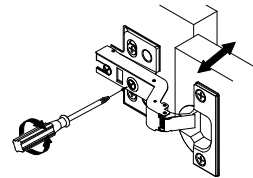
Use the screws to adjust up or down



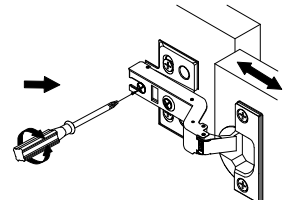
Use the screws to permanent



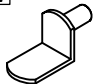
Use the screws to adjust left or right

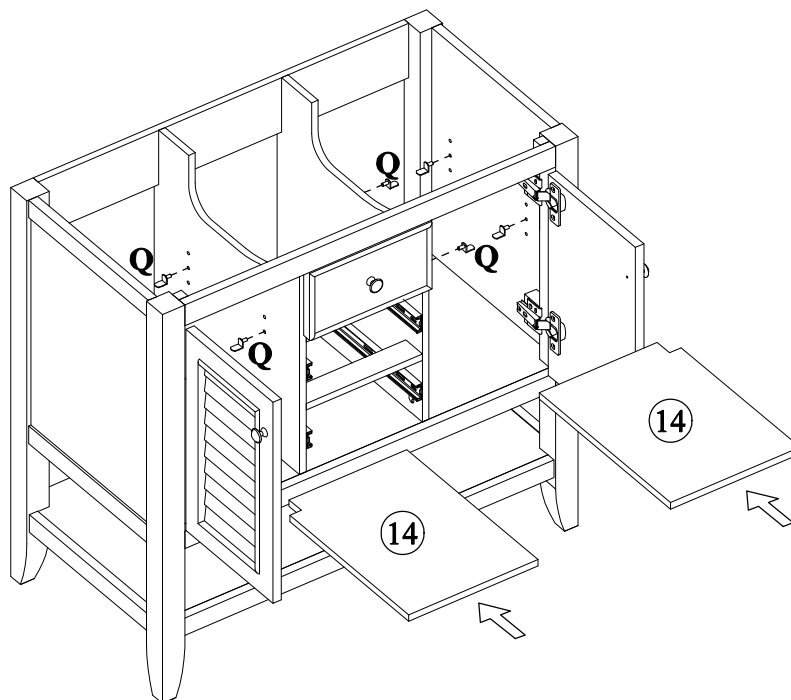


Use the screws to adjust in or out



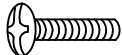
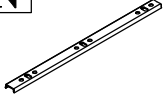



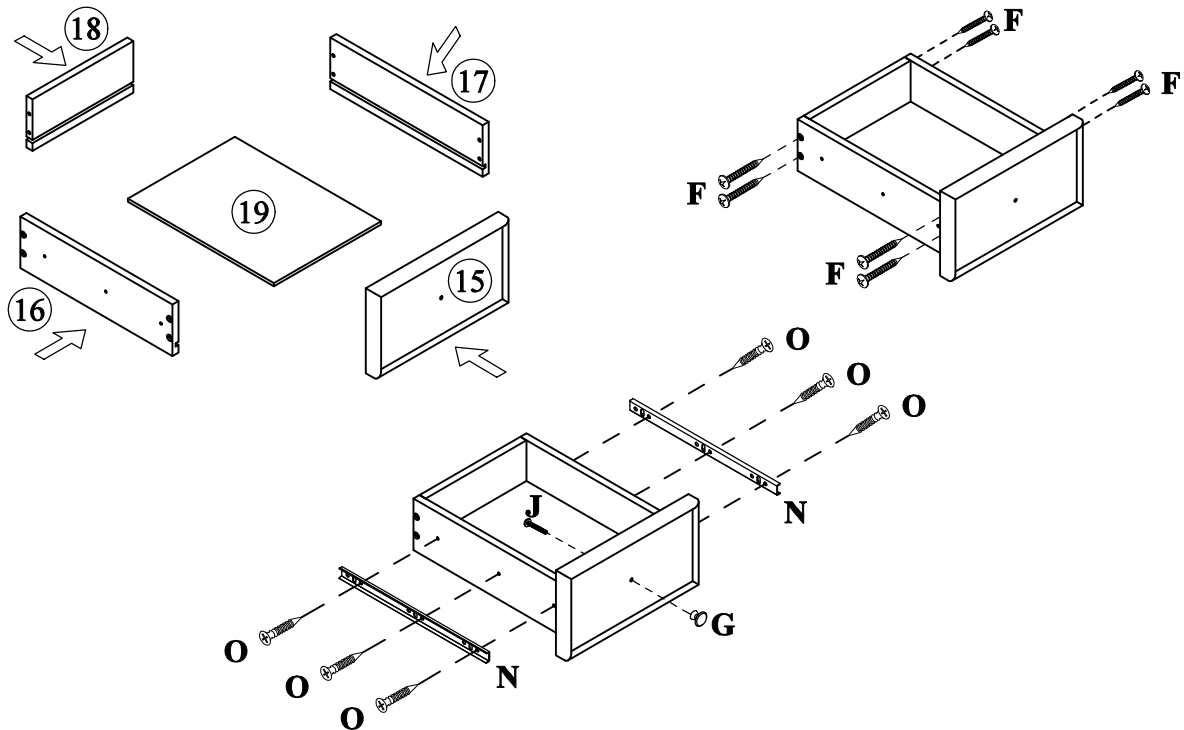
STEP: 9

Q

8PCS




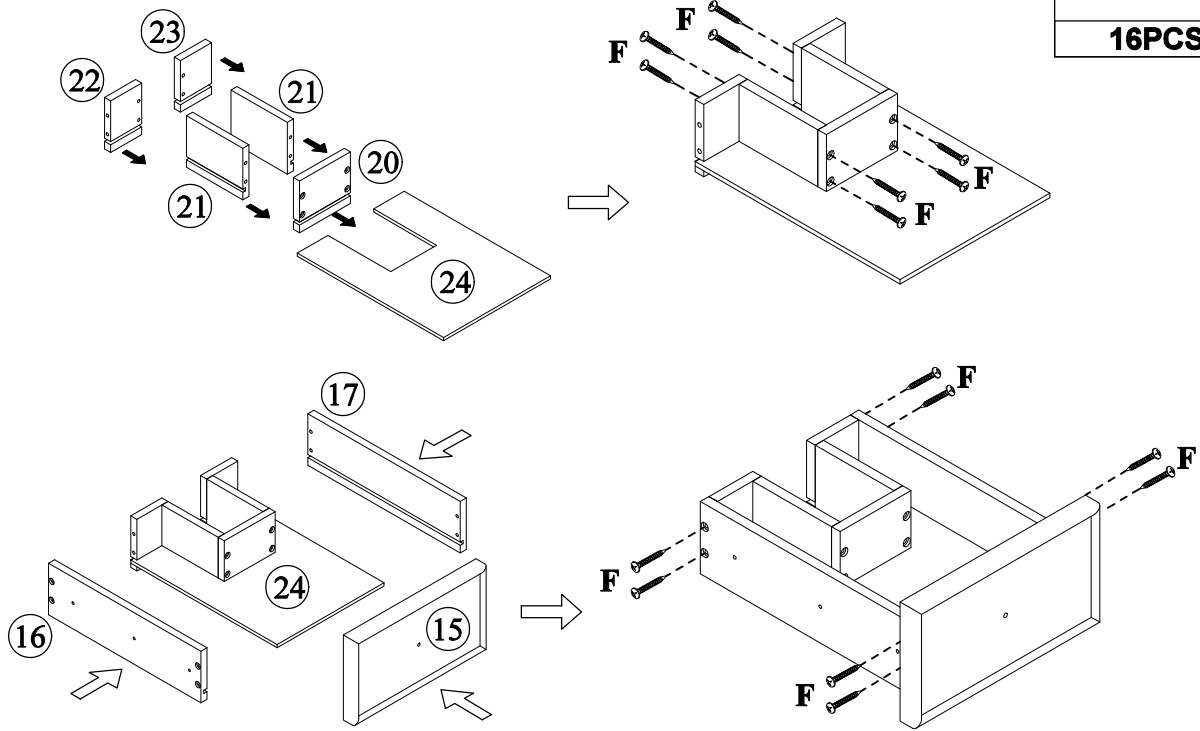
STEP: 10

F 	G 	J 	N 	O 
8PCS	1PC	1PC	2PCS	6PCS


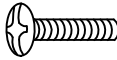
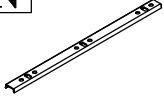
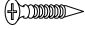


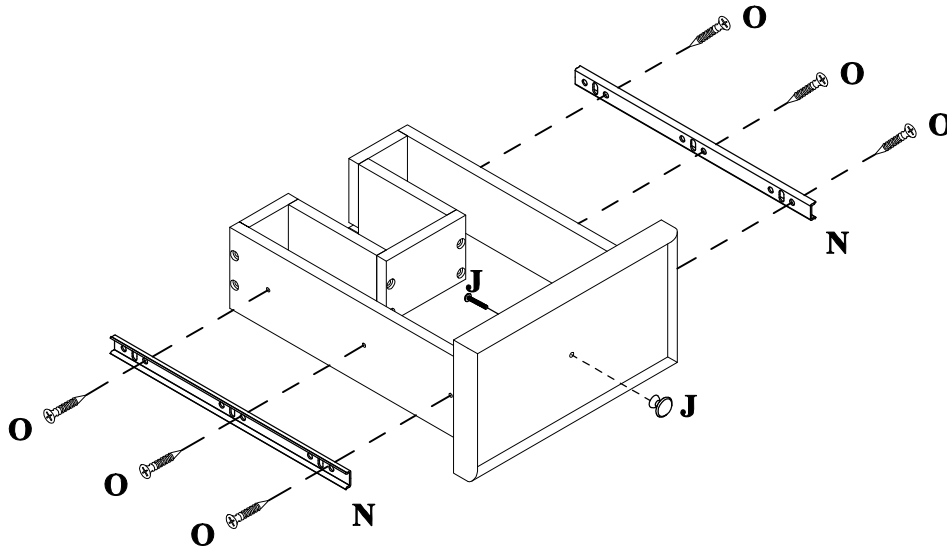
STEP: 11

F 
16PCS



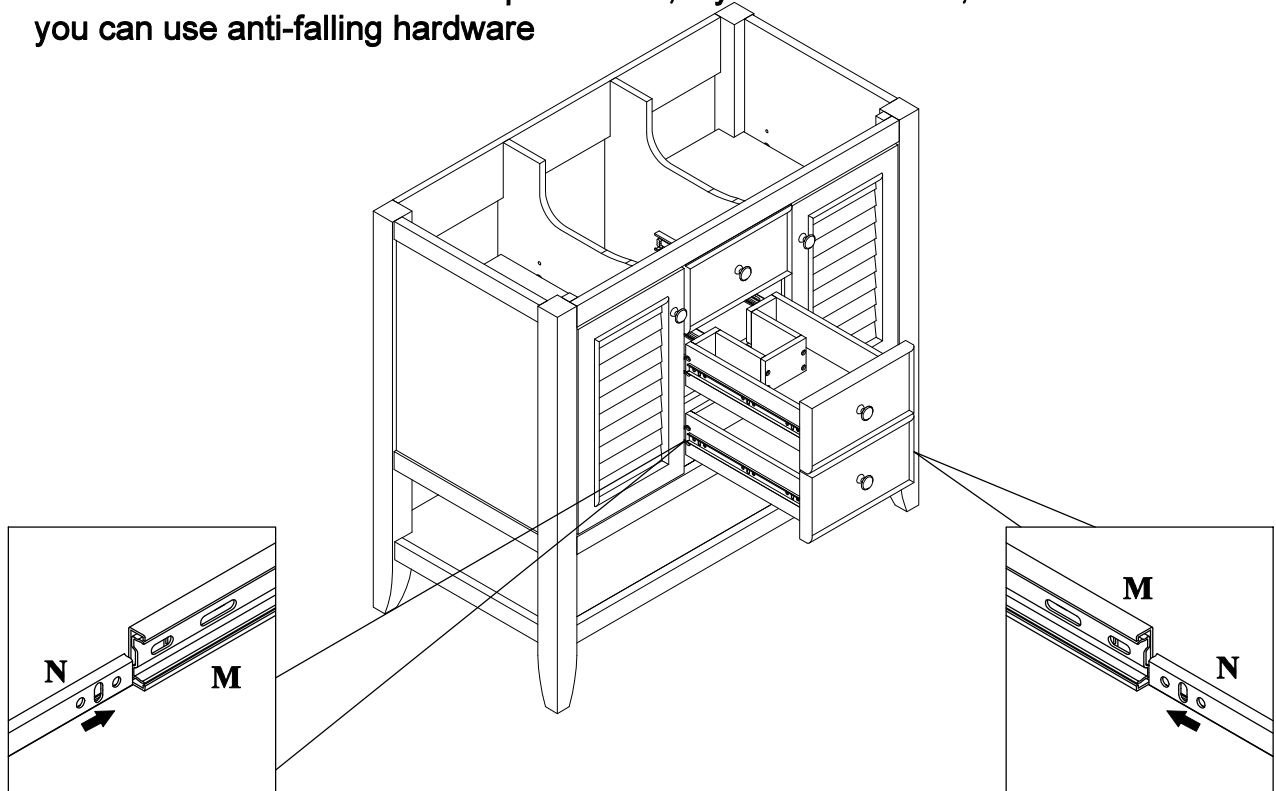
STEP: 12

G		J		N		O	
	1PC		1PC		2PCS		6PCS



STEP: 13

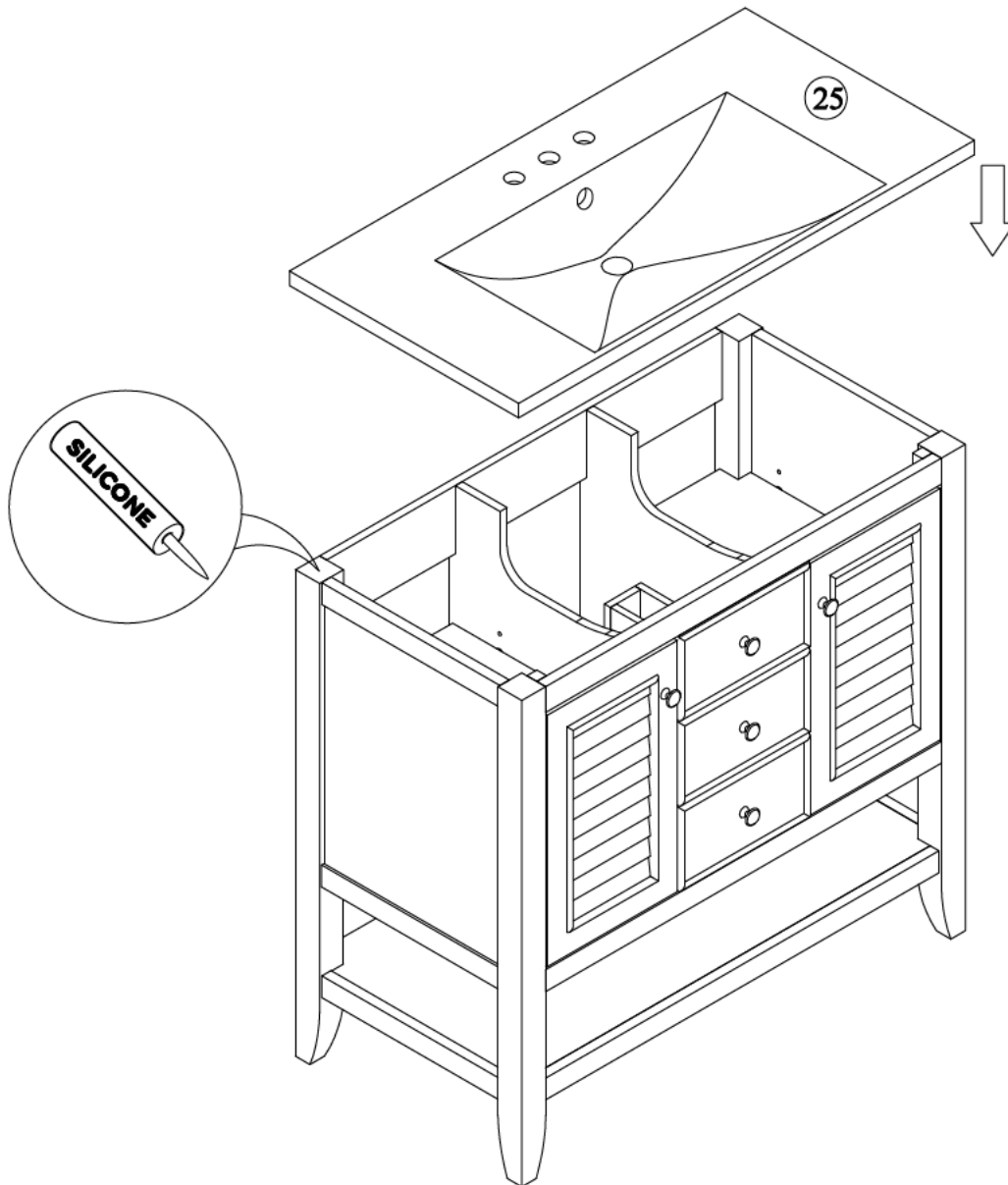
The structure of the cabinet is quite stable, if you are not sure, you can use anti-falling hardware



STEP: 12

Install the sink on the cabinet with glue.

Let stand for 24 hours



STEP: 18

