

veradek ——— outdoor

tambour waste bin instructions



parts and components



When fastening screws or bolts, do not over-tighten or use power tools, as this may damage the product or its components.



screw x2



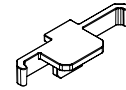
hinge shaft x2



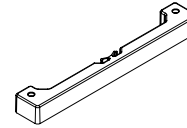
hinge plug x2



label x2



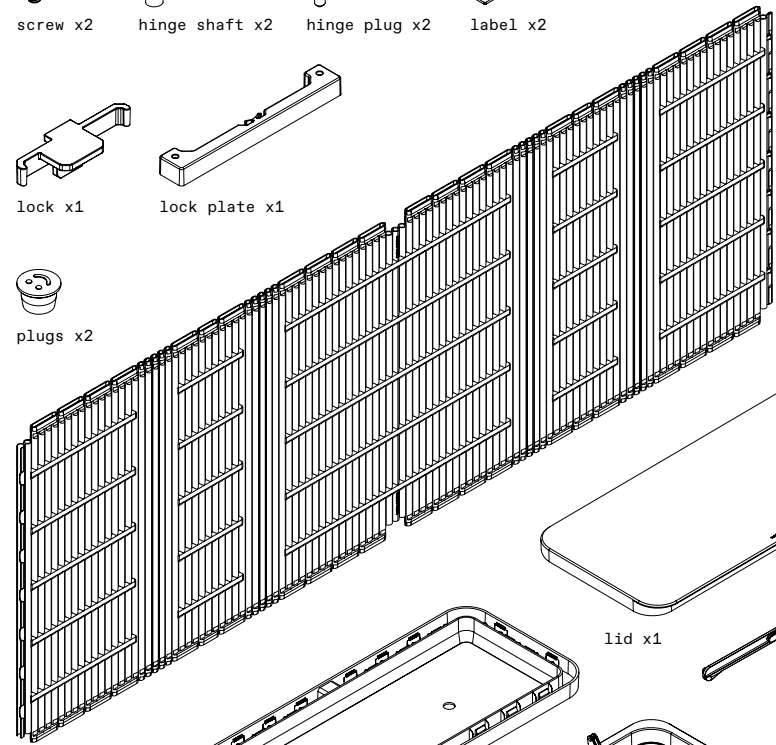
lock x1



lock plate x1



plugs x2



long panel x1

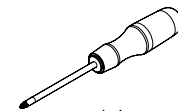
base x1

lid x1

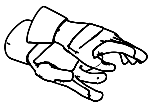
top ring x1

bag ring x2

not included

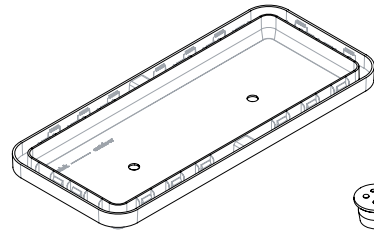


screwdriver



safety gloves

step 1

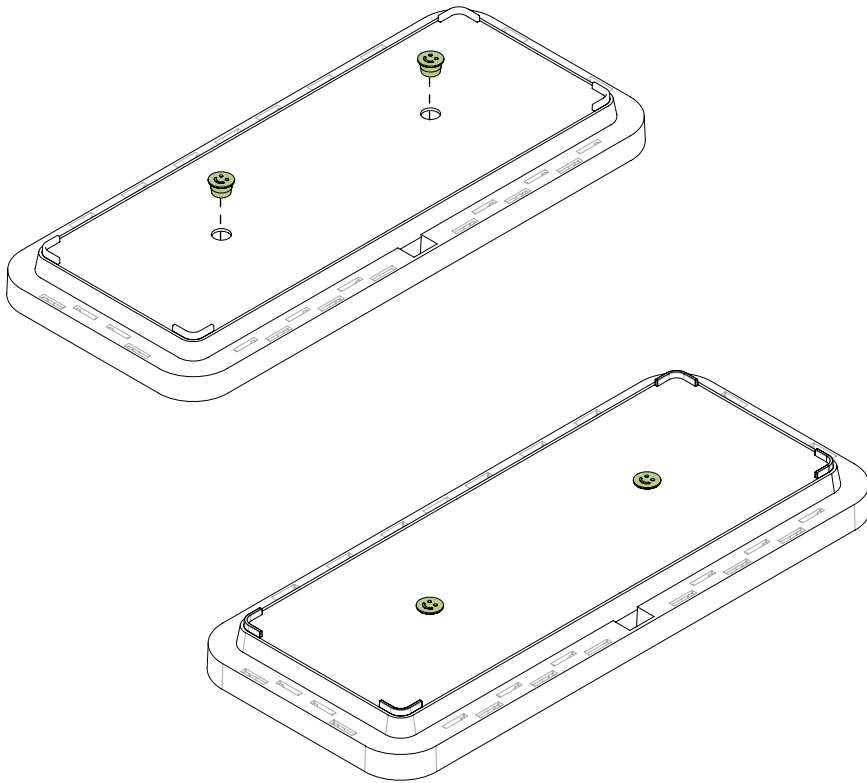


base x1

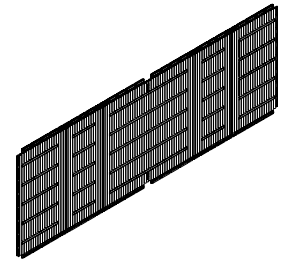


plugs x2

Insert the plugs into the bottom of the base.



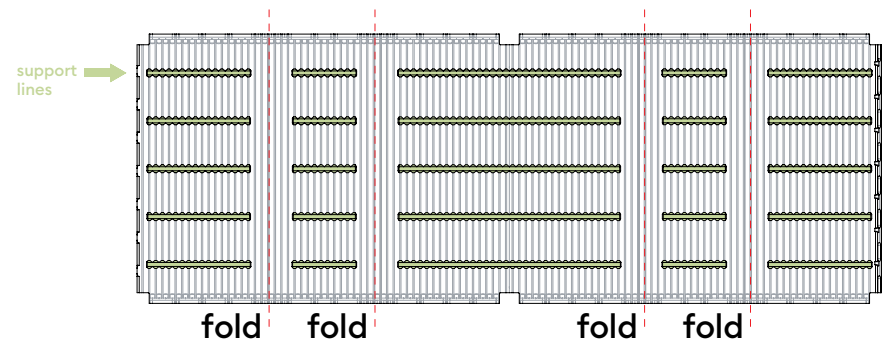
step 2



long panel x1

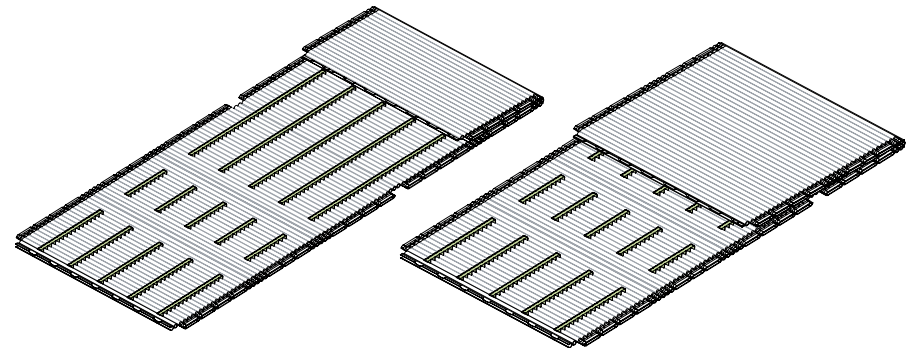
1

Locate the horizontal support lines across the panel. Position the panel so the lines face upward. The sections without lines are the bend points.



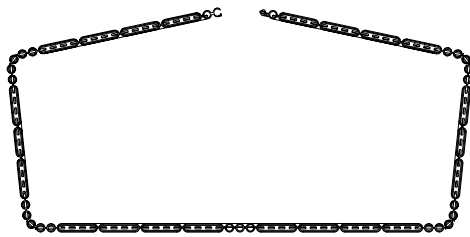
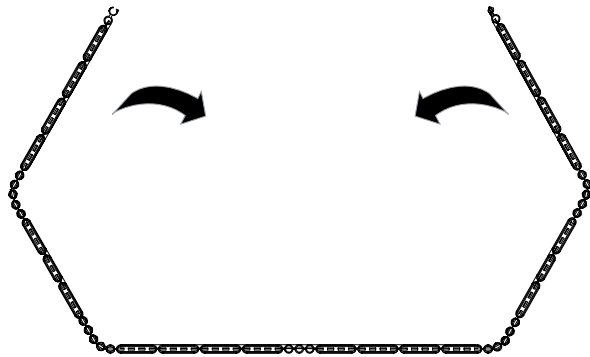
2

Fold the panel at each of the four bend points. Press firmly along each fold so it holds its shape.

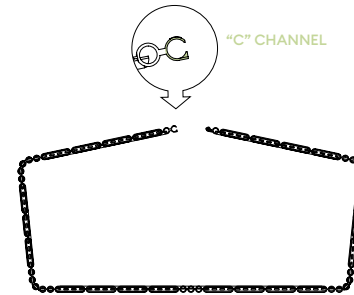


step 3

Fold the panel inward along the creases until it forms a rectangle.



step 4



1

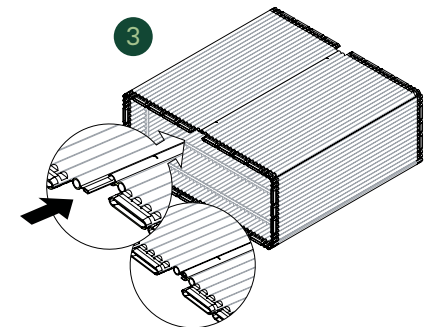
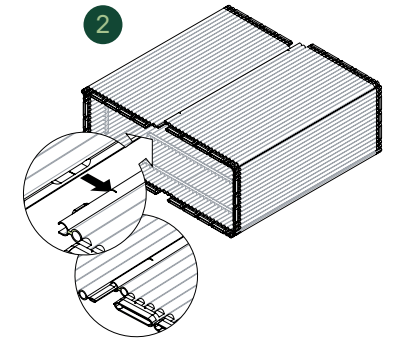
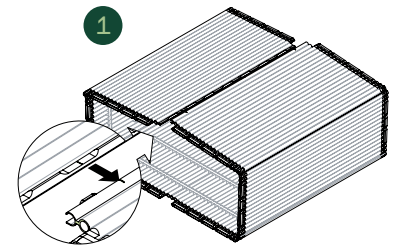
With the panel folded, align the horizontal guide lines on the “C” channel with the matching lines on the opposite end of the long panel.

2

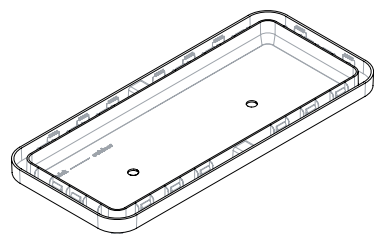
Once aligned, pull the opposite end of the long panel into the “C” channel until it snaps securely into place. Apply firm, even pressure to connect the pieces.

3

When both ends are connected, adjust the sides so they are flush and the panel forms a clean rectangle.

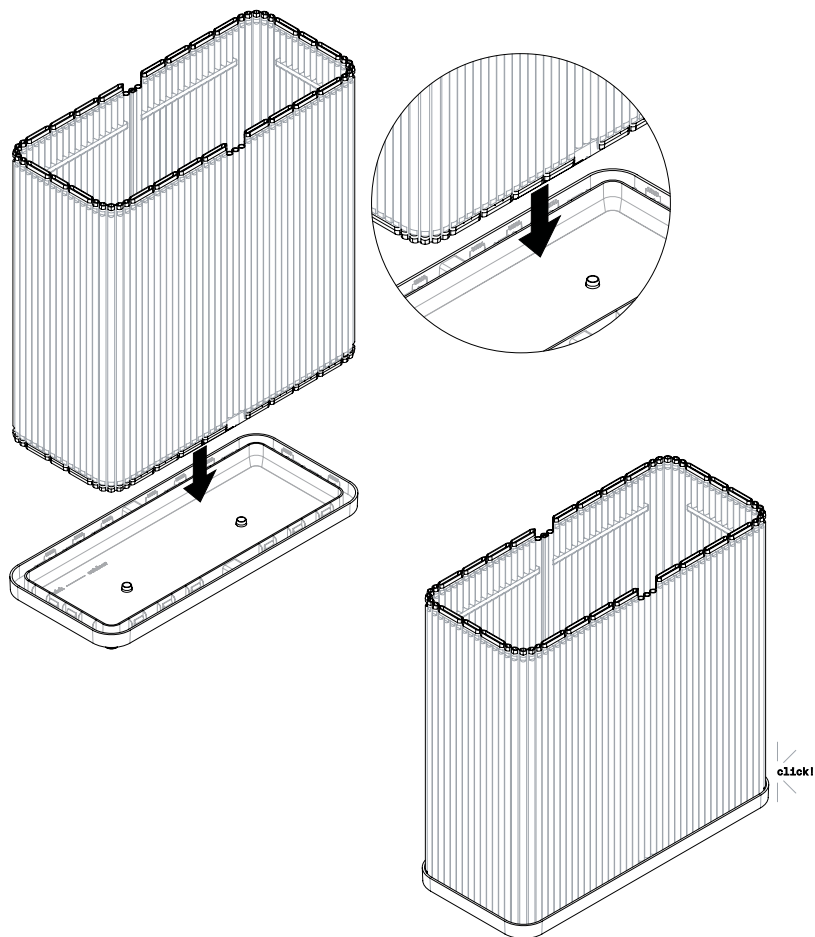


step 5

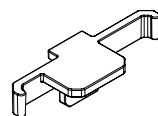


base x1

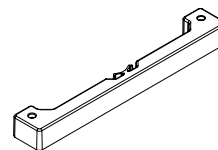
Insert the assembled panel into the base until it clicks into place.



step 6



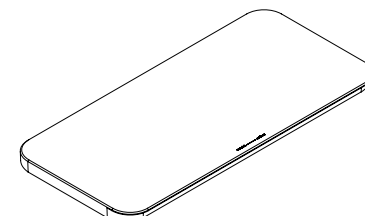
lock x1



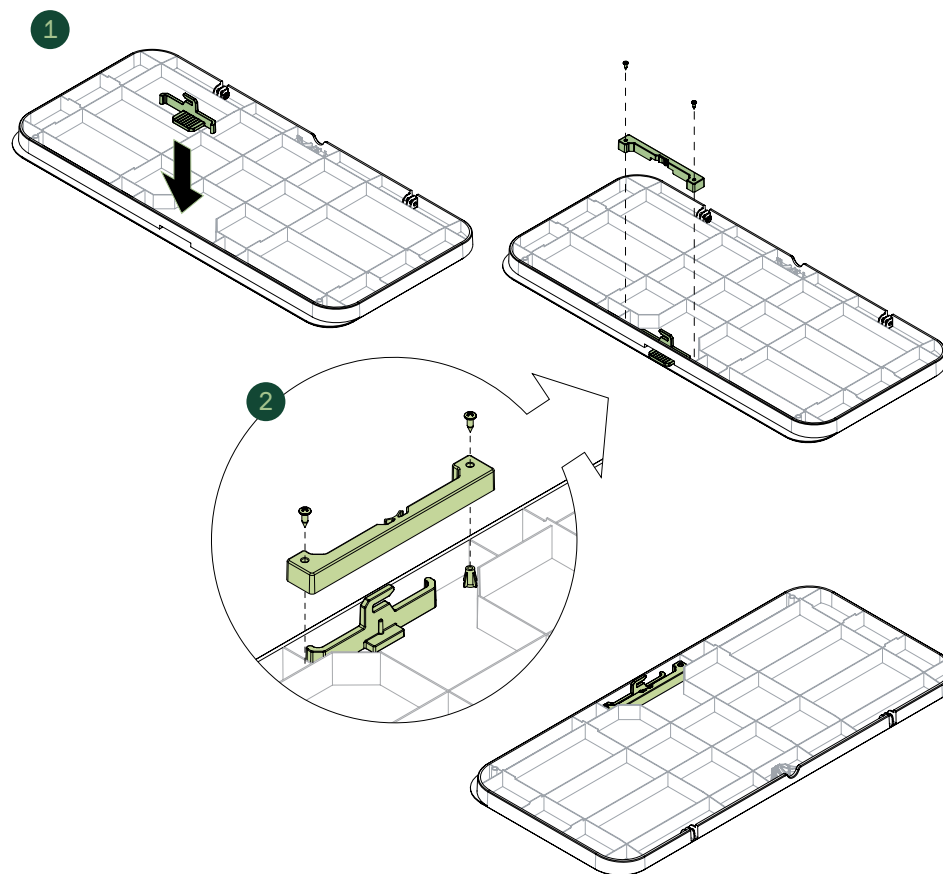
lock plate x1



screw x2



lid x1



- 1 Insert the lock into the lid.
- 2 Align the lock plate with the screw holes, then secure it with the provided screws using a screwdriver.

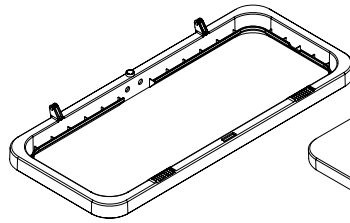
step 7



hinge shaft x2



hinge plug x2

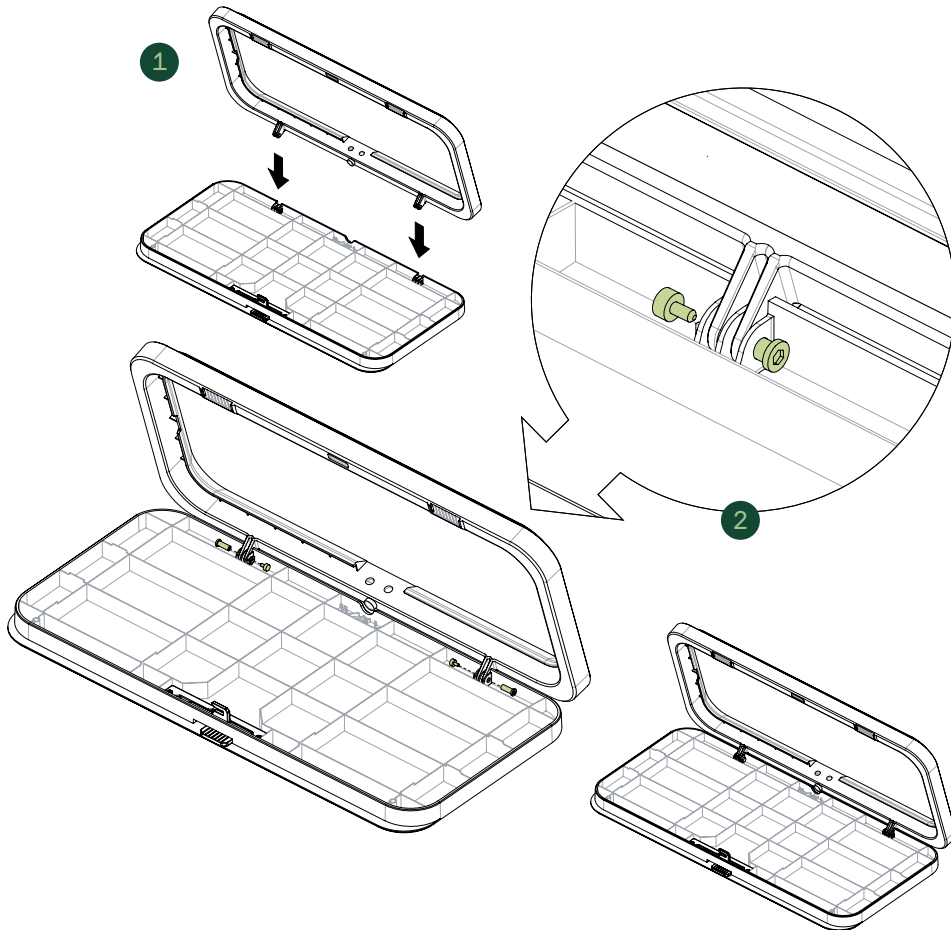


top ring x1



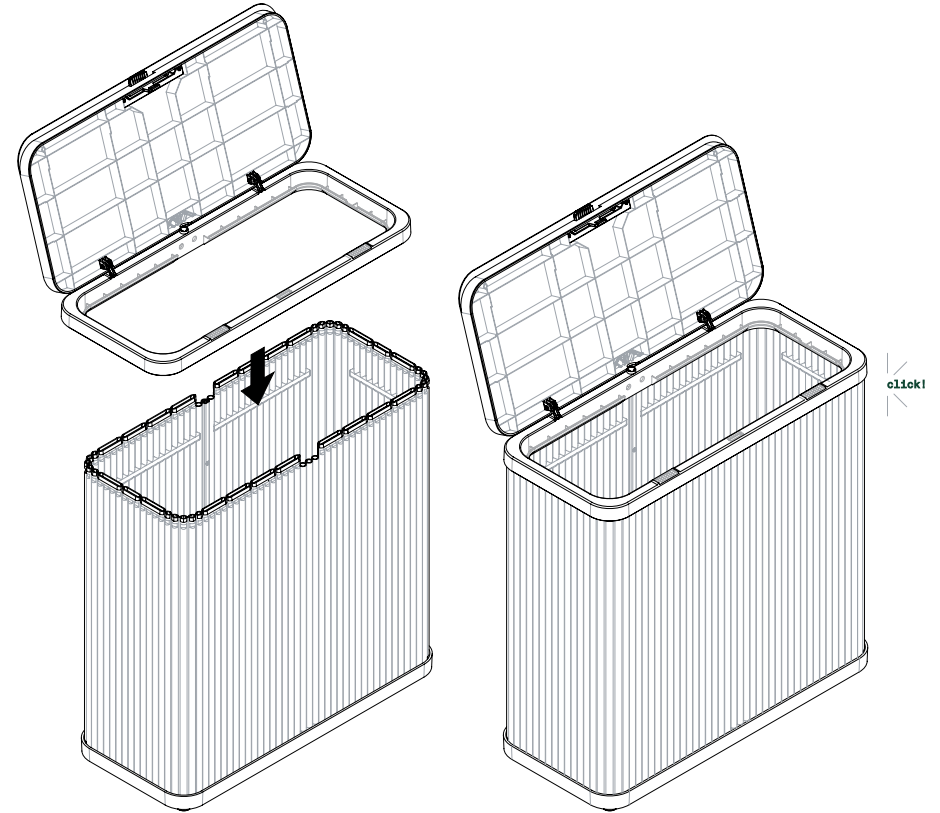
lid x1

step 8



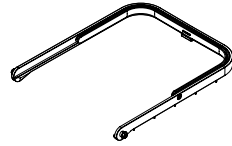
1 Align the top ring and lid so the holes line up.

2 Slide the hinge shaft through to connect them, then insert the hinge plug to lock both pieces together.



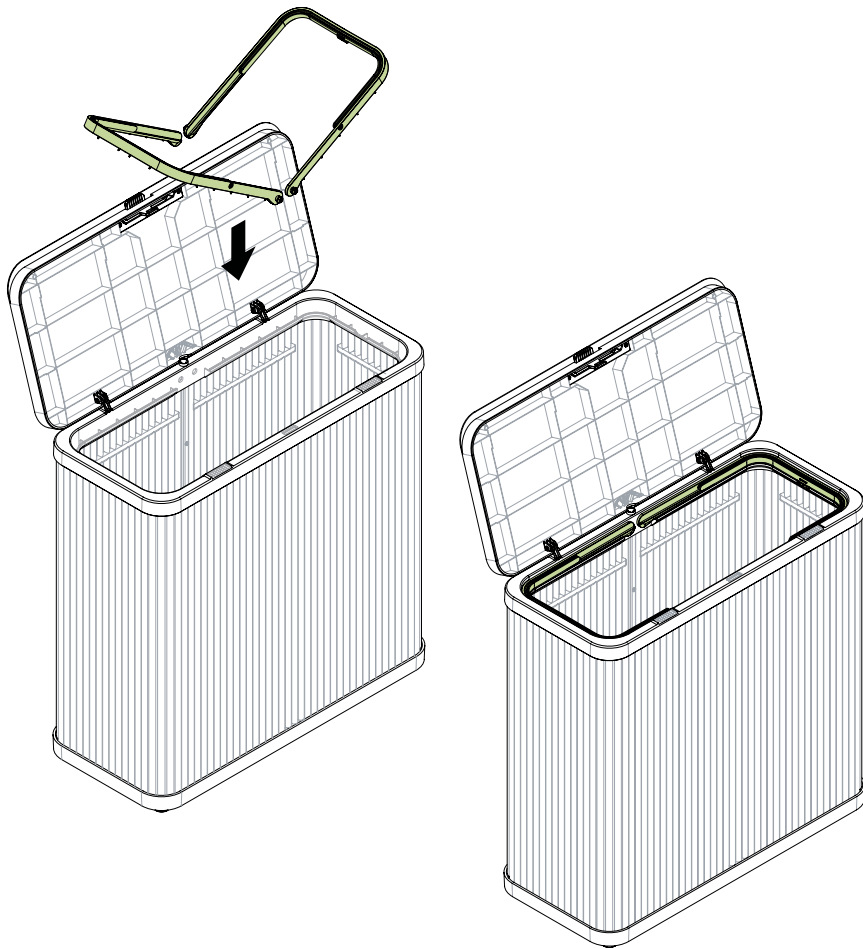
Position the top ring with the lid above the bin, keeping the back of the lid aligned with the seam of the long panel. Starting at one corner, press the ring onto the bin's top edge. Work clockwise, pushing down firmly along each side until the ring is fully installed.

step 9



bag ring x2

Insert the bag rings into the holes inside the ring lid. Ensure the smooth side of each bag ring faces upward. Press firmly until each set snaps securely into place.

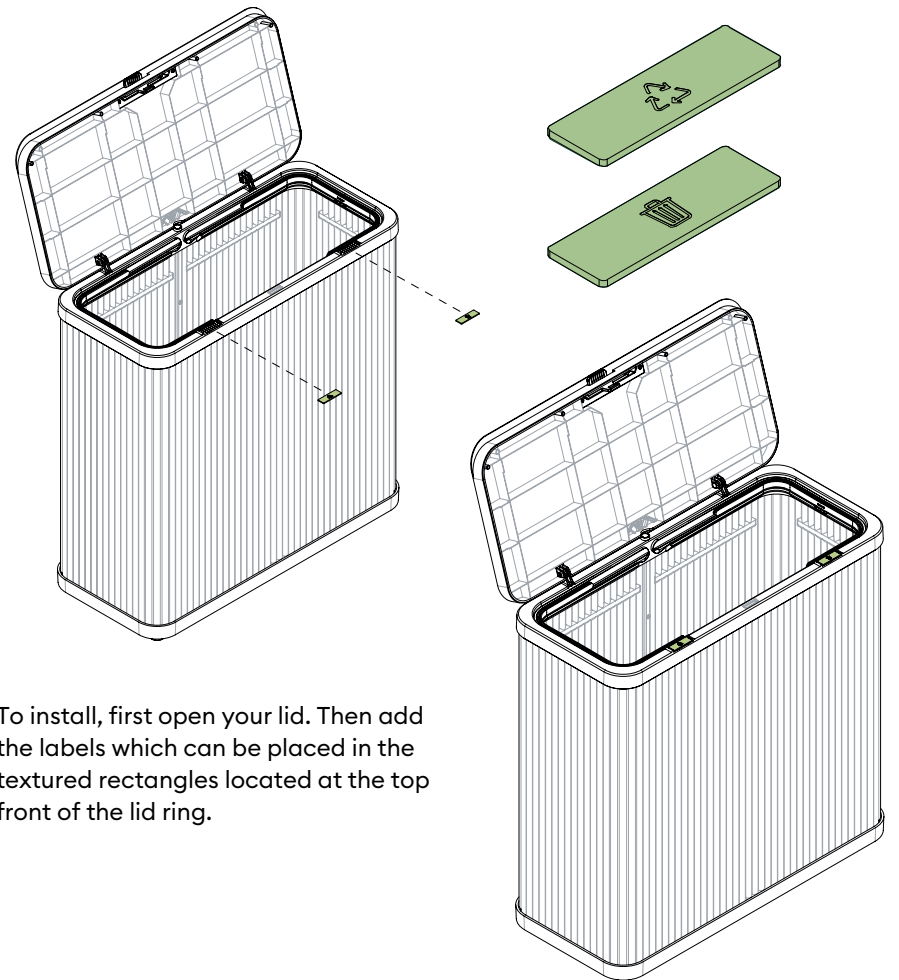


step 10



label x2

If you are looking for a dual waste disposal system, our labels help remind you and your guests which is which.



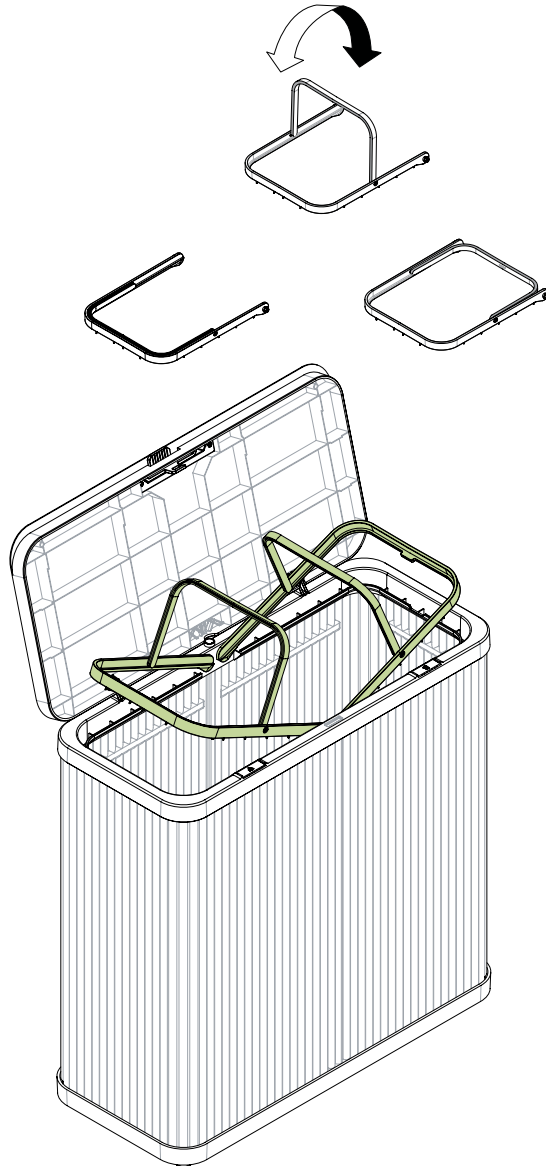
To install, first open your lid. Then add the labels which can be placed in the textured rectangles located at the top front of the lid ring.

how I work: bag rings

Fit-to-your-needs

The dual bag system allows you to separate different types of waste easily. Move the small ring toward the center to create space for two waste bags, or toward the exterior to create space for one larger bag.

Two bags: 30–60L | 8–16 gal
One bag: 90L+ | 30 gal+

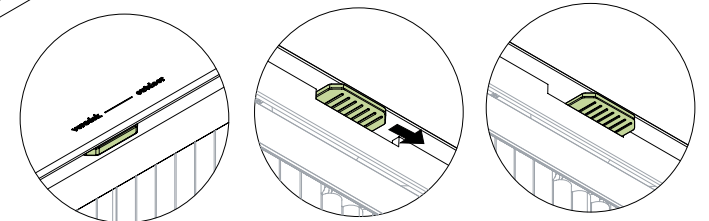
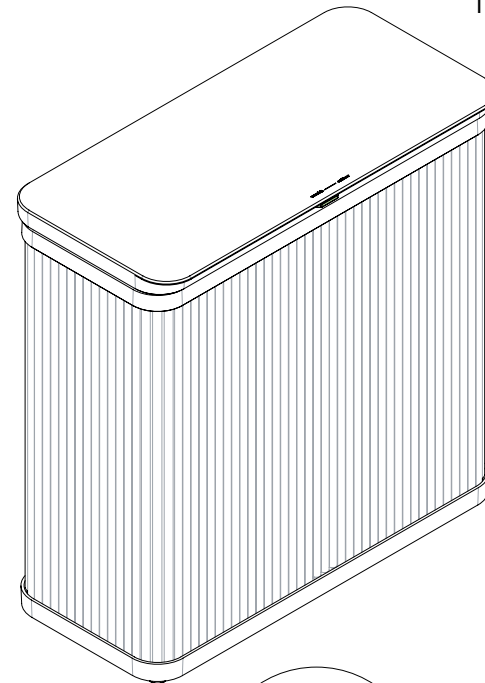


how I work: locking

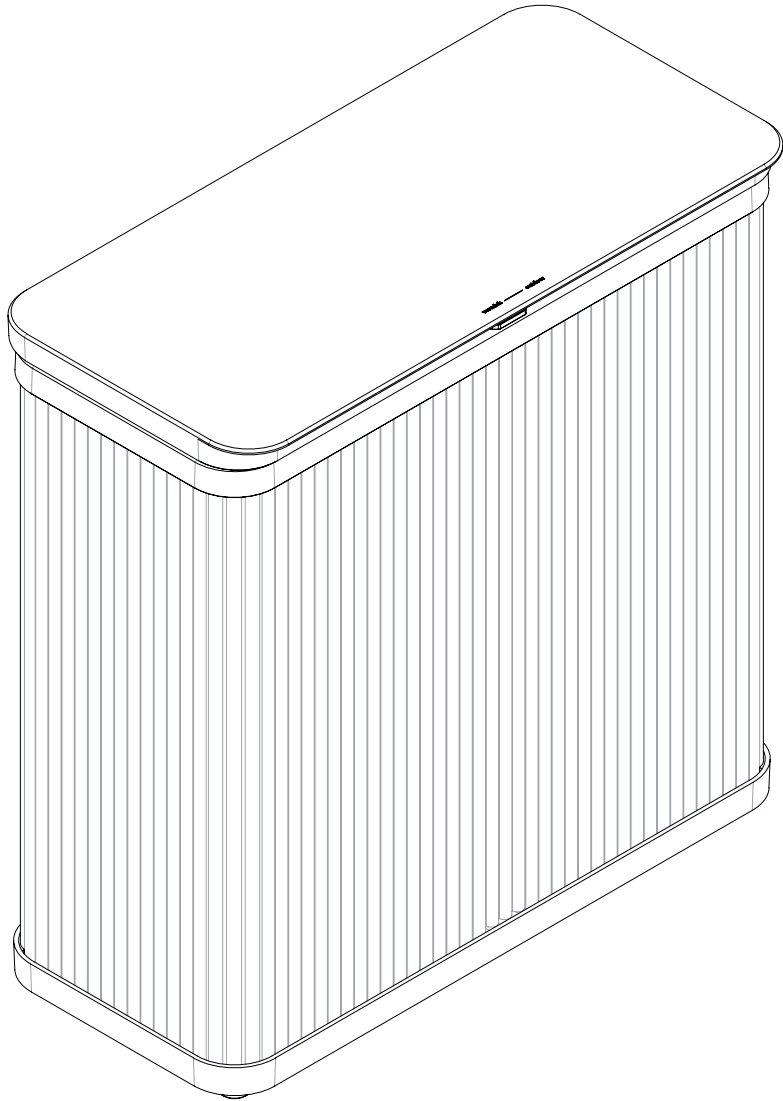
Lock it and leave it

Want to keep unwanted hands away?!
To keep the bin secure, close the lid and push the lock to the right.

To open again, push the lock to the left.



complete





hello, *sunshine!*

Your backyard is calling—
let's get outside and enjoy it!



meet you
outside

veradek ——— outdoor