

RVA1233BWC

SOLID COMPOSITE CUTTING BOARD

RUVATI[®]
SPECIFICATION SHEET

Material: Food-safe Solid Composite
Size: 17-1/4" (length) x 15-3/4" (width) x 3/8" (thick)
Compatible with all LedgeFit Ruvati sinks

CARE INSTRUCTIONS



Cleaning: Hand wash the plastic cutting board with soap and hot water or run it through the dishwasher.



Disinfecting: You can disinfect the board by soaking it for 2 minutes in a solution of two teaspoons of bleach and one gallon of water.



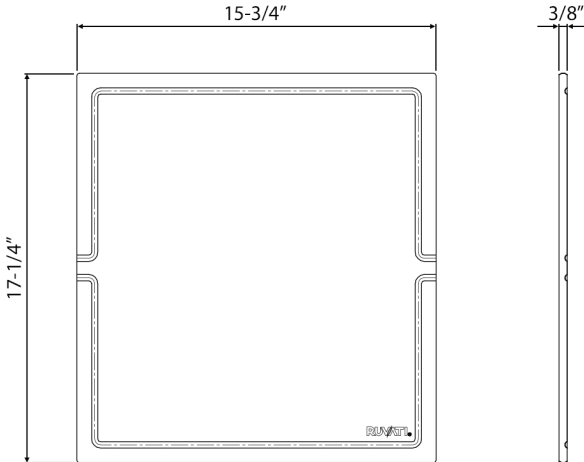
Deodorize: Wet the board and sprinkle it with baking soda. Let it stand for a few minutes then rinse it in water.



Scratches: It is normal for plastic cutting boards to take knife marks. The scratches will be noticeable when the board is new. Over time, they will blend in.



Heat: Do not expose the cutting board to hot surfaces, or put in an oven or microwave. It can cause the board to melt.



 California Prop 65 Warning:
Cancer and Reproductive Harm



X003VUVQSR

RUVATI USA

WWW.RUVATI.COM

SCAN TO REGISTER
YOUR WARRANTY



PHONE: 1.855.478.8284
EMAIL: SUPPORT@RUVATI.COM

www.ruvati.com/register