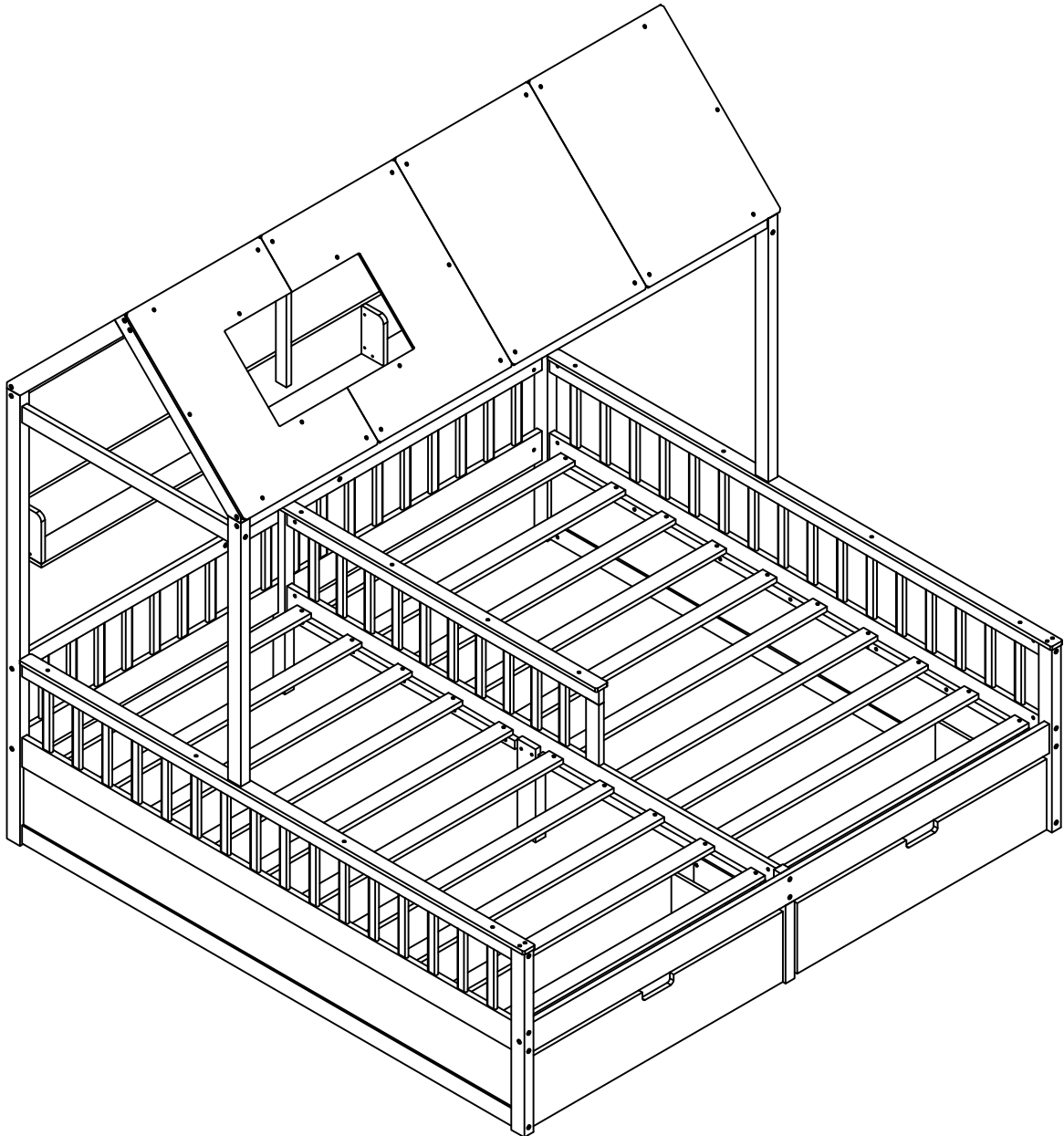


ASSEMBLY INSTRUCTION

SKU CODE : H00012
TWIN SIZE HOUSE PLATFORM BED



Bed Type
Twin Standard

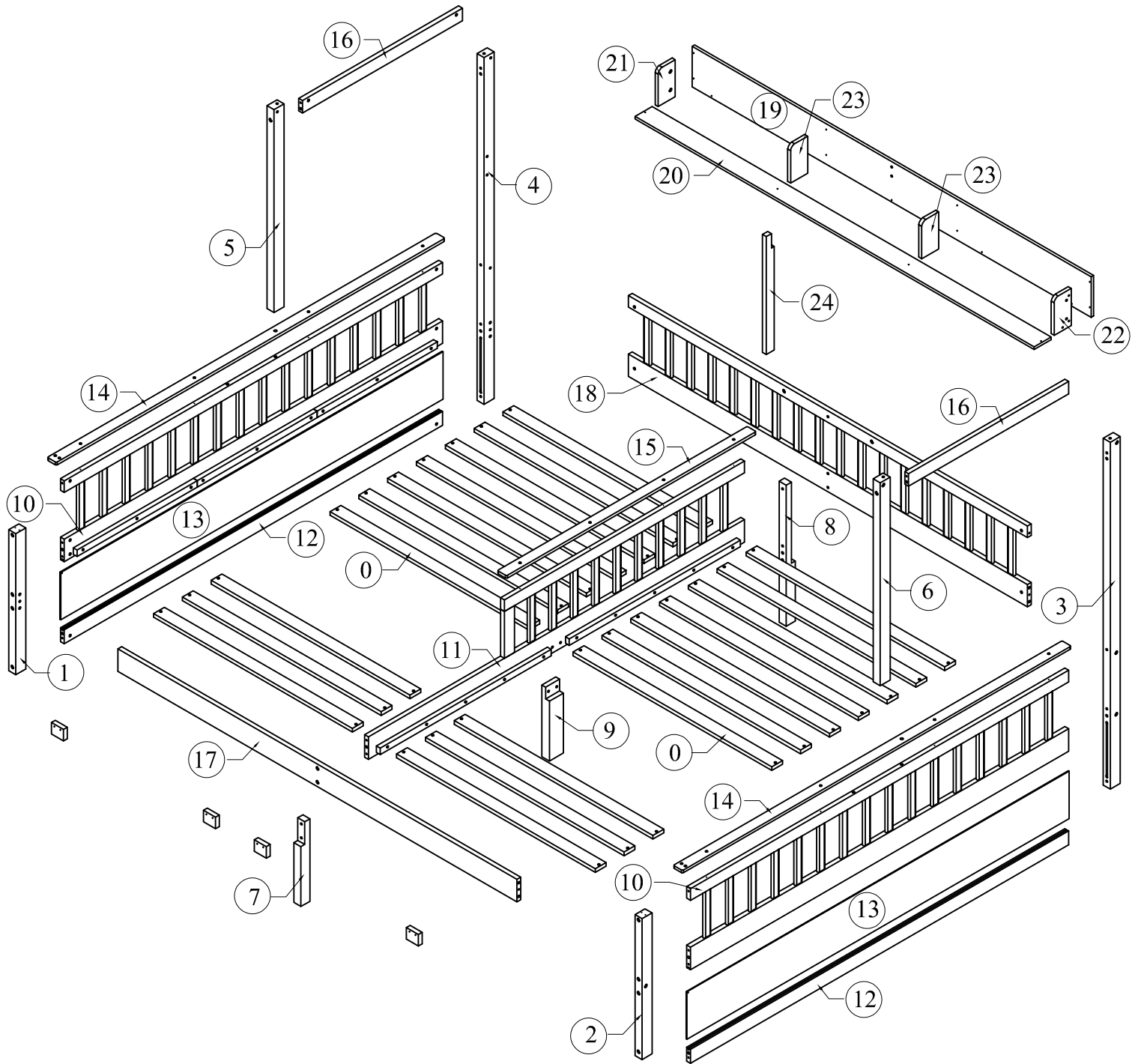
Length
75"

Width
38"

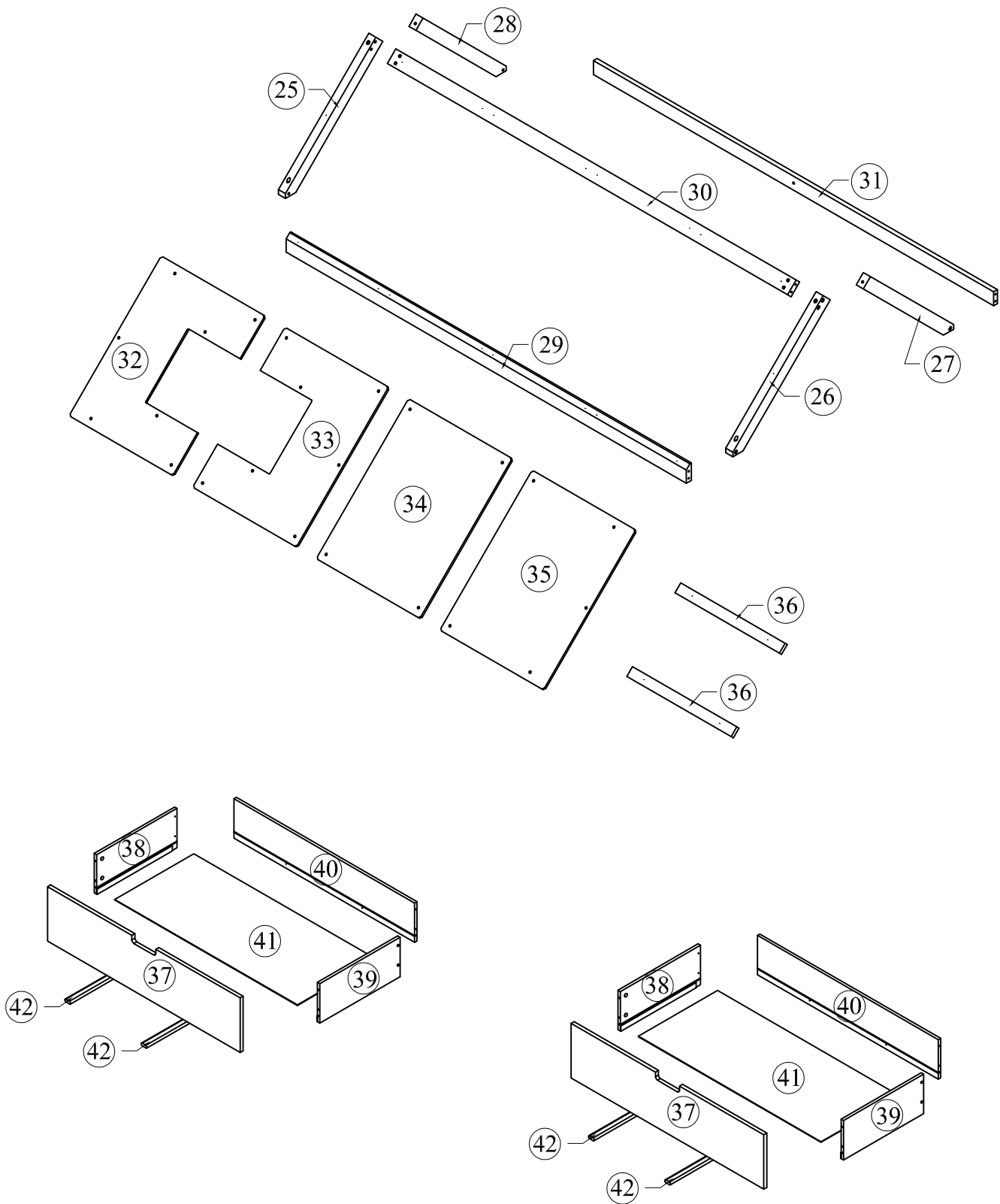
Thickness
6" max

This set is included 3 boxes, if don't receive full 3 boxes please contact our customer service team.

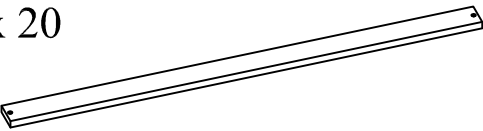



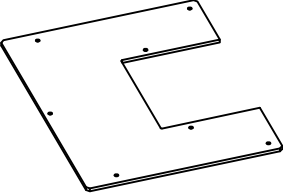
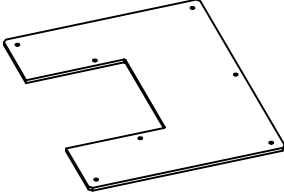
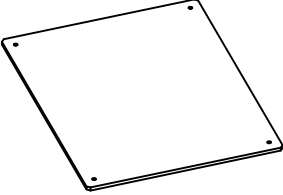
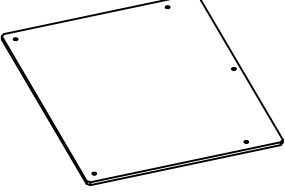
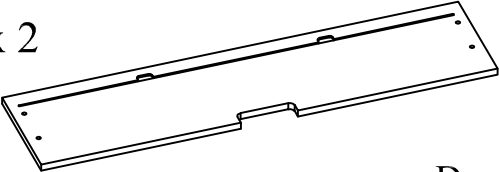
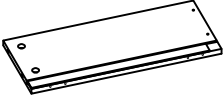

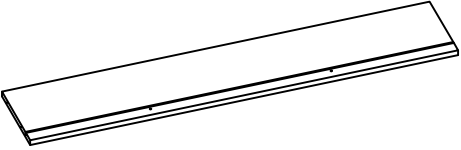
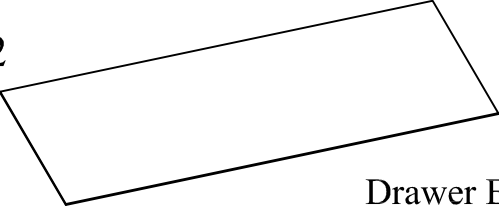

ASSEMBLY INSTRUCTION



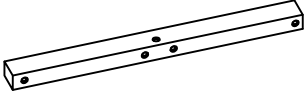
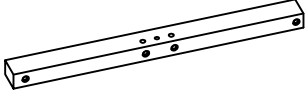
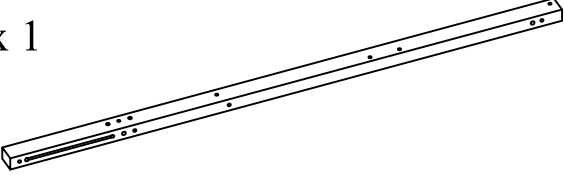
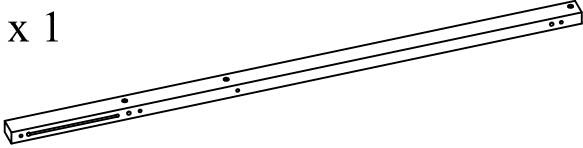
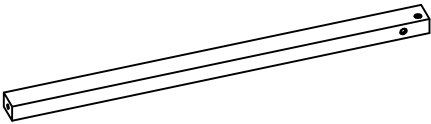
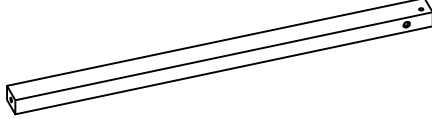

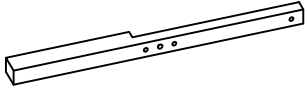

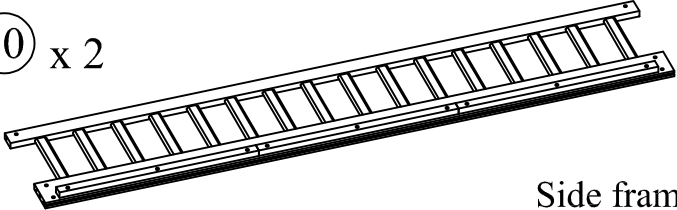
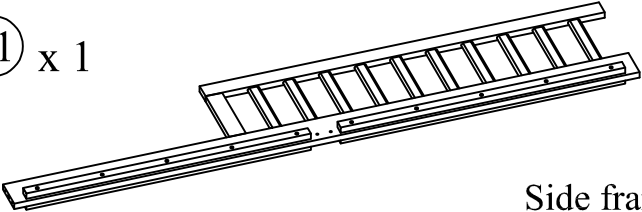
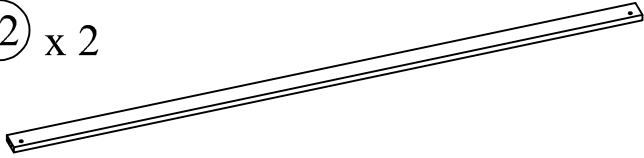
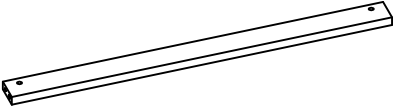

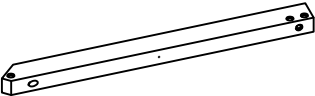
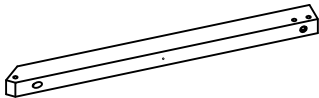
ASSEMBLY INSTRUCTION



Part List & Hardware List (Box 1 - H00012-1)

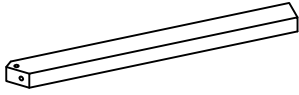
<p>① x 20</p>  <p>Slats</p>	<p>②① x 1</p>  <p>Side Panel</p>
<p>②② x 1</p>  <p>Side Panel</p>	<p>②③ x 2</p>  <p>Divider Panel</p>
<p>③② x 1</p>  <p>Panel</p>	<p>③③ x 1</p>  <p>Panel</p>
<p>③④ x 1</p>  <p>Panel</p>	<p>③⑤ x 1</p>  <p>Panel</p>
<p>③⑦ x 2</p>  <p>Drawer front</p>	<p>③⑧ x 2</p>  <p>Drawer side</p>
<p>③⑨ x 2</p>  <p>Drawer side</p>	<p>④① x 2</p>  <p>Drawer back</p>
<p>④① x 2</p>  <p>Drawer Bottom</p>	<p>④② x 4</p>  <p>Bottom support rail</p>

Part List (Box 2 - H00012-2)

<p>① x 1</p>  <p style="text-align: right;">Leg</p>	<p>② x 1</p>  <p style="text-align: right;">Leg</p>
<p>③ x 1</p>  <p style="text-align: right;">Leg</p>	<p>④ x 1</p>  <p style="text-align: right;">Leg</p>
<p>⑤ x 1</p>  <p style="text-align: right;">Vertical post</p>	<p>⑥ x 1</p>  <p style="text-align: right;">Vertical post</p>
<p>⑦ x 1</p>  <p style="text-align: right;">Vertical support</p>	<p>⑧ x 1</p>  <p style="text-align: right;">Vertical support</p>
<p>⑨ x 1</p>  <p style="text-align: right;">Vertical support</p>	<p>⑩ x 2</p>  <p style="text-align: right;">Side frame</p>
<p>⑪ x 1</p>  <p style="text-align: right;">Side frame</p>	<p>⑫ x 2</p>  <p style="text-align: right;">Crossbar</p>
<p>⑬ x 2</p>  <p style="text-align: right;">Crossbar</p>	<p>⑭ x 1</p>  <p style="text-align: right;">Vertical post</p>
<p>⑮ x 1</p>  <p style="text-align: right;">Roof rafter</p>	<p>⑯ x 1</p>  <p style="text-align: right;">Roof rafter</p>

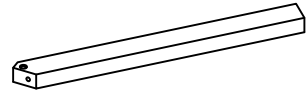
Part List (Box 2 - H00012-2)

27 x 1



Roof rafter

28 x 1



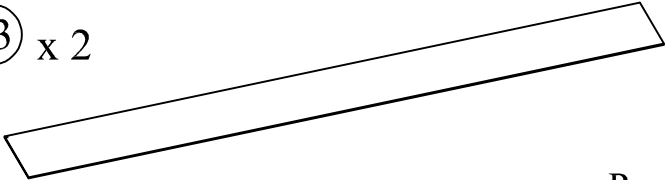
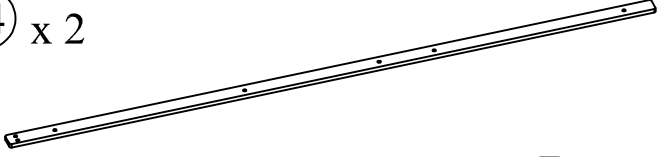
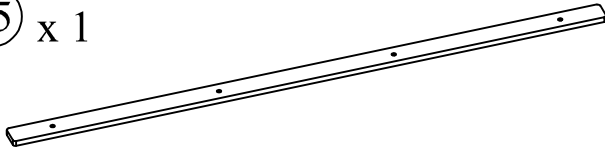
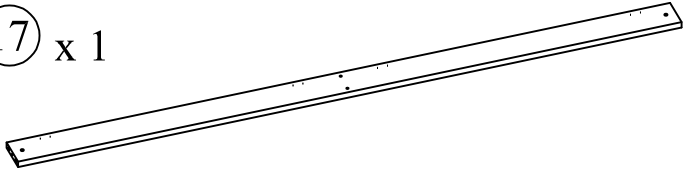
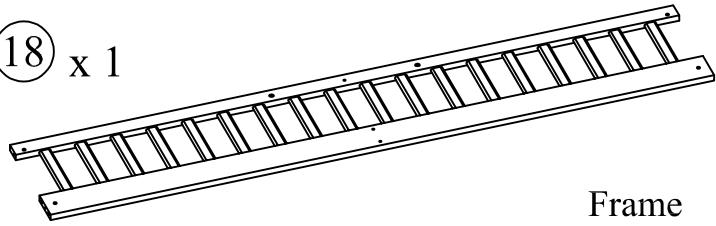
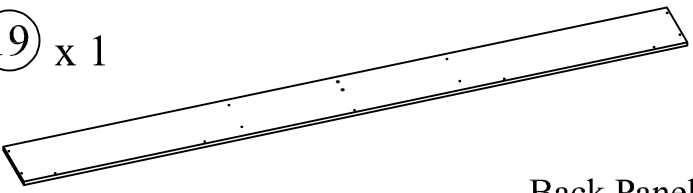
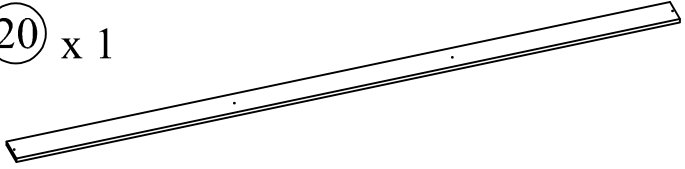
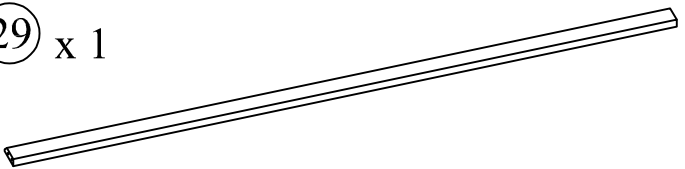
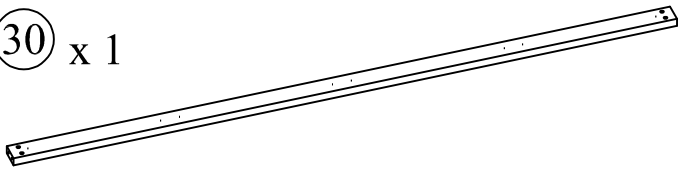
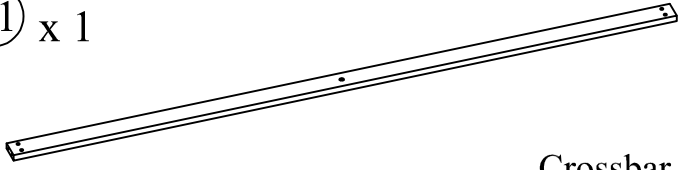
Roof rafter

36 x 2

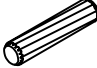














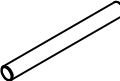



Panel

Part List (Box 3 - H00012-3)

<p>⑬ x 2</p>  <p>Panel</p>	<p>⑭ x 2</p>  <p>Top cap</p>
<p>⑮ x 1</p>  <p>Top cap</p>	<p>⑰ x 1</p>  <p>Crossbar</p>
<p>⑱ x 1</p>  <p>Frame</p>	<p>⑲ x 1</p>  <p>Back Panel</p>
<p>⑳ x 1</p>  <p>Bottom Panel</p>	<p>㉑ x 1</p>  <p>Crossbar</p>
<p>㉓ x 1</p>  <p>Crossbar</p>	<p>㉔ x 1</p>  <p>Crossbar</p>


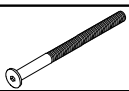

Hardware List (Box 1 - H00012-1)

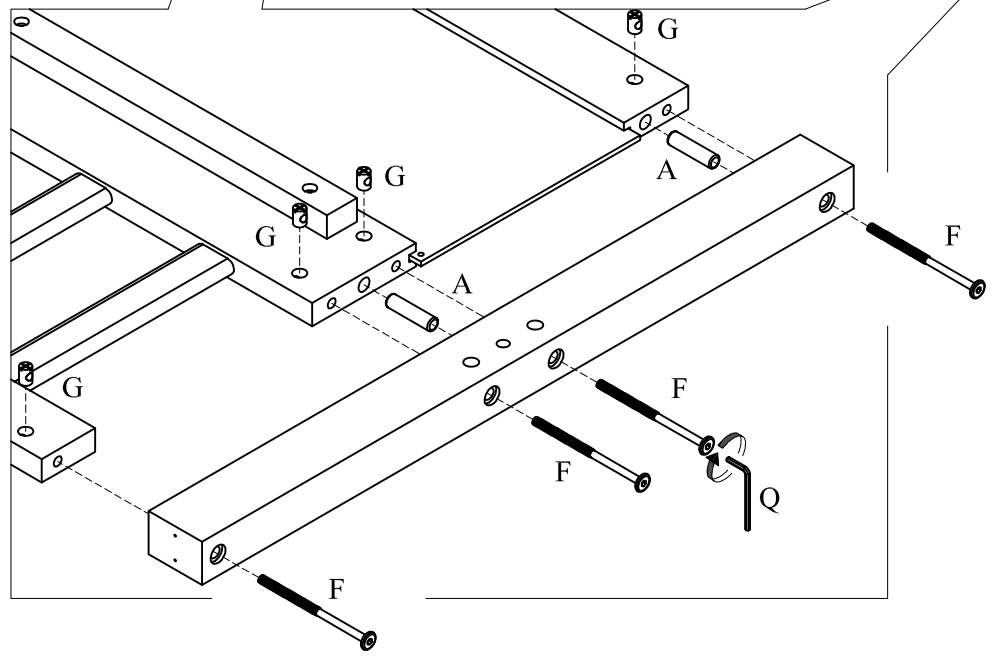
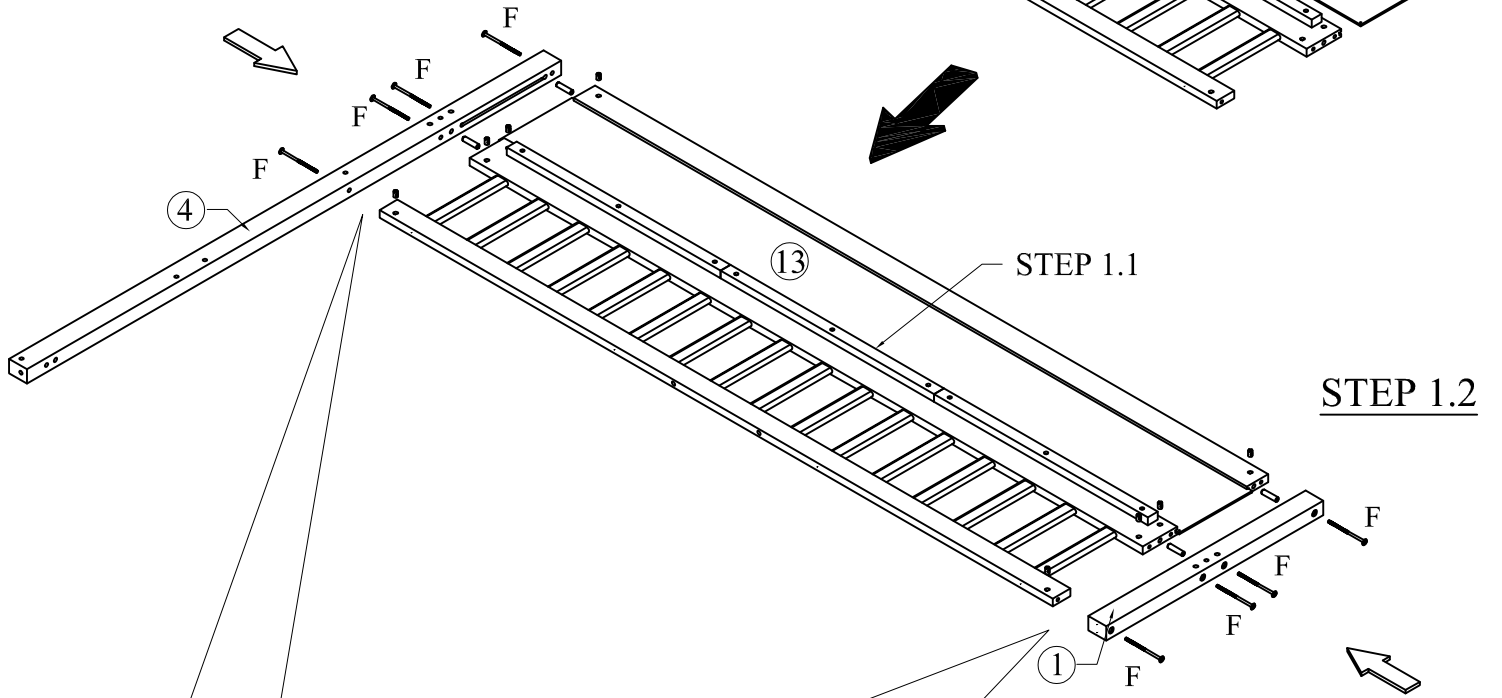
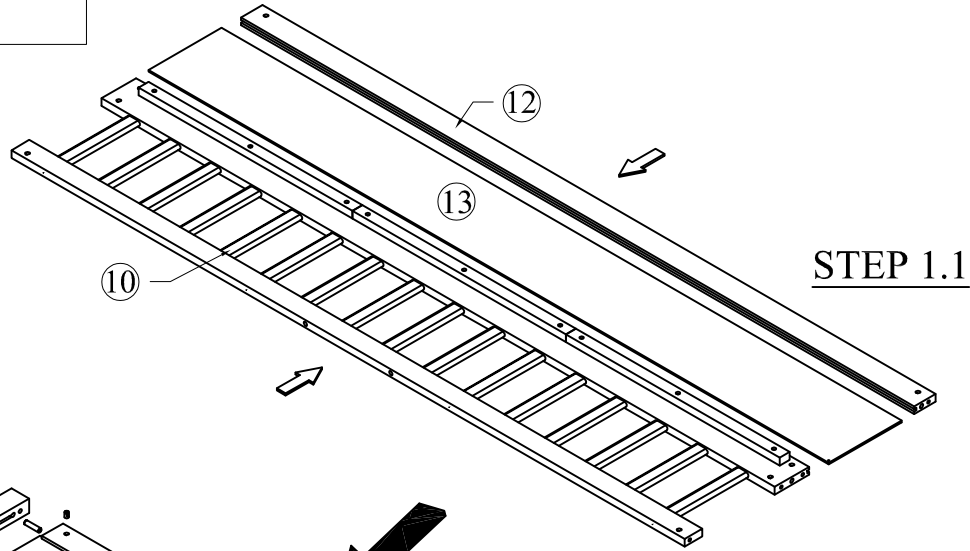
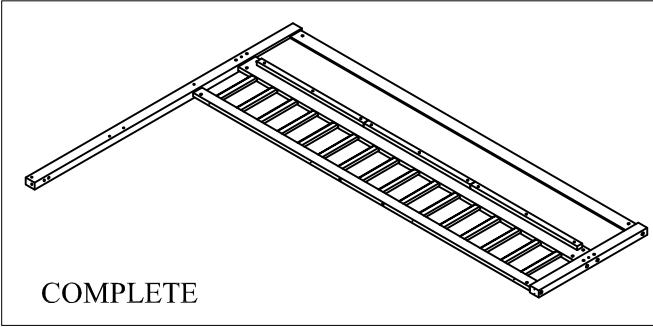
No.	OUTLOOK	DESC	QTY
(A)		Dowel Ø10*40mm	22
(B)		Bolts 1/4"*30mm	07
(C)		Bolts 1/4"*35mm	02
(D)		Bolts 1/4"*70mm	06
(E)		Bolts 1/4"*80mm	23
(F)		Bolts 1/4"*100mm	20
(G)		Cross dowel 1/4"*13mm	43
(H)		Screws #6*12mm	40
(I)		Screws #8*20mm	22
(J)		Screws #8*25mm	16
(K)		Screws #8*30mm	77
(L)		Connecting Bolt	08
(M)		Base L	04
(N)		Wheels	08
(O)		Wood Stop	04
(P)		Metal Dowel Ø10*100mm	02
(Q)		Allen key 60*22*4mm	01

ASSEMBLY TOOLS REQUIRED (NOT INCLUDED)


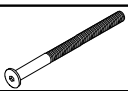



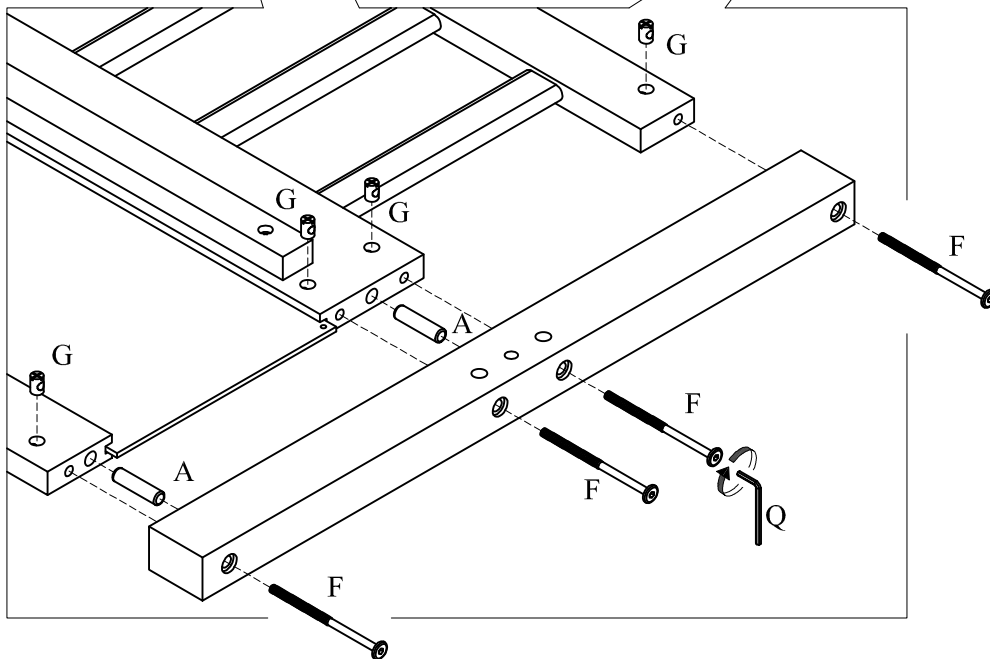
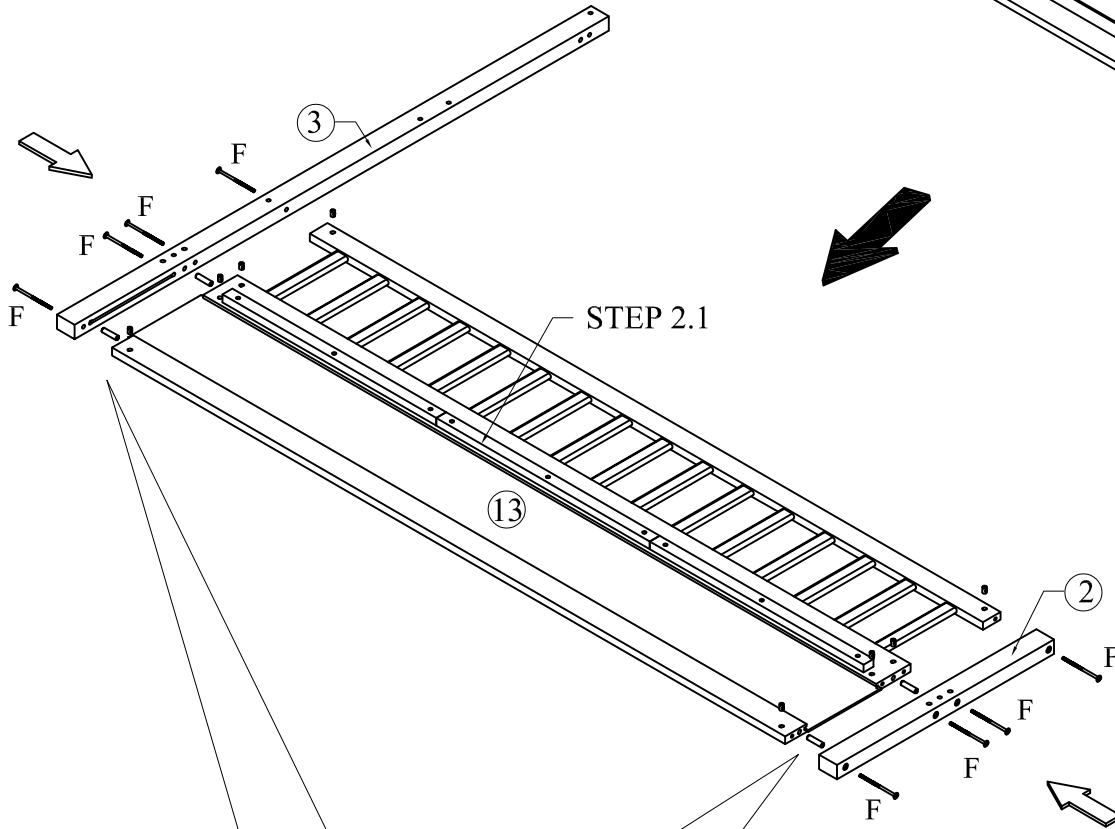
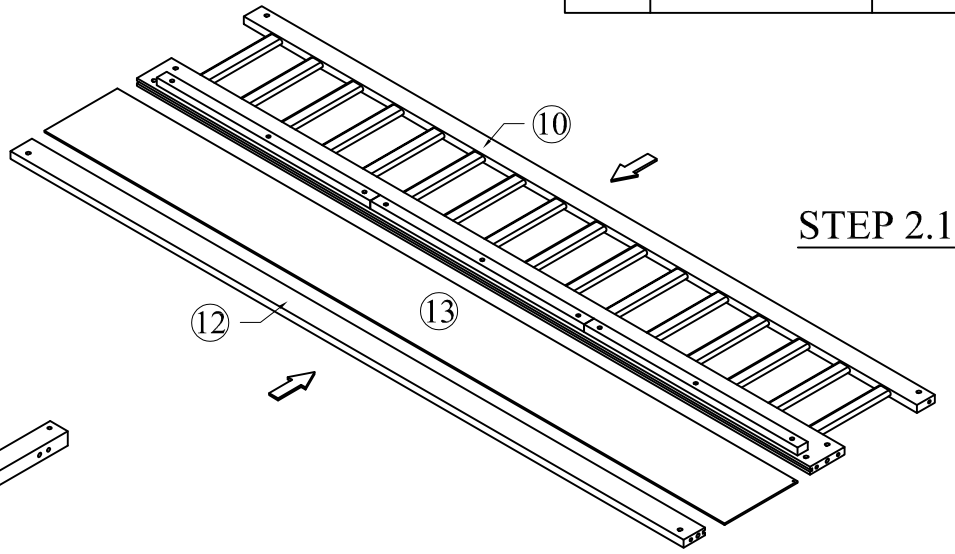
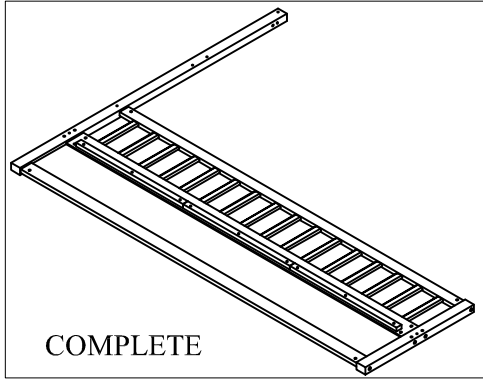
STEP 1

(A)		04
(F)		08
(G)		08






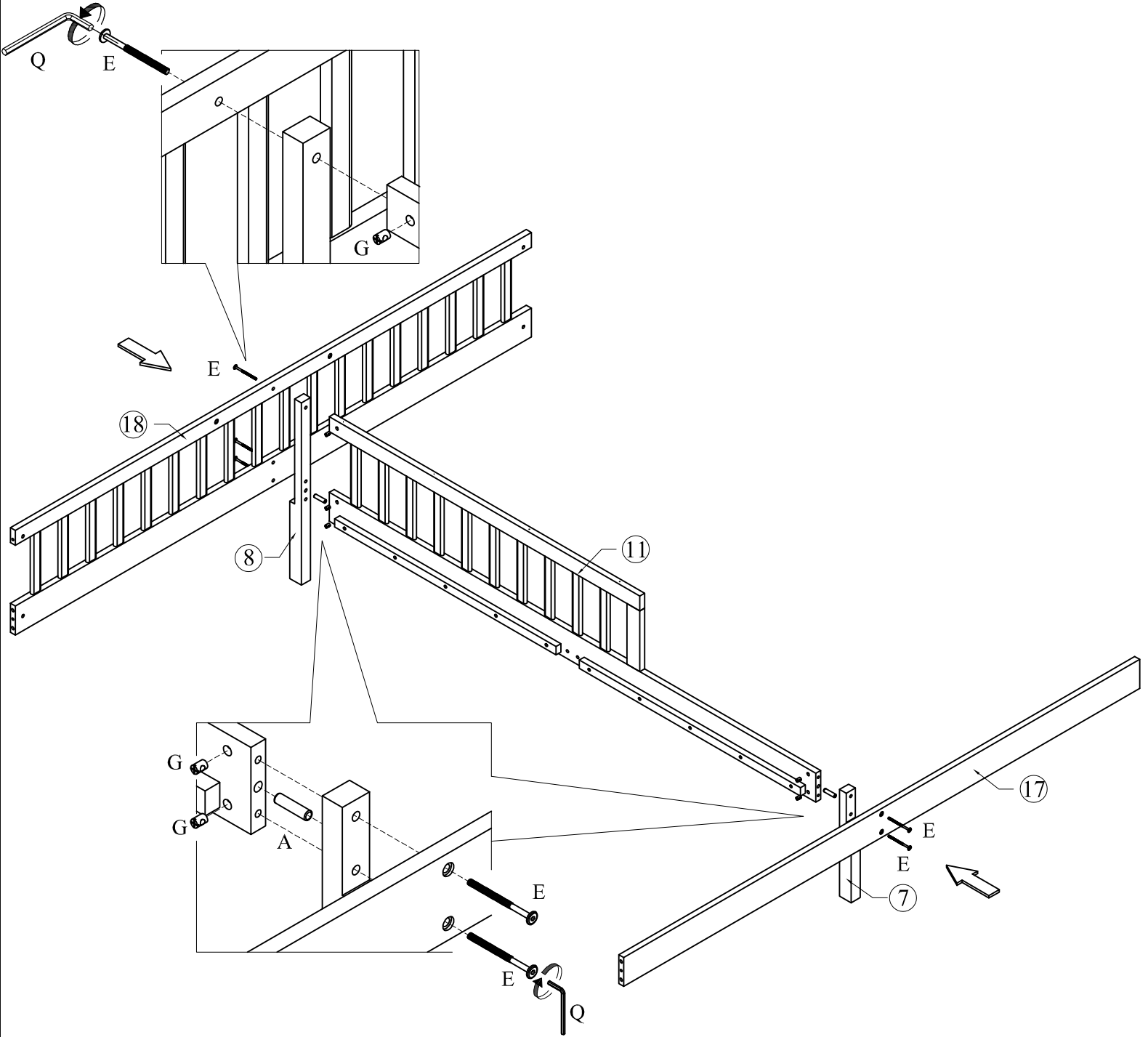
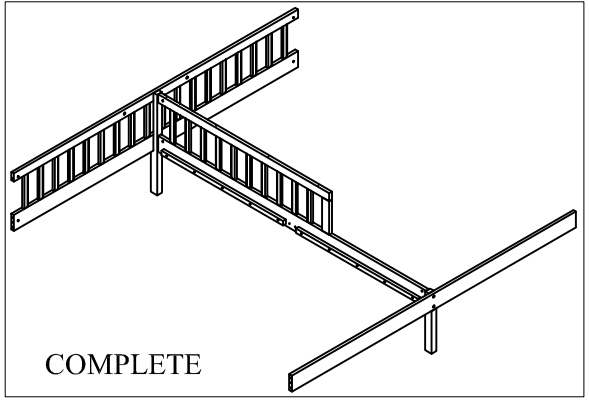
STEP 2

(A)		04
(F)		08
(G)		08






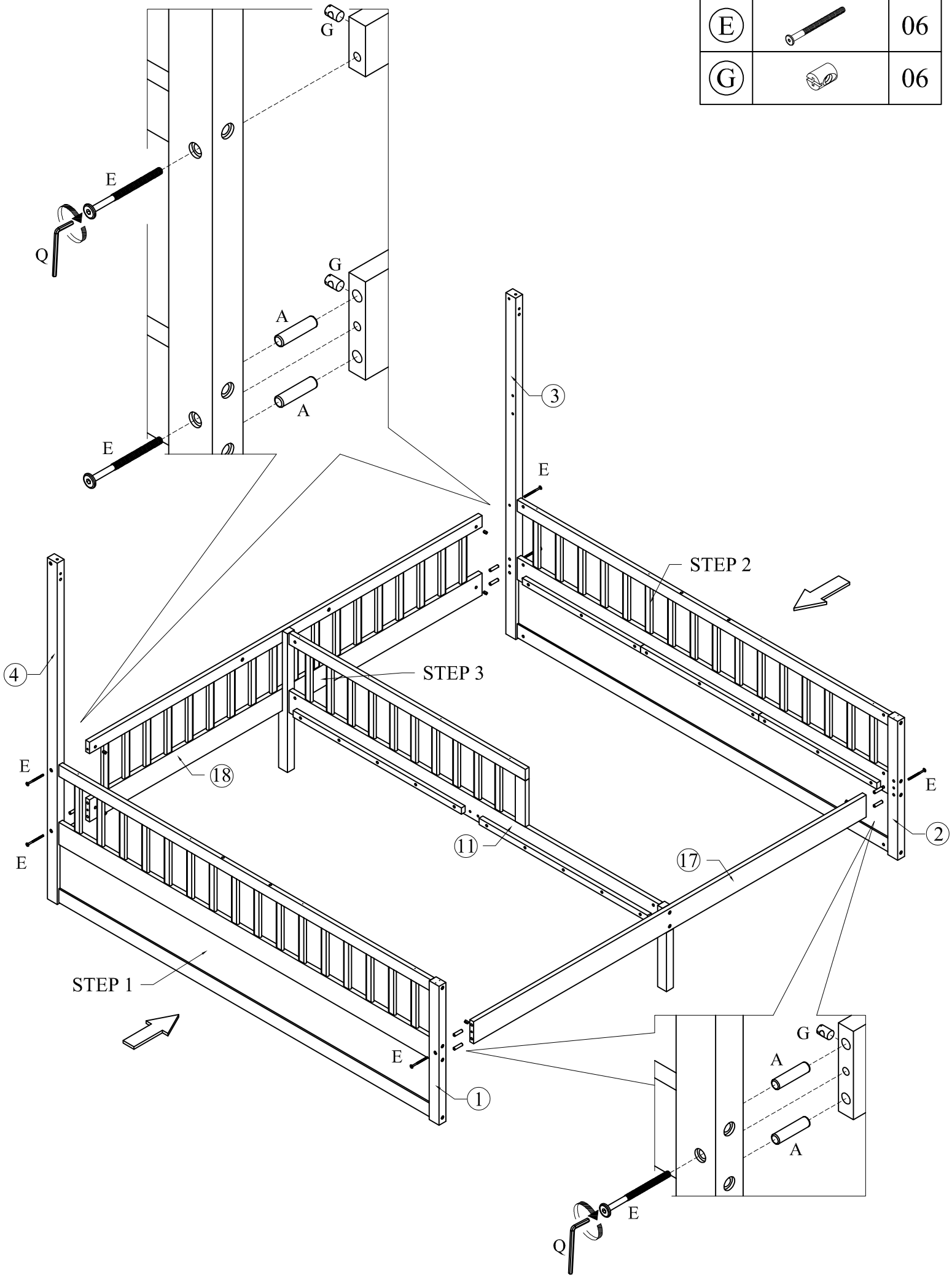
STEP 3

(A)		02
(E)		05
(G)		05



STEP 4

(A)		08
(E)		06
(G)		06

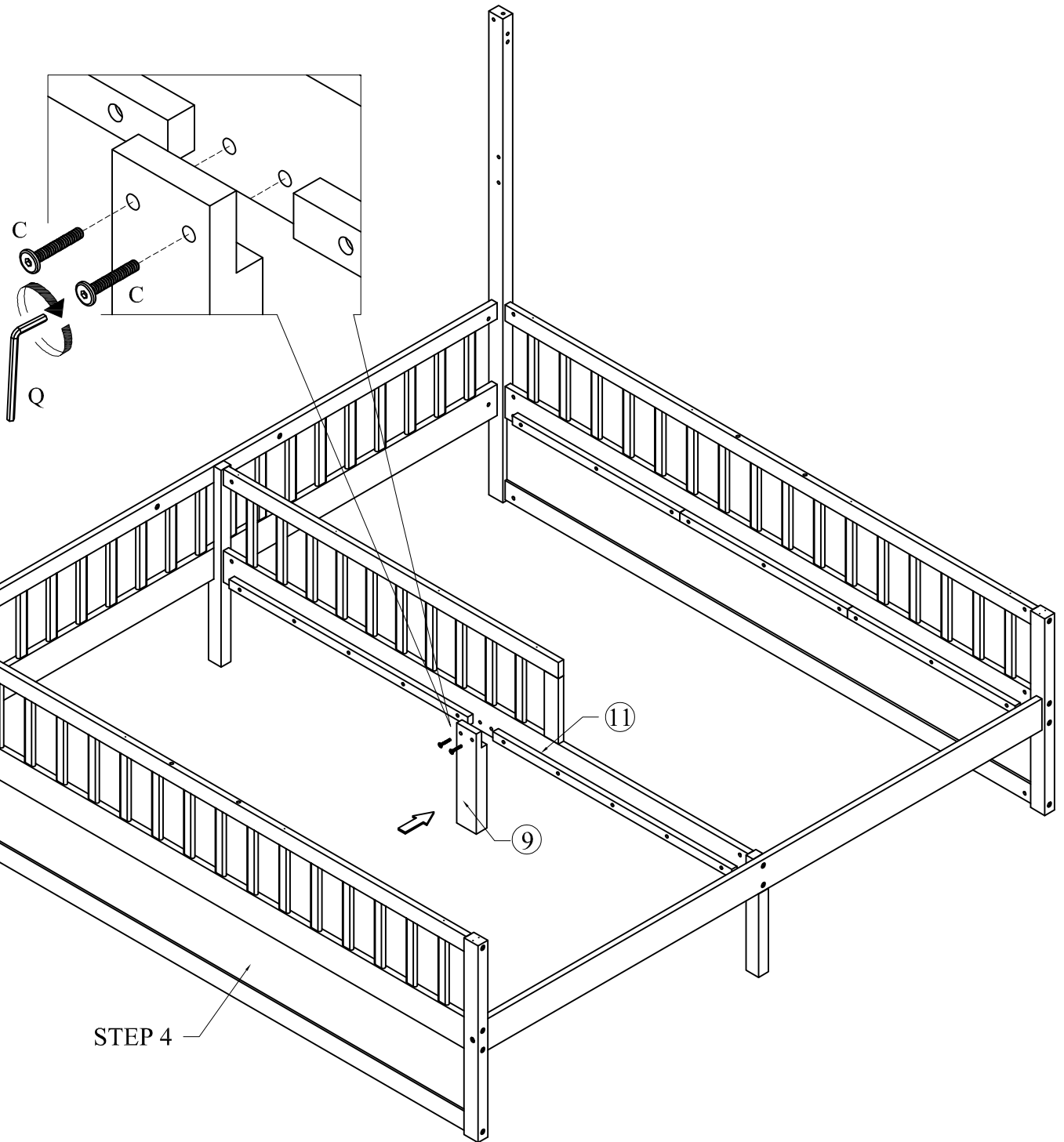
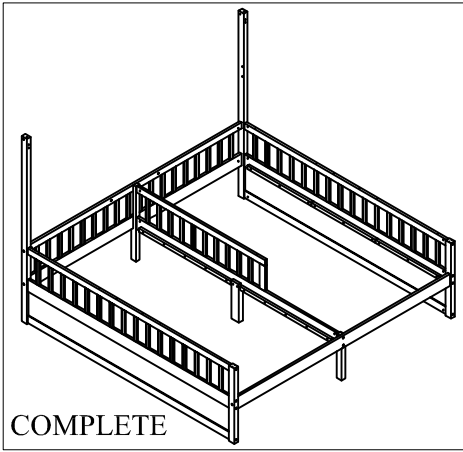


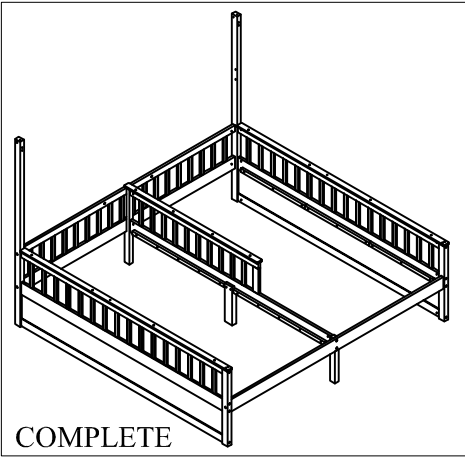
STEP 5

Ⓒ

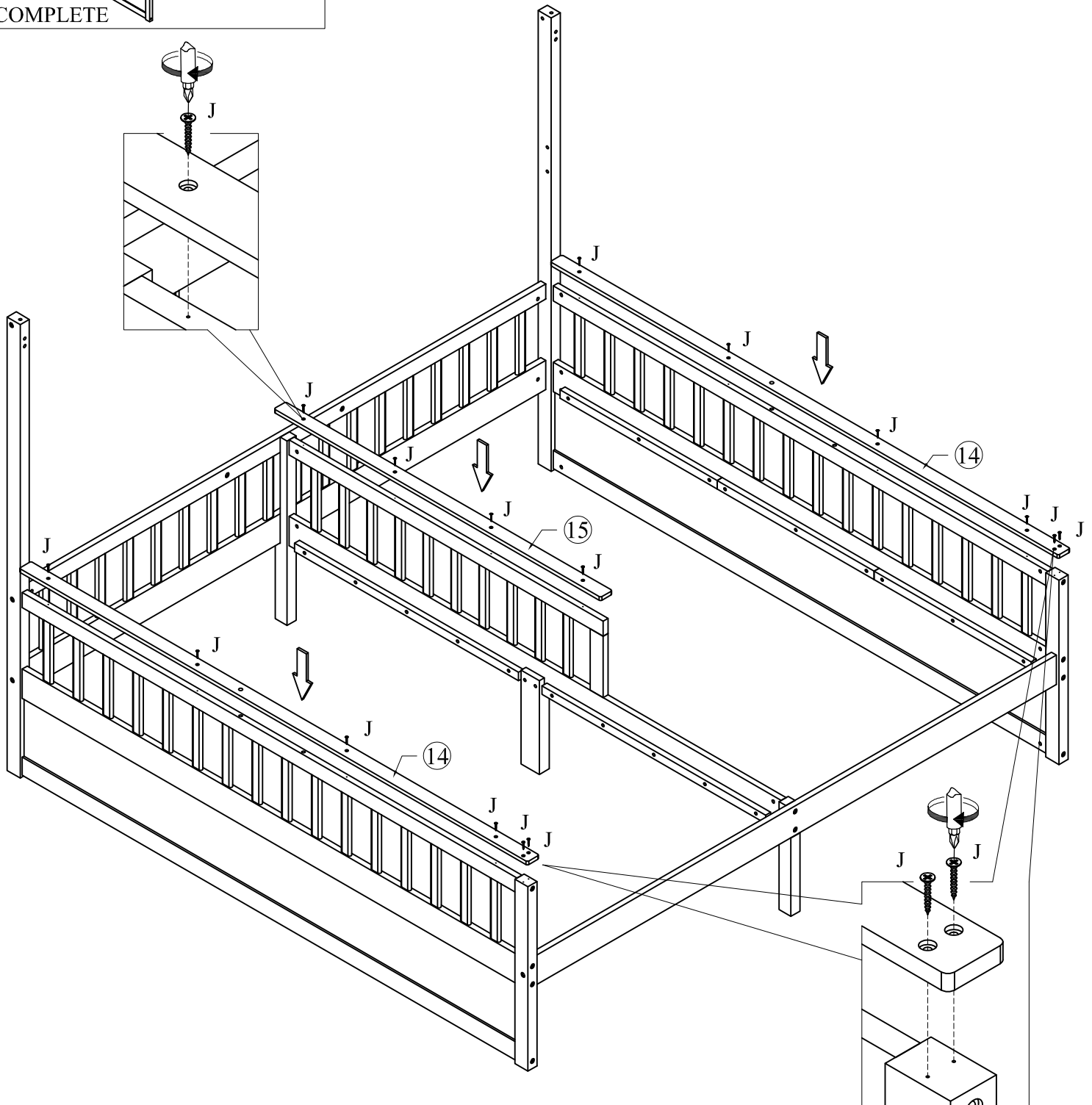


02







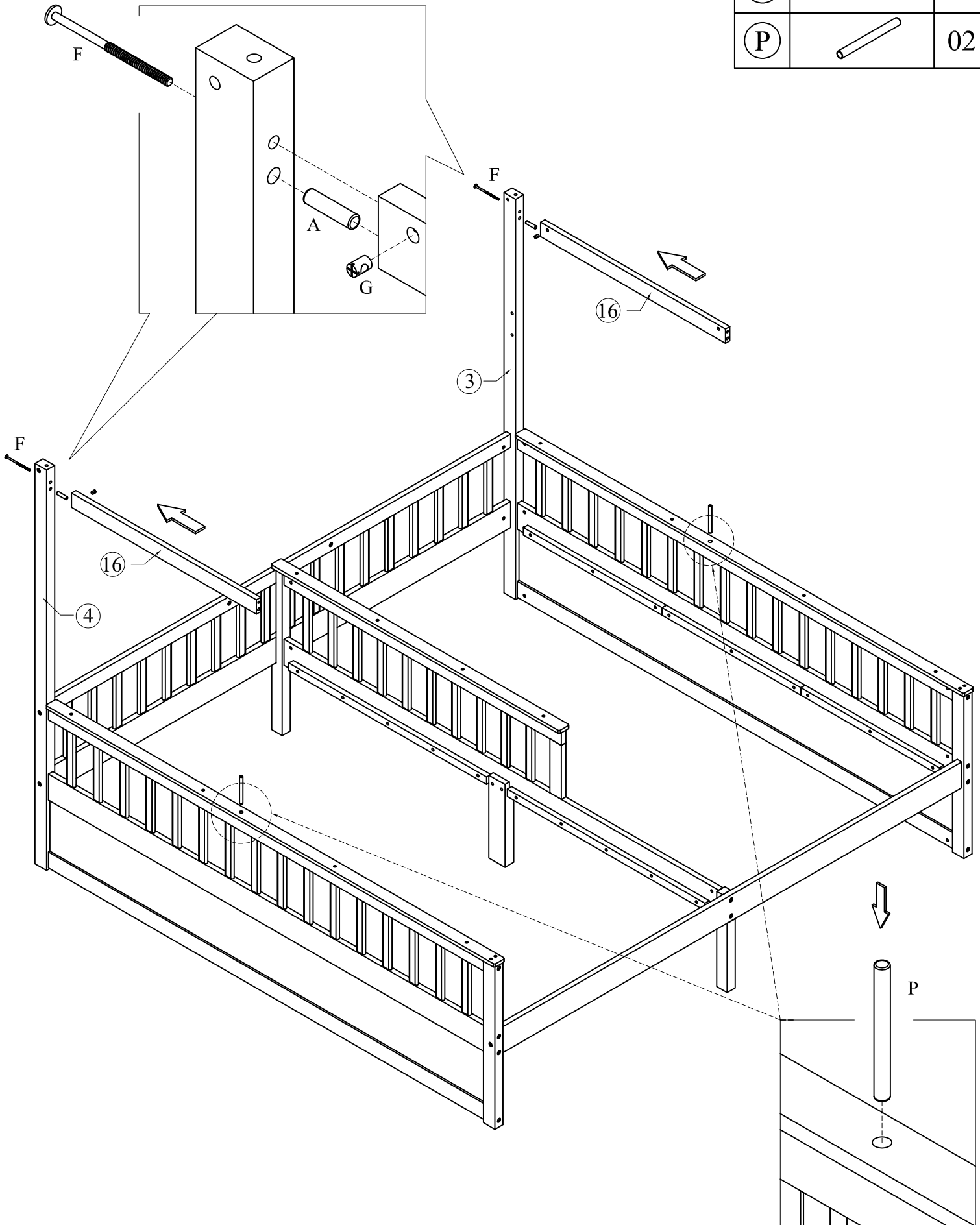


- Use hardware J to assemble the top caps at the locations with pre-drilled holes.

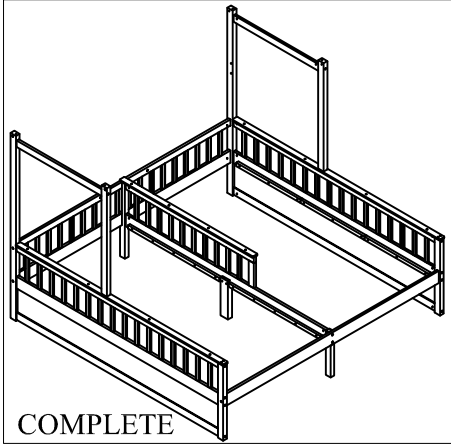


STEP 7

(A)		02
(F)		02
(G)		02
(P)		02

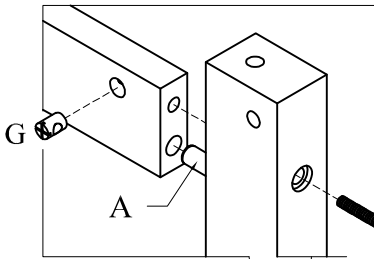


STEP 8

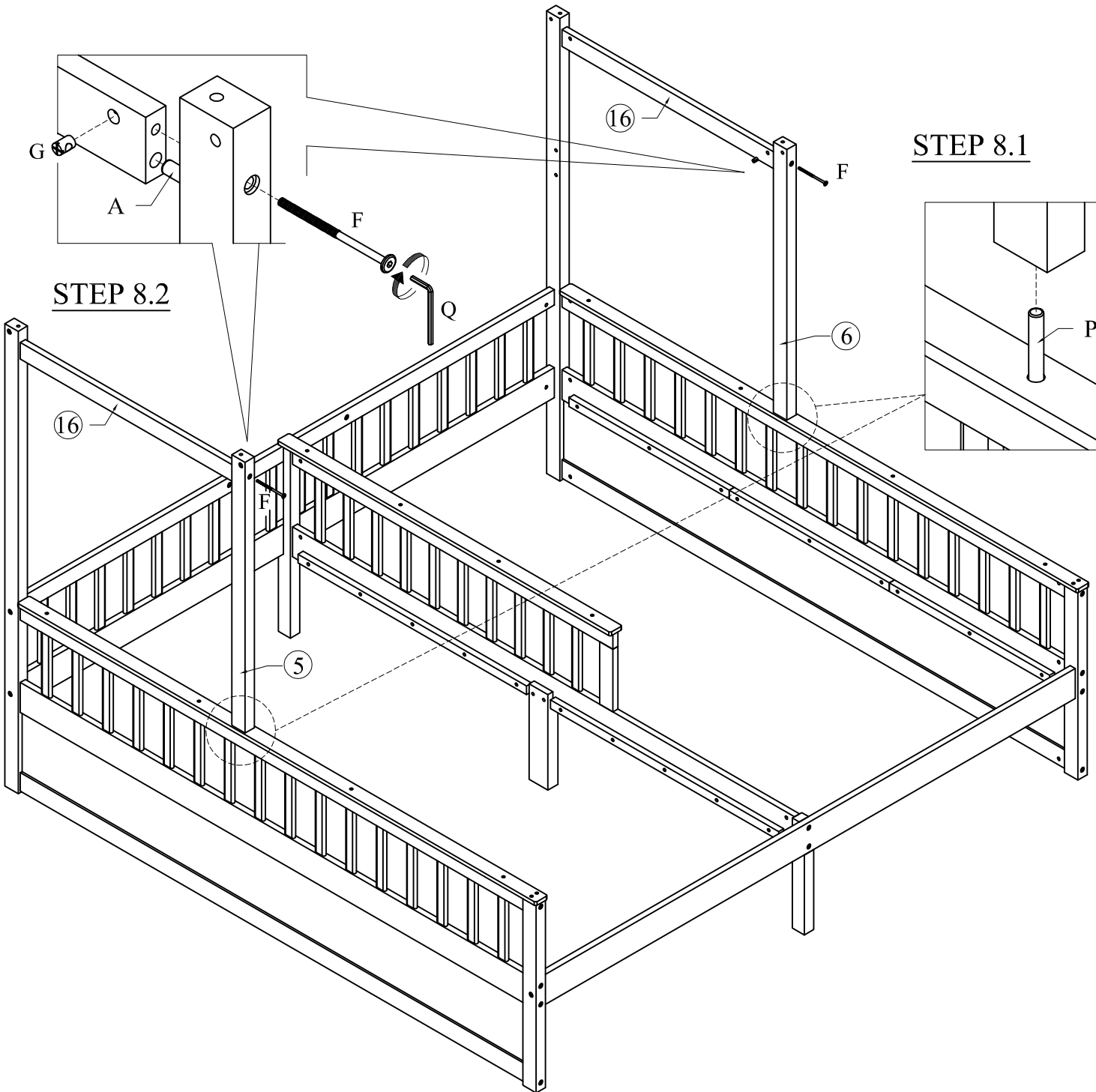
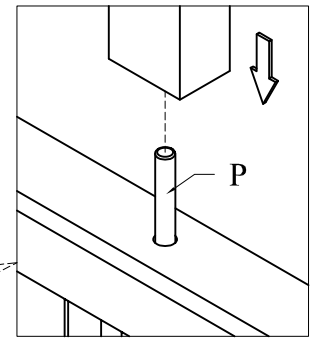


- Note: To facilitate assembly, you may loosen the bolts already installed on legs 3 and 4 slightly. Insert wooden dowels A into the holes on parts 5 and 6 first, then proceed with Step 8.1. Next, carry out Step 8.2 so that the wooden dowels align and engage with the holes on part 16.

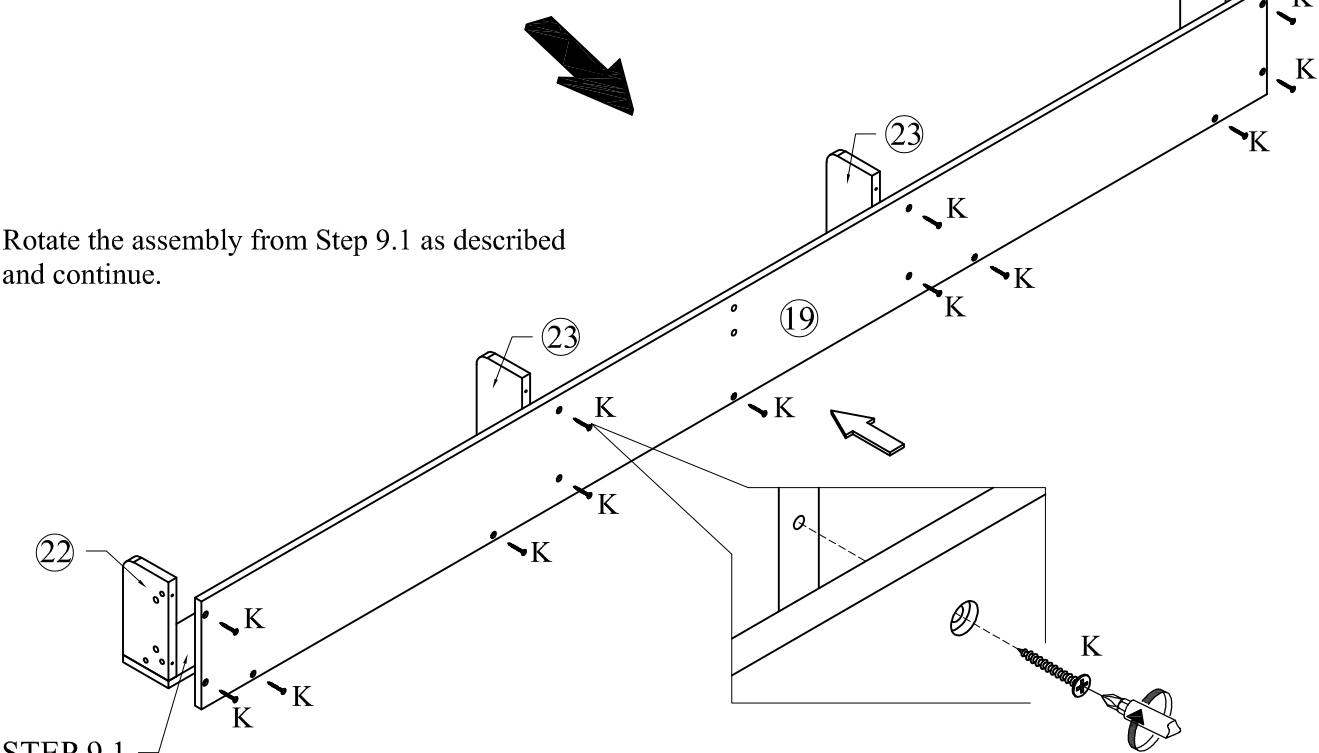
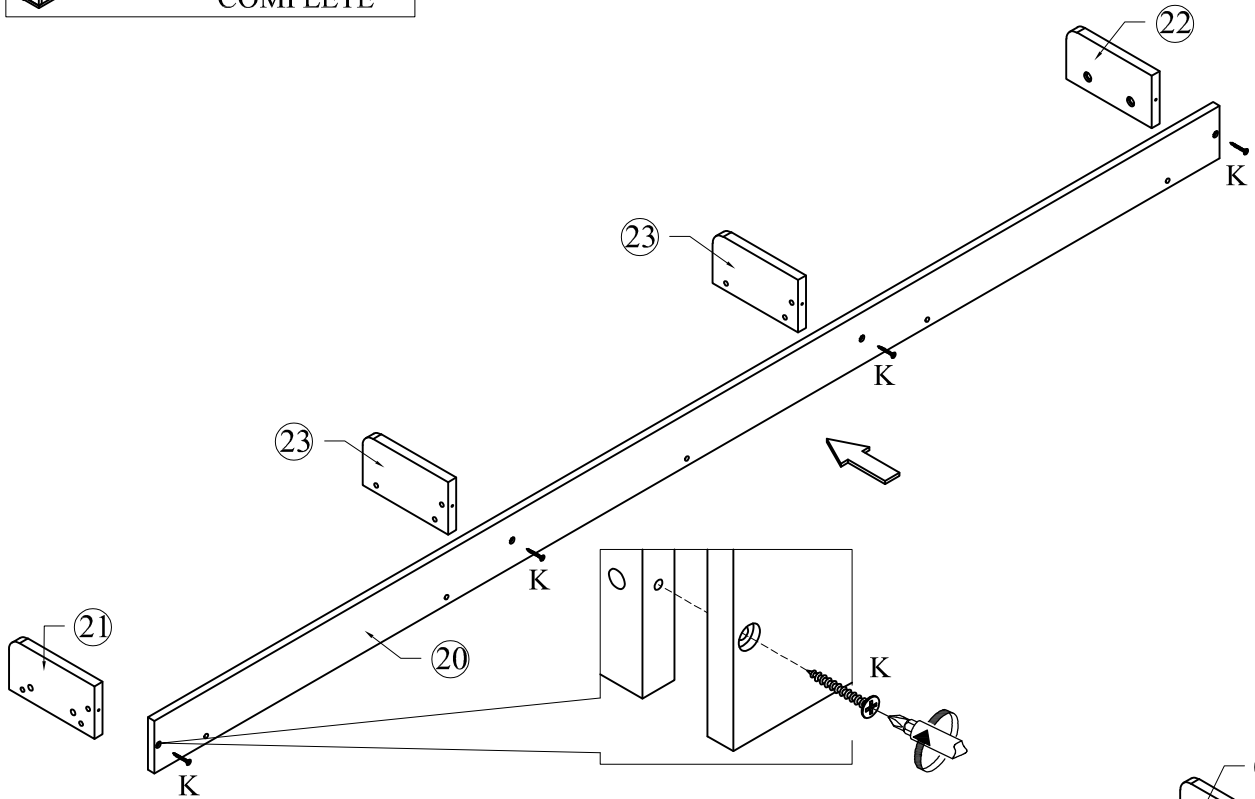
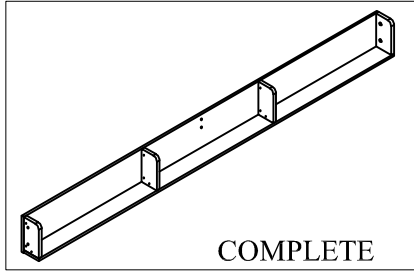
(A)		02
(F)		02
(G)		02



STEP 8.1




STEP 9

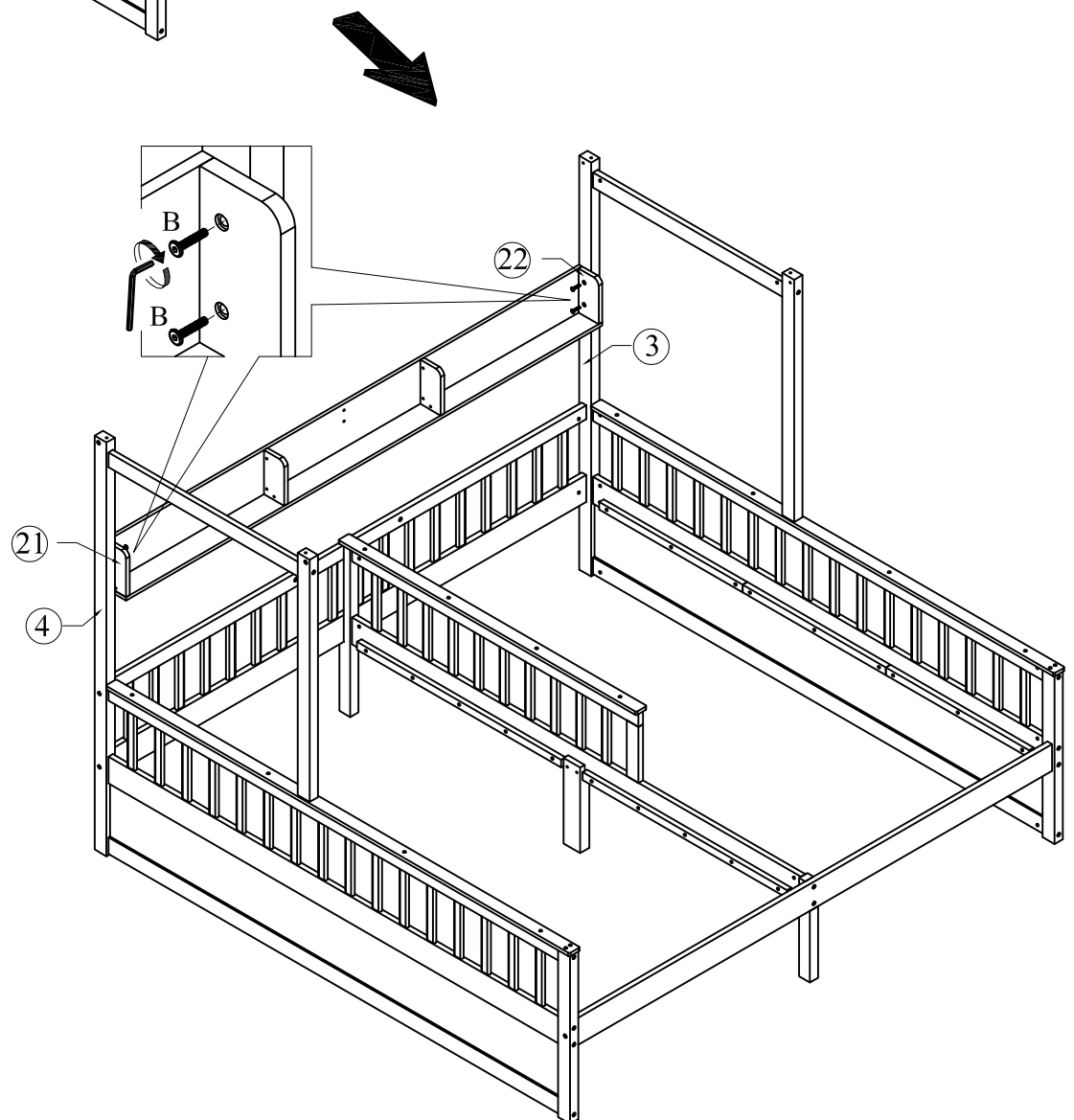
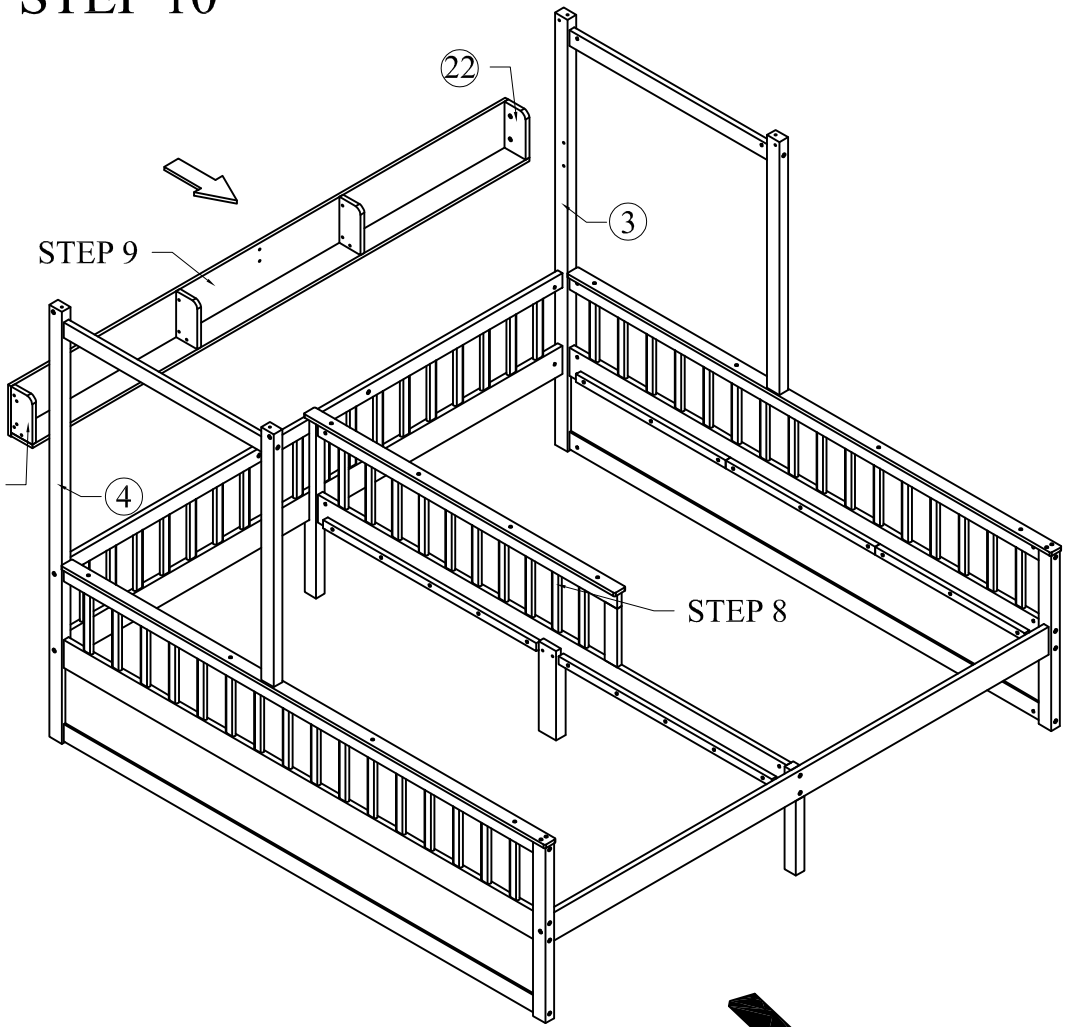


Rotate the assembly from Step 9.1 as described and continue.

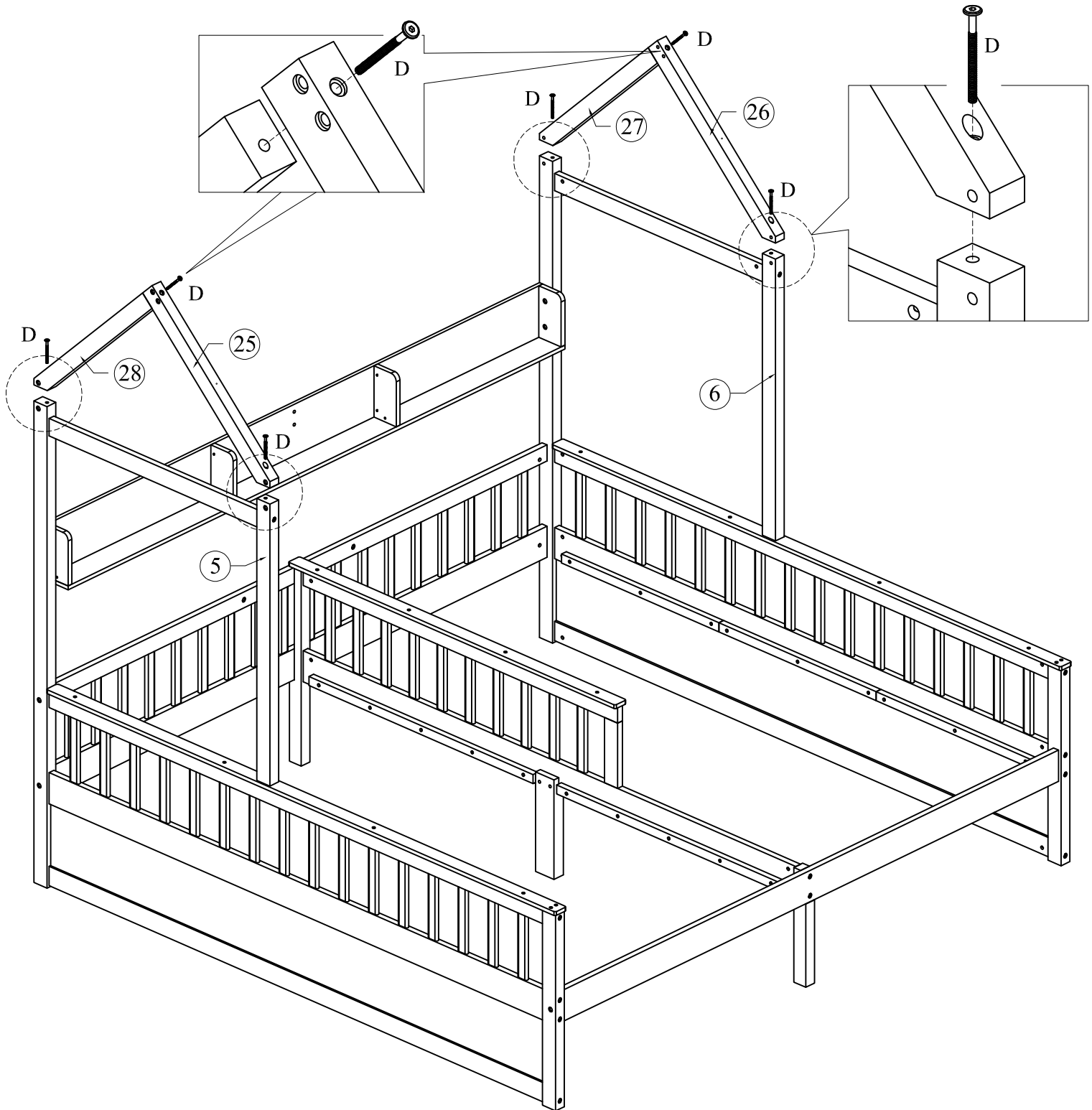
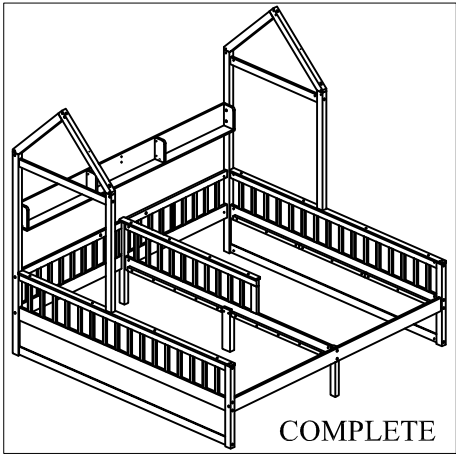
STEP 9.1

STEP 10



B		04
---	---	----

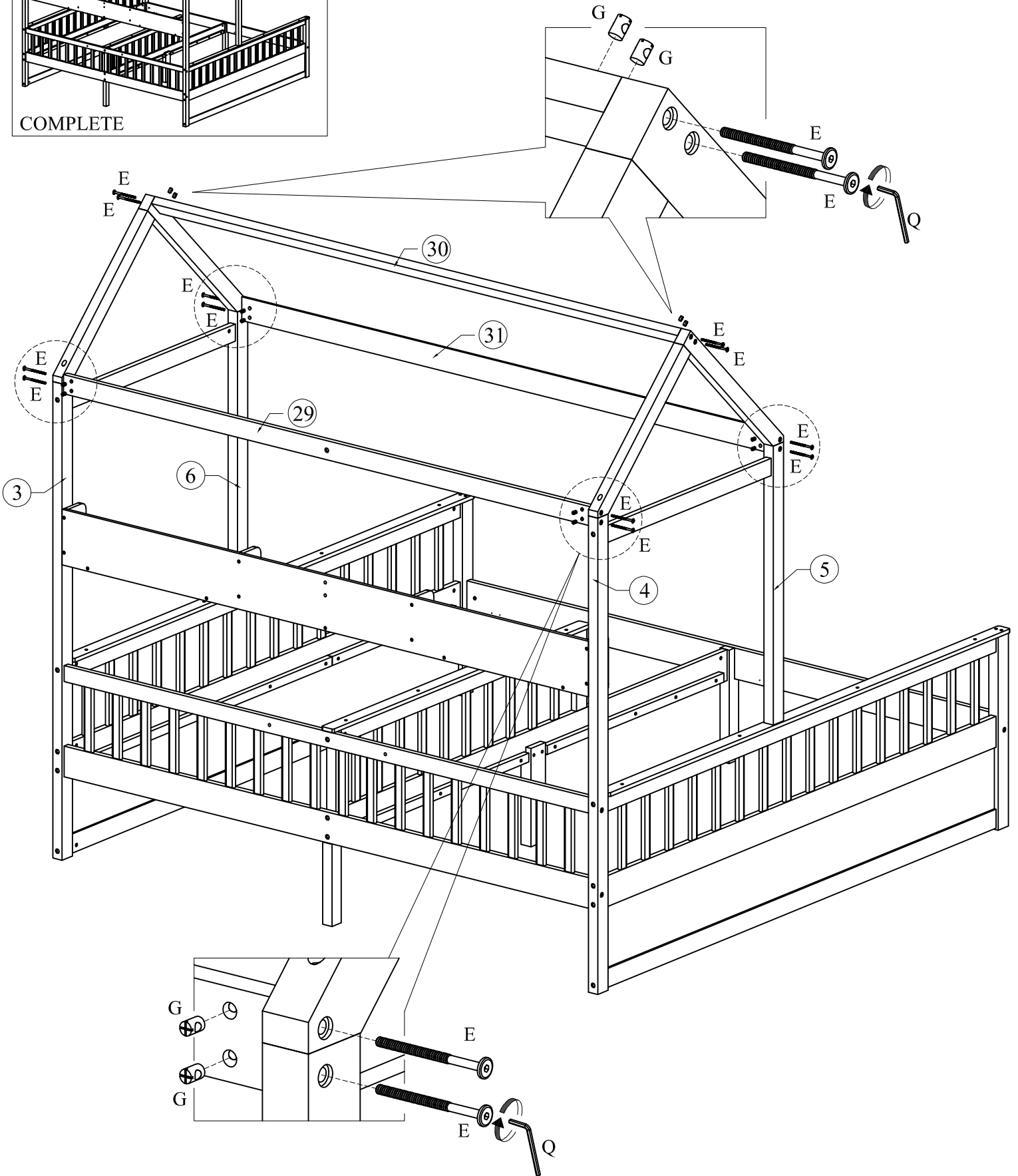
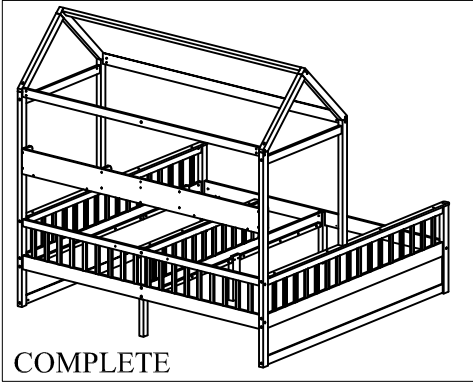


STEP 11

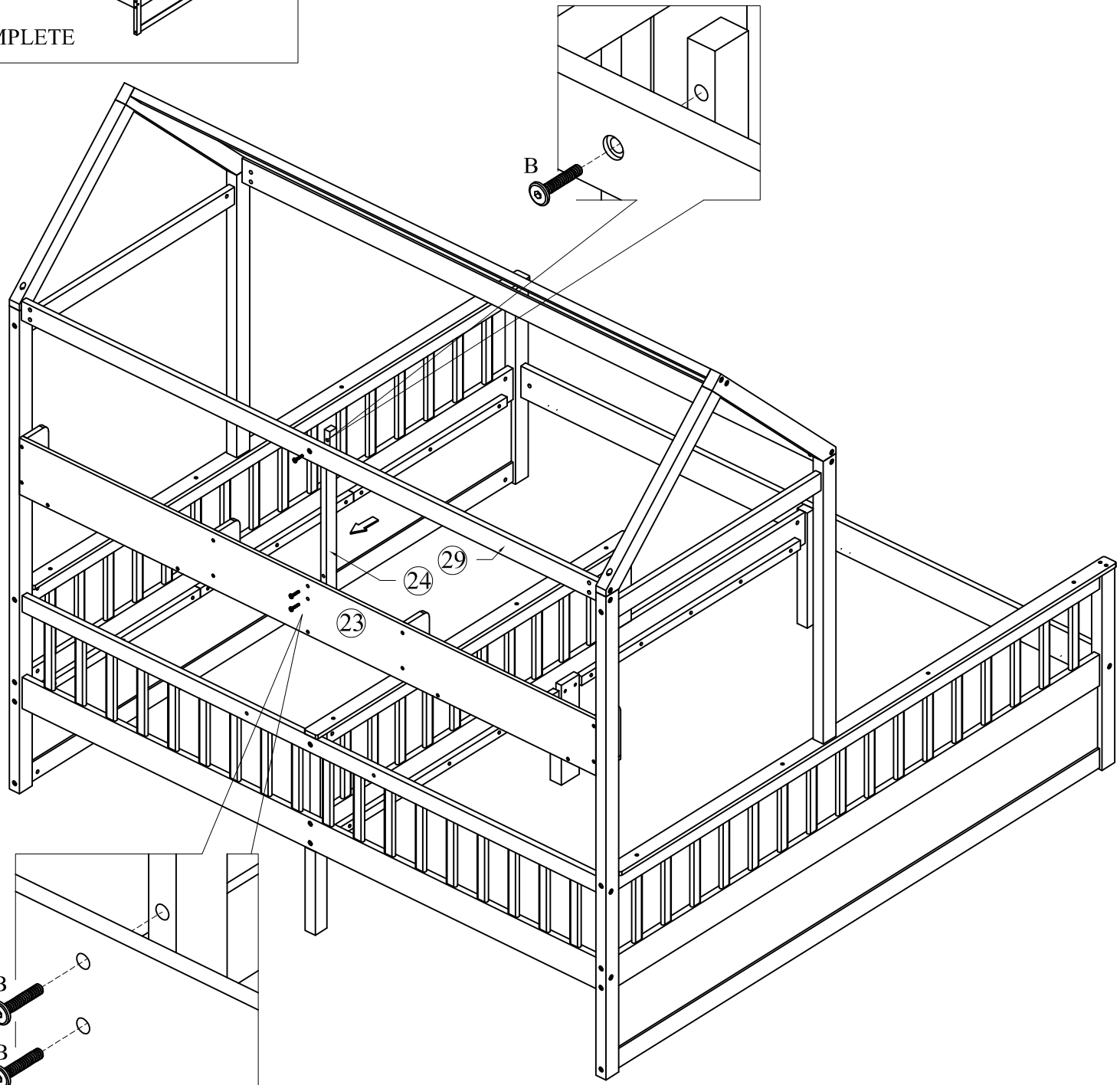
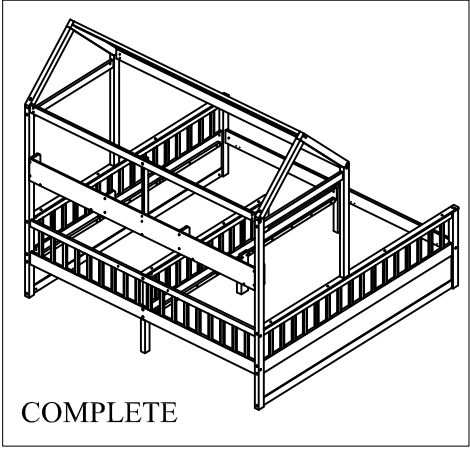


STEP 12

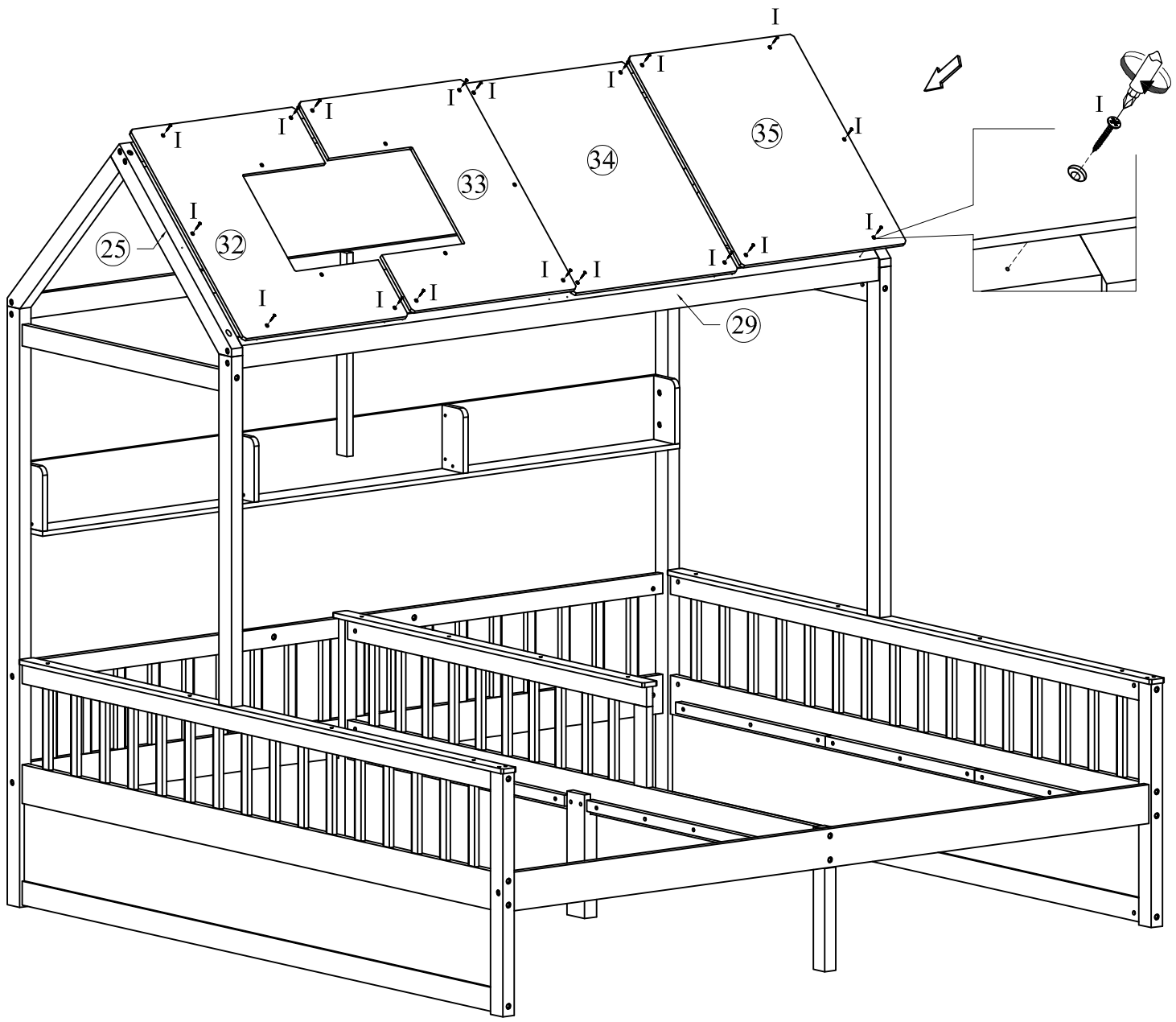
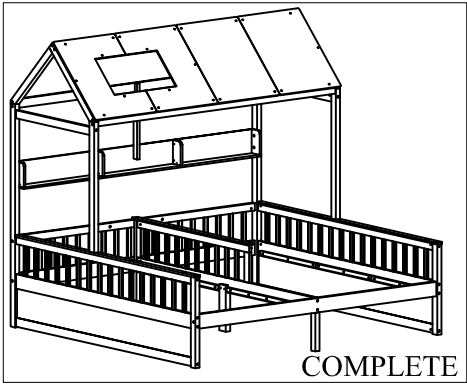
E		12
G		12



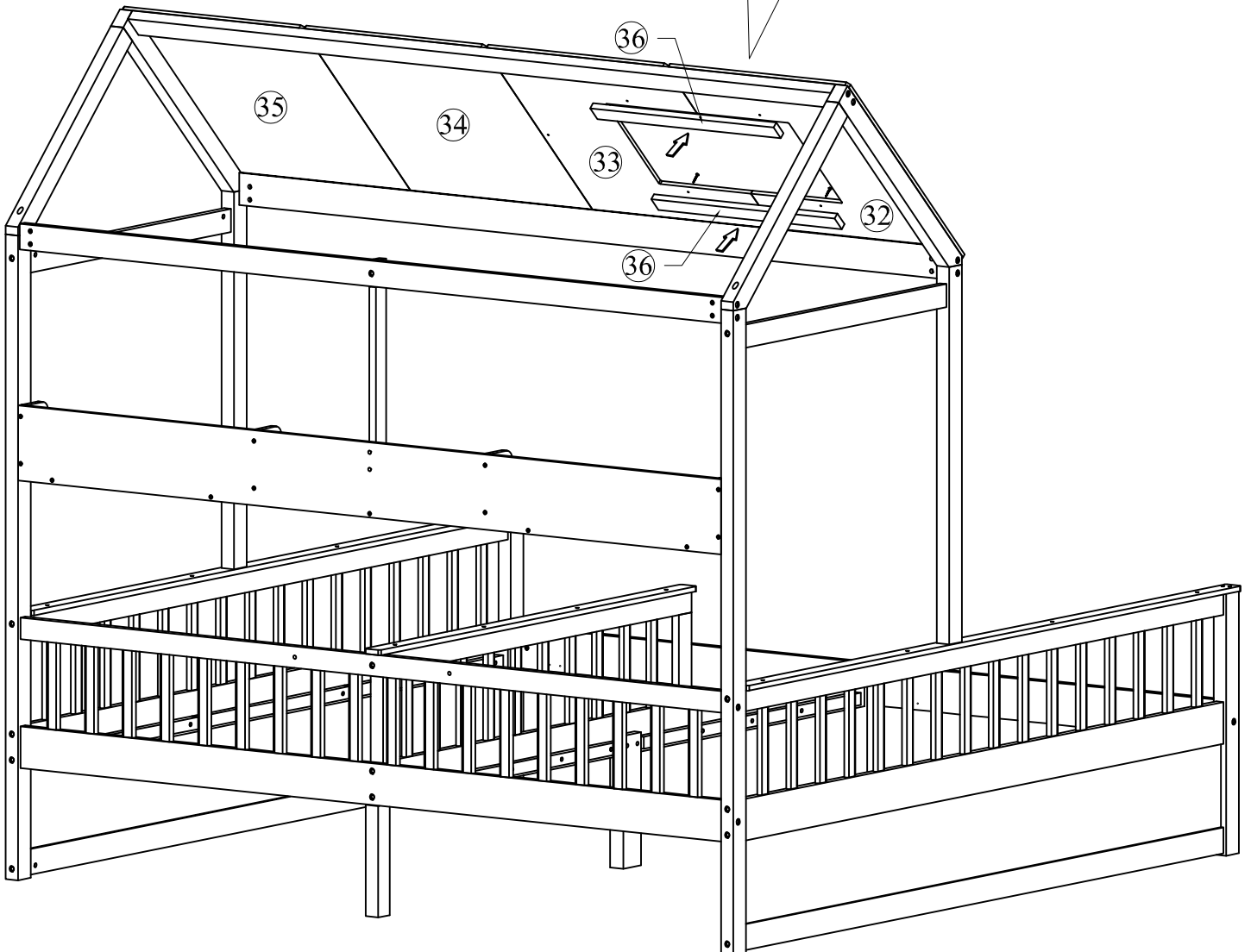
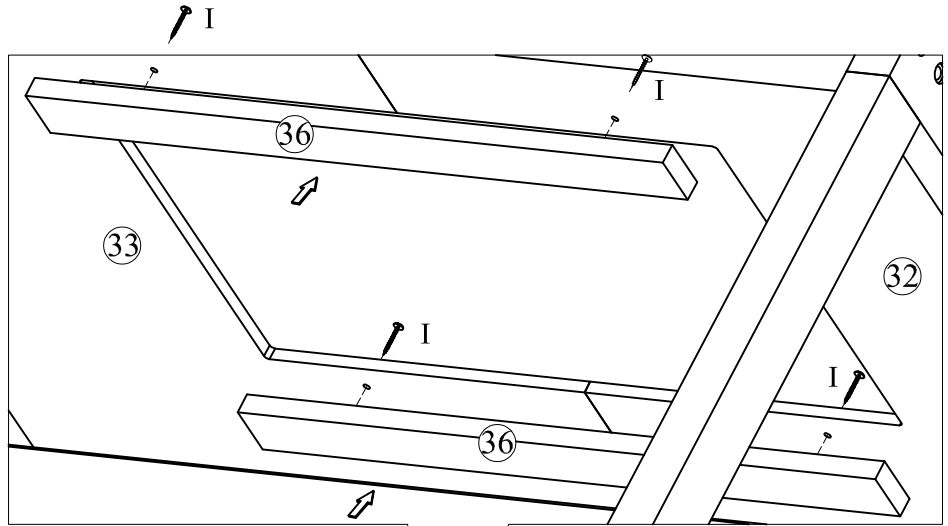
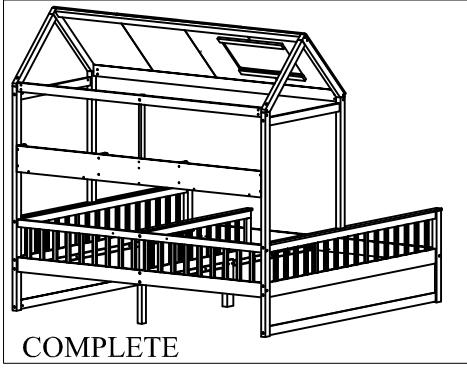
STEP 13





STEP 14

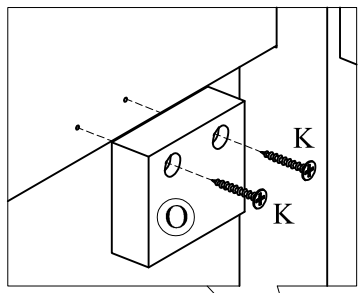
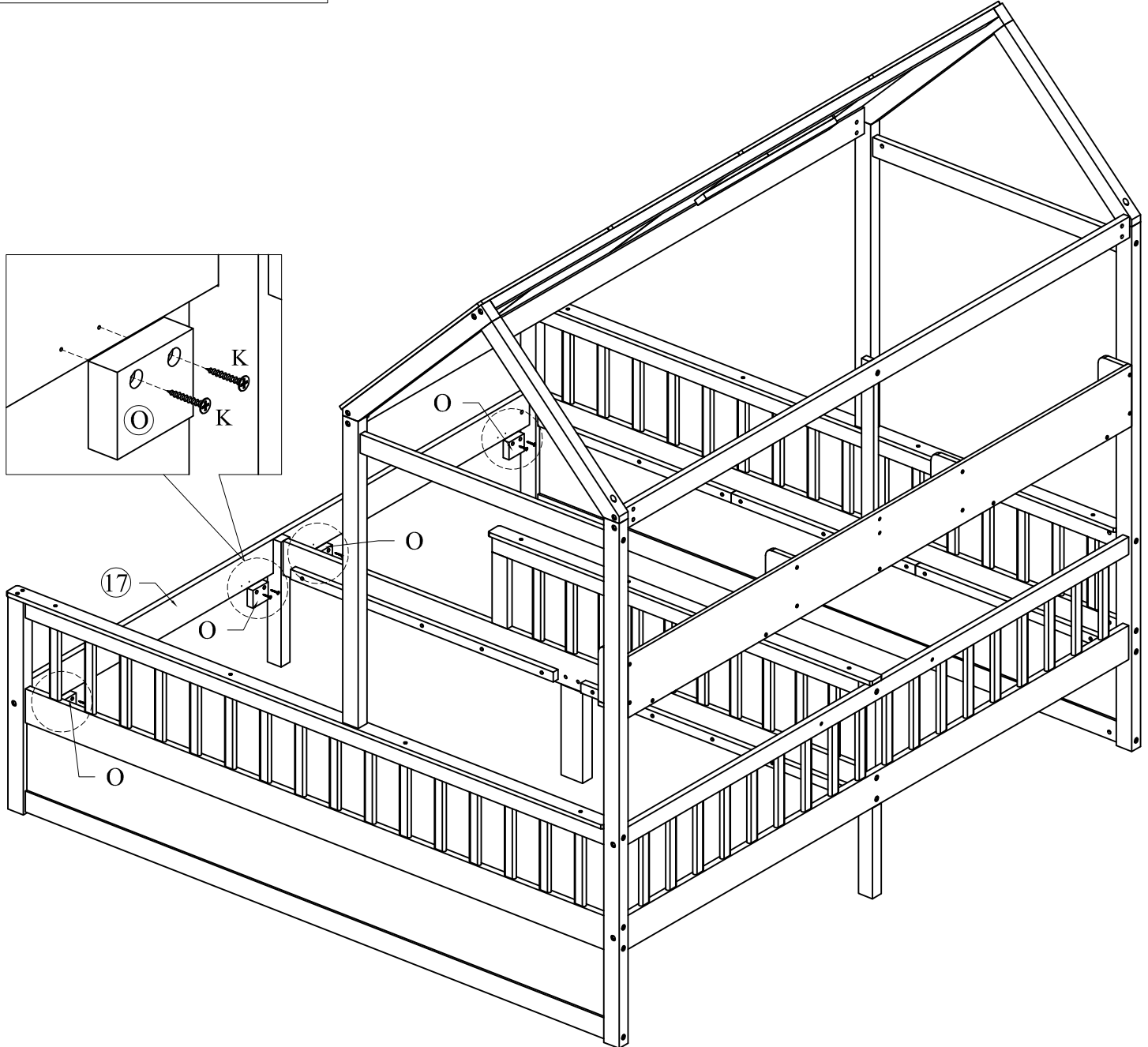
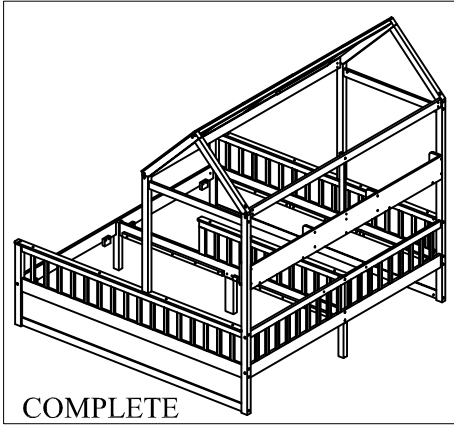


STEP 15




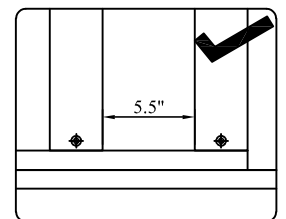
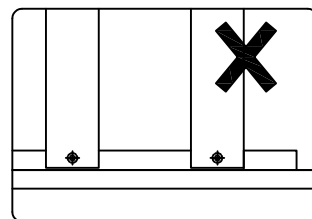
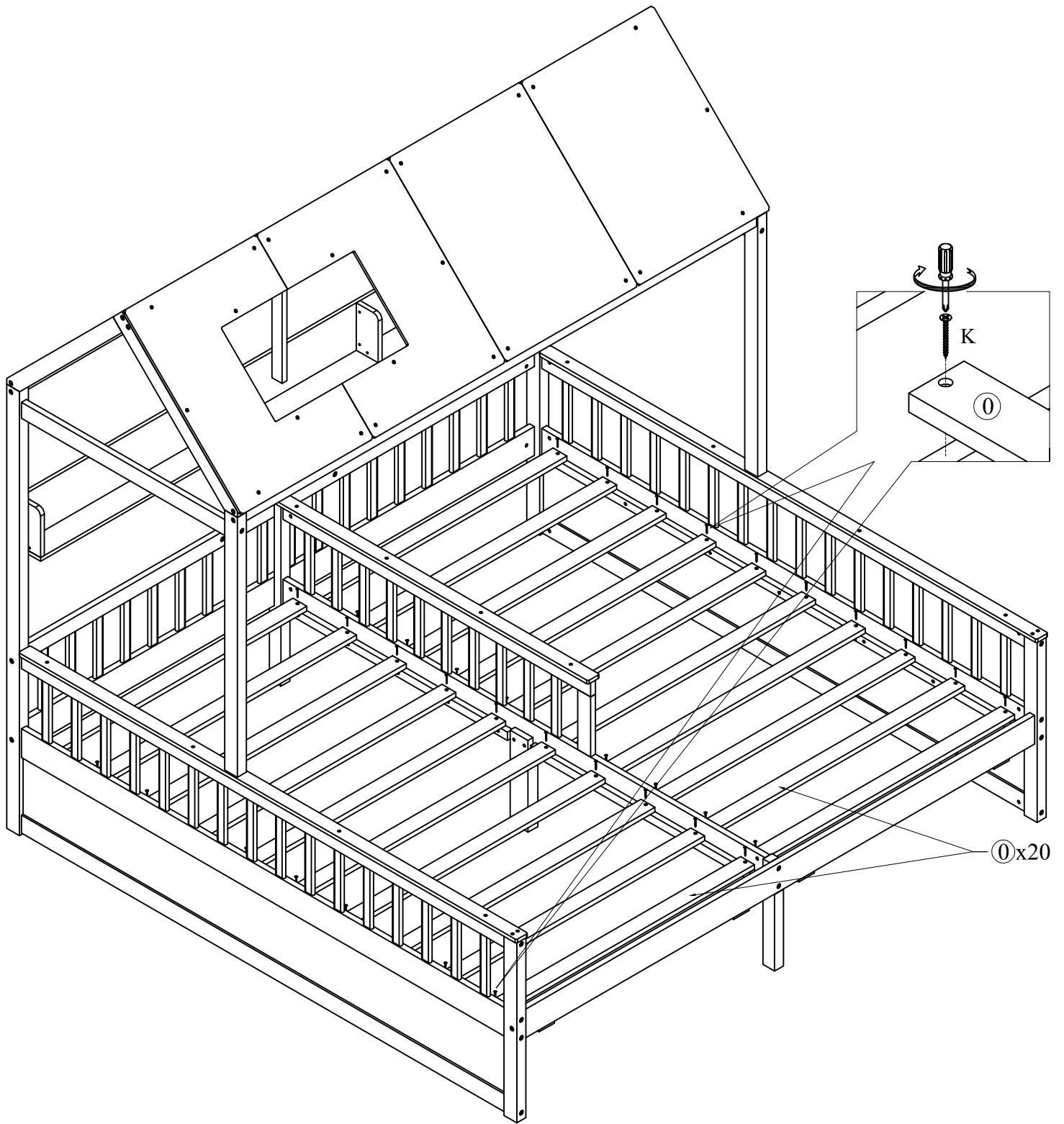
STEP 16

(K)		08
(O)		04



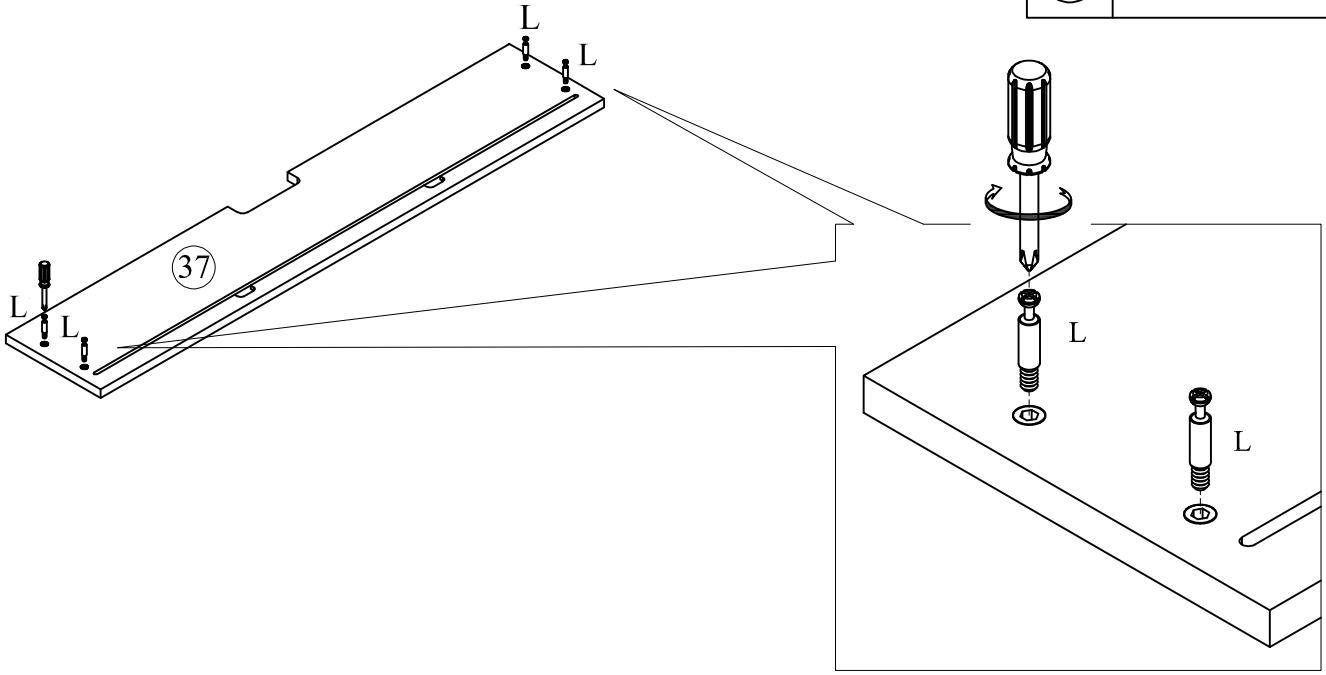
STEP 17

K		40
---	---	----



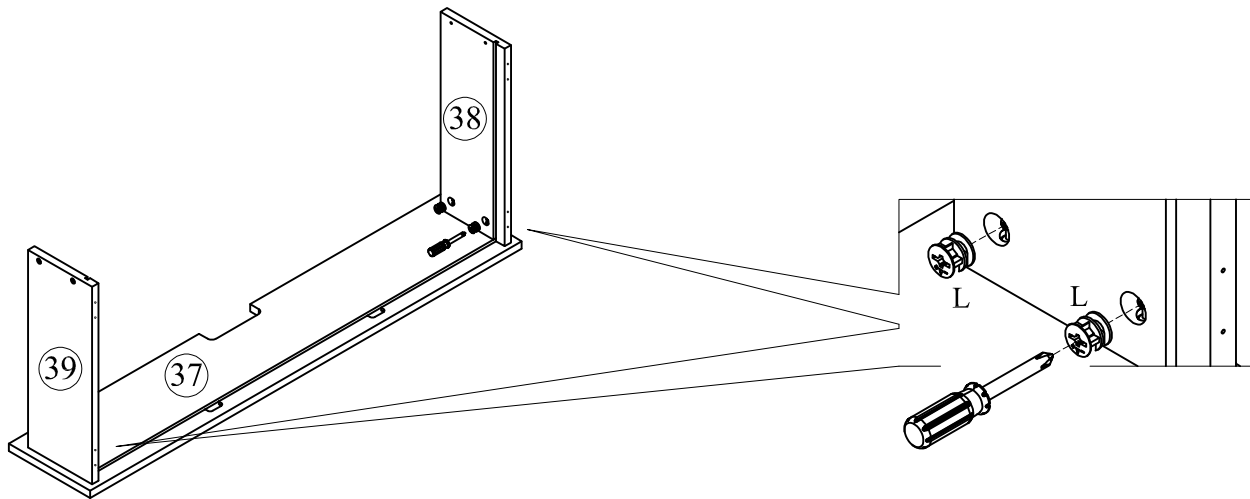
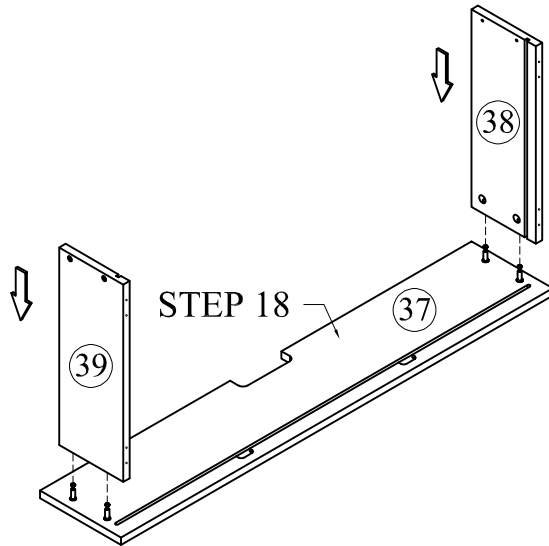
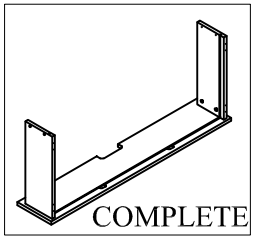
STEP 18

(L)		04
-----	---	----



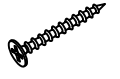
STEP 19

(L)		04
-----	---	----

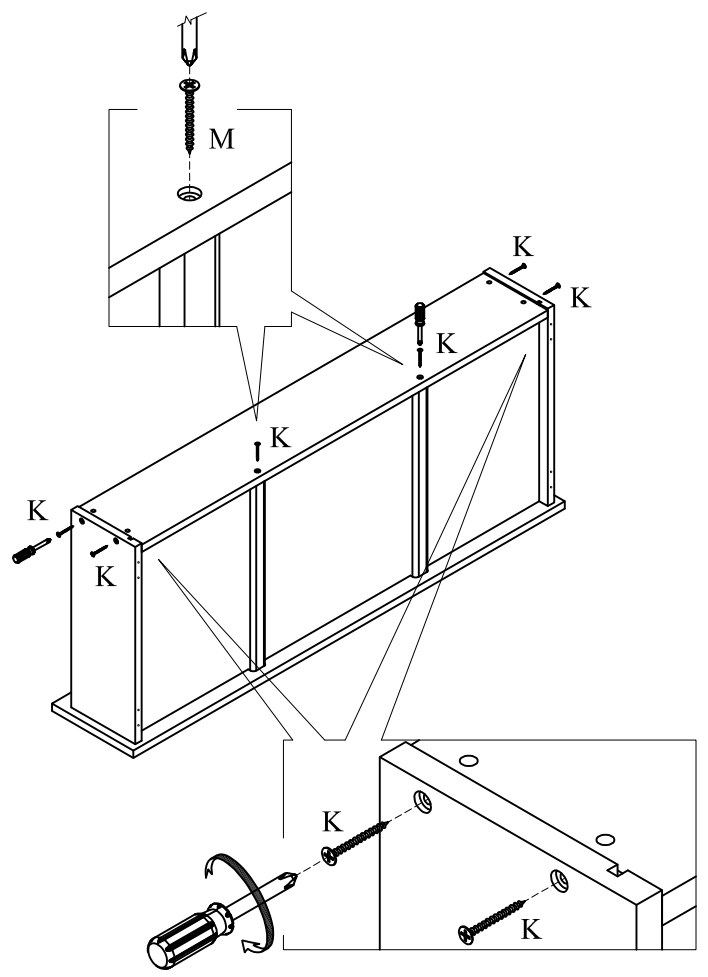
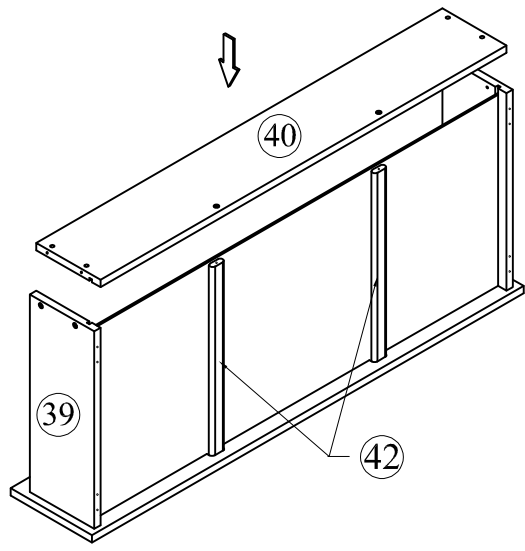
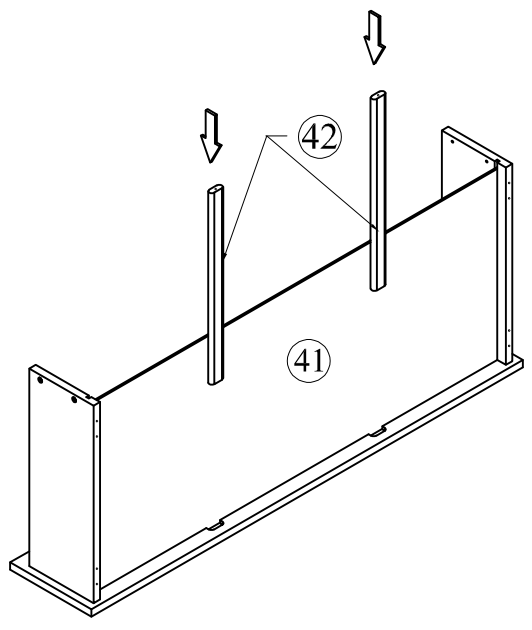
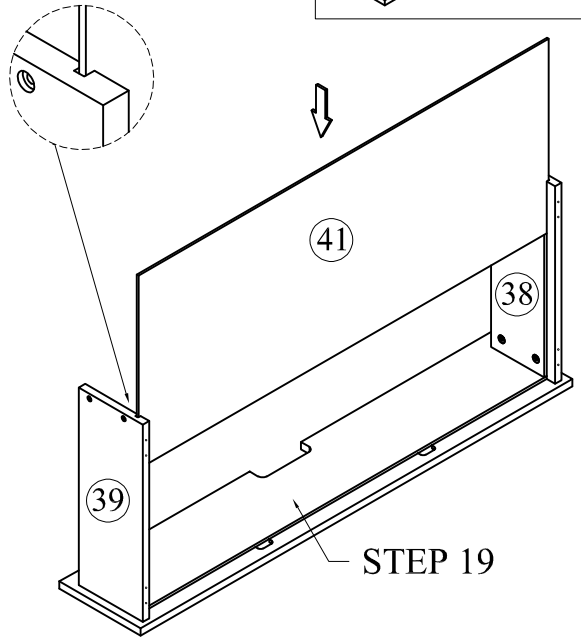
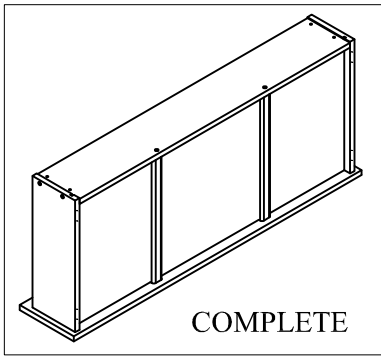


STEP 20



(K)

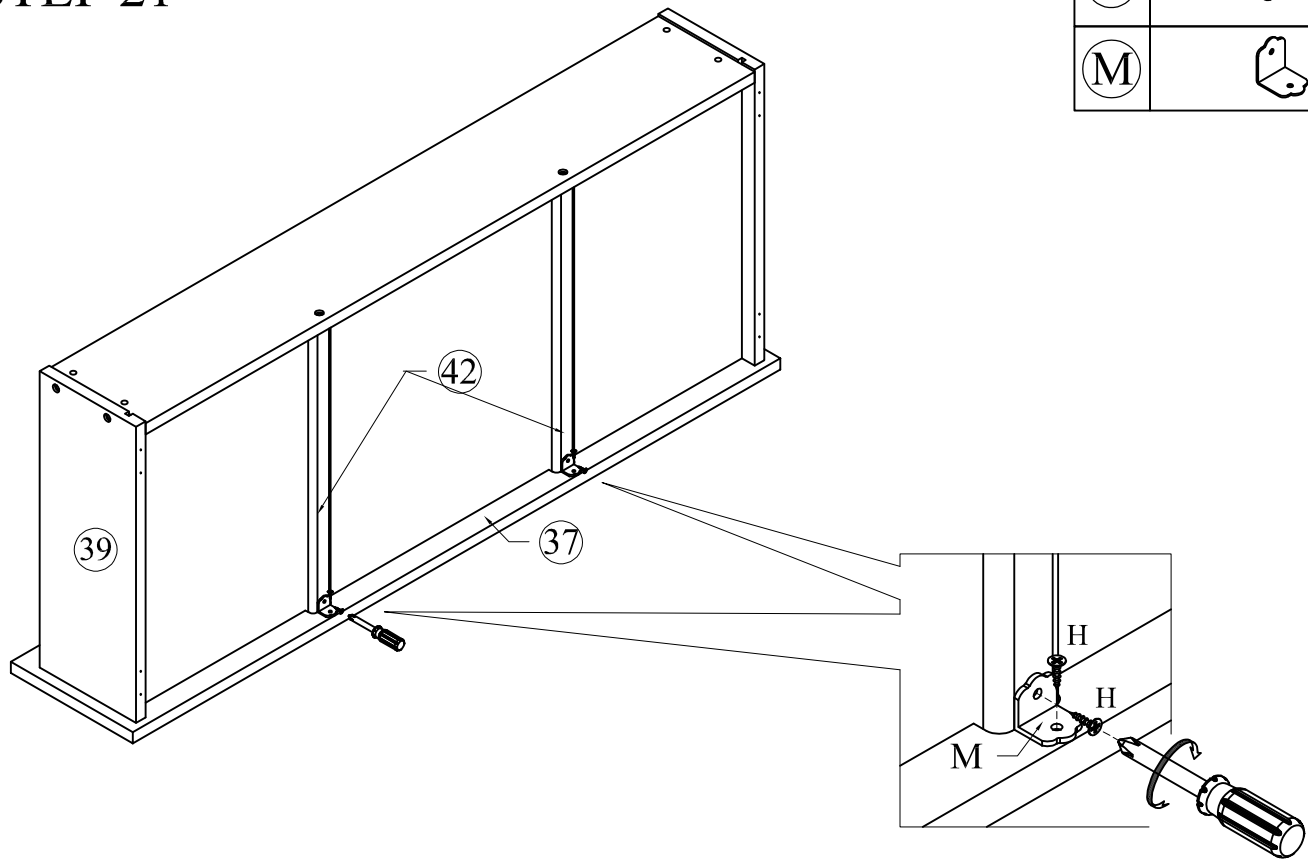


06





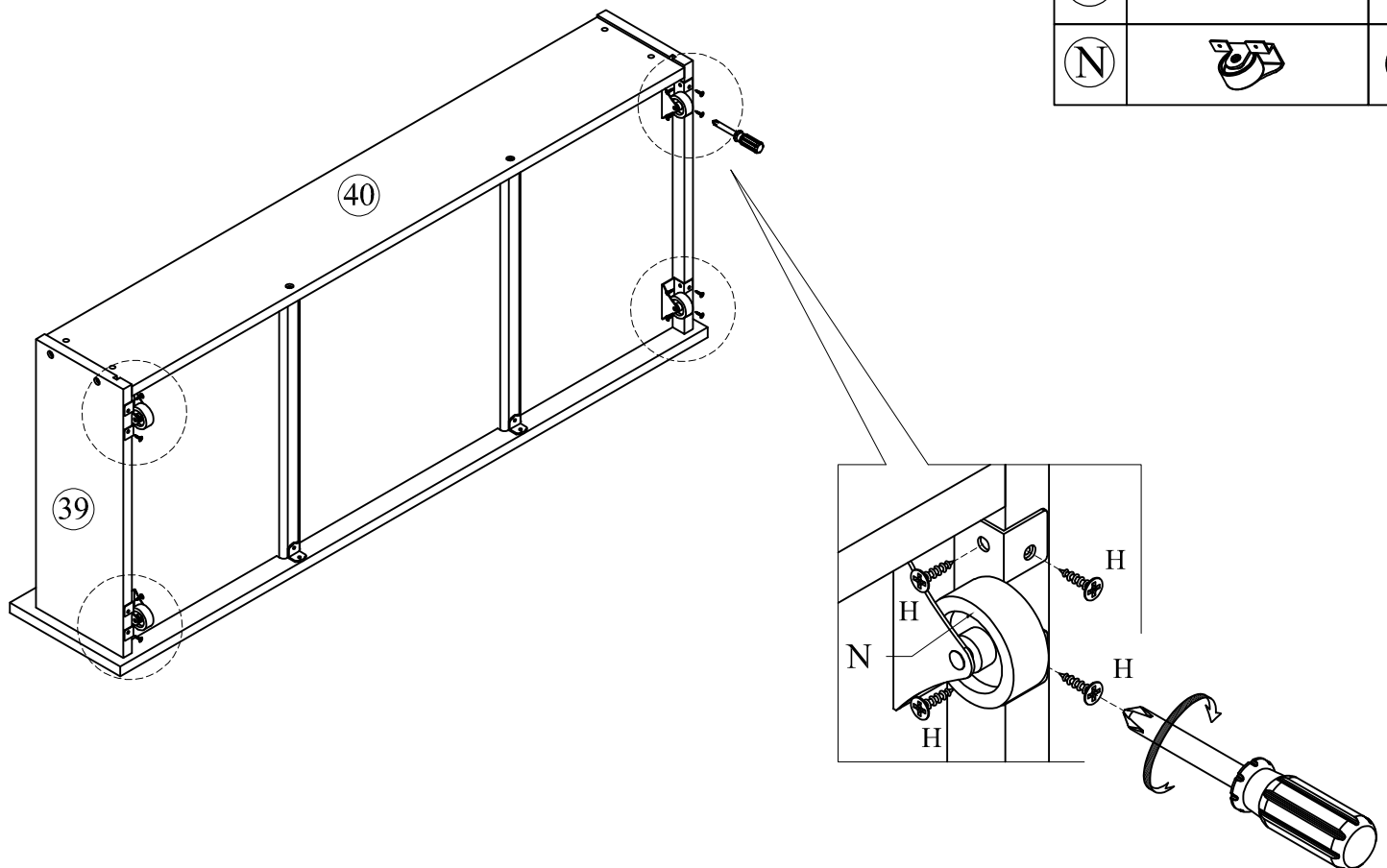
STEP 21

(H)		04
(M)		02



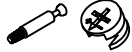




STEP 22

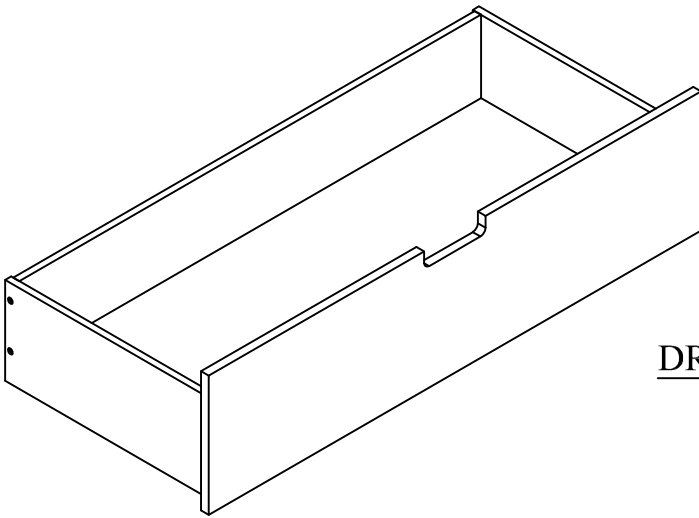
(H)		16
(N)		04



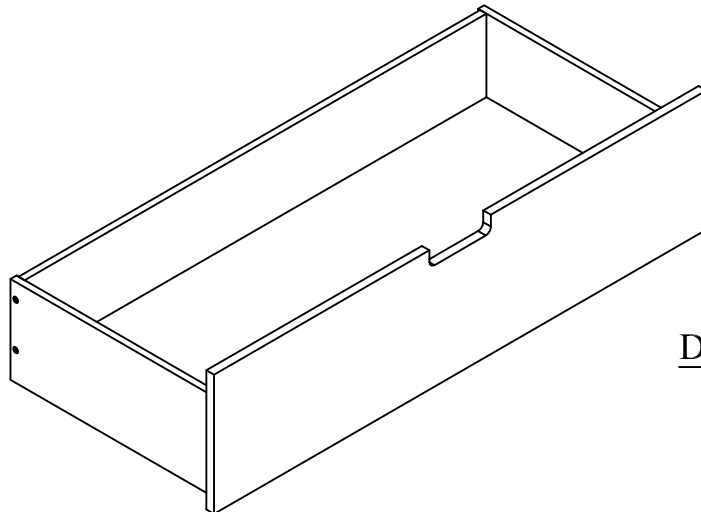
STEP 23

(H)		20
(K)		06
(L)		04
(M)		02
(N)		04

* ...Repeat the assembly steps from Step 18 to Step 22 to complete the second Drawer.

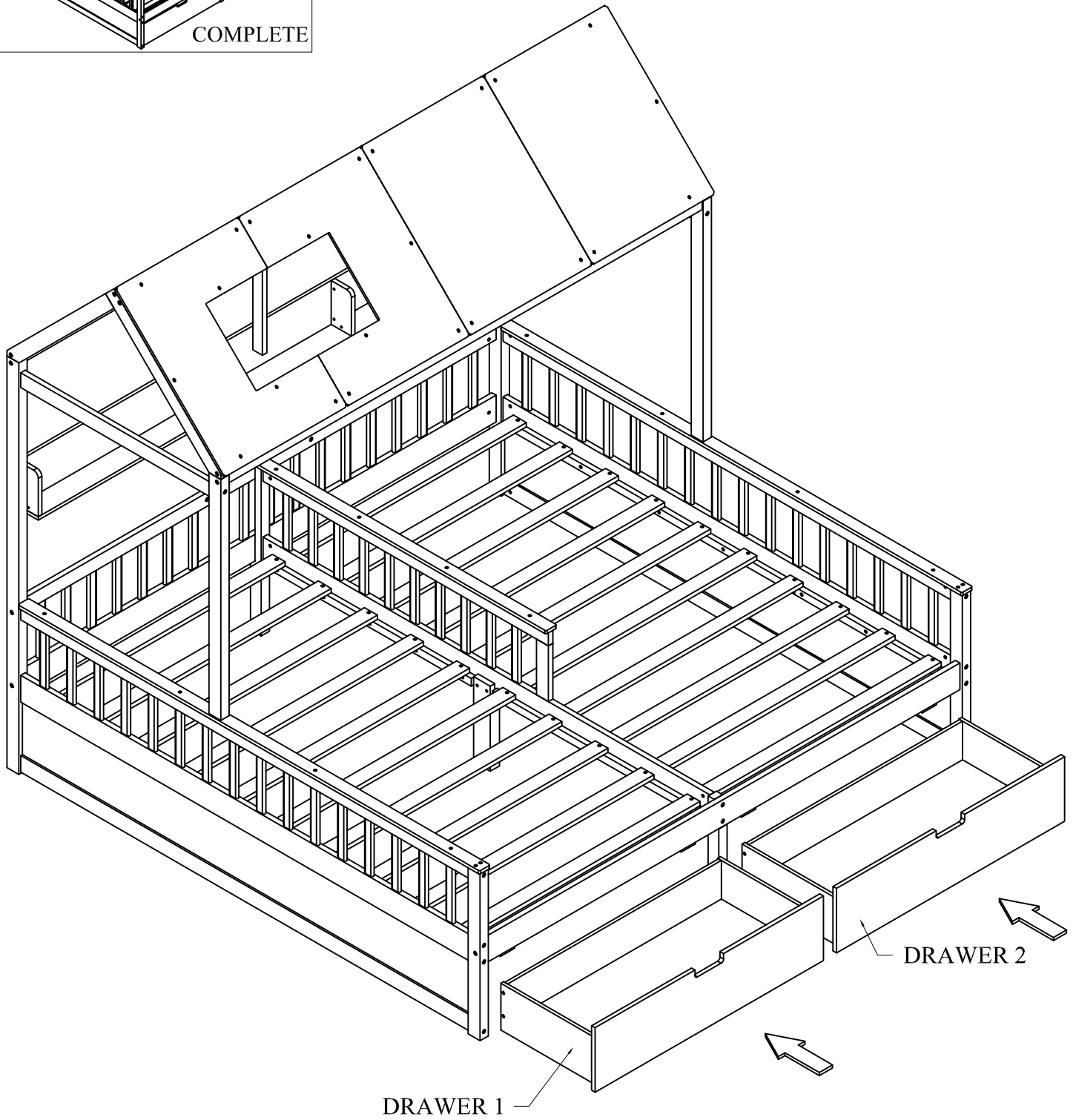
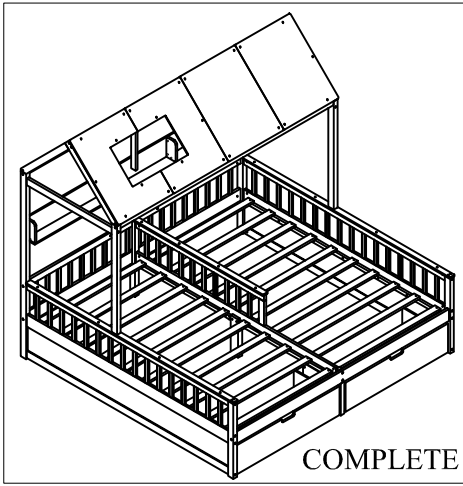


DRAWER 1



DRAWER 2

STEP 24



COMPLETED

