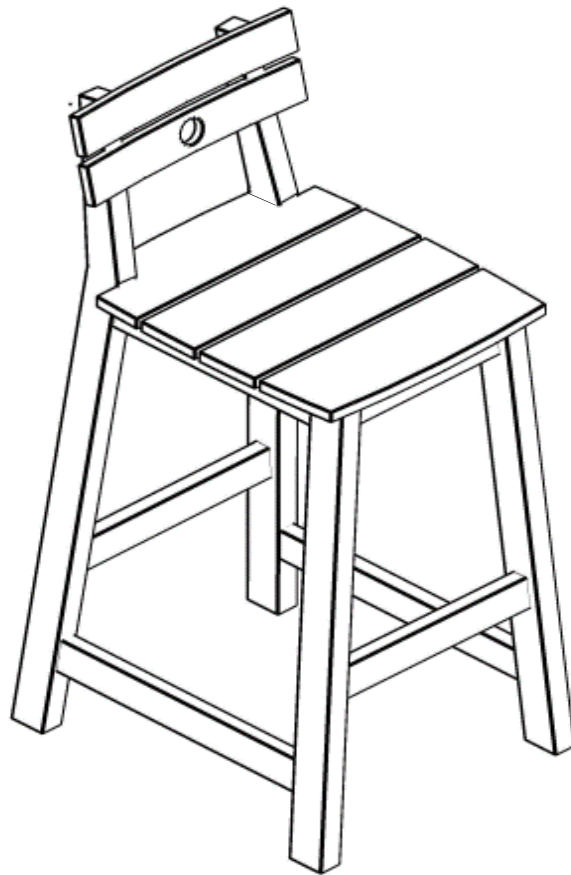


## Assembly Instructions

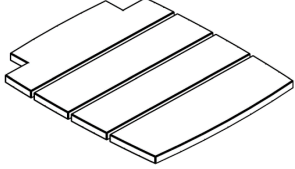
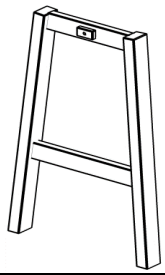
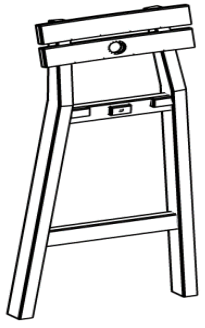
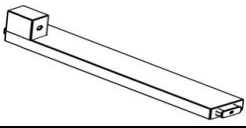
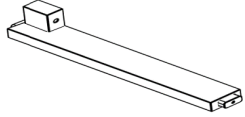
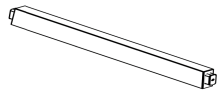
**Caution:** You must read these Assembly Instructions before you proceed.

Please look into the Back Leg Frame for Hardware Pack.

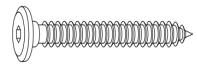
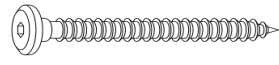


### BAR STOOL



**CAUTION:** This Barstool is NOT a TOY.  
Keep your child / children at bay during the assembly process.  
For turning the Barstool and to prevent damage to the Barstool, 2 people may be needed to execute this action.

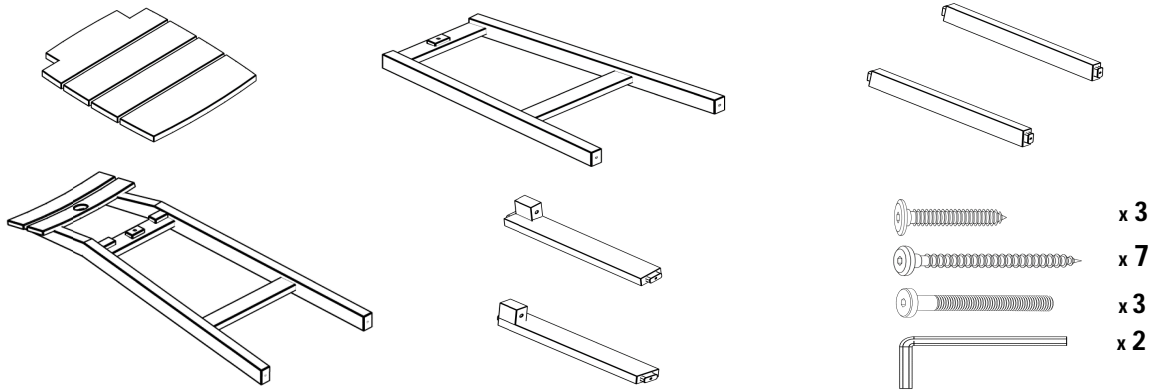
<b>Parts List:</b>			
<b>Label</b>	<b>Picture</b>	<b>Description</b>	<b>QTY</b>
<b>A</b>		Seat Panel	1
<b>B</b>		Front Leg Frame	1
<b>C</b>		Back Leg Frame	1
<b>D</b>		Short Support Bar-Right	1
<b>E</b>		Short Support Bar-Left	1
<b>F</b>		Long Support Bar	2

**Hardware:**

<b>Label</b>	<b>Picture</b>	<b>Description</b>	<b>QTY</b>
①		Screw (M6x45mm)	3
②		Screw (M6x70mm)	7
③		Bolt (M6X60mm)	3
④		Allen Wrench	2

## Assembly Preparation:

### Before Beginning Assembly:



- Read instructions, cover to cover.



- Have 2 adult partner in the assembly.



- Do not assemble on flooring or carpet.



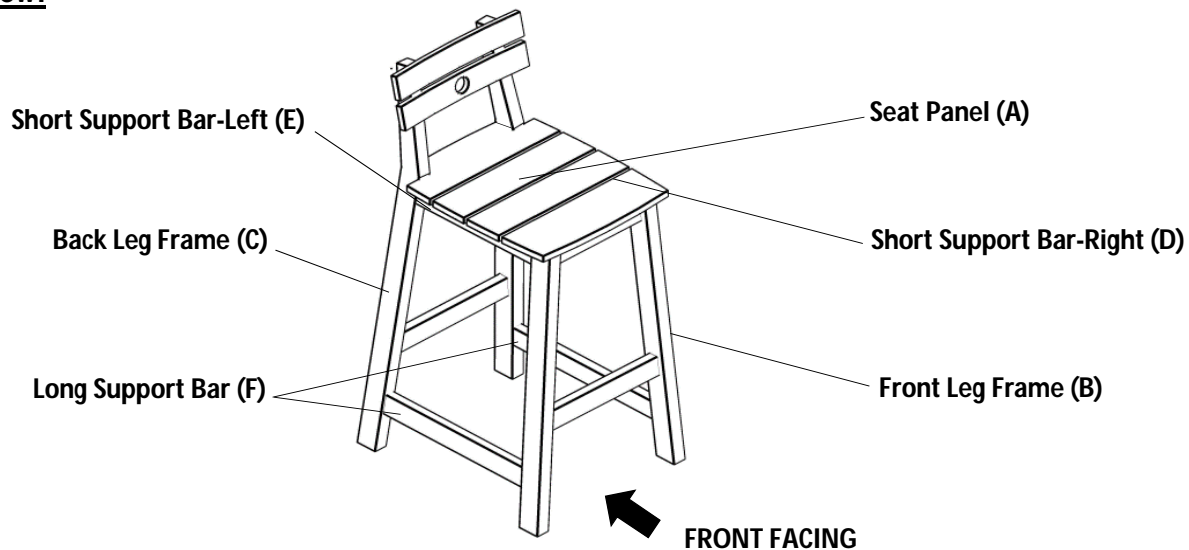
- Assemble on a clean non-marring surface



- Save all packaging until completion of assembly.

## Assembly Steps:

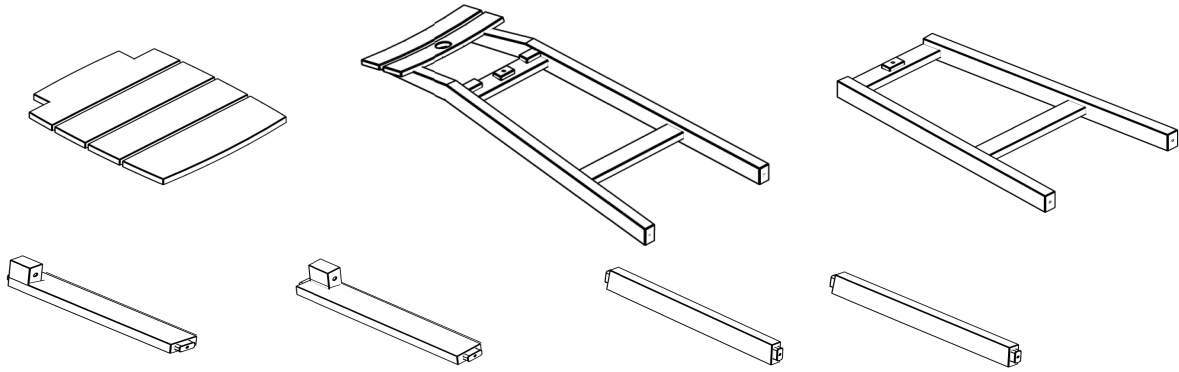
### Overview:



This Barstool has multiple parts, we recommend least 2 adult partners and this assembly may require up to some 30 minutes to assemble.

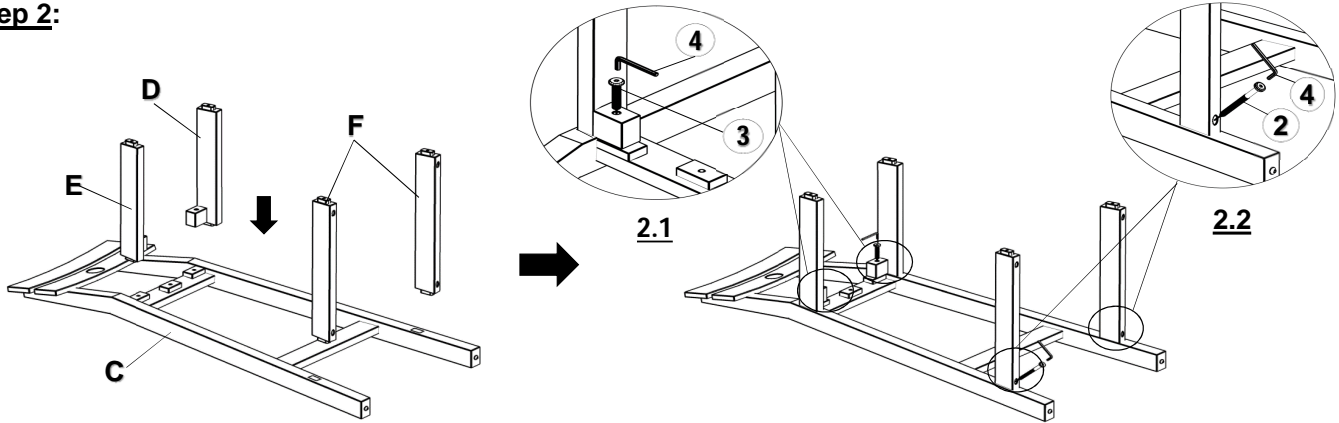
To give you an overview of the Barstool, the above picture is to help you put the various parts into perspective. Please read through the instructions below to familiarise yourself with the parts and steps before assembly.

**Step 1:**



Unpack and place all parts on a clean, non-marring surface.

**Step 2:**



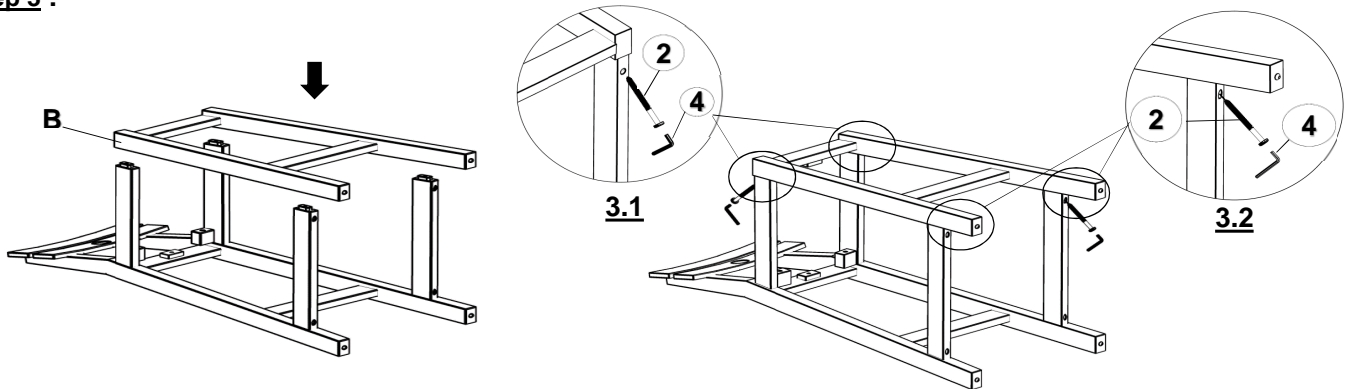
With the help of your adult partner, place the Back Leg Frame(C) facing up on a clean, non-marring surface as shown above,

**2.1:** Attach the Short Support Bar- Right (D) and Short Support Bar- Left ( E ) into the Back Leg Frame (C) by using Bolt (3) and the Allen Wrench (4).

**2.2:** Attach the Long Support Legs(F)into the Back Leg Frame(C)by using Screws(2) and the Allen Wrench(4).

**DO NOT fully tighten the Bolts & Screws.**

**Step 3 :**



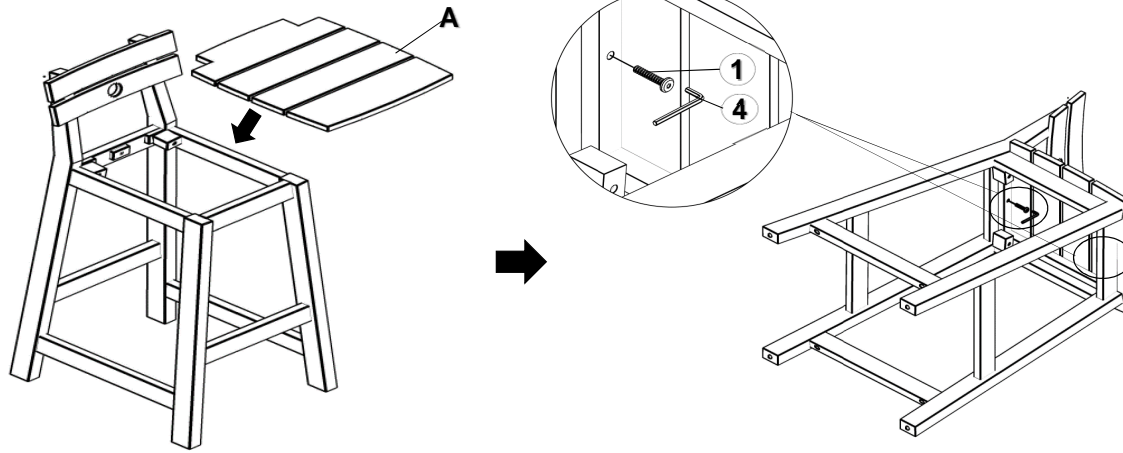
With the help of your adult partner, attach the Front Leg Frame(B) to the assembled part in Step 2 as shown above,

**3.1:** Secure the Front Leg Frame(B) to the Short Support Bar- Right (D) and Short Support Bar- Left ( E ) in Step 3.1 by using Screws(2) and the Allen Wrench (4).

**3.2:** Secure the Front Leg Frame(B) to the Long Support Legs(F) in Step 3.2 by using Screws(2) and the Allen Wrench (4).

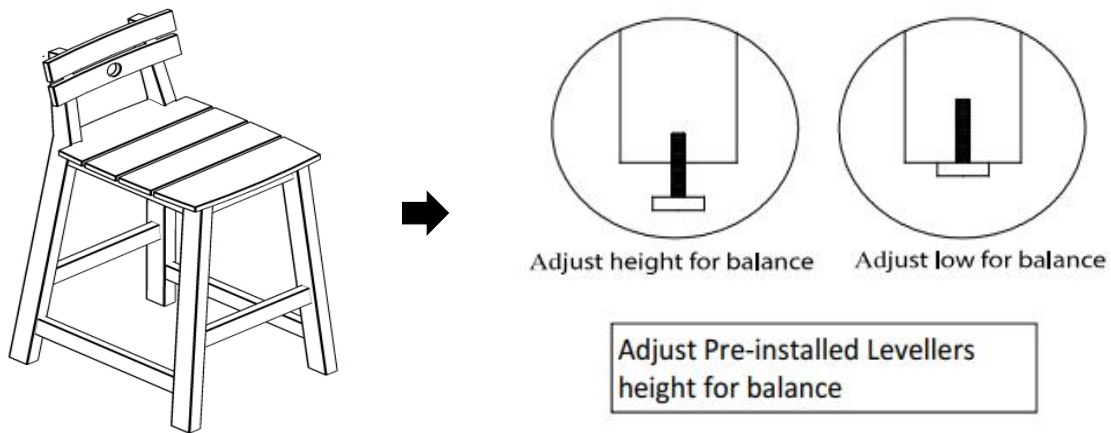
**DO NOT fully tighten the Screws.**

**Step 4:**



Attach the Seat Panel(A) onto the assembled part in Step 4 as shown in the above picture. With assistance from your adult partner, lay down the Barstool as in the above picture, then use the Screws(①) and the Allen Wrench(④) to secure the Seat Panel(A) to the Front Leg Frame(B) and the Back Leg Frame(C). **DO NOT fully tighten the Screws.**

**Step 5:**



With assistance from your adult partner, turn the Barstool right side up.

**Inspect it and make sure all parts are adequately connected.**

Carefully sit onto the Barstool. This pressure will help align all parts at all joints.

Then get off the Barstool and proceed to tighten the Bolts and Screws in a sequential manner.

**When tightening the Bolts and Screws tighten sequentially.**

**DO NOT tighten any Bolt and Screw fully and then move on towards the next one.**

**If there are any wobbles after tightening, loosen the Bolts and Screws and execute this same process.**










Adjust the Levellers until the Barstool is level with the ground.

**To adjust the Levellers, get assistance from an adult partner to lift/lean and hold the Barstool while you are working.**

Your Barstool is ready for use.

**This Barstool can only be used on a flat, level surface.**

## Care & Maintenance:

-  • Do not put hot items directly on furniture surface.
-  • Do not clean furniture with harsh cleansers or polish.
-  • To obtain the longest lifespan of your outdoor products, minimizing exposure to direct sunlight is recommended.
-  • Children should not climb or jump on the furniture.
-  • Do not write on furniture without a padded barrier to protect the surface.
-  • To obtain the longest lifespan of your outdoor products, avoid extended and lengthy exposure to rain, snow, and direct sunshine. Whenever possible cover the product and /or place under patio or awnings.
-  • Not for commercial use. For residential use only.
-  • Stains may be removed with mild soap solution and damp cloth.
-  • Dust and pick-up spills using a clean, non-colored, lint- free cloth.